

Code of Practice

Design, detailing and workmanship shall be according to the Jordanian Code for Plain and Reinforced Concrete JBC5-93 ACI

Dimensions

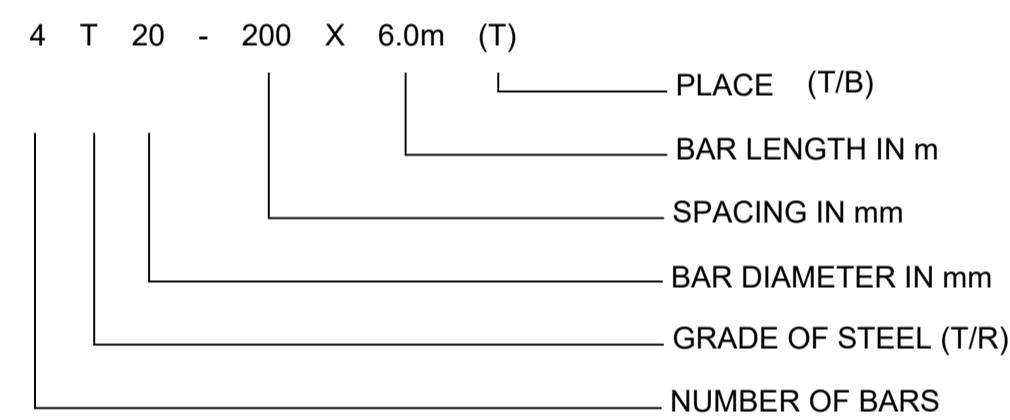
Dimensions are as shown

Drawings

- Structural drawings shall be read in conjunction with Architectural, Mechanical and Electrical drawings.
- Sleeves and openings smaller than 200x200 mm are not shown on the Structural drawings. For required openings refer to Architectural, Mechanical and Electrical drawings.
- Contractor shall prepare working drawings and bar bending schedules for reinforcement in a format agreed with the engineer.
- Drawings are not necessarily to scale.
- Chamfers for fair faced concrete are not shown on Structural Drawings. Reference should be made to Architectural details for such purpose.

Notation

T	TOP BARS
B	BOTTOM BARS
BOF	BOTTOM LEVEL OF FOOTING
T.O.F	TOP LEVEL OF FOOTING
EF	EACH FACE
EW	EACH WAY
S	STIRRUPS
T	HIGH YIELD BARS
R	MILD STEEL BARS
S.S	SOLID SLAB
S.O.G	SLAB ON GRADE
S.S.L	TOP LEVEL OF STRUCTURAL SLAB
EXP. J.	EXPANSION JOINT
C1	COLUMN NUMBER 1
B1	BEAM NUMBER 1
F1	FOOTING NUMBER 1
NTS	NOT TO SCALE
TYP	TYPICAL
T&B	TOP AND BOTTOM



Earthquake Resistance

Earthquake Resistance Design is in accordance with Jordanian seismic code Zone 2A. Lateral Stability is provided by Shear Walls and Shear Cores. Importance factor I=1 and soil Profile is as given in soil report.

DEAD LOADS AND MATERIAL OWN WEIGHTS:

REINFORCED CONCRETE	24 kN /m ³
STRUCTURAL STEEL	78.5 kN /m ³
CONCRETE BLOCK	16.5 kN /m ³
SATURATED SOIL	20 kN /m ³
CERAMIC TILE	0.80 kN /m ²

LIVE LOADS

According to Jordanian Code of Loads and Forces,2006. Live loads for educational building.

Future Expansion

Structural Design has been made for one additional story.

Future Expansion

Structural Design has been made for a total of 4 stories .

Reinforced Concrete

Compressive strength of concrete, Fcu, as defined by a standard 150mm cube at 28 days shall be:

- 30 MPa : for slabs,beams & foundations,retaining walls, and site structures
- 35 MPa: or columns,shearwalls & water tank.
- 20 MPa: for slabs on grade & Cyclopean concrete & Mass concrete.
- 15 MPa: for blinding.

Cement content shall be determined by design mix to approved: by the consultant and shall not be less than:

- 15 MPa : 220kg/m³
- 20 MPa : 275kg/m³
- 30 MPa : 300kg/m³
- 35 MPa : 325kg/m³

Water-Cement ratio shall be not more than:

- 15 MPa : 1.0
- 20 MPa : 0.75
- 30 MPa : 0.60
- 35 MPa : .55

Cement:

Ordinary portland cement shall be used for reinforced and unreinforced concrete elements.

Cover

Clear concrete cover to reinforcement shall be:

- 70 mm for concrete in contact with soil or blinding.
- 50 mm for concrete surface in contact with water.
- 40 mm for external basement walls.
- 40 mm for concrete columns and beams.
- 25 mm for concrete slabs, stairs and walls.

Foundations

The footings are designed on bearing Capacity equal to 230 kPa; in accordance with Geotechnical Investigation Report No. S17000152 Prepared by the Arab Center For Engineering Studies (28,November, 2017) The Contractor shall ensure that the foundation layer possesses this allowable capacity.

it is recommended to lay the building foundations directly on Intercalated Materials. These foundation grounds are suitable to support the imposed loads for any shallow foundation system such as individual footings with tie beams, strip footing and/or raft foundations. However, the native ground should be well compacted using proper roller. regardless, the foundation should never be laid on the existing fill and mixture material. the minimum foundation embedment depth may vary according to the architectural requirements.

CONTRACTOR SHALL VERIFY THE BEARING CAPACITY AND THE DEPTH OF FOUNDATION BEFORE CONSTRUCTION

Radii of Bending

Minimum Radius of Bend for Top Bars at Suppot and U Bars shall be as follows. For other bars, minimum radius of bend shall equal to 2 times bar size for Mild Steel and 3 times bar size for High-yield Steel.

BAR DIAMETER (mm)	MINIMUM r (mm)
8	51
10	66
12	81
14	98
16	115
18	134
20	153
22	175
25	205
32	287

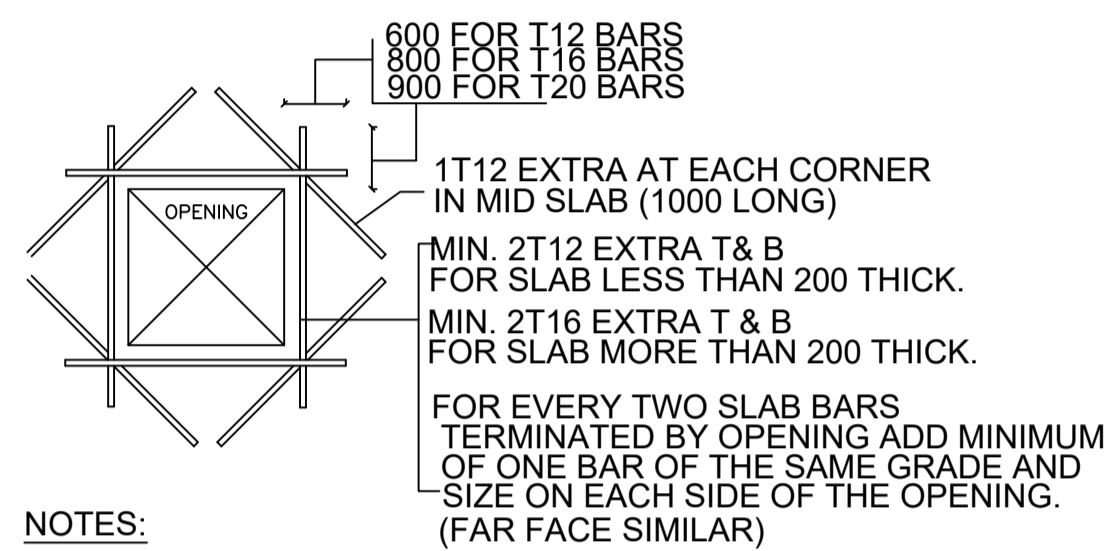
If sufficient room does not exist for Bars to extend 25 times the bar size beyond the bend, a 180 degree hook shall be made.

U Bars shall have legs of equal length, unless indicated otherwise.

Reinforcement

- All reinforcing bars shall be deformed high strength steel bars of Characteristic Strength equal to:
 - f_y=420 MPa. for main steel denoted by T
 - f_{yv}=420 MPa. for stirrups denoted by R.
- Reinforcement shall comply with Jordanian standards
- Reinforcement shall be placed as shown on the drawings and in the lengths specified.
- Where bar length is not specified, longest practicable bar length shall be employed with staggered lap splices. Lap length shall be 55 times bar diameter.
- Bar crank shall not exceed 1:12.
- Beam reinforcement in multiple layers shall have 25mm spacer bars.

FOR SLAB OPENINGS

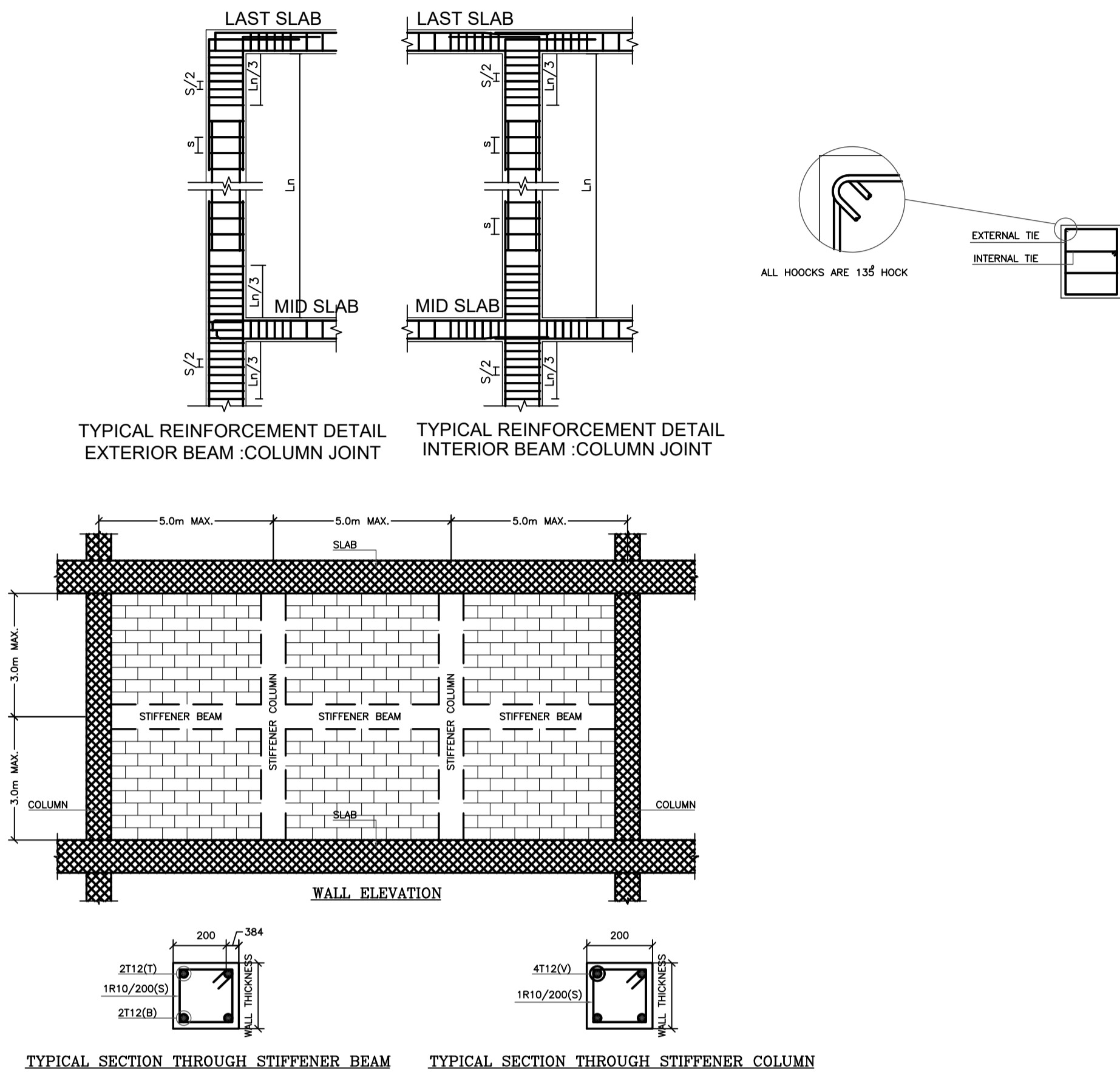


NOTES:

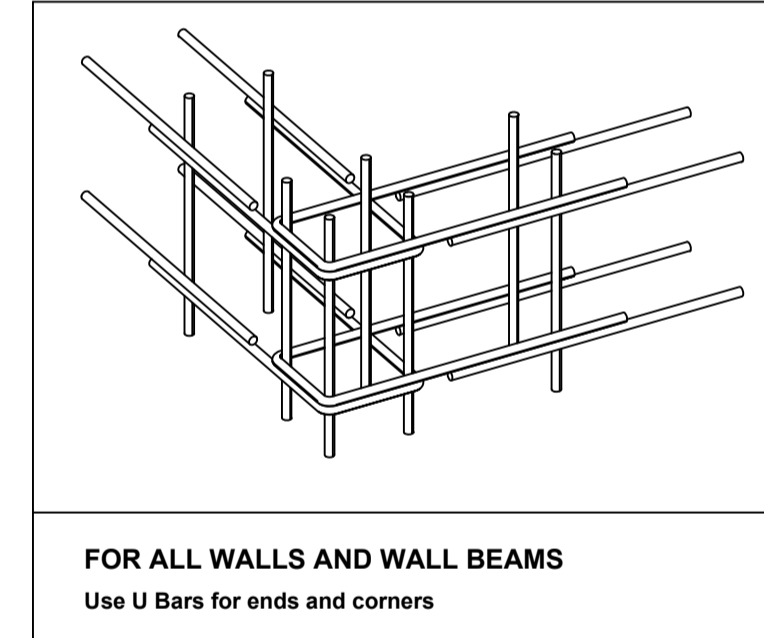
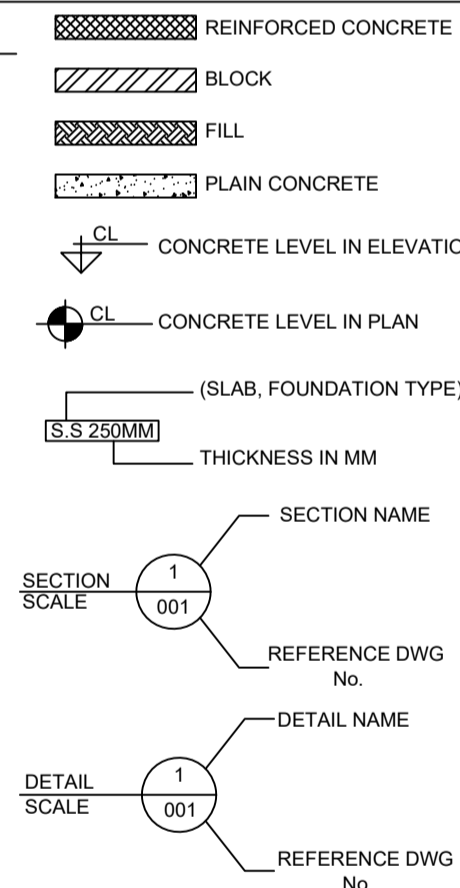
- FOR OPENINGS LESS THAN 200 x 200 (OR 200 DIA.) REGULAR REINFORCING BARS TO BE RE-ARRANGED AROUND THE OPENING.
- FOR OPENINGS GREATER THAN 200 x 200 (OR 200 DIA.) & EQUAL OR LESS THAN 1000x1000 USE ABOVE DETAILS UNLESS ADDITIONAL TRIMMING BARS ARE SHOWN ON THE PLAN.
- WHERE AN OPENING EDGE ALIGNS WITH THE SIDE OF A BEAM - OMIT THE ADDITIONAL BARS SHOWN, FROM THAT EDGE.
- OTHER DETAILS APPLY FOR HEXAGONAL AND OCTAGONAL OPENINGS.

RECTANGULAR OR SQUARE SLAB OPENING NTS

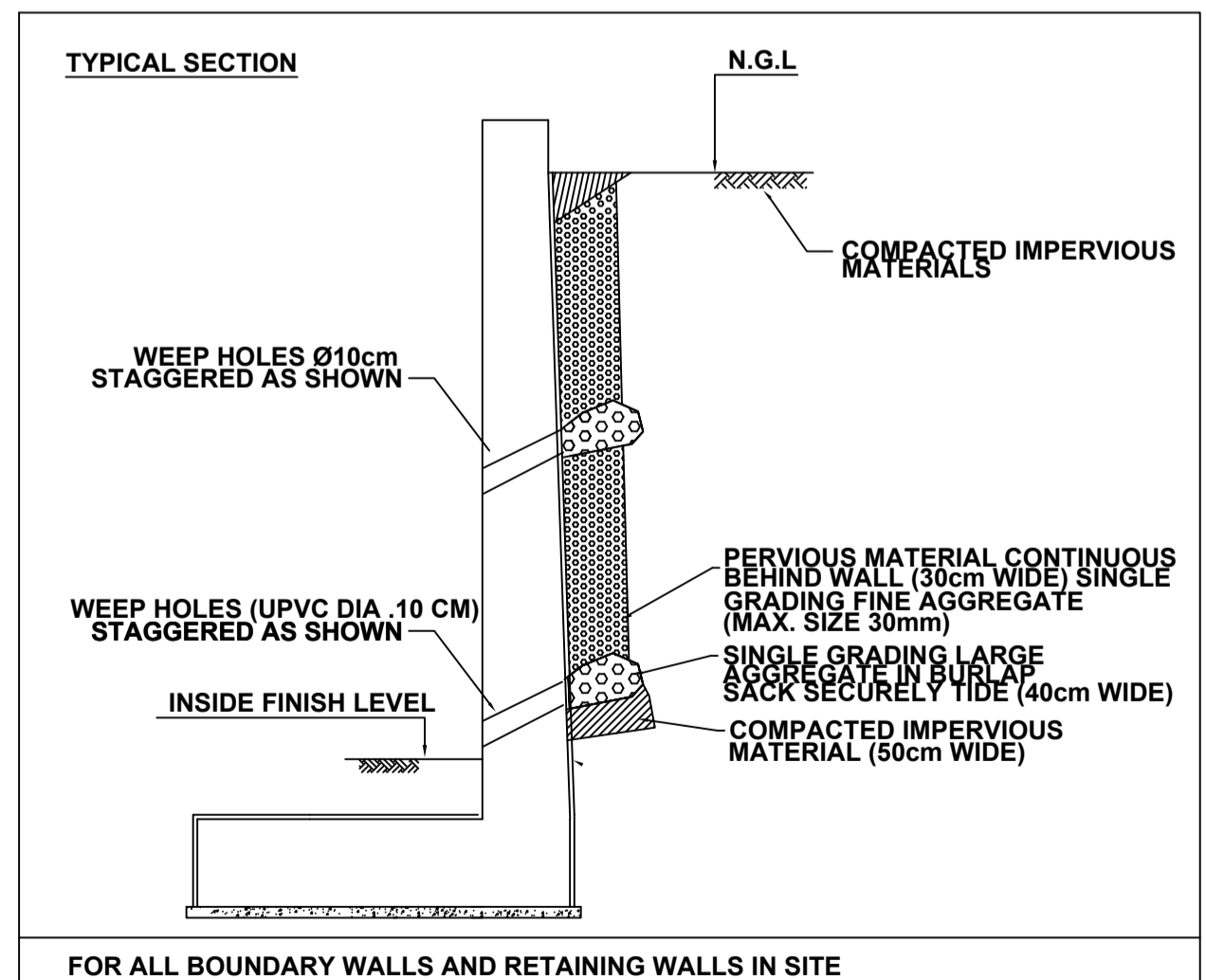
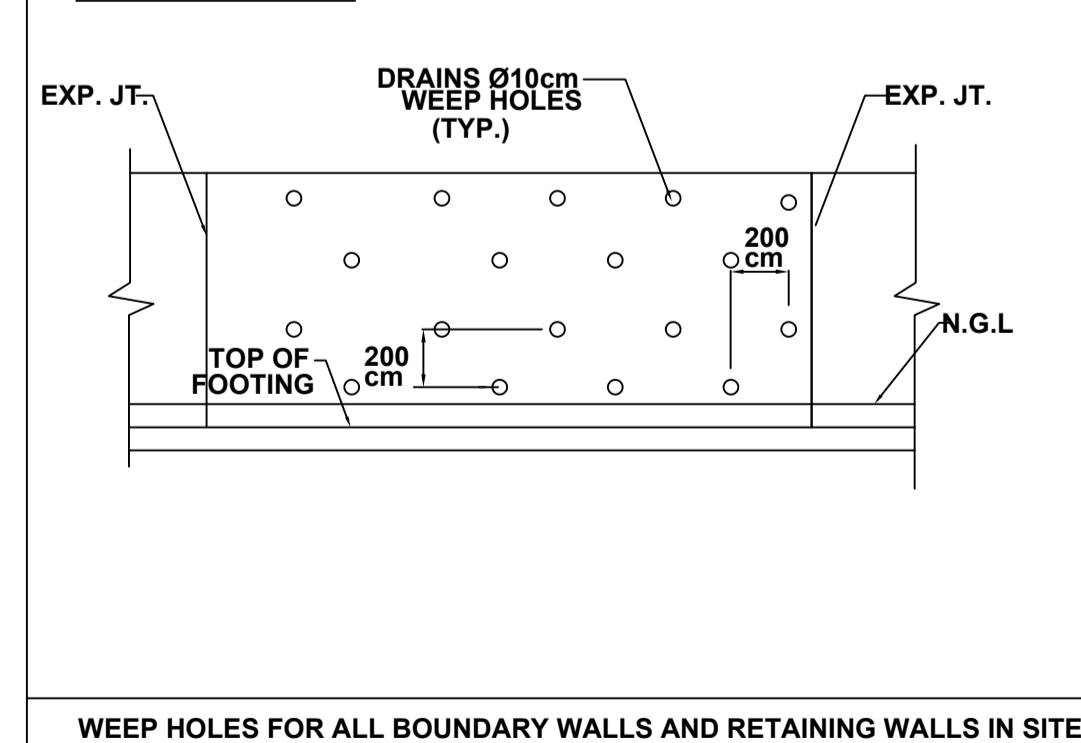
DETAILS



SYMBOLS



TYPICAL ELEVATION

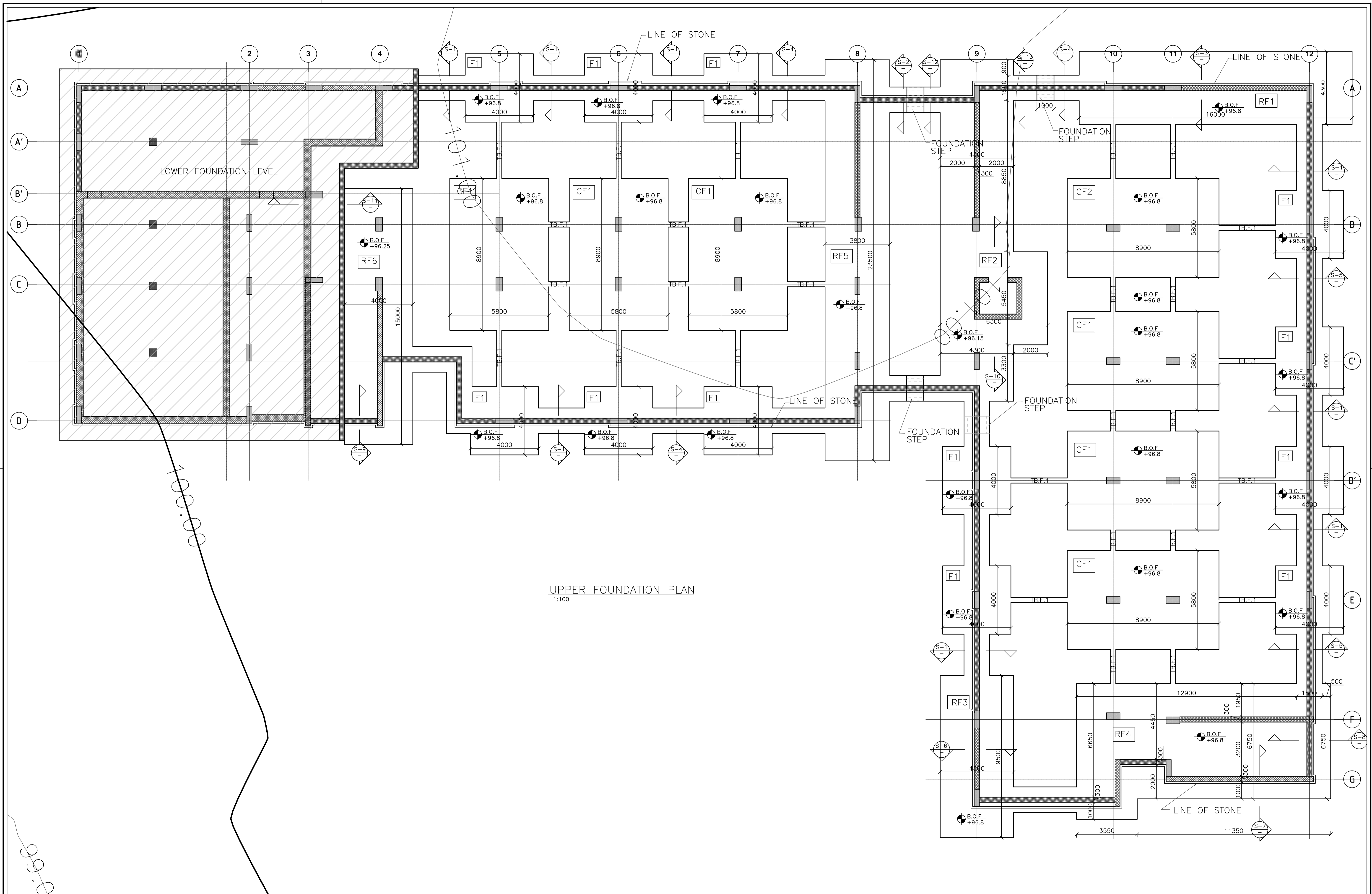


REV.	DATE	REMARKS



Jumana Bint Abi Taleb Basic Mixed School (Amman- Marka)
SCHOOLS FOR A KNOWLEDGE ECONOMY PROJECT (USAID SKEP)

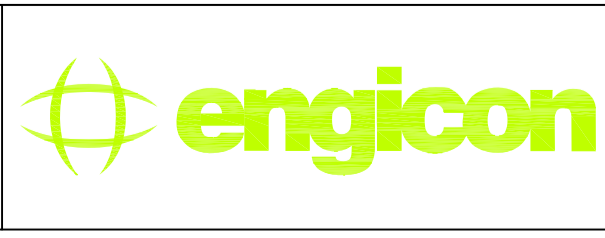
DESIGN: A.KH.	DRAWN: CAD	CHECKED: R.K	NORTH: [Symbol]
SCALE: N.T.S	DATE: MAY 2019	APPROVED: W.Z.	
PLOT No: 1496	LOCATION: Marka	BASIN NO: 1 Hanao Al Kassar	DRAWING NUMBER: SKPE-18-SG-001
			Rev.: 0



UPPER FOUNDATION PLAN
1:100

REV.	DATE	REMARKS

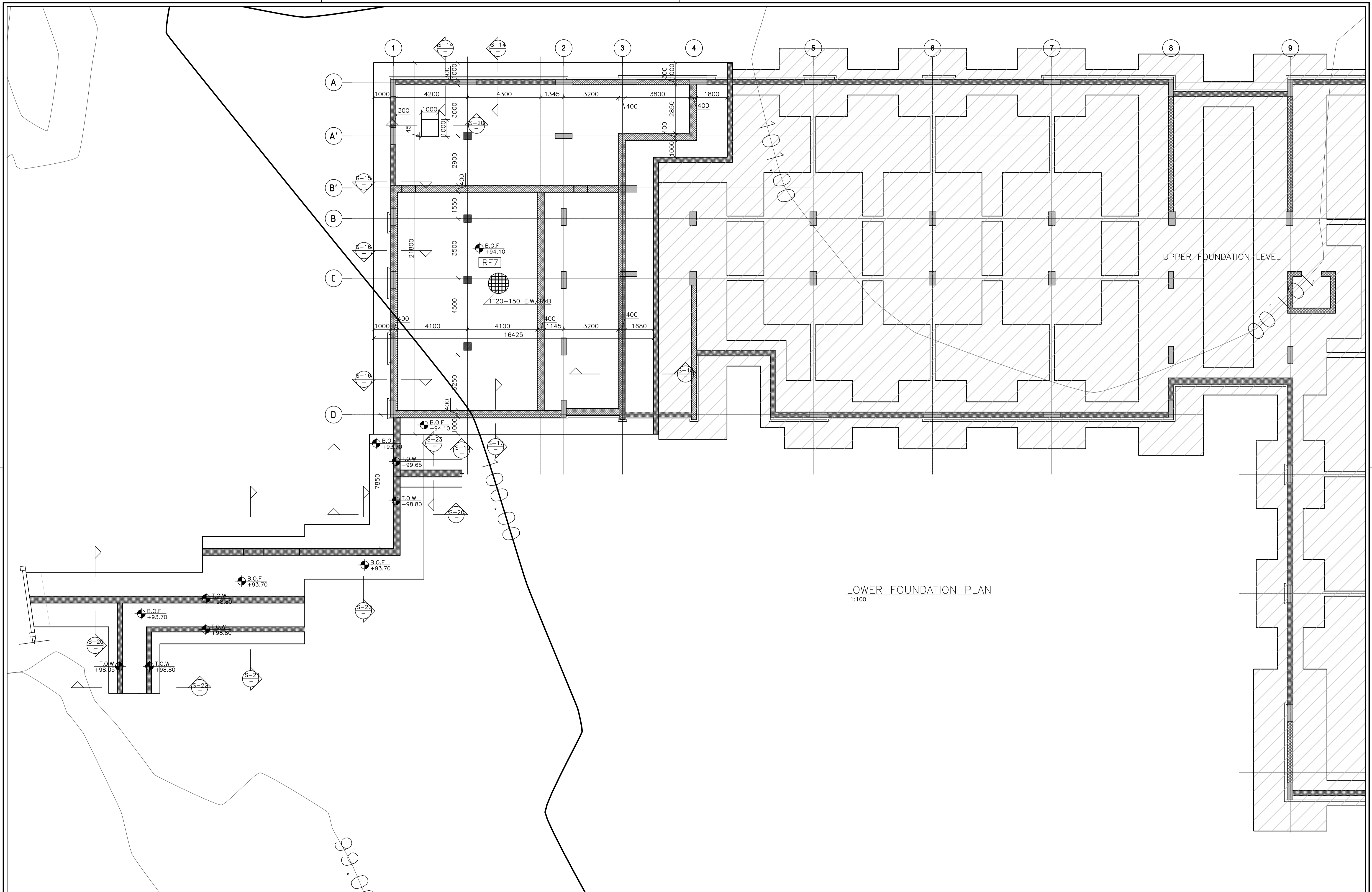
NOTES:



Jumana Bint Abi Taleb Basic Mixed School
(Amman- Marka)
SCHOOLS FOR A KNOWLEDGE ECONOMY
PROJECT (USAID SKEP)

DRAWING NAME: UPPER FOUNDATION PLAN		
DESIGN: A.KH.	DRAWN: CAD	CHECKED: R.K
SCALE: 1:100	DATE: MAY 2019	APPROVED: W.Z.
PLOT No: 1496	LOCATION: Marka	BASIN NO: 1 Hanao Al Kassar

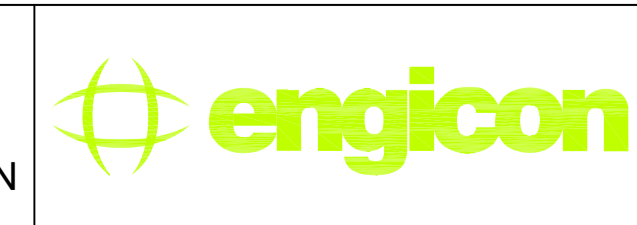
DRAWING NUMBER: SKEP-18-SFP-100	Rev.: 0
------------------------------------	---------



LOWER FOUNDATION PLAN
1:100

REV.	DATE	REMARKS

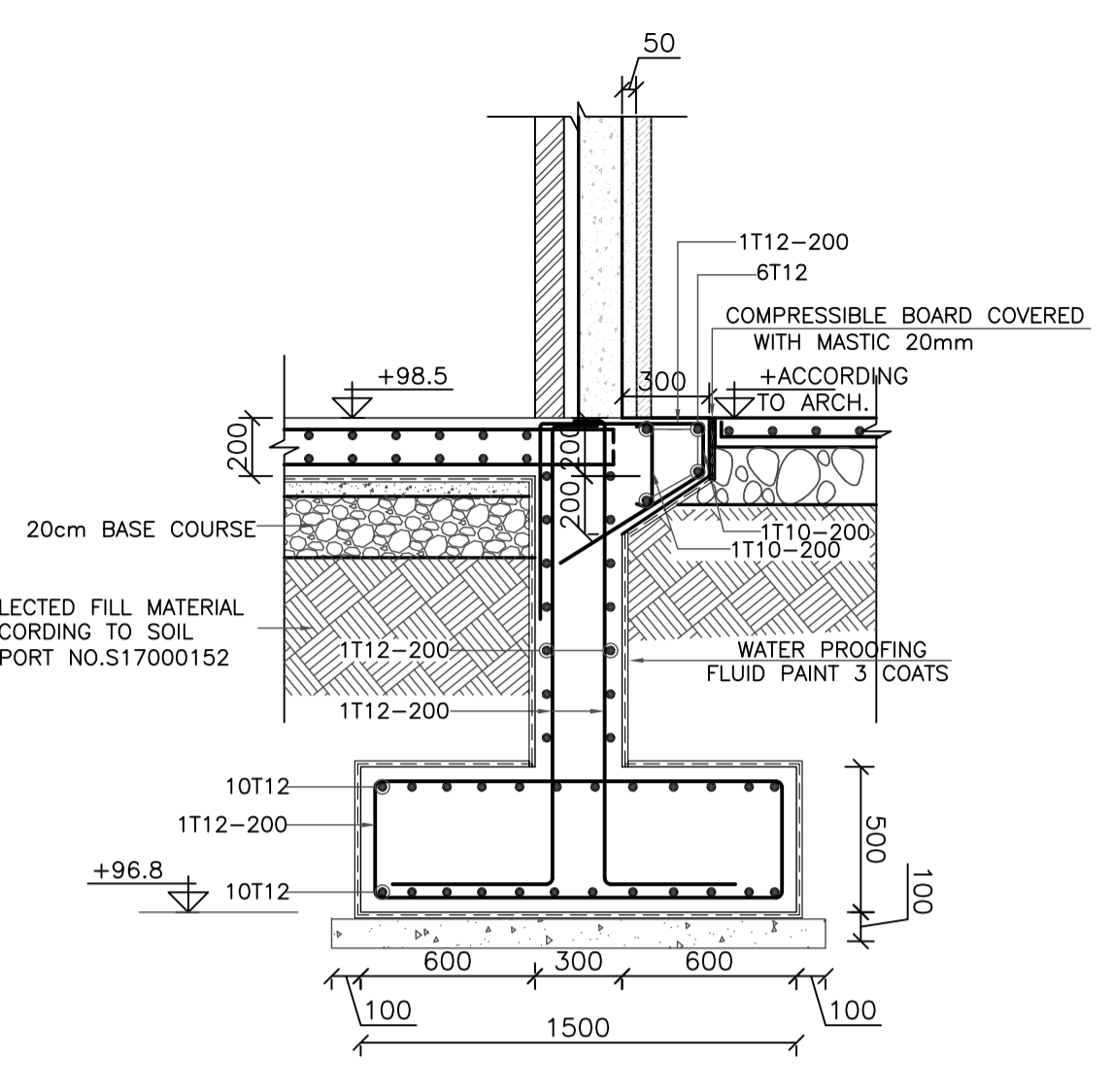
NOTES:



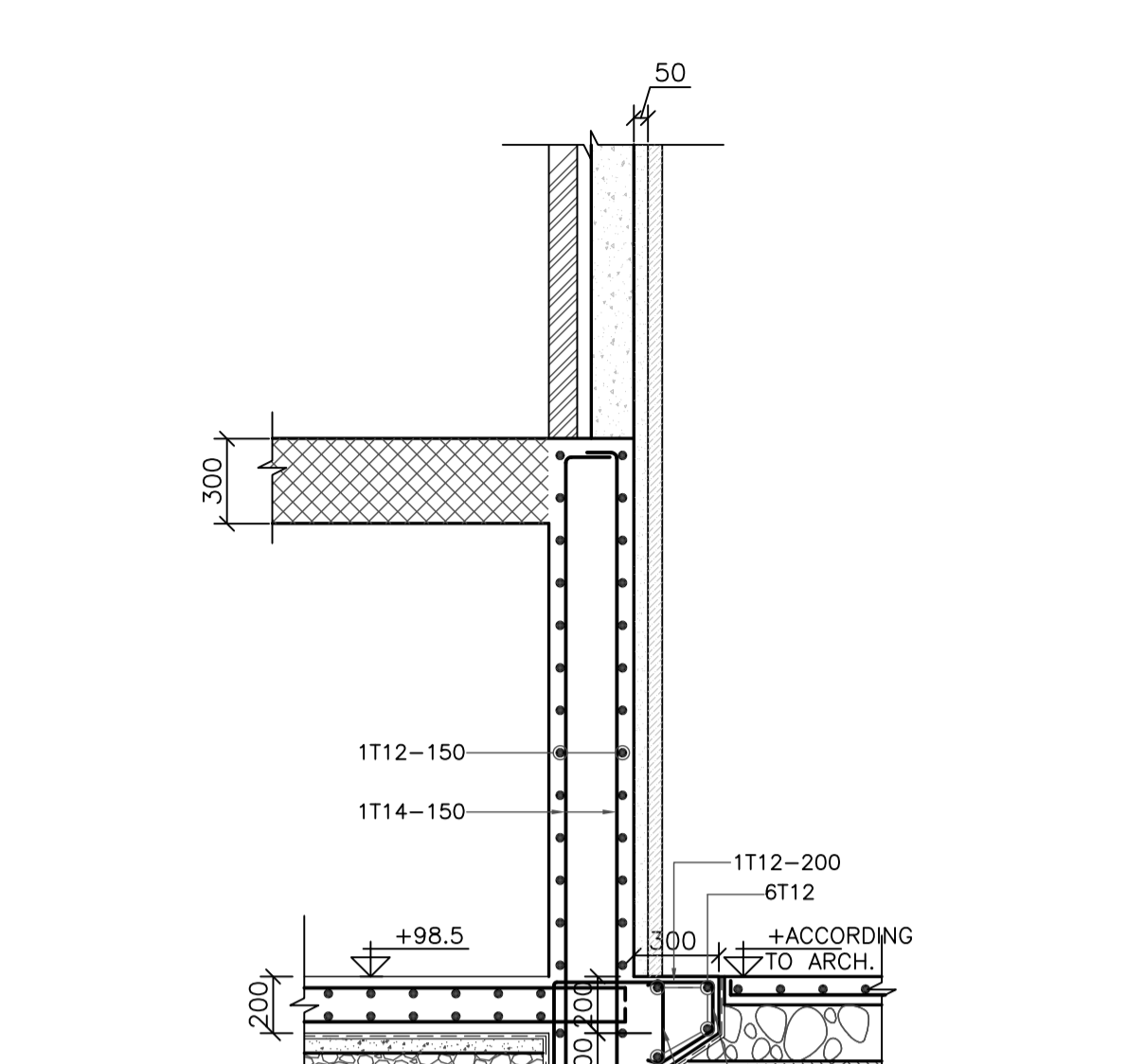
Jumana Bint Abi Taleb Basic Mixed School
(Amman- Marka)
SCHOOLS FOR A KNOWLEDGE ECONOMY
PROJECT (USAID SKEP)

DRAWING NAME: LOWER FOUNDATION PLAN		
DESIGN: A.KH.	DRAWN: CAD	CHECKED: R.K
SCALE: 1:100		
DATE: MAY 2019	APPROVED: W.Z.	
PLOT No: 1496	LOCATION: Marka	BASIN NO: 1 Hanao Al Kassar

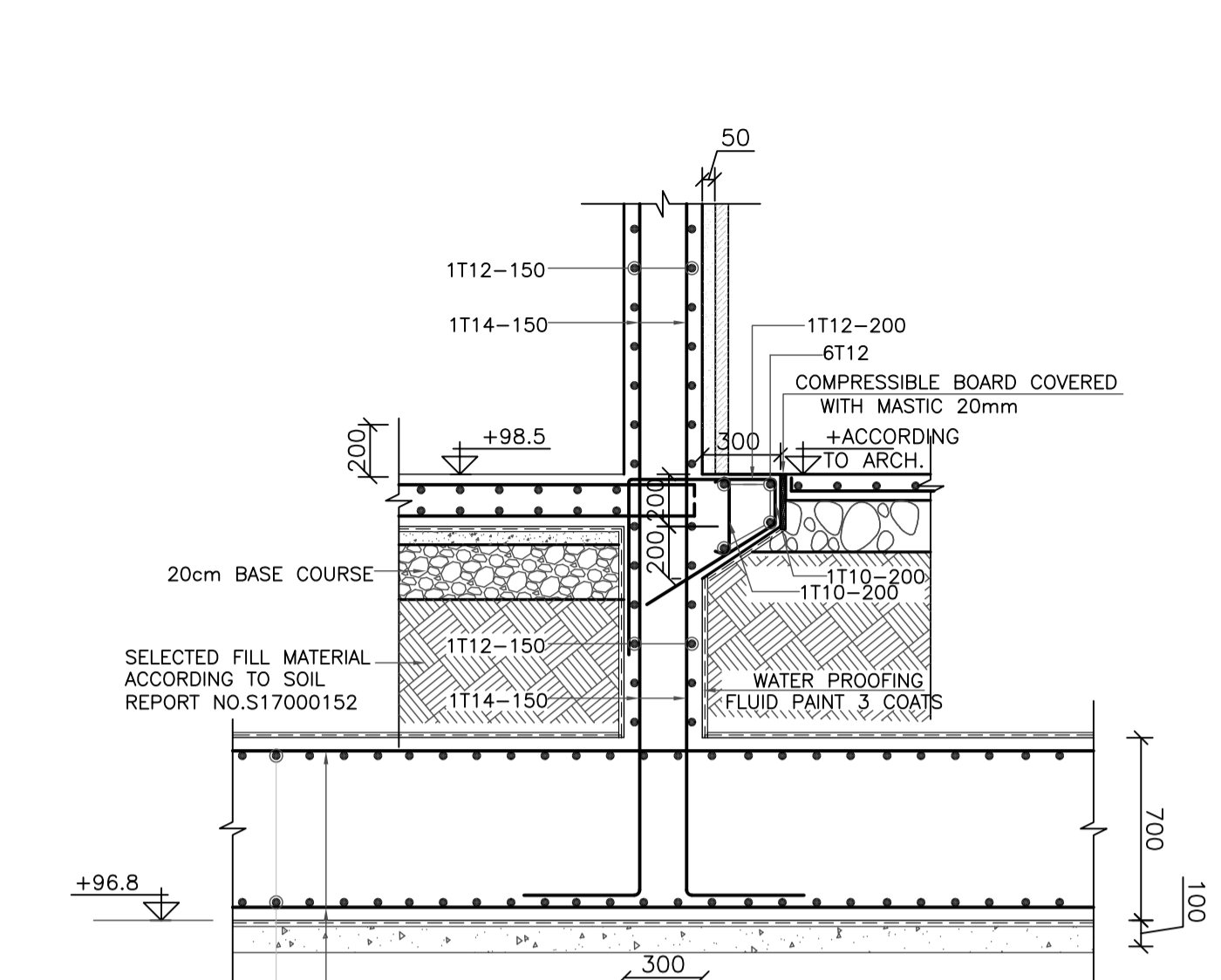
DRAWING NUMBER: SKEP-18-SFP-101		
Rev.:	0	North:



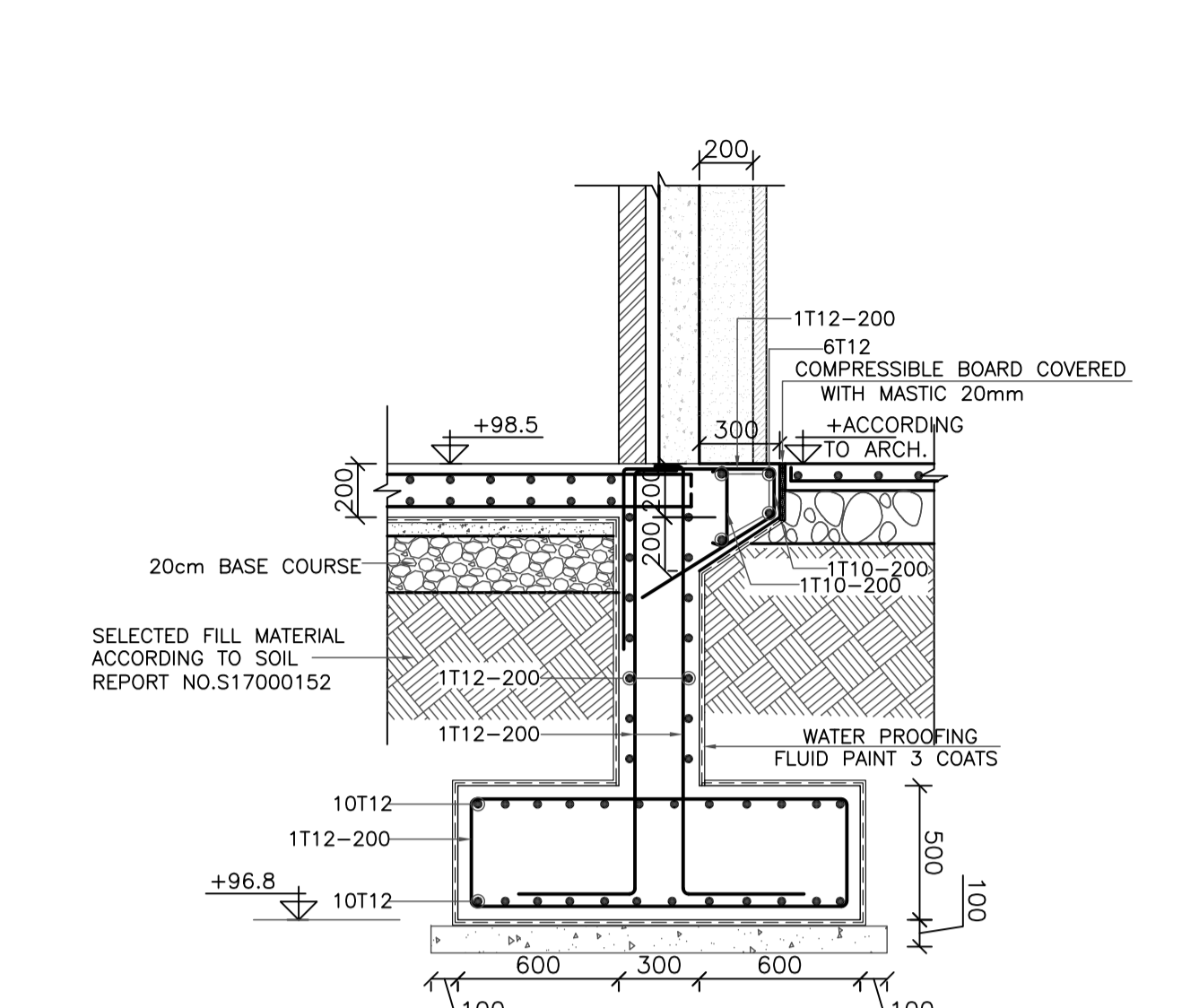
SECTION S-1
1:25



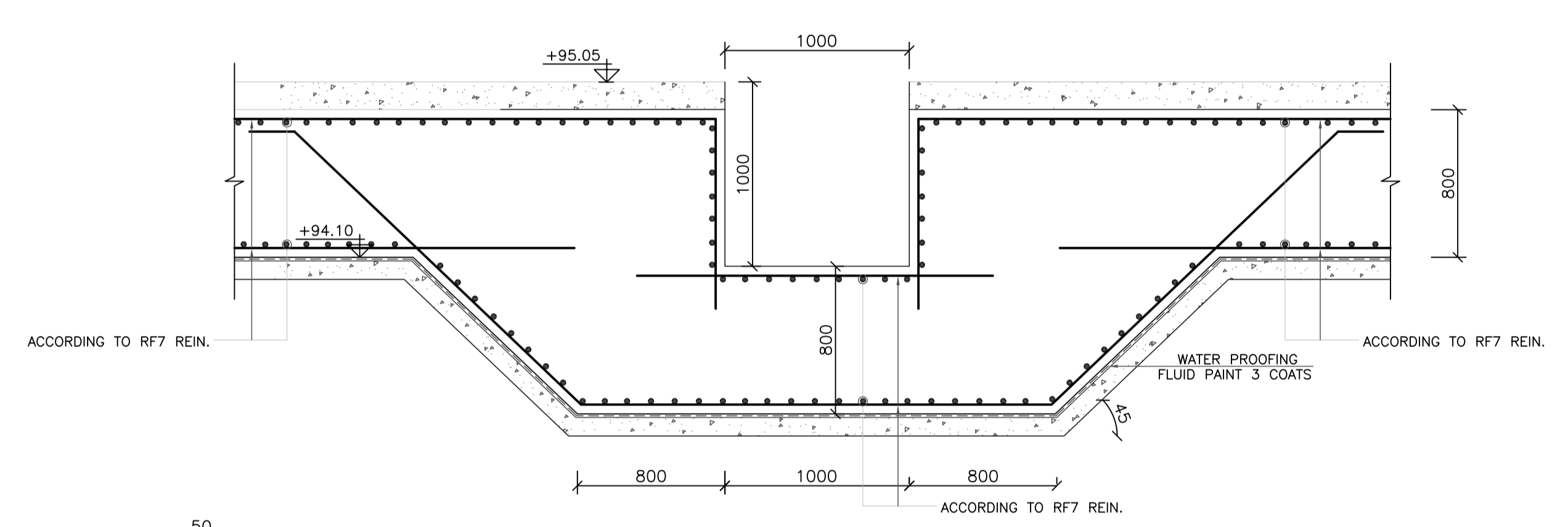
SECTION S-2
1:25



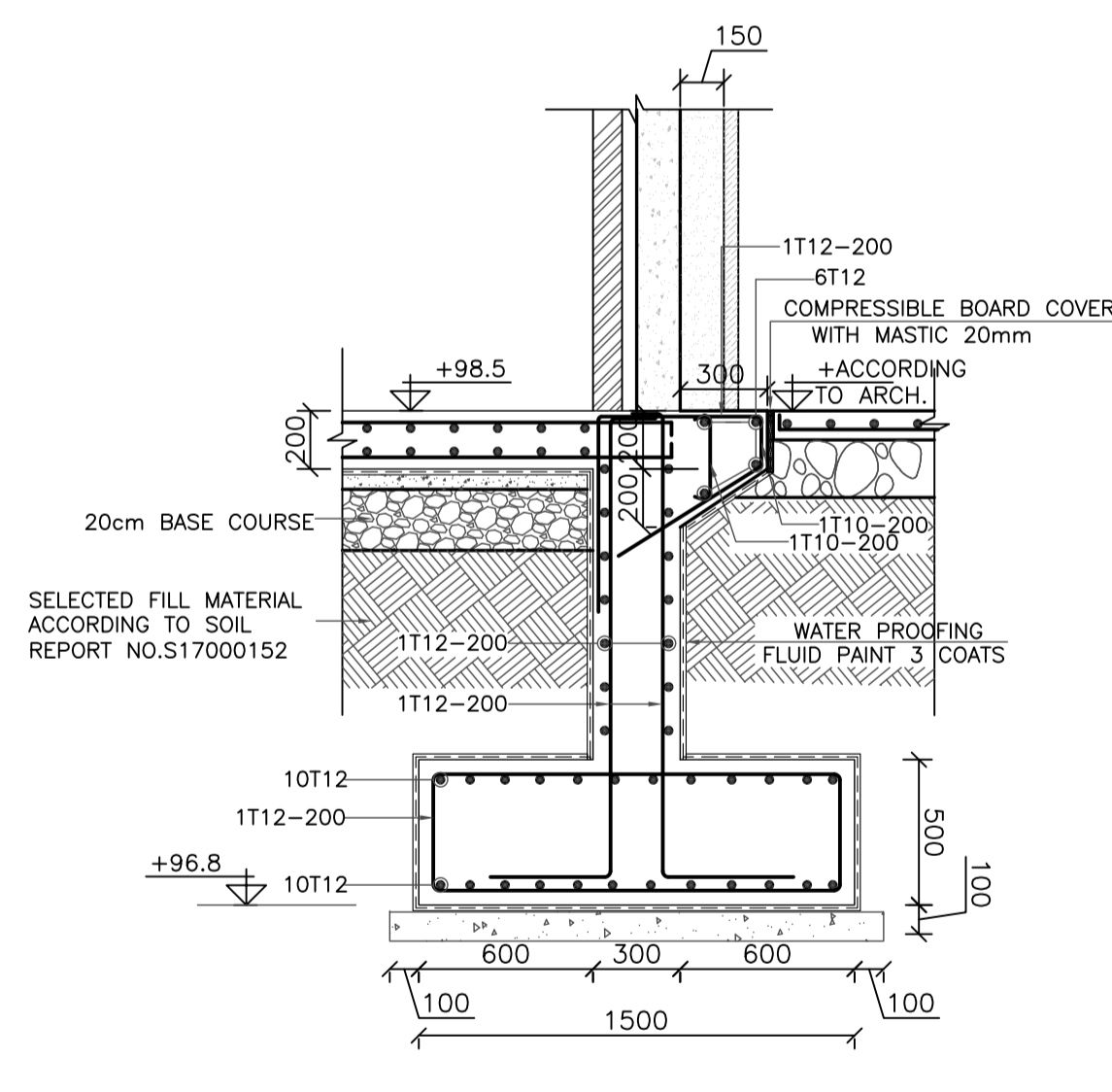
SECTION S-3
1:25



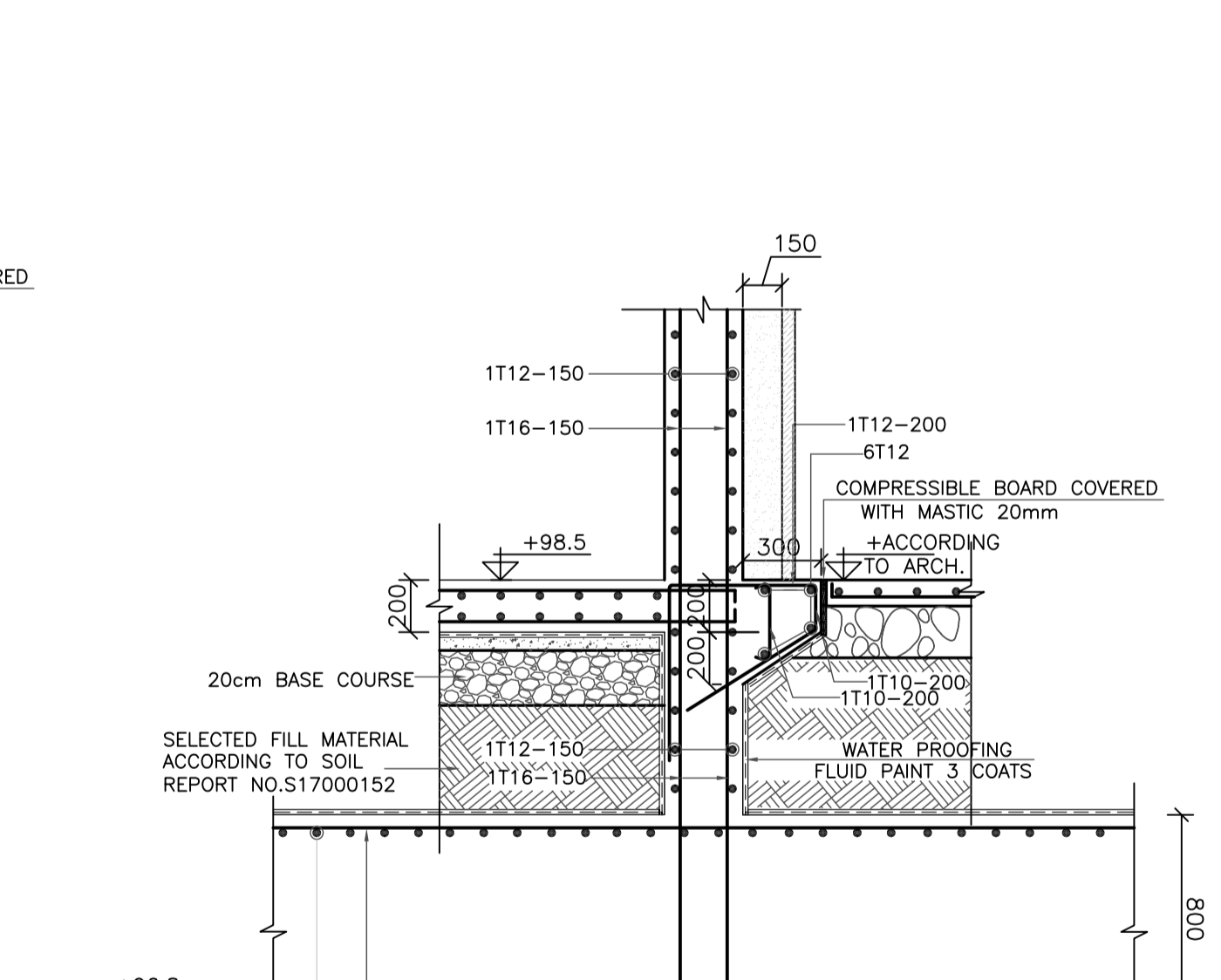
SECTION S-4
1:25



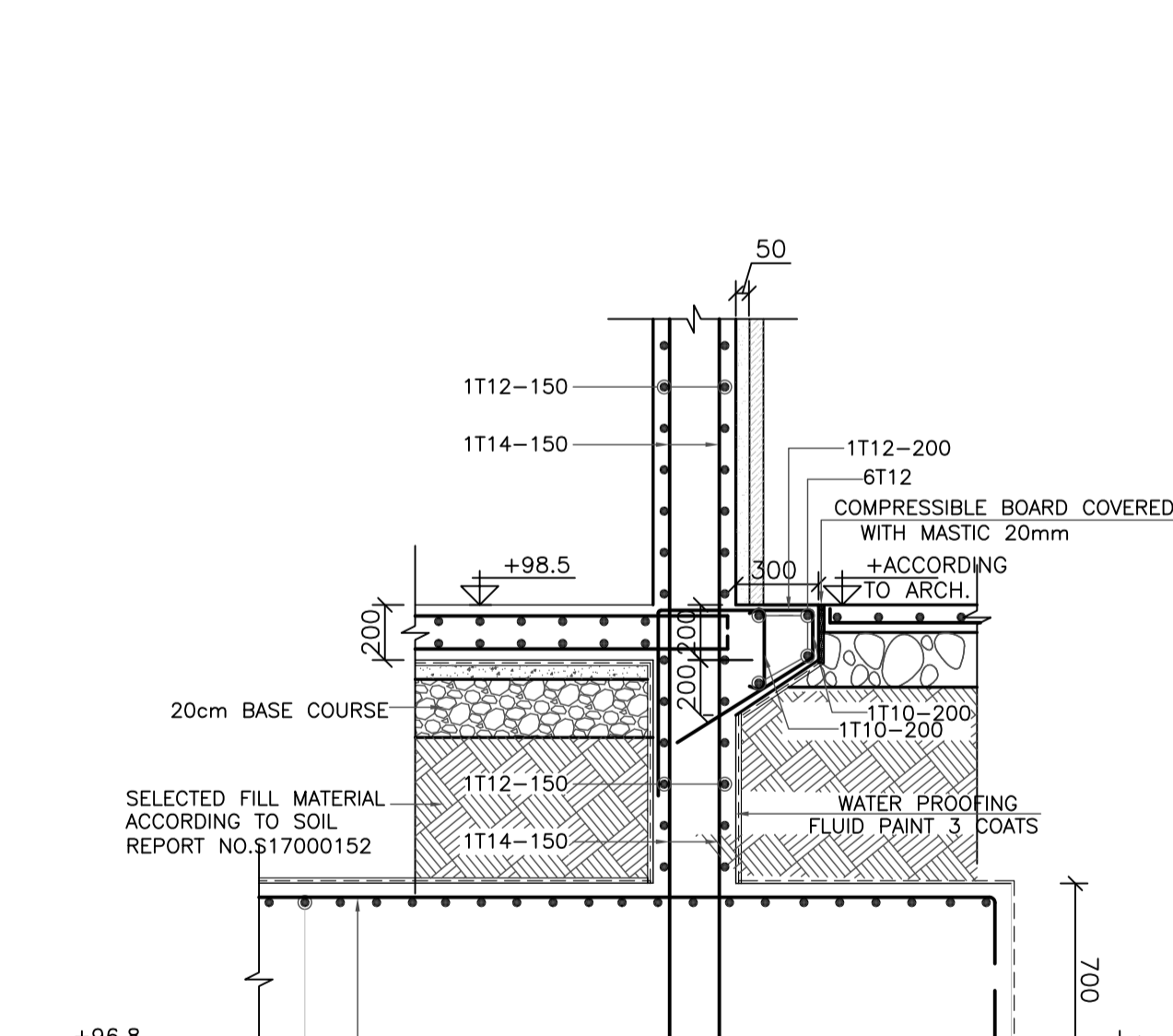
SECTION S-20
1:25



SECTION S-5
1:25



SECTION S-6
1:25



SECTION S-7
1:25

REV.	DATE	REMARKS

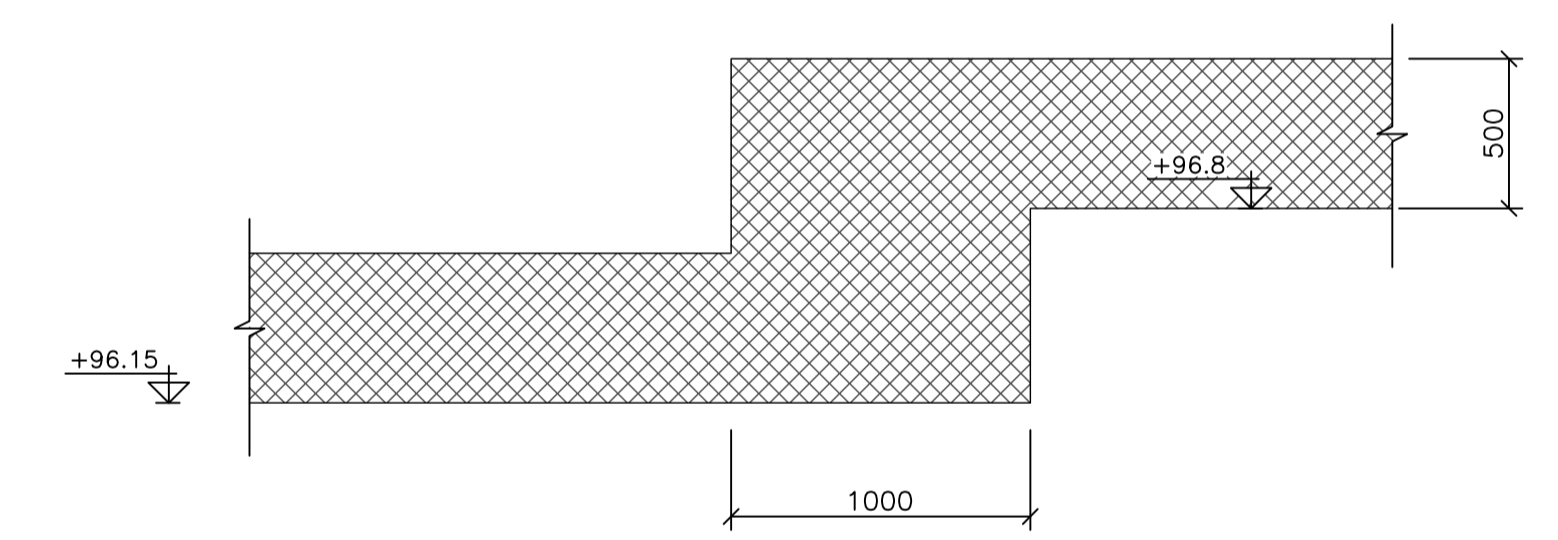
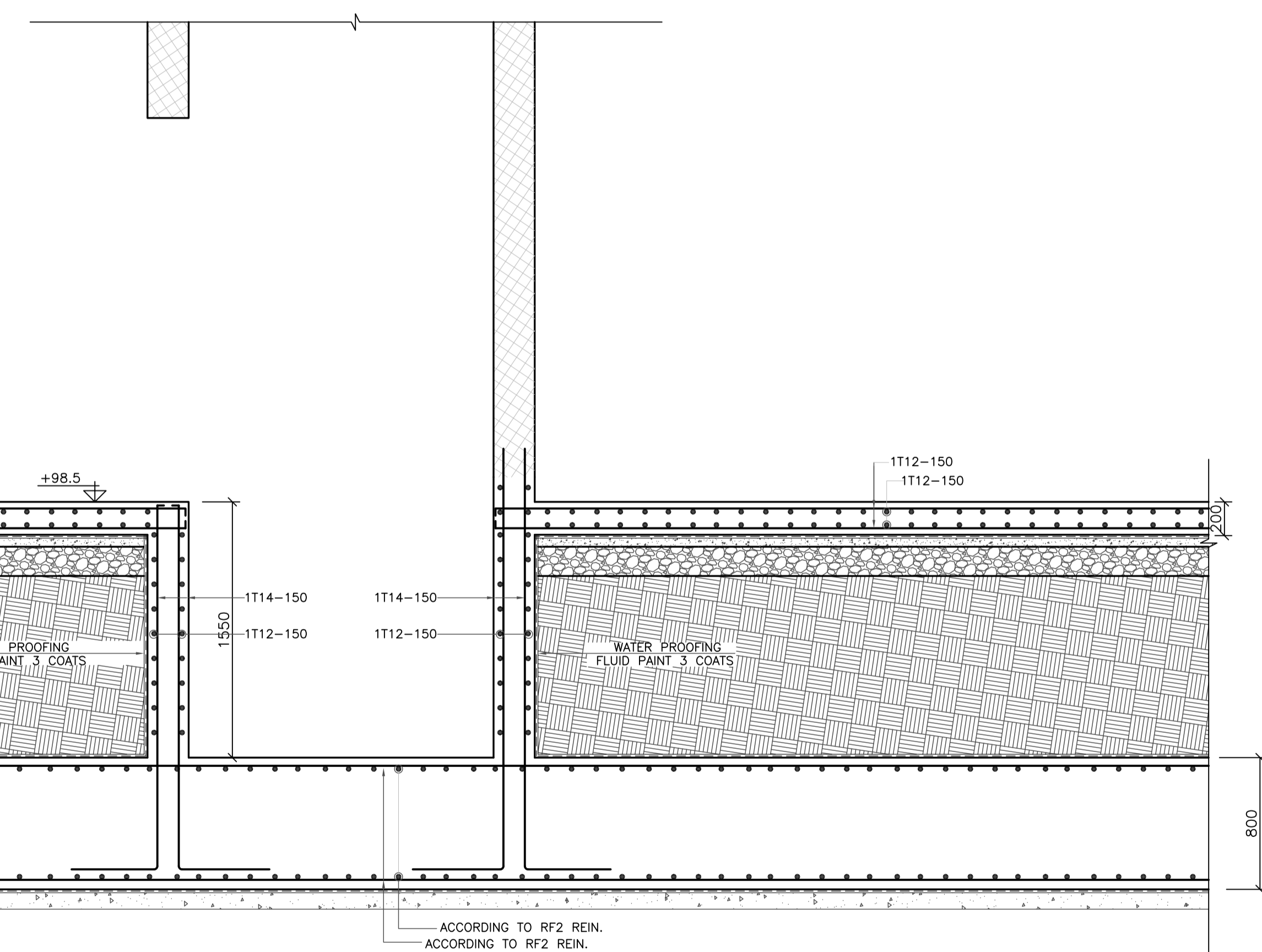
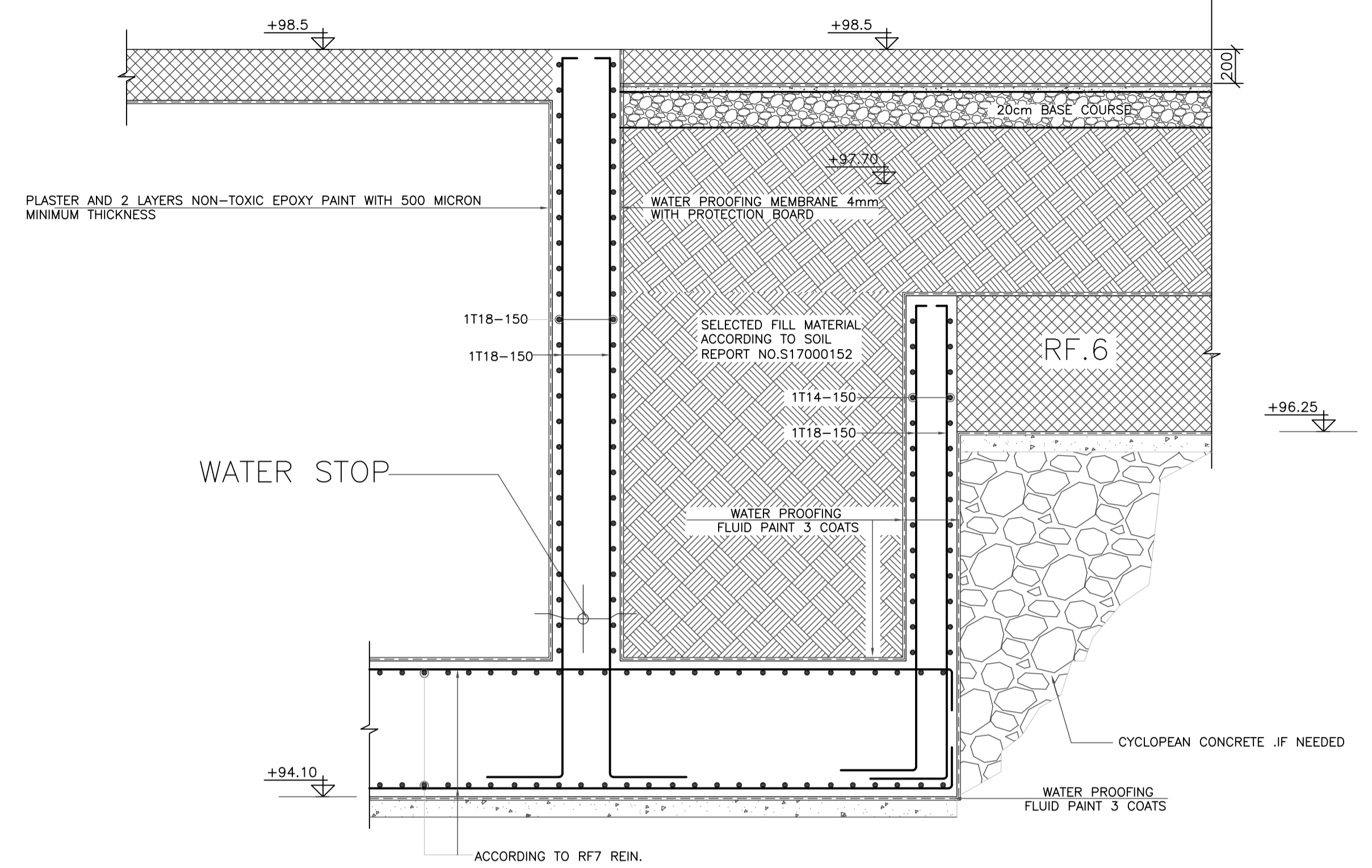
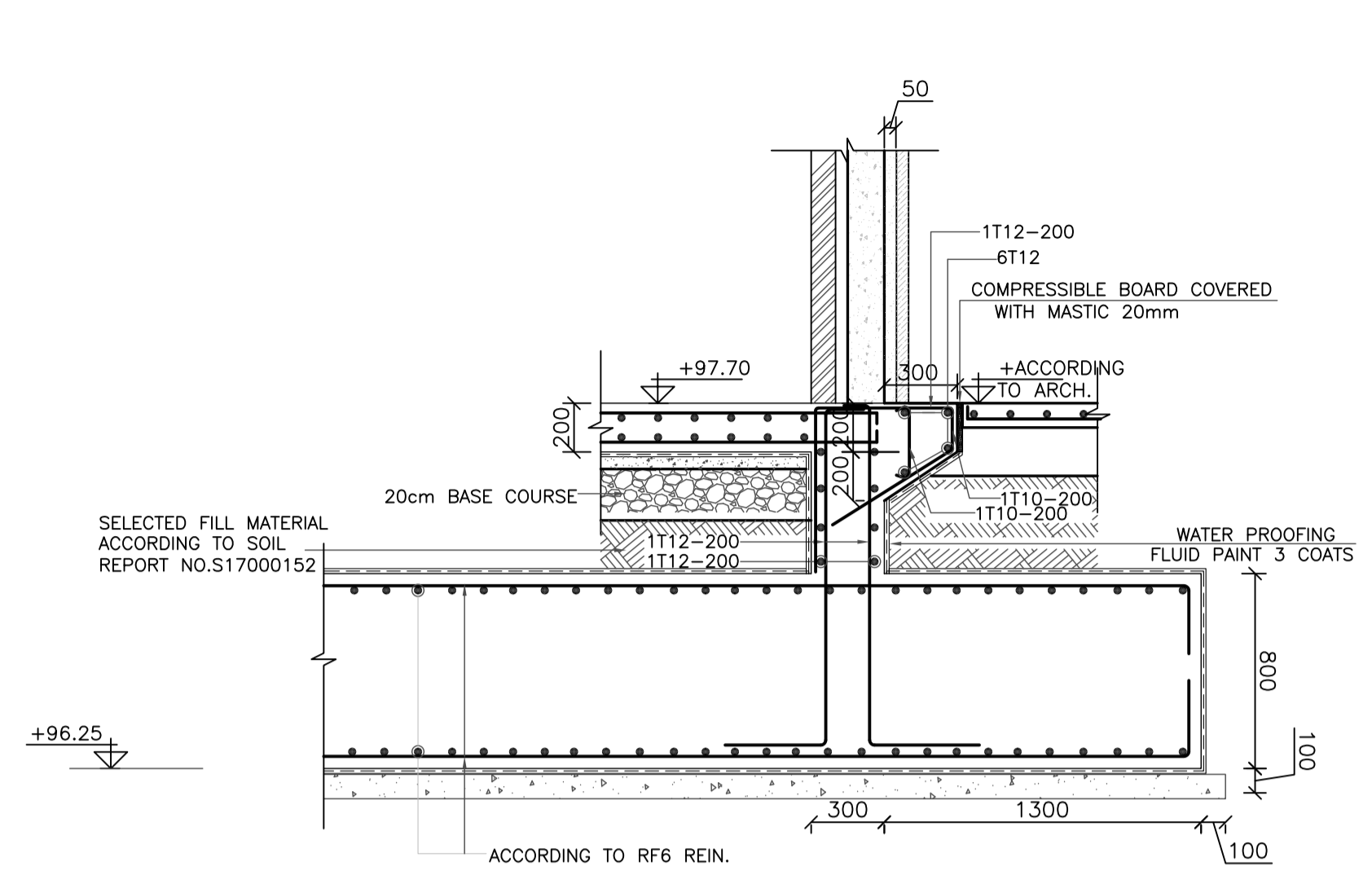
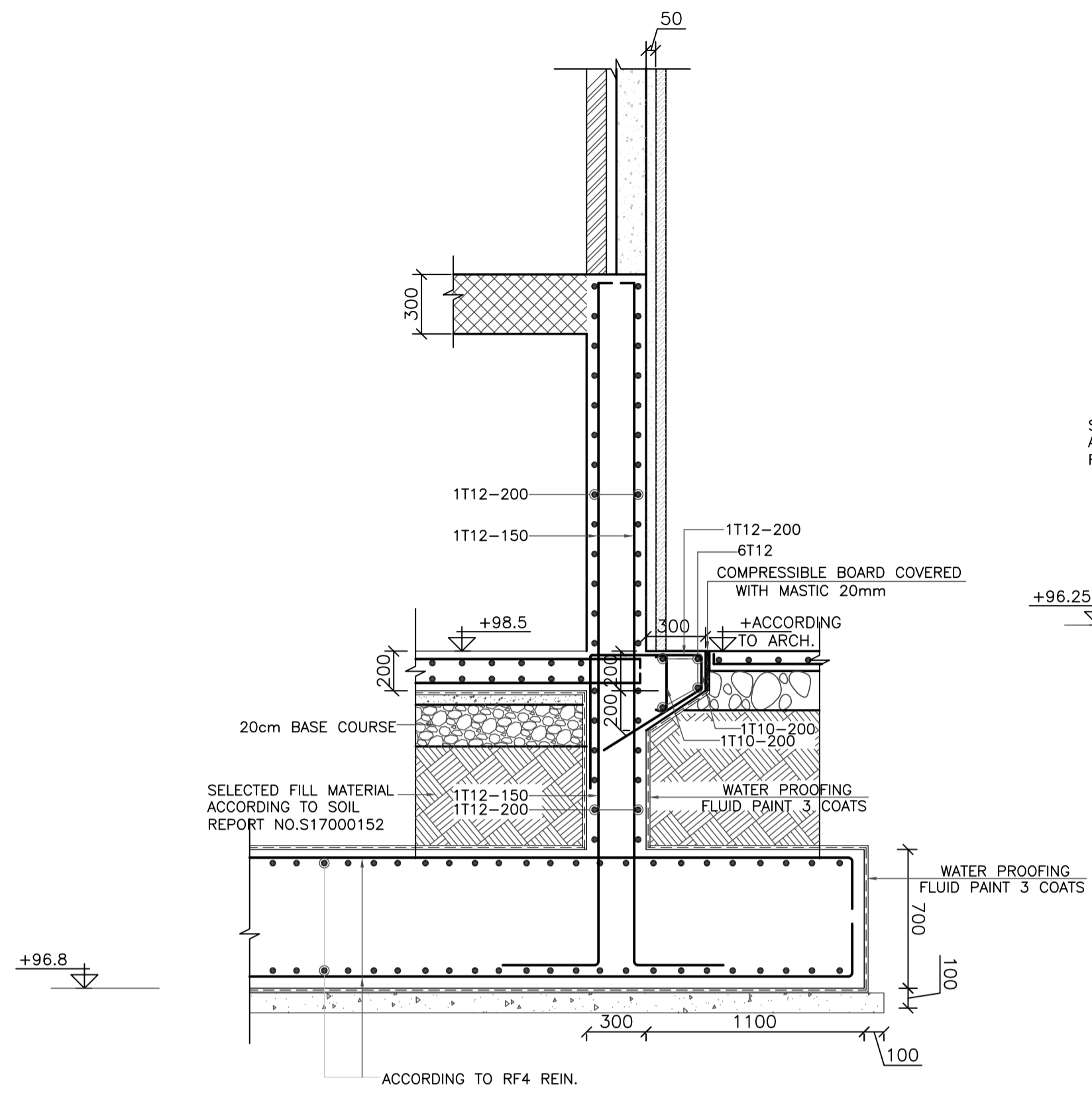
NOTES:



Jumana Bint Abi Taleb Basic Mixed School
(Amman- Marka)
SCHOOLS FOR A KNOWLEDGE ECONOMY
PROJECT (USAID SKEP)

DRAWING NAME: FOUNDATION DETAILS -1-		
DESIGN: A.KH.	DRAWN: CAD	CHECKED: R.K
SCALE: 1:25	DATE: MAY 2019	APPROVED: W.Z.
PLOT No 1496	LOCATION Marka	BASIN NO 1 Hanao Al Kassar

DRAWING NUMBER: SKEP-18-SFD-200		Rev.: 0
------------------------------------	--	------------



REV.	DATE	REMARKS

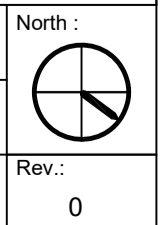
NOTES:

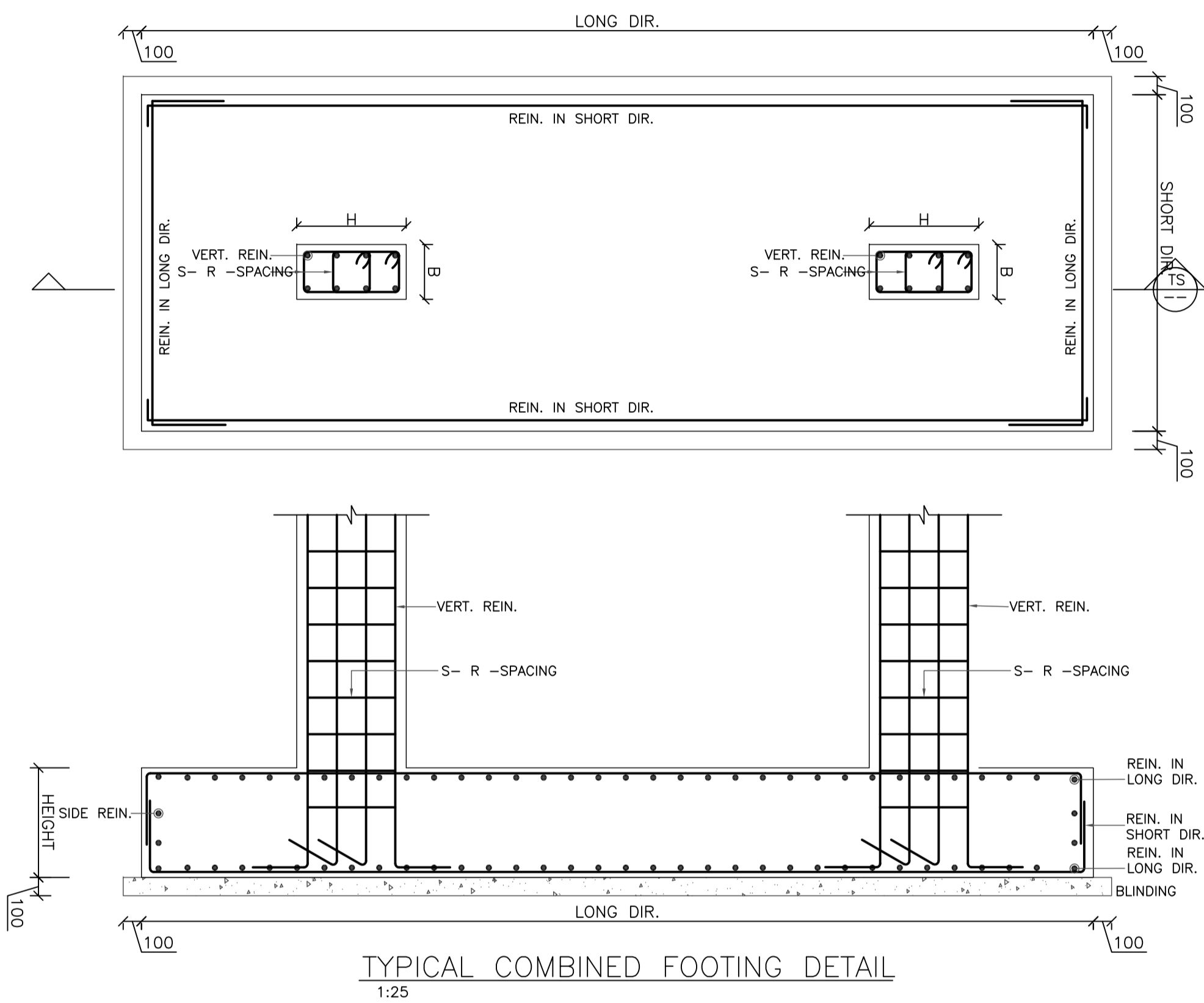


Jumana Bint Abi Taleb Basic Mixed School
(Amman- Marka)
SCHOOLS FOR A KNOWLEDGE ECONOMY
PROJECT (USAID SKEP)

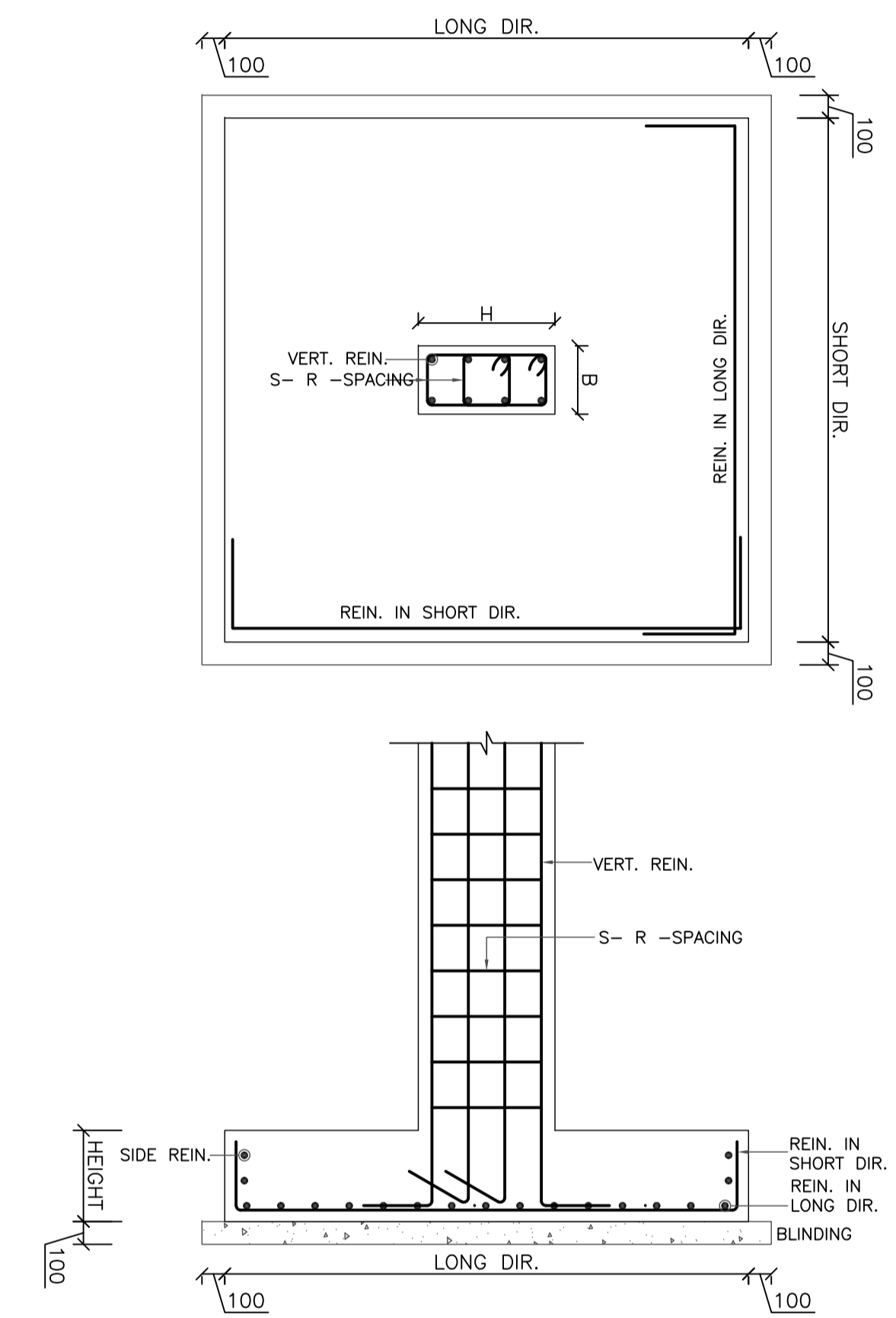
DRAWING NAME: FOUNDATION SECTIONS -2-		
DESIGN: A.KH.	DRAWN: CAD	CHECKED: R.K
SCALE: 1:25	DATE: MAY 2019	APPROVED: W.Z.
PLOT No 1496	LOCATION Marka	BASIN NO 1 Hanao Al Kassar

DRAWING NUMBER: SKEP-18-SFD-201		Rev.: 0
------------------------------------	--	------------





TYPICAL COMBINED FOOTING DETAIL
1:25



TYPICAL FOOTING DETAIL
1:25

REV.	DATE	REMARKS

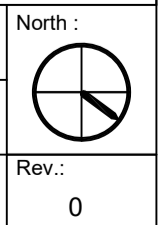
NOTES:

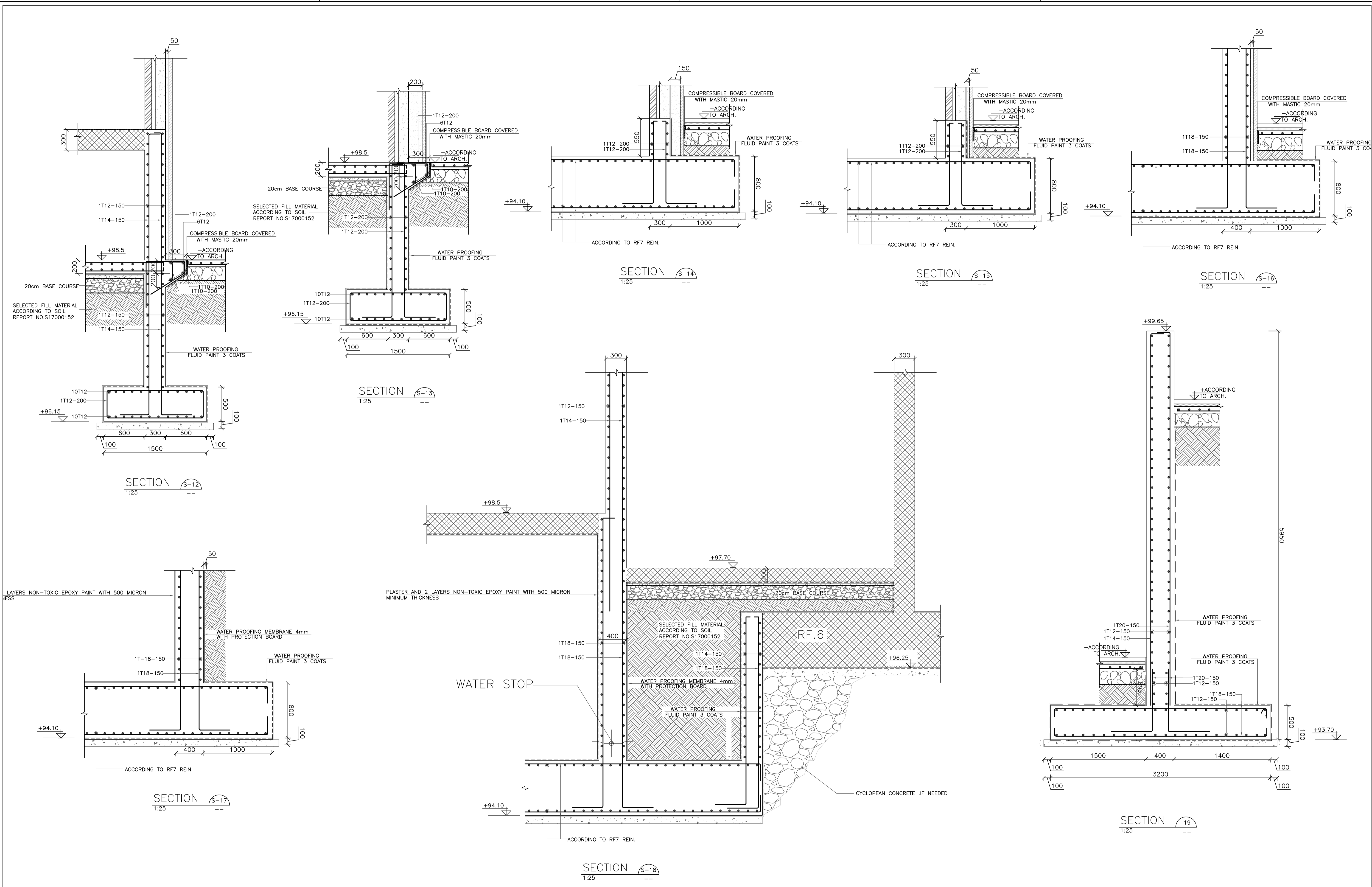


Jumana Bint Abi Taleb Basic Mixed School
(Amman- Marka)
SCHOOLS FOR A KNOWLEDGE ECONOMY
PROJECT (USAID SKEP)

DRAWING NAME: FOUNDATION DETAILS -3-		
DESIGN: A.KH.	DRAWN: CAD	CHECKED: R.K
SCALE: 1:25	DATE: MAY 2019	APPROVED: W.Z.
PLOT No 1496	LOCATION Marka	BASIN NO 1 Hanao Al Kassar

DRAWING NUMBER: SKEP-18-SFD-202		Rev.: 0
------------------------------------	--	------------





REV.	DATE	REMARKS

NOTES:



Jumana Bint Abi Taleb Basic Mixed School
(Amman- Marka)
SCHOOLS FOR A KNOWLEDGE ECONOMY
PROJECT (USAID SKEP)

DRAWING NAME:
FOUNDATION DETAILS -4-

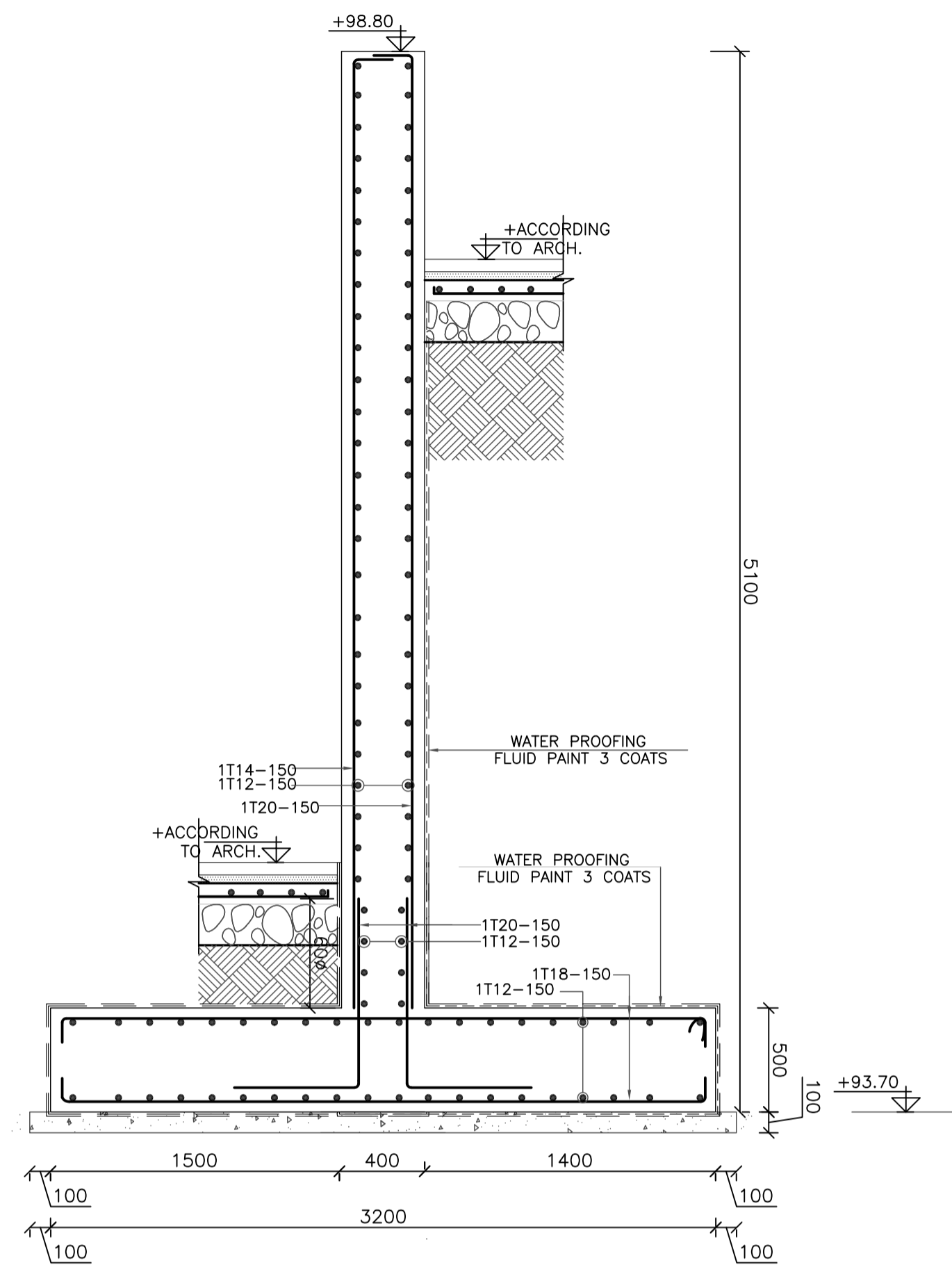
Design: A.KH.
Scale: 1:25
Date: MAY 2019

Drawn: CAD
Date: MAY 2019

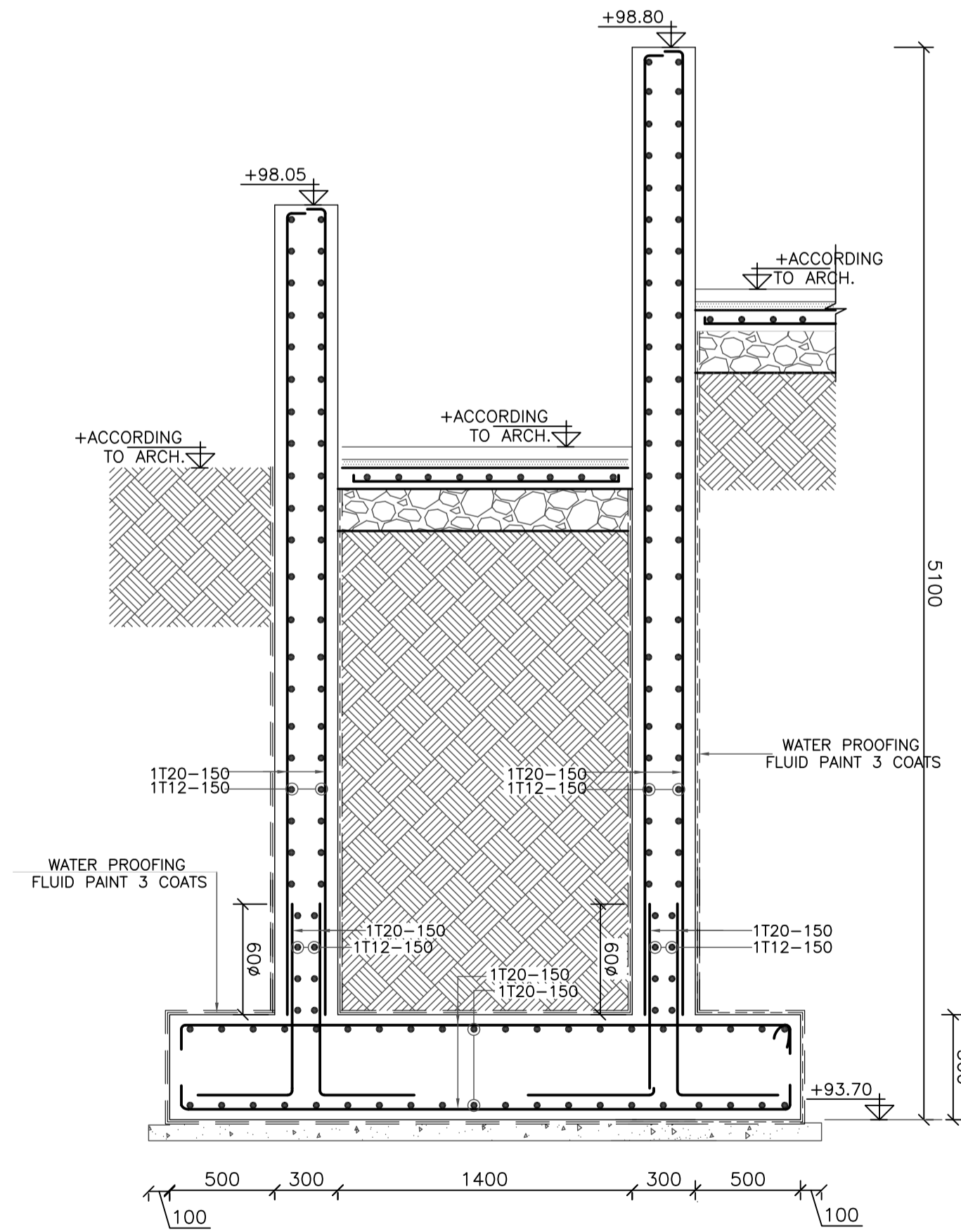
Checked: R.K.
Approved: W.Z.

Rev.: 0

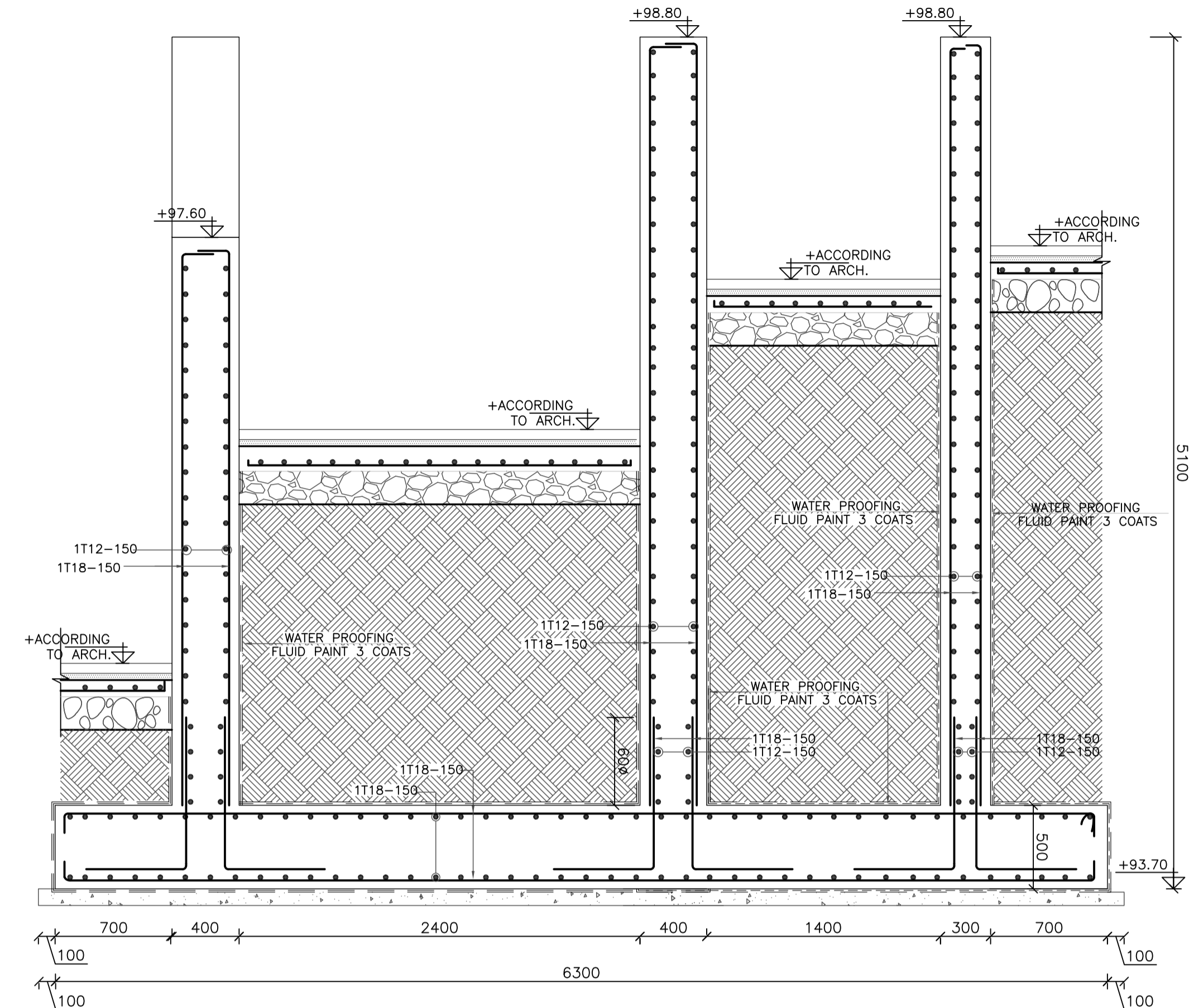
REV.	DATE	REMARKS



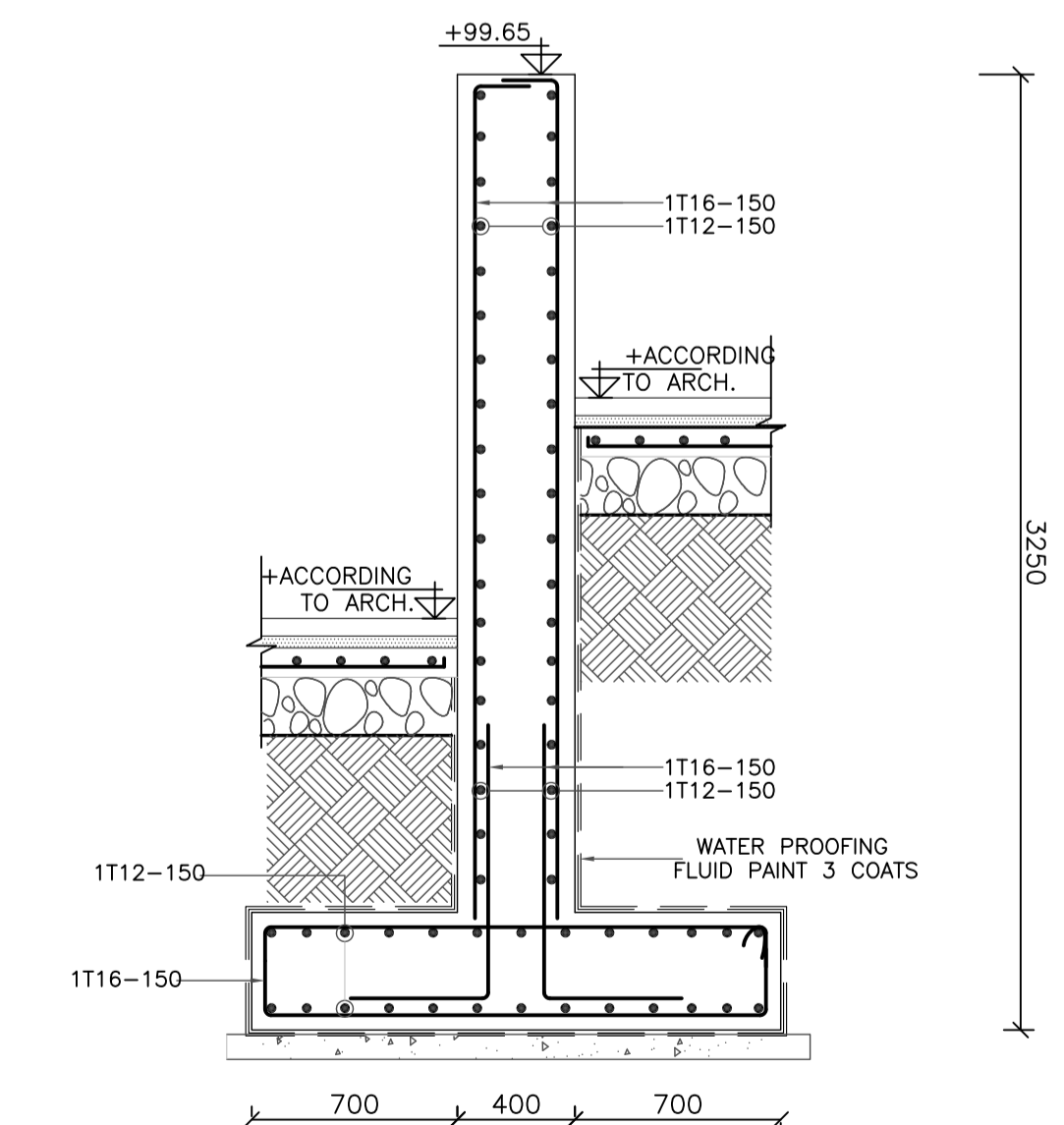
SECTION 20
1:25



SECTION 22
1:25



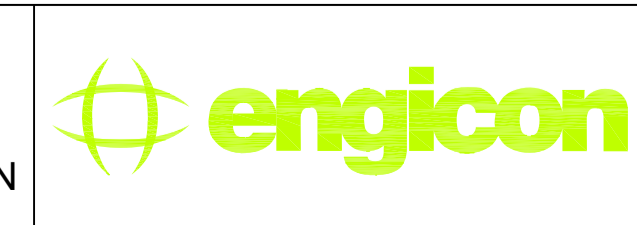
SECTION 21
1:25



SECTION 23
1:25

REV.	DATE	REMARKS

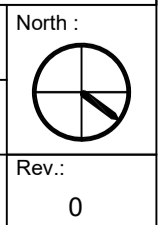
NOTES:



Jumana Bint Abi Taleb Basic Mixed School
(Amman- Marka)
SCHOOLS FOR A KNOWLEDGE ECONOMY
PROJECT (USAID SKEP)

DRAWING NAME: FOUNDATION DETAILS -5-		
DESIGN: A.KH.	DRAWN: CAD	CHECKED: R.K
SCALE: 1:25	DATE: MAY 2019	APPROVED: W.Z.
PLOT No: 1496	LOCATION: Marka	BASIN NO: 1 Hanao Al Kassar

DRAWING NUMBER: SKEP-18-SFD-204		Rev.: 0
------------------------------------	--	------------



REINFORCEMENT OF FOOTINGS TABLE

FOOTING DIMENSIONS			BOTTOM REINFORCEMENT		TOP REINFORCEMENT		SIDE REINFORCEMENT	
FOOT. NO.	LENGTH(m)	WIDTH(m)	HEIGHT(m)	REIN. IN LONG DIR.	REIN. IN SHORT DIR.	REIN. IN LONG DIR.	REIN. IN SHORT DIR.	
F1	4.0	4.0	0.7	1T25-125	1T25-125	1T14-150	1T14-150	1T12-200
CF1	5.8	8.9	0.9	1T25-125	1T25-125	1T18-150	1T18-150	1T12-200
CF2	5.8	8.9	1.0	1T25-125	1T25-125	1T16-150	1T16-150	1T12-200
RF1	16.0	4.3	0.7	1T25-150	1T25-150	1T18-150	1T18-150	1T12-200
RF2	AS SHOWN ON PLAN		0.8	1T25-150	1T25-150	1T16-150	1T16-150	1T12-200
RF3	4.3	9.5	0.8	1T20-150	1T20-150	1T14-150	1T14-150	1T12-200
RF4	AS SHOWN ON PLAN		0.7	1T20-150	1T20-150	1T16-150	1T16-150	1T12-200
RF5	3.8	23.5	0.8	1T20-150	1T20-150	1T16-150	1T16-150	1T12-200
RF6	4.0	15.0	0.8	1T20-150	1T20-150	1T20-150	1T20-150	1T12-200
RF7	AS SHOWN ON PLAN		0.8	1T20-150	1T20-150	1T20-150	1T20-150	1T12-200

REV.	DATE	REMARKS

NOTES:



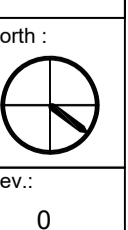
THE HASHEMITE
KINGDOM OF JORDAN
MINISTRY OF EDUCATION

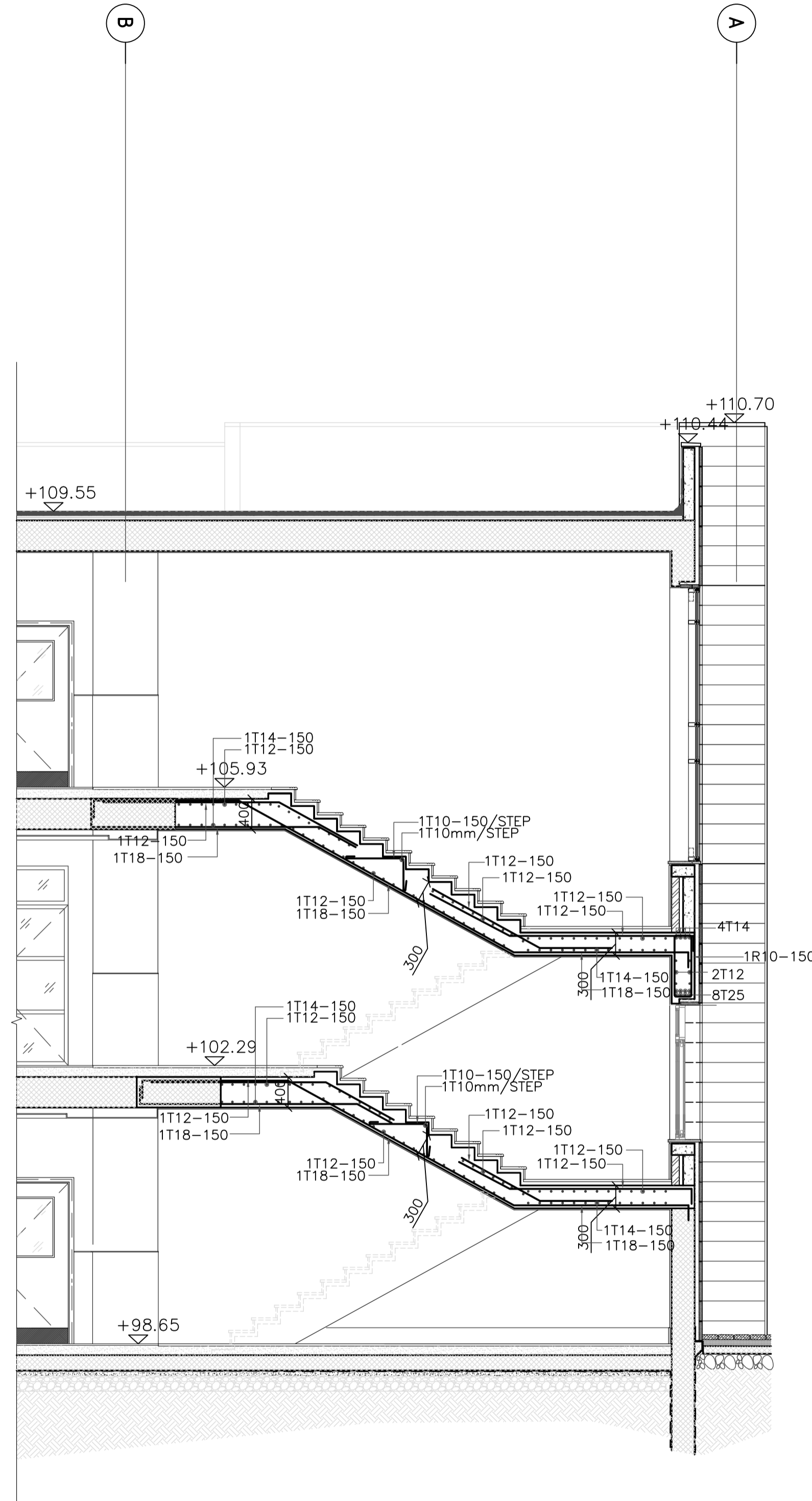


Jumana Bint Abi Taleb Basic Mixed School
(Amman- Marka)
SCHOOLS FOR A KNOWLEDGE ECONOMY
PROJECT (USAID SKEP)

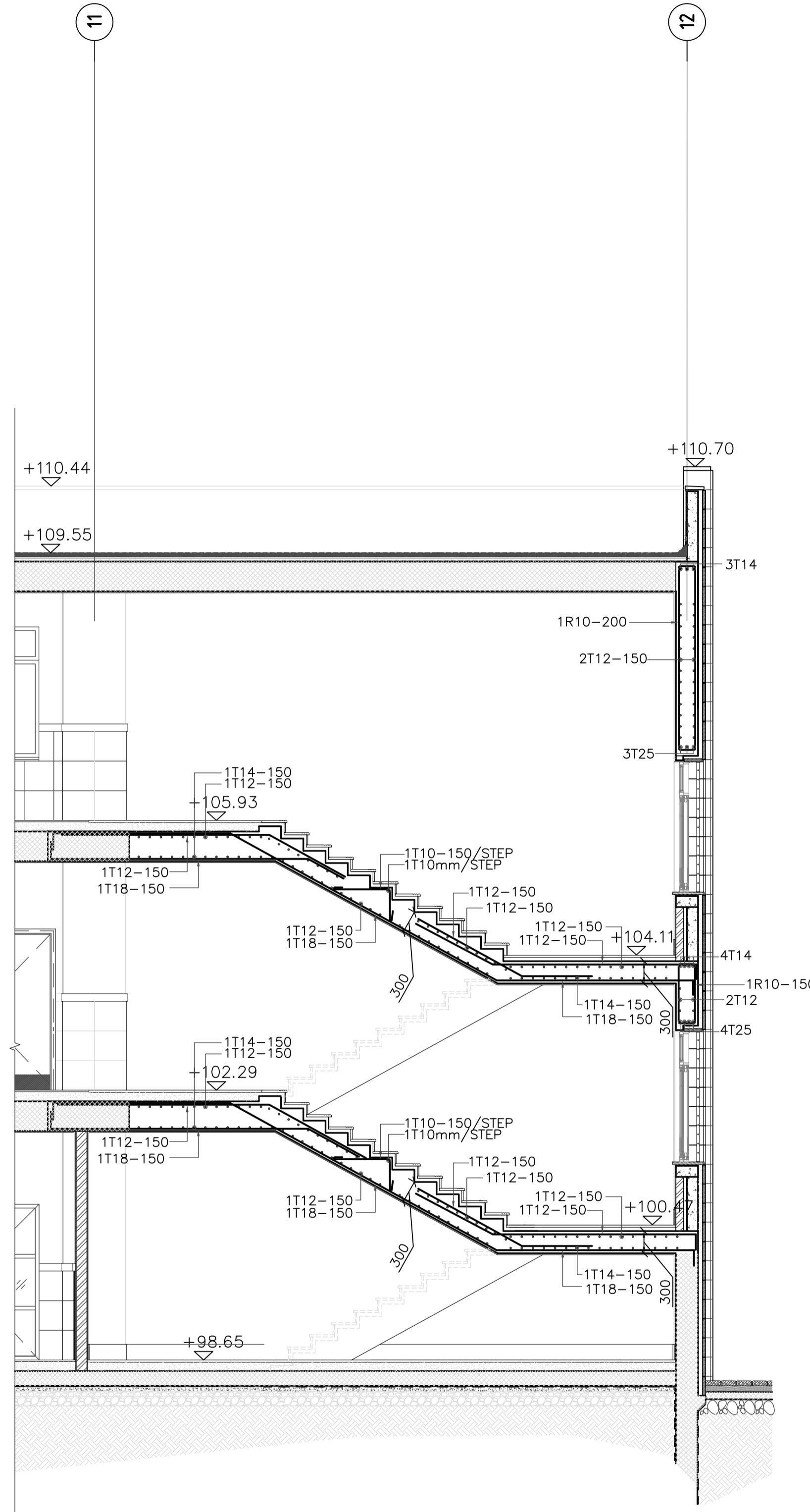
DRAWING NAME: REINFORCEMENT OF FOOTINGS TABLE		
Design: A.KH.	Drawn: CAD	Checked: R.K
SCALE: N.T.S	Date: MAY 2019	Approved: W.Z.
PLOT No 1496	LOCATION Marka	BASIN NO 1 Hanao Al Kassar

DRAWING NUMBER: SKEP-18-SFD-205		Rev.: 0
------------------------------------	--	------------

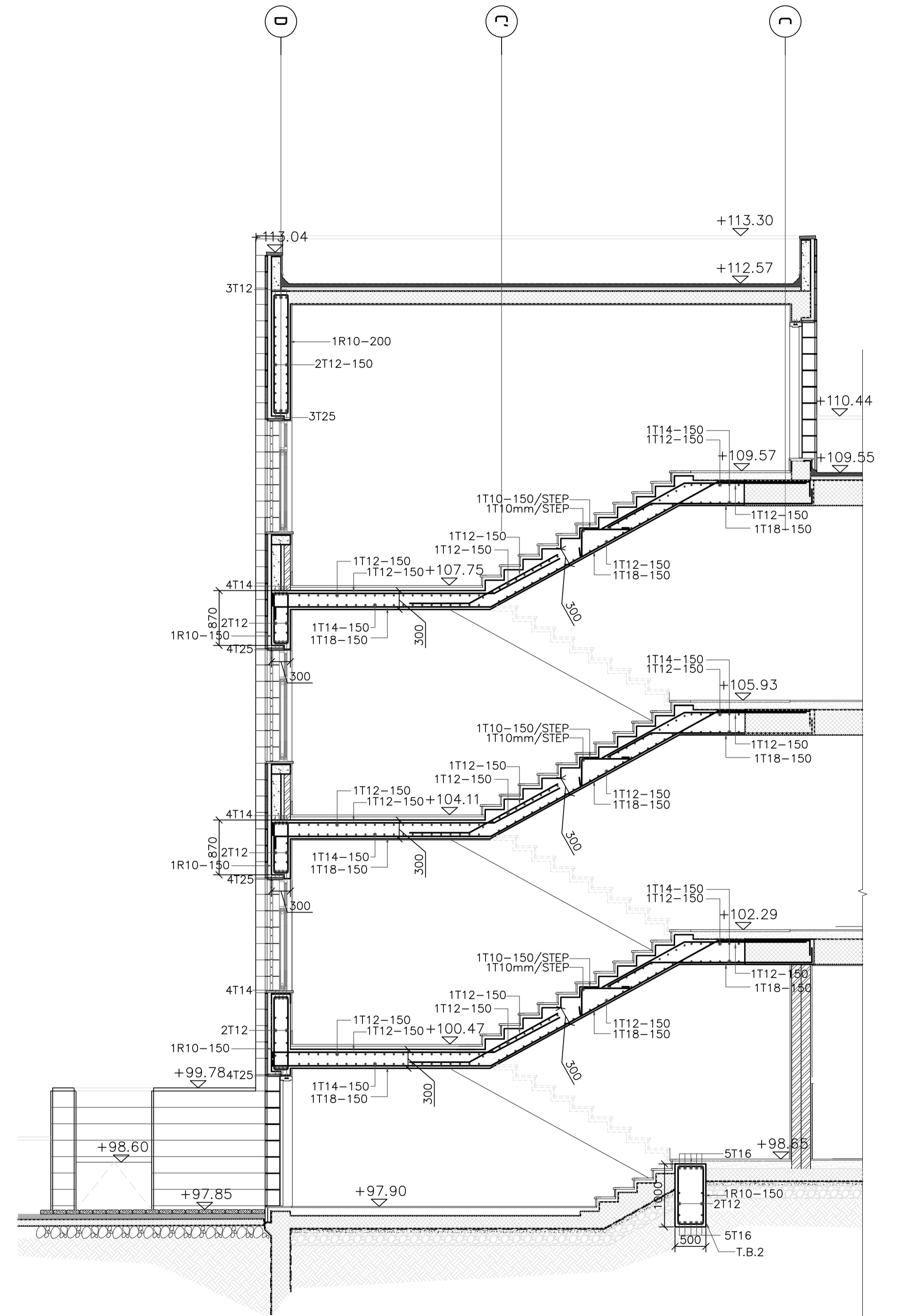




SECTION A
1:50



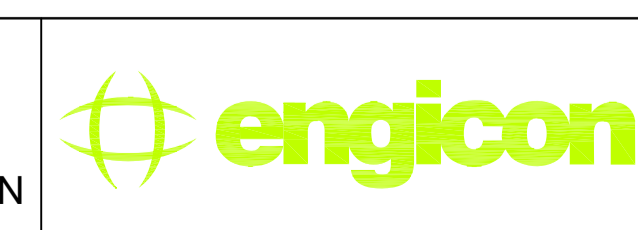
SECTION B
1:50



SECTION C
1:50

REV.	DATE	REMARKS

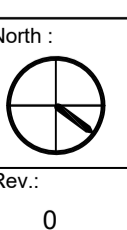
NOTES:

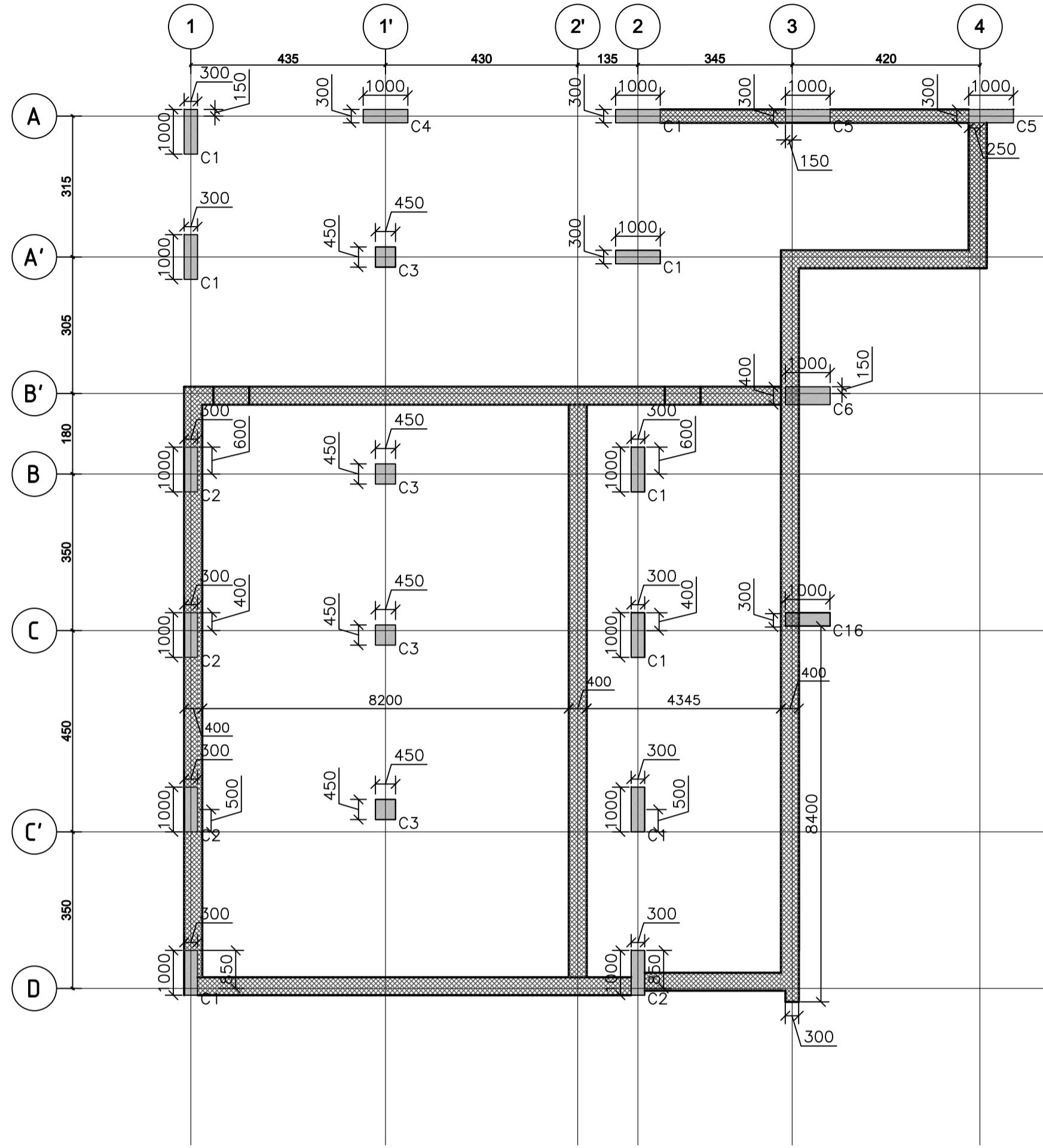


Jumana Bint Abi Taleb Basic Mixed School
(Amman- Marka)
SCHOOLS FOR A KNOWLEDGE ECONOMY
PROJECT (USAID SKEP)

DRAWING NAME: STAIRS SECTIONS		
DESIGN: A.KH.	DRAWN: CAD	CHECKED: R.K
SCALE: 1:50	DATE: MAY 2019	APPROVED: W.Z.
PLOT No: 1496	LOCATION: Marka	BASIN NO: 1 Hanao Al Kassar

DRAWING NUMBER: SKEP-18-SFD-206		Rev.: 0
---	--	---------





REV.	DATE	REMARKS

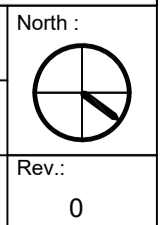
NOTES:

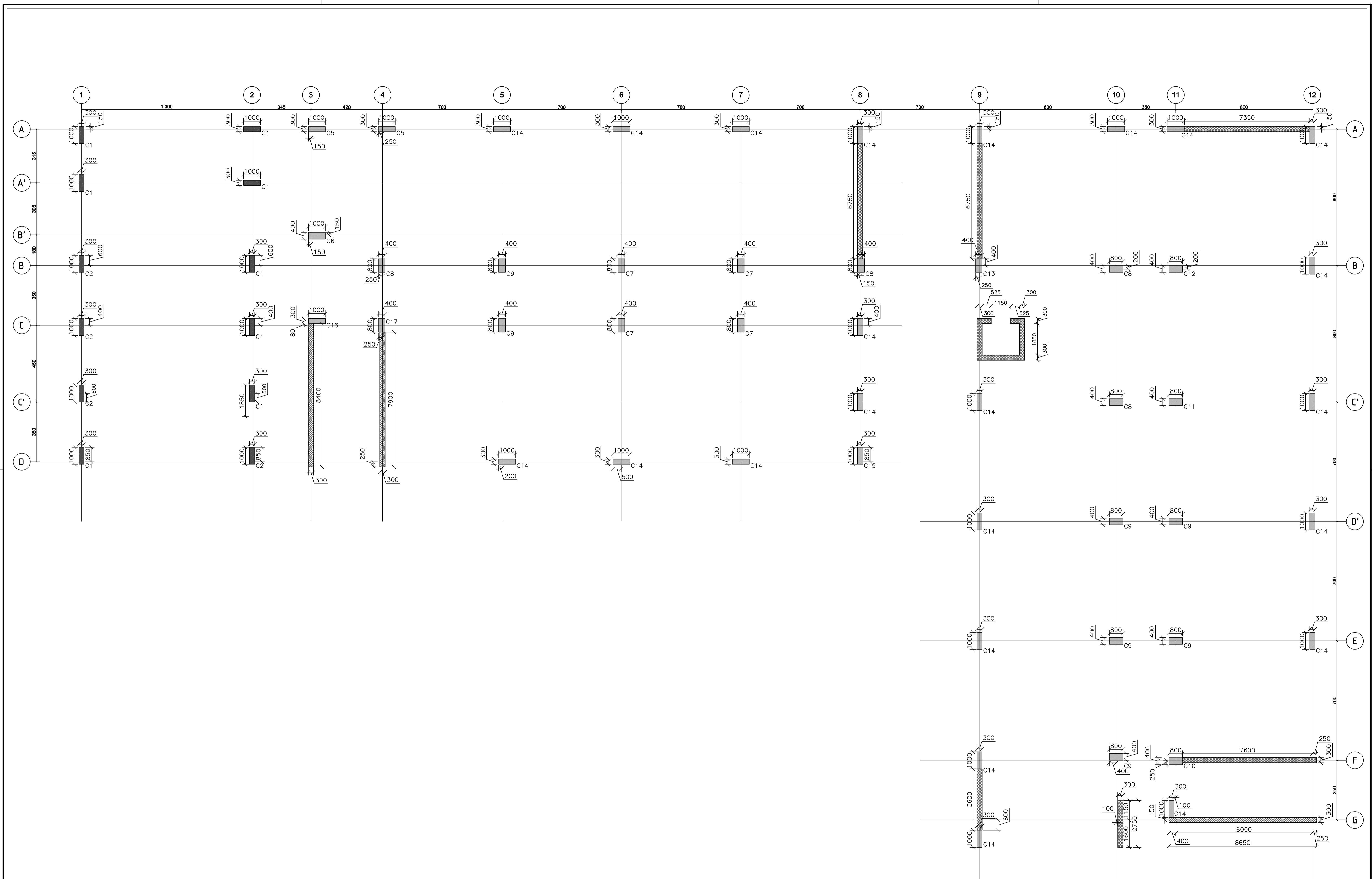


Jumana Bint Abi Taleb Basic Mixed School
(Amman- Marka)
SCHOOLS FOR A KNOWLEDGE ECONOMY
PROJECT (USAID SKEP)

DRAWING NAME: BASMENT FLOOR COLUMNS LAYOUT		
DESIGN: A.KH.	DRAWN: CAD	CHECKED: R.K
SCALE: 1:100	DATE: MAY 2019	APPROVED: W.Z.
PLOT No: 1496	LOCATION: Marka	BASIN NO: 1 Hanao Al Kassar

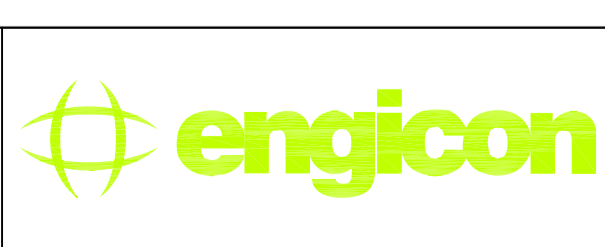
DRAWING NUMBER: SKEP-18-SCP-300		Rev.: 0
------------------------------------	--	------------





REV.	DATE	REMARKS

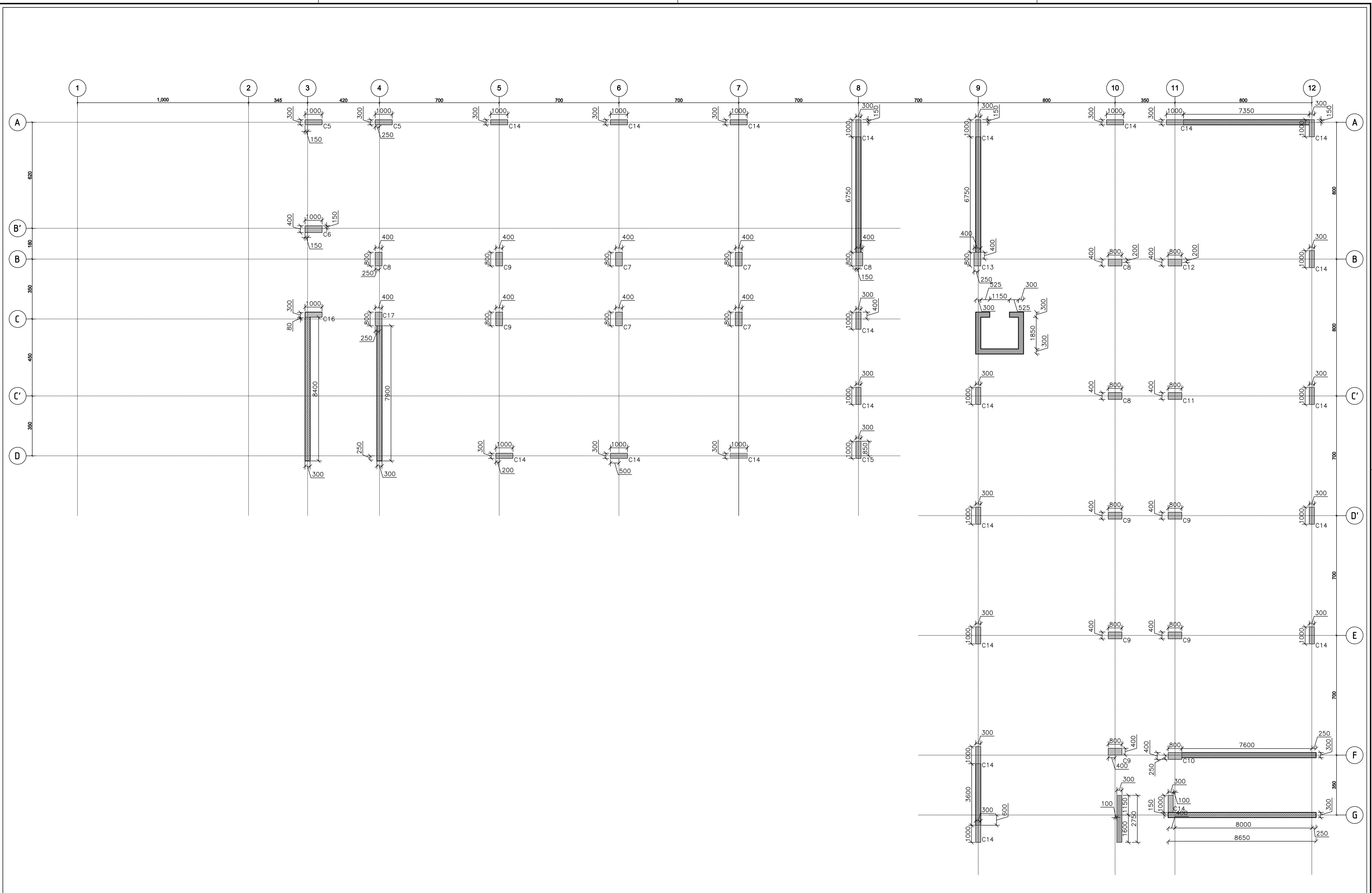
NOTES:



Jumana Bint Abi Taleb Basic Mixed School
(Amman- Marka)
SCHOOLS FOR A KNOWLEDGE ECONOMY
PROJECT (USAID SKEP)

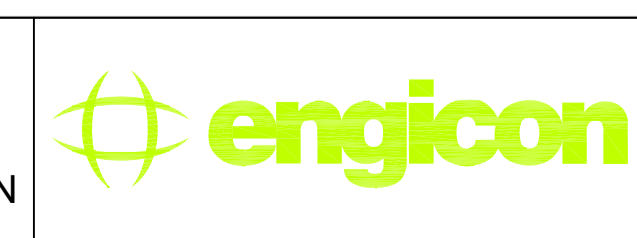
DRAWING NAME: GROUND FLOOR COLUMNS LAYOUT		
PLOT No 1496	LOCATION Marka	BASIN NO 1 Hanao Al Kassar

Design: A.KH.	Drawn: CAD	Checked: R.K	North:
SCALE: 1:100	Date: MAY 2019	Approved: W.Z.	Rev.: 0
DRAWING NUMBER: SKEP-18-SCP-301			



REV.	DATE	REMARKS

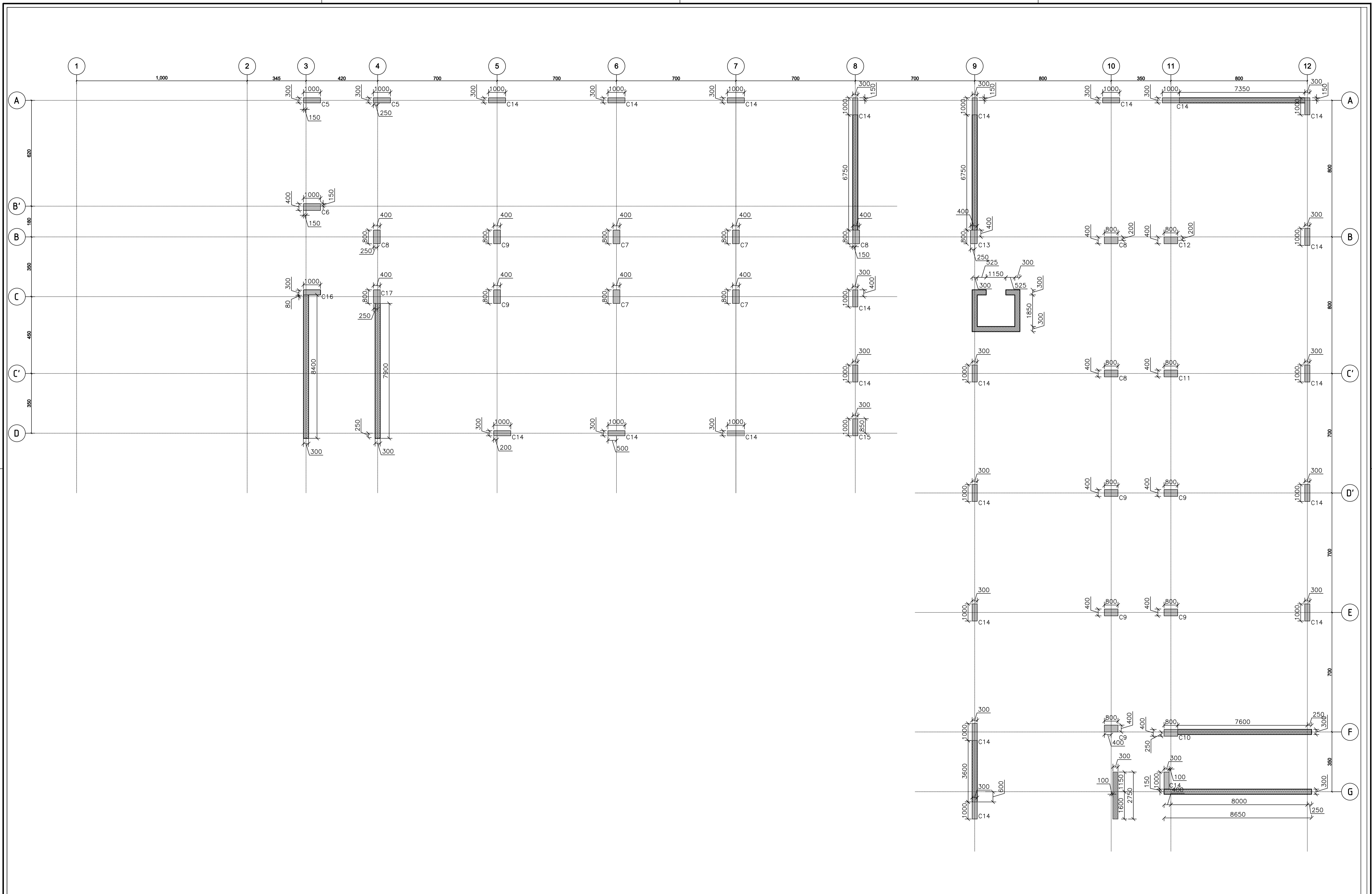
NOTES:



Jumana Bint Abi Taleb Basic Mixed School
(Amman- Marka)
SCHOOLS FOR A KNOWLEDGE ECONOMY
PROJECT (USAID SKEP)

DRAWING NAME: FIRST FLOOR COLUMNS LAYOUT		
PLOT No 1496	LOCATION Marka	BASIN NO 1 Hanao Al Kassar

Design: A.KH.	Drawn: CAD	Checked: R.K	North:
SCALE: 1:100	Date: MAY 2019	Approved: W.Z.	Rev.: 0
DRAWING NUMBER: SKEP-18-SCP-302			



REV.	DATE	REMARKS

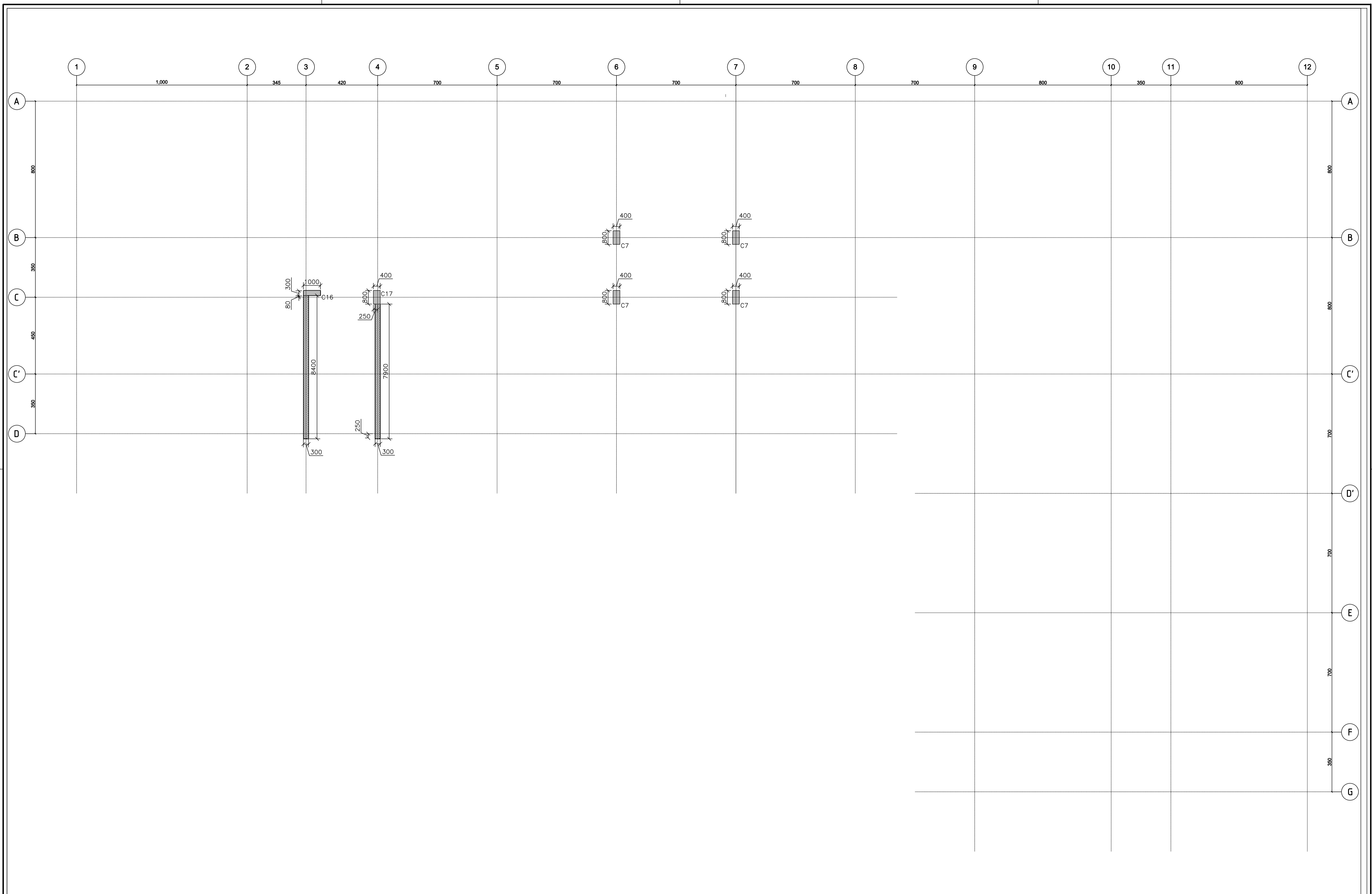
NOTES:



Jumana Bint Abi Taleb Basic Mixed School
(Amman- Marka)
SCHOOLS FOR A KNOWLEDGE ECONOMY
PROJECT (USAID SKEP)

DRAWING NAME: SECOND FLOOR COLUMNS LAYOUT		
PLOT No 1496	LOCATION Marka	BASIN NO 1 Hanao Al Kassar

Design: A.KH.	Drawn: CAD	Checked: R.K	North:
SCALE: 1:100	Date: MAY 2019	Approved: W.Z.	Rev.: 0
DRAWING NUMBER: SKEP-18-SCP-303			



REV.	DATE	REMARKS

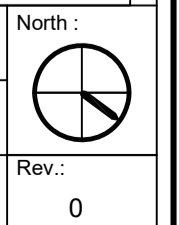
NOTES:



Jumana Bint Abi Taleb Basic Mixed School
(Amman- Marka)
SCHOOLS FOR A KNOWLEDGE ECONOMY
PROJECT (USAID SKEP)

DRAWING NAME: ROOF FLOOR COLUMNS LAYOUT		
DESIGN: A.KH.	DRAWN: CAD	CHECKED: R.K
SCALE: 1:100	DATE: MAY 2019	APPROVED: W.Z.
PLOT No: 1496	LOCATION: Marka	BASIN NO: 1 Hanao Al Kassar

DRAWING NUMBER: SKEP-18-SCP-304		Rev.: 0
------------------------------------	--	------------



REINFORCEMENT OF COLUMNS TABLE

COLUMN	BASEMENT FLOOR	GROUND FLOOR	FIRST FLOOR	SECOND FLOOR	ROOF FLOOR
C1				---	---
C2				---	---
C3		---	---	---	---
C4		---	---	---	---
C5					---
C6					---
C7	---				
C8	---				---
C9	---				---

REV.	DATE	REMARKS

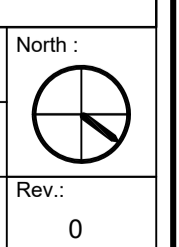
NOTES:



Jumana Bint Abi Taleb Basic Mixed School (Amman- Marka)
SCHOOLS FOR A KNOWLEDGE ECONOMY PROJECT (USAID SKEP)

DRAWING NAME: REINFORCEMENT OF COLUMNS		
Design: A.KH.	Drawn: CAD	Checked: R.K
SCALE: 1:25	Date: MAY 2019	Approved: W.Z.
PLOT No 1496	LOCATION Marka	BASIN NO 1 Hanao Al Kassar

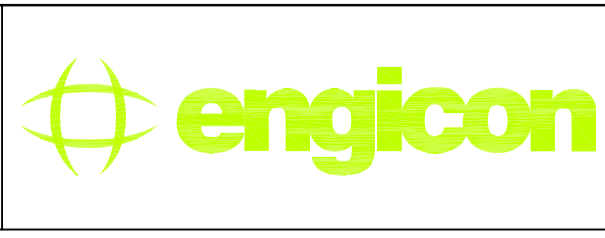
DRAWING NUMBER: SKEP-18-SCP-305-A		Rev.: 0
---	--	------------



REINFORCEMENT OF COLUMNS TABLE					
COLUMN	BASEMENT FLOOR	GROUND FLOOR	FIRST FLOOR	SECOND FLOOR	ROOF FLOOR
C10	---				---
C11	---				---
C12	---				---
C13	---				---
C14	---				---
C15	---				---
C16					
C17	---				

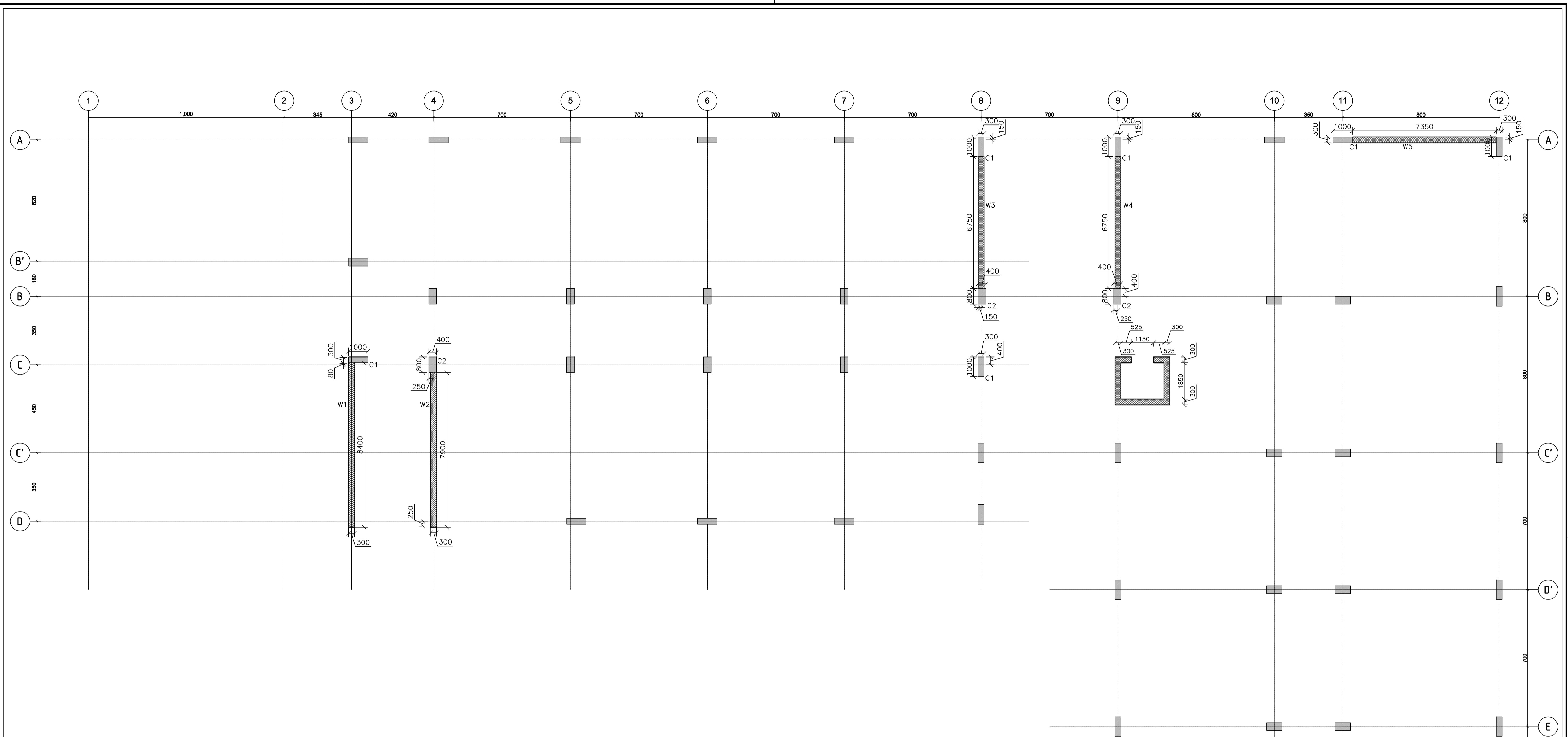
REV.	DATE	REMARKS

NOTES:



Jumana Bint Abi Taleb Basic Mixed School
(Amman- Marka)
SCHOOLS FOR A KNOWLEDGE ECONOMY
PROJECT (USAID SKEP)

DRAWING NAME: REINFORCEMENT OF COLUMNS			
Design: A.KH.	Drawn: CAD	Checked: R.K	North:
SCALE: 1:25	Date: MAY 2019	Approved: W.Z.	Rev.: 0
PLOT No 1496	LOCATION Marka	BASIN NO 1 Hanao Al Kassar	DRAWING NUMBER: SKEP-18-SCP-305-B



SHEAR WALLS LAYOUT
1:100

REV.	DATE	REMARKS

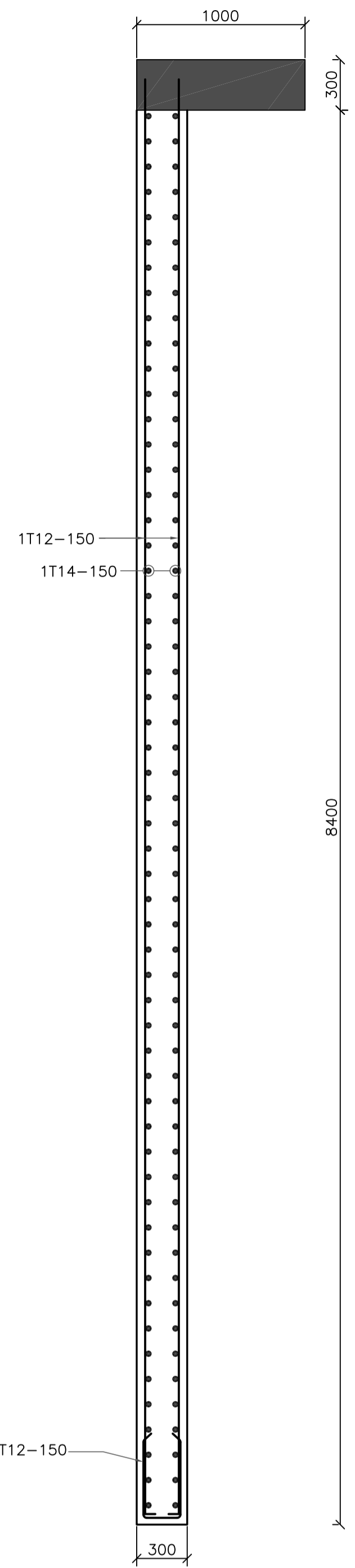
NOTES:



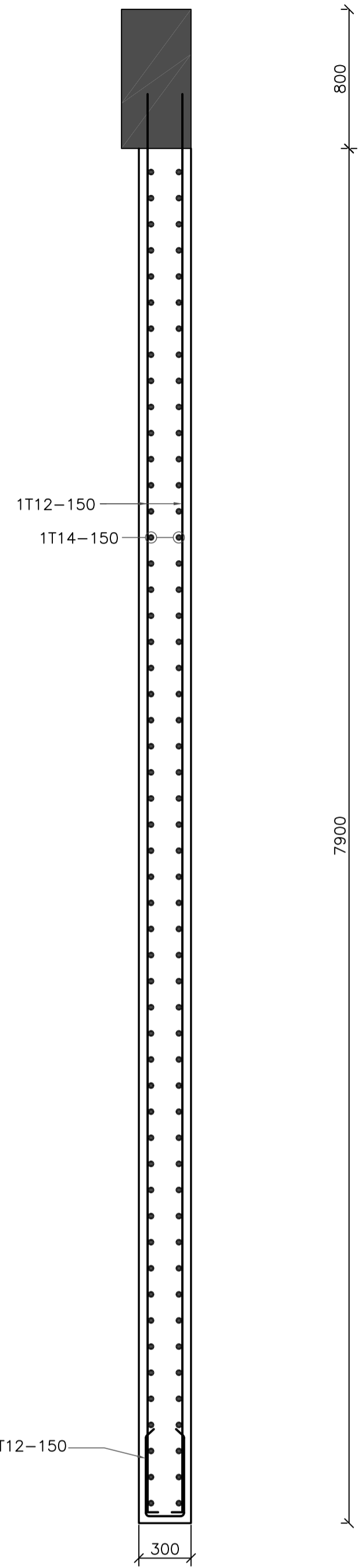
Jumana Bint Abi Taleb Basic Mixed School
(Amman- Marka)
SCHOOLS FOR A KNOWLEDGE ECONOMY
PROJECT (USAID SKEP)

DRAWING NAME: SHEAR WALLS LAYOUT		
PLOT No 1496	LOCATION Marka	BASIN NO 1 Hanao Al Kassar

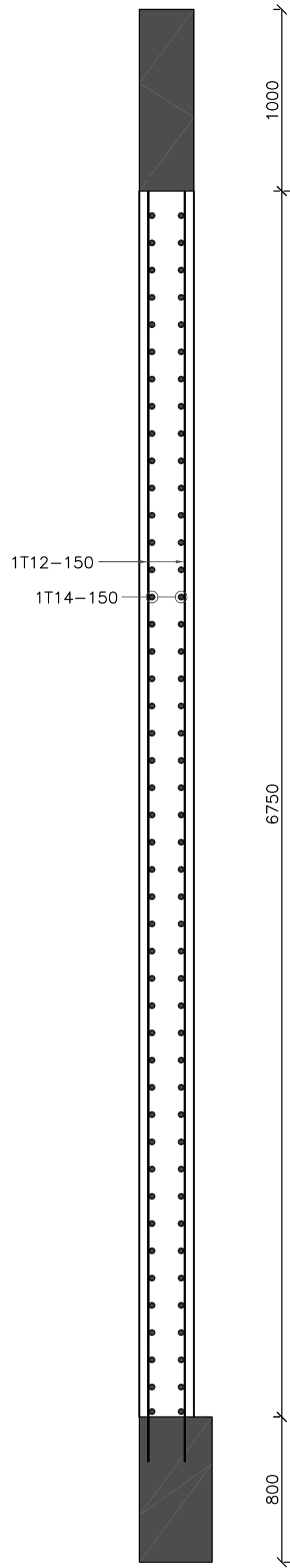
Design: A.KH.	Drawn: CAD	Checked: R.K	North:
SCALE: 1:100	Date: MAY 2019	Approved: W.Z.	Rev.: 0
DRAWING NUMBER: SKEP-18-SCP-307			



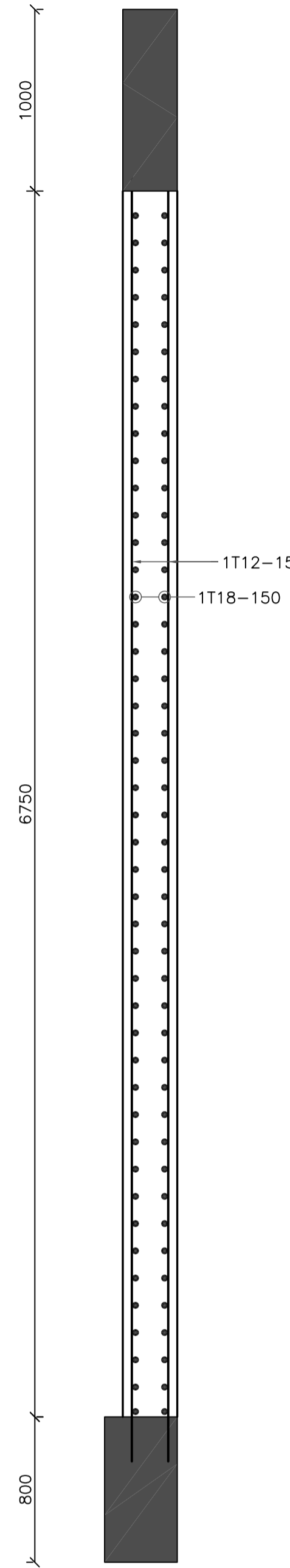
SECTION IN W1
1:50



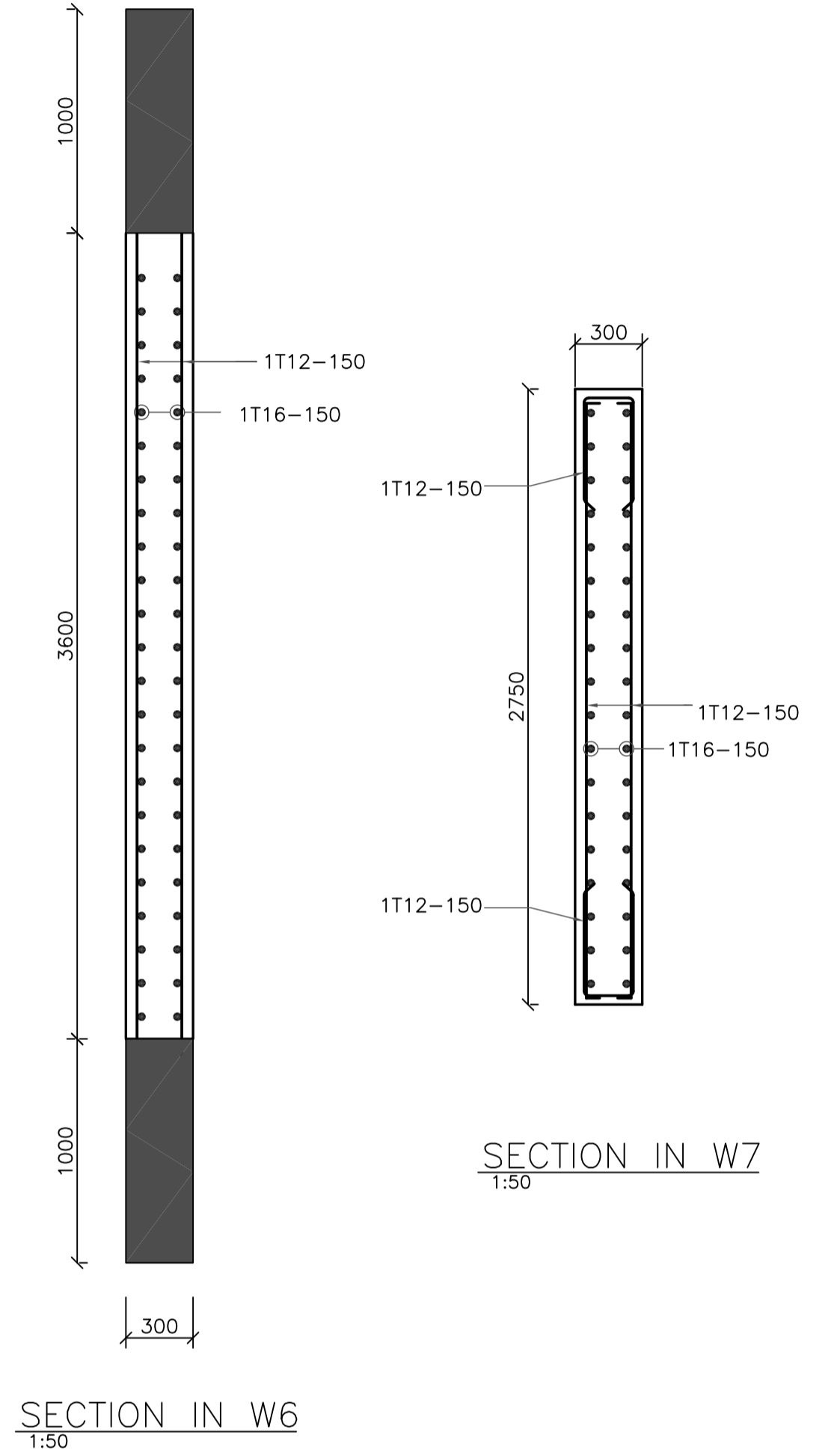
SECTION IN W2
1:50



SECTION IN W3
1:50

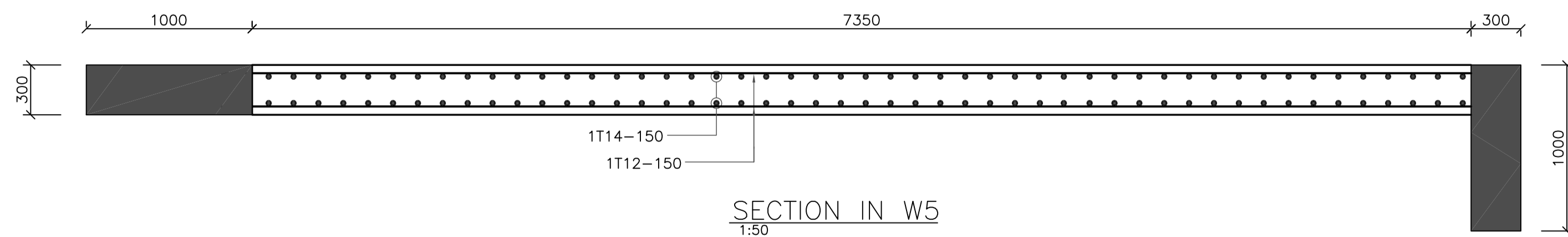


SECTION IN W4
1:50



SECTION IN W6
1:50

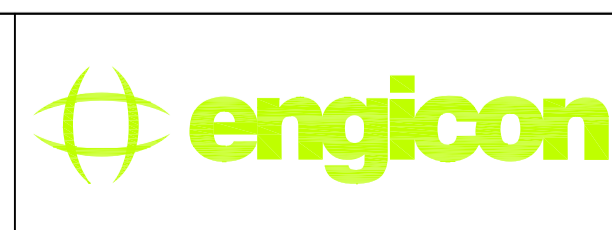
SECTION IN W7
1:50



SECTION IN W5
1:50

REV.	DATE	REMARKS

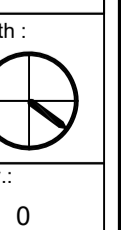
NOTES:

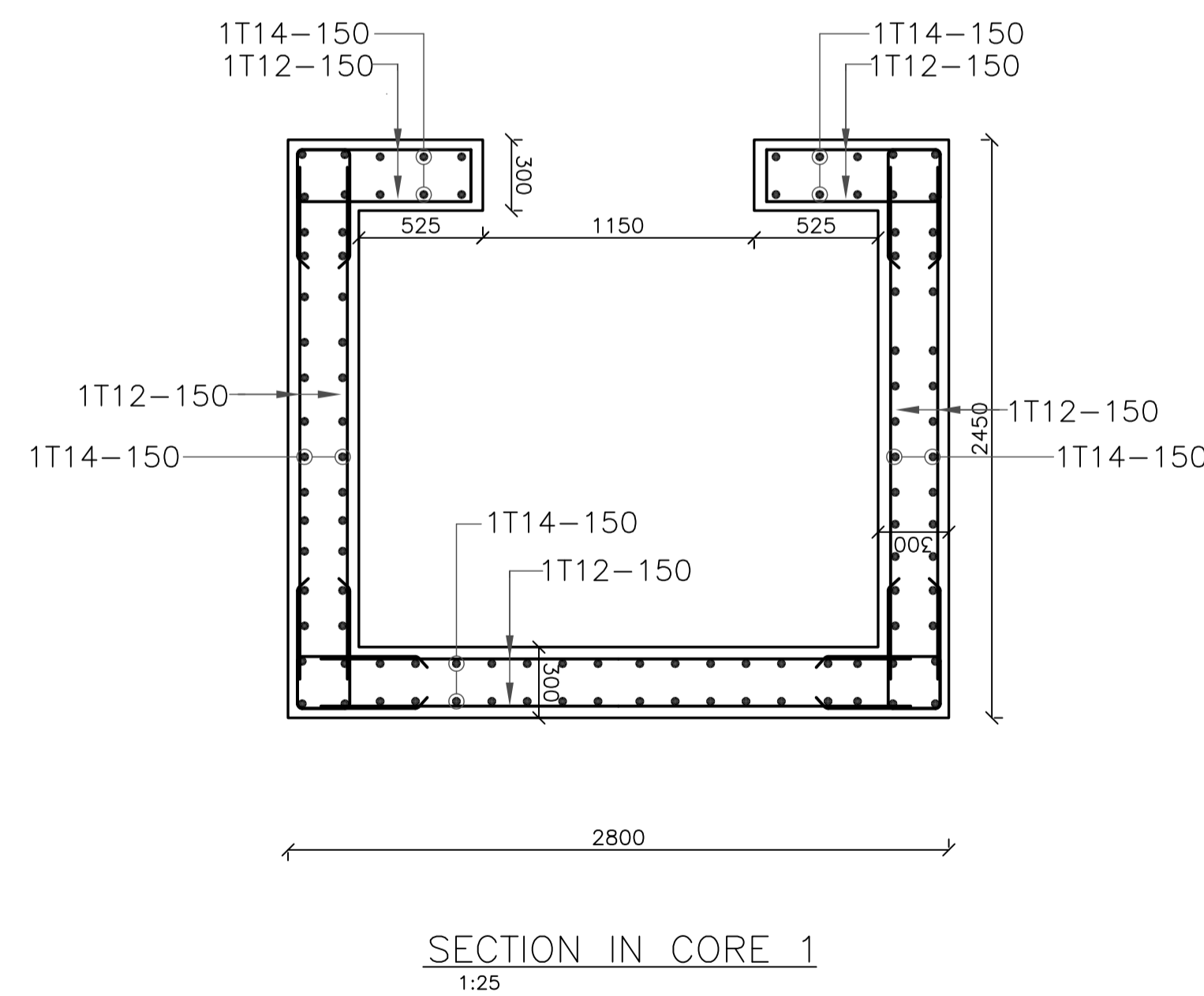
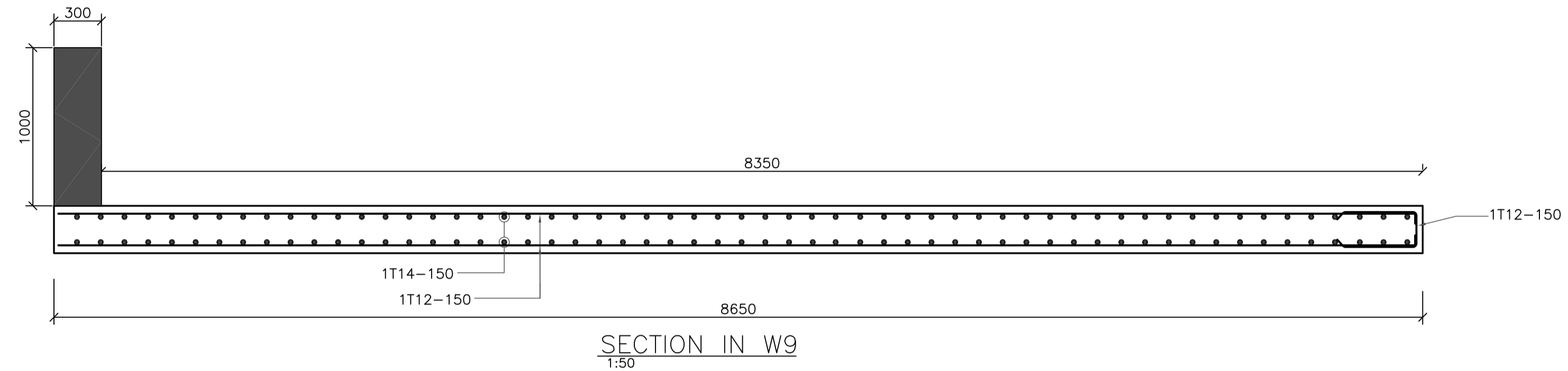
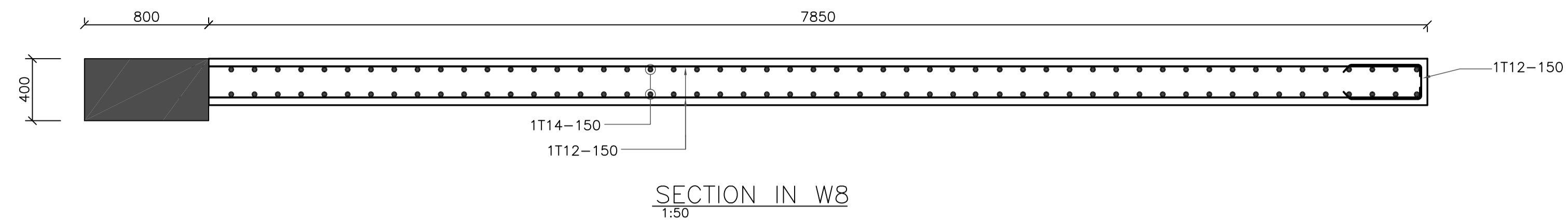


Jumana Bint Abi Taleb Basic Mixed School
(Amman- Marka)
SCHOOLS FOR A KNOWLEDGE ECONOMY
PROJECT (USAID SKEP)

DRAWING NAME: SHEAR WALLS REINFORCEMENT-1-		
DESIGN: A.KH.	DRAWN: CAD	CHECKED: R.K
SCALE: 1:50	DATE: MAY 2019	APPROVED: W.Z.
PLOT No: 1496	LOCATION: Marka	BASIN NO: 1 Hanao Al Kassar

DRAWING NUMBER: SKEP-18-SCP-308		Rev.: 0
------------------------------------	--	------------





REV.	DATE	REMARKS

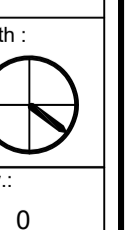
NOTES:

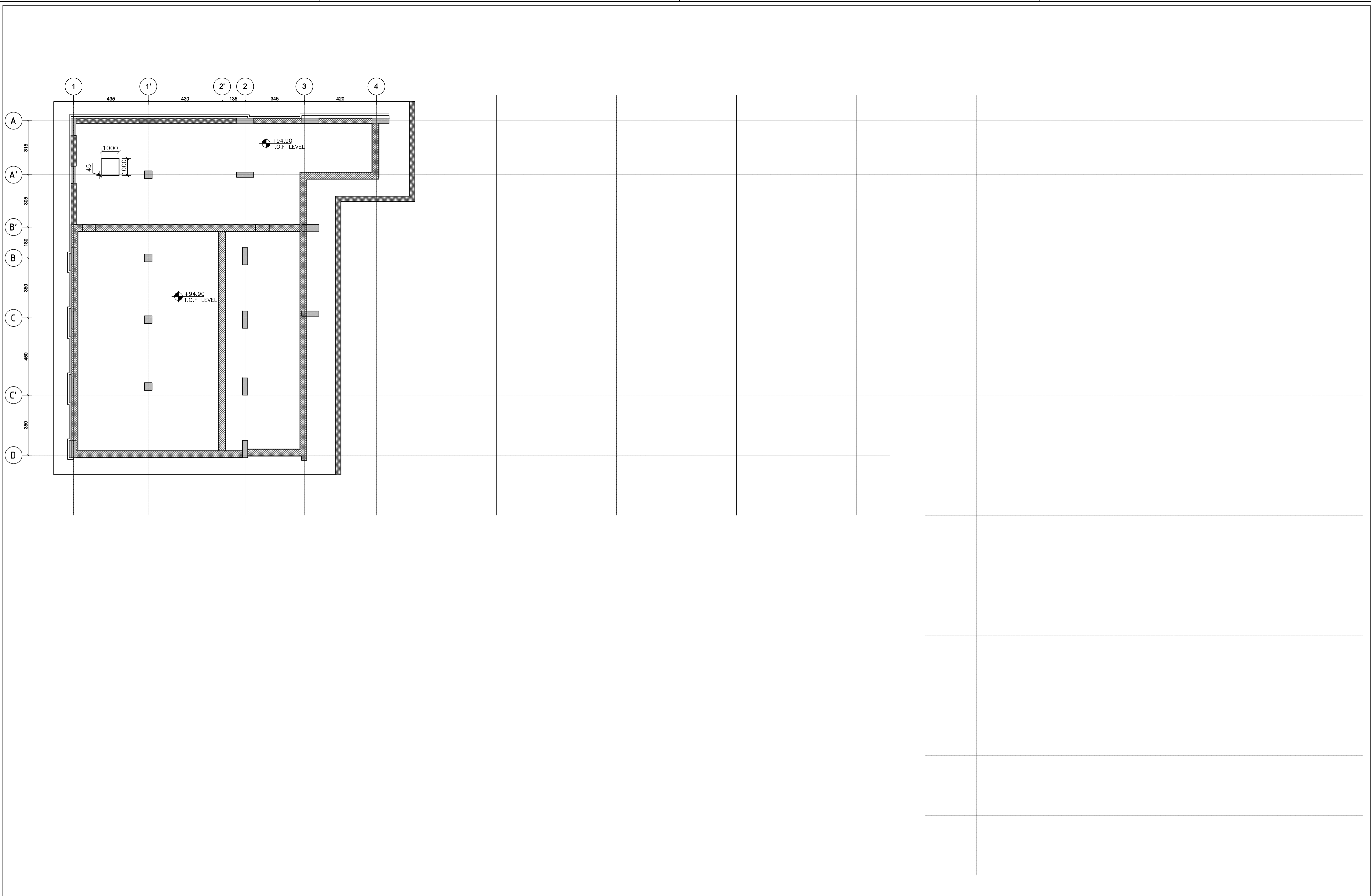


Jumana Bint Abi Taleb Basic Mixed School
(Amman- Marka)
SCHOOLS FOR A KNOWLEDGE ECONOMY
PROJECT (USAID SKEP)

DRAWING NAME: SHEAR WALLS REINFORCEMENT-2-		
DESIGN: A.KH.	DRAWN: CAD	CHECKED: R.K
SCALE: AS SHOWN	DATE: MAY 2019	APPROVED: W.Z.
PLOT No 1496	LOCATION Marka	BASIN NO 1 Hanao Al Kassar

DRAWING NUMBER: SKEP-18-SCP-309		Rev.: 0
------------------------------------	--	------------





REV.	DATE	REMARKS

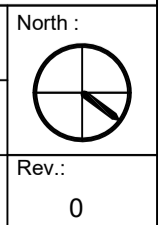
NOTES:

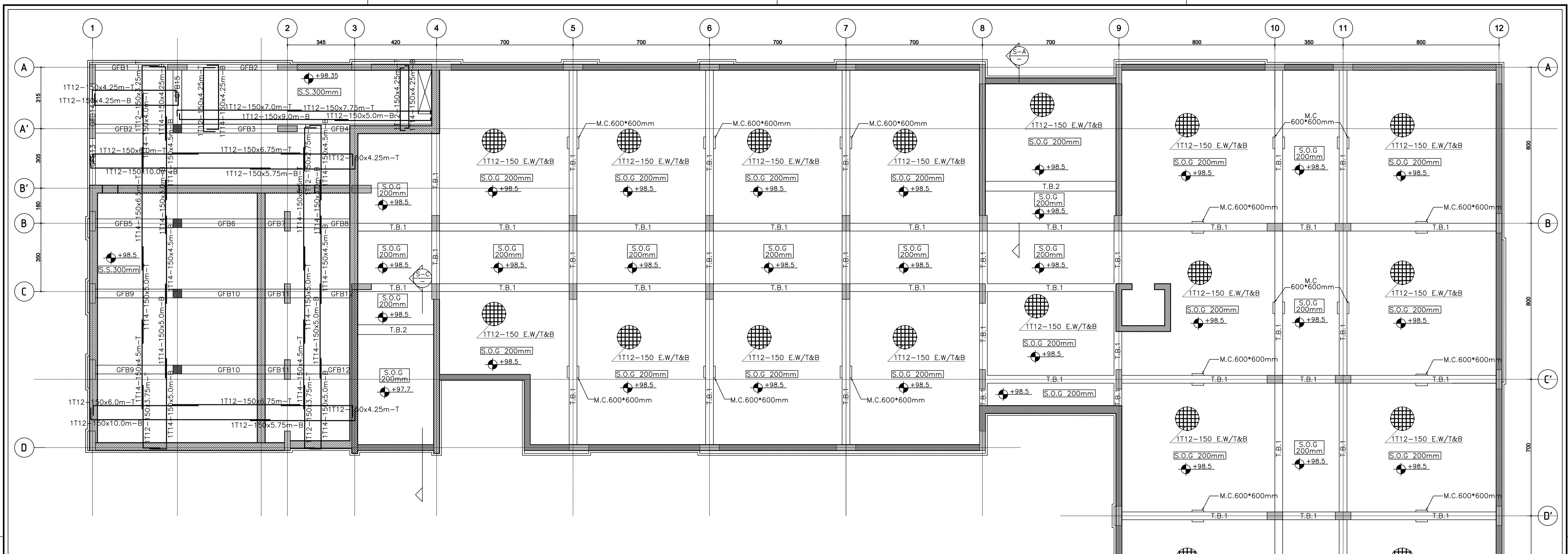


Jumana Bint Abi Taleb Basic Mixed School
(Amman- Marka)
SCHOOLS FOR A KNOWLEDGE ECONOMY
PROJECT (USAID SKEP)

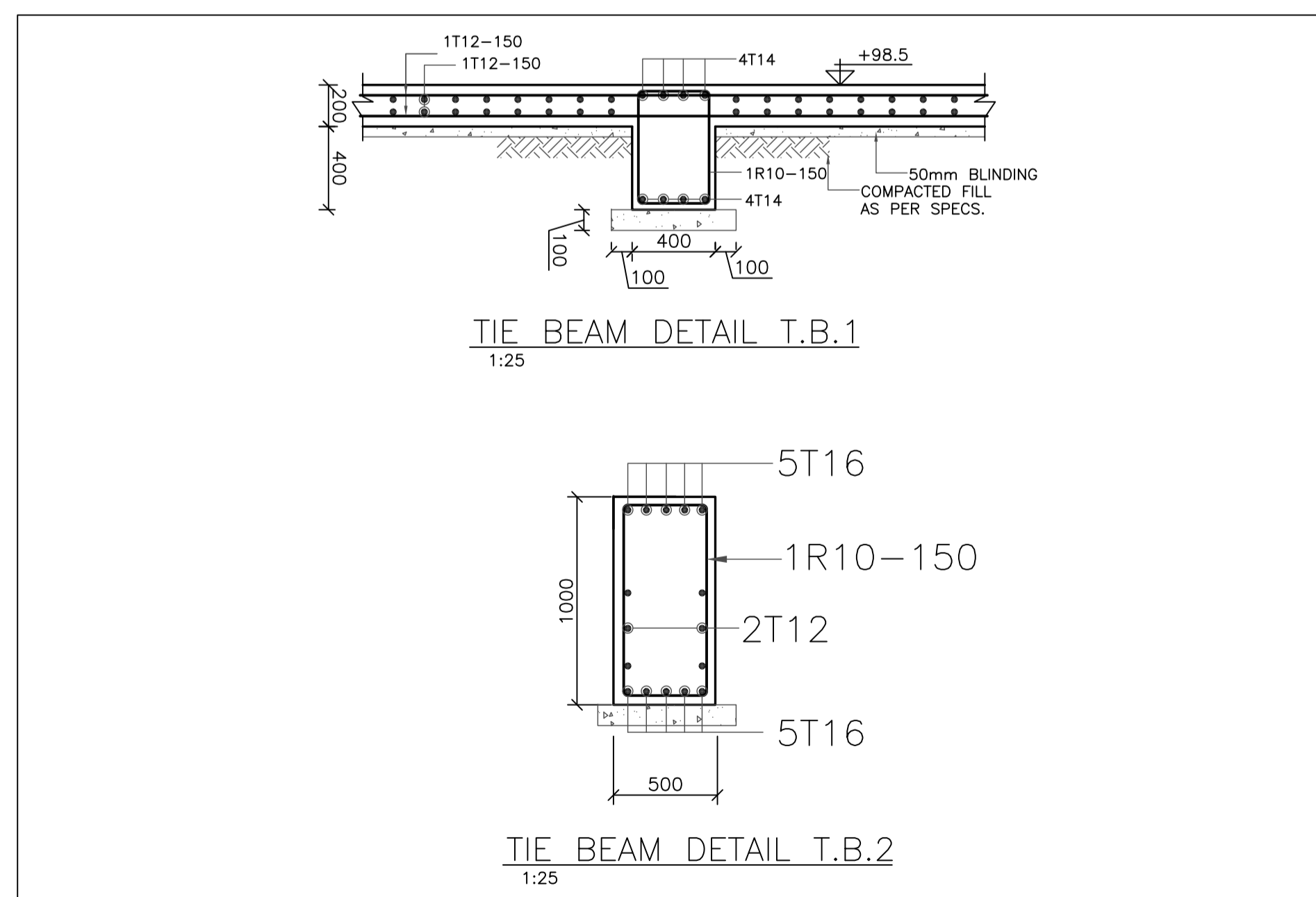
DRAWING NAME: BASEMENT FLOOR FRAMING PLAN		
DESIGN: A.KH.	DRAWN: CAD	CHECKED: R.K
SCALE: 1:100	DATE: MAY 2019	APPROVED: W.Z.
PLOT No 1496	LOCATION Marka	BASIN NO 1 Hanao Al Kassar

DRAWING NUMBER: SKEP-18-SSP-400		Rev.: 0
---	--	------------



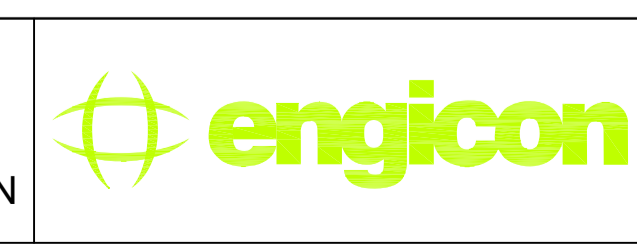


GROUND FLOOR FRAMING PLAN
1:100



REV.	DATE	REMARKS

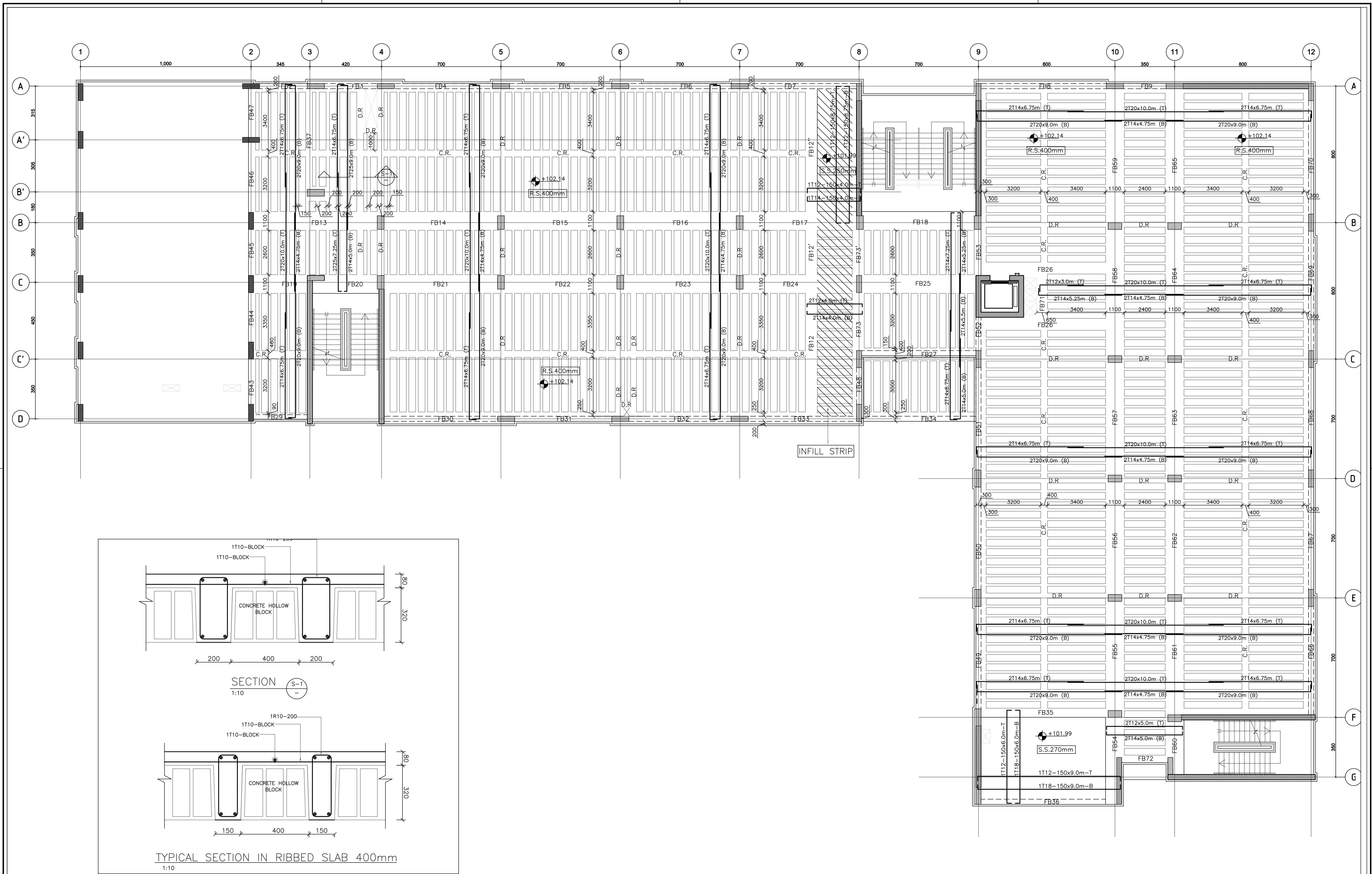
NOTES:



Jumana Bint Abi Taleb Basic Mixed School
(Amman- Marka)
SCHOOLS FOR A KNOWLEDGE ECONOMY
PROJECT (USAID SKEP)

DRAWING NAME: GROUND FLOOR FRAMING PLAN		
DESIGN: A.KH.	DRAWN: CAD	CHECKED: R.K
SCALE: 1:100	DATE: MAY 2019	APPROVED: W.Z.
PLOT No: 1496	LOCATION: Marka	BASIN NO: 1 Hanao Al Kassar

DRAWING NUMBER: SKEP-18-SSP-401		REV.: 0
------------------------------------	--	------------

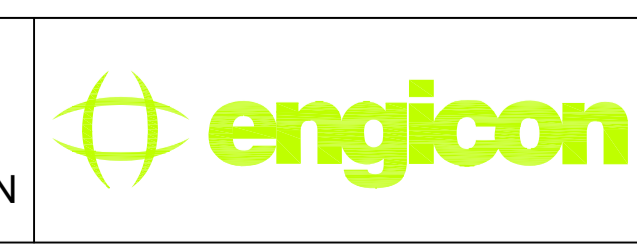


REV.	DATE	REMARKS

NOTES:



THE HASHEMITE KINGDOM OF JORDAN
 MINISTRY OF EDUCATION



Jumana Bint Abi Taleb Basic Mixed School (Amman- Marka)
 SCHOOLS FOR A KNOWLEDGE ECONOMY PROJECT (USAID SKEP)

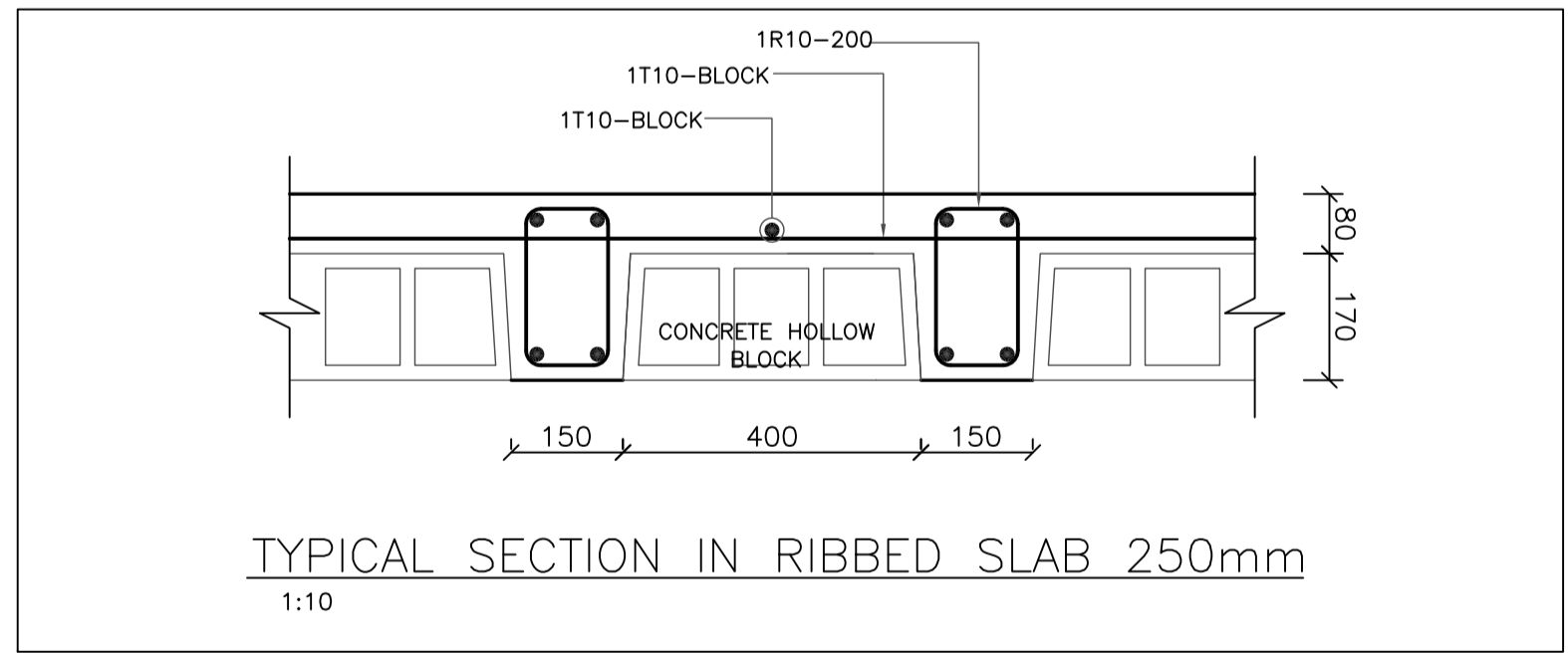
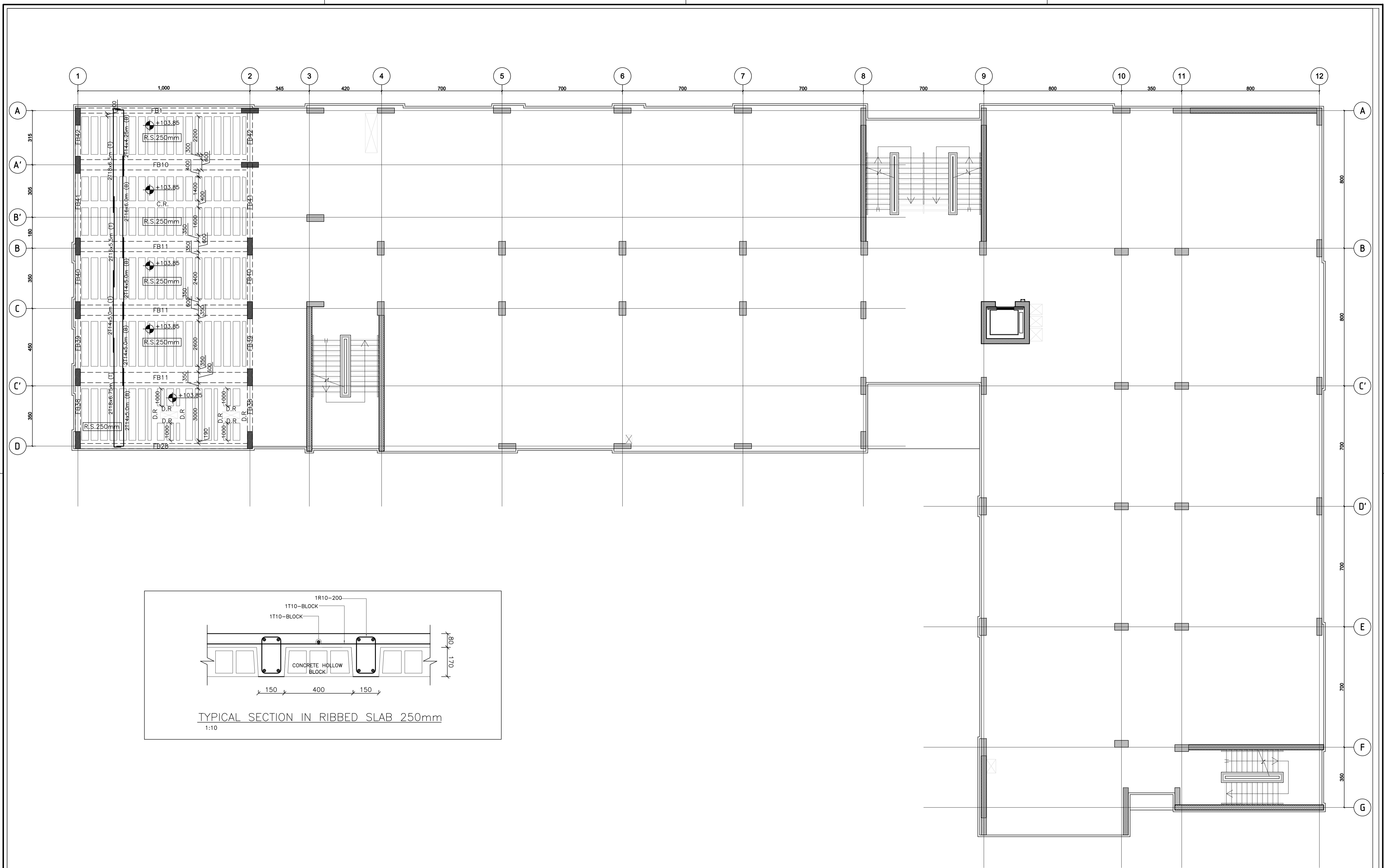
DRAWING NAME:
FIRST FLOOR FRAMING PLAN AT LEVEL +102.14

Plot No: 1496 Location: Marka Basin No: 1 Hanou Al Kassar

Design: A.KH. Drawn: CAD Checked: R.K.
 SCALE: 1:100 Date: MAY 2019 Approved: W.Z.

DRAWING NUMBER: **SKEP-18-SSP-402**

Rev.: 0



REV.	DATE	REMARKS

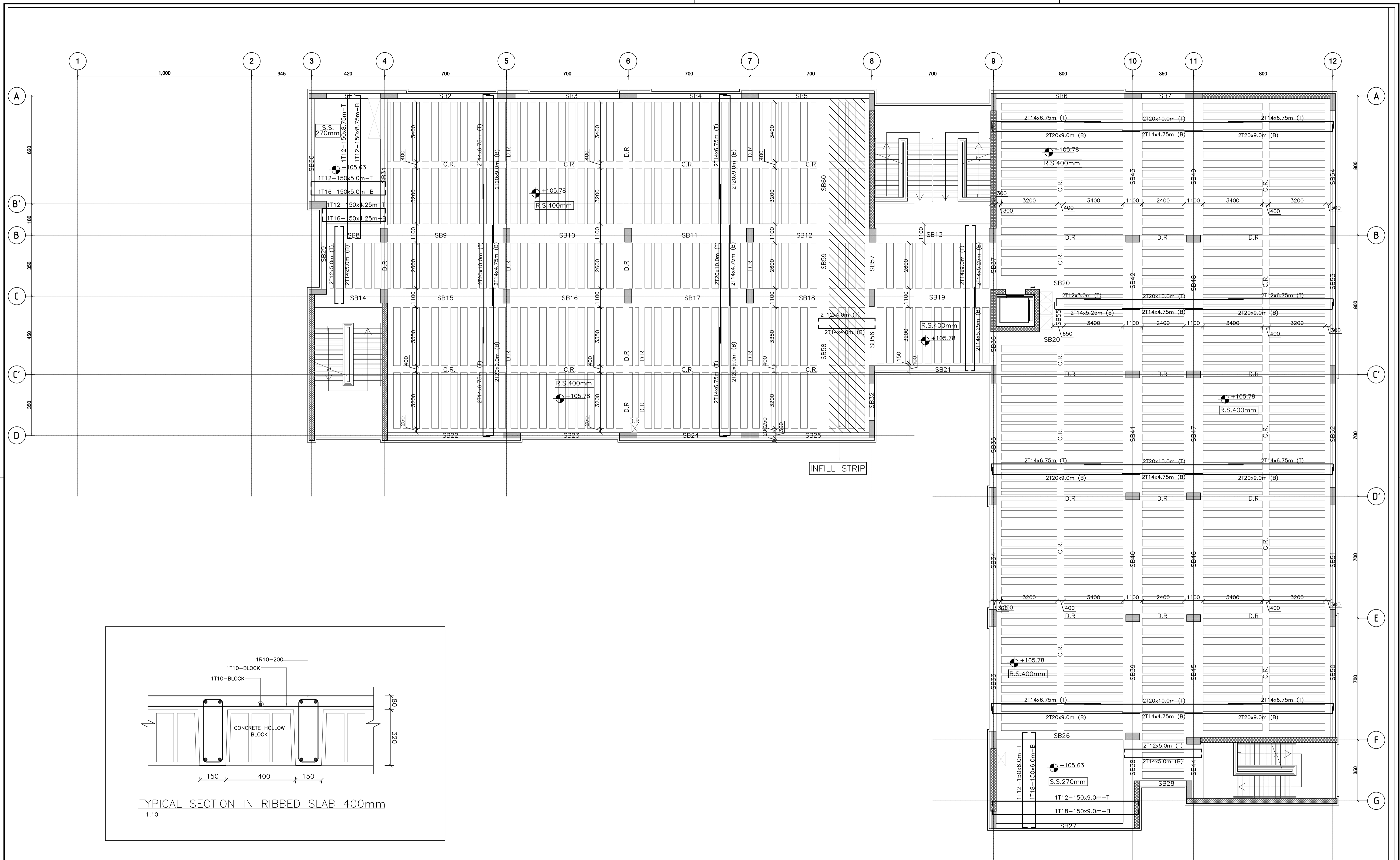
NOTES:



Jumana Bint Abi Taleb Basic Mixed School
(Amman- Marka)
SCHOOLS FOR A KNOWLEDGE ECONOMY
PROJECT (USAID SKEP)

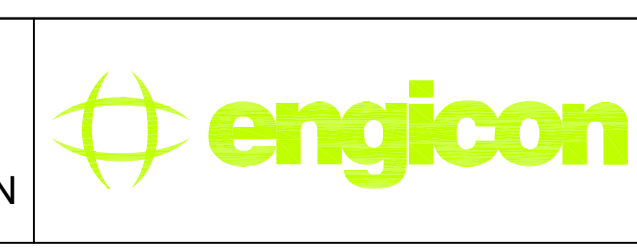
DRAWING NAME: FIRST FLOOR FRAMING PLAN AT LEVEL +103.85		
PLOT No 1496	LOCATION Marka	BASIN NO 1 Hanao Al Kassar

Design: A.KH.	Drawn: CAD	Checked: R.K	North:
SCALE: 1:100	Date: MAY 2019	Approved: W.Z.	Rev.: 0
DRAWING NUMBER: SKEP-18-SSP-403			



REV.	DATE	REMARKS

NOTES:



Jumana Bint Abi Taleb Basic Mixed School
(Amman- Marka)
SCHOOLS FOR A KNOWLEDGE ECONOMY
PROJECT (USAID SKEP)

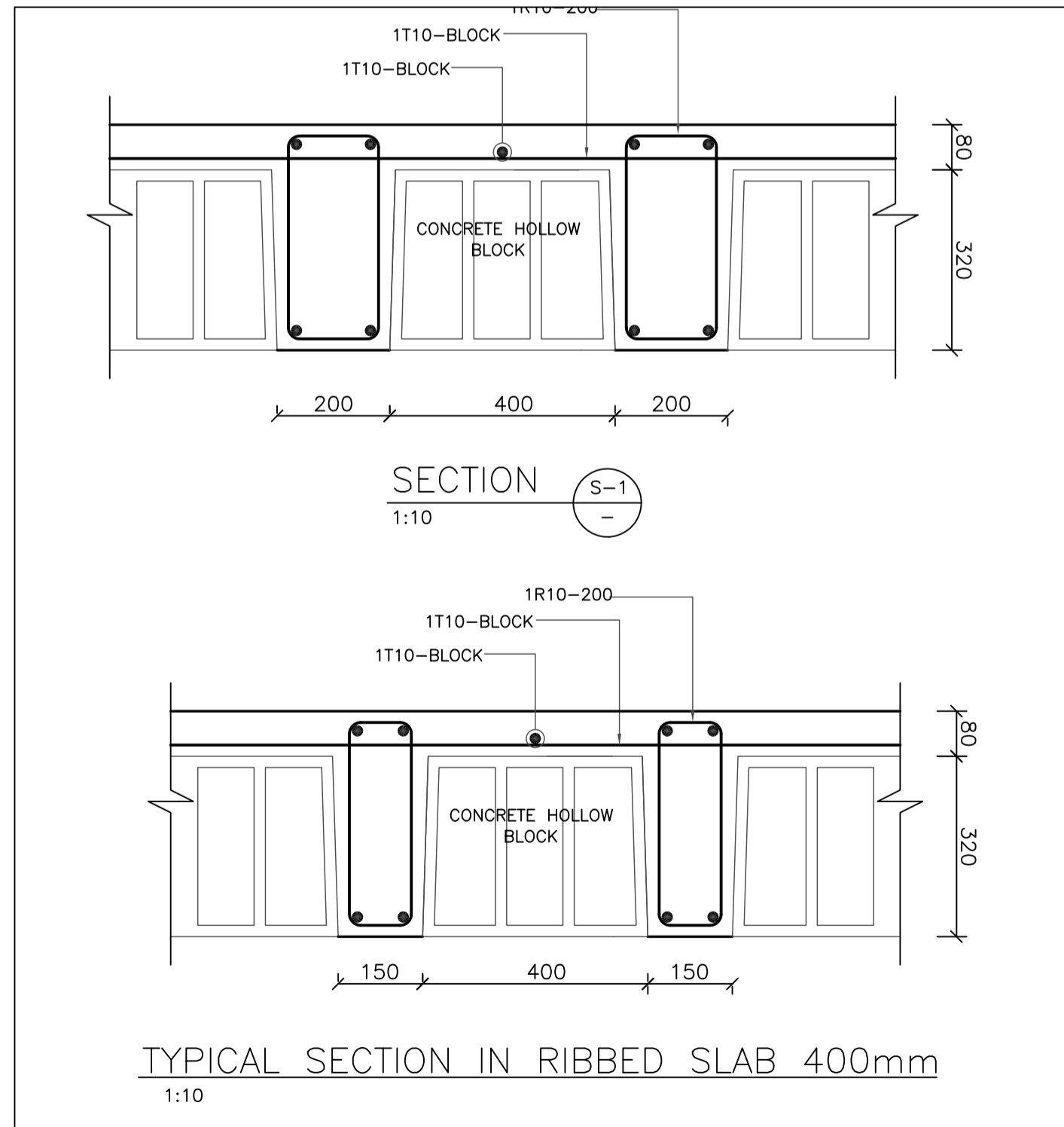
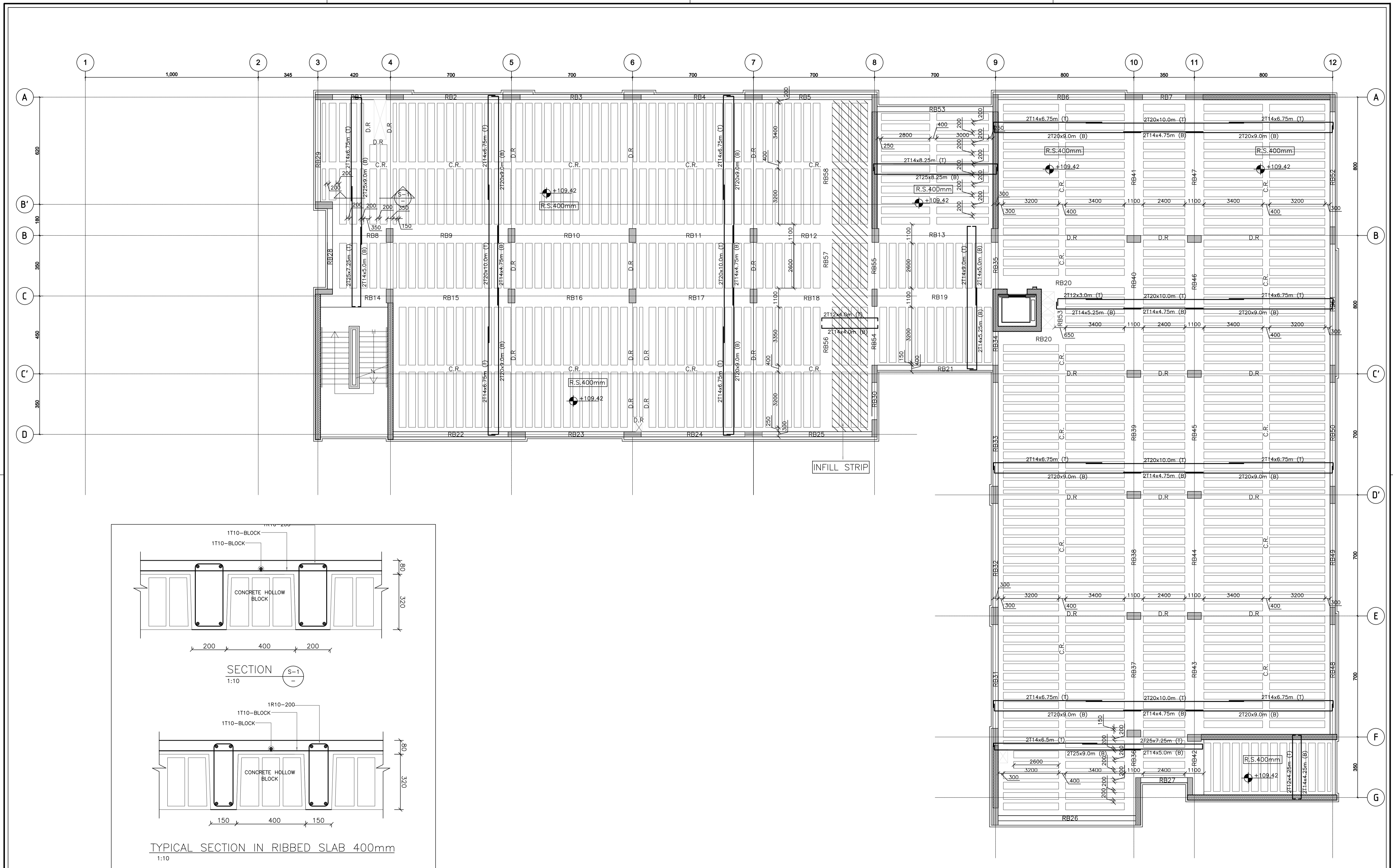
DRAWING NAME:
SECOND FLOOR FRAMING PLAN

PLOT No: 1496 LOCATION: Marka BASIN NO: 1 Hanao Al Kassab

Design: A.KH. Drawn: CAD Checked: R.K. North:

SCALE: 1:100 Date: MAY 2019 Approved: W.Z.

DRAWING NUMBER: **SKEP-18-SSP-404** Rev.: 0

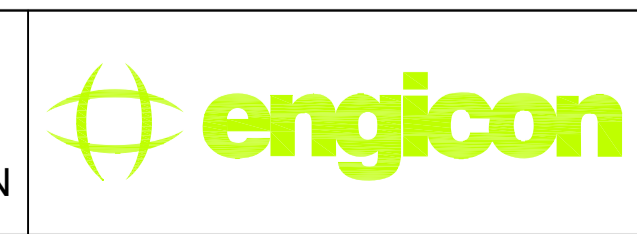


REV.	DATE	REMARKS

NOTES:



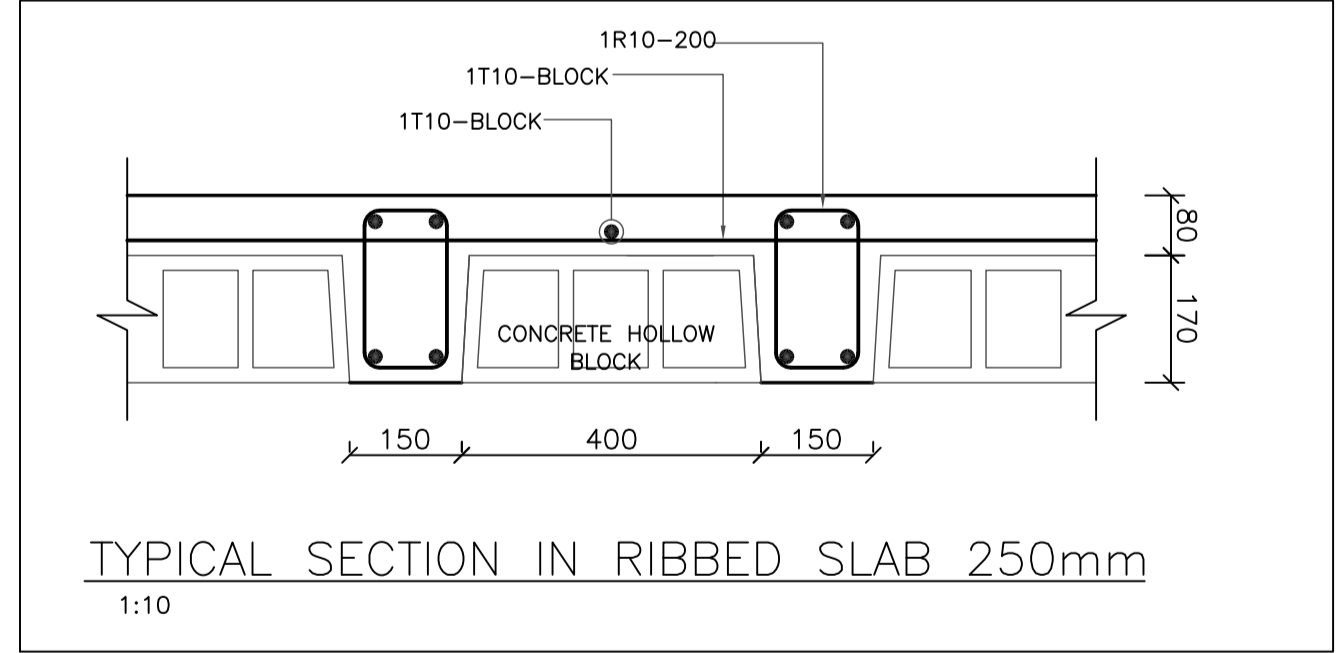
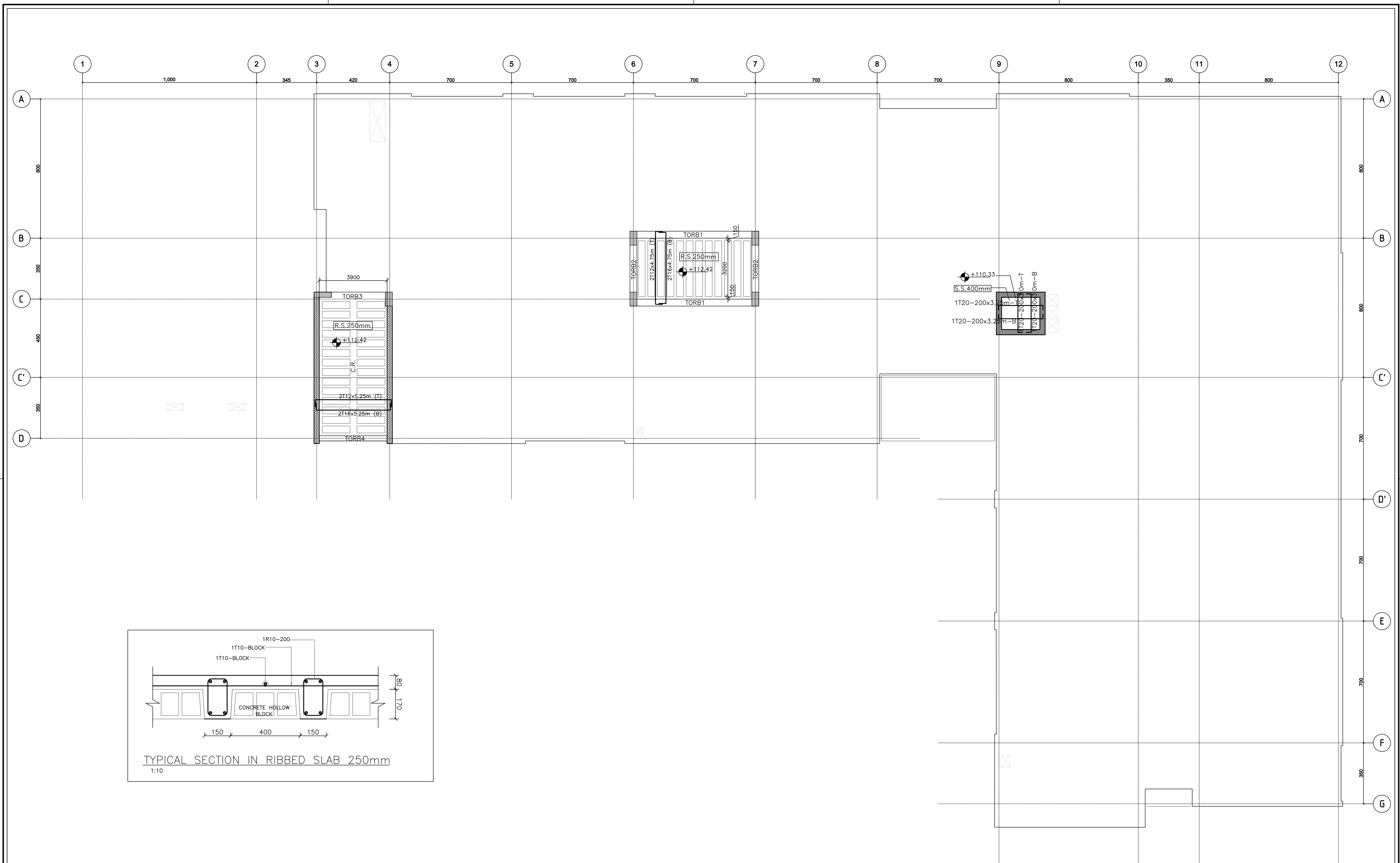
THE HASHEMITE KINGDOM OF JORDAN
MINISTRY OF EDUCATION



Jumana Bint Abi Taleb Basic Mixed School
(Amman- Marka)
SCHOOLS FOR A KNOWLEDGE ECONOMY PROJECT (USAID SKEP)

DRAWING NAME:
ROOF FLOOR FRAMING PLAN
DESIGN: A.KH.
SCALE: 1:100
DATE: MAY 2019
BASIN NO: 1 Hanao Al Kassab

Design: A.KH.
Drawn: CAD
Checked: R.K.
Date: MAY 2019
Approved: W.Z.
DRAWING NUMBER: SKEP-18-SSP-405
Rev.: 0



REV.	DATE	REMARKS

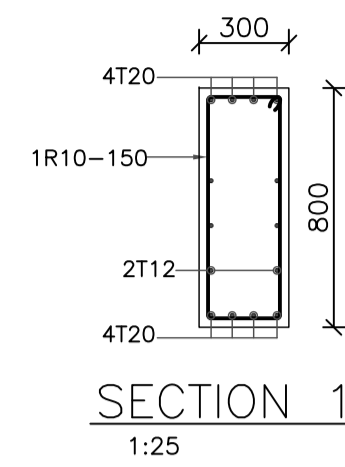
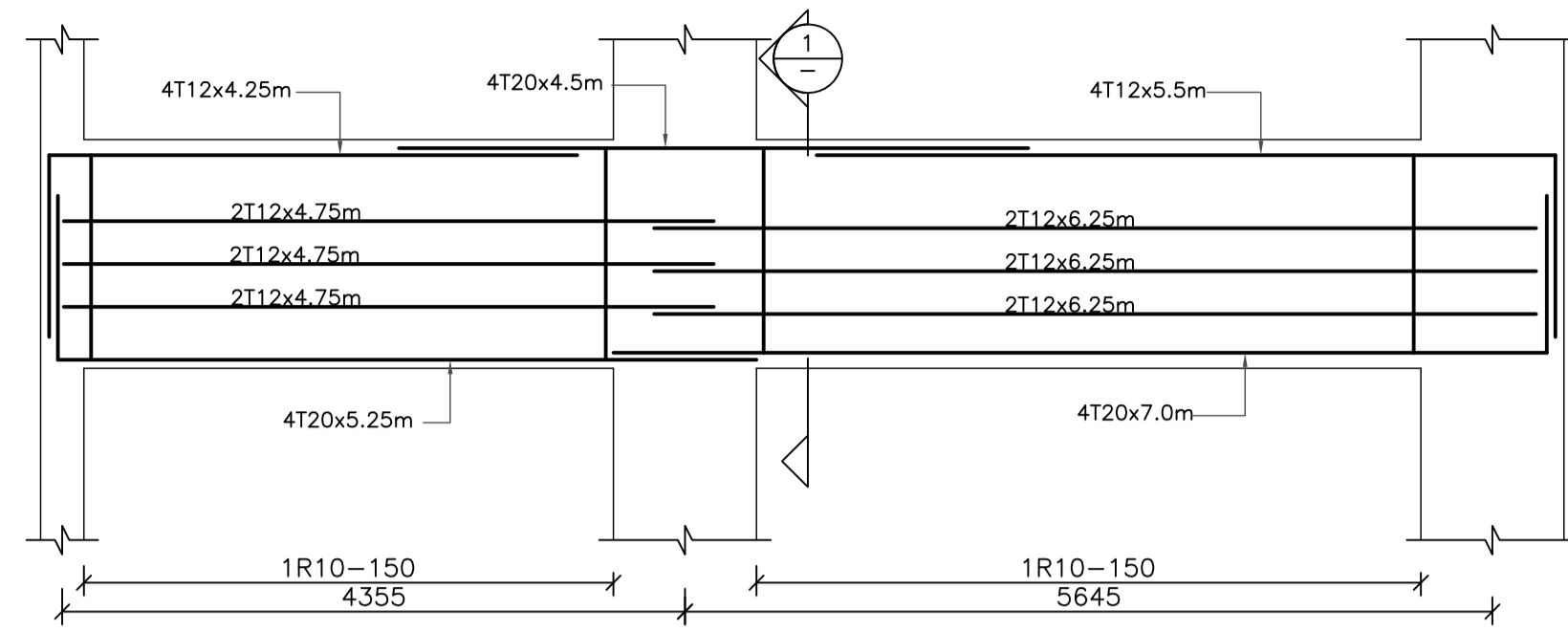
NOTES:



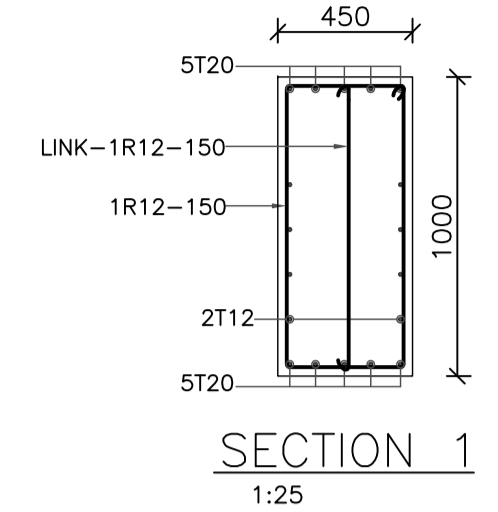
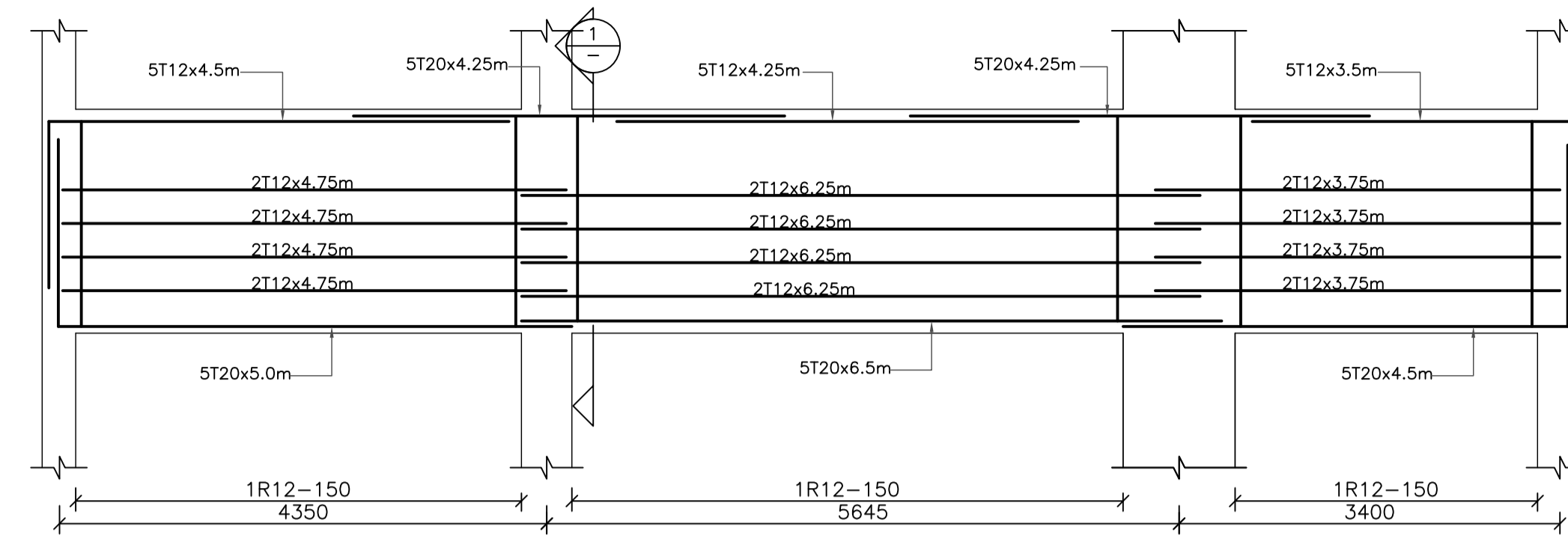
Jumana Bint Abi Taleb Basic Mixed School
(Amman- Marka)
SCHOOLS FOR A KNOWLEDGE ECONOMY
PROJECT (USAID SKEP)

DRAWING NAME: TOP OF ROOF FRAMING PLAN		
DESIGN: A.KH.	DRAWN: CAD	CHECKED: R.K
SCALE: 1:100	DATE: MAY 2019	APPROVED: W.Z.
PLOT No: 1496	LOCATION: Marka	BASIN NO: 1 Hanao Al Kassar

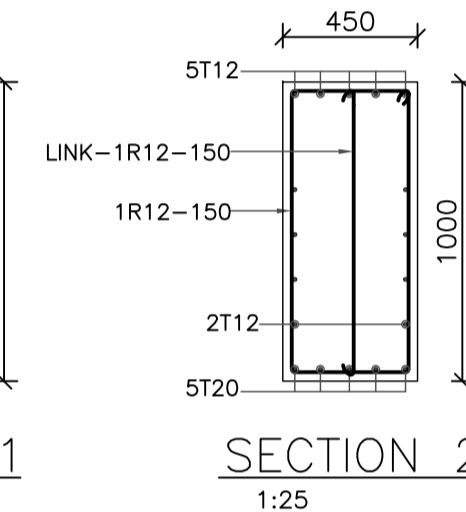
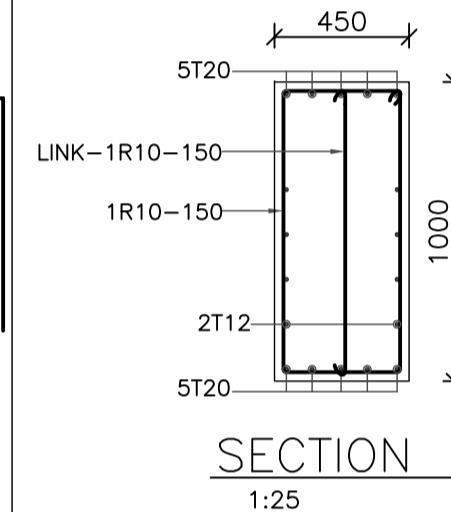
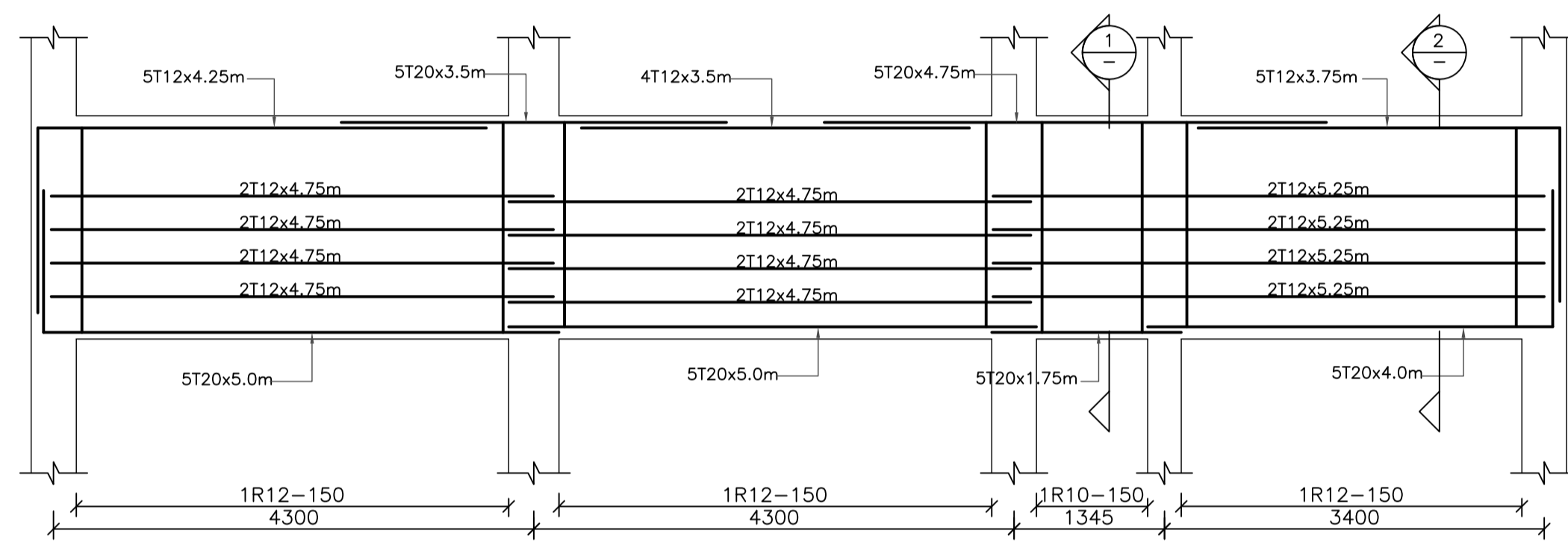
DRAWING NUMBER: SKEP-18-SSP-406		Rev.: 0
------------------------------------	--	------------



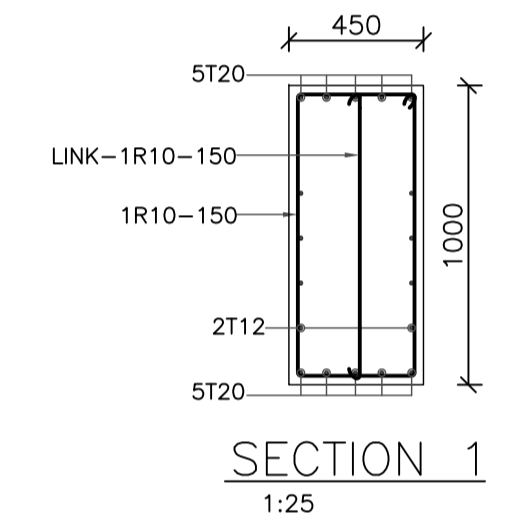
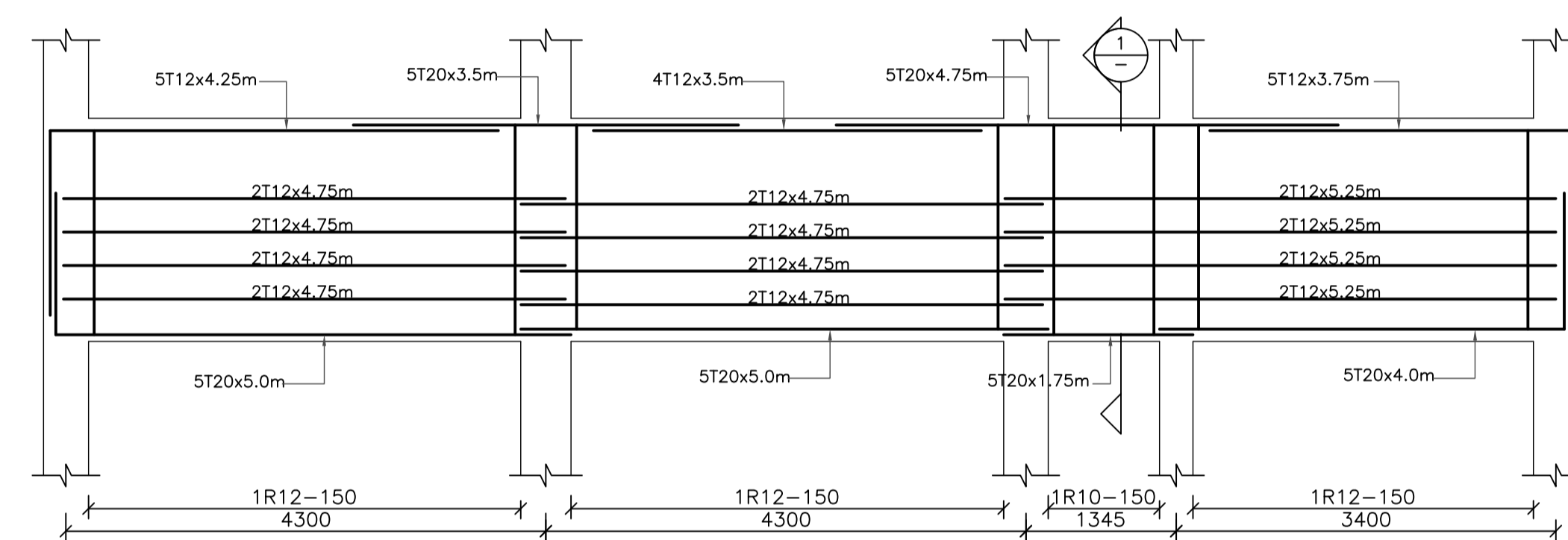
GFB1/GFB2
1:50/1:25



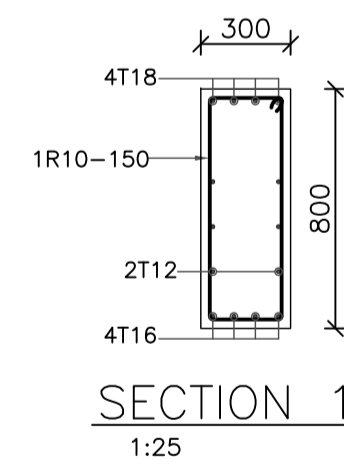
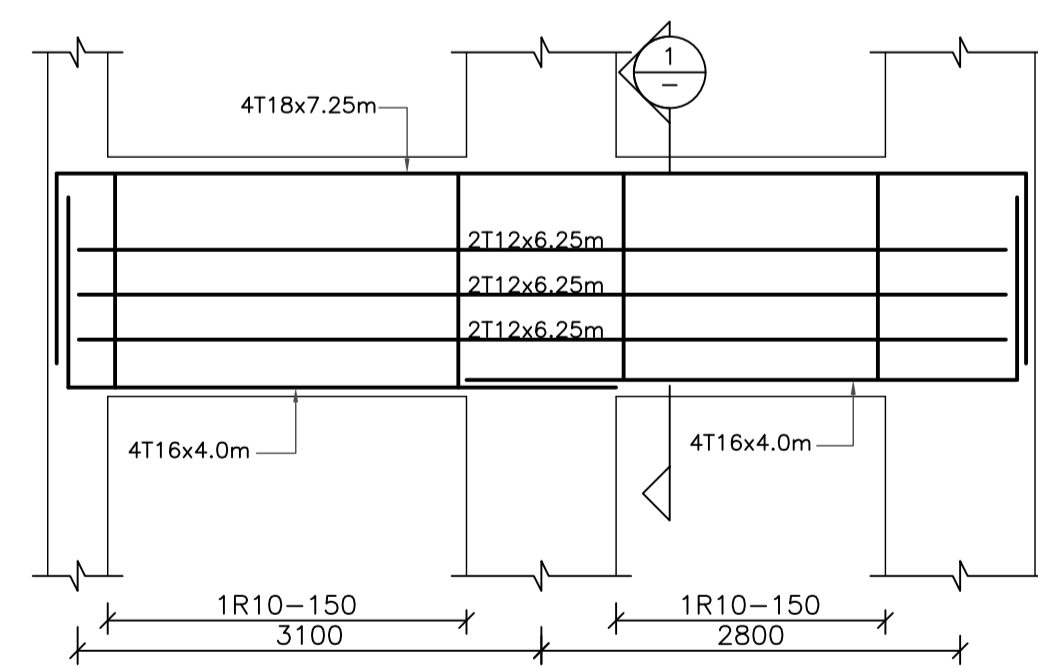
GFB2/GFB3/GFB4
1:50/1:25



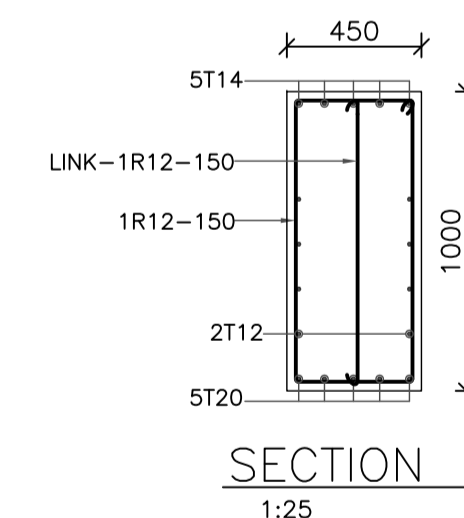
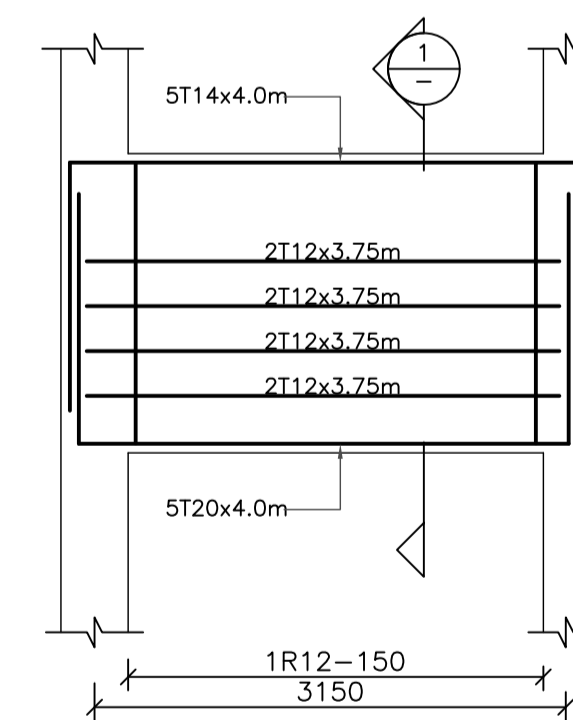
GFB5/GFB6/GFB7/GFB8
1:50/1:25



GFB9/GFB10/GFB11/GFB12
1:50/1:25



GFB13/GFB14
1:50/1:25



GFB15
1:50/1:25

REV.	DATE	REMARKS

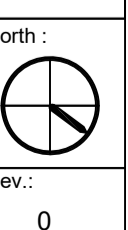
NOTES:

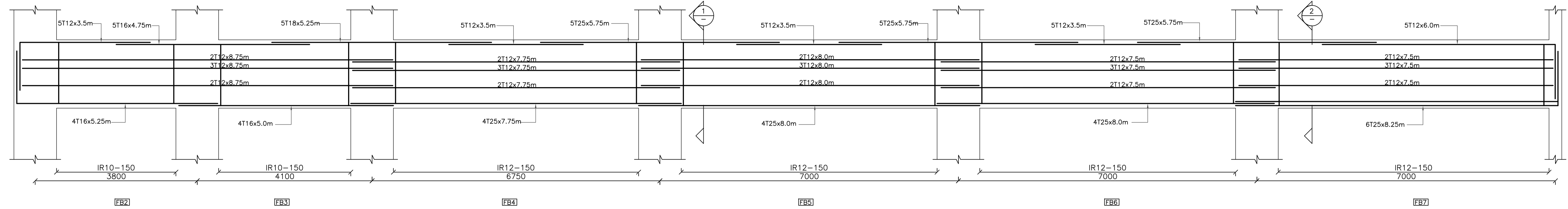


Jumana Bint Abi Taleb Basic Mixed School
(Amman- Marka)
SCHOOLS FOR A KNOWLEDGE ECONOMY
PROJECT (USAID SKEP)

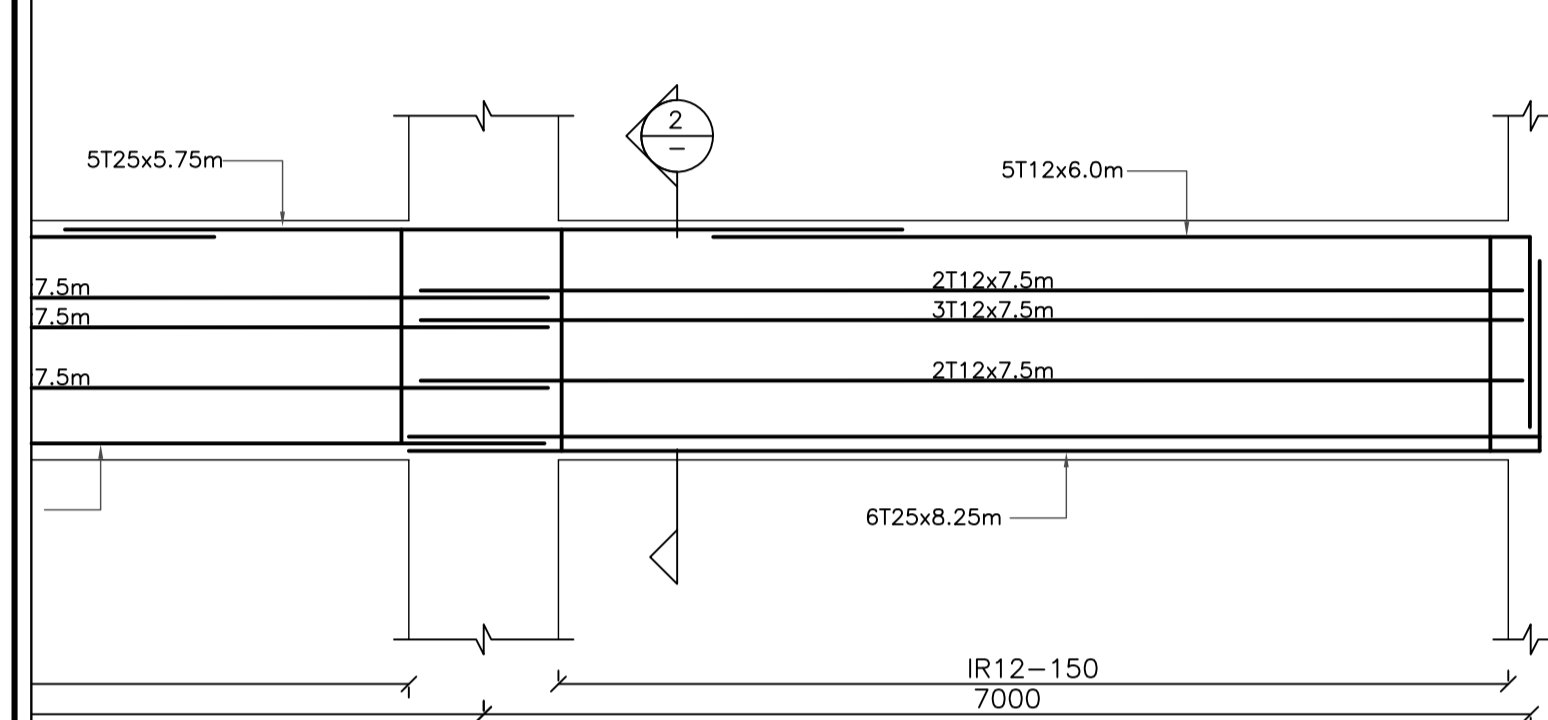
DRAWING NAME: GROUND FLOOR BEAMS		
DESIGN: A.KH.	DRAWN: CAD	CHECKED: R.K
SCALE: 1:50-1:25	DATE: MAY 2019	APPROVED: W.Z.
PLOT No: 1496	LOCATION: Marka	BASIN NO: 1 Hanau Al Kassar

DRAWING NUMBER: SKEP-18-SSB-500		Rev.: 0
------------------------------------	--	------------

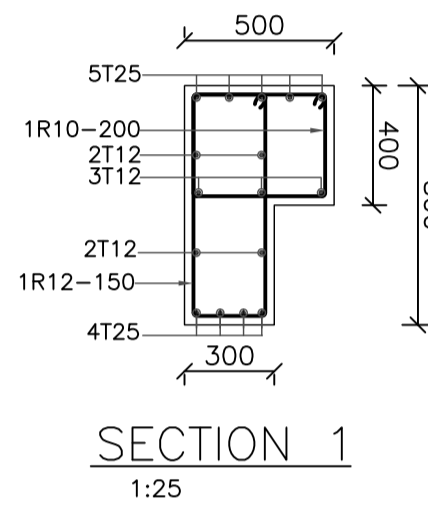




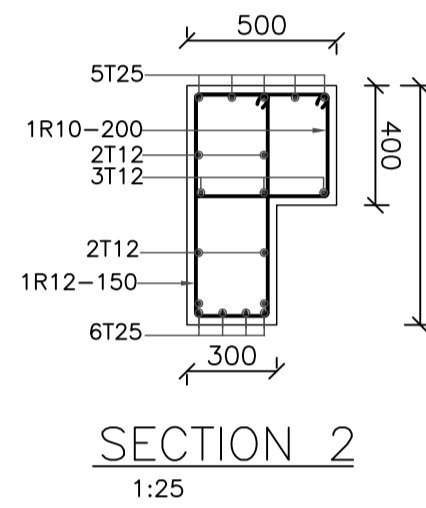
FB2/FB3/FB4/FB5/FB6/FB7
1:50/1:25



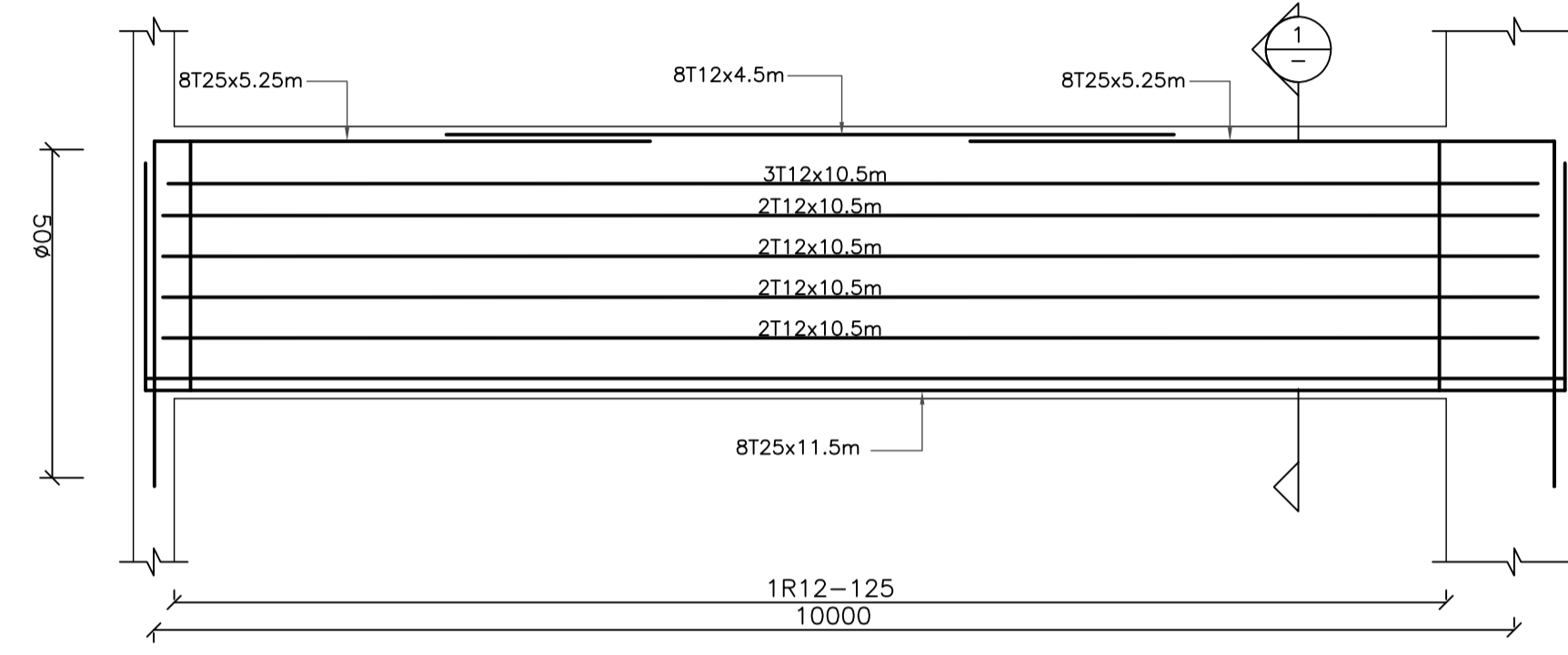
FB7



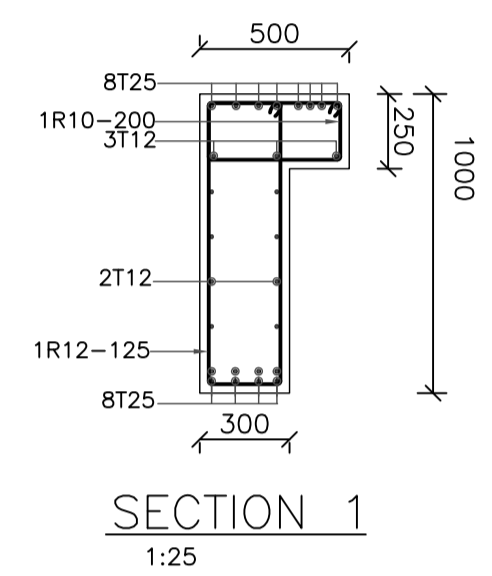
SECTION 1
1:25



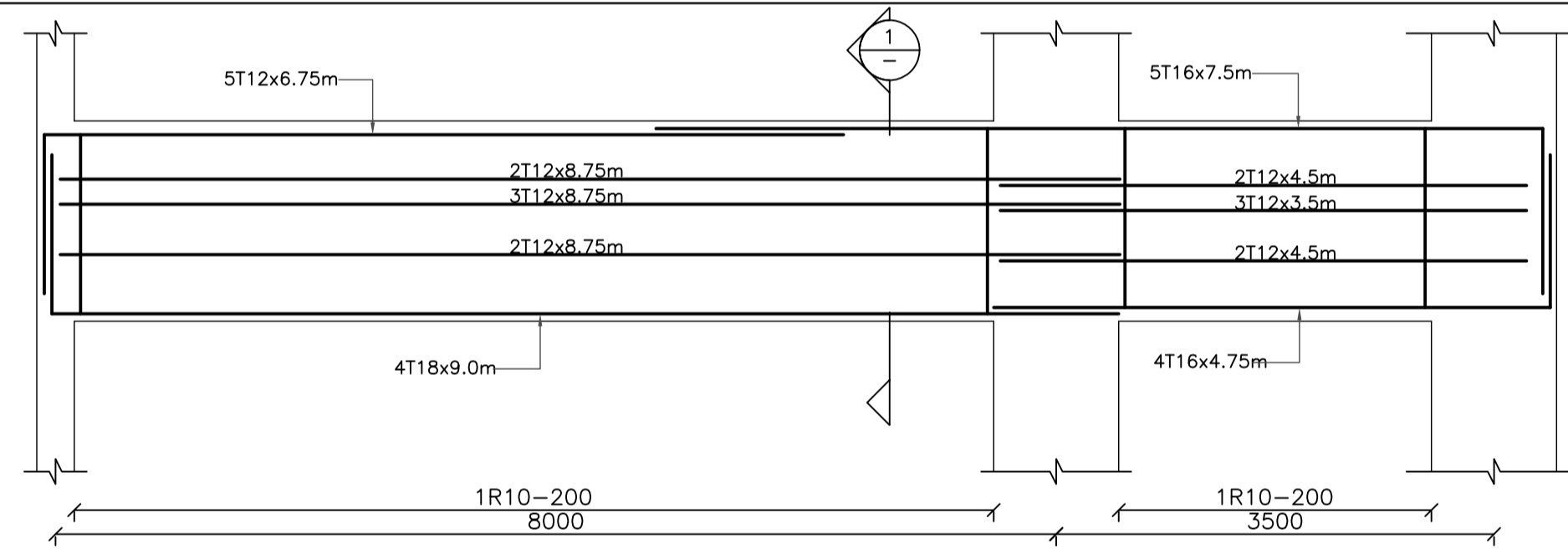
SECTION 2
1:25



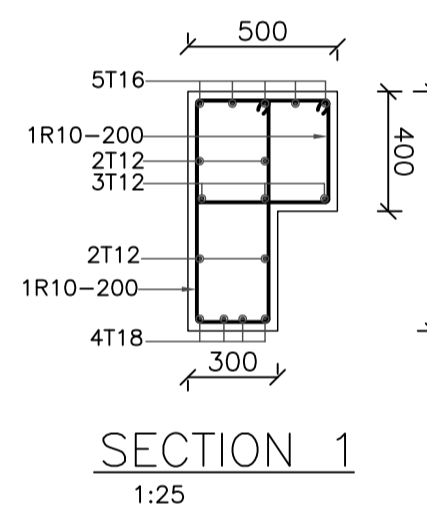
FB1
1:50/1:25



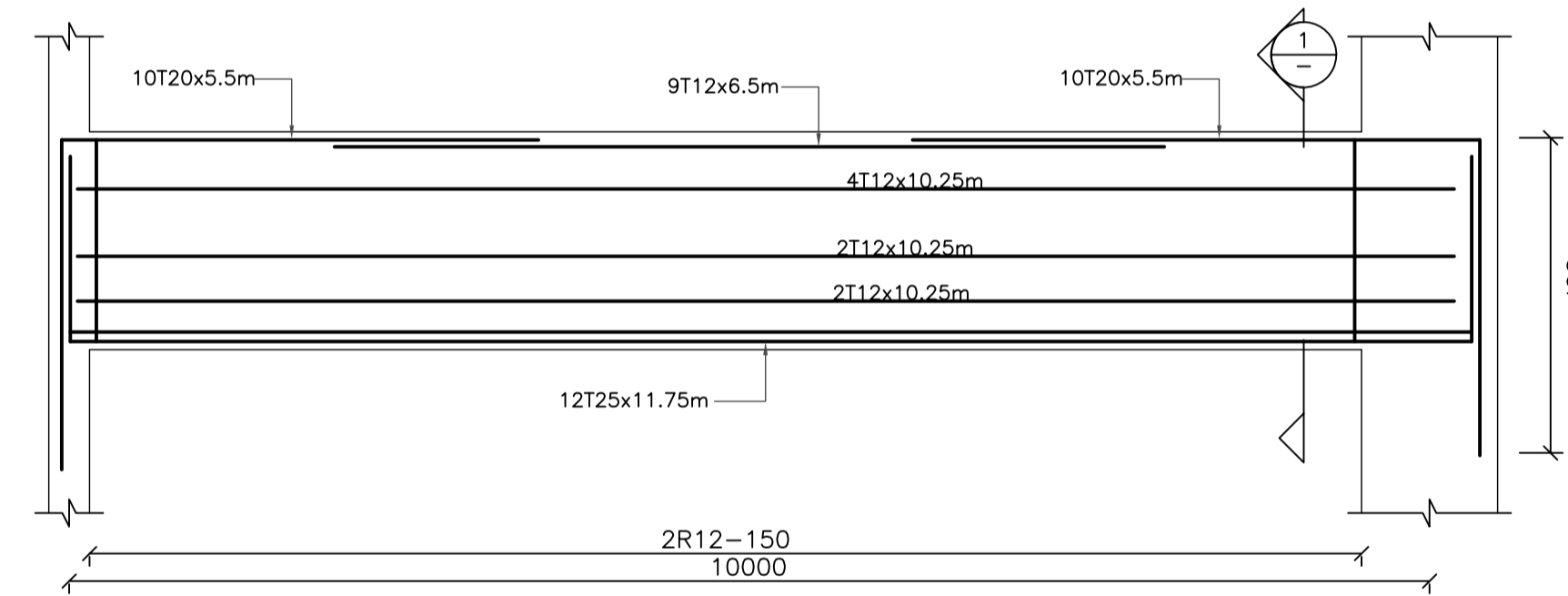
SECTION 1
1:25



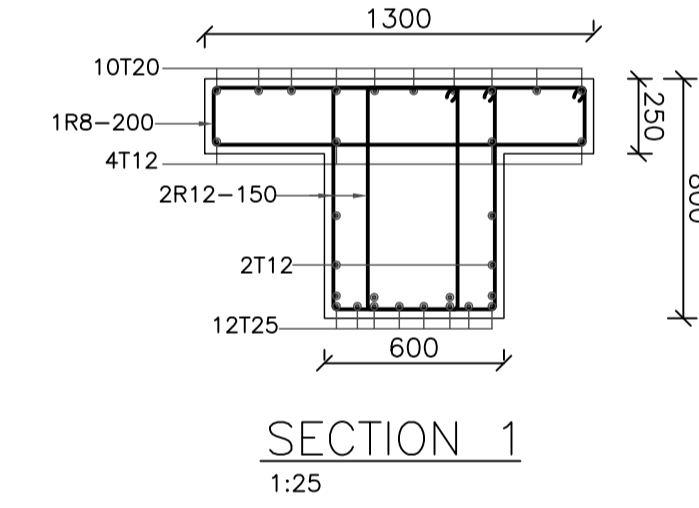
FB8/FB9
1:50/1:25



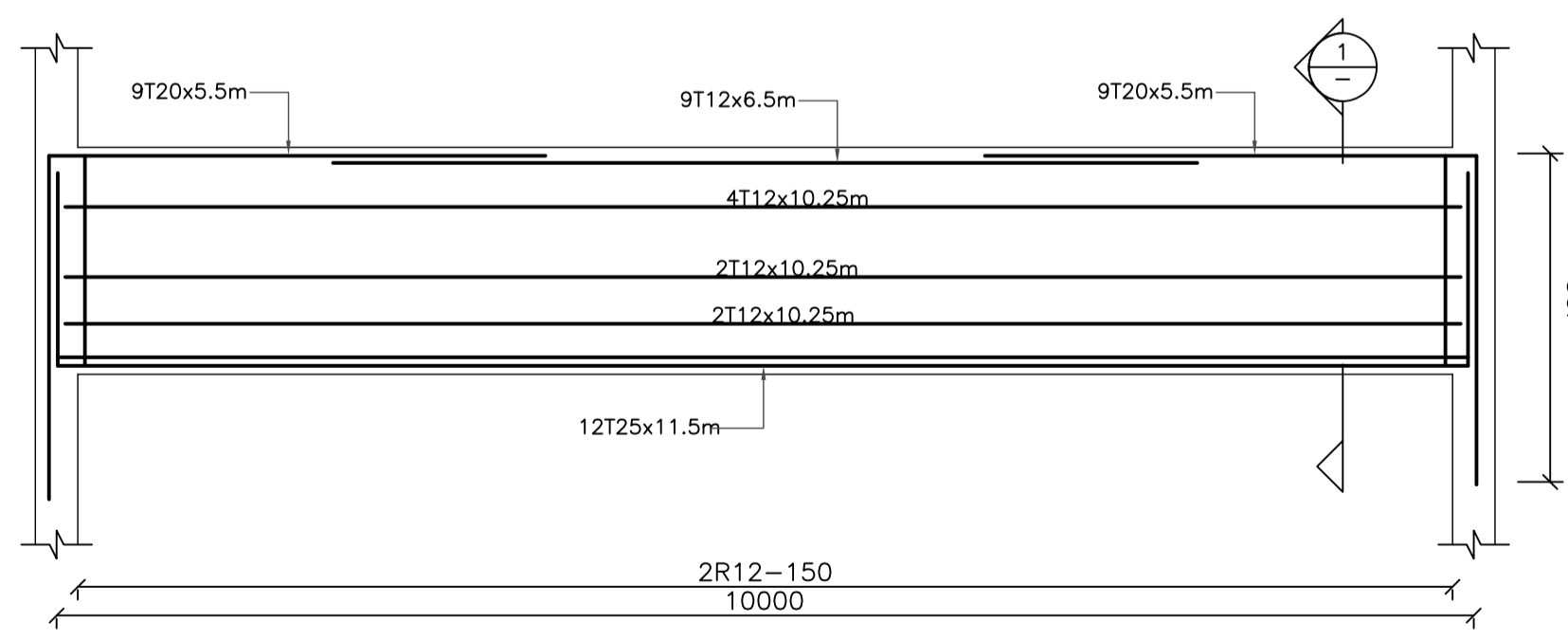
SECTION 1
1:25



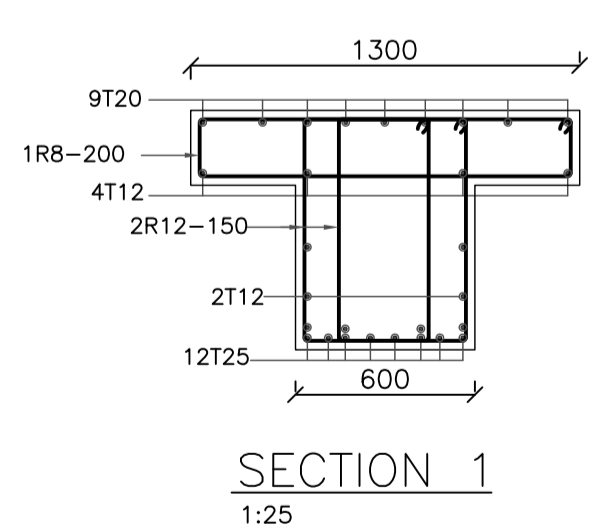
FB10
1:50/1:25



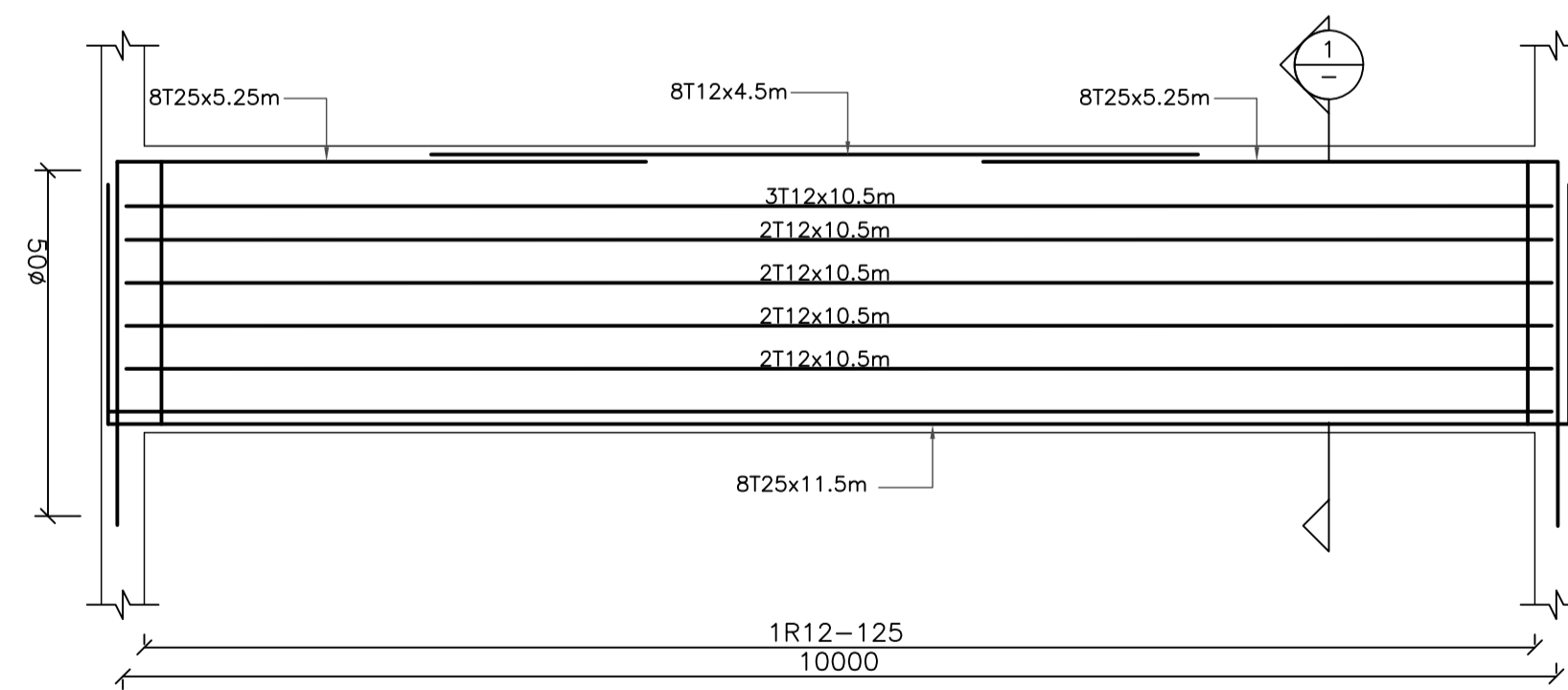
SECTION 1
1:25



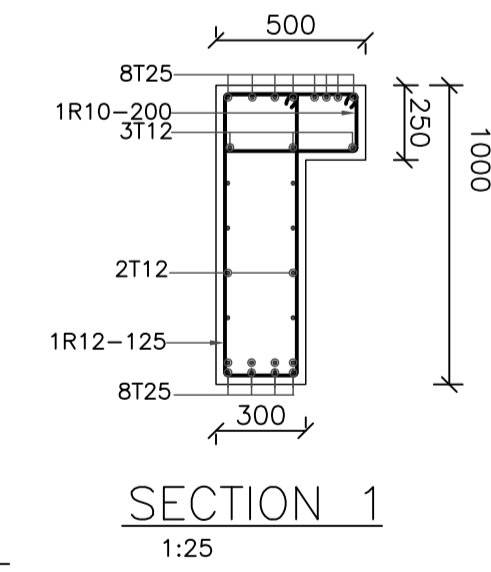
FB11
1:50/1:25



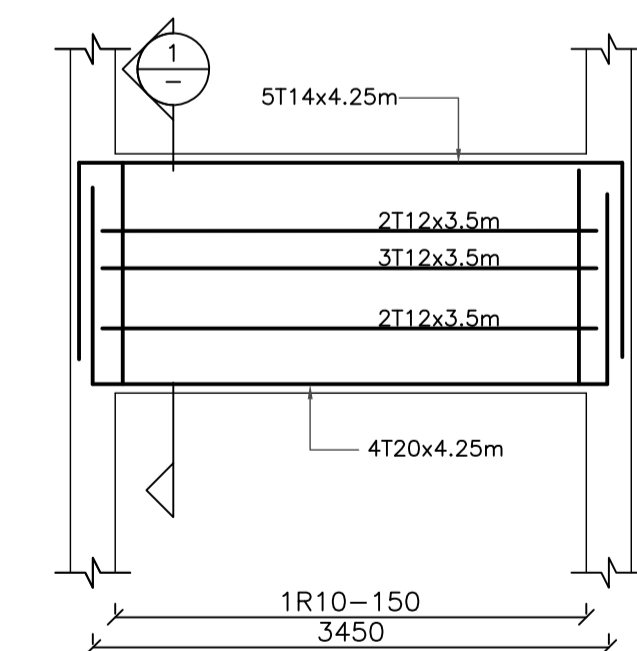
SECTION 1
1:25



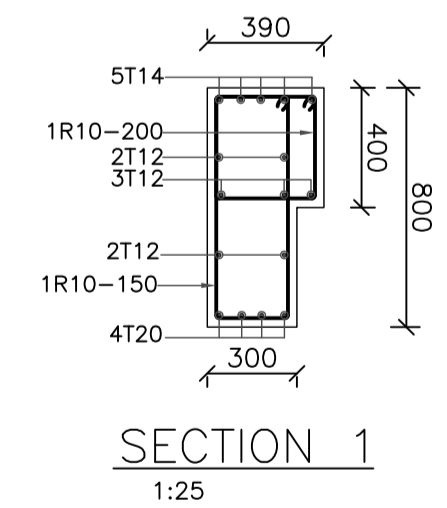
FB28
1:50/1:25



SECTION 1
1:25



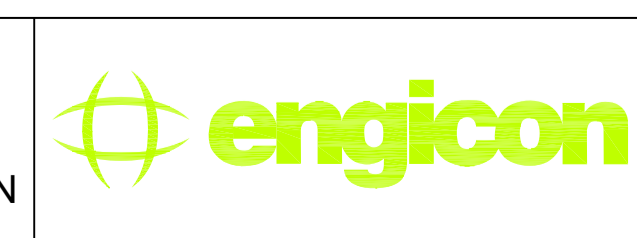
FB29
1:50/1:25



SECTION 1
1:25

REV.	DATE	REMARKS

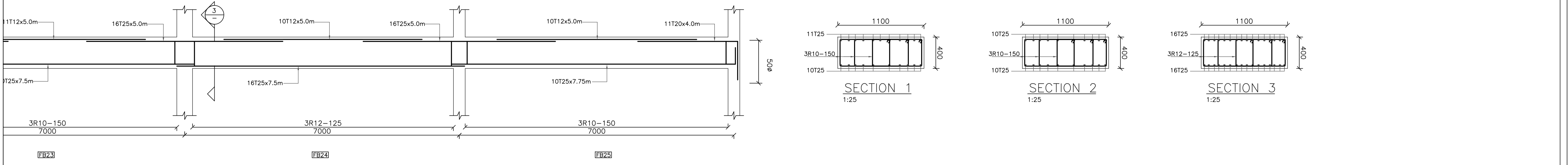
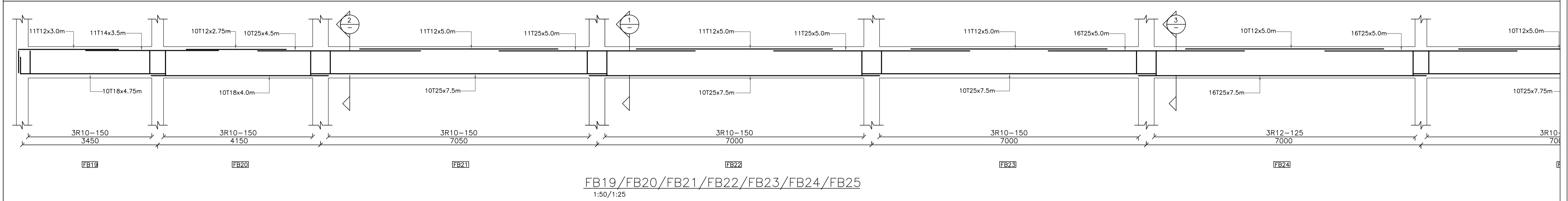
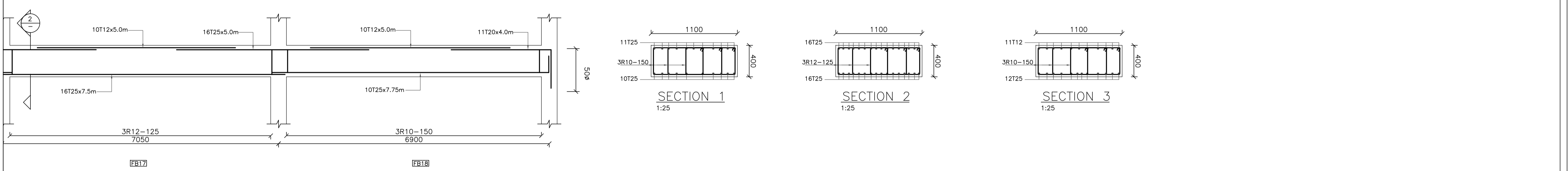
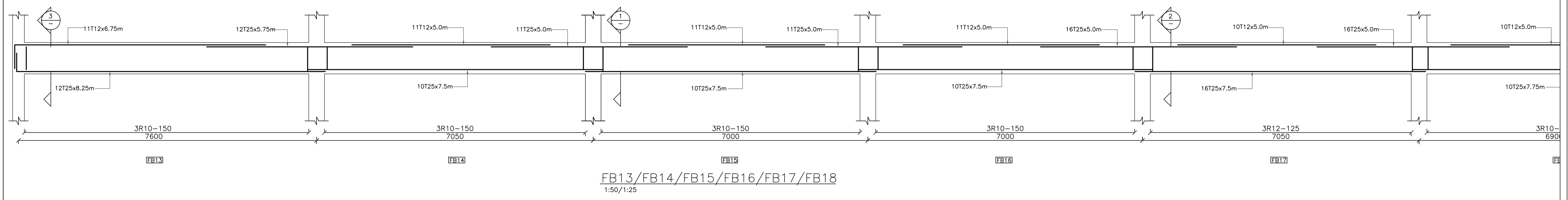
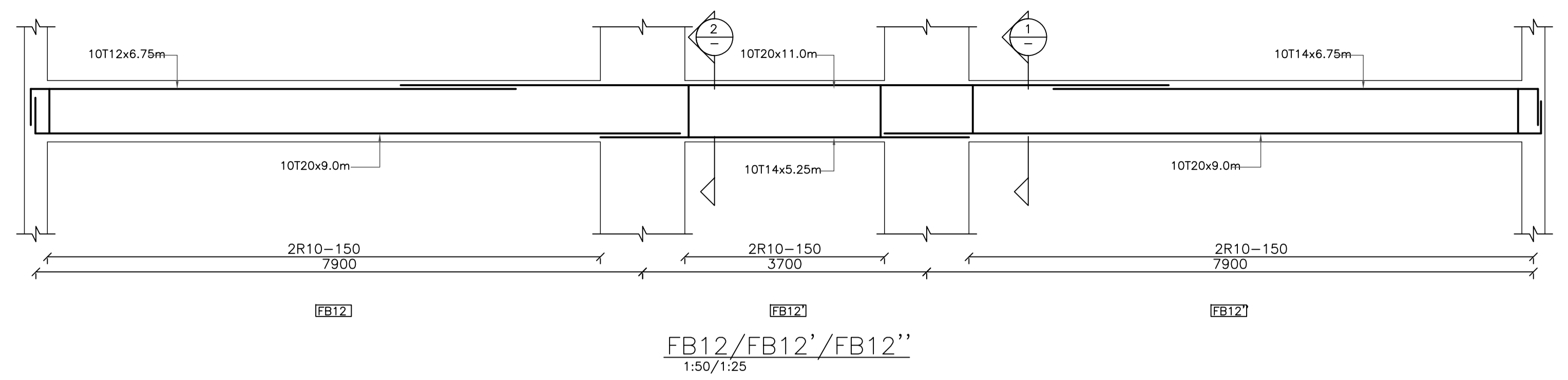
NOTES:



Jumana Bint Abi Taleb Basic Mixed School
(Amman- Marka)
SCHOOLS FOR A KNOWLEDGE ECONOMY
PROJECT (USAID SKEP)

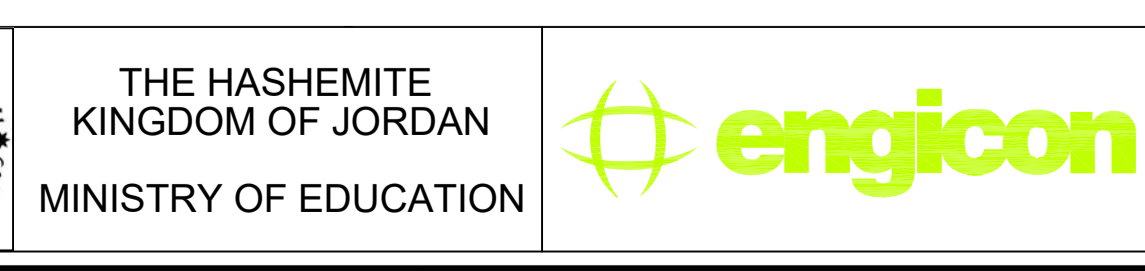
DRAWING NAME: FIRST FLOOR BEAMS-1-		
DESIGN: A.KH.	DRAWN: CAD	CHECKED: R.K
SCALE: 1:50-1:25	DATE: MAY 2019	APPROVED: W.Z.
PLOT No: 1496	LOCATION: Marka	BASIN NO: 1 Hanao Al Kassar

DESIGN: A.KH.	DRAWN: CAD	CHECKED: R.K	North:
SCALE: 1:50-1:25	DATE: MAY 2019	APPROVED: W.Z.	Rev.: 0
DRAWING NUMBER: SKEP-18-SSB-501			



REV.	DATE	REMARKS

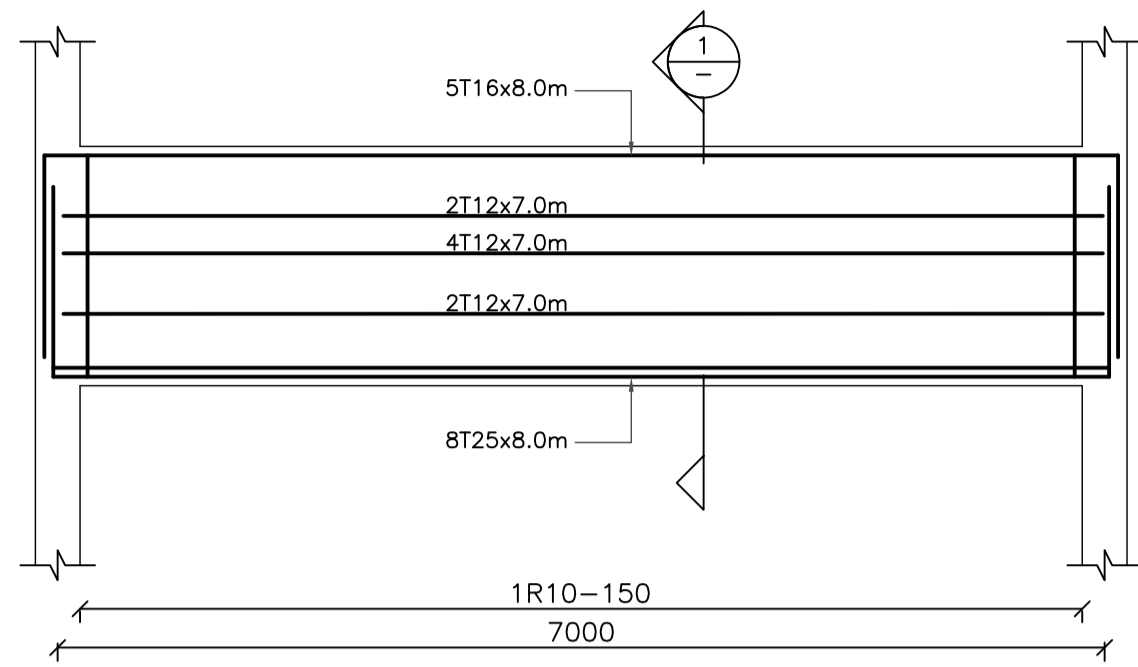
NOTES:



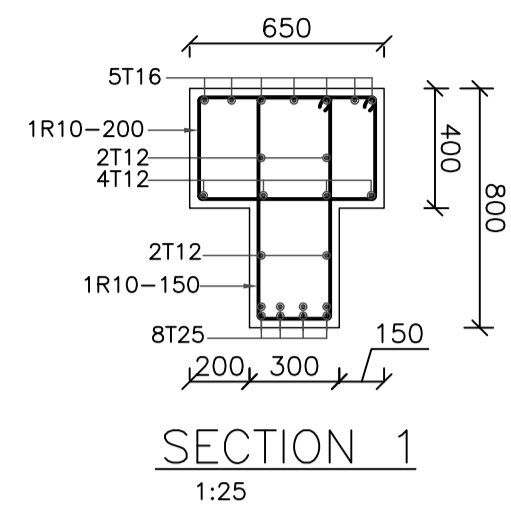
Jumana Bint Abi Taleb Basic Mixed School
(Amman- Marka)
SCHOOLS FOR A KNOWLEDGE ECONOMY
PROJECT (USAID SKEP)

DRAWING NAME: FIRST FLOOR BEAMS-2-		
DESIGN: A.KH.	DRAWN: CAD	CHECKED: R.K
SCALE: 1:50-1:25	DATE: MAY 2019	APPROVED: W.Z.
PLOT No: 1496	LOCATION: Marka	BASIN NO: 1 Hanao Al Kassar
DRAWING NUMBER: SKEP-18-SSB-502		

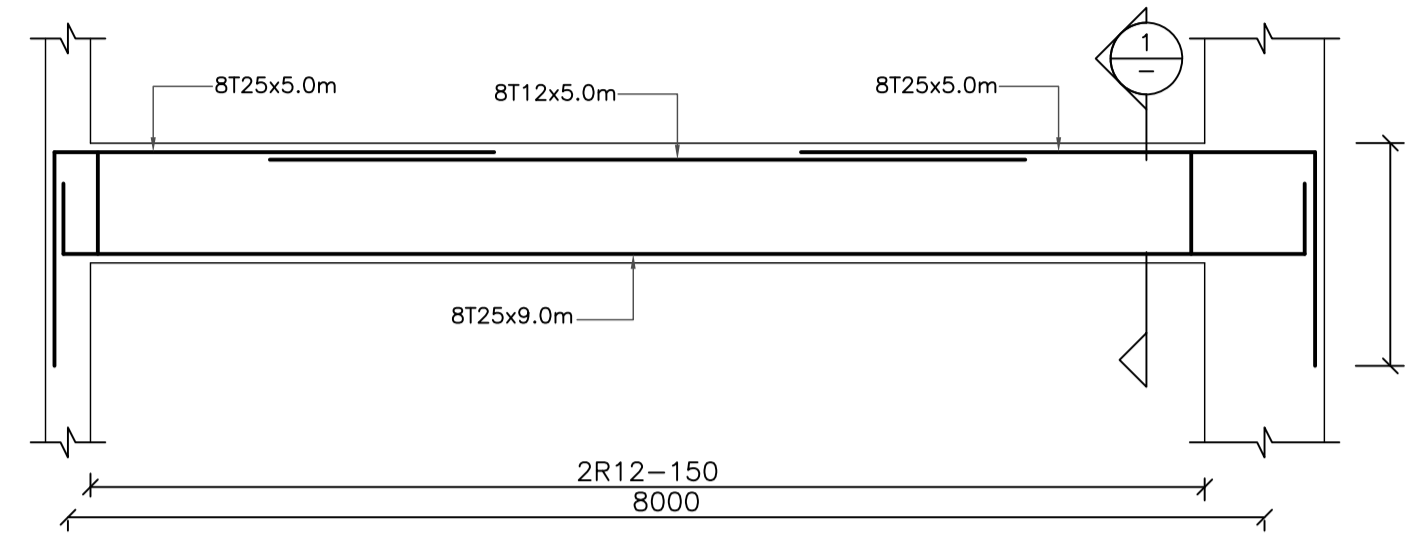
Rev.:	0
-------	---



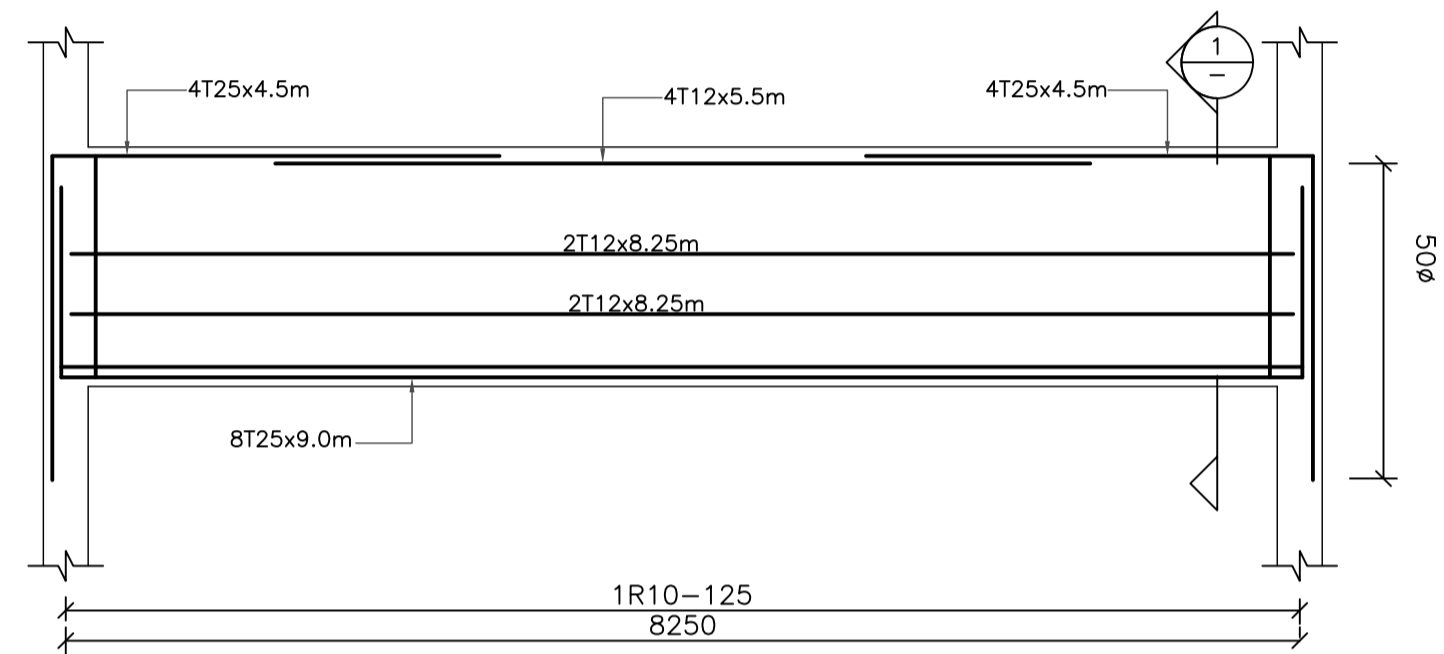
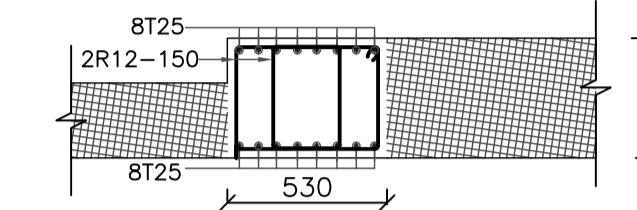
FB27
1:50/1:25



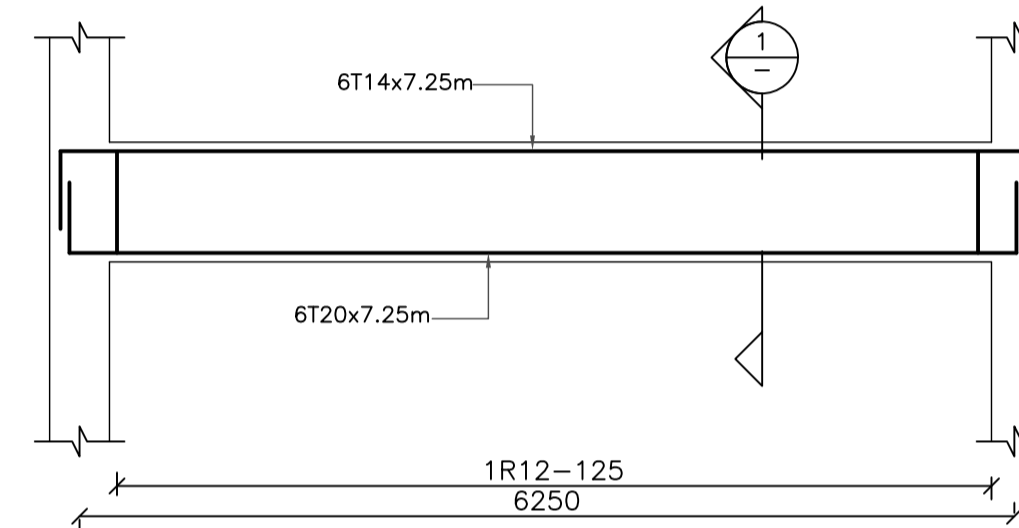
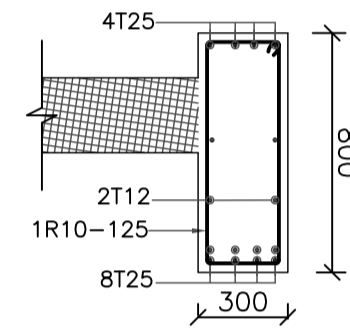
SECTION 1
1:25



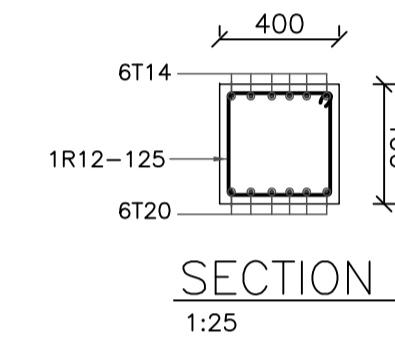
FB35
1:50/1:25



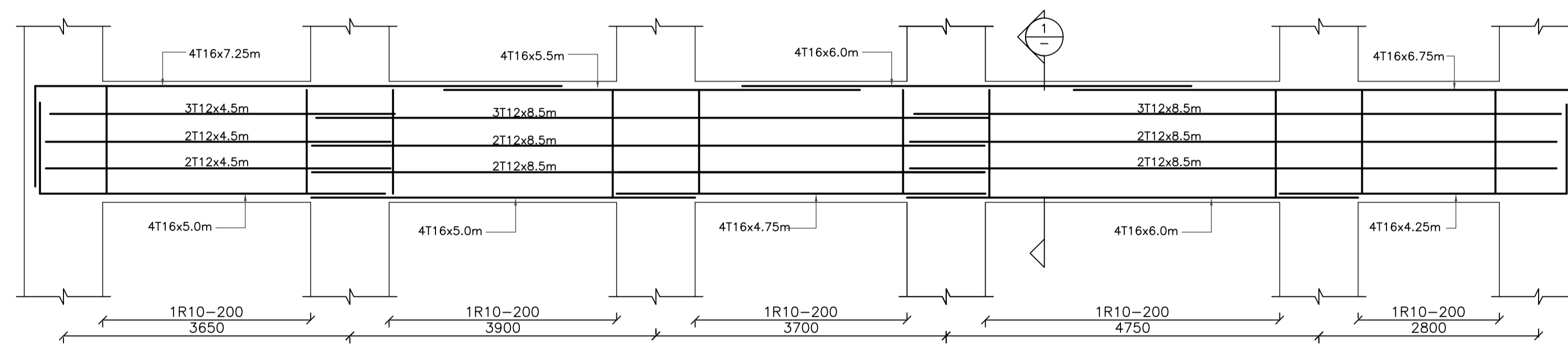
FB36
1:50/1:25



FB37
1:50/1:25

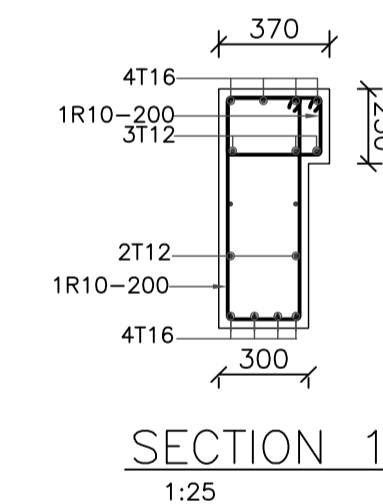


SECTION 1
1:25

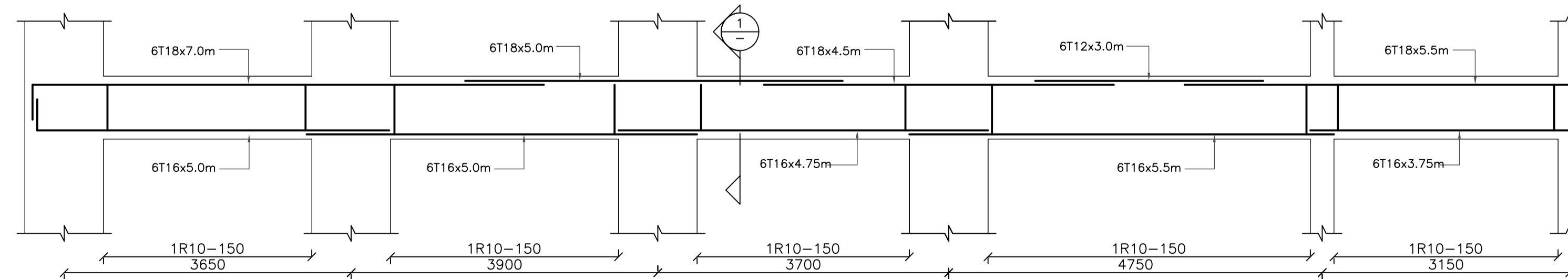


FB38 FB39 FB40 FB41 FB42

FB38/FB39/FB40/FB41/FB42
1:50/1:25

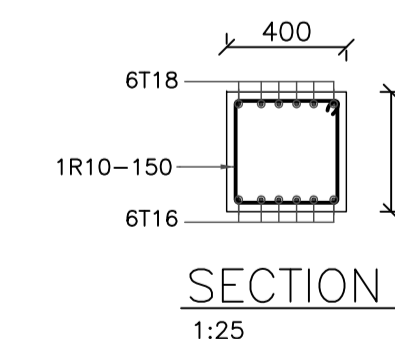


SECTION 1
1:25



FB43 FB44 FB45 FB46 FB47

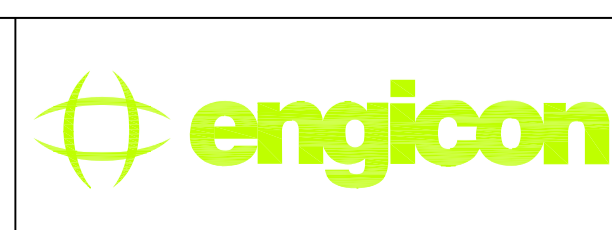
FB43/44/FB45/FB46/FB47
1:50/1:25



SECTION 1
1:25

REV.	DATE	REMARKS

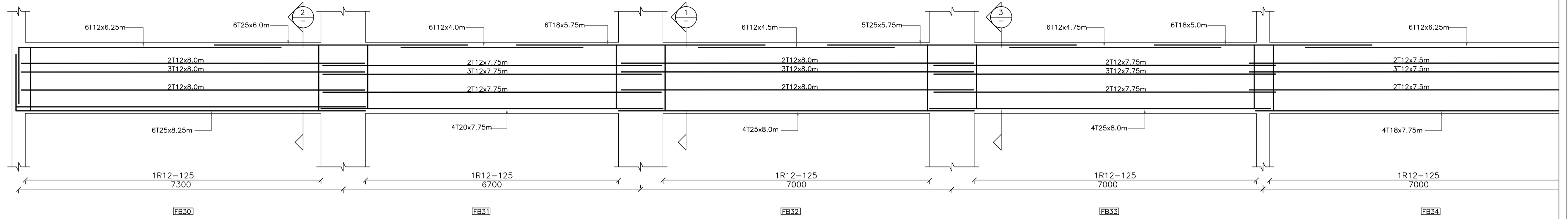
NOTES:



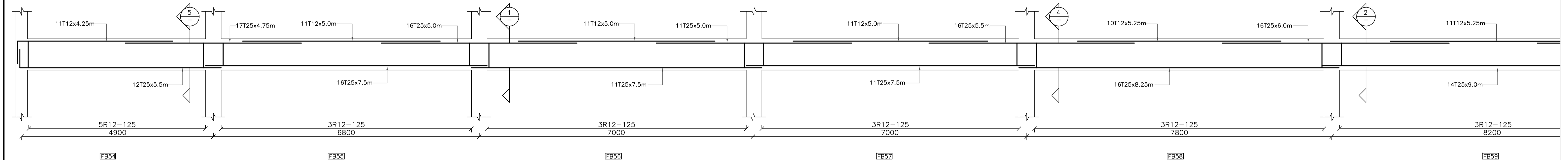
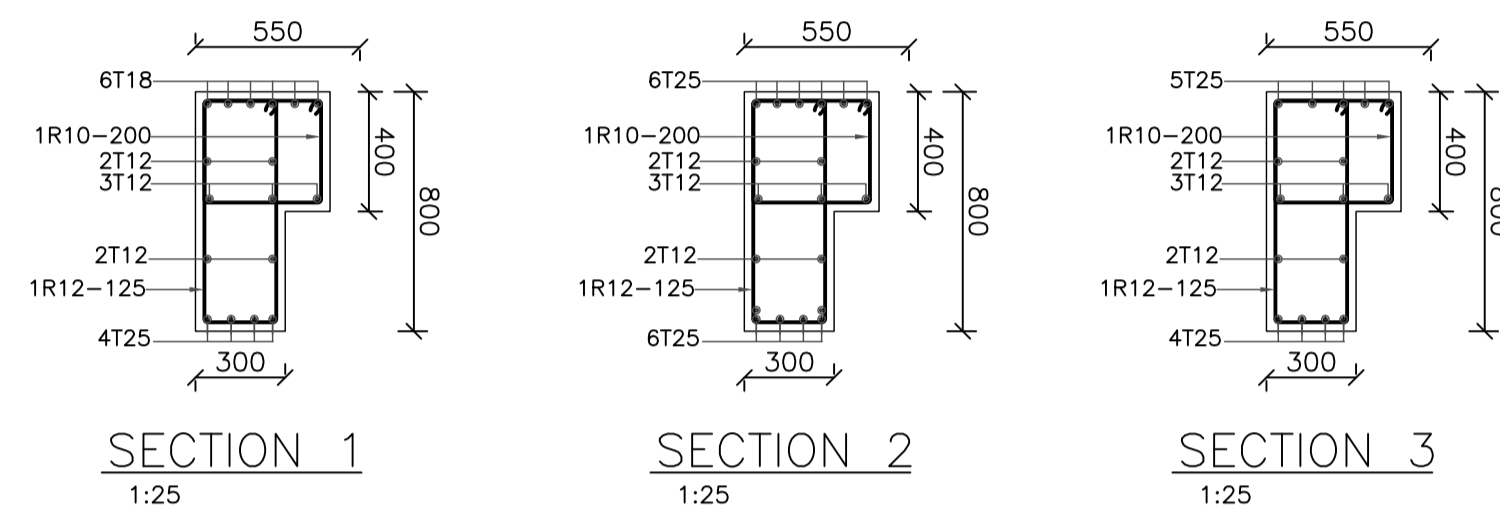
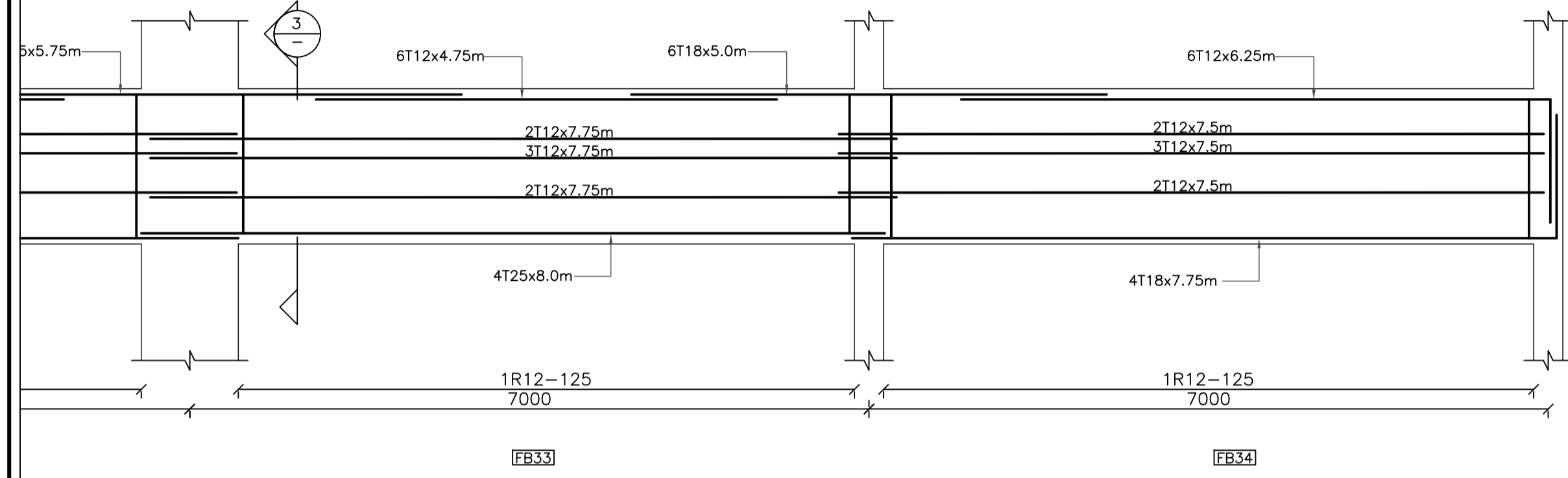
Jumana Bint Abi Taleb Basic Mixed School
(Amman- Marka)
SCHOOLS FOR A KNOWLEDGE ECONOMY
PROJECT (USAID SKEP)

DRAWING NAME: FIRST FLOOR BEAMS-3-		
Design: A.KH.	Drawn: CAD	Checked: R.K
SCALE: 1:50-1:25	Date: MAY 2019	Approved: W.Z.
PLOT No 1496	LOCATION Marka	BASIN NO 1 Hanao Al Kassar
DRAWING NUMBER: SKEP-18-SSB-503		

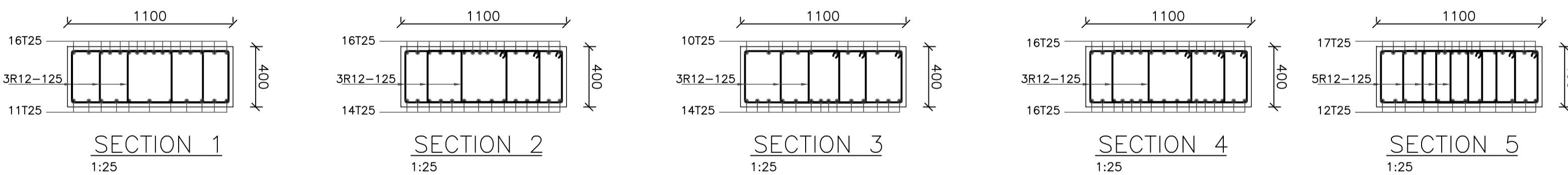
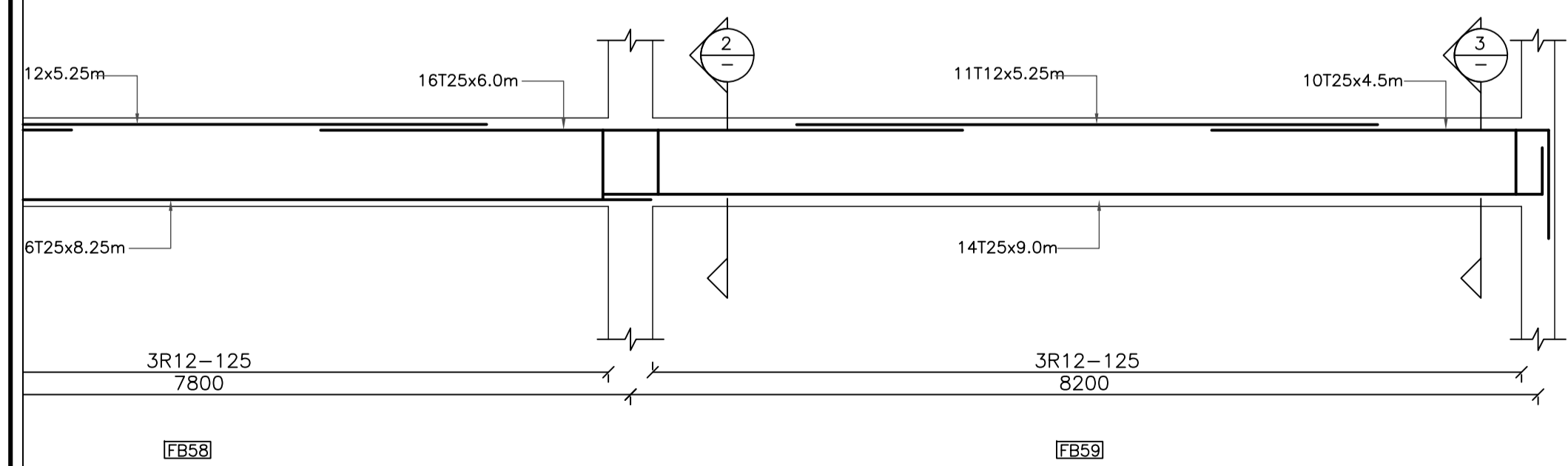
Rev.:	0
-------	---



FB30/FB31/FB32/FB33/FB34
1:50/1:25

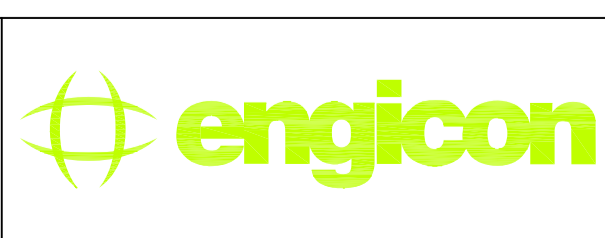


FB54/FB55/FB56/FB57/FB58/FB59
1:50/1:25



REV.	DATE	REMARKS

NOTES:



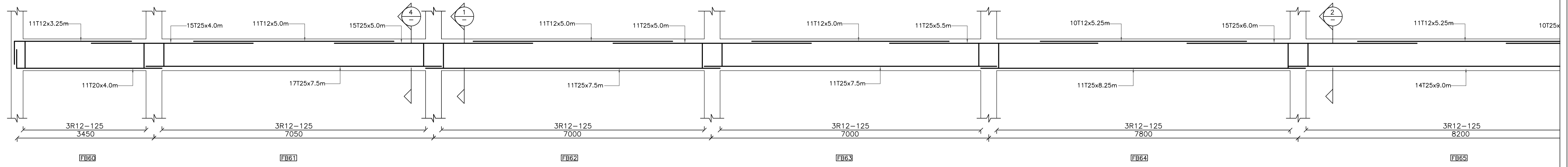
Jumana Bint Abi Taleb Basic Mixed School
(Amman- Marka)
SCHOOLS FOR A KNOWLEDGE ECONOMY
PROJECT (USAID SKEP)

DRAWING NAME:
FIRST FLOOR BEAMS-4-

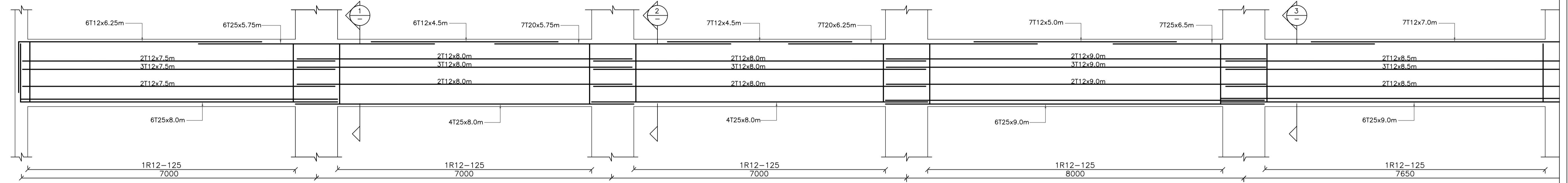
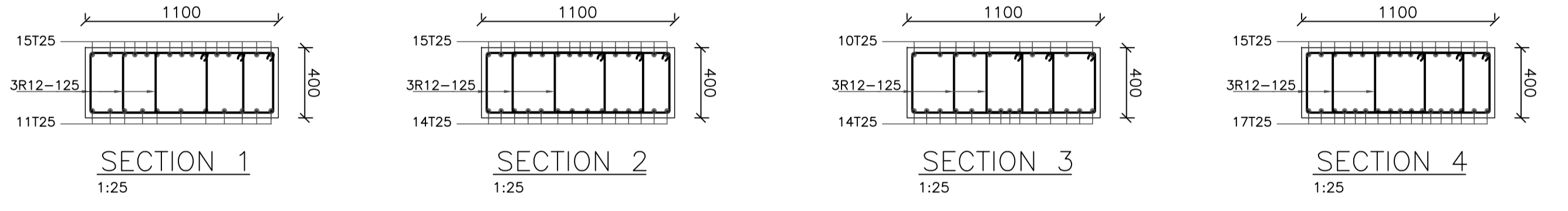
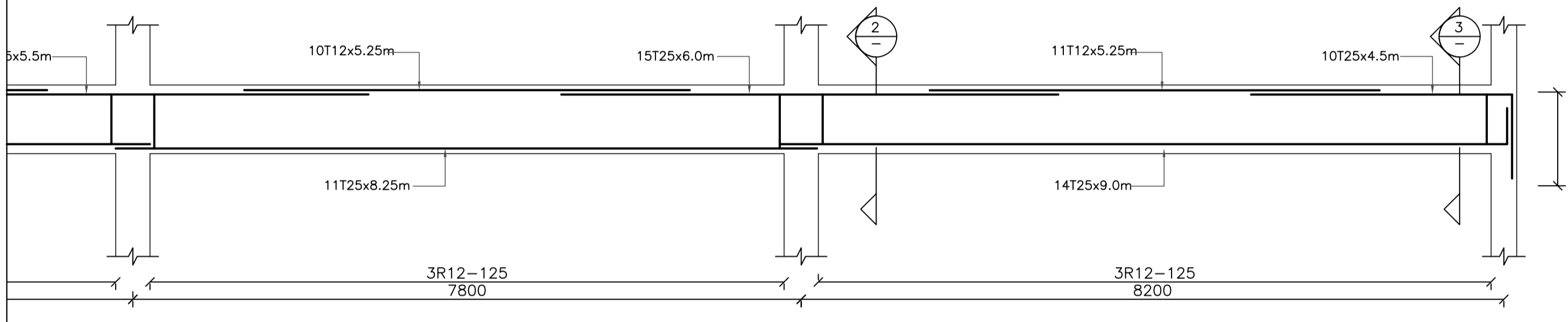
DESIGN: A.KH.	DRAWN: CAD	CHECKED: R.K
SCALE: 1:50-1:25	DATE: MAY 2019	APPROVED: W.Z.

DRAWING NUMBER:
SKEP-18-SSB-504

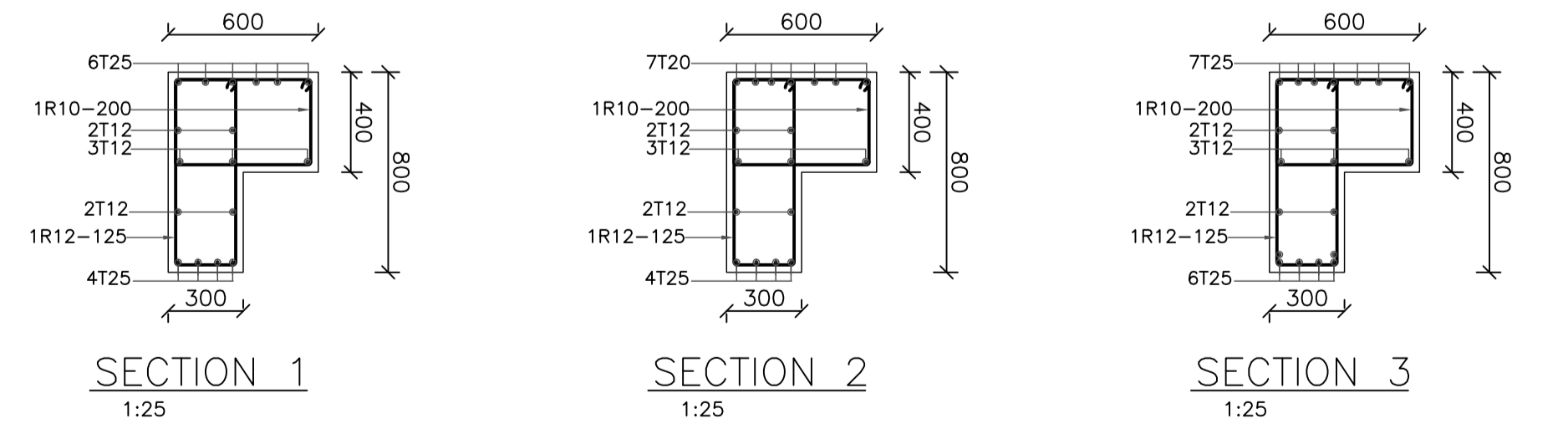
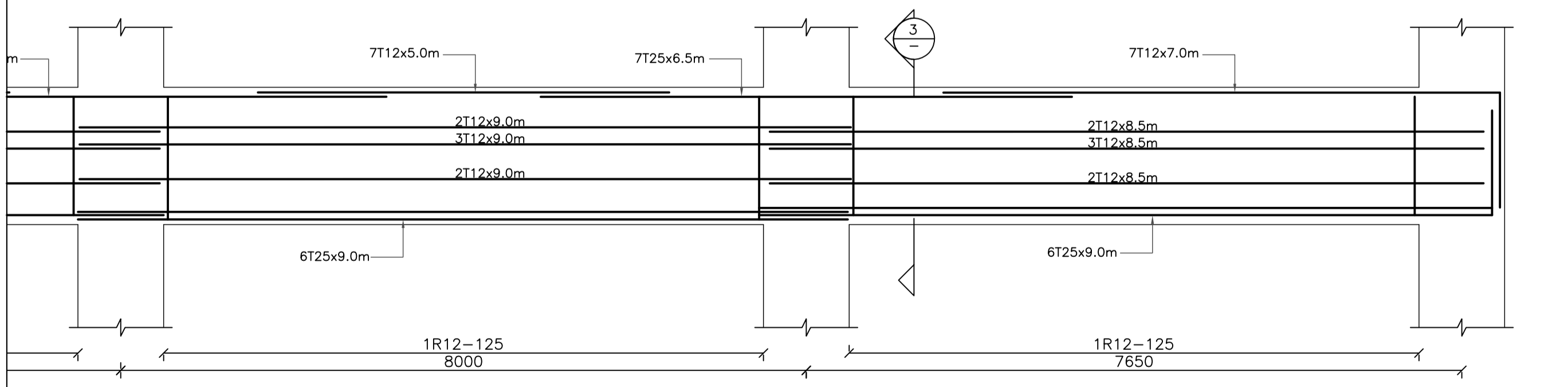
PLOT No 1496	LOCATION Marka	BASIN NO 1 Hanao Al Kassar	Rev.: 0
-----------------	-------------------	-------------------------------	------------



FB60/FB61/FB62/FB63/FB64/FB65
1:50/1:25



FB66/FB67/FB68/FB69/FB70
1:50/1:25



REV.	DATE	REMARKS

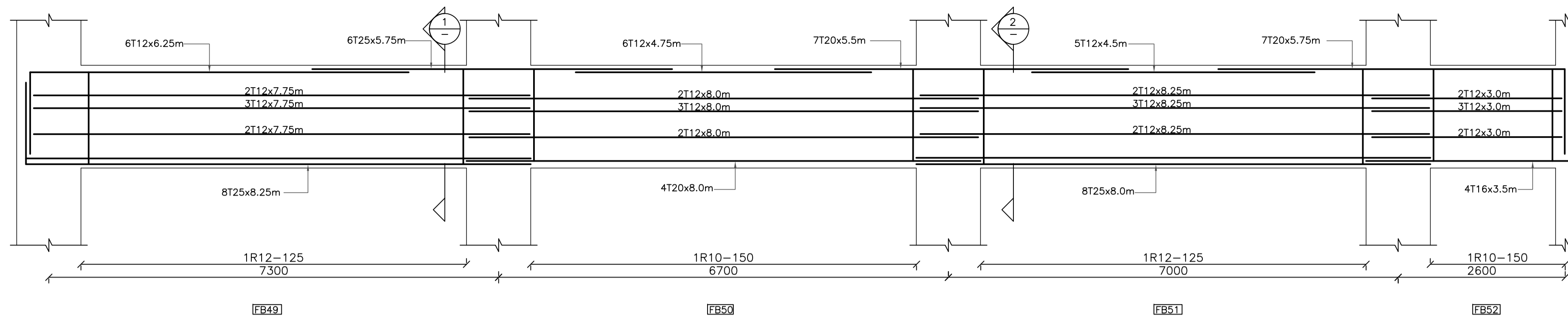
NOTES:



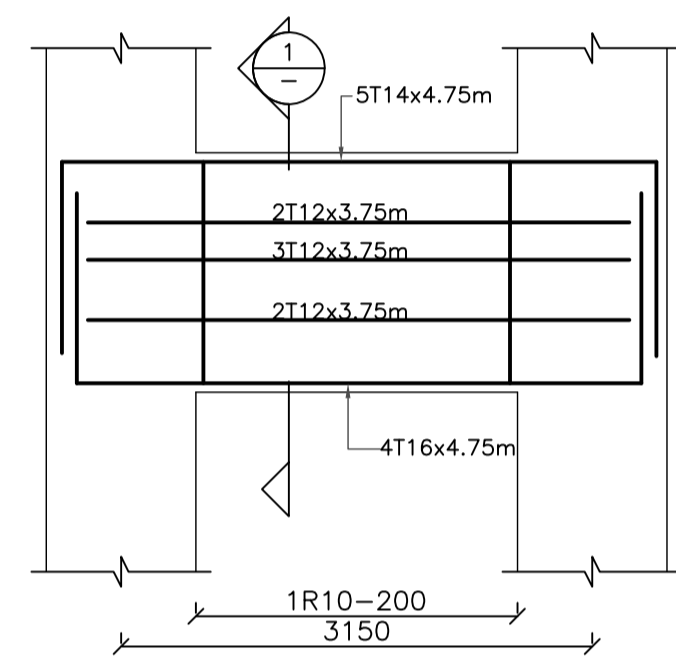
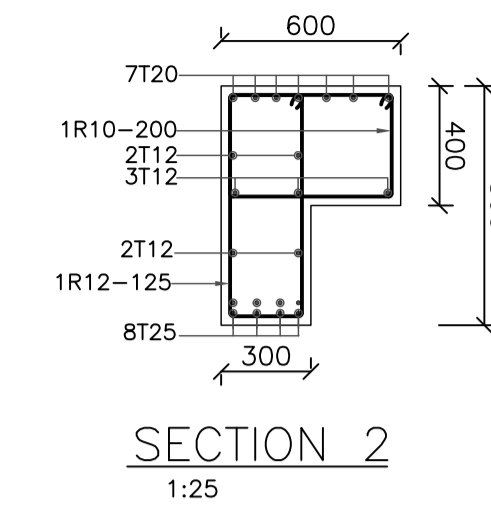
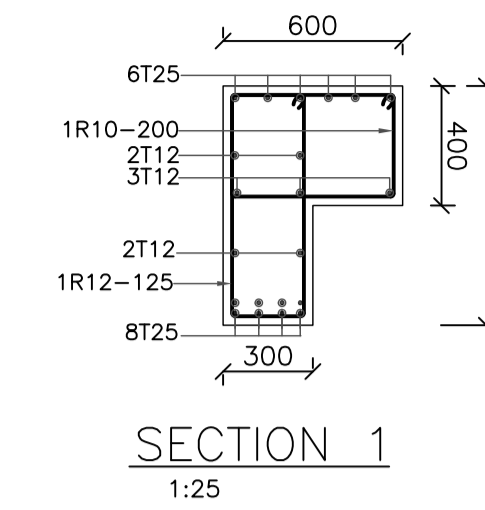
Jumana Bint Abi Taleb Basic Mixed School (Amman- Marka)
SCHOOLS FOR A KNOWLEDGE ECONOMY PROJECT (USAID SKEP)

DRAWING NAME: FIRST FLOOR BEAMS-5-		
Design: A.KH.	Drawn: CAD	Checked: R.K
SCALE: 1:50-1:25	Date: MAY 2019	Approved: W.Z.
PLOT No 1496	LOCATION Marka	BASIN NO 1 Hanao Al Kassar

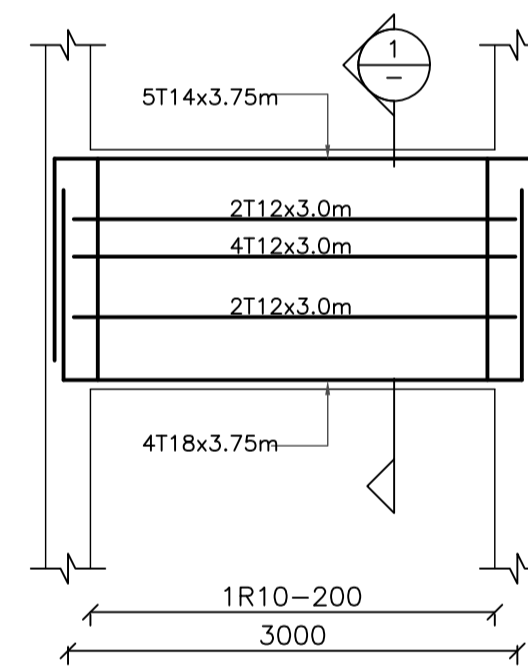
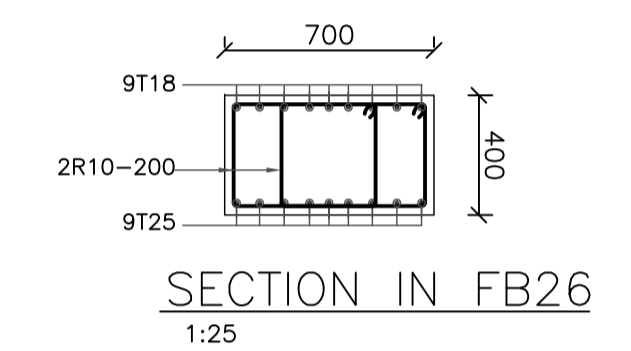
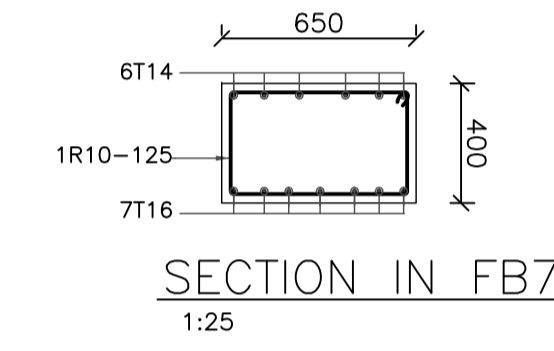
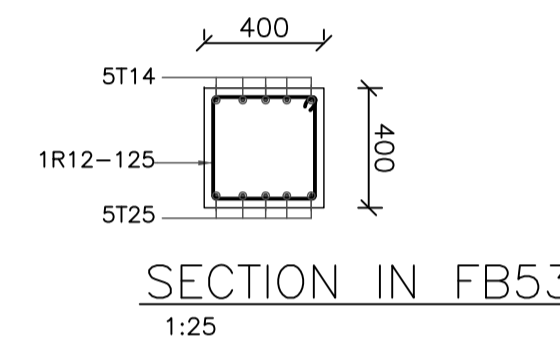
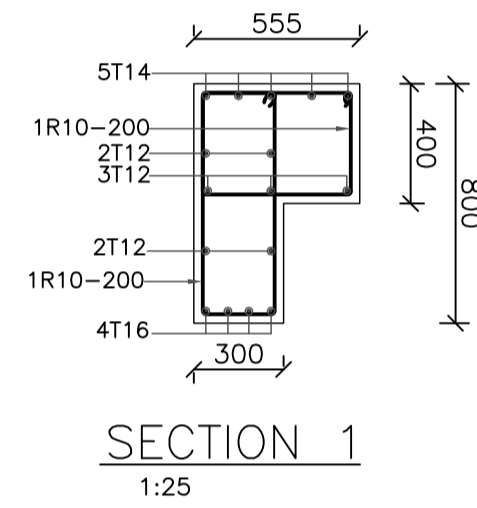
DRAWING NUMBER: SKEP-18-SSB-505		Rev.: 0
------------------------------------	--	------------



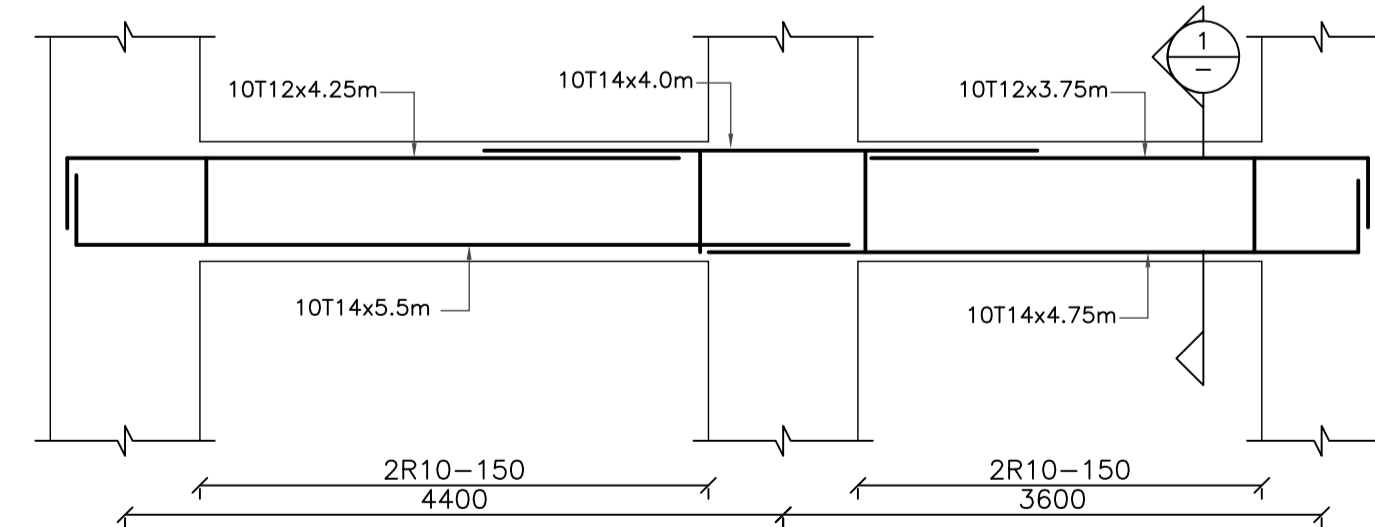
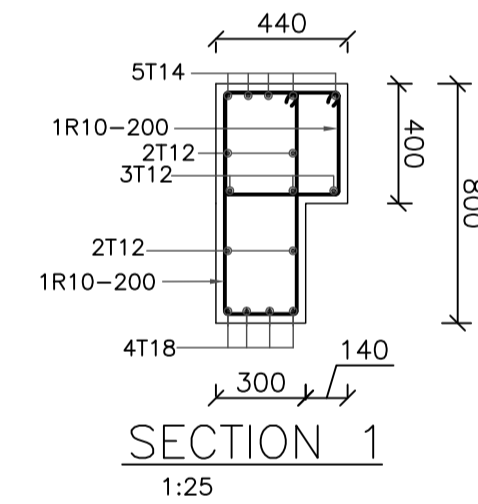
FB49/FB50/FB51/FB52
1:50/1:25



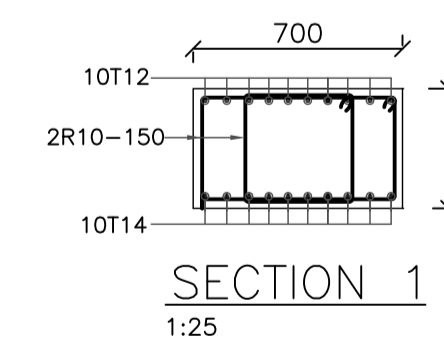
FB48
1:50/1:25



FB72
1:50/1:25



FB73/FB73'
1:50/1:25



REV.	DATE	REMARKS

NOTES:

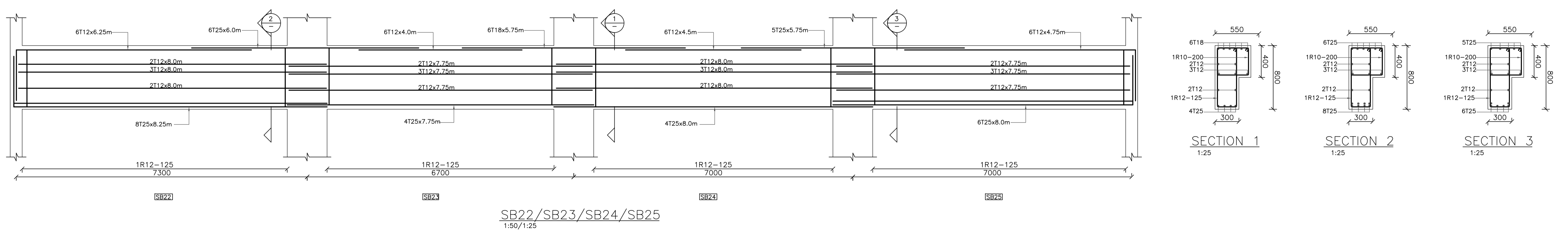
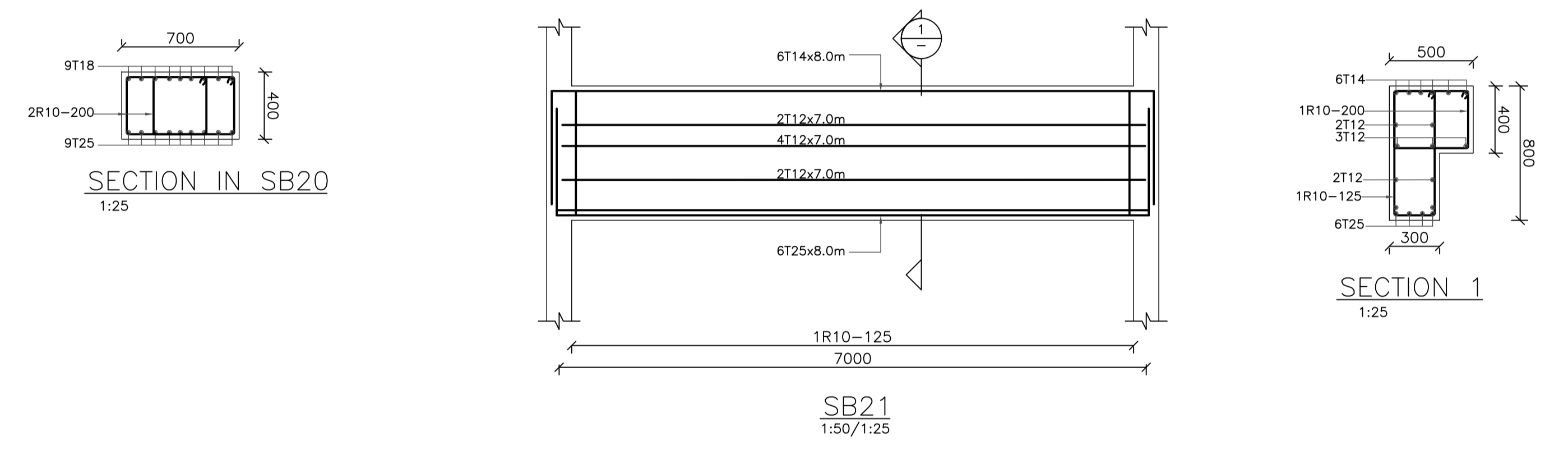
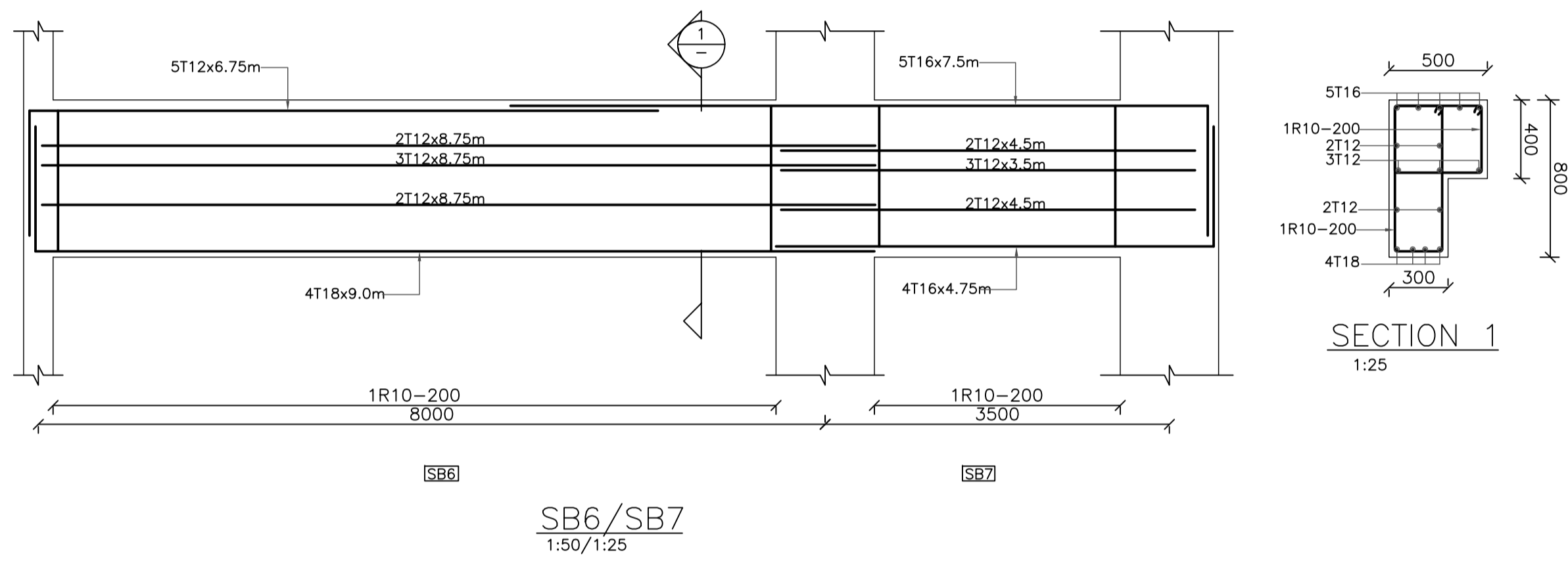
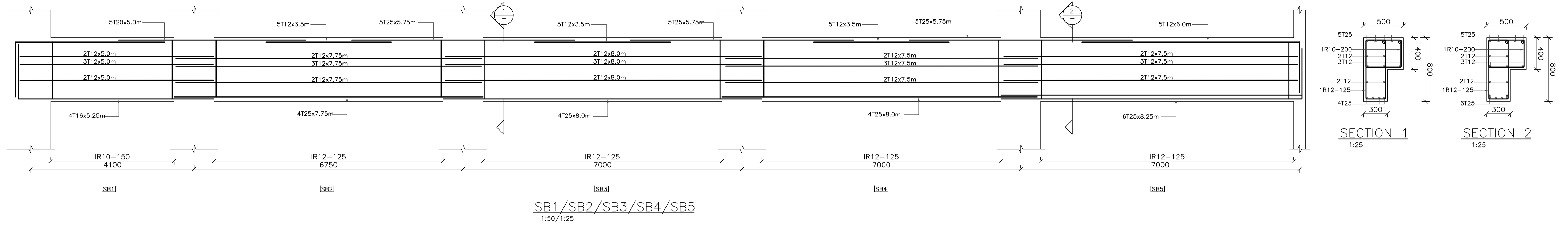


Jumana Bint Abi Taleb Basic Mixed School
(Amman- Marka)
SCHOOLS FOR A KNOWLEDGE ECONOMY
PROJECT (USAID SKEP)

DRAWING NAME: FIRST FLOOR BEAMS-6-		
Design: A.KH.	Drawn: CAD	Checked: R.K
SCALE: 1:50-1:25	Date: MAY 2019	Approved: W.Z.
PLOT No 1496	LOCATION Marka	BASIN NO 1 Hanau Al Kassar

DRAWING NUMBER: SKEP-18-SSB-506	
Rev.:	0





REV.	DATE	REMARKS

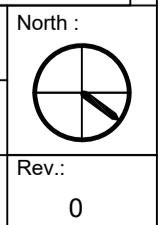
NOTES:

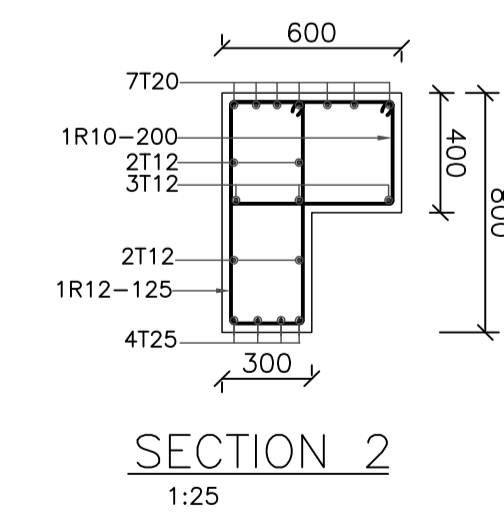
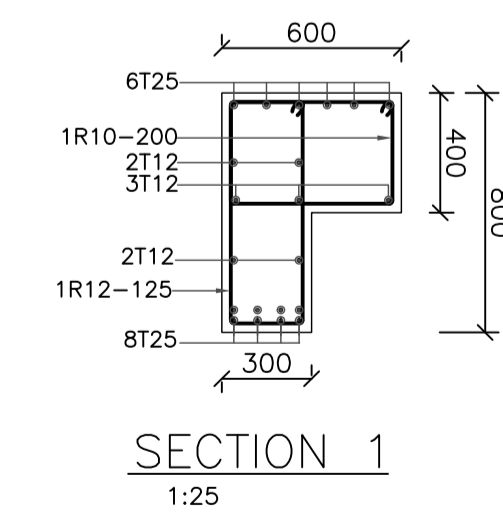
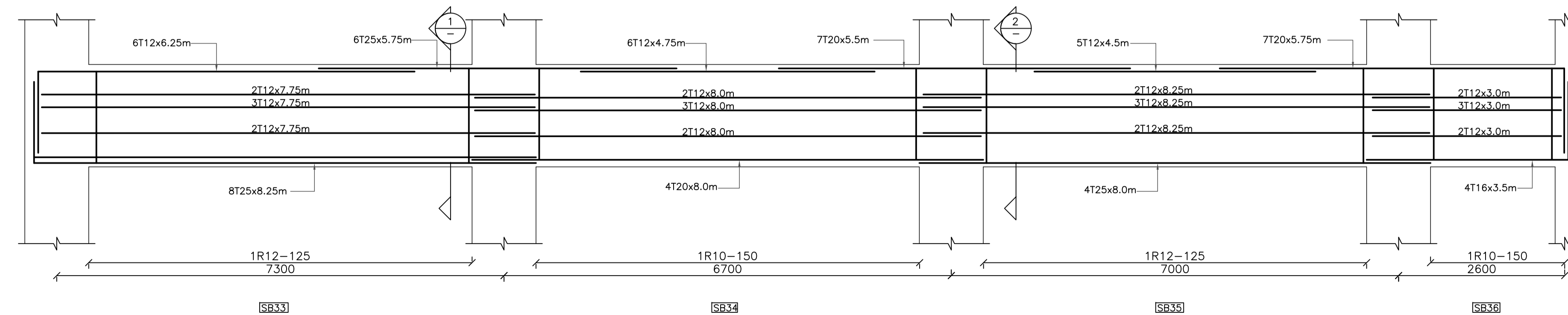
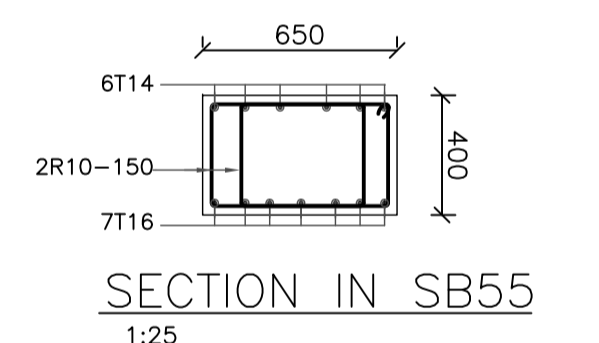
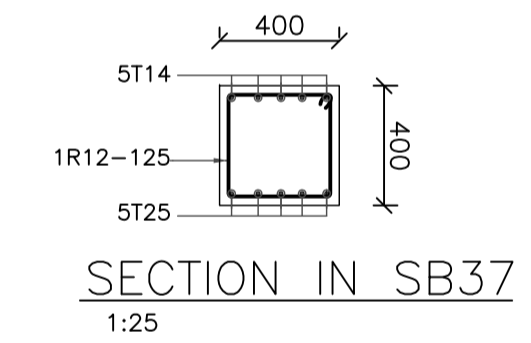
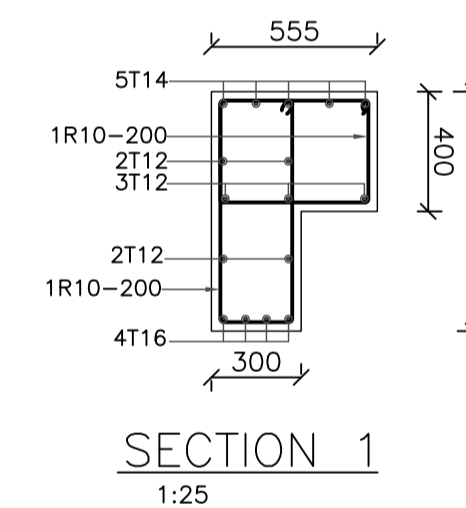
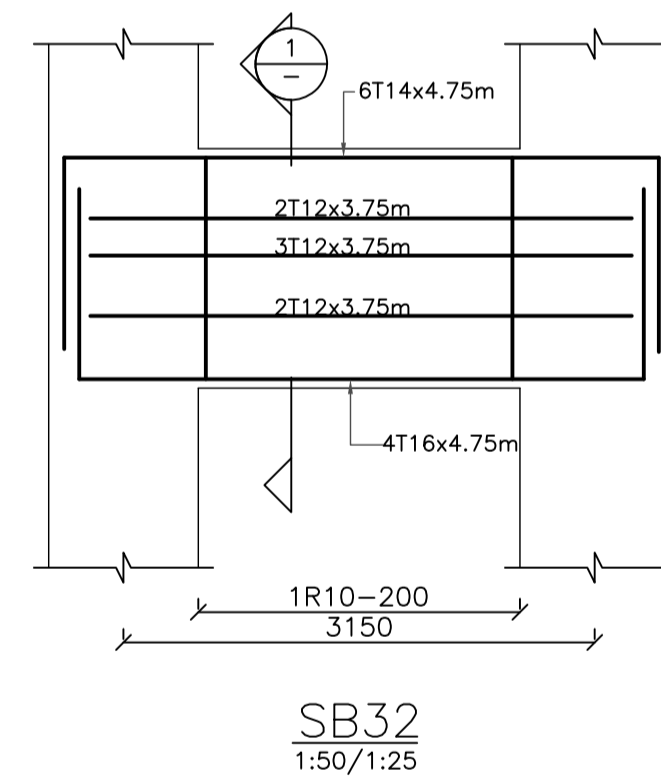
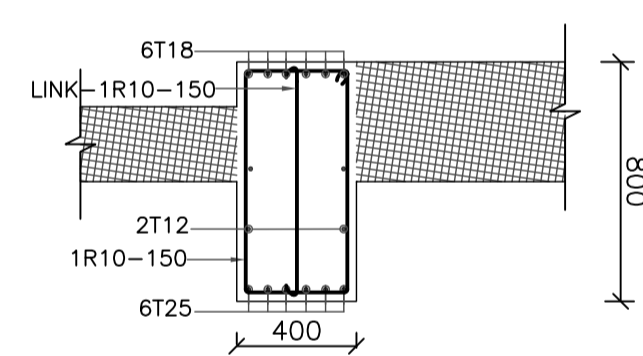
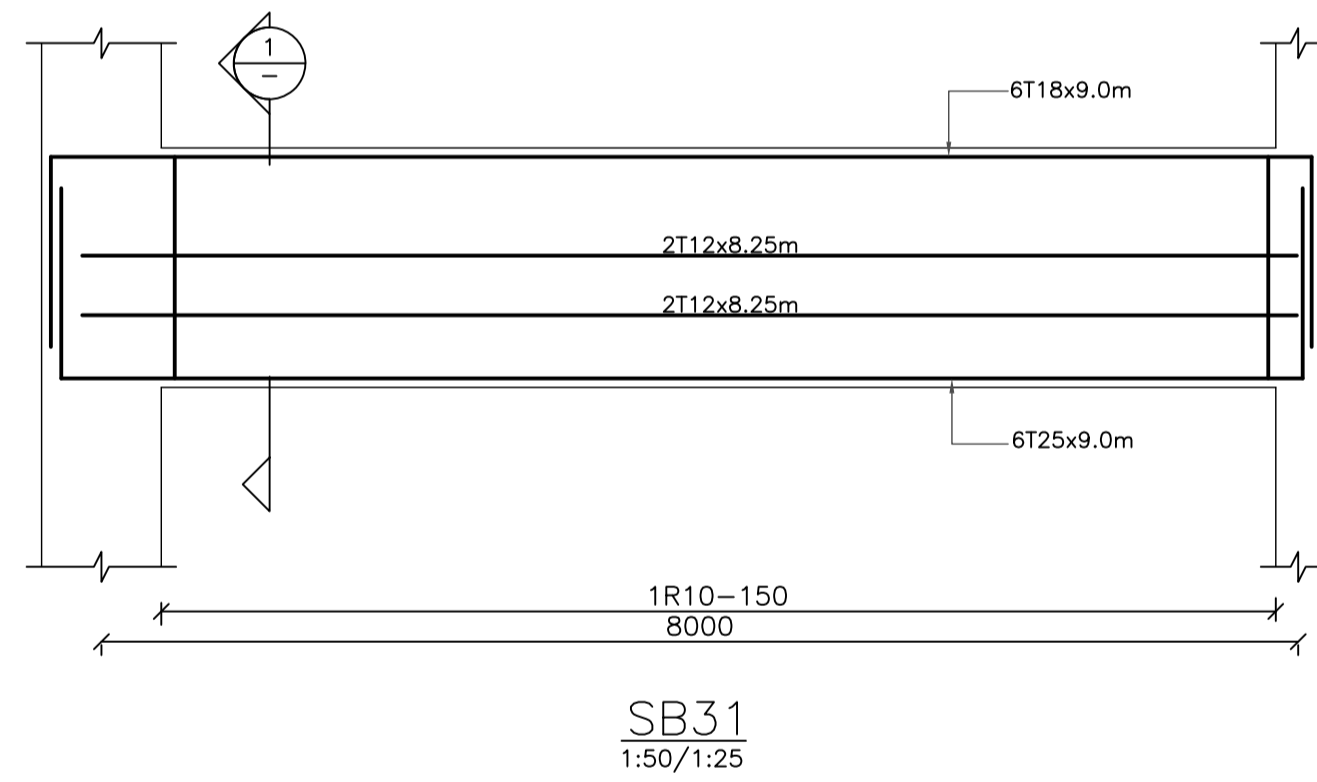
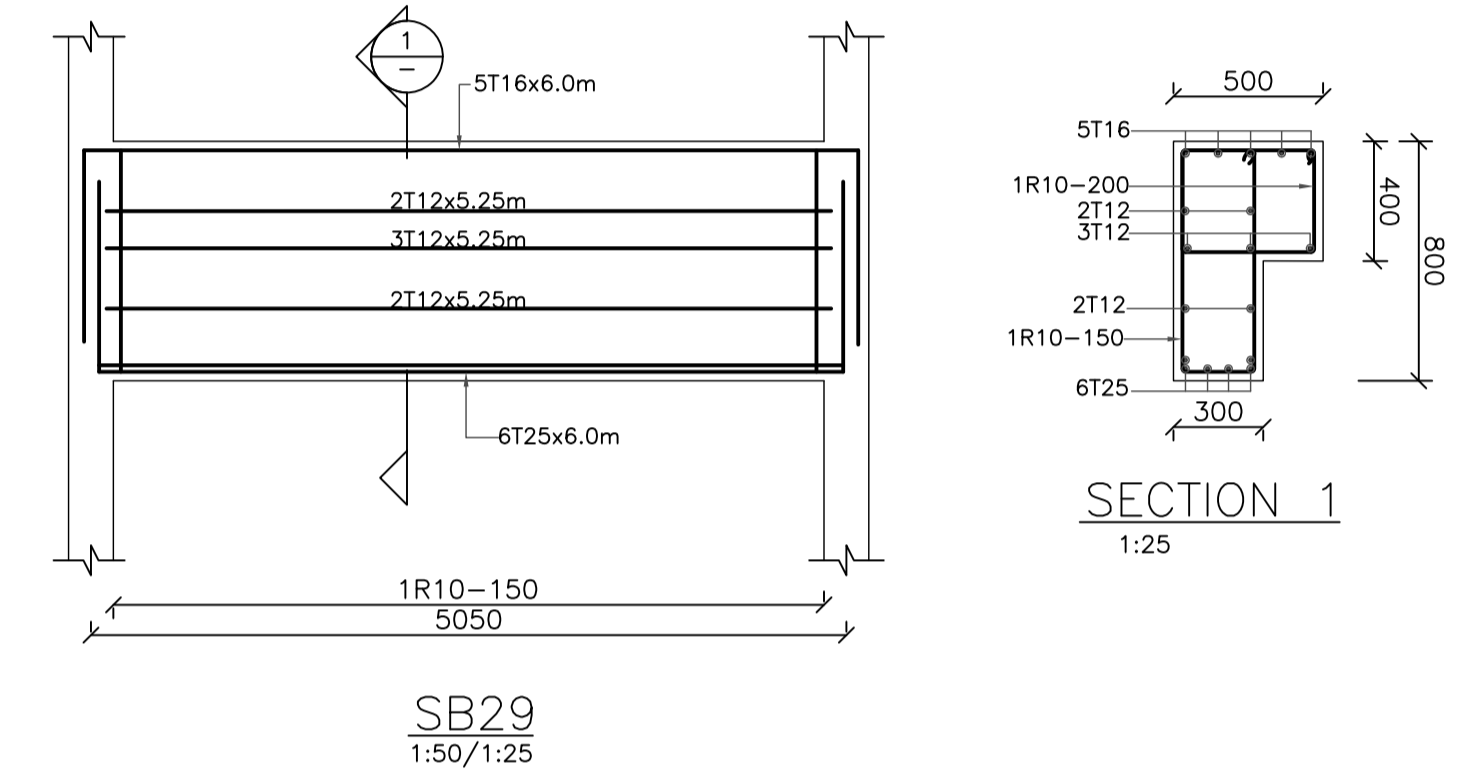
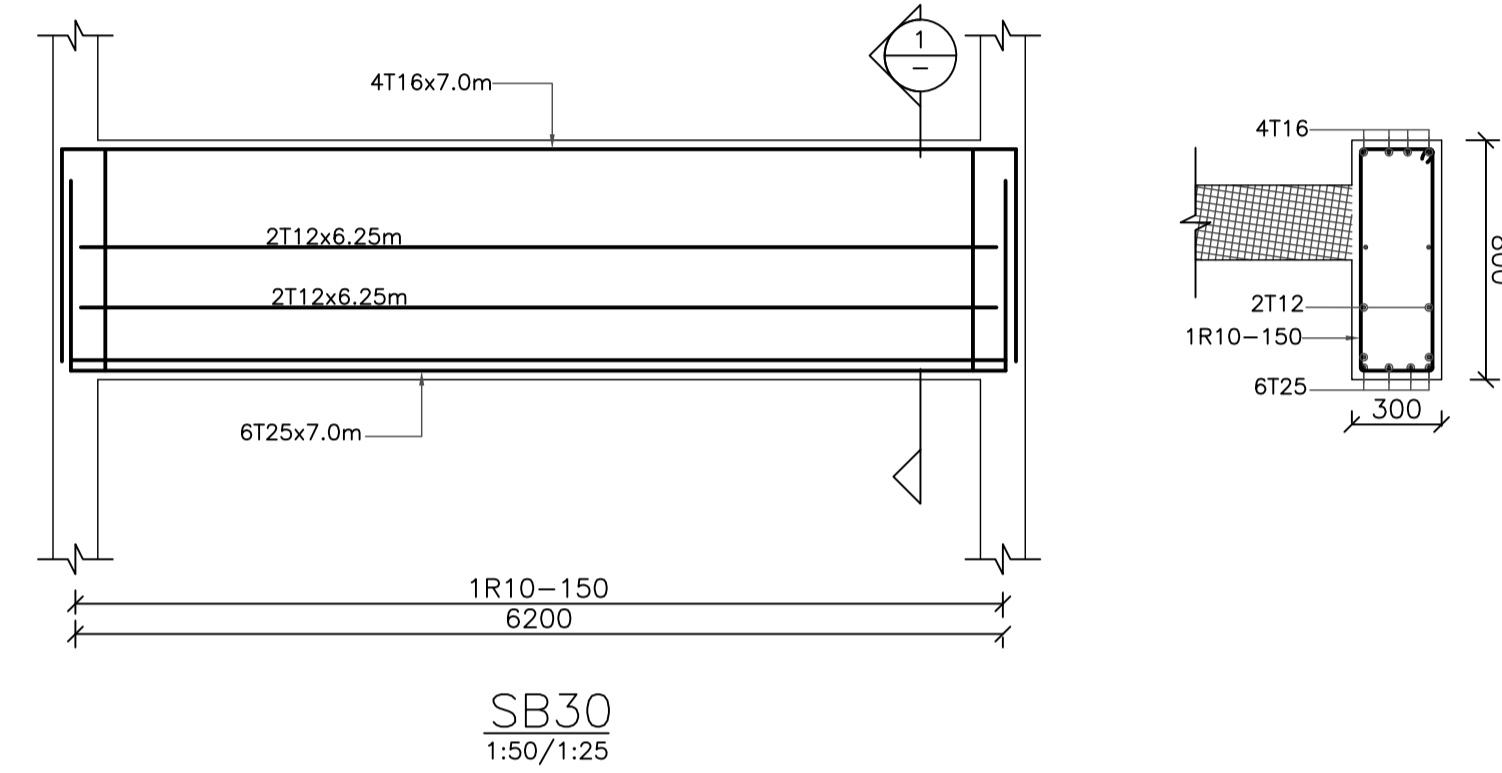
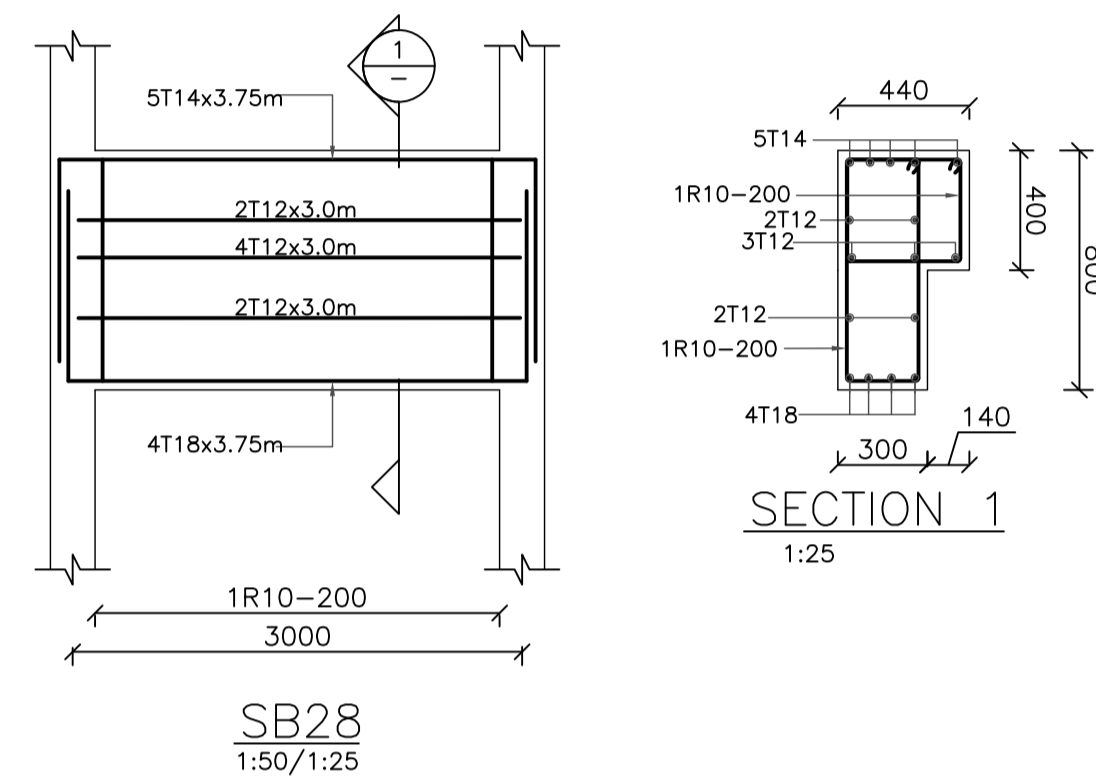
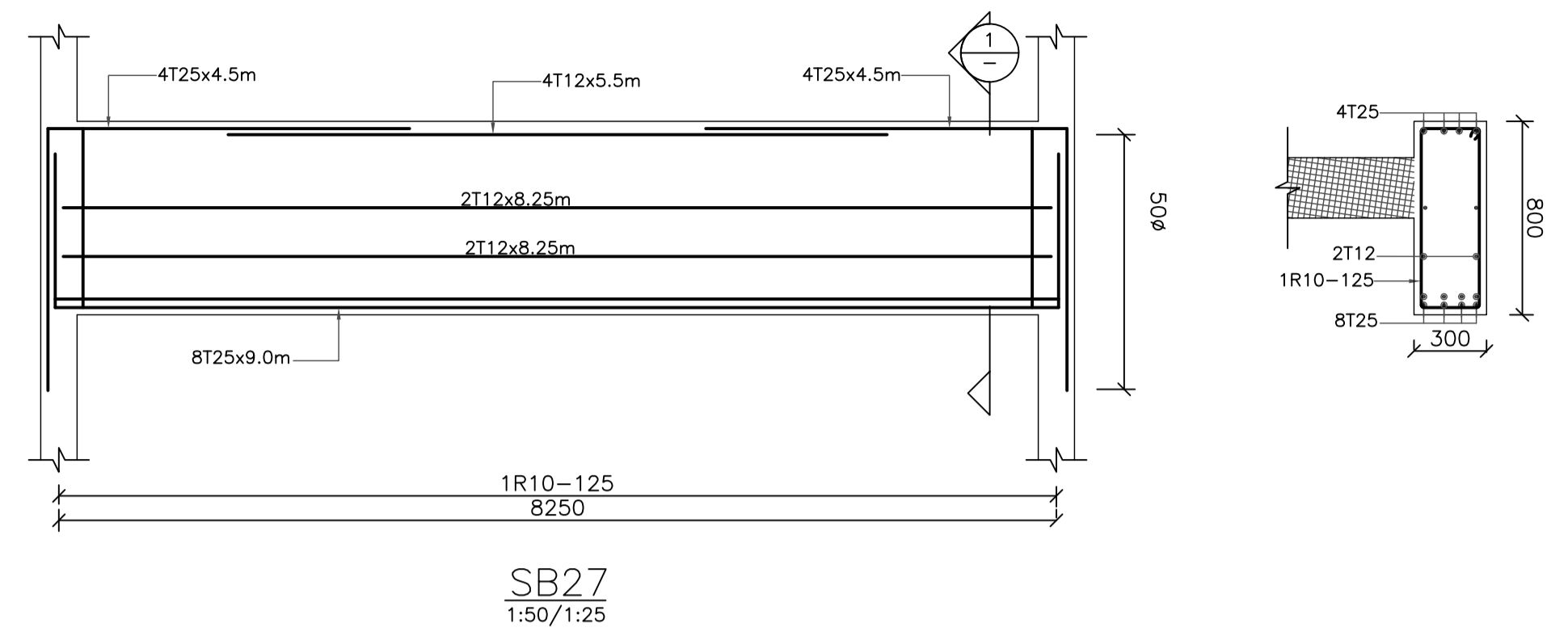
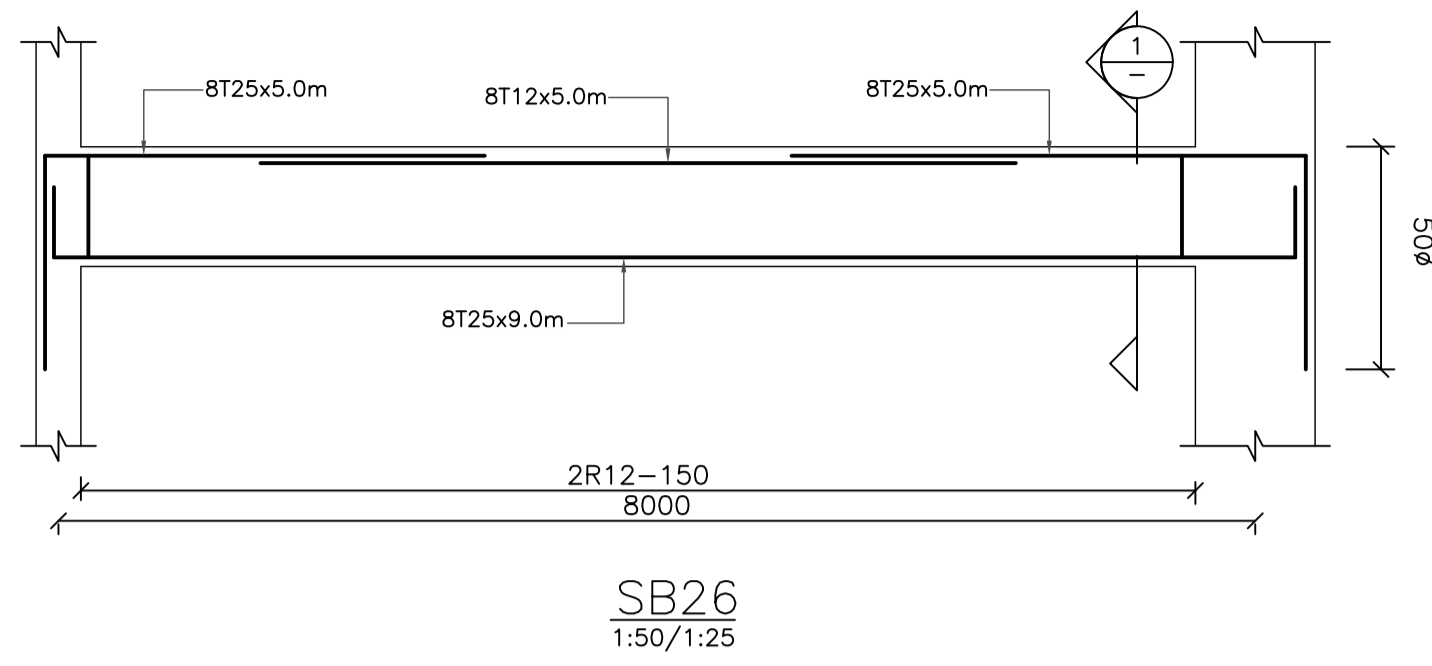


Jumana Bint Abi Taleb Basic Mixed School
(Amman- Marka)
SCHOOLS FOR A KNOWLEDGE ECONOMY
PROJECT (USAID SKEP)

DRAWING NAME: SECOND FLOOR BEAMS-1-		
DESIGN: A.KH.	DRAWN: CAD	CHECKED: R.K
SCALE: 1:50-1:25		
DATE: MAY 2019		
APPROVED: W.Z.		
PLOT No 1496	LOCATION Marka	BASIN NO 1 Hanao Al Kassar

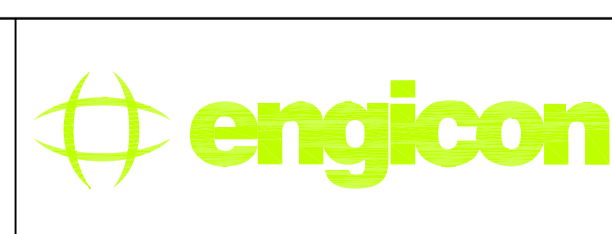
DRAWING NUMBER: SKEP-18-SSB-507		Rev.: 0
------------------------------------	--	------------





REV.	DATE	REMARKS

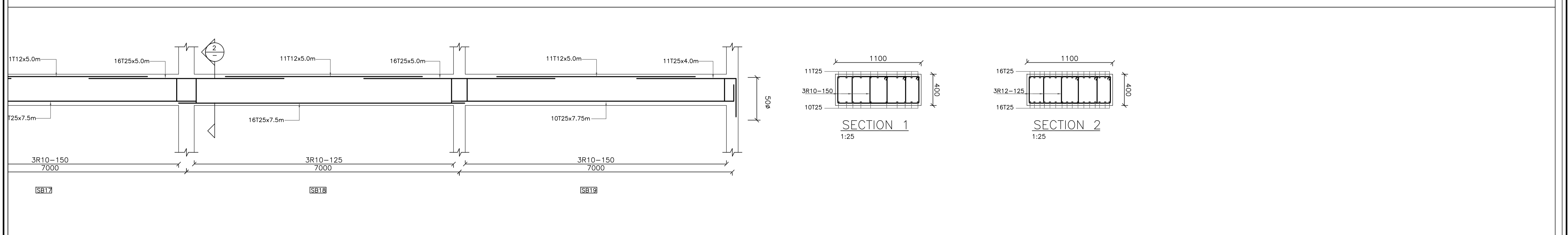
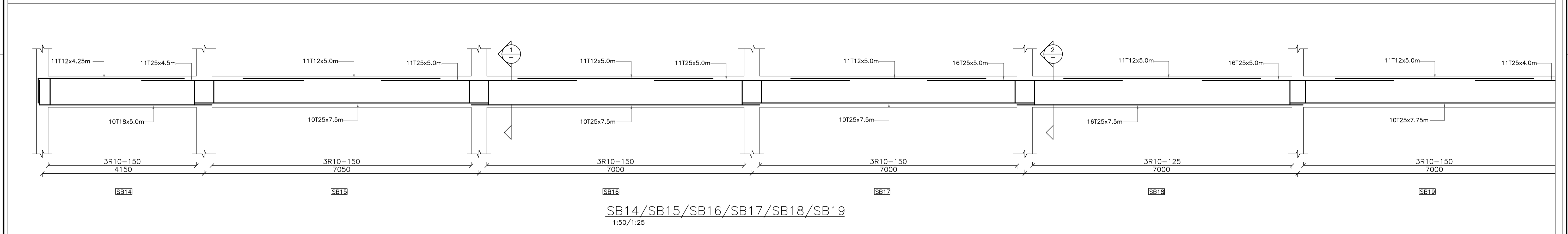
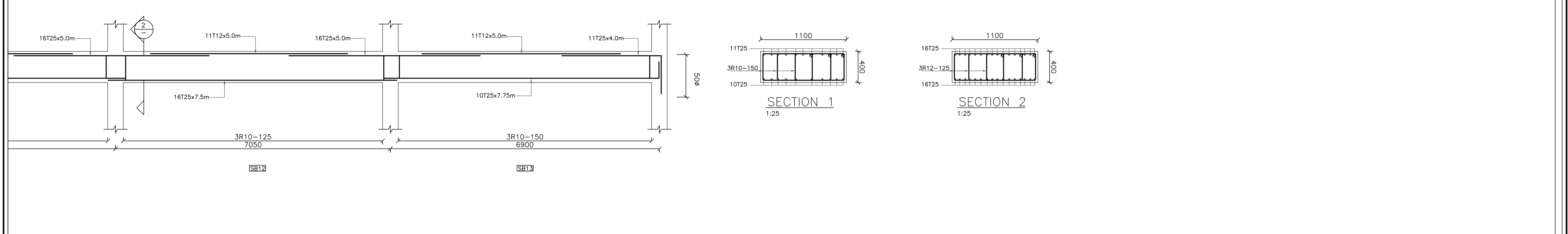
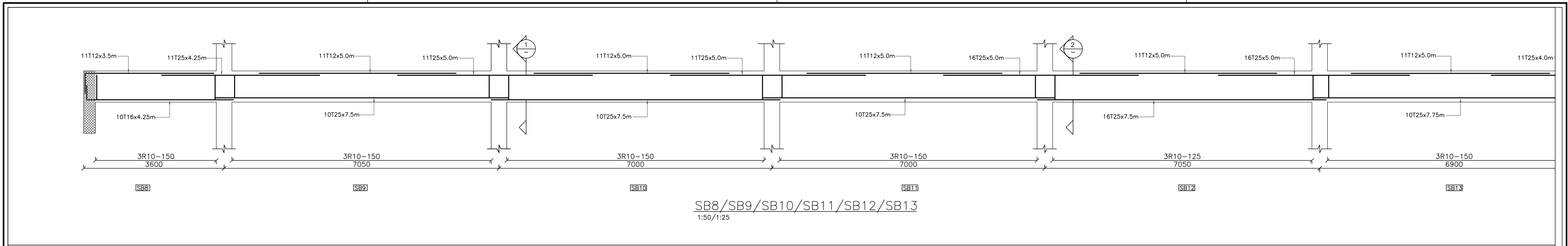
NOTES:



Jumana Bint Abi Taleb Basic Mixed School
(Amman- Marka)
SCHOOLS FOR A KNOWLEDGE ECONOMY
PROJECT (USAID SKEP)

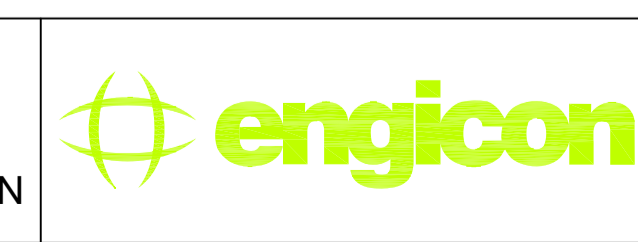
DRAWING NAME:
SECOND FLOOR BEAMS-2-
Design: A.KH. Drawn: CAD Checked: R.K.
SCALE: 1:50-1:25 Date: MAY 2019 Approved: W.Z.
DRAWING NUMBER: SKEP-18-SSB-508
Rev.: 0

REV.	DATE	REMARKS



REV.	DATE	REMARKS

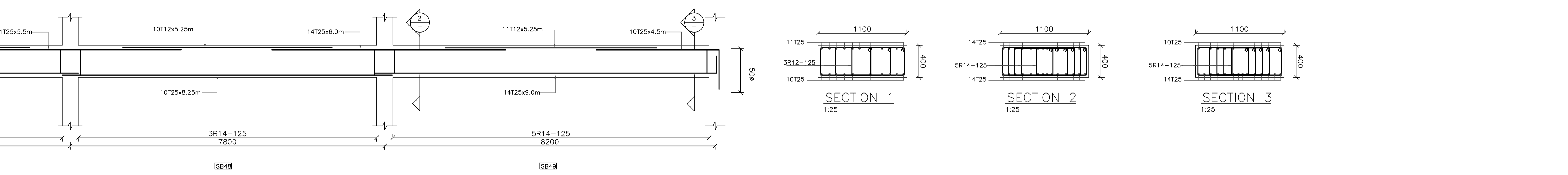
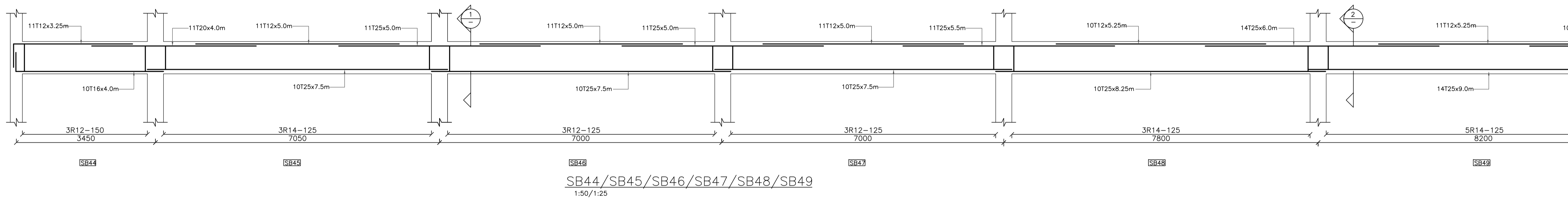
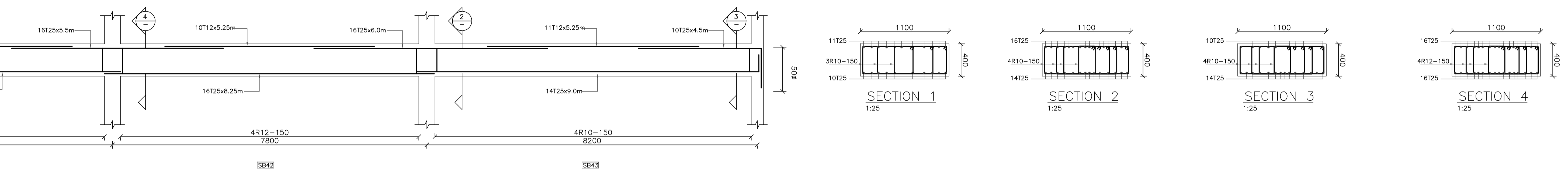
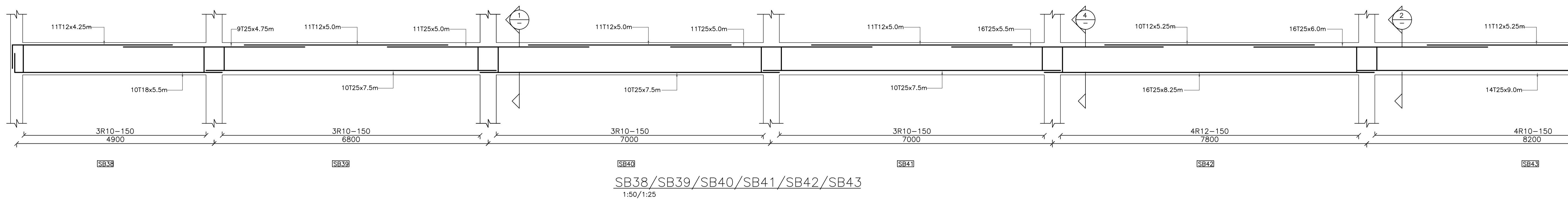
NOTES:



Jumana Bint Abi Taleb Basic Mixed School
(Amman- Marka)
SCHOOLS FOR A KNOWLEDGE ECONOMY
PROJECT (USAID SKEP)

DRAWING NAME: SECOND FLOOR BEAMS-3-		
DESIGN: A.KH.	DRAWN: CAD	CHECKED: R.K
SCALE: 1:50-1:25	DATE: MAY 2019	APPROVED: W.Z.
PLOT NO: 1496	LOCATION: Marka	BASIN NO: 1 Hanao Al Kassar
DRAWING NUMBER: SKEP-18-SSB-509		

Rev.:	0
North:	



REV.	DATE	REMARKS

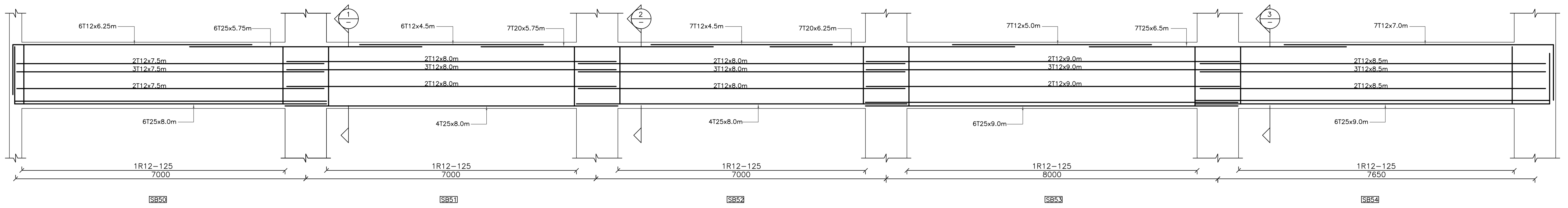
NOTES:



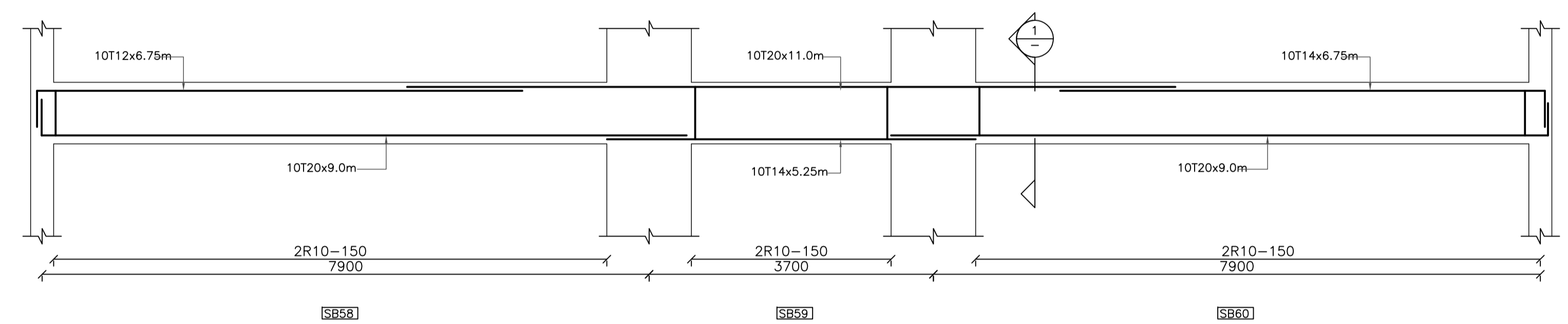
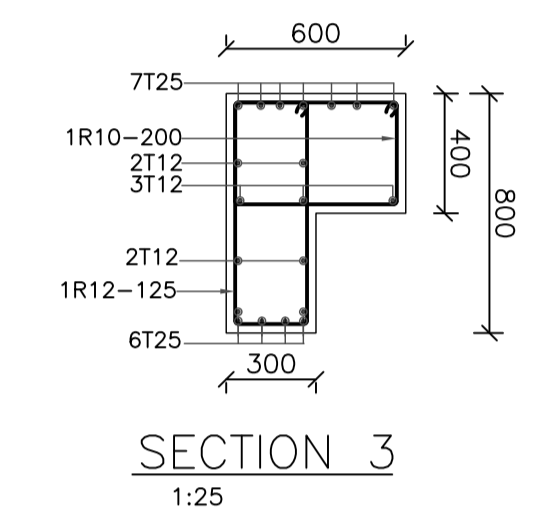
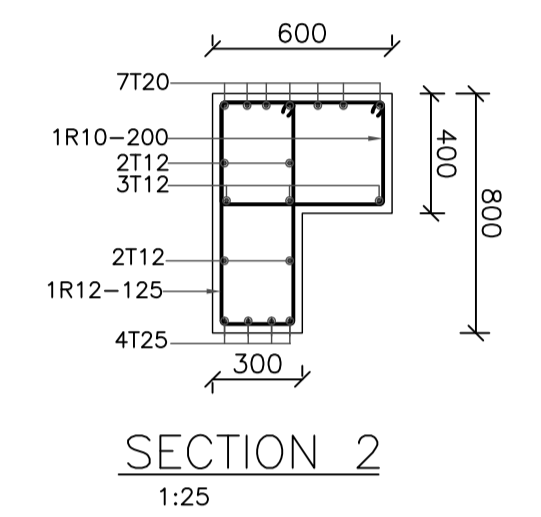
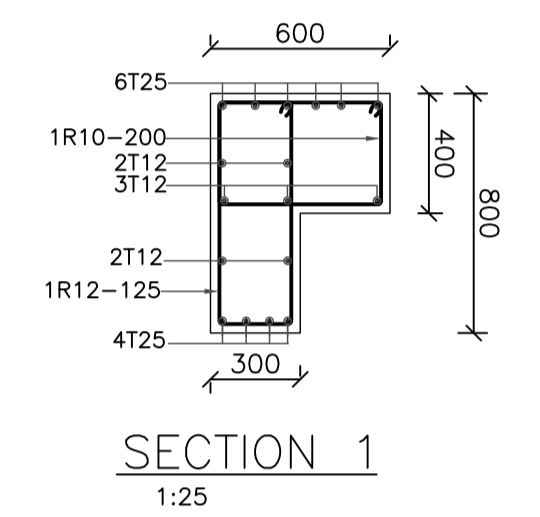
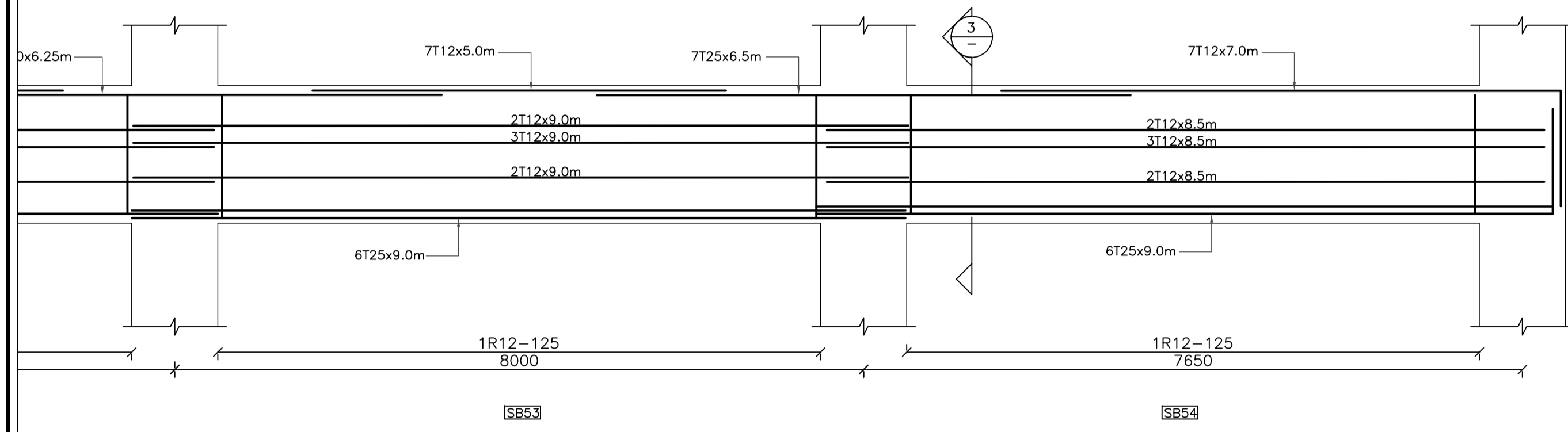
Jumana Bint Abi Taleb Basic Mixed School
(Amman- Marka)
SCHOOLS FOR A KNOWLEDGE ECONOMY
PROJECT (USAID SKEP)

DRAWING NAME: SECOND FLOOR BEAMS-4-		
DESIGN: A.KH.	DRAWN: CAD	CHECKED: R.K
SCALE: 1:50-1:25	DATE: MAY 2019	APPROVED: W.Z.
PLOT No: 1496	LOCATION: Marka	BASIN NO: 1 Hanao Al Kassar
DRAWING NUMBER: SKEP-18-SSB-510		

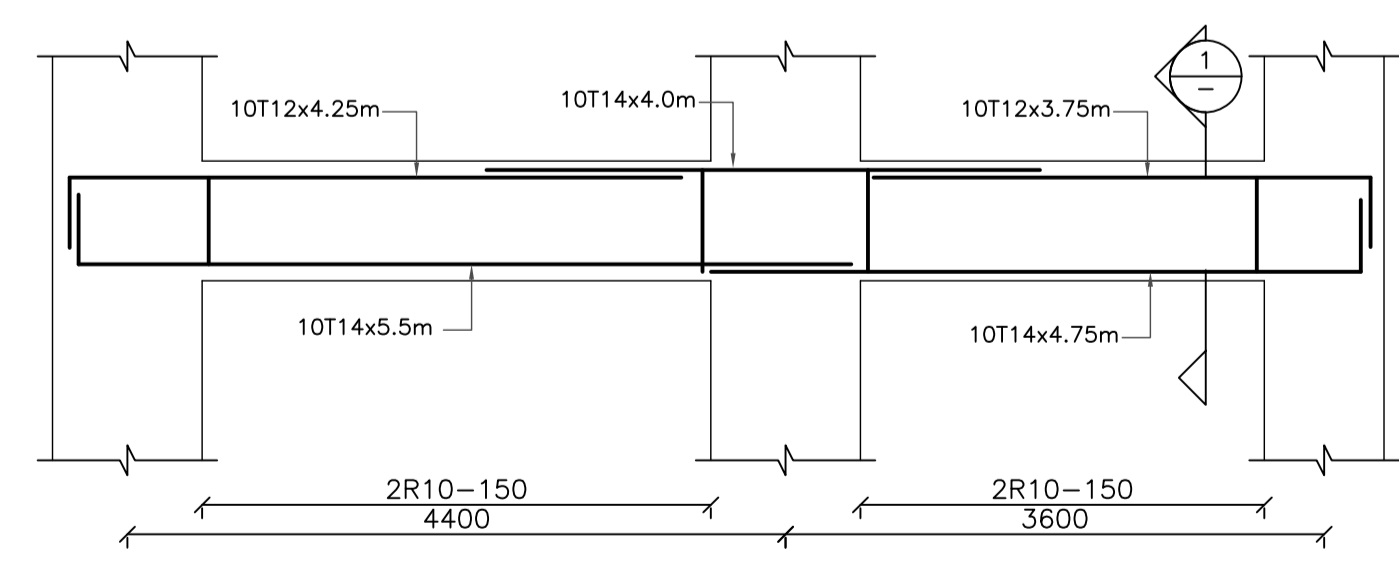
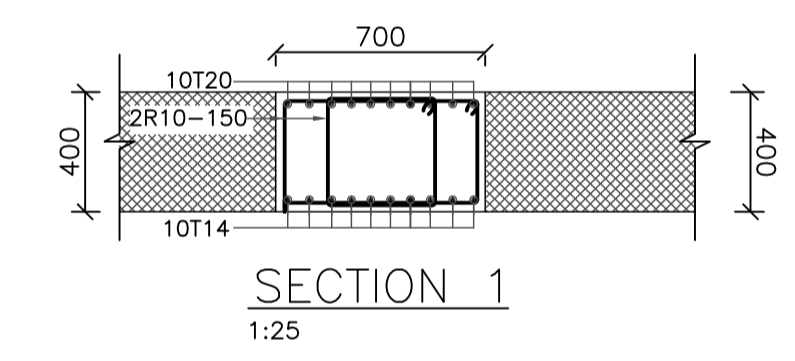
Rev.:	0
-------	---



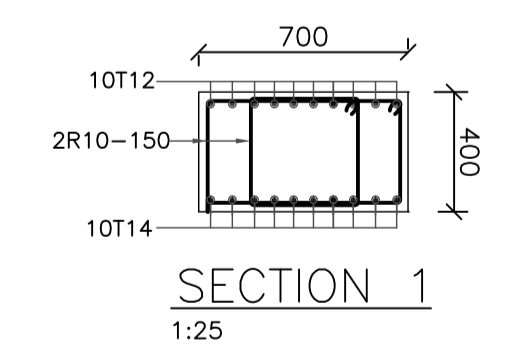
SB50/SB51/SB52/SB53/SB54
1:50/1:25



SB58/SB59/SB60
1:50/1:25

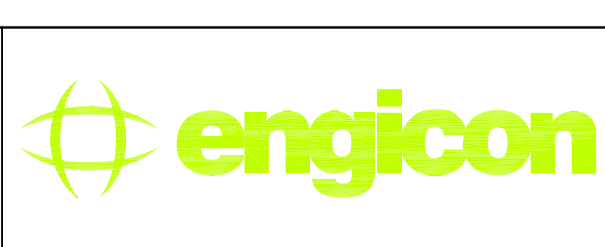


SB56/SB57
1:50/1:25



REV.	DATE	REMARKS

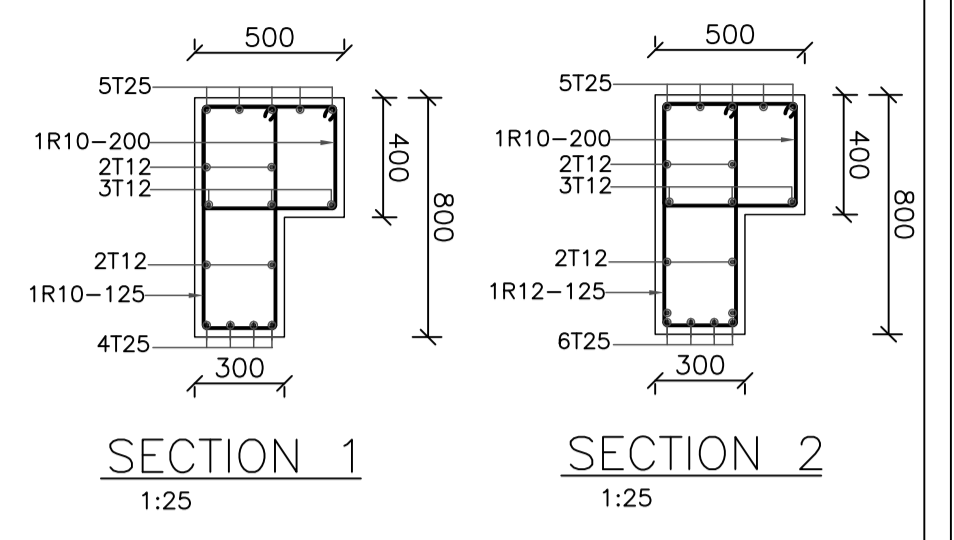
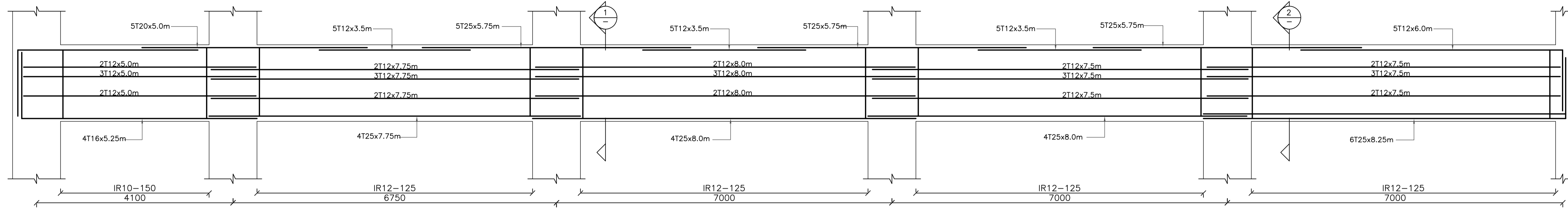
NOTES:



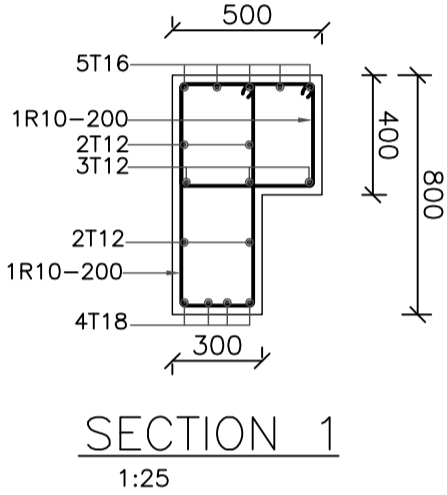
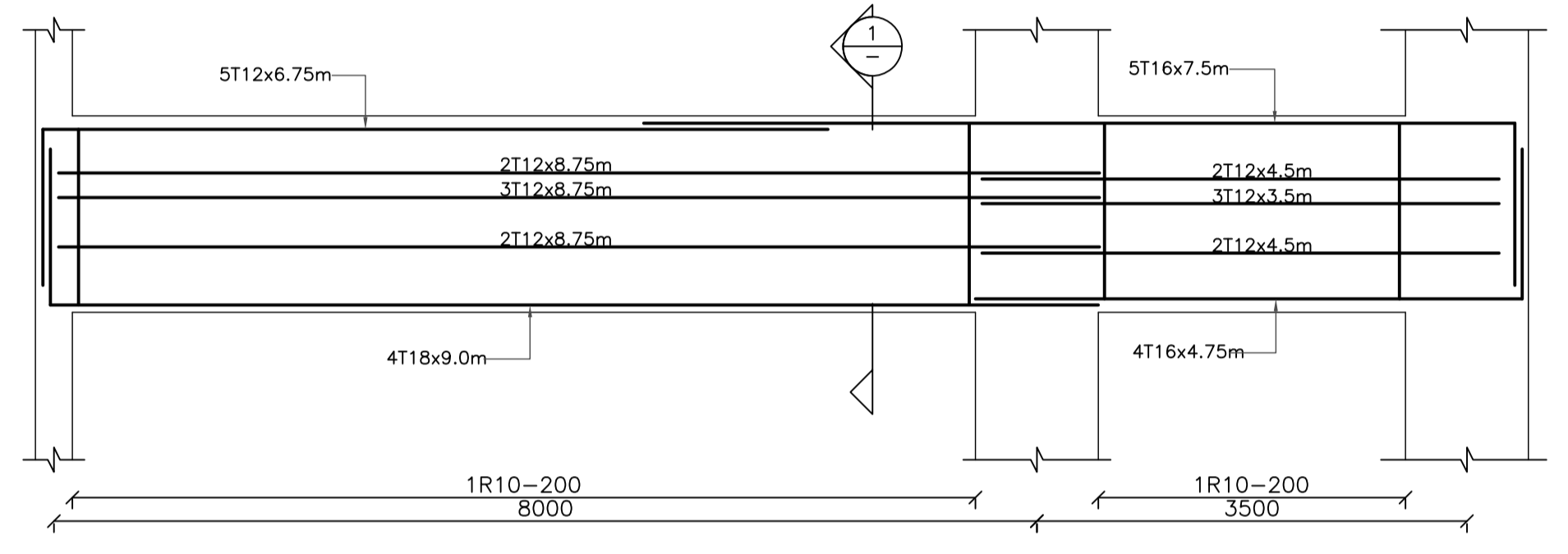
Jumana Bint Abi Taleb Basic Mixed School
(Amman- Marka)
SCHOOLS FOR A KNOWLEDGE ECONOMY
PROJECT (USAID SKEP)

DRAWING NAME: SECOND FLOOR BEAMS-5-		
DESIGN: A.KH.	DRAWN: CAD	CHECKED: R.K.
SCALE: 1:50-1:25		
DATE: MAY 2019		
APPROVED: W.Z.		
PLOT No: 1496	LOCATION: Marka	BASIN NO: 1 Hanao Al Kassar
DRAWING NUMBER: SKEP-18-SSB-511		

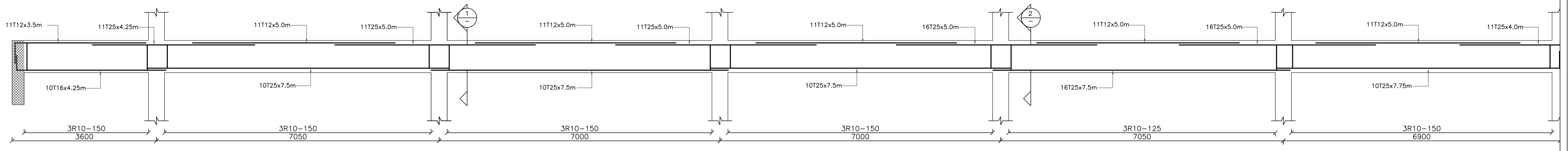
Rev.: 0	North:
---------	--------



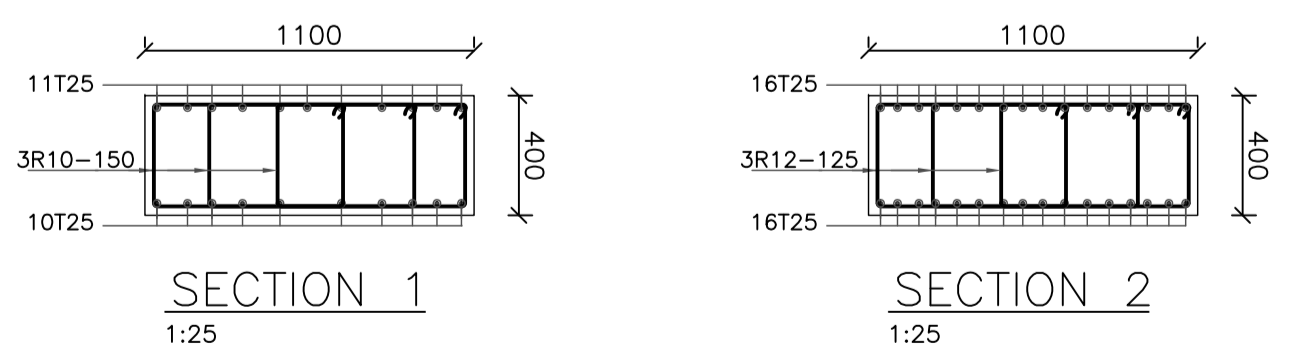
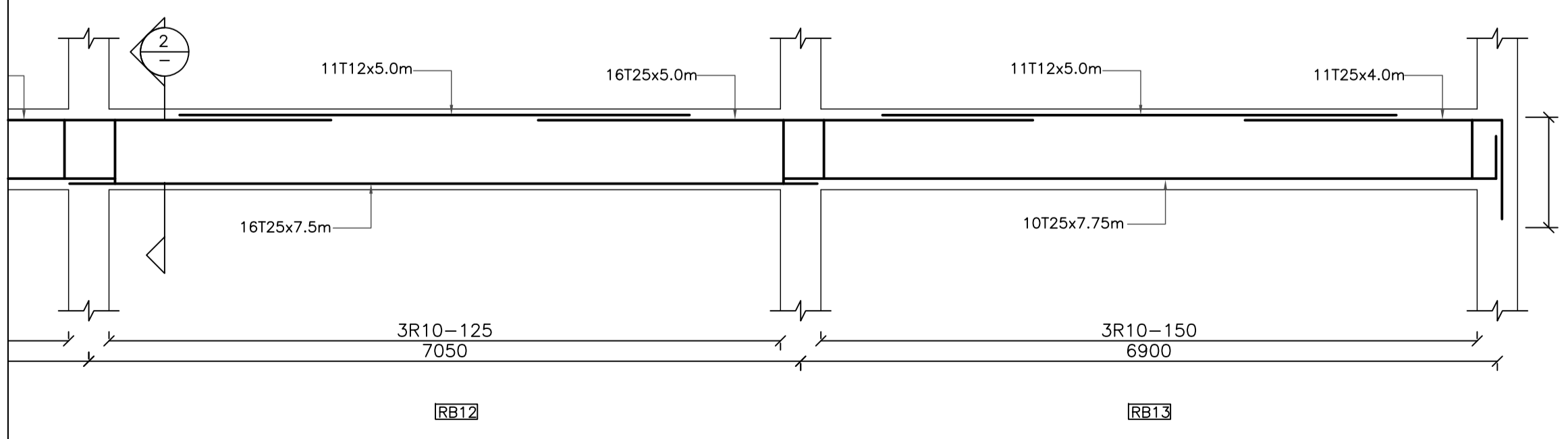
RB1/RB2/RB3/RB4/RB5
1:50/1:25



RB6/RB7
1:50/1:25



RB8/RB9/RB10/RB11/RB12/RB13
1:50/1:25



REV.	DATE	REMARKS

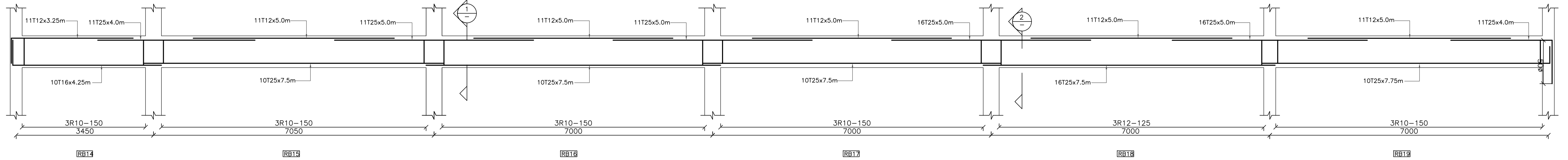
NOTES:



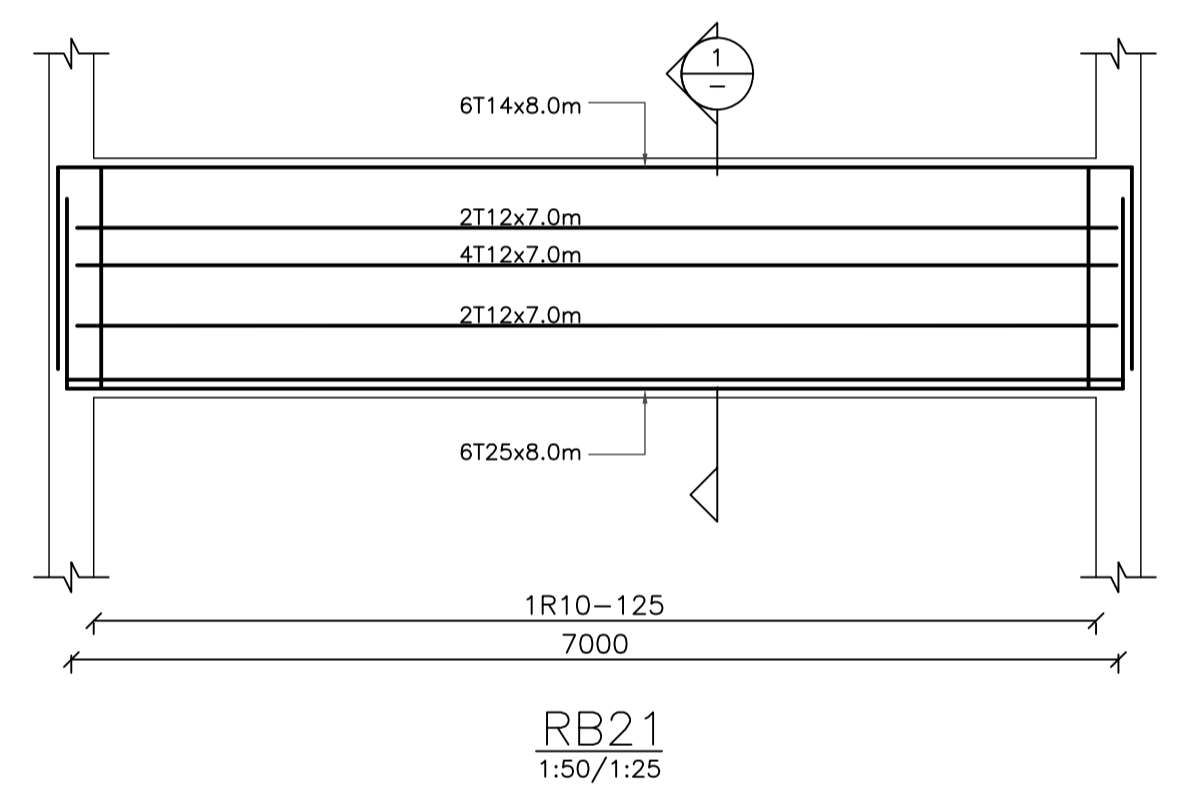
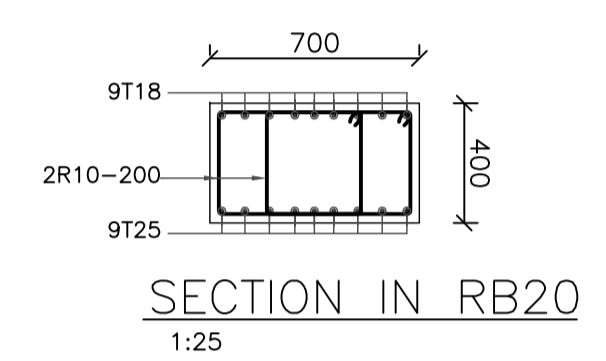
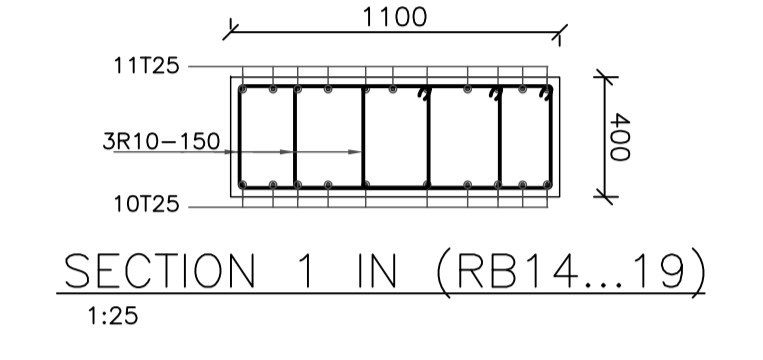
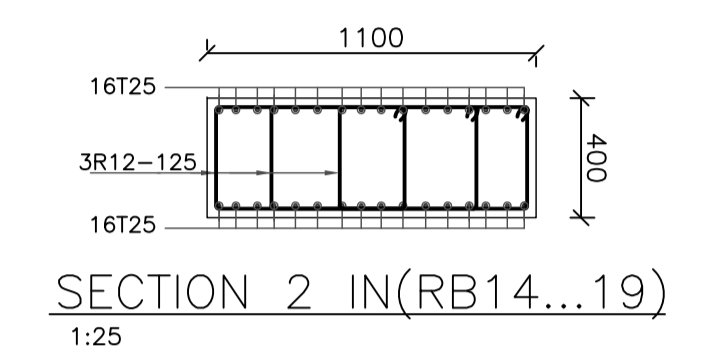
Jumana Bint Abi Taleb Basic Mixed School
(Amman- Marka)
SCHOOLS FOR A KNOWLEDGE ECONOMY
PROJECT (USAID SKEP)

DRAWING NAME: ROOF FLOOR BEAMS-1-		
Design: A.KH.	Drawn: CAD	Checked: R.K
SCALE: 1:50-1:25		Date: MAY 2019
Approved: W.Z.		Rev.:
PLOT No 1496	LOCATION Marka	BASIN NO 1 Hanao Al Kassar

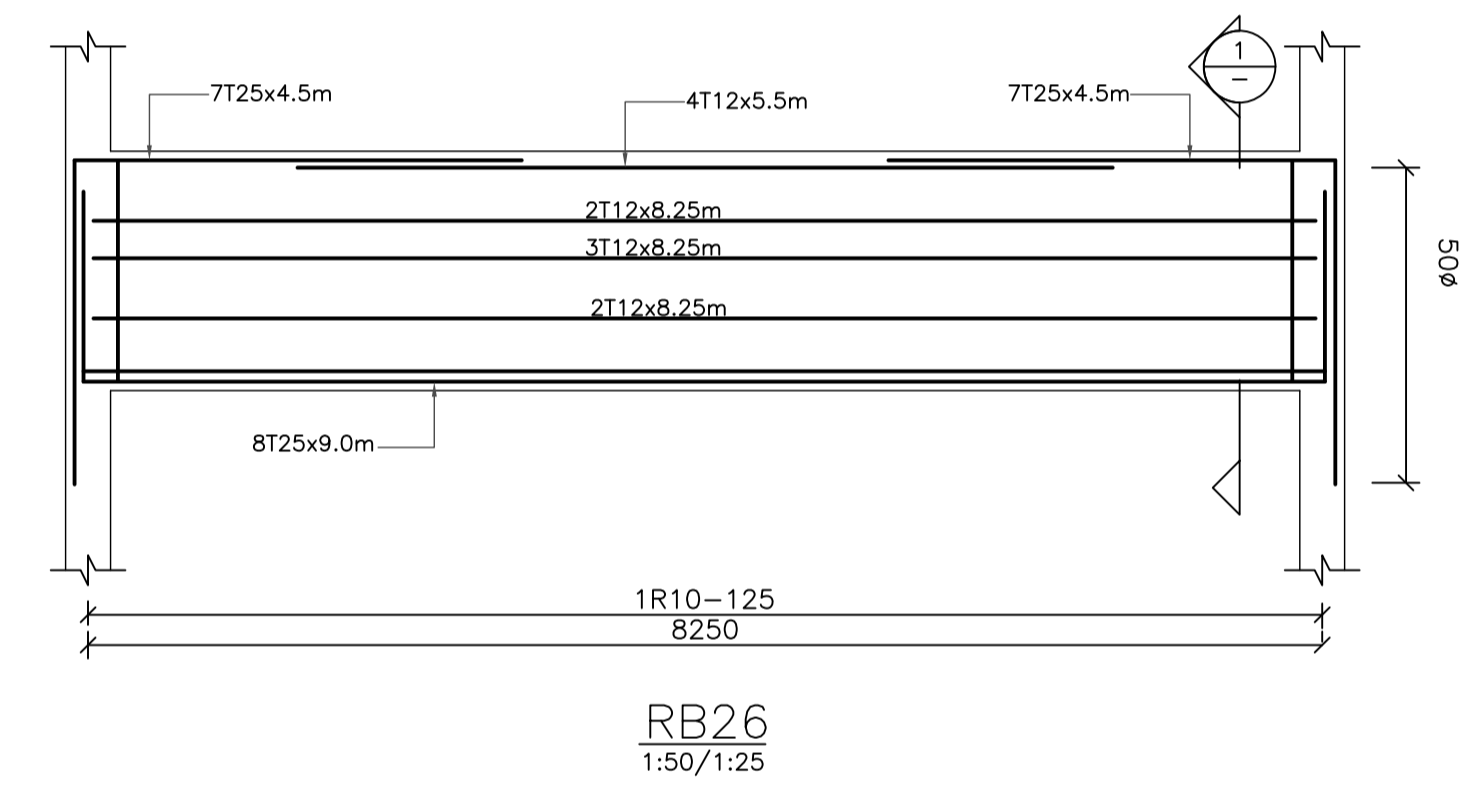
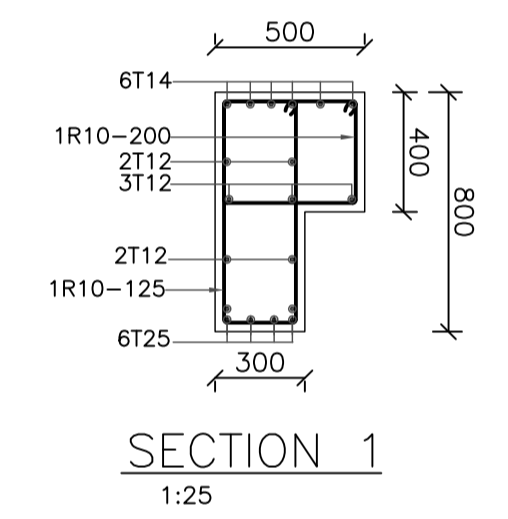
DRAWING NUMBER: SKEP-18-SSB-512		North:
------------------------------------	--	------------



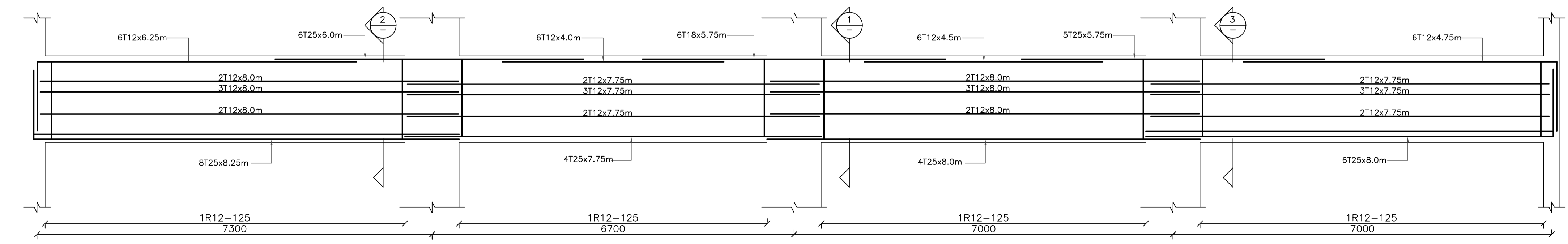
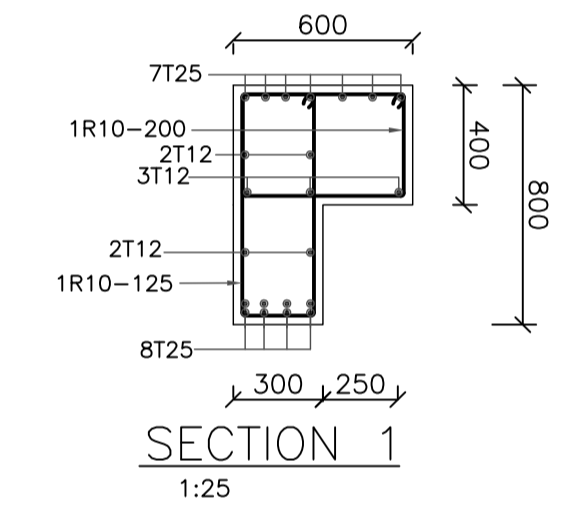
RB14/RB15/RB16/RB17/RB18/RB19
1:50/1:25



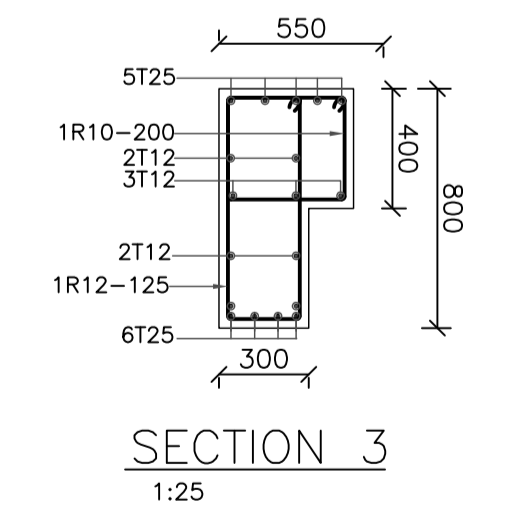
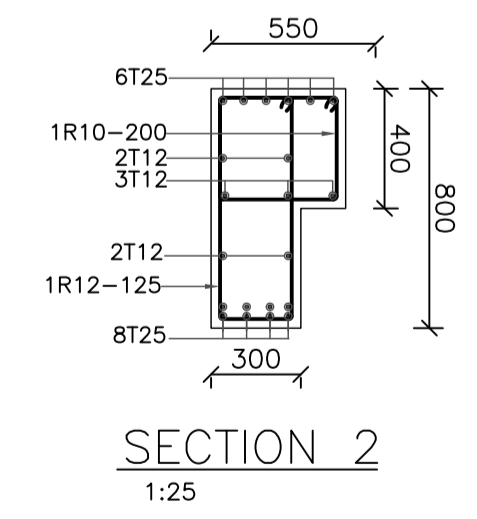
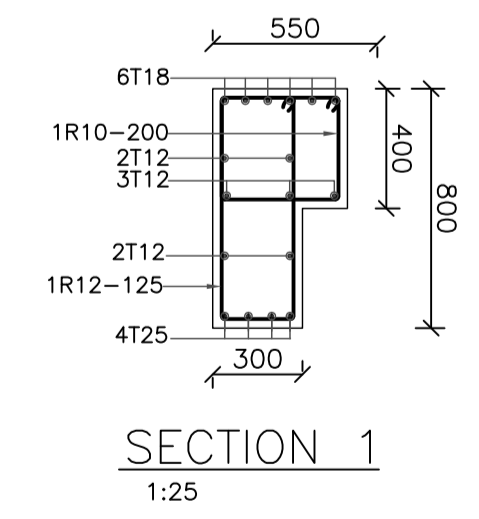
RB21
1:50/1:25



RB26
1:50/1:25

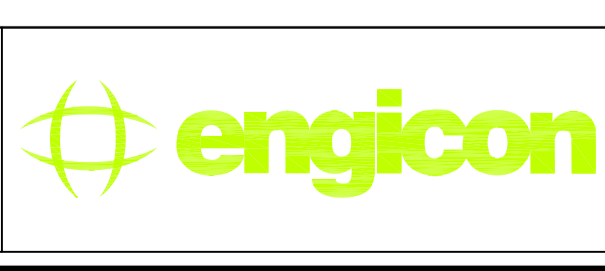


RB22/RB23/RB24/RB25
1:50/1:25



REV.	DATE	REMARKS

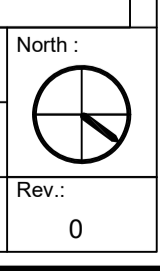
NOTES:

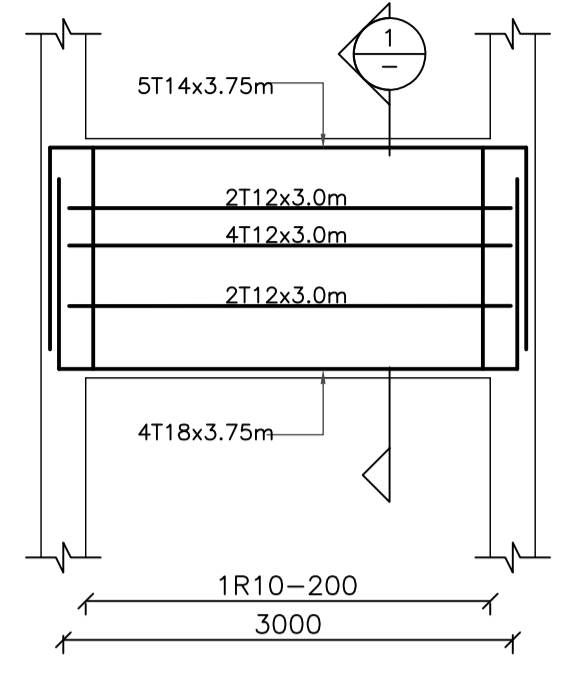


Jumana Bint Abi Taleb Basic Mixed School
(Amman- Marka)
SCHOOLS FOR A KNOWLEDGE ECONOMY
PROJECT (USAID SKEP)

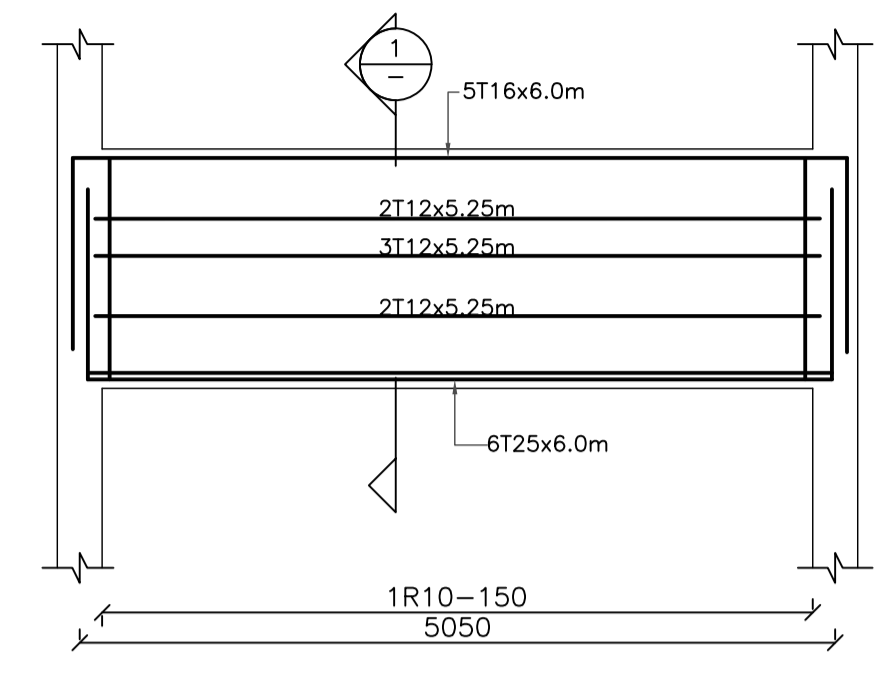
DRAWING NAME: ROOF FLOOR BEAMS-2-		
DESIGN: A.KH.	DRAWN: CAD	CHECKED: R.K
SCALE: 1:50-1:25	DATE: MAY 2019	APPROVED: W.Z.
PLOT No: 1496	LOCATION: Marka	BASIN NO: 1 Hanao Al Kassar

DRAWING NUMBER: SKEP-18-SSB-513		Rev.: 0
------------------------------------	--	------------

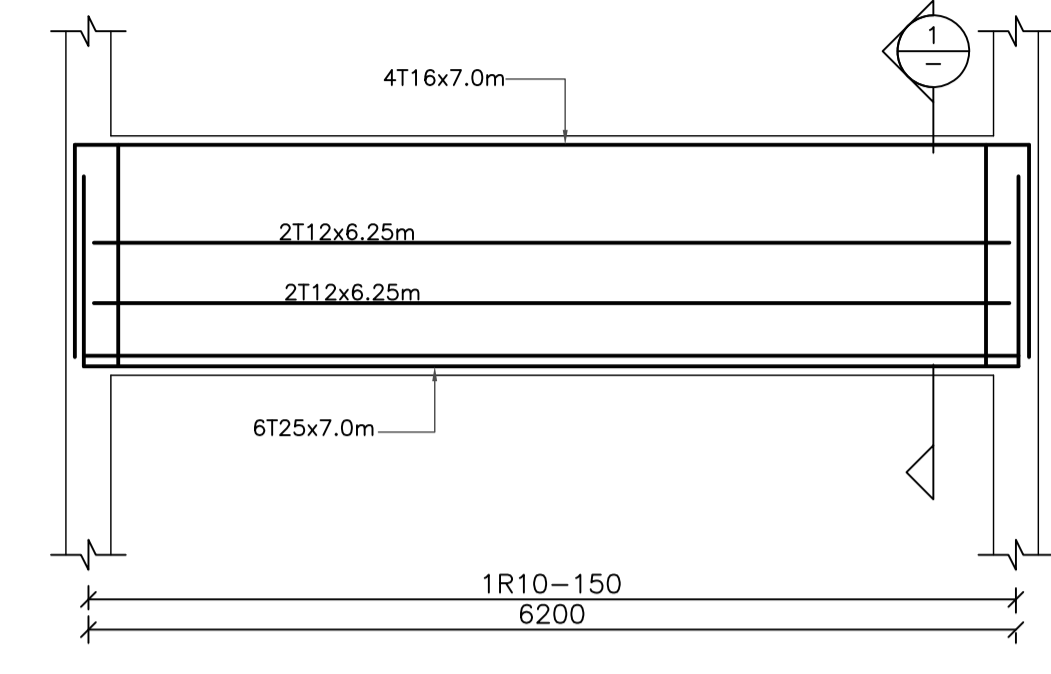




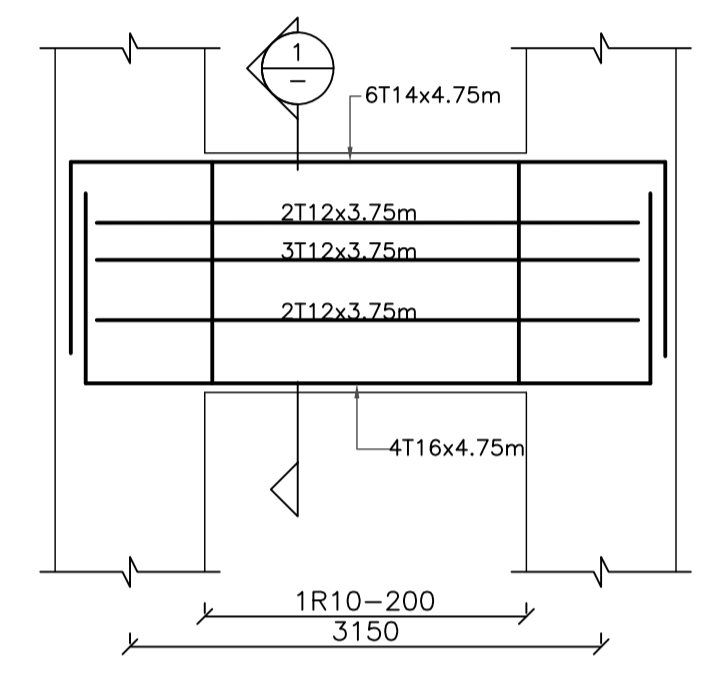
RB27
1:50/1:25



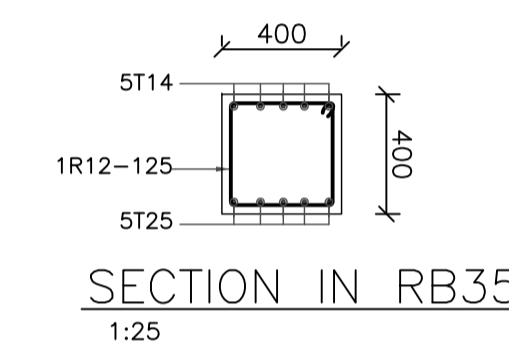
RB28
1:50/1:25



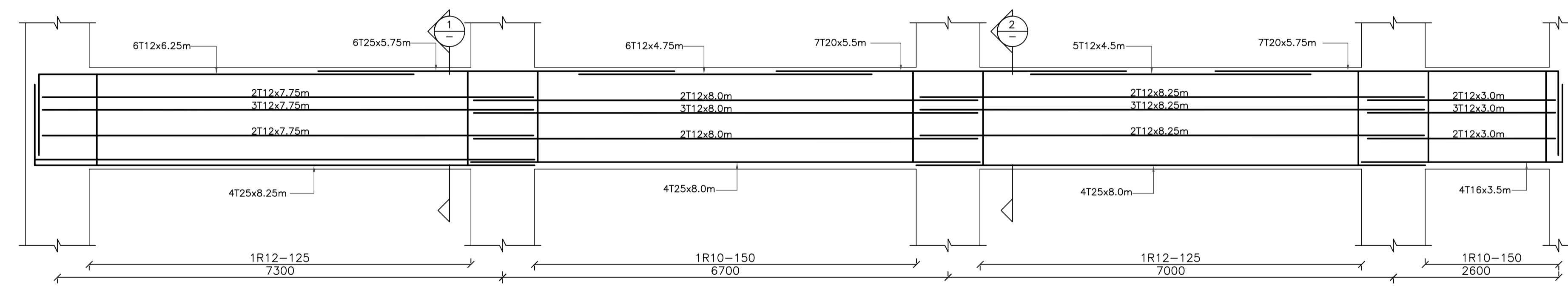
RB29
1:50/1:25



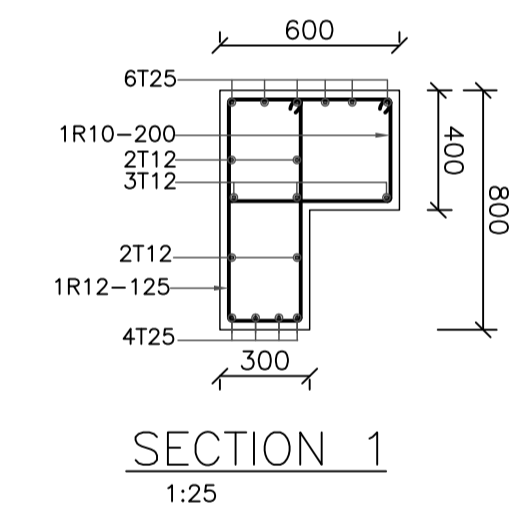
RB30
1:50/1:25



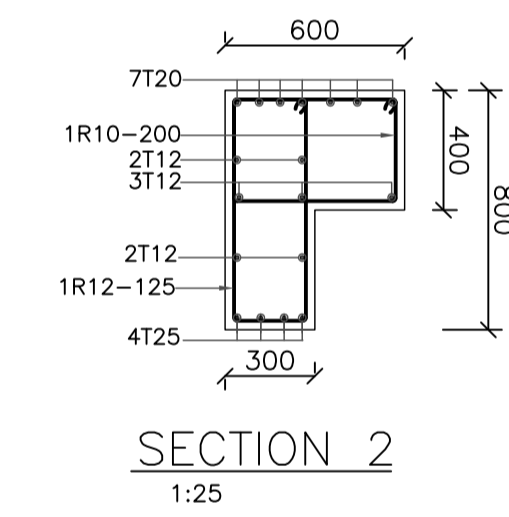
SECTION IN RB35
1:25



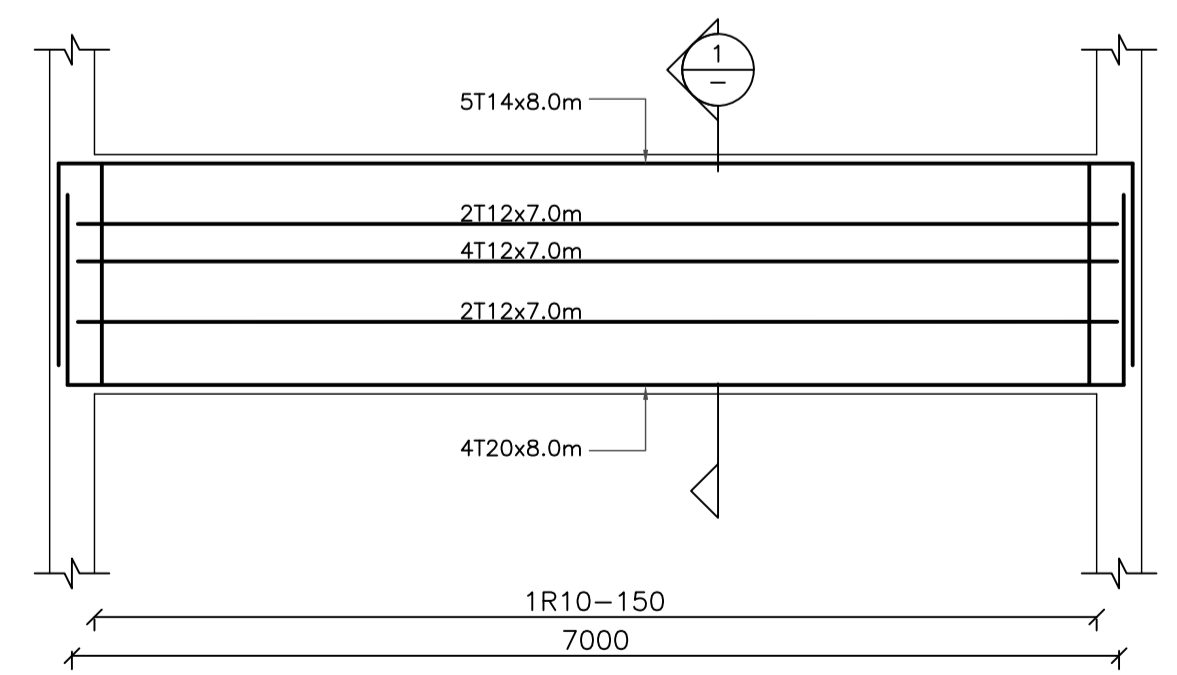
RB31/RB32/RB33/RB34
1:50/1:25



SECTION 1
1:25



SECTION 2
1:25



RB53
1:50/1:25

REV.	DATE	REMARKS

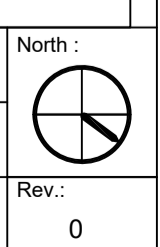
NOTES:

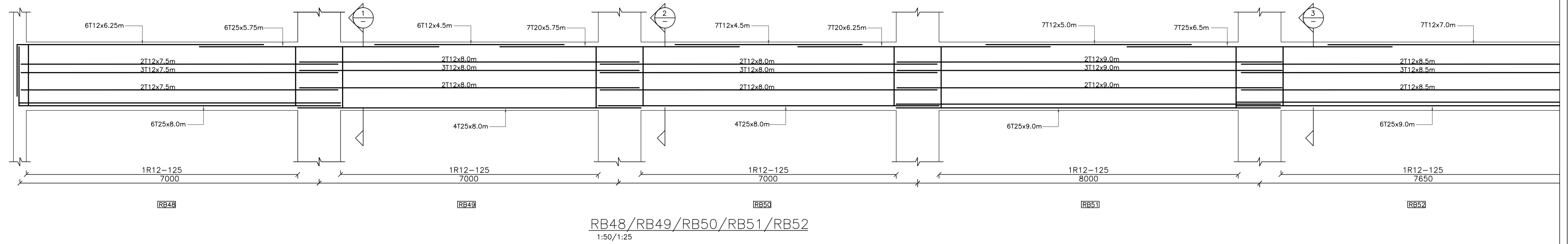


Jumana Bint Abi Taleb Basic Mixed School
(Amman- Marka)
SCHOOLS FOR A KNOWLEDGE ECONOMY
PROJECT (USAID SKEP)

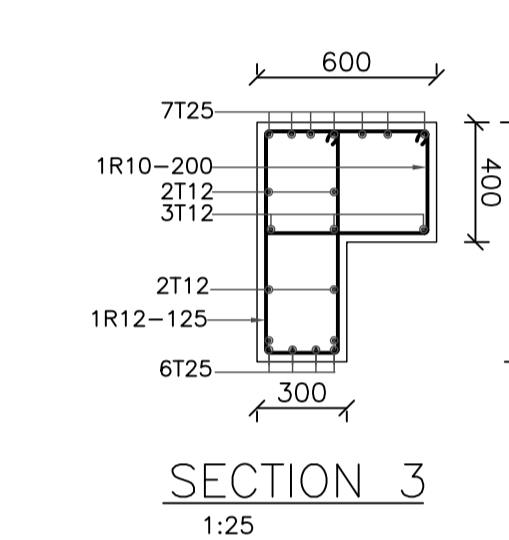
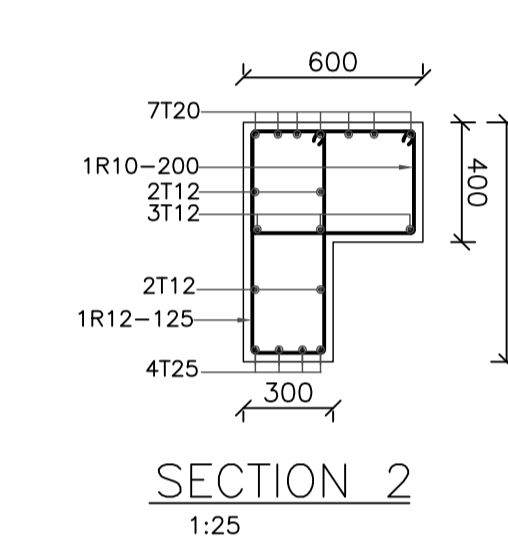
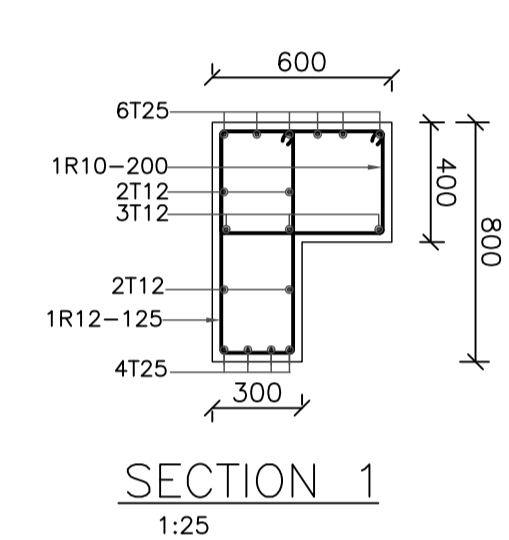
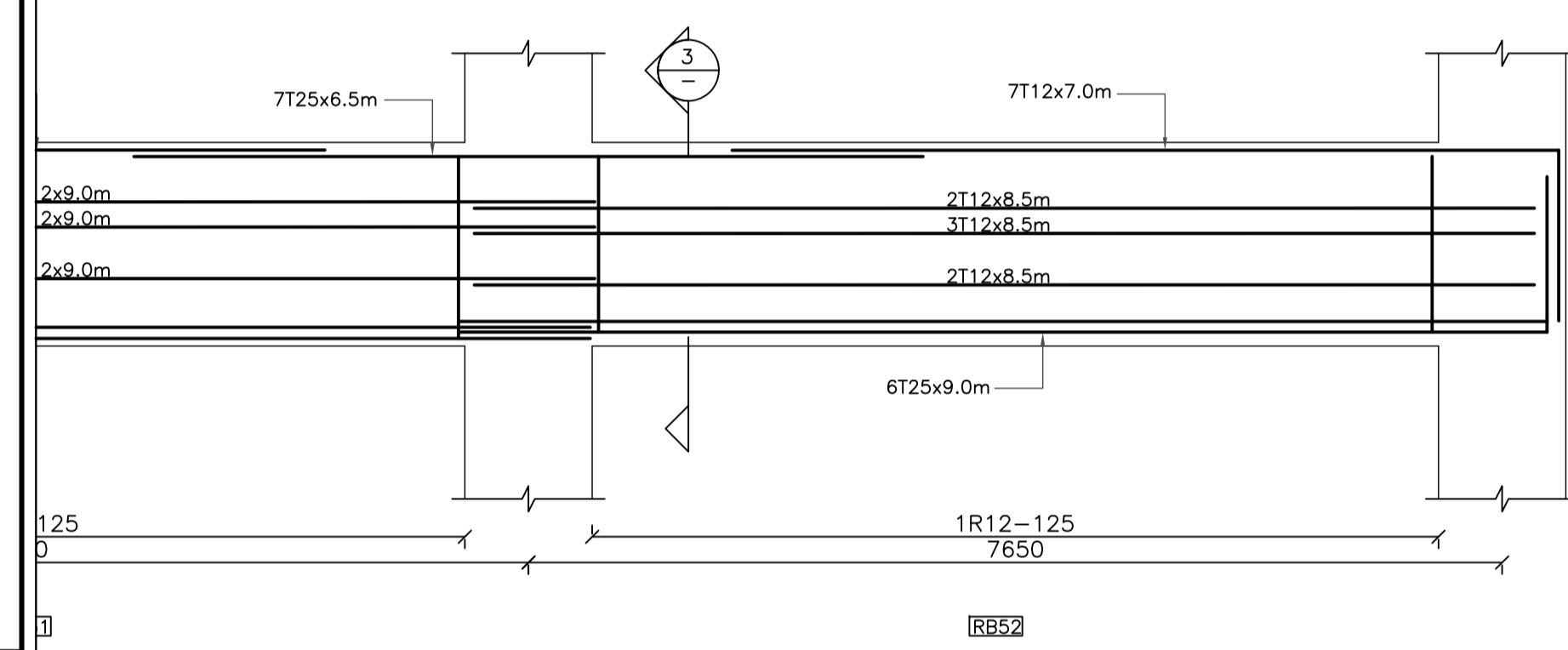
DRAWING NAME: ROOF FLOOR BEAMS-3-		
Design: A.KH.	Drawn: CAD	Checked: R.K
SCALE: 1:50-1:25	Date: MAY 2019	Approved: W.Z.
PLOT No 1496	LOCATION Marka	BASIN NO 1 Hanao Al Kassar

DRAWING NUMBER: SKEP-18-SSB-514		Rev.: 0
------------------------------------	--	------------





RB48/RB49/RB50/RB51/RB52
1:50/1:25

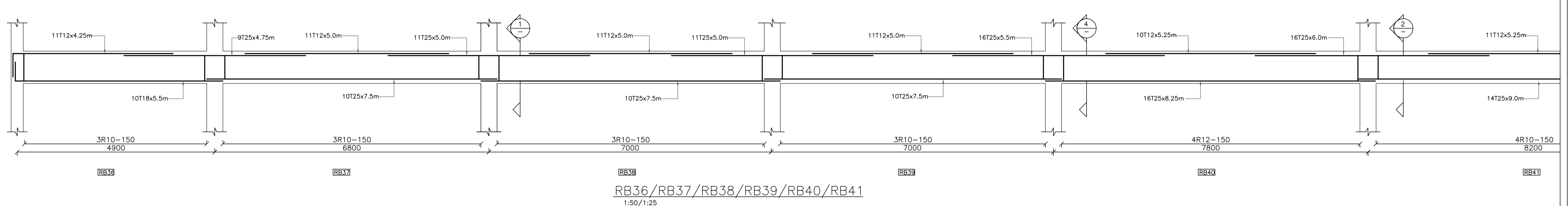


SECTION 1
1:25

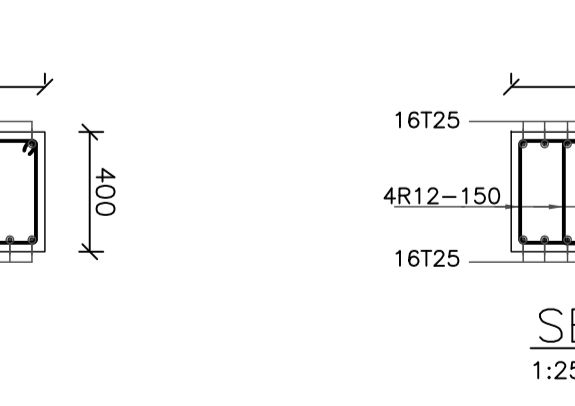
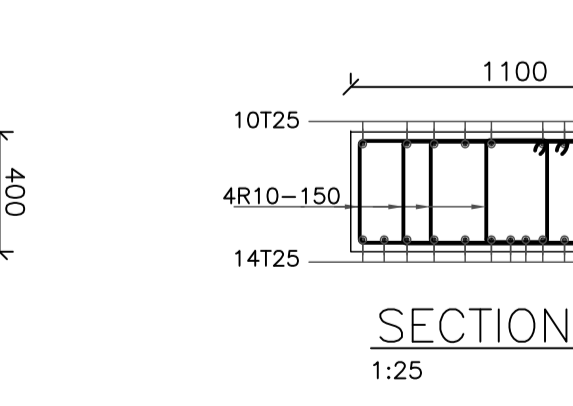
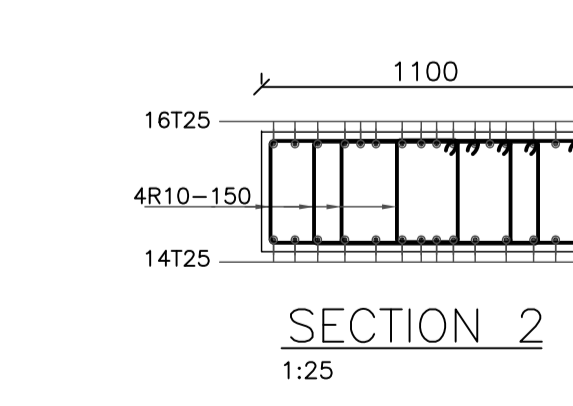
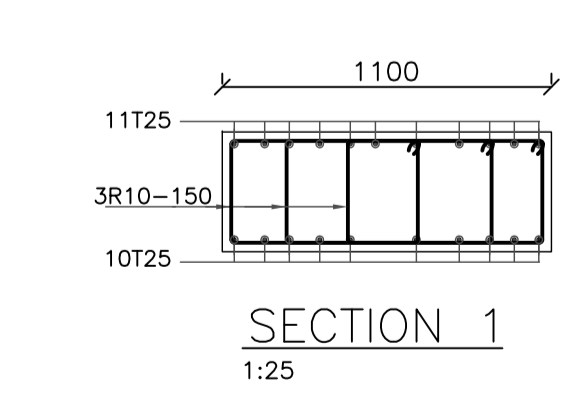
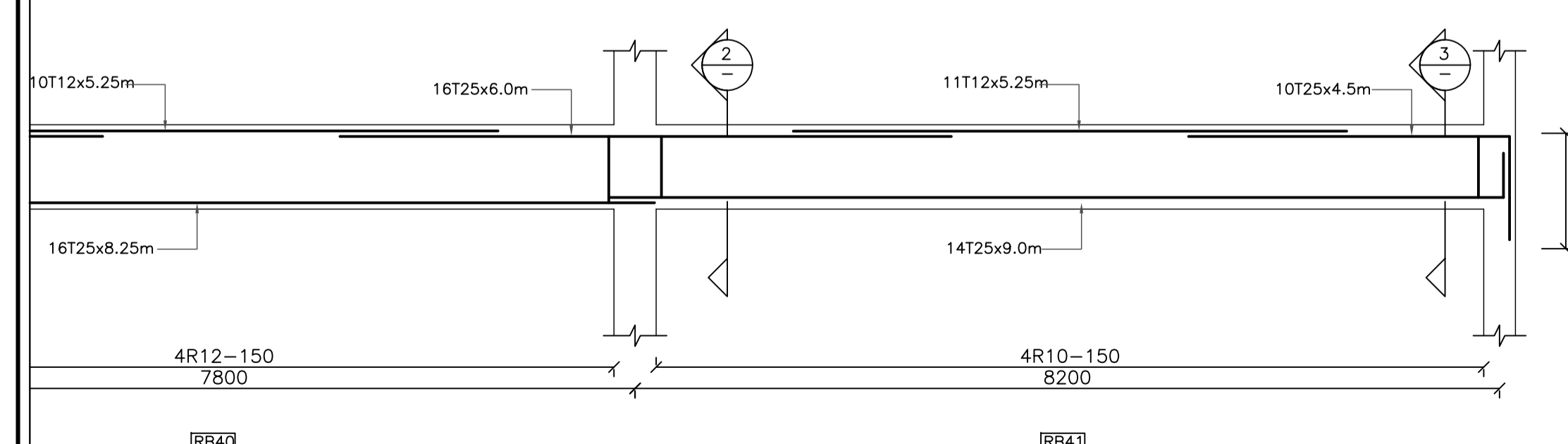
SECTION 2
1:25

SECTION 3
1:25

RB52



RB36/RB37/RB38/RB39/RB40/RB41
1:50/1:25



SECTION 1
1:25

SECTION 2
1:25

SECTION 3
1:25

SECTION 4
1:25

RB40

RB41

REV.	DATE	REMARKS

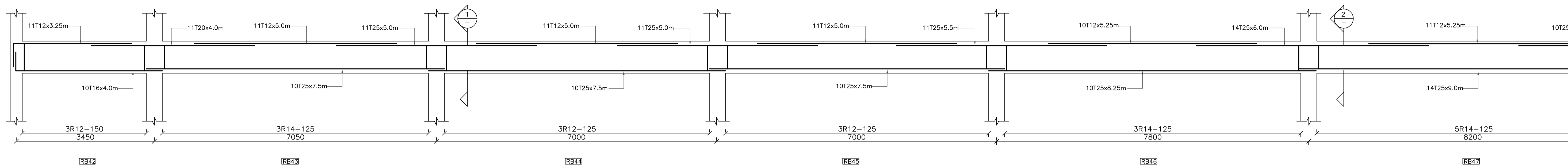
NOTES:



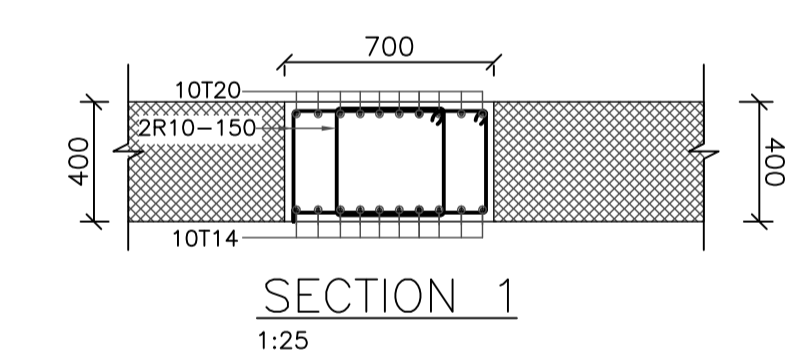
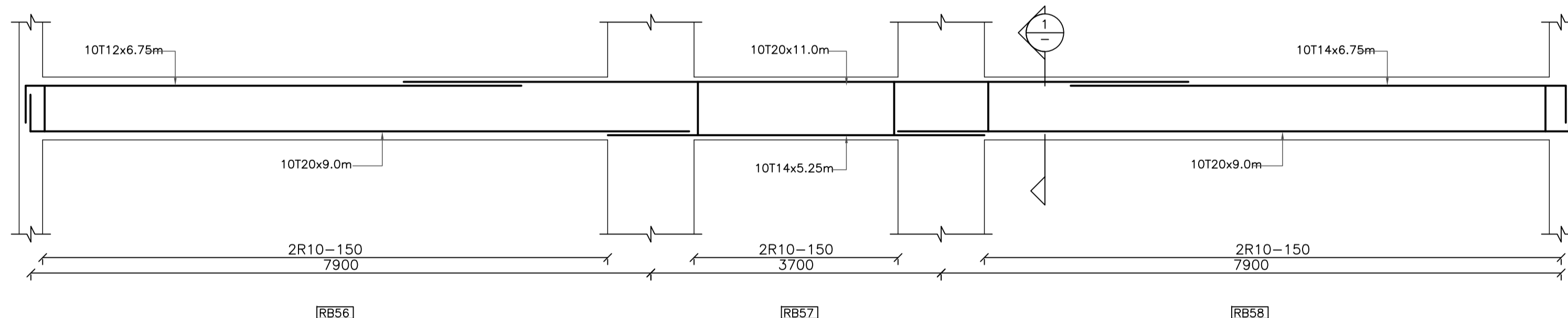
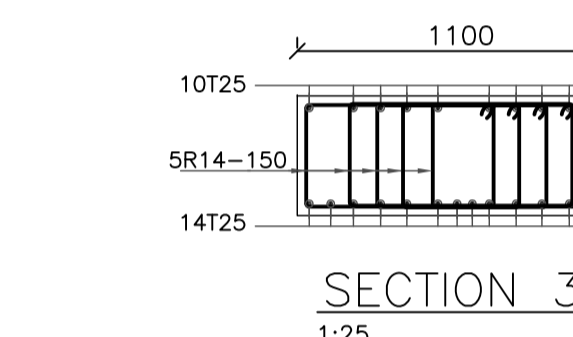
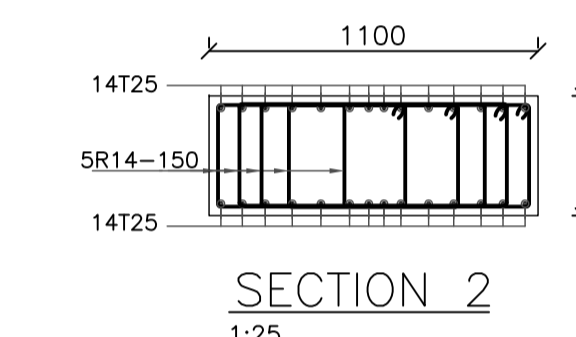
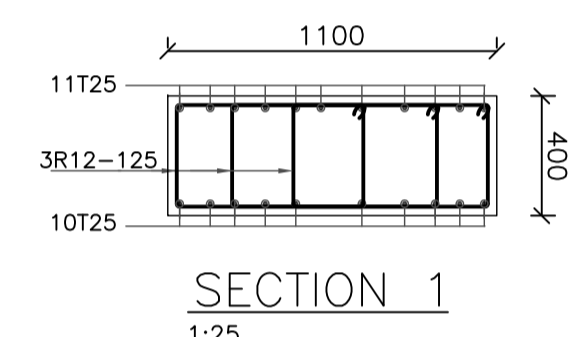
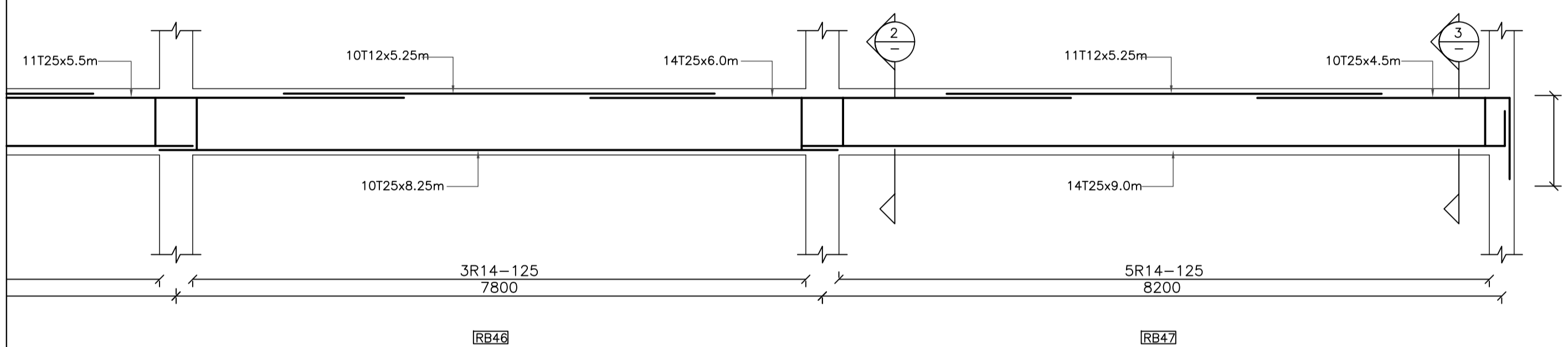
Jumana Bint Abi Taleb Basic Mixed School
(Amman- Marka)
SCHOOLS FOR A KNOWLEDGE ECONOMY
PROJECT (USAID SKEP)

DRAWING NAME: ROOF FLOOR BEAMS-4		
Design: A.KH.	Drawn: CAD	Checked: R.K
SCALE: 1:50-1:25		
Date: MAY 2019		
Approved: W.Z.		
PLOT No 1496	LOCATION Marka	BASIN NO 1 Hanao Al Kassar
DRAWING NUMBER: SKEP-18-SSB-515		

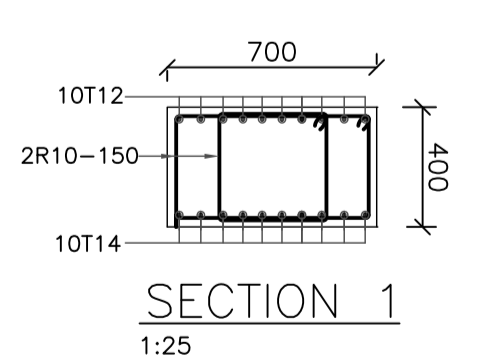
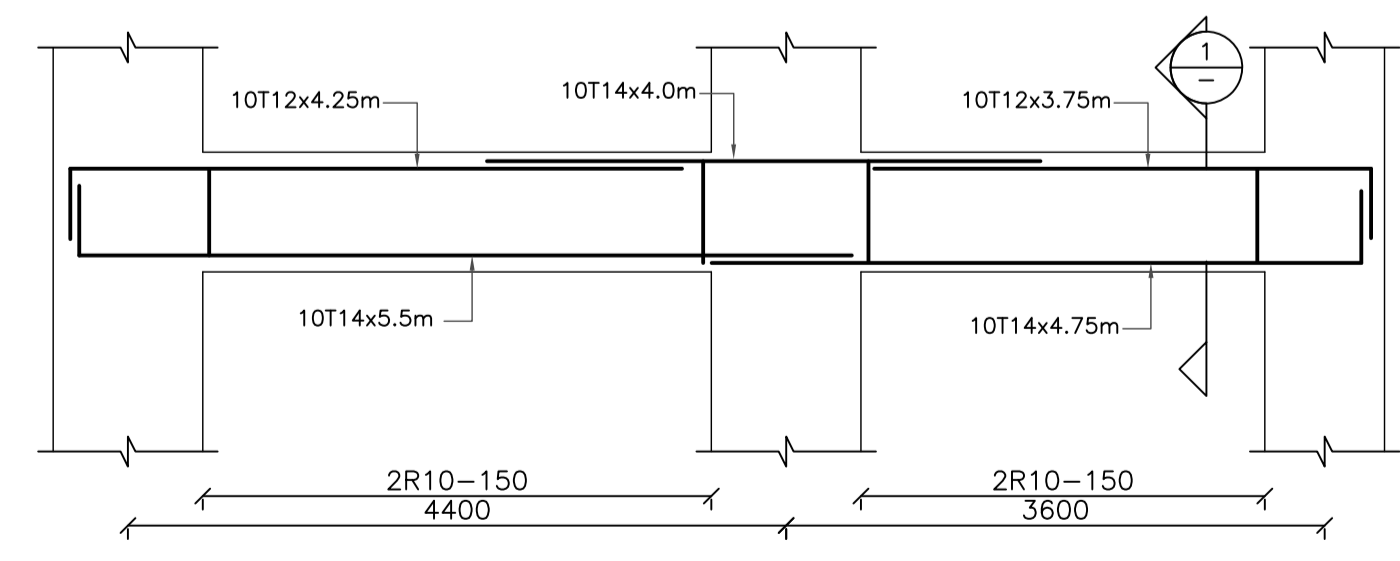
North:
Rev.: 0



RB42/RB43/RB44/RB45/RB46/RB47
1:50/1:25



RB56/RB57/RB58
1:50/1:25



RB54/RB55
1:50/1:25

REV.	DATE	REMARKS

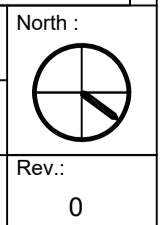
NOTES:

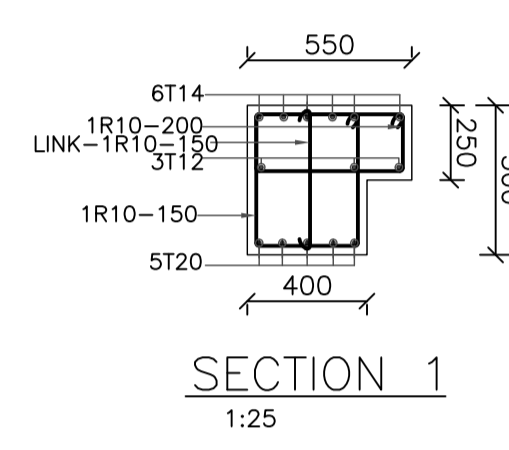
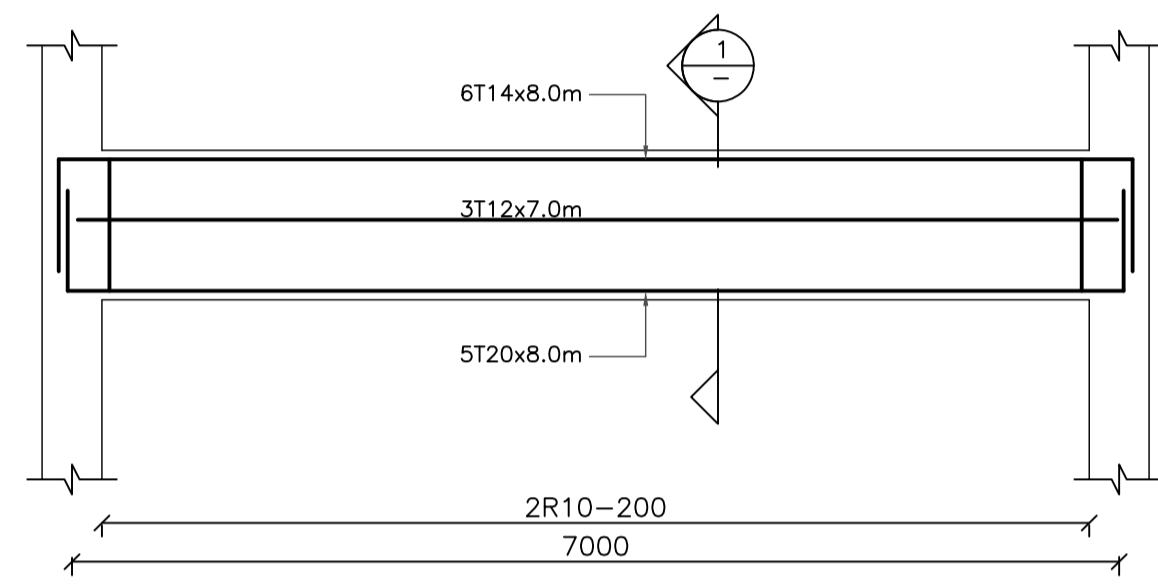


Jumana Bint Abi Taleb Basic Mixed School
(Amman- Marka)
SCHOOLS FOR A KNOWLEDGE ECONOMY
PROJECT (USAID SKEP)

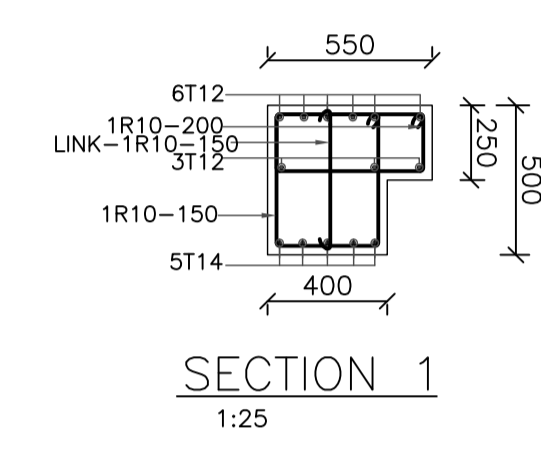
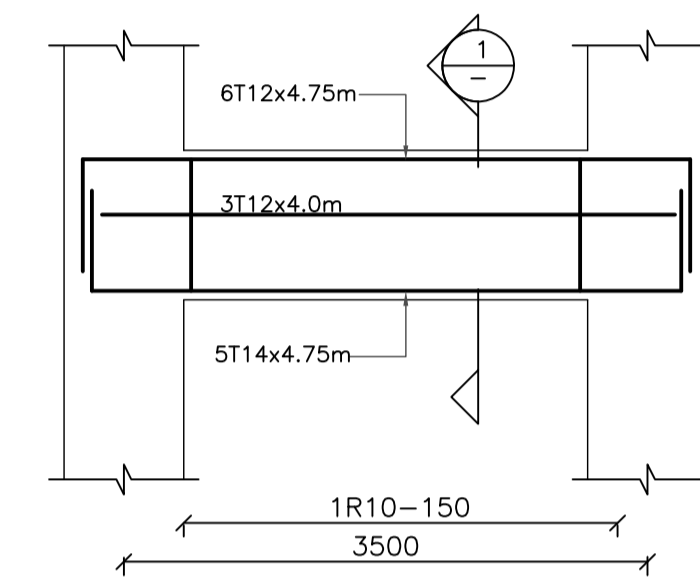
DRAWING NAME: ROOF FLOOR BEAMS-5-		
Design: A.KH.	Drawn: CAD	Checked: R.K
SCALE: 1:50-1:25	Date: MAY 2019	Approved: W.Z.
PLOT No 1496	LOCATION Marka	BASIN NO 1 Hanao Al Kassar

DRAWING NUMBER: SKEP-18-SSB-516		Rev.: 0
------------------------------------	--	------------

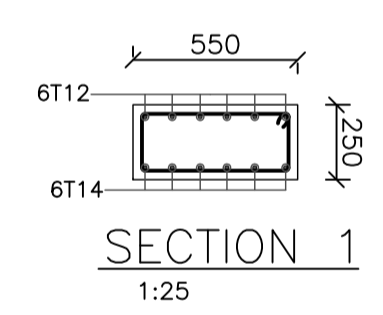
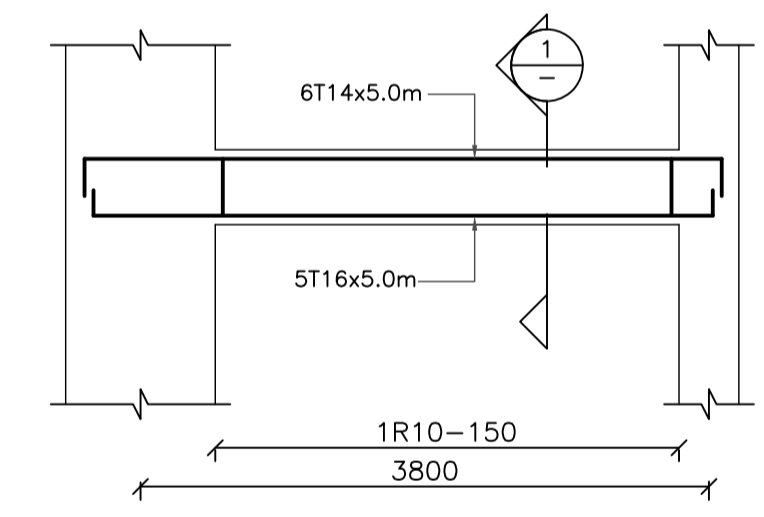




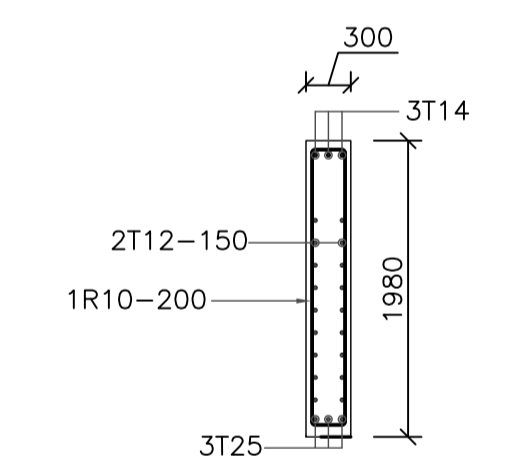
TORB1
1:50/1:25



TORB2
1:50/1:25



TORB3
1:50/1:25



SECTION IN TORB4
1:25

REV.	DATE	REMARKS

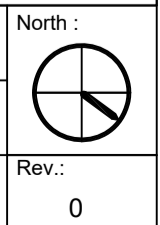
NOTES:

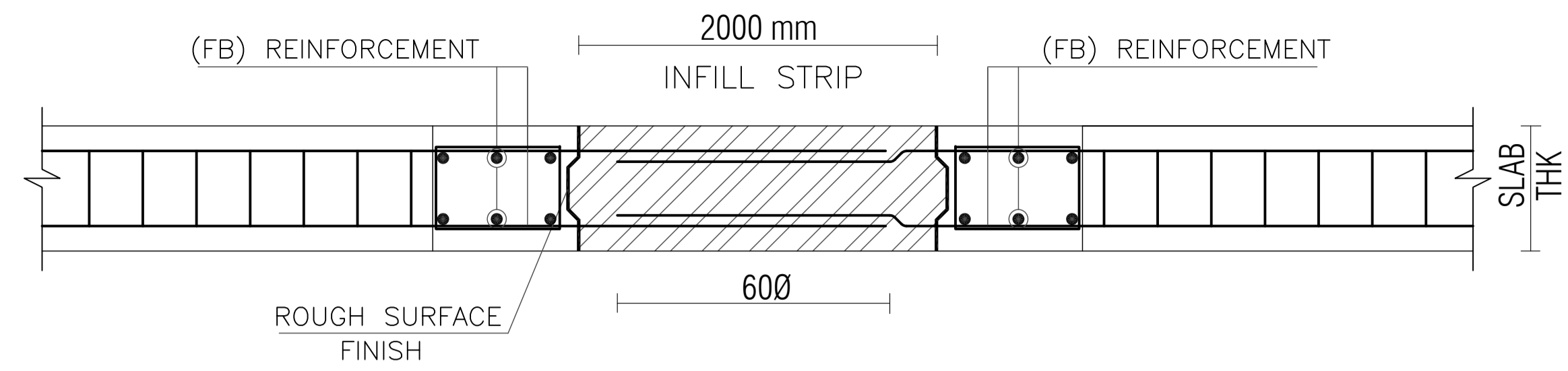


Jumana Bint Abi Taleb Basic Mixed School
(Amman- Marka)
SCHOOLS FOR A KNOWLEDGE ECONOMY
PROJECT (USAID SKEP)

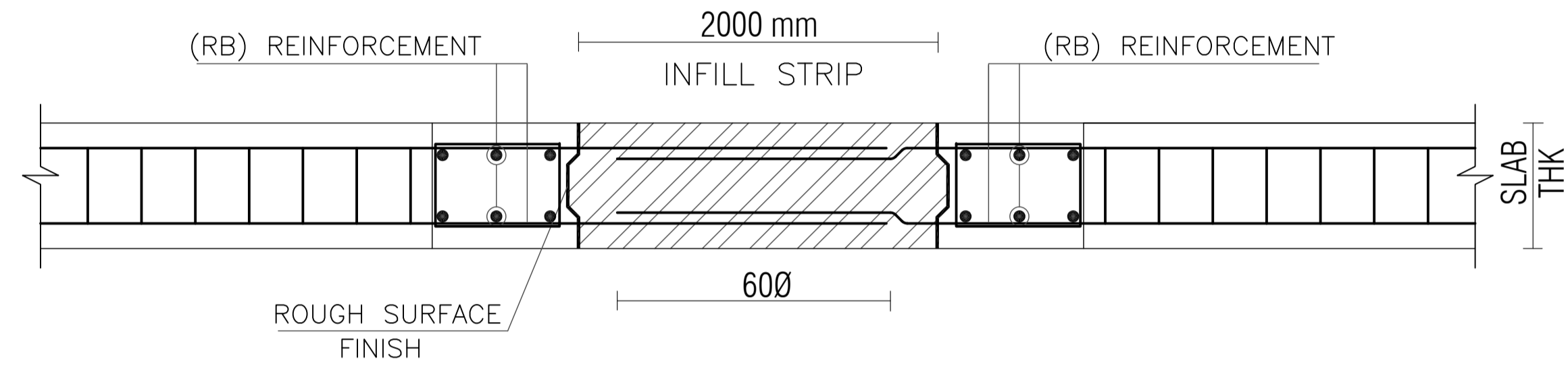
DRAWING NAME: TOP OF ROOF BEAMS		
DESIGN: A.KH.	DRAWN: CAD	CHECKED: R.K
SCALE: 1:50-1:25	DATE: MAY 2019	APPROVED: W.Z.
PLOT No 1496	LOCATION Marka	BASIN NO 1 Hanao Al Kassar

DRAWING NUMBER: SKEP-18-SSB-517		Rev.: 0
---	--	------------

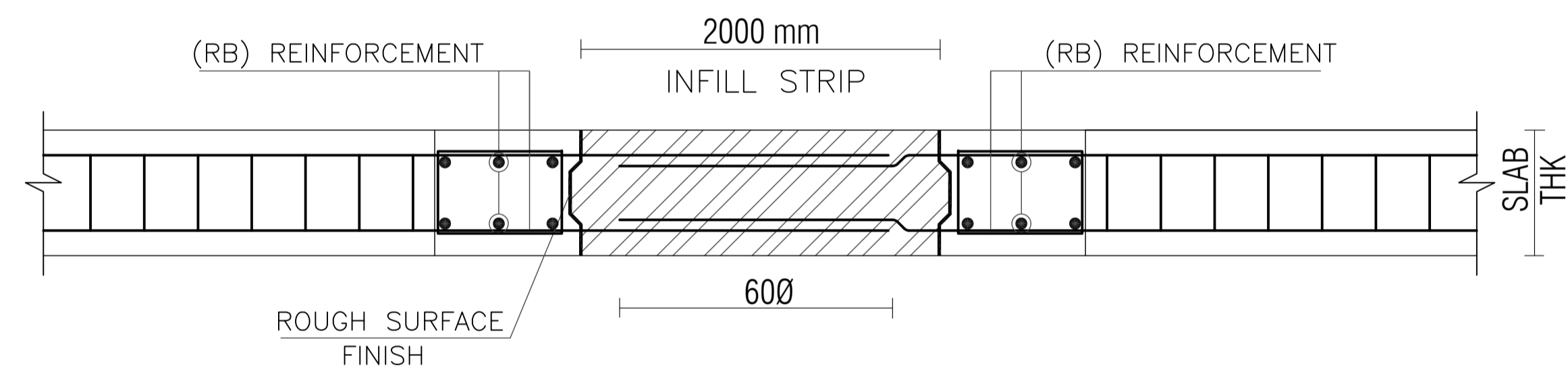




TYPICAL FIRST FLOOR INFILL STRIPS DETAIL
N.T.S



TYPICAL SECOND FLOOR INFILL STRIPS DETAIL
N.T.S



TYPICAL ROOF FLOOR INFILL STRIPS DETAIL
N.T.S

- THE INFILL STRIP TO GBE CAST 30 TO 60 DAYS LATER THAN THE ADJACENT UNIT TO REESTABLISH CONTINUITY. LOW W/C RATIO SHALL GBE ADOPTED WHEN CASTING THE INFILL STRIPS.
- IT IS NECESSARY TO LAP THE REINFORCING GBARS WITHIN THE STRIP AS SHOWN IN THE ABOVE FIGURE.
- CONTINUOUS SUPPORT SYSTEMS (SUCH AS FORMWORK, GBRACING, OR FULL SUPPORT) MUST GBE USED TO ASSURE THE STABILITY OF STRUCTURE AND SHOULD INTACT THE STABILITY AND ALIGNMENT OF ADJOINING PARTS OF THE BUILDING.
- THE EXPOSED REINFORCING GBARS IN THE INFILL STRIP SHALL GBE PRIMED WITH CONCESSIVE ZR (SINGLE COMPONENT EPOXY BASED ZINC RICH PRIMER FOR STEEL) PROVIDING ACTIVE GALVANIC PROTECTION STEEL.
- INFILL STRIPS SHALL GBE CAST FLOOR BY FLOOR.
- THE PREVIOUSLY CAST PARTS SHALL GBE PREPARED THROUGH CONVENTIONAL ROUGH CHAMFERED EDGE FOR THE BETTER ADHERENCE WITH THE SHRINKAGE STRIP.
- FORMWORK TO BE REMOVED AFTER 28 DAY

REV.	DATE	REMARKS

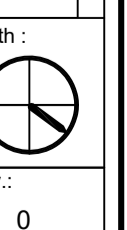
NOTES:

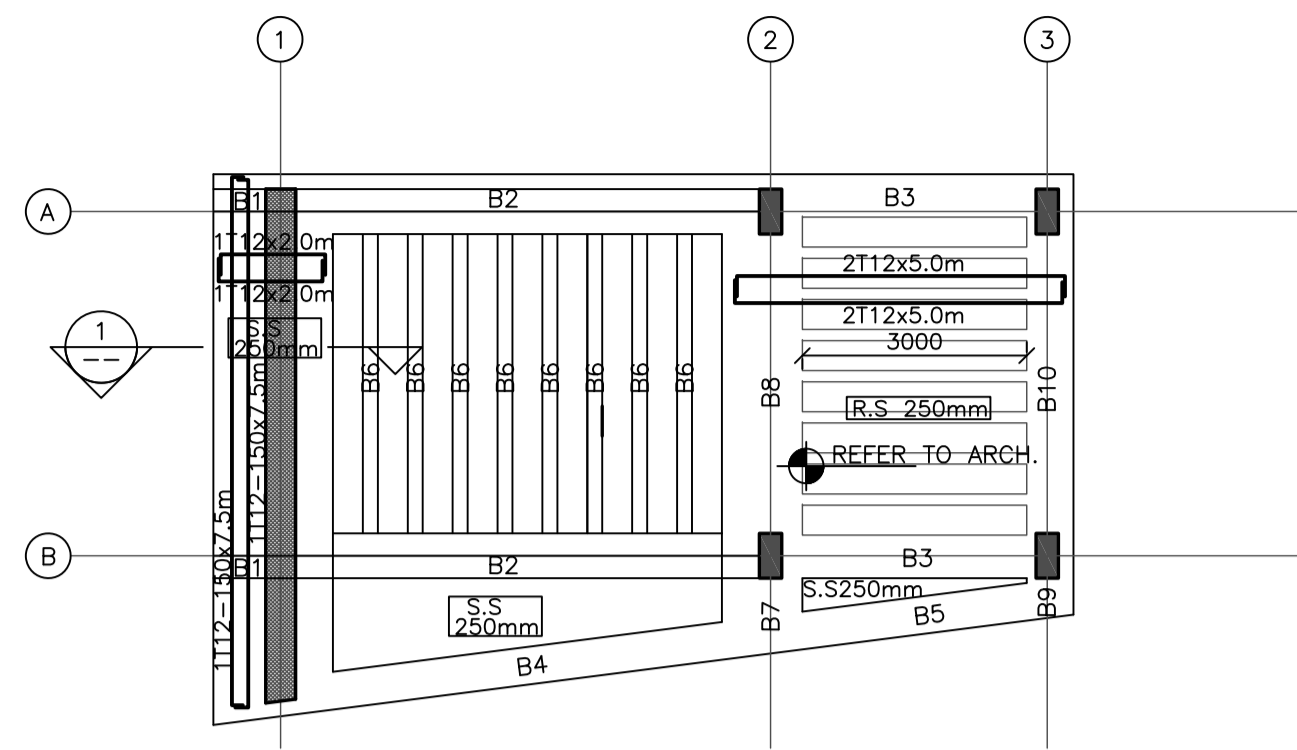


Jumana Bint Abi Taleb Basic Mixed School
(Amman- Marka)
SCHOOLS FOR A KNOWLEDGE ECONOMY
PROJECT (USAID SKEP)

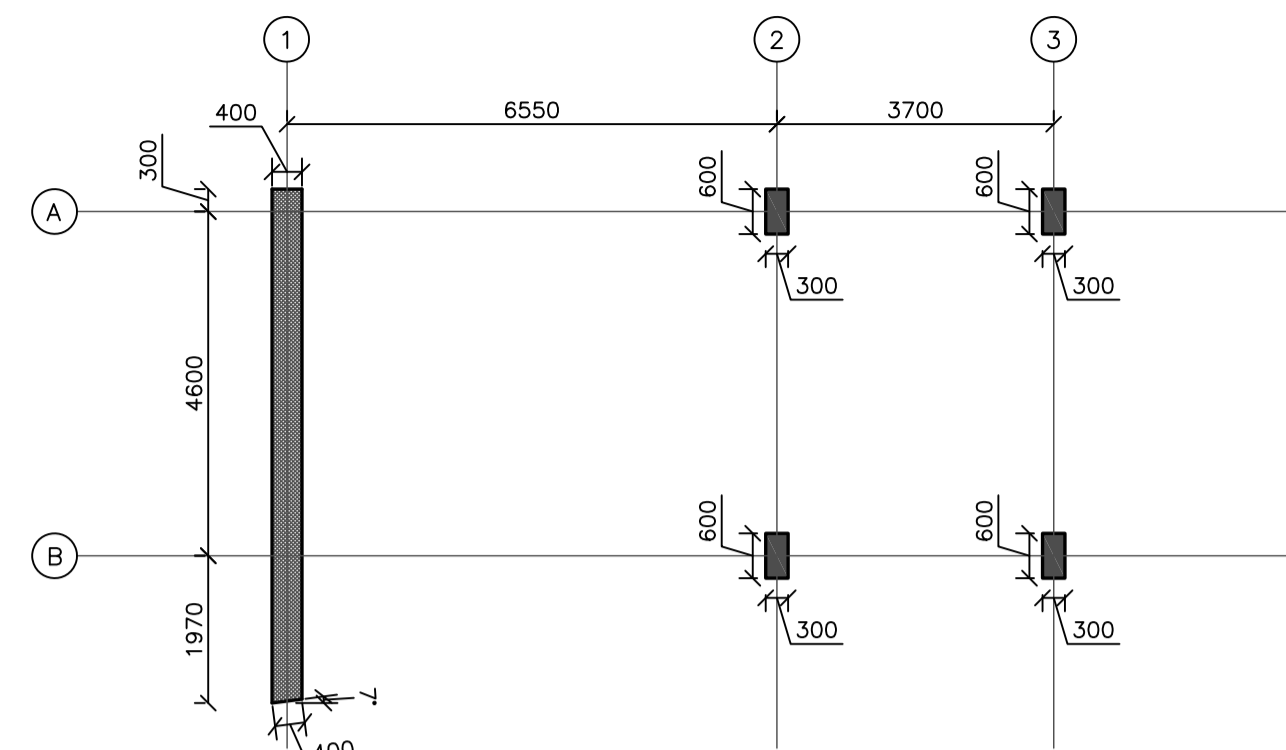
DRAWING NAME: INFILL STRIP DETAIL		
DESIGN: A.KH.	DRAWN: CAD	CHECKED: R.K
SCALE: N.T.S	DATE: MAY 2019	APPROVED: W.Z.
PLOT No 1496	LOCATION Marka	BASIN NO 1 Hanao Al Kassar

DRAWING NUMBER: SKEP-18-SSB-518		Rev.: 0
------------------------------------	--	------------

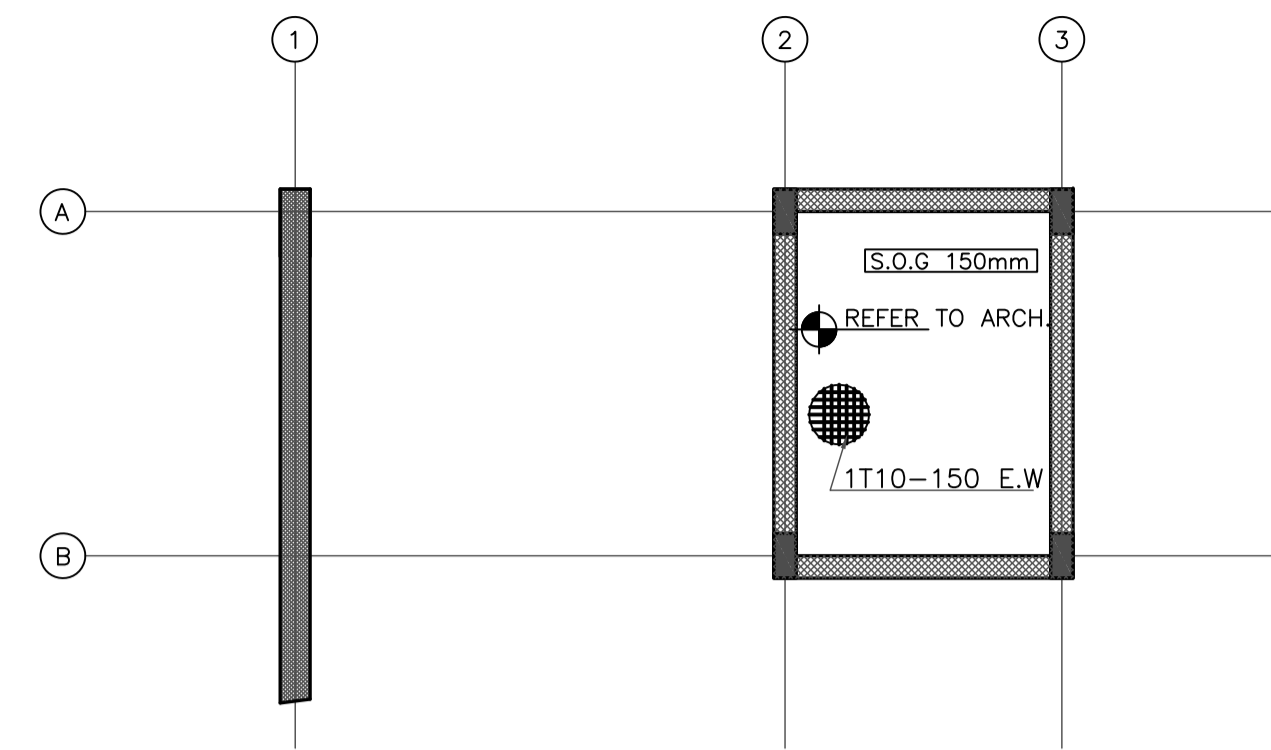




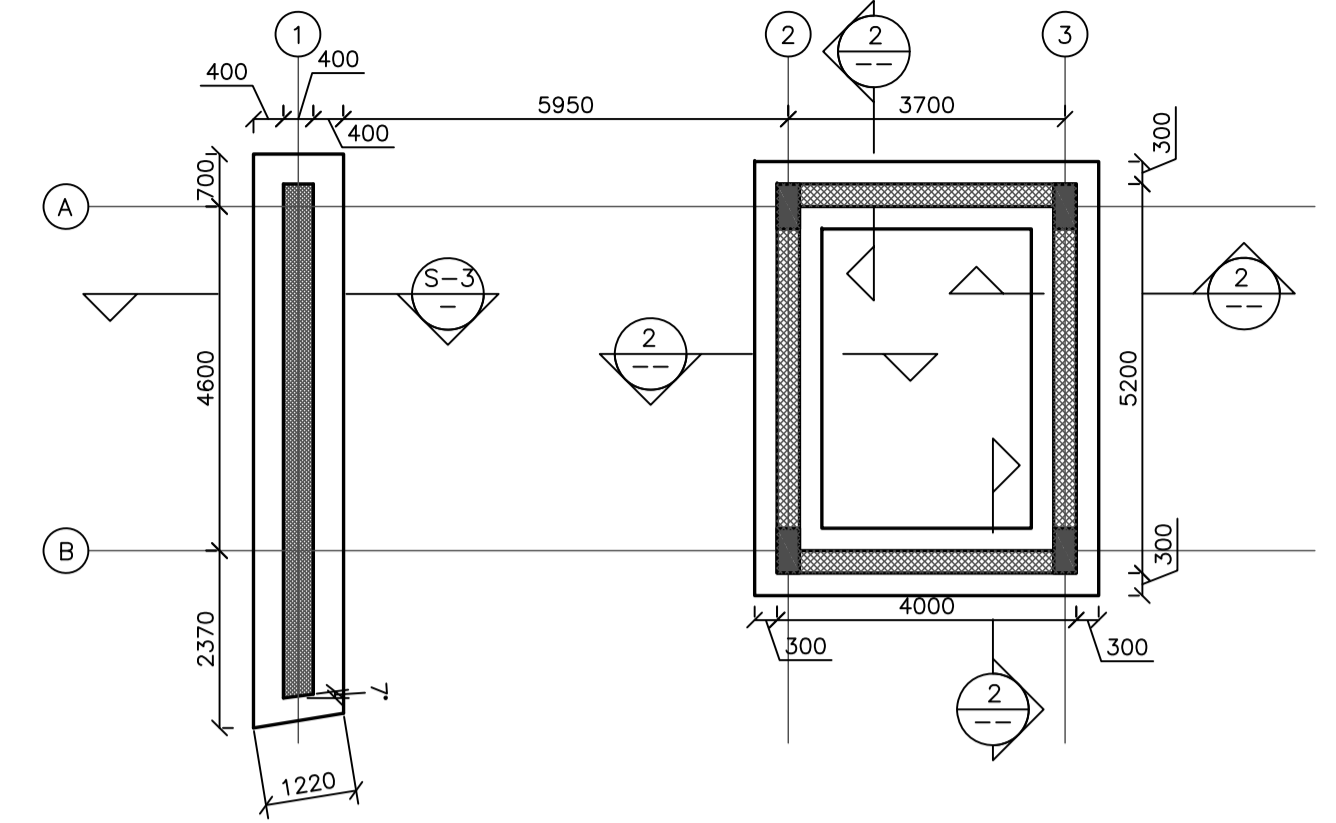
ROOF FLOOR FRAMING PLAN
1:100



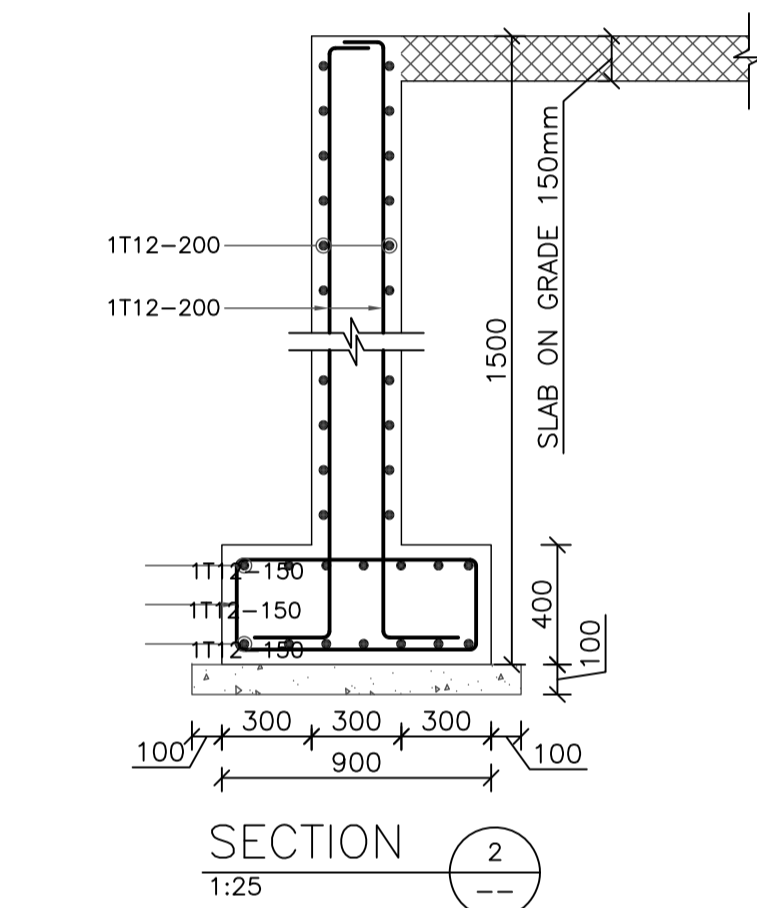
COLUMNS LAYOUT
1:100



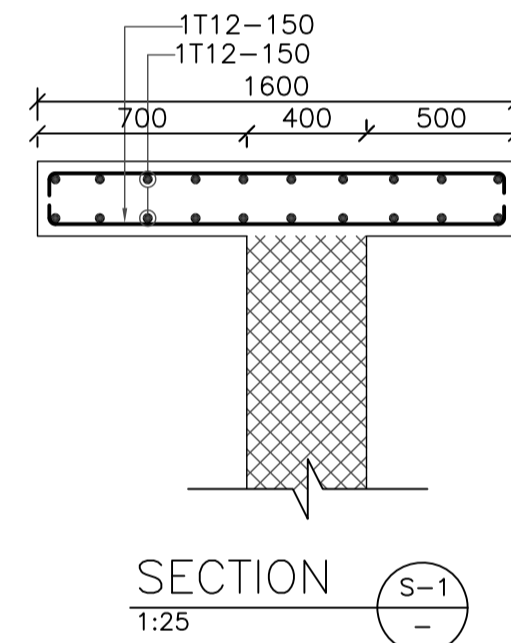
GROUND FLOOR FRAMING PLAN
1:100



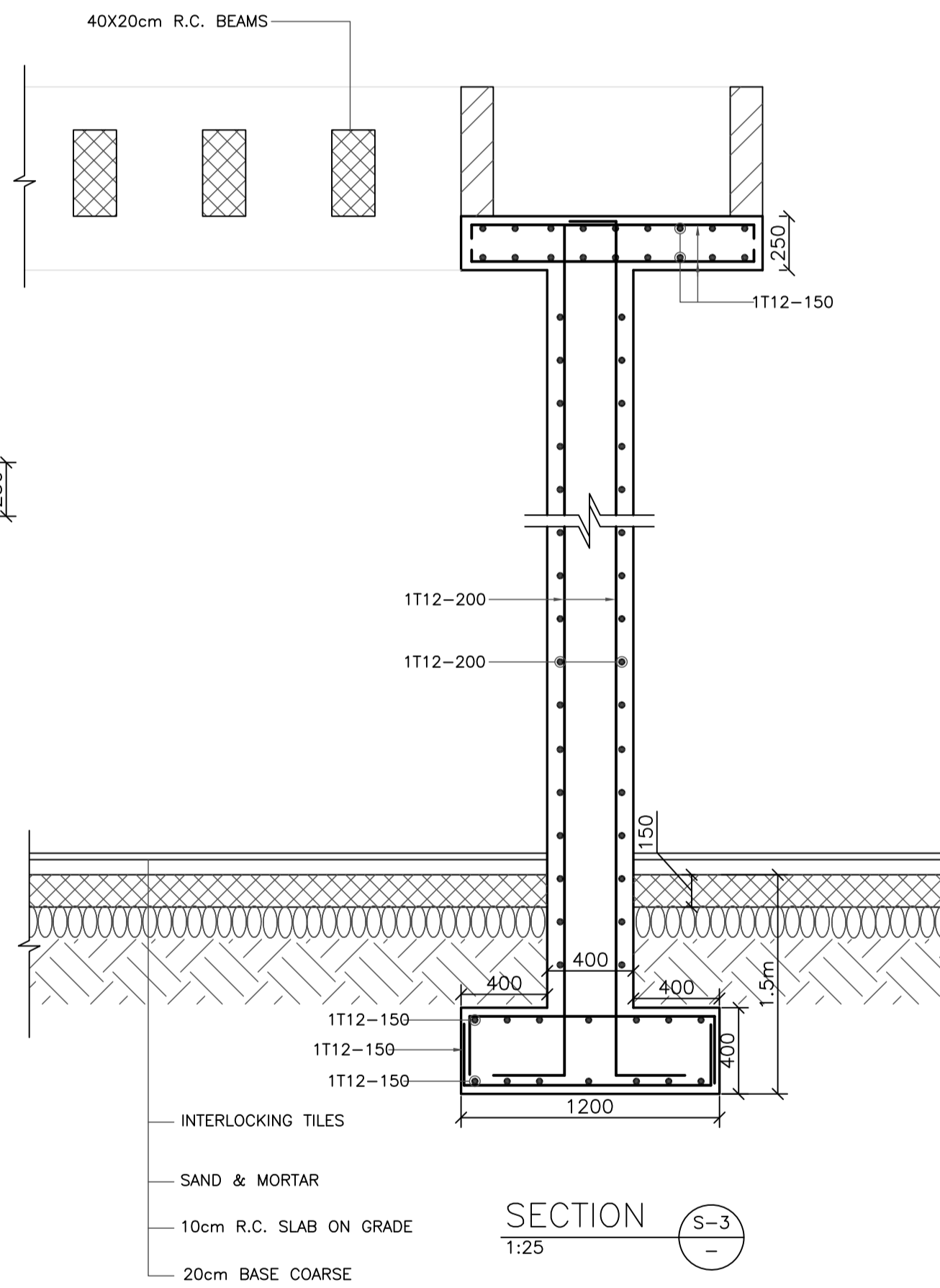
FOUNDATION PLAN
1:100



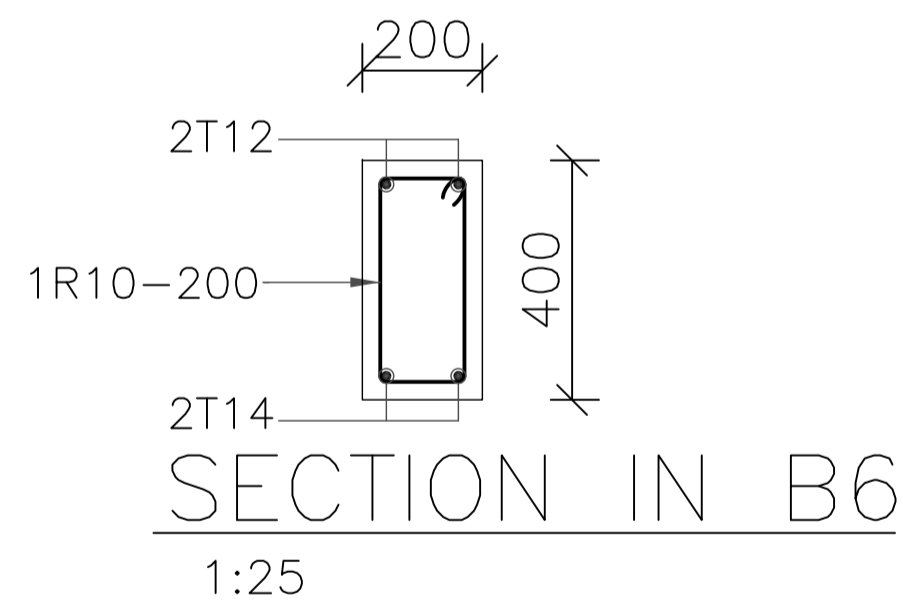
SECTION 2
1:25



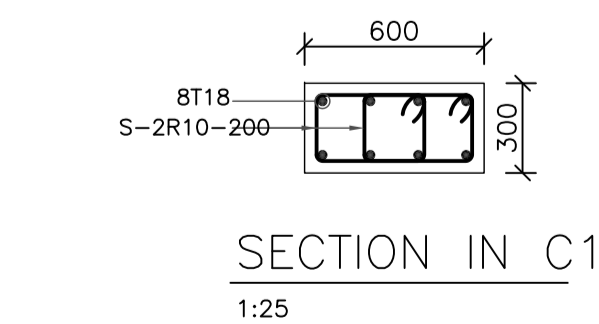
SECTION S-1
1:25



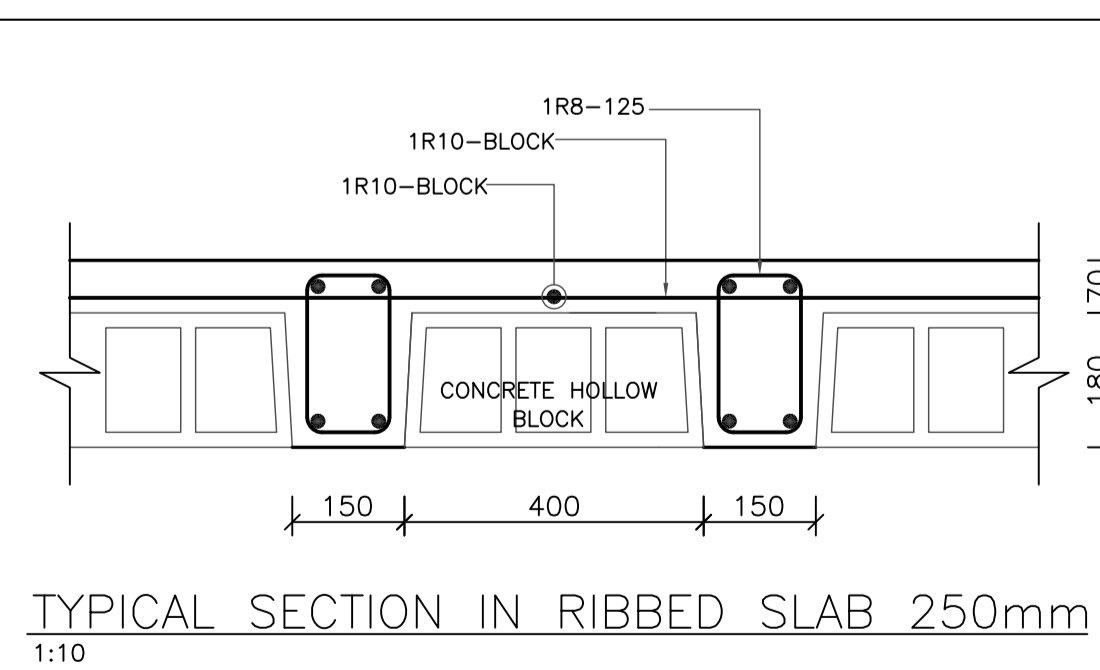
SECTION S-3
1:25



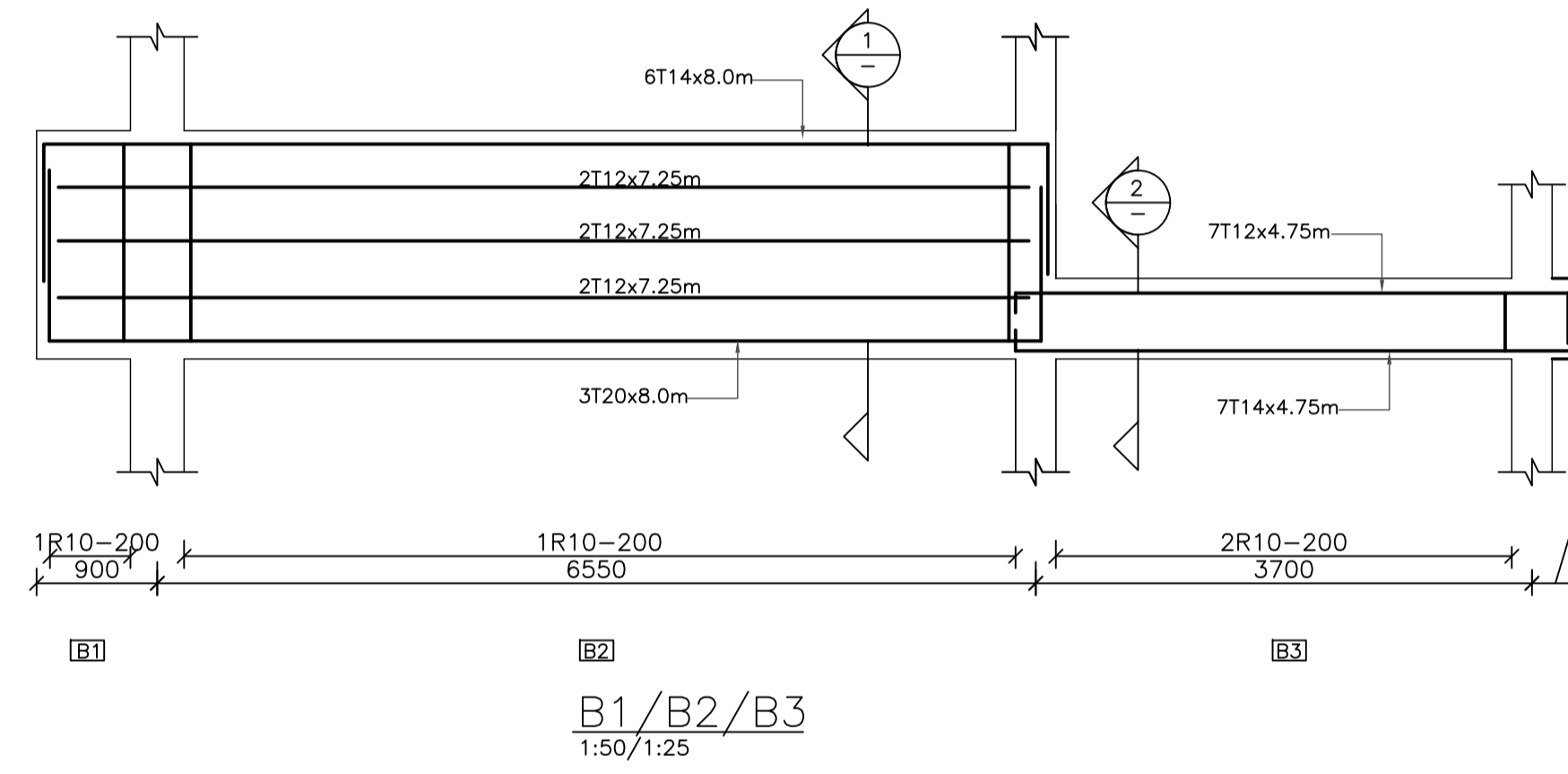
SECTION IN B6
1:25



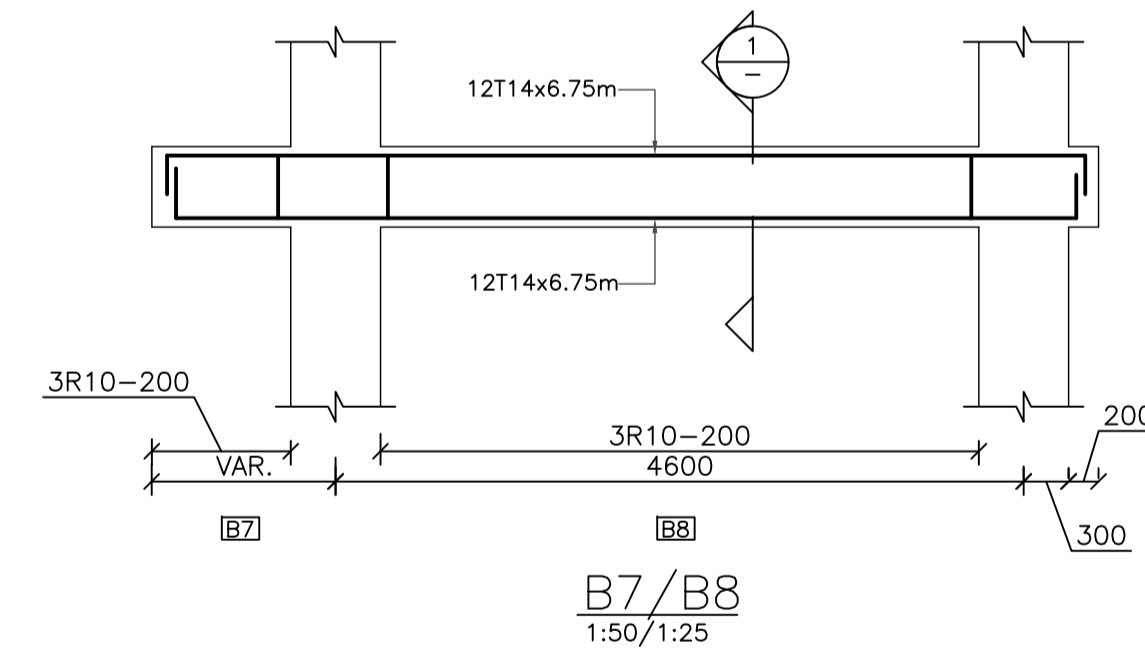
SECTION IN C1
1:25



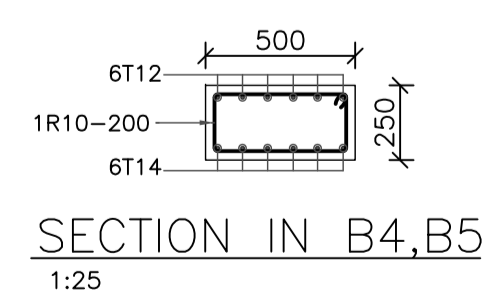
TYPICAL SECTION IN RIBBED SLAB 250mm
1:10



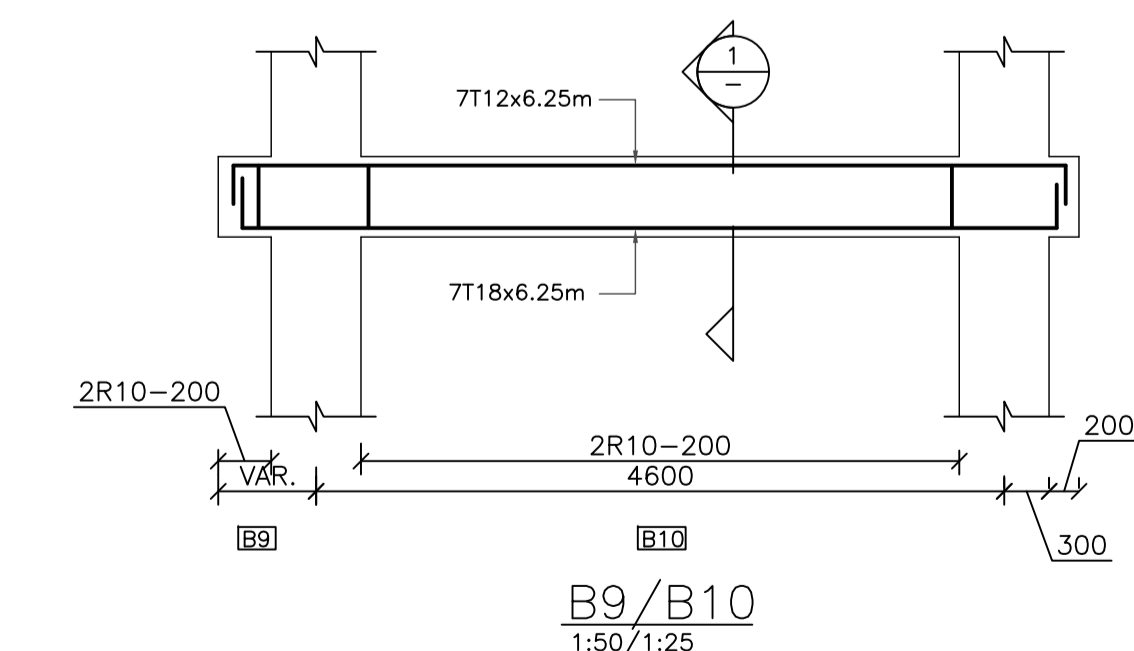
B1/B2/B3
1:50/1:25



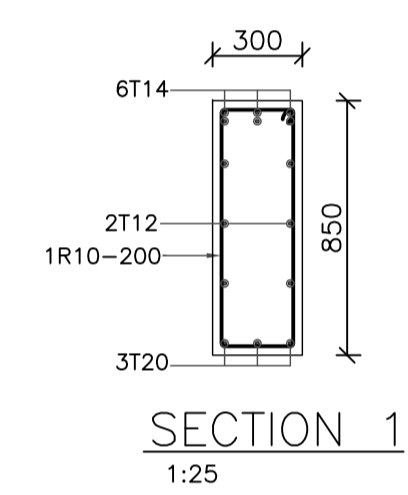
B7/B8
1:50/1:25



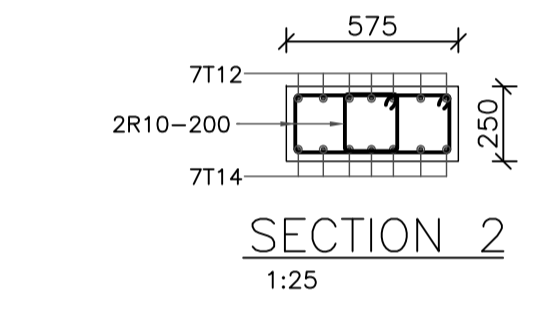
SECTION IN B4,B5
1:25



B9/B10
1:50/1:25



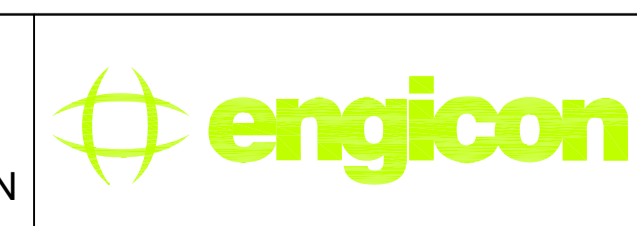
SECTION 1
1:25



SECTION 2
1:25

REV.	DATE	REMARKS

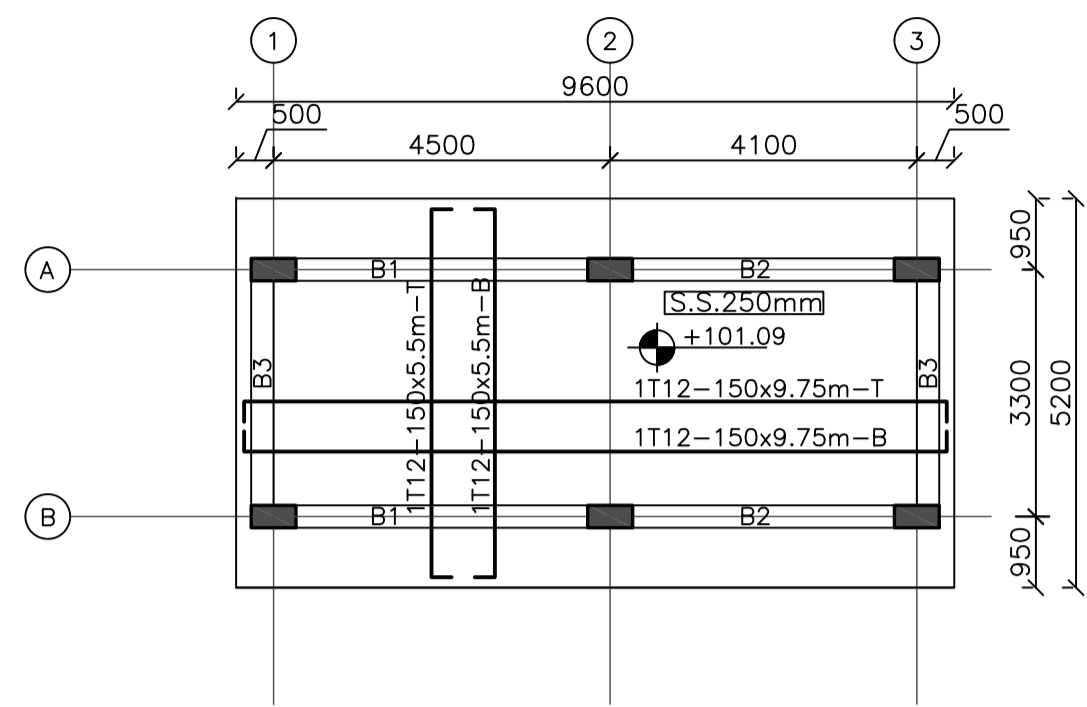
NOTES:



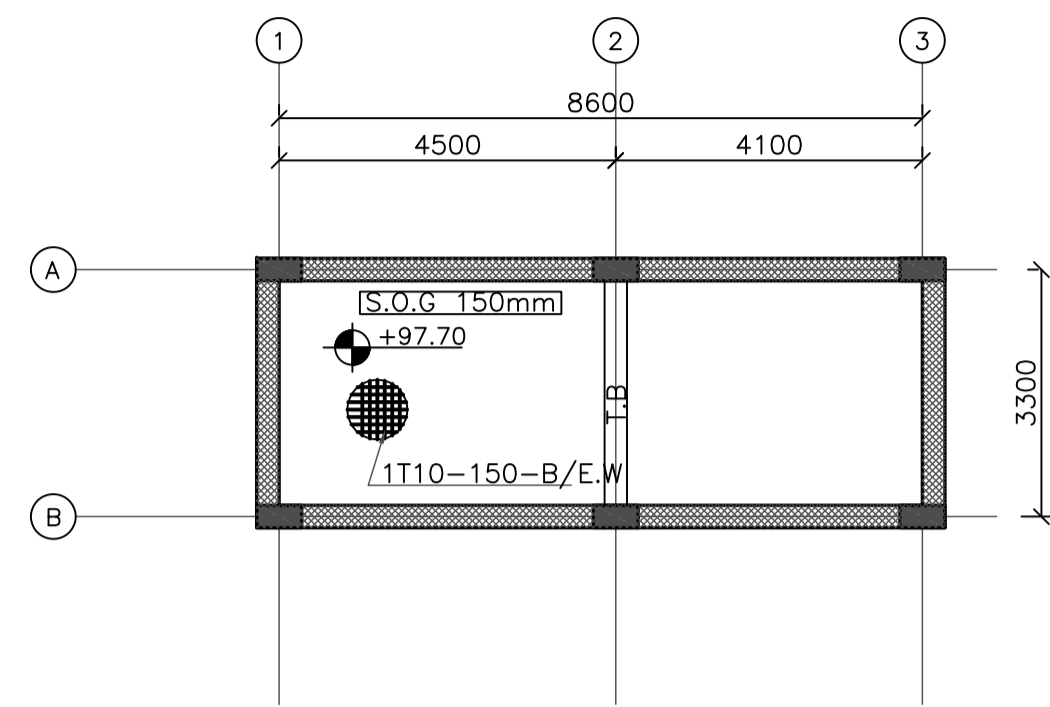
Jumana Bint Abi Taleb Basic Mixed School
(Amman- Marka)
SCHOOLS FOR A KNOWLEDGE ECONOMY
PROJECT (USAID SKEP)

DRAWING NAME: GUARD HOUSE STRUCTURAL DETAILS		
DESIGN: A.KH.	DRAWN: CAD	CHECKED: R.K
SCALE: AS SHOWN	DATE: MAY 2019	APPROVED: W.Z.
PLOT No: 1496	LOCATION: Marka	BASIN NO: 1 Hanao Al Kassar
DRAWING NUMBER: SKEP-18-SD-600		

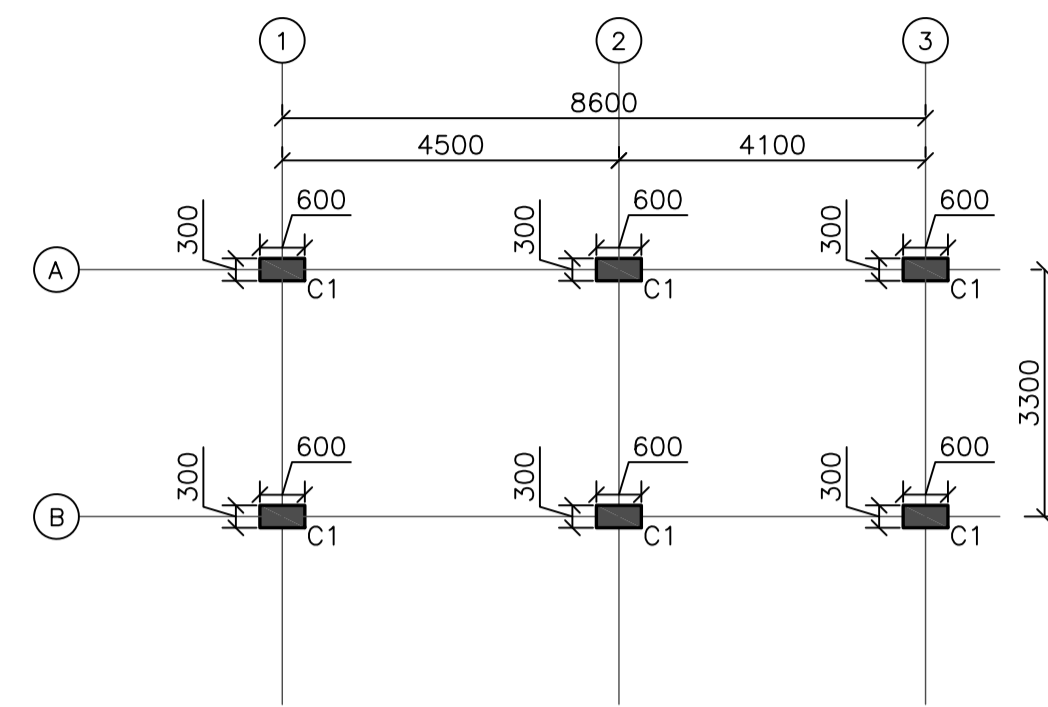
North:	Rev.:
	0



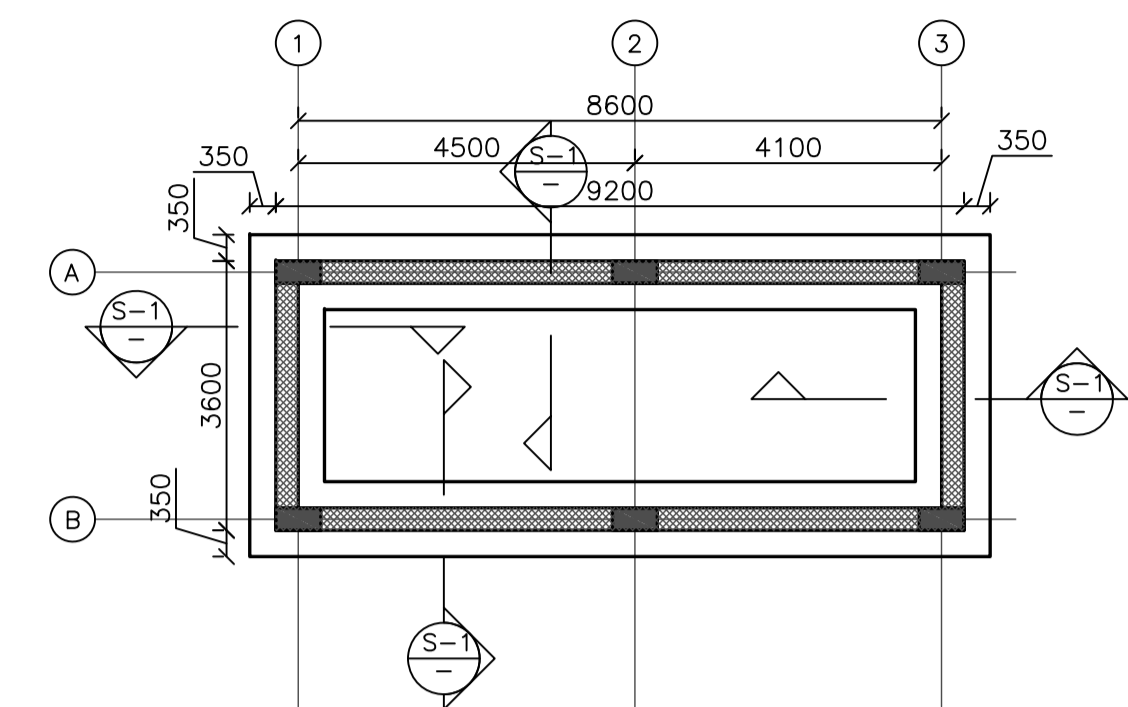
ROOF FLOOR FRAMING PLAN
1:100



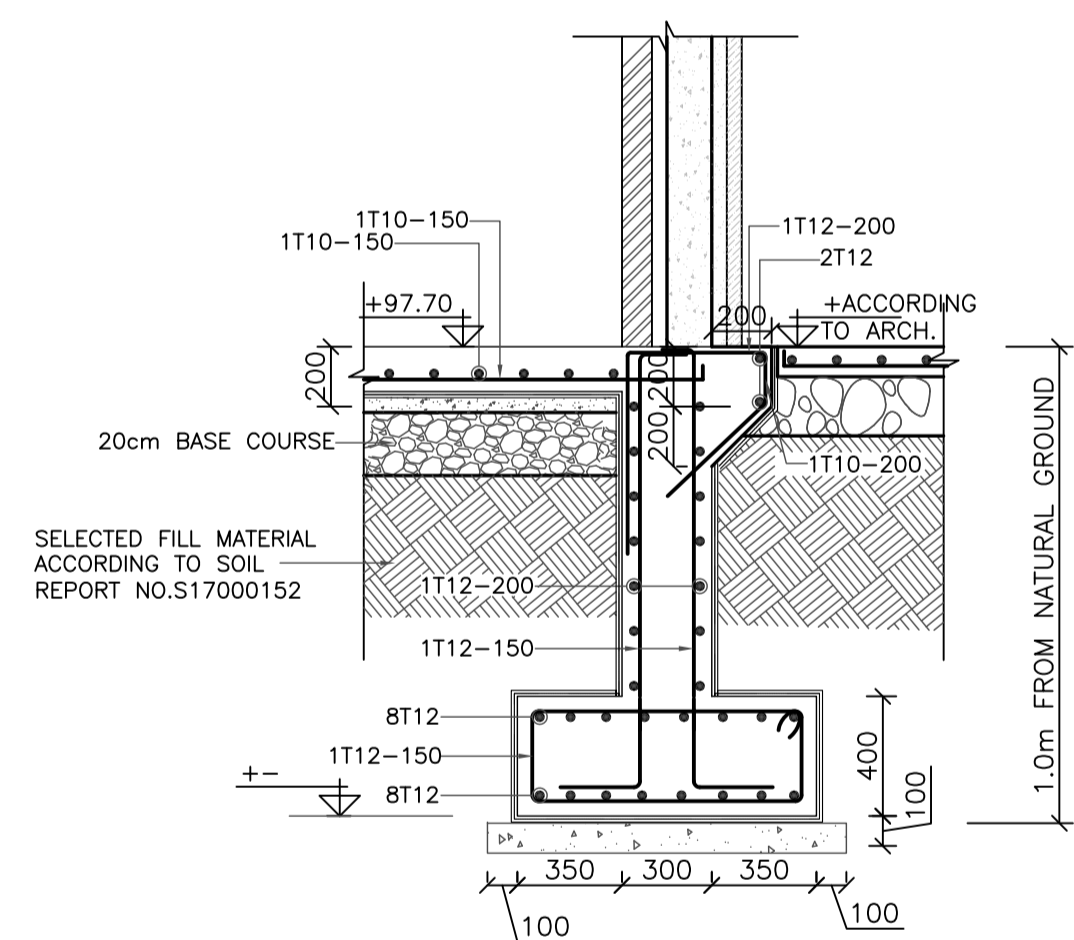
SLAB ON GRADE FRAMING PLAN
1:100



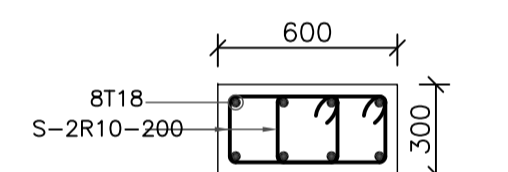
COLUMNS LAYOUT
1:100



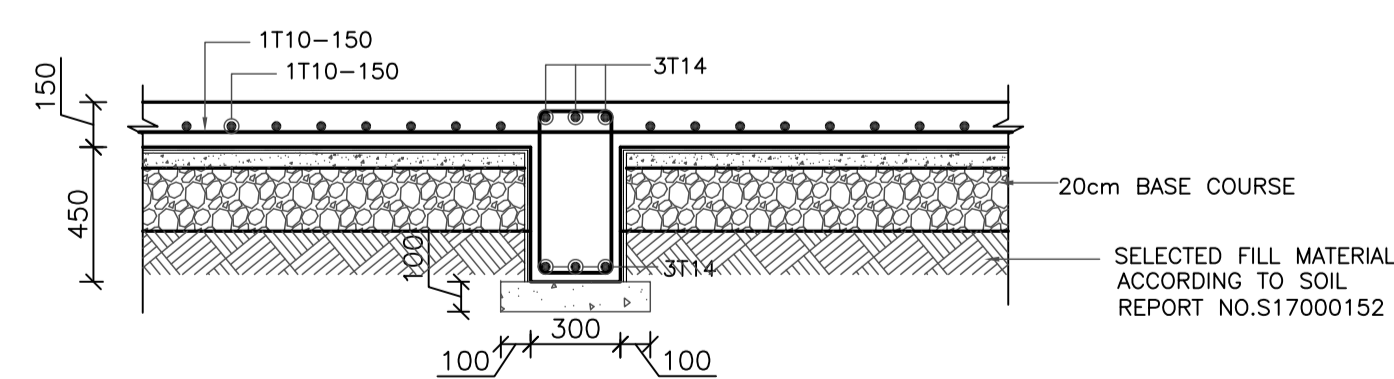
FOUNDATION PLAN
1:100



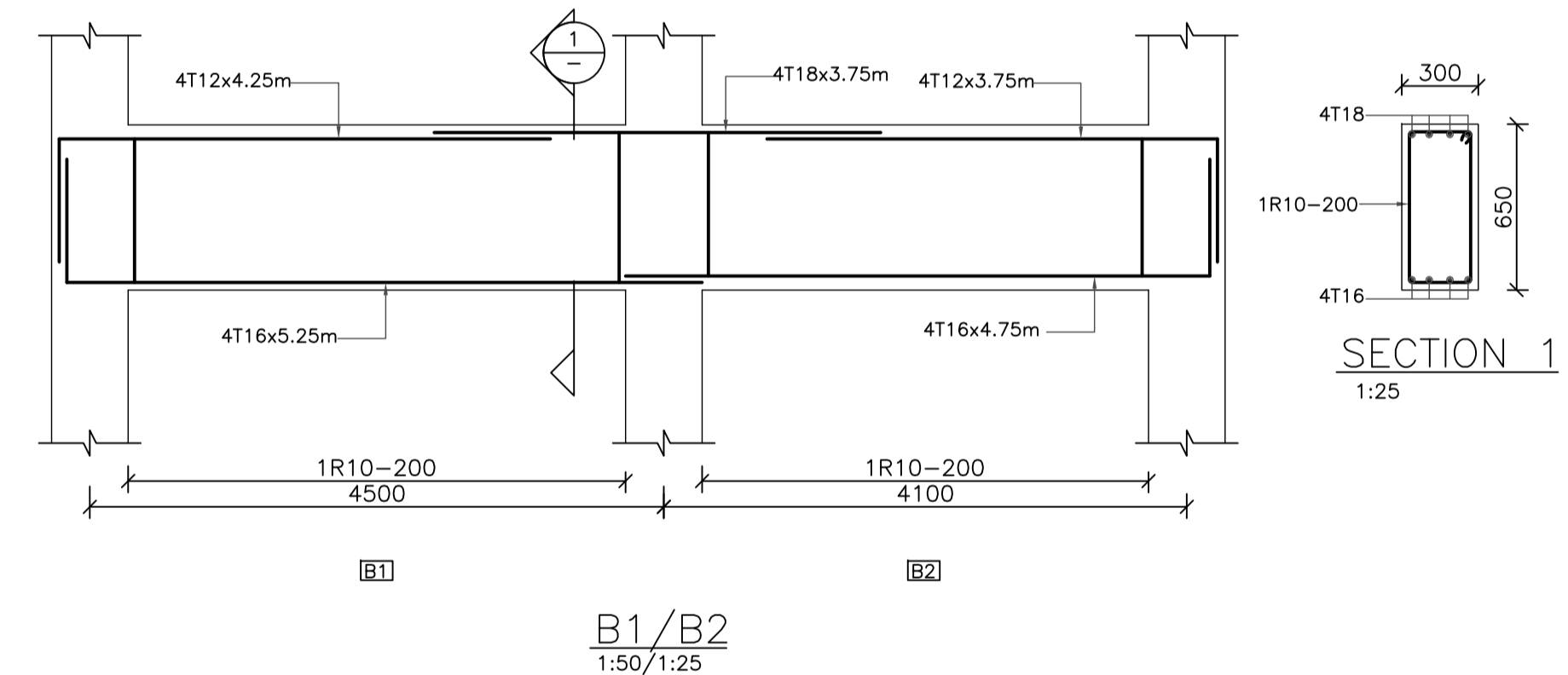
SECTION S-1
1:25



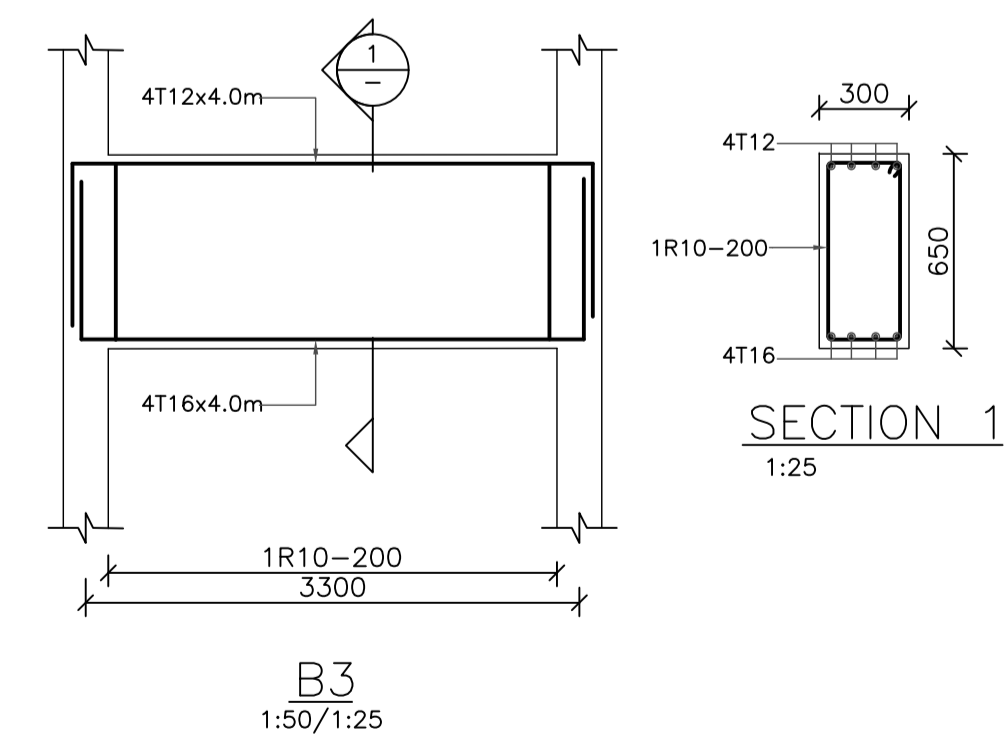
SECTION IN C1
1:25



TIE BEAM DETAIL
1:25



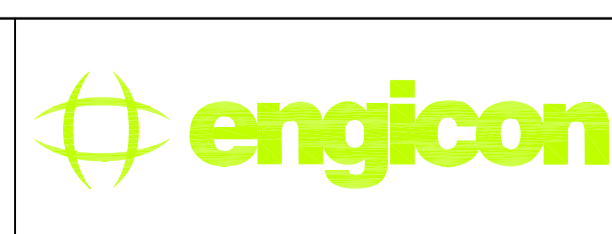
B1/B2
1:50/1:25



B3
1:50/1:25

REV.	DATE	REMARKS

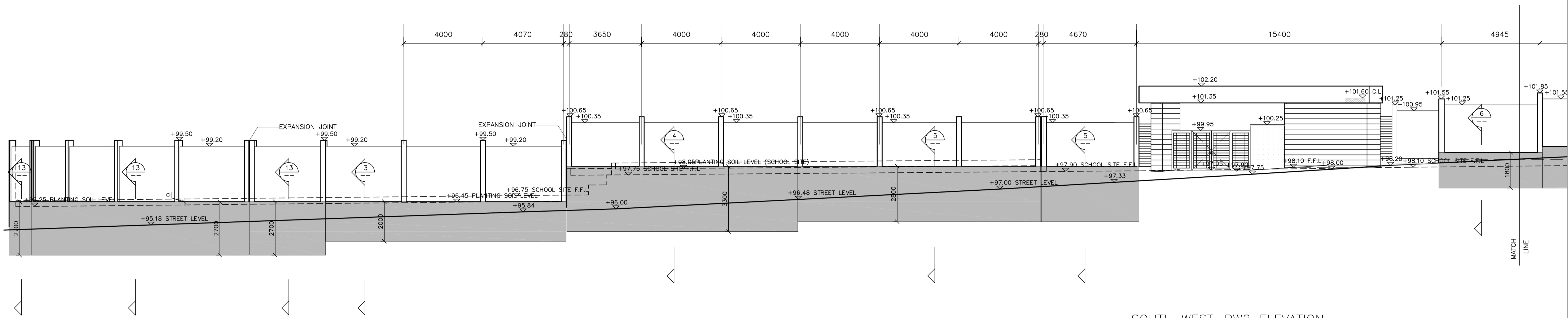
NOTES:



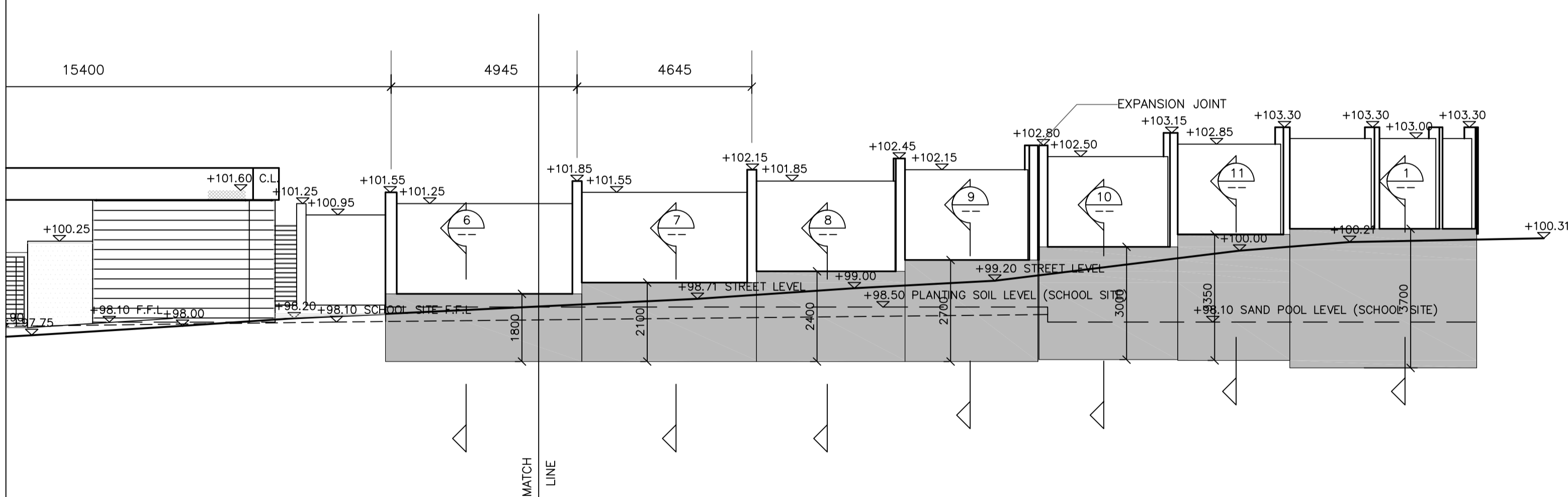
Jumana Bint Abi Taleb Basic Mixed School
(Amman- Marka)
SCHOOLS FOR A KNOWLEDGE ECONOMY
PROJECT (USAID SKEP)

DRAWING NAME: CANTEEN STRUCTURAL DETAILS		
DESIGN: A.KH.	DRAWN: CAD	CHECKED: R.K
SCALE: AS SHOWN	DATE: MAY 2019	APPROVED: W.Z.
PLOT No: 1496	LOCATION: Marka	BASIN NO: 1 Hanao Al Kassar
DRAWING NUMBER: SKEP-18-SD-602		

Rev.:	0
North:	



SOUTH WEST-BW2 ELEVATION
1:100



2 ELEVATION

REV.	DATE	REMARKS

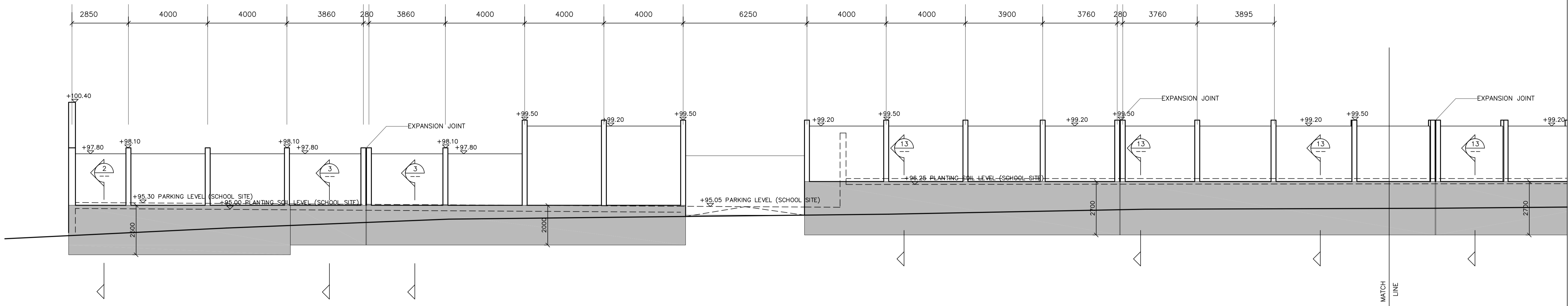
NOTES:



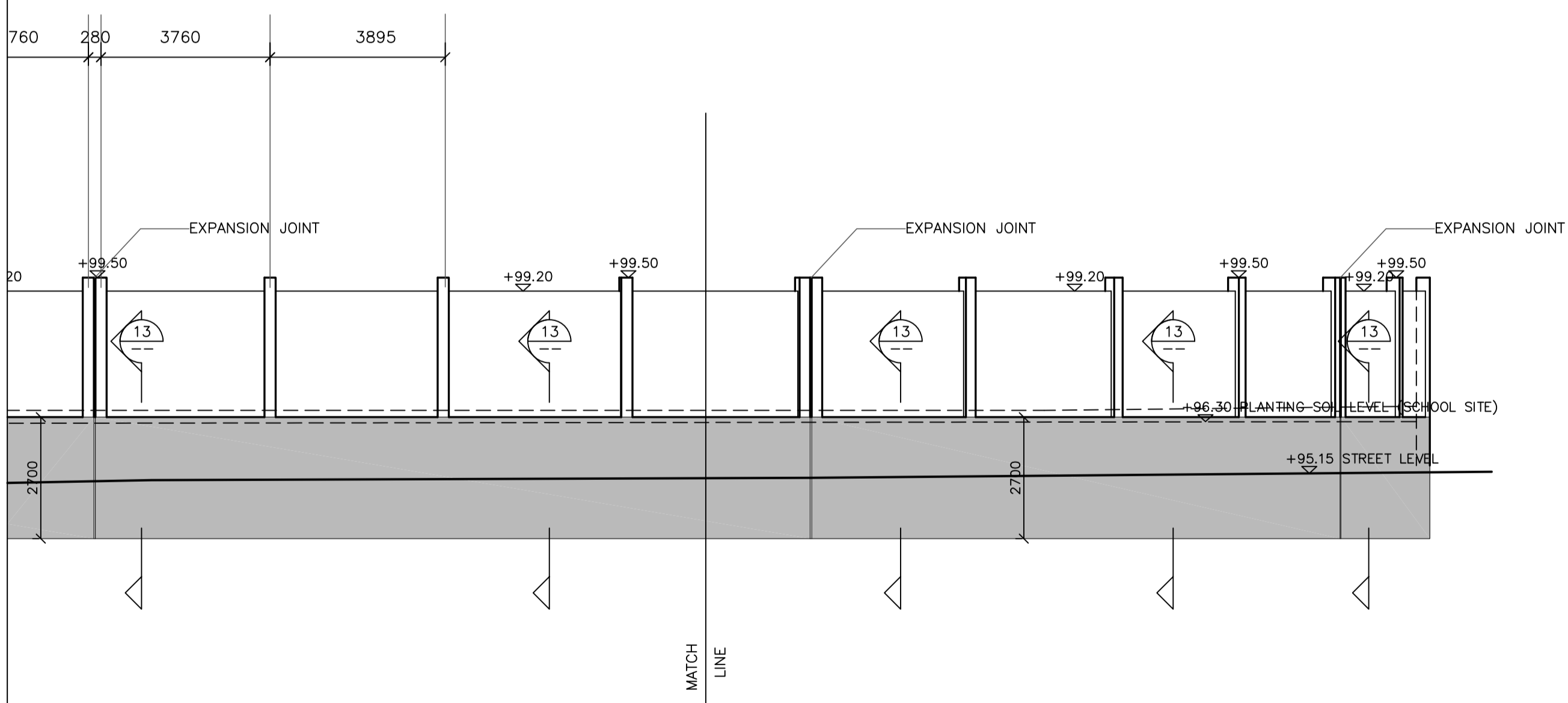
Jumana Bint Abi Taleb Basic Mixed School
(Amman- Marka)
SCHOOLS FOR A KNOWLEDGE ECONOMY
PROJECT (USAID SKEP)

DESIGN NAME:	BOUNDARY WALLS STRUCTURAL ELEVATIONS-2-		
DESIGN:	A.KH.	DRAWN:	CAD
SCALE:	1:100	DATE:	MAY 2019
APPROVED:	W.Z.	DRAWING NUMBER:	SKEP-18-SD-604
REV.:	0		

DESIGN:	A.KH.	DRAWN:	CAD	CHECKED:	R.K	NORTH:	
SCALE:	1:100	DATE:	MAY 2019	APPROVED:	W.Z.	REV.:	



SOUTH EAST-BW3 ELEVATION
1:100



REV.	DATE	REMARKS

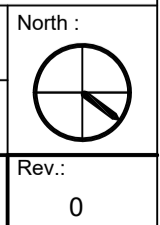
NOTES:

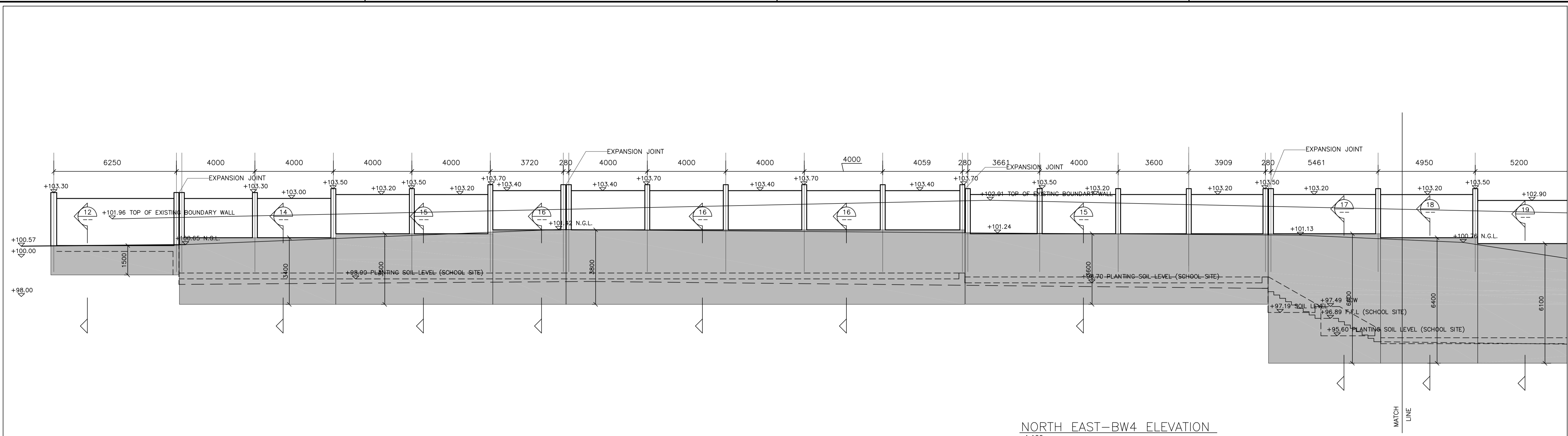


Jumana Bint Abi Taleb Basic Mixed School
(Amman- Marka)
SCHOOLS FOR A KNOWLEDGE ECONOMY
PROJECT (USAID SKEP)

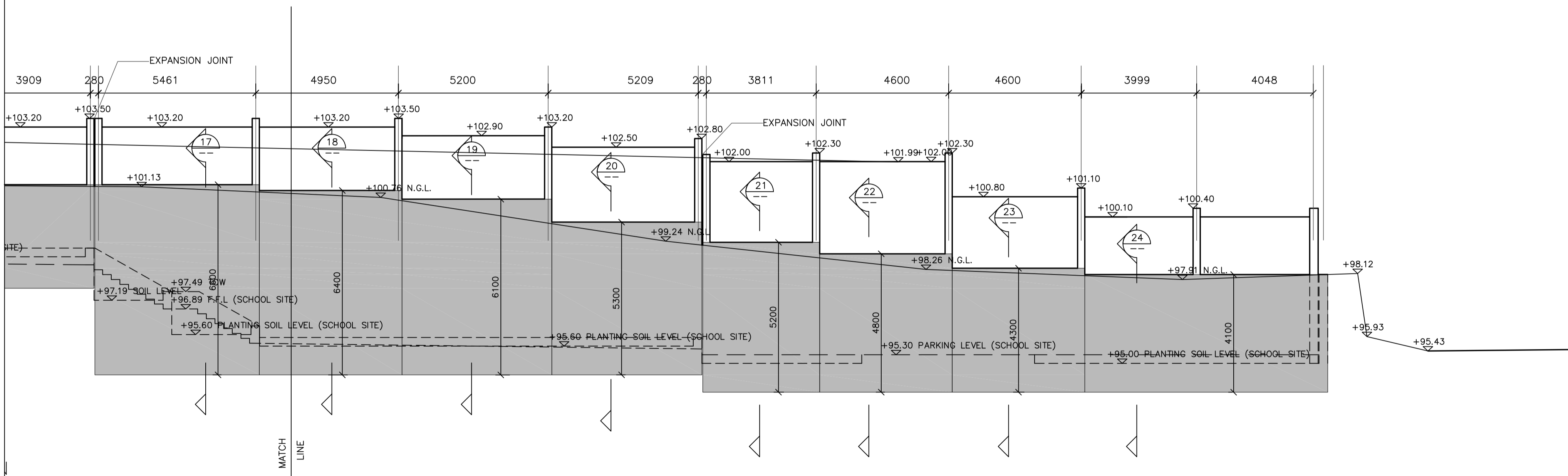
DRAWING NAME: BOUNDARY WALLS STRUCTURAL ELEVATIONS-3-		
DESIGN: A.KH.	DRAWN: CAD	CHECKED: R.K
SCALE: 1:100	DATE: MAY 2019	APPROVED: W.Z.
PLOT NO: 1496	LOCATION: Marka	BASIN NO: 1 Hanao Al Kassar

DRAWING NUMBER: SKEP-18-SD-605		Rev.: 0
-----------------------------------	--	------------





NORTH EAST-BW4 ELEVATION
1:100



REV.	DATE	REMARKS

NOTES:

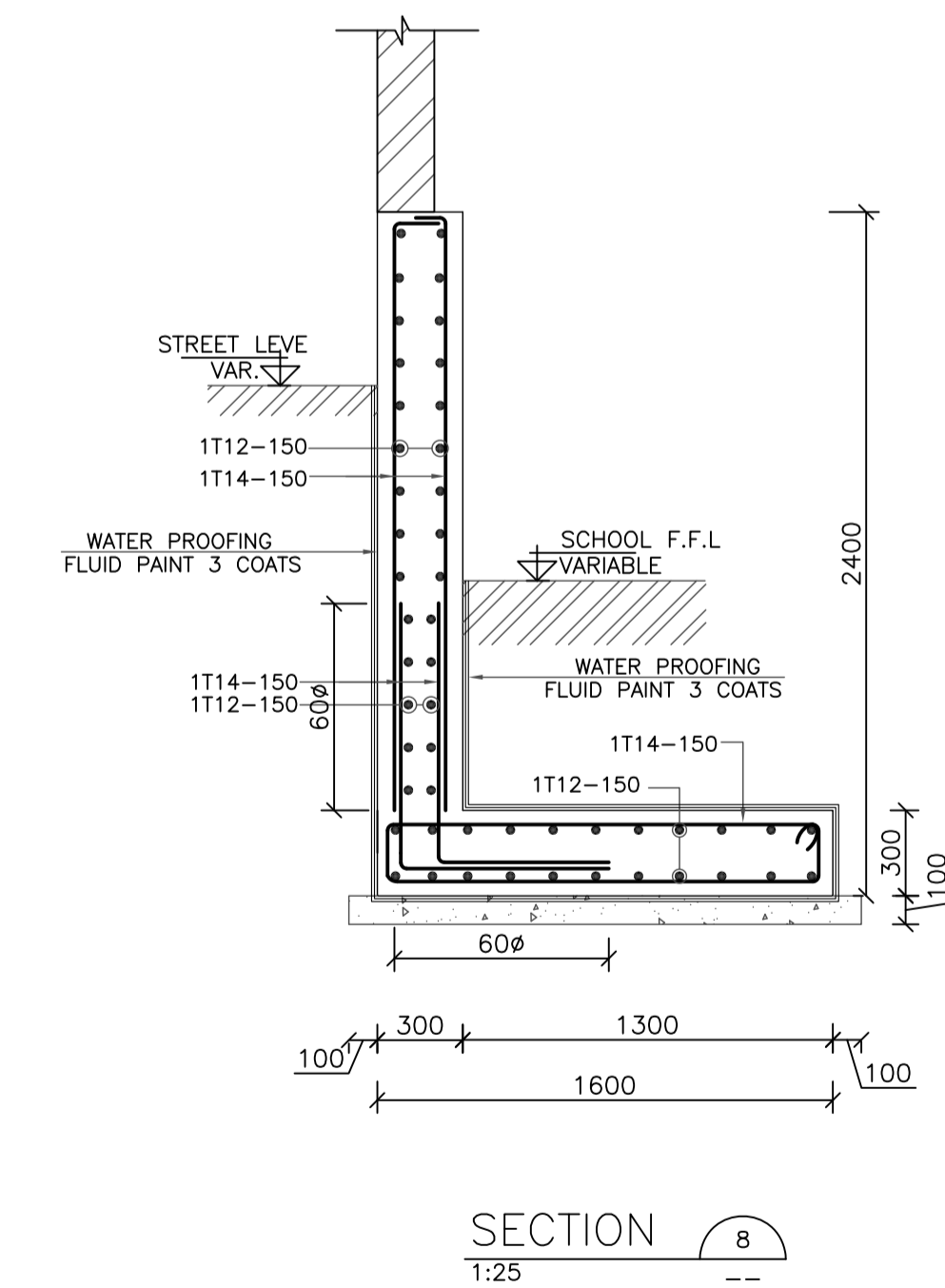
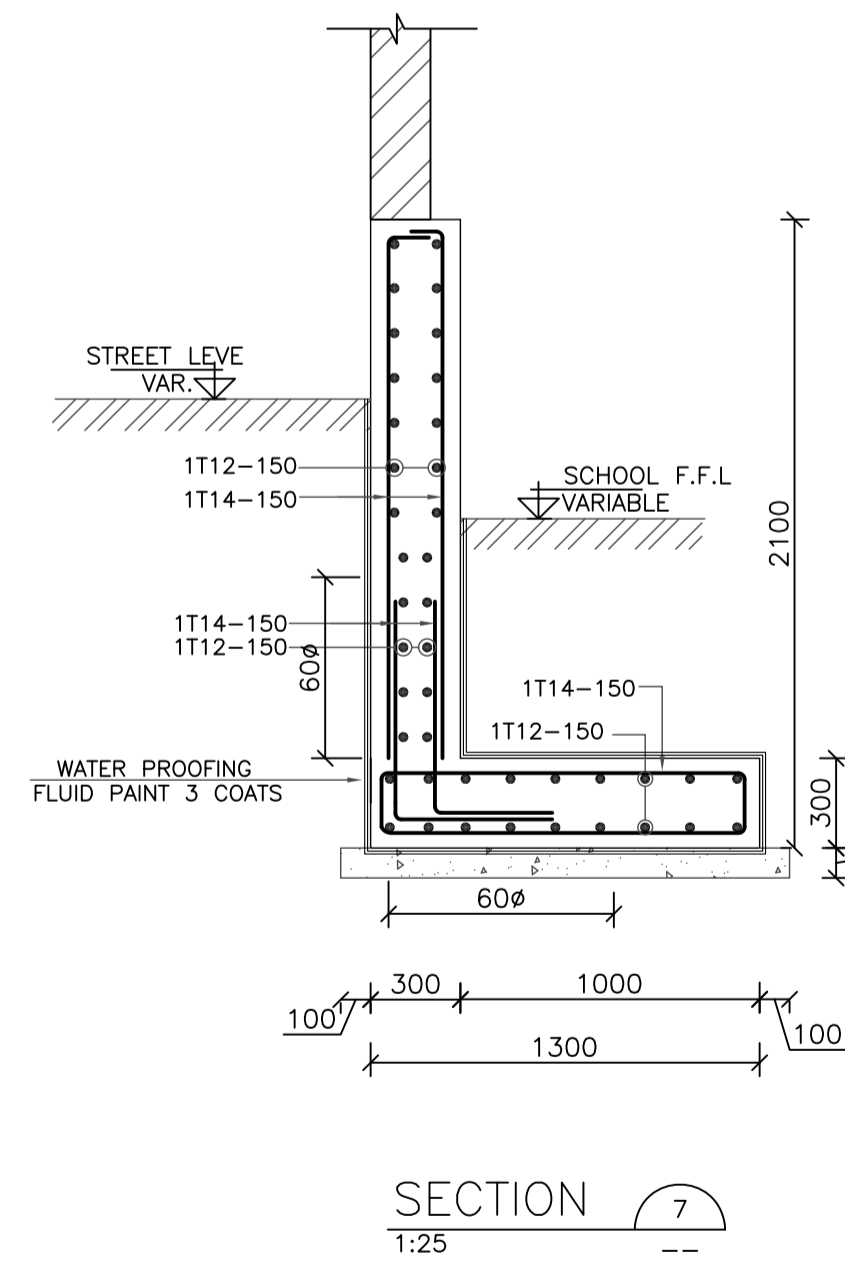
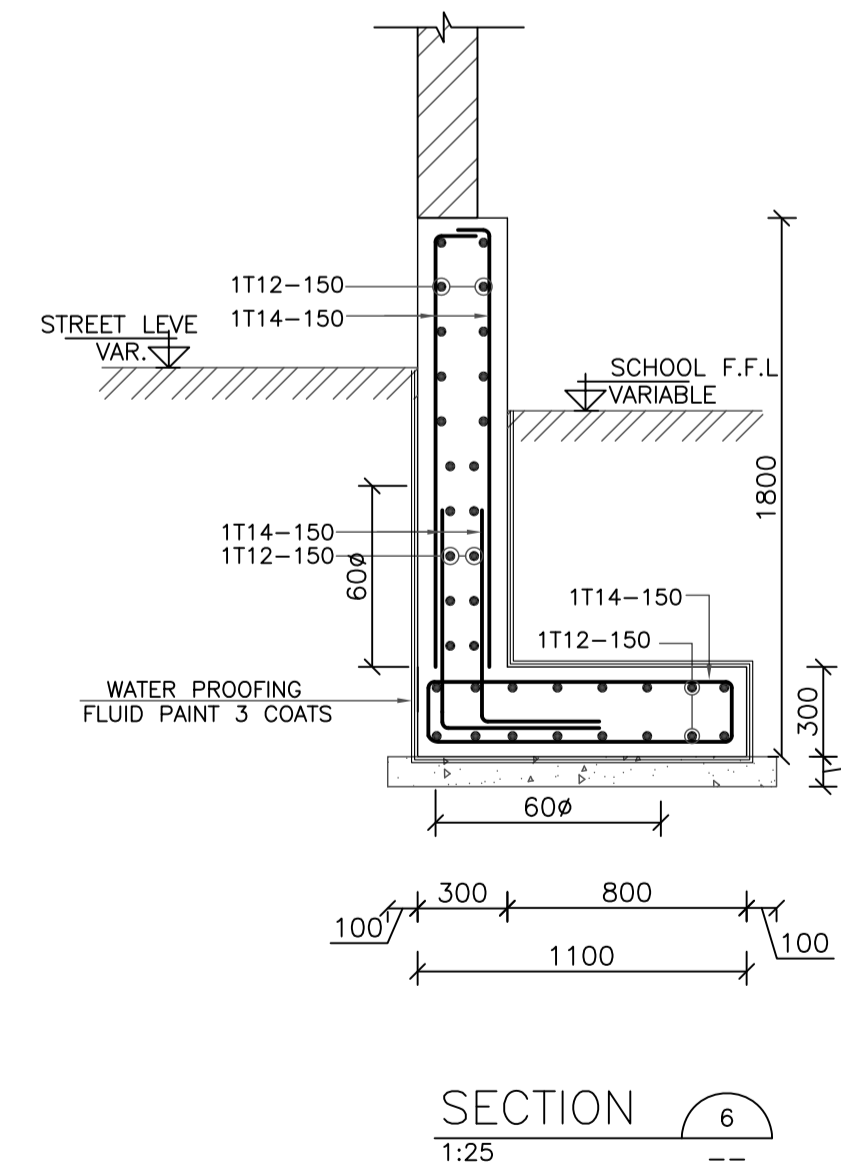
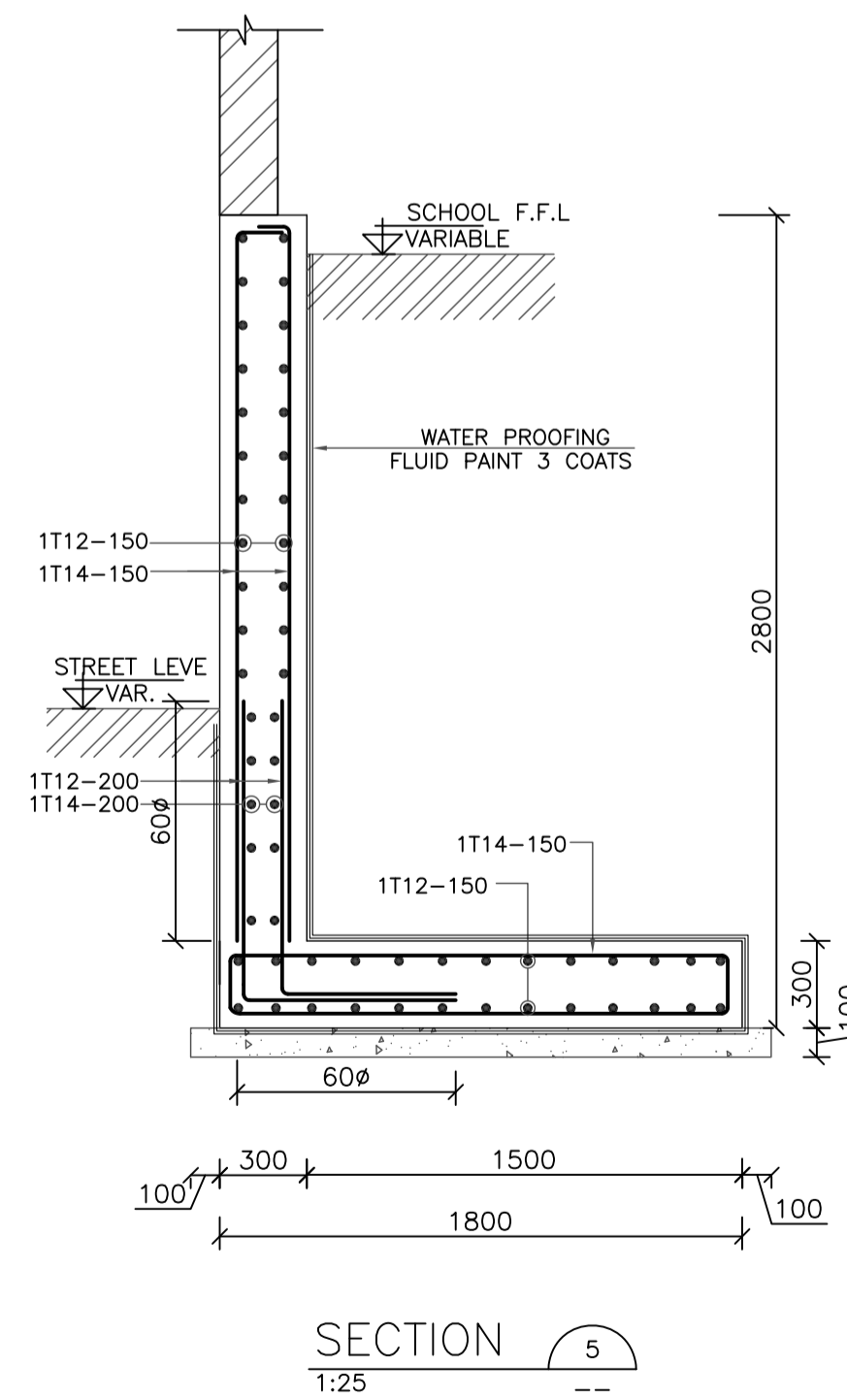
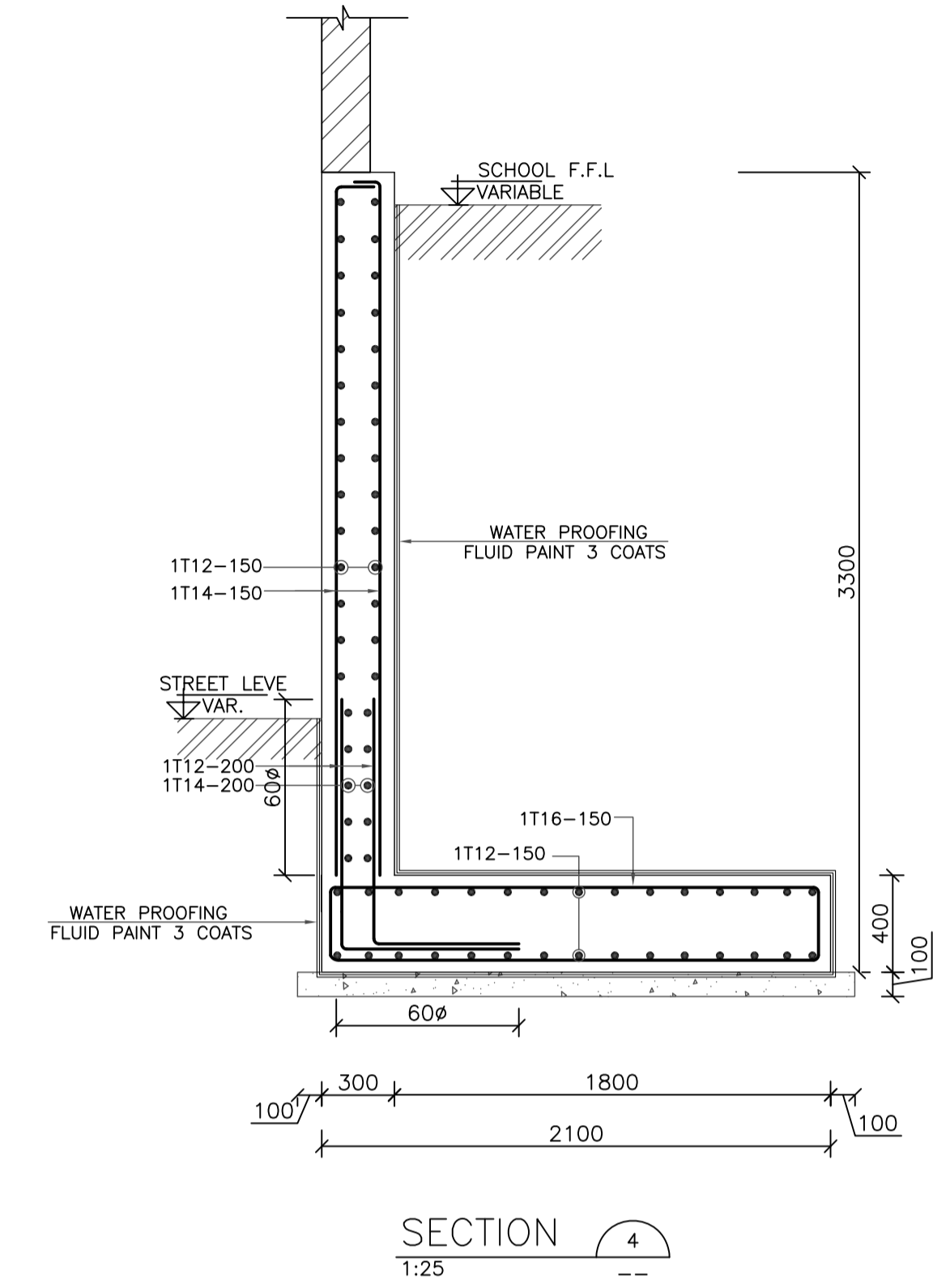
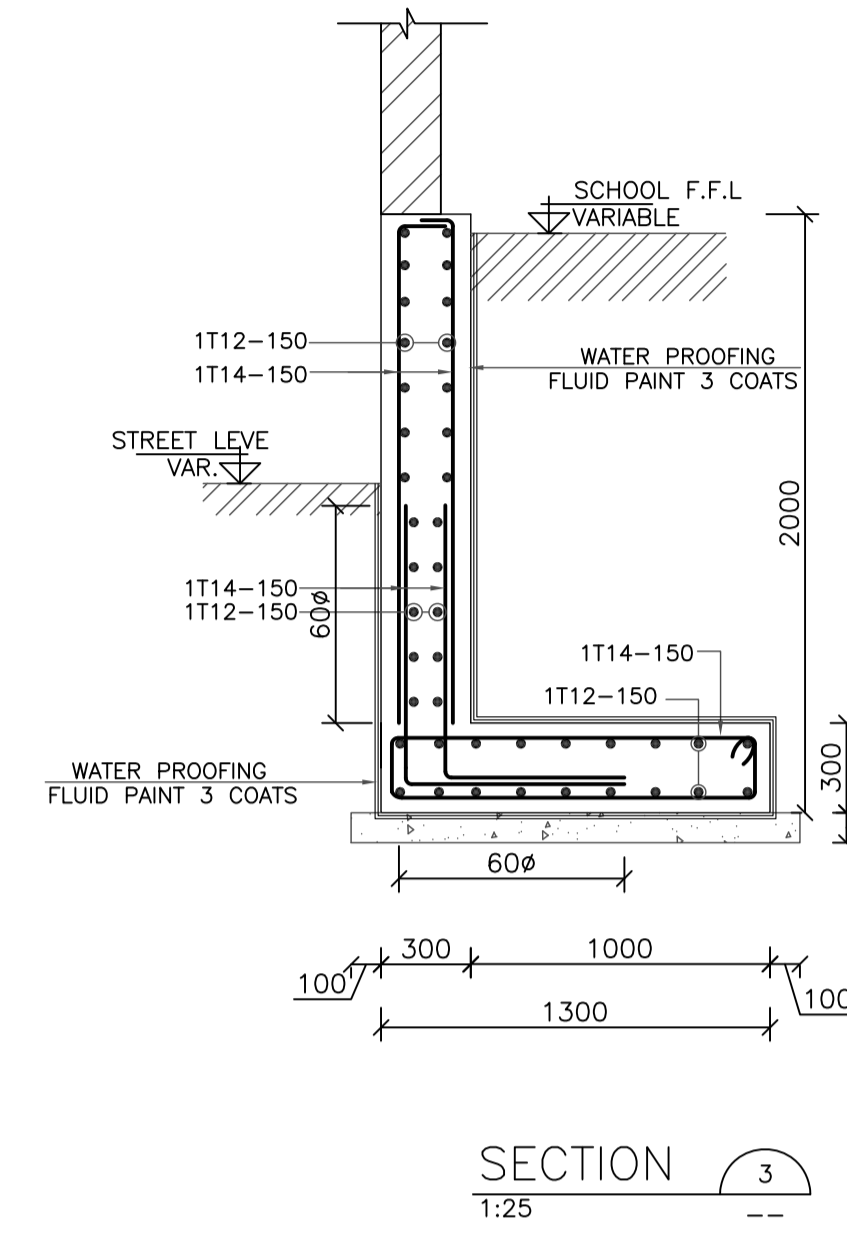
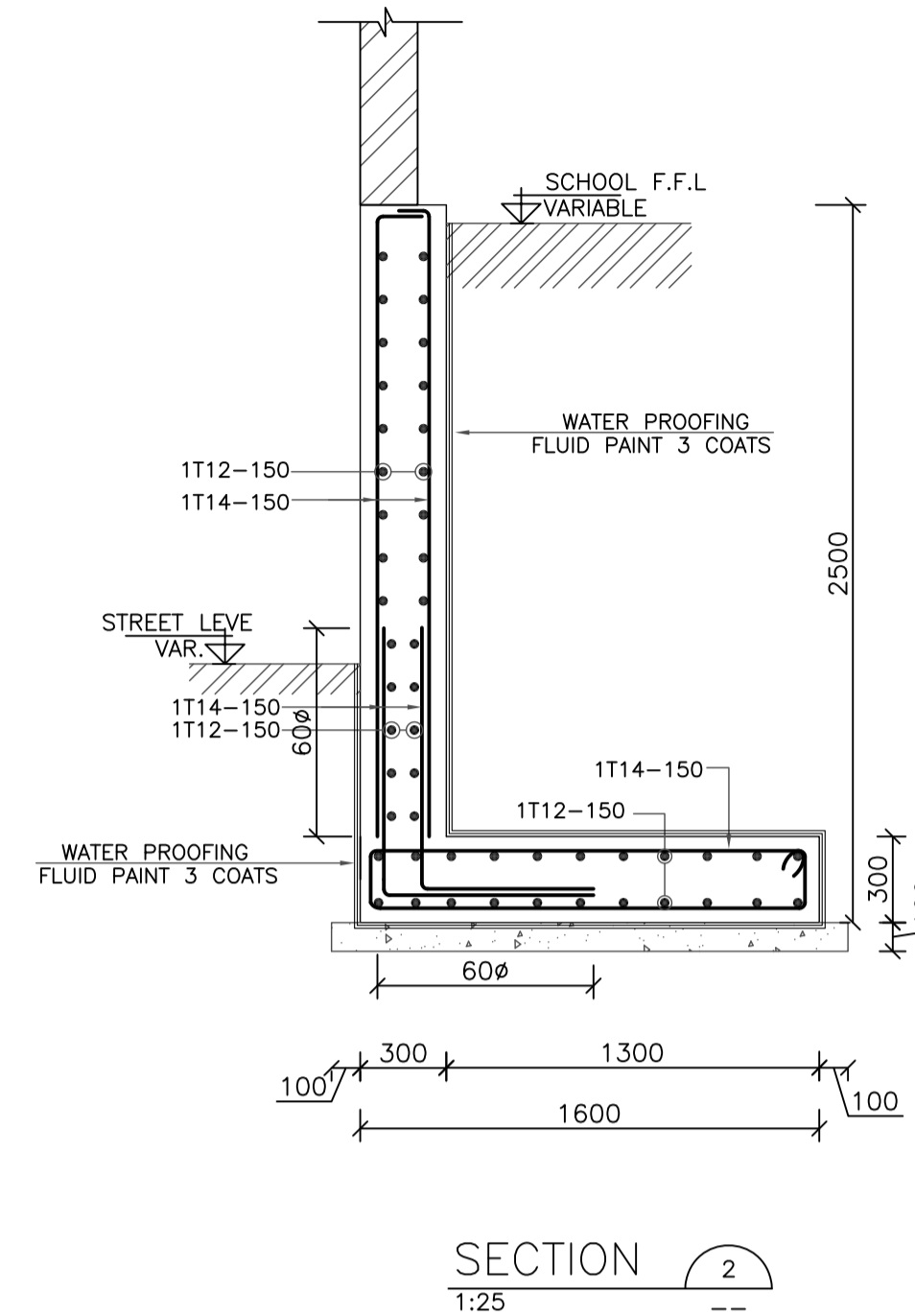
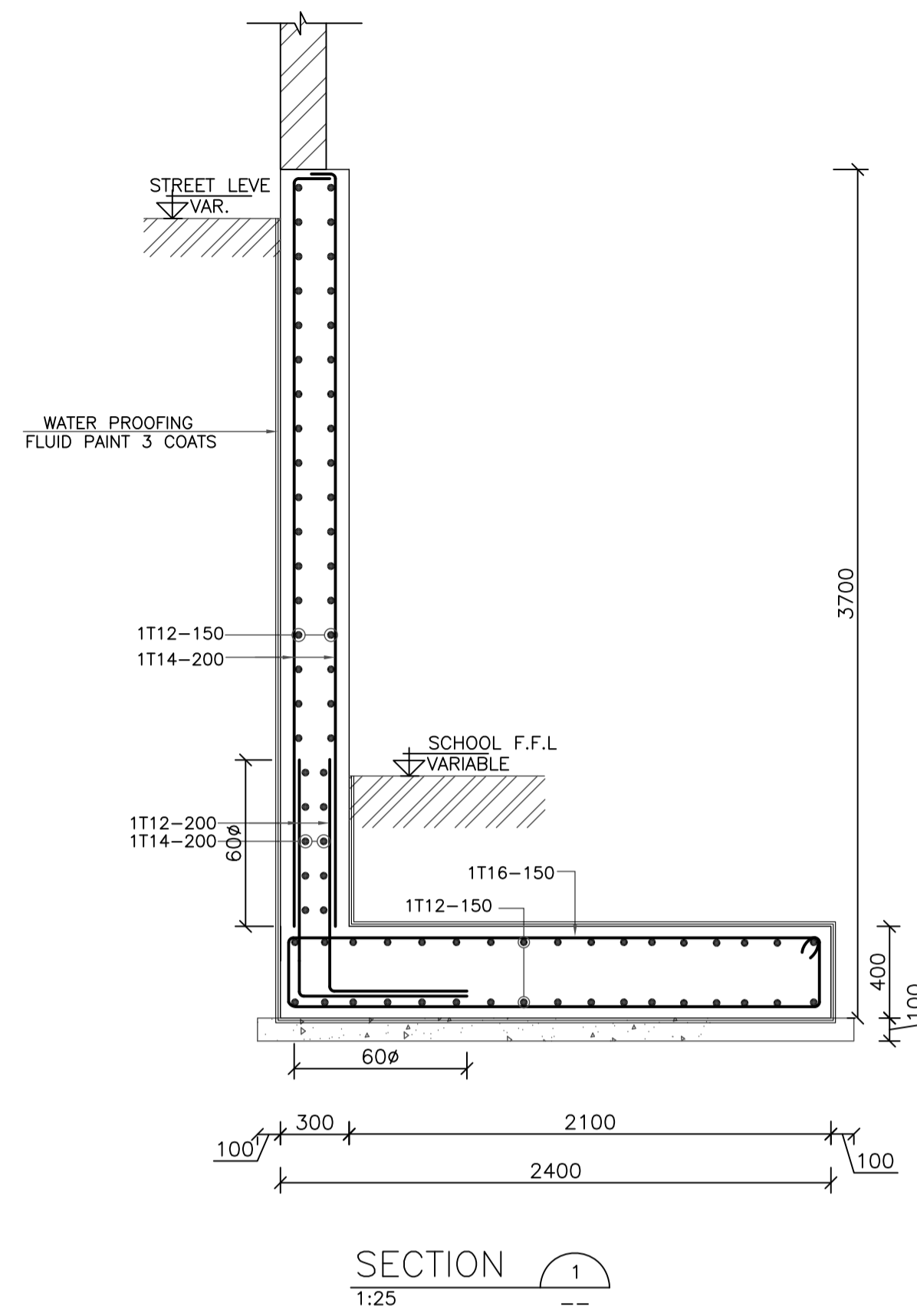


Jumana Bint Abi Taleb Basic Mixed School
(Amman- Marka)
SCHOOLS FOR A KNOWLEDGE ECONOMY
PROJECT (USAID SKEP)

DESIGN NAME:	BOUNDARY WALLS STRUCTURAL ELEVATIONS-4-		
DESIGN:	A.KH.	DRAWN:	CAD
SCALE:	1:100	DATE:	MAY 2019
APPROVED:	W.Z.	DRAWING NUMBER:	SKEP-18-SD-606
REV.:	0	LOCATION:	Marka
		BASIN NO:	1 Hanao Al Kassar

Checked:	R.K	North:	
Approved:	W.Z.	Rev.:	

NOTE: FOR WEeping HOLES DETAILS REFER TO DRAWING SG-001



REV.	DATE	REMARKS

NOTES:



THE HASHEMITE KINGDOM OF JORDAN
MINISTRY OF EDUCATION

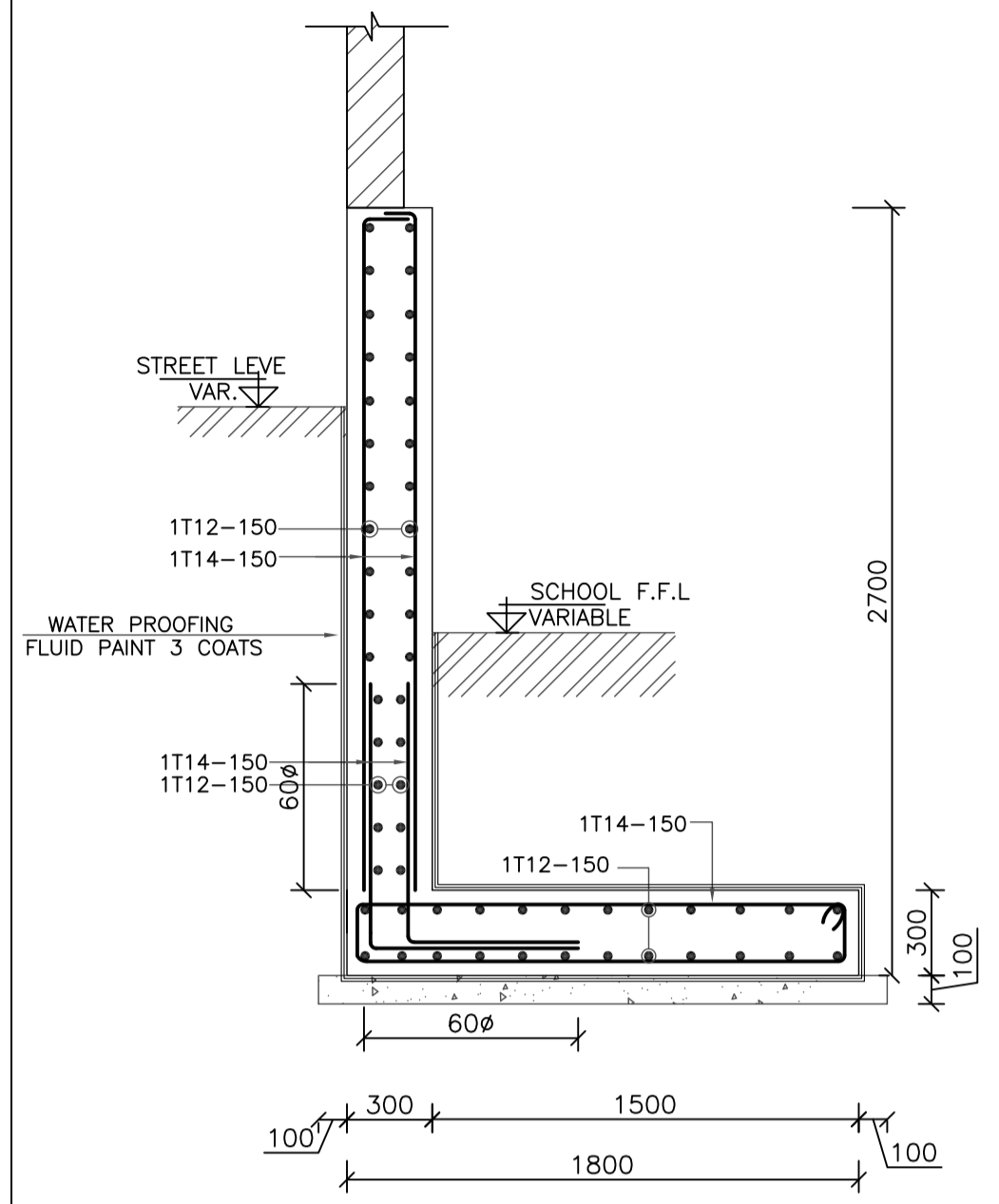


Jumana Bint Abi Taleb Basic Mixed School (Amman- Marka)
SCHOOLS FOR A KNOWLEDGE ECONOMY PROJECT (USAID SKEP)

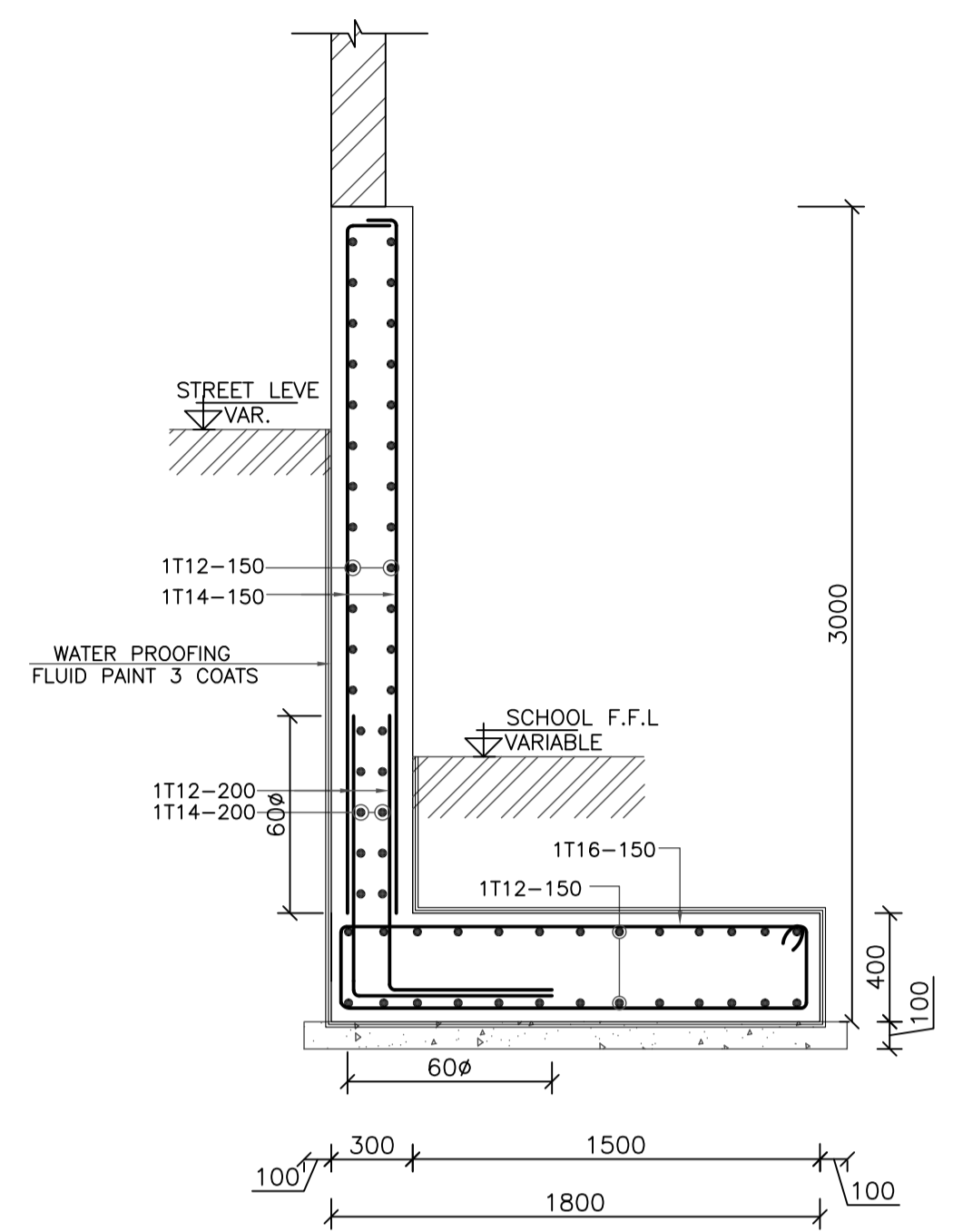
DRAWING NAME: BOUNDARY WALLS SECTIONS -1-		
DESIGN: A.KH.	DRAWN: CAD	CHECKED: R.K
SCALE: 1:25	DATE: MAY 2019	APPROVED: W.Z.
DRAWING NUMBER: SKEP-18-SD-607		

PLOT No: 1496	LOCATION: Marka	BASIN NO: 1 Hanao Al Kassar	Rev.: 0
---------------	-----------------	-----------------------------	---------

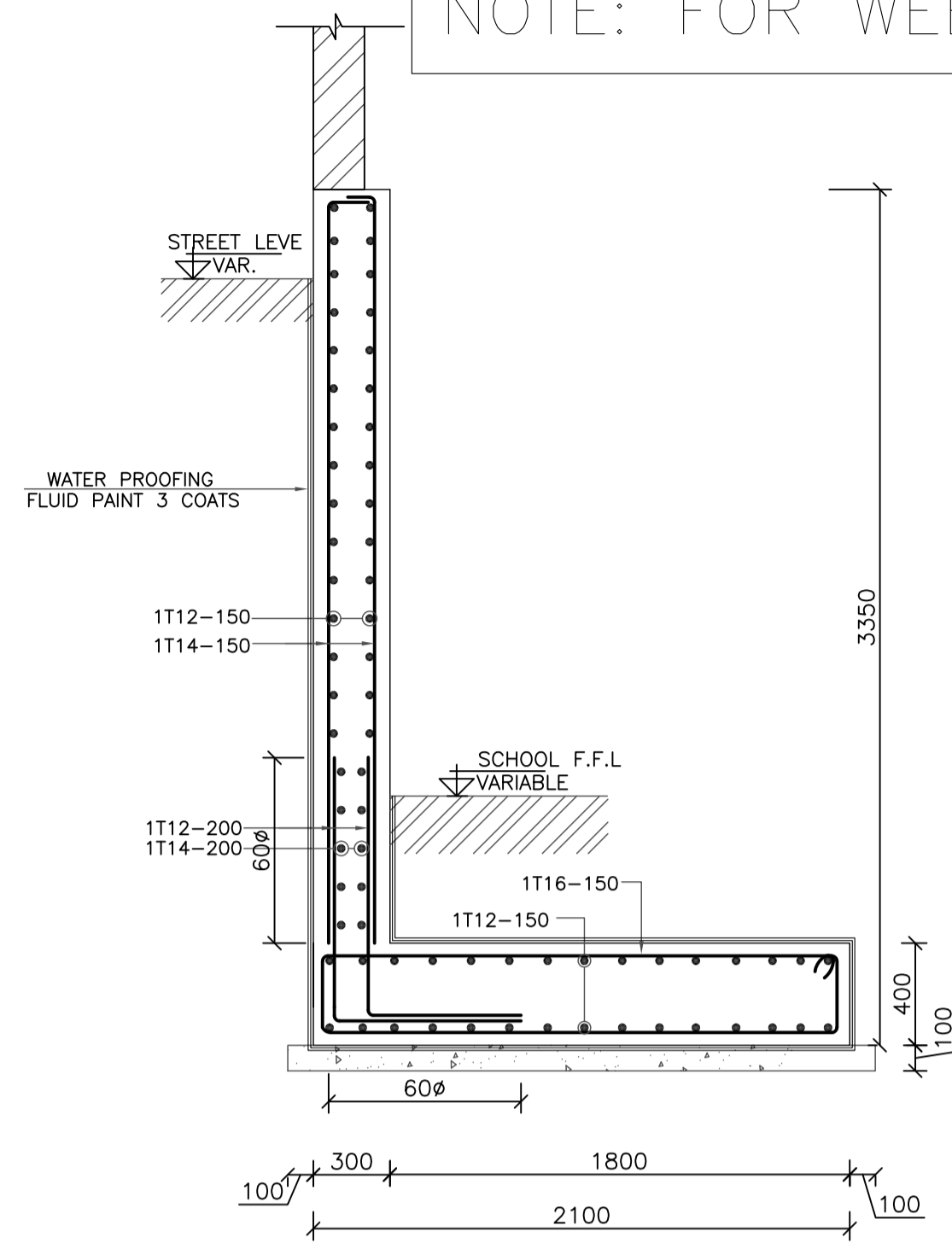
NOTE: FOR WEeping HOLES DETAILS REFER TO DRAWING SG-001



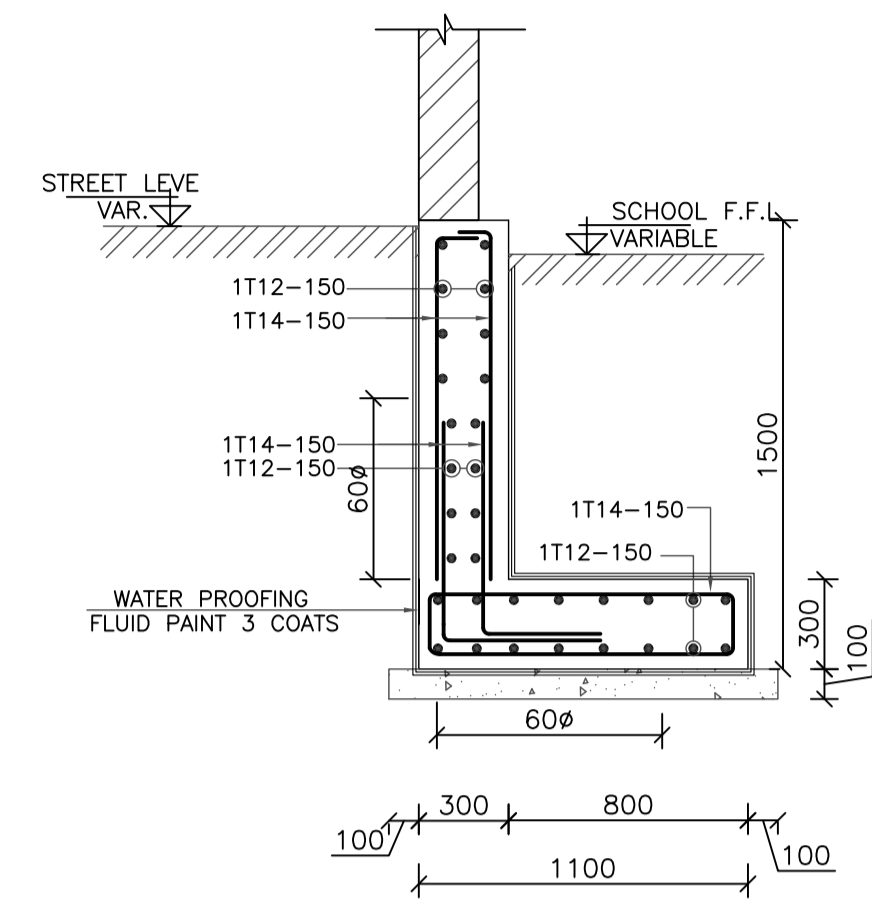
SECTION 9
1:25



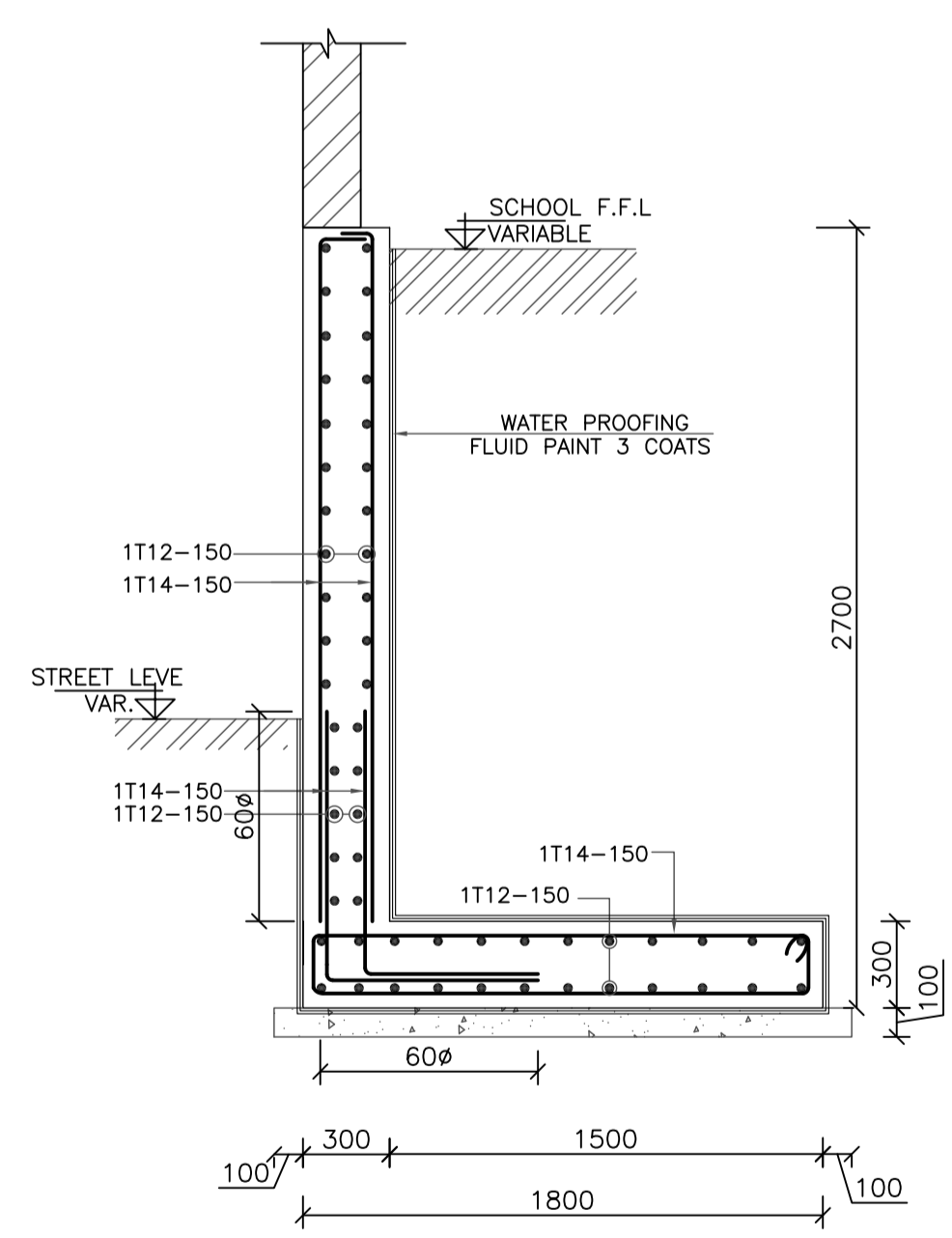
SECTION 10
1:25



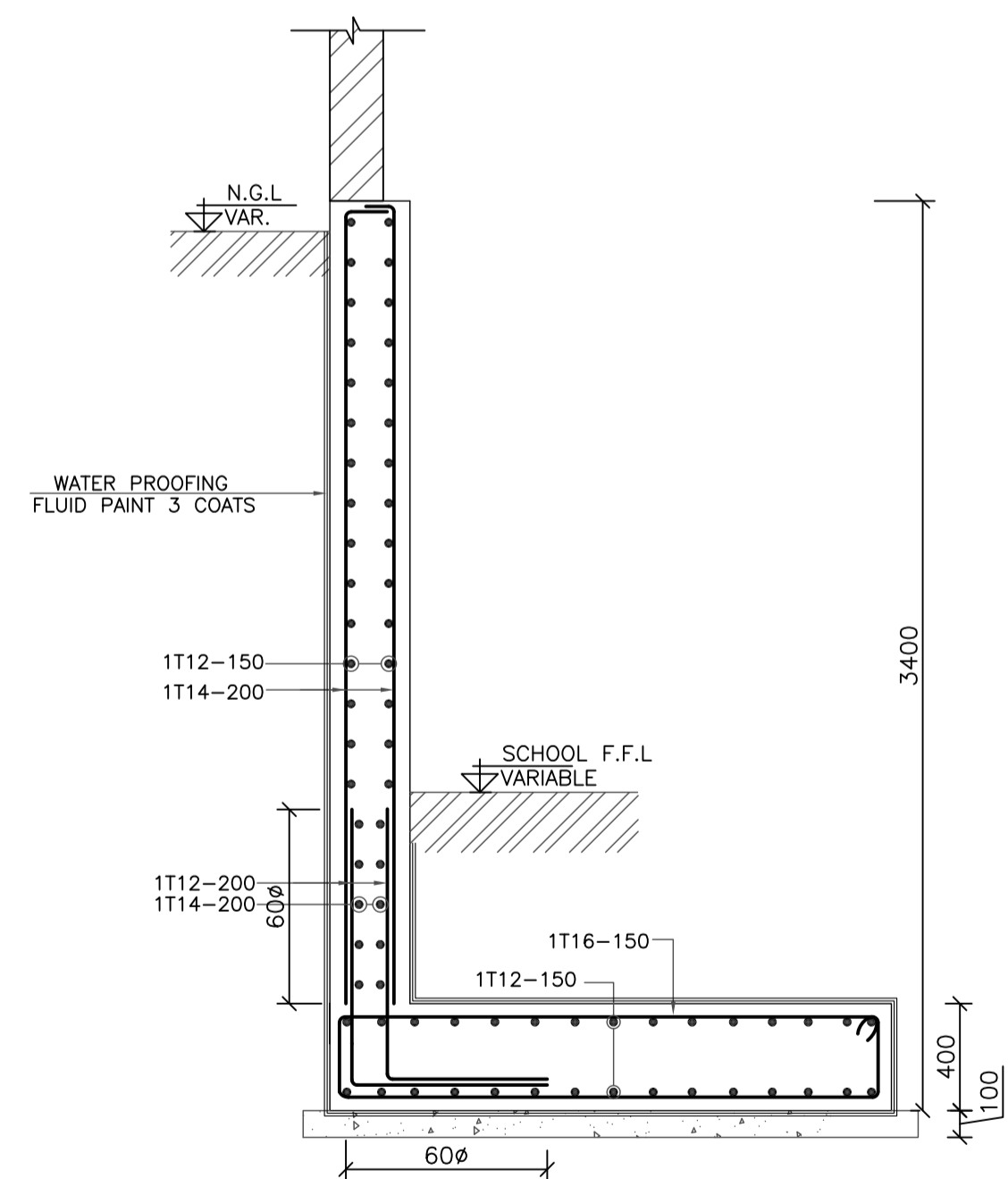
SECTION 11
1:25



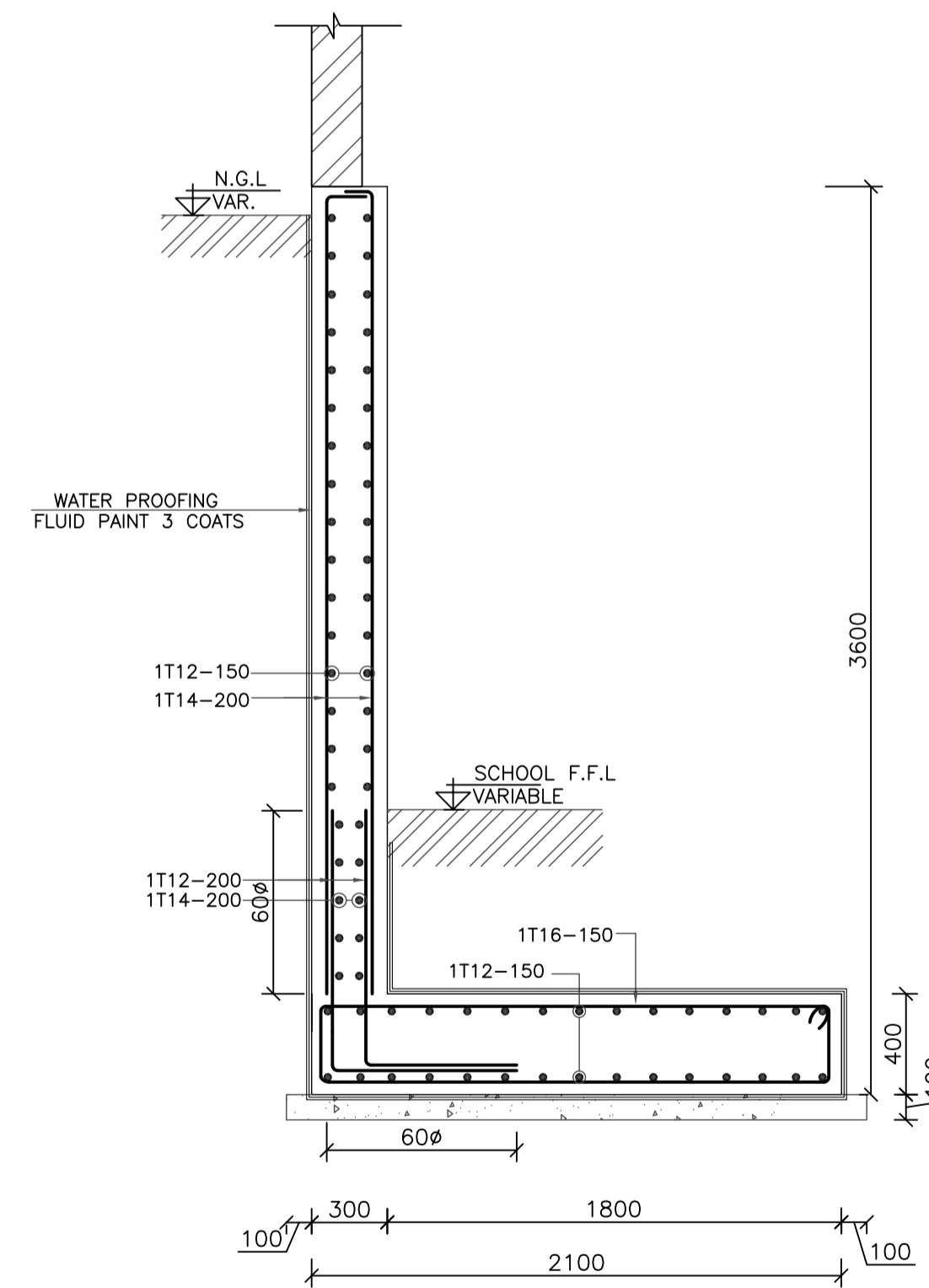
SECTION 12
1:25



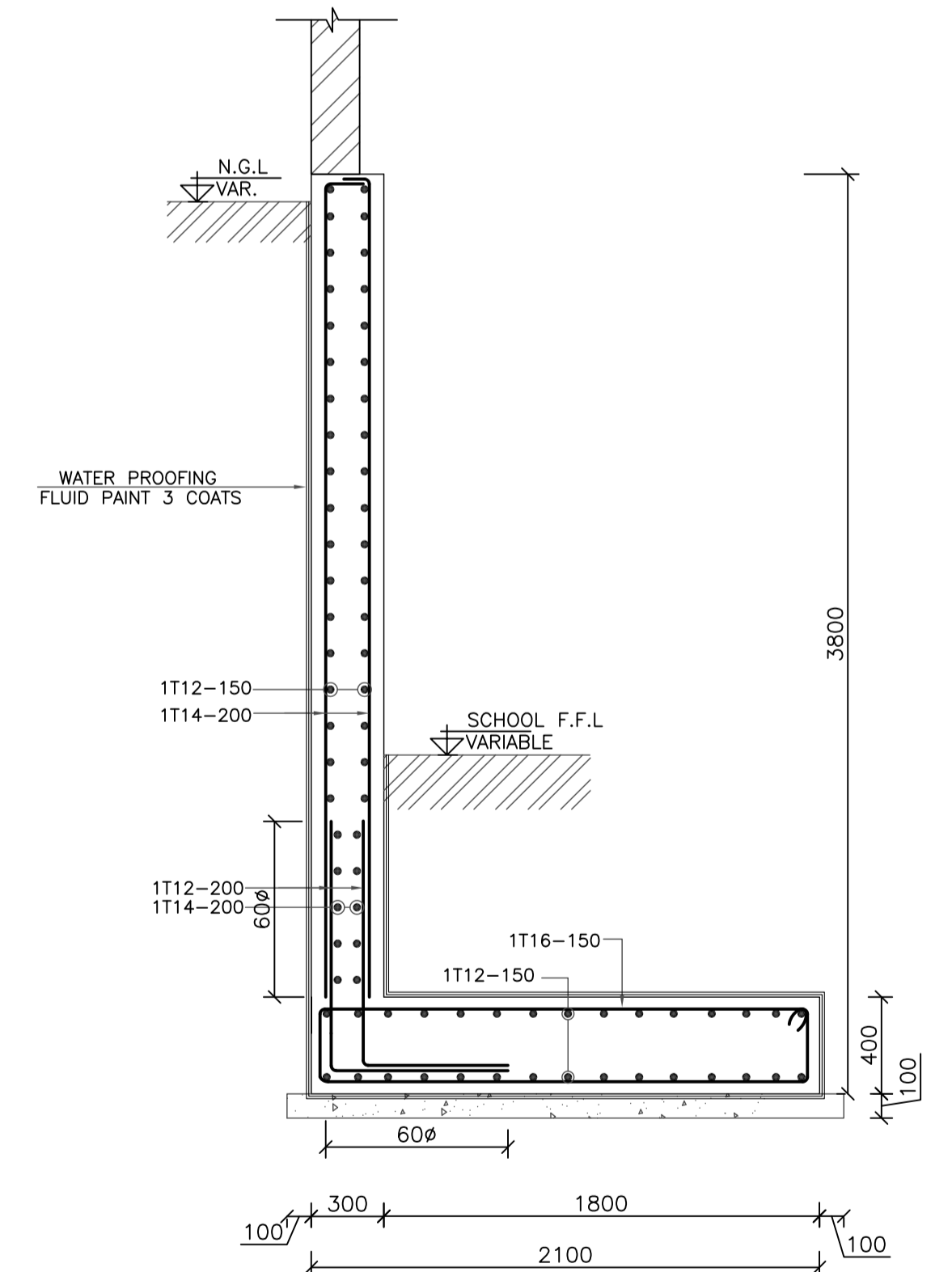
SECTION 13
1:25



SECTION 14
1:25



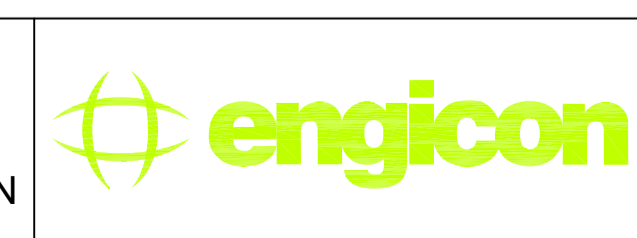
SECTION 15
1:25



SECTION 16
1:25

REV.	DATE	REMARKS

NOTES:

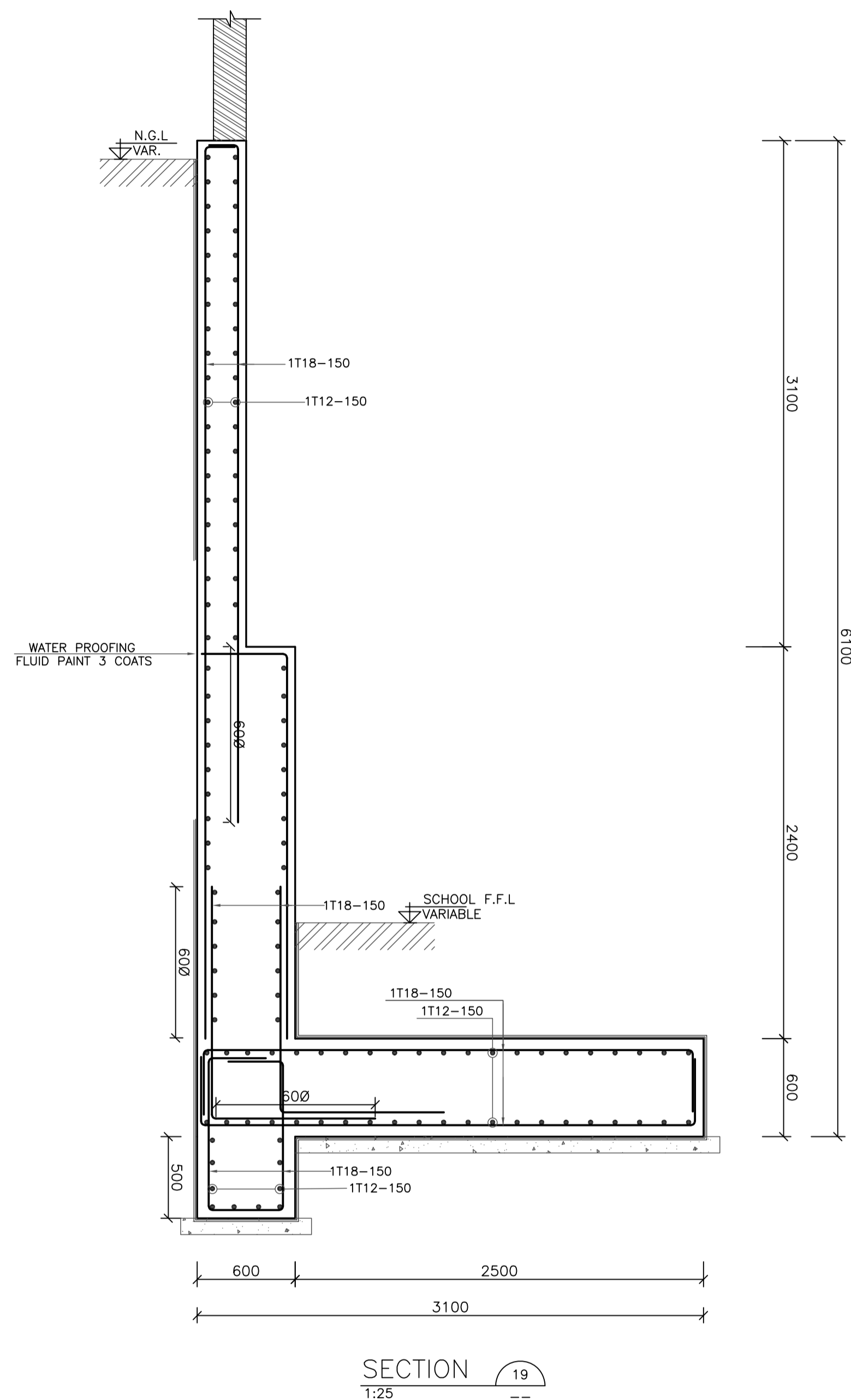
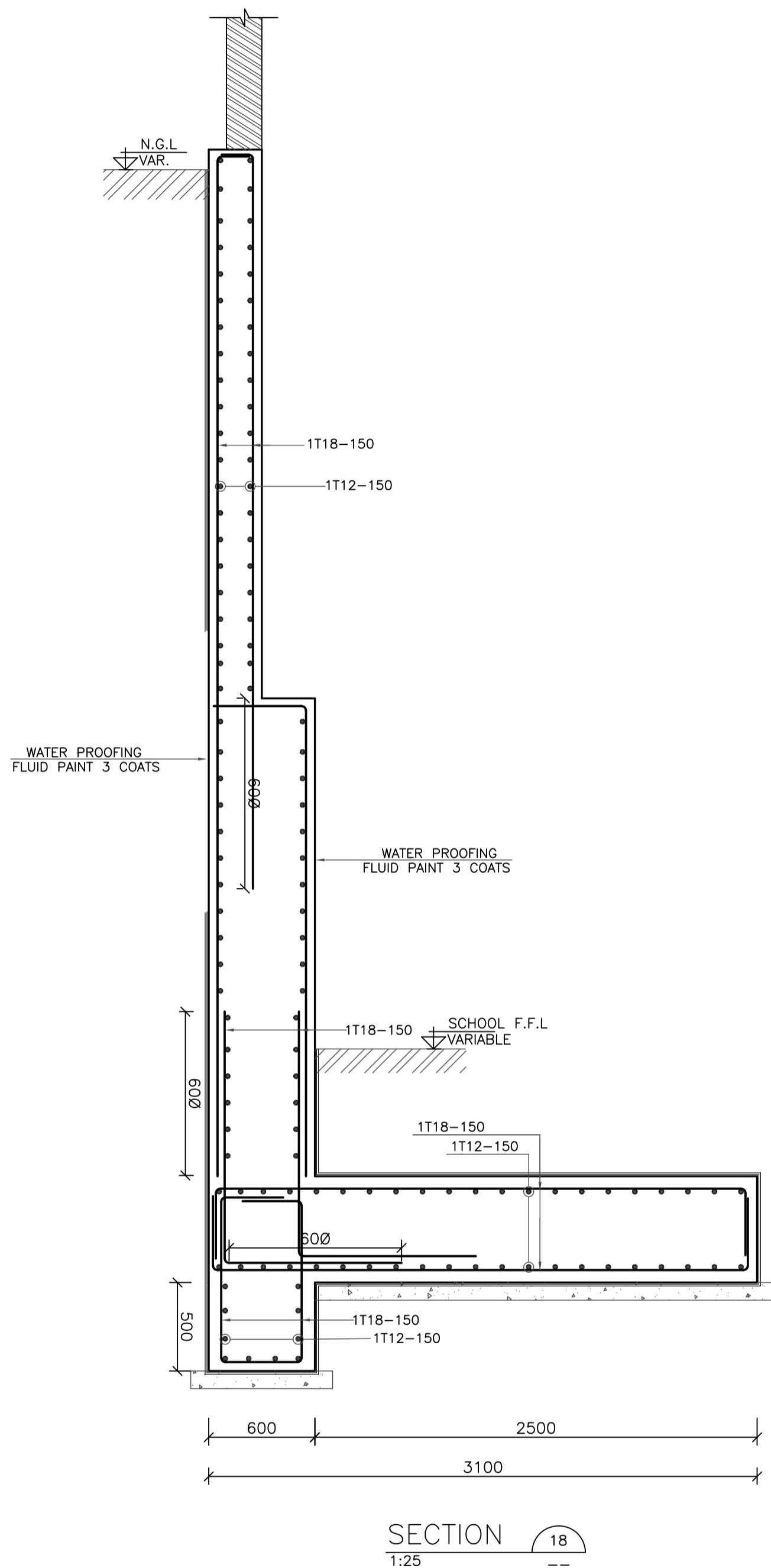
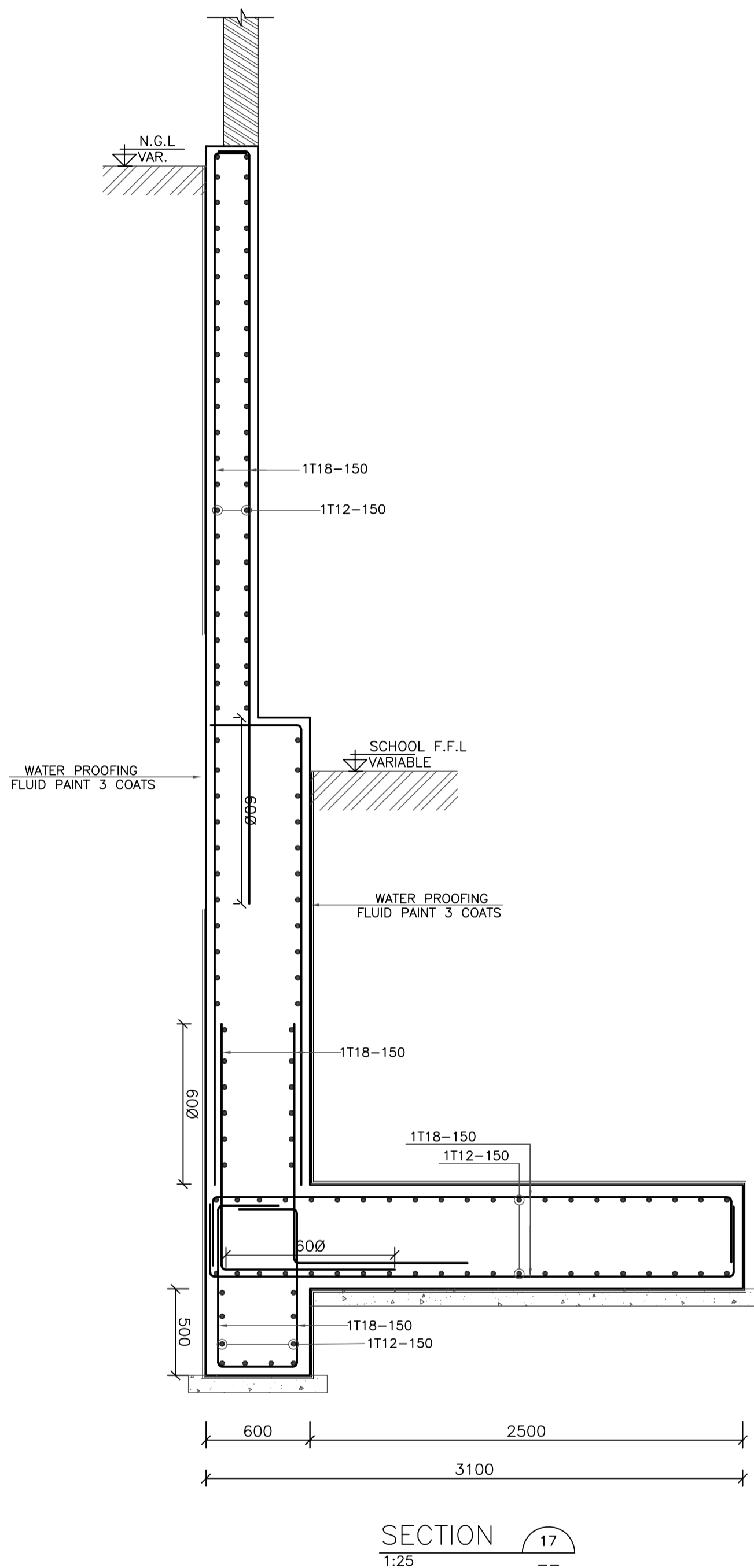


Jumana Bint Abi Taleb Basic Mixed School
(Amman- Marka)
SCHOOLS FOR A KNOWLEDGE ECONOMY
PROJECT (USAID SKEP)

DRAWING NAME: BOUNDARY WALLS SECTIONS -2-		
DESIGN: A.KH.	DRAWN: CAD	CHECKED: R.K
SCALE: 1:25	DATE: MAY 2019	APPROVED: W.Z.
DRAWING NUMBER: SKEP-18-SD-608		

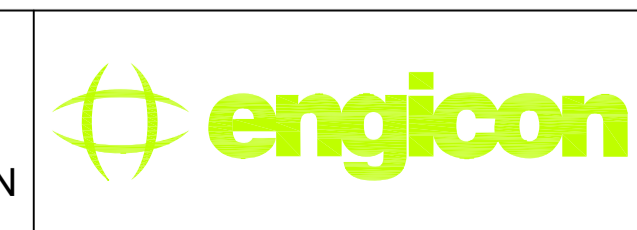
Rev.:	0
-------	---

NOTE: FOR WEeping HOLES DETAILS REFER TO DRAWING SG-001



REV.	DATE	REMARKS

NOTES:

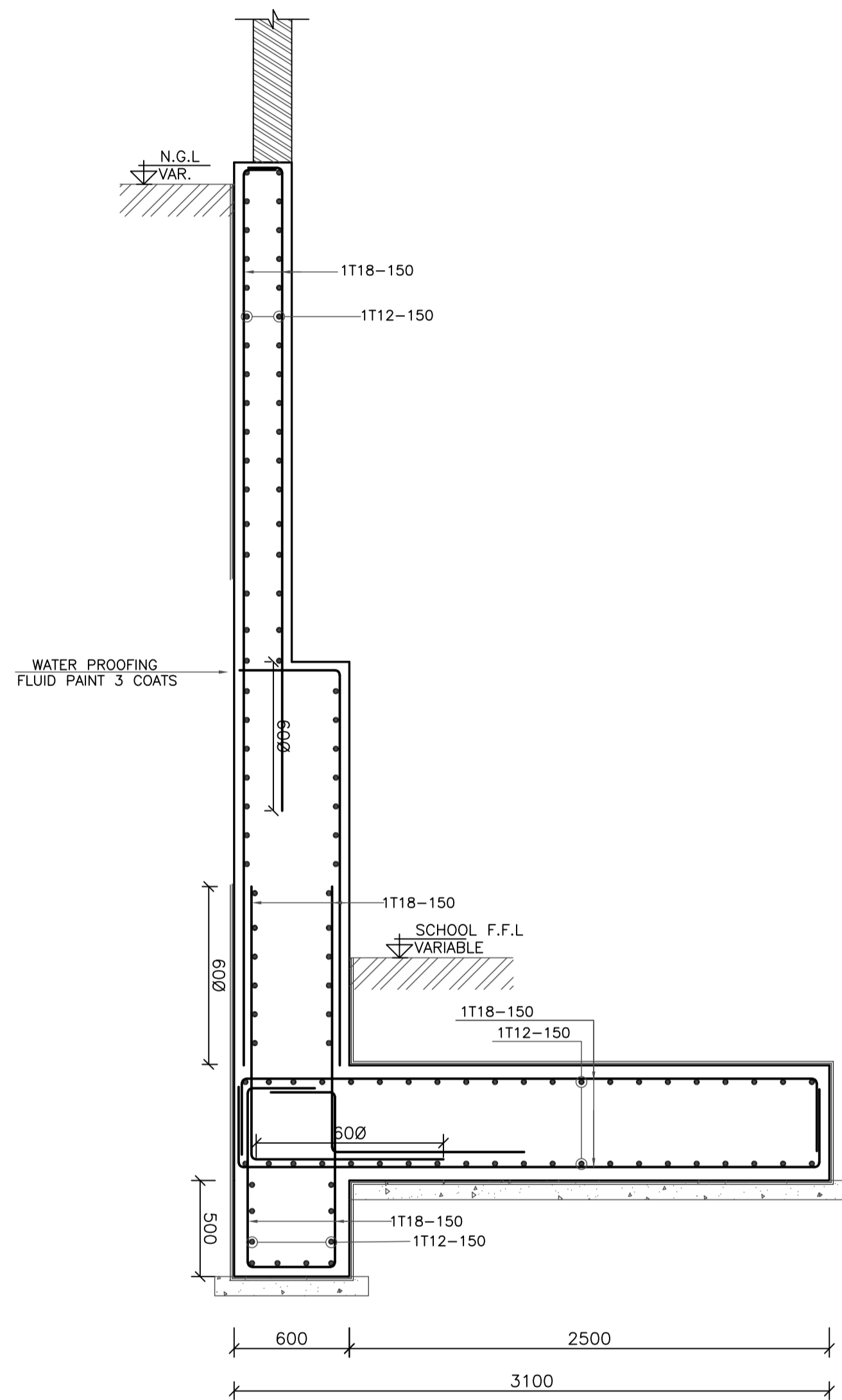


Jumana Bint Abi Taleb Basic Mixed School
(Amman- Marka)
SCHOOLS FOR A KNOWLEDGE ECONOMY
PROJECT (USAID SKEP)

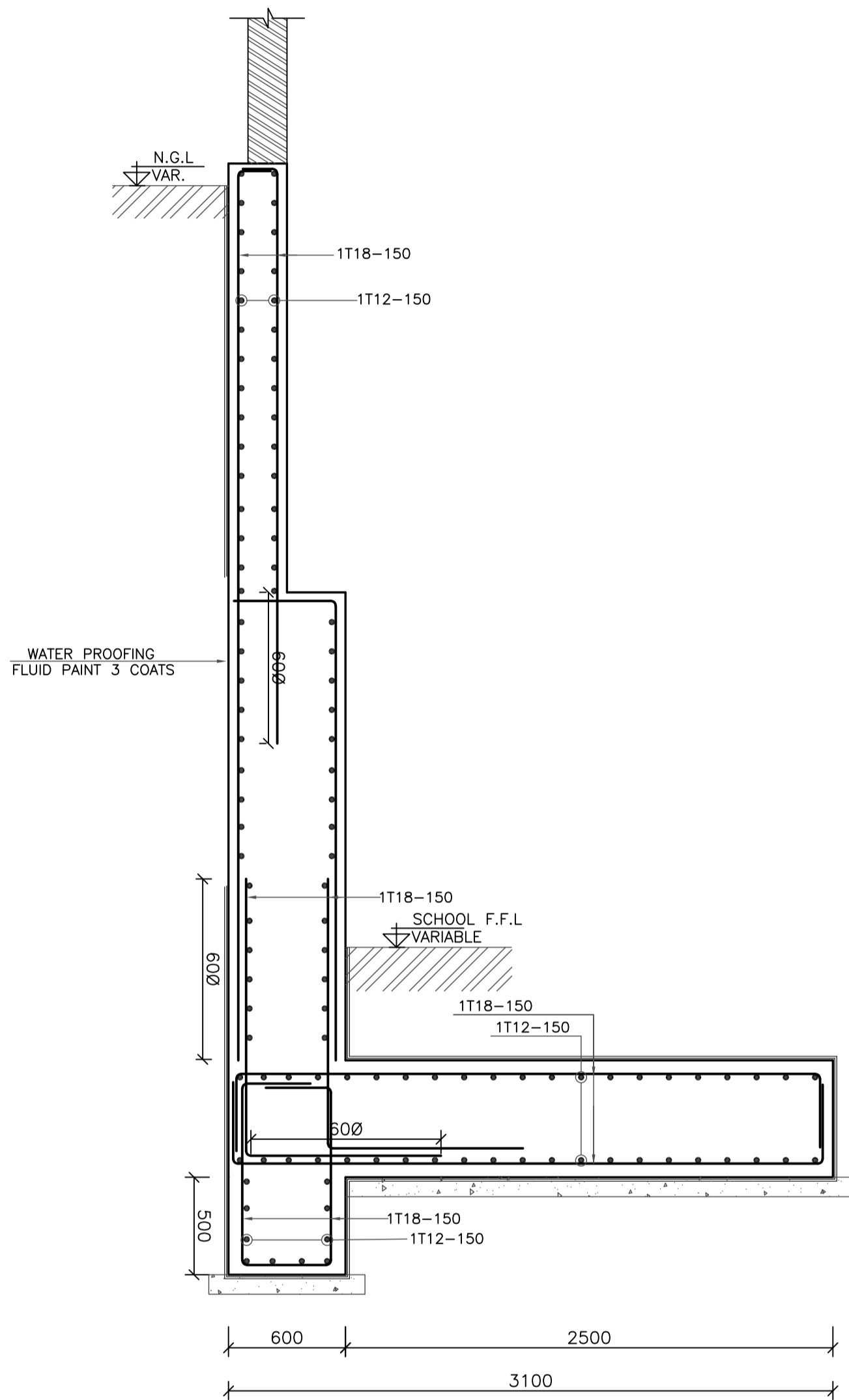
DRAWING NAME: BOUNDARY WALLS SECTIONS -3-		
DESIGN: A.KH.	DRAWN: CAD	CHECKED: R.K
SCALE: 1:25	DATE: MAY 2019	APPROVED: W.Z.
PLOT No 1496	LOCATION Marka	BASIN NO 1 Hanao Al Kassar
DRAWING NUMBER: SKEP-18-SD-609		

Rev.:	0
-------	---

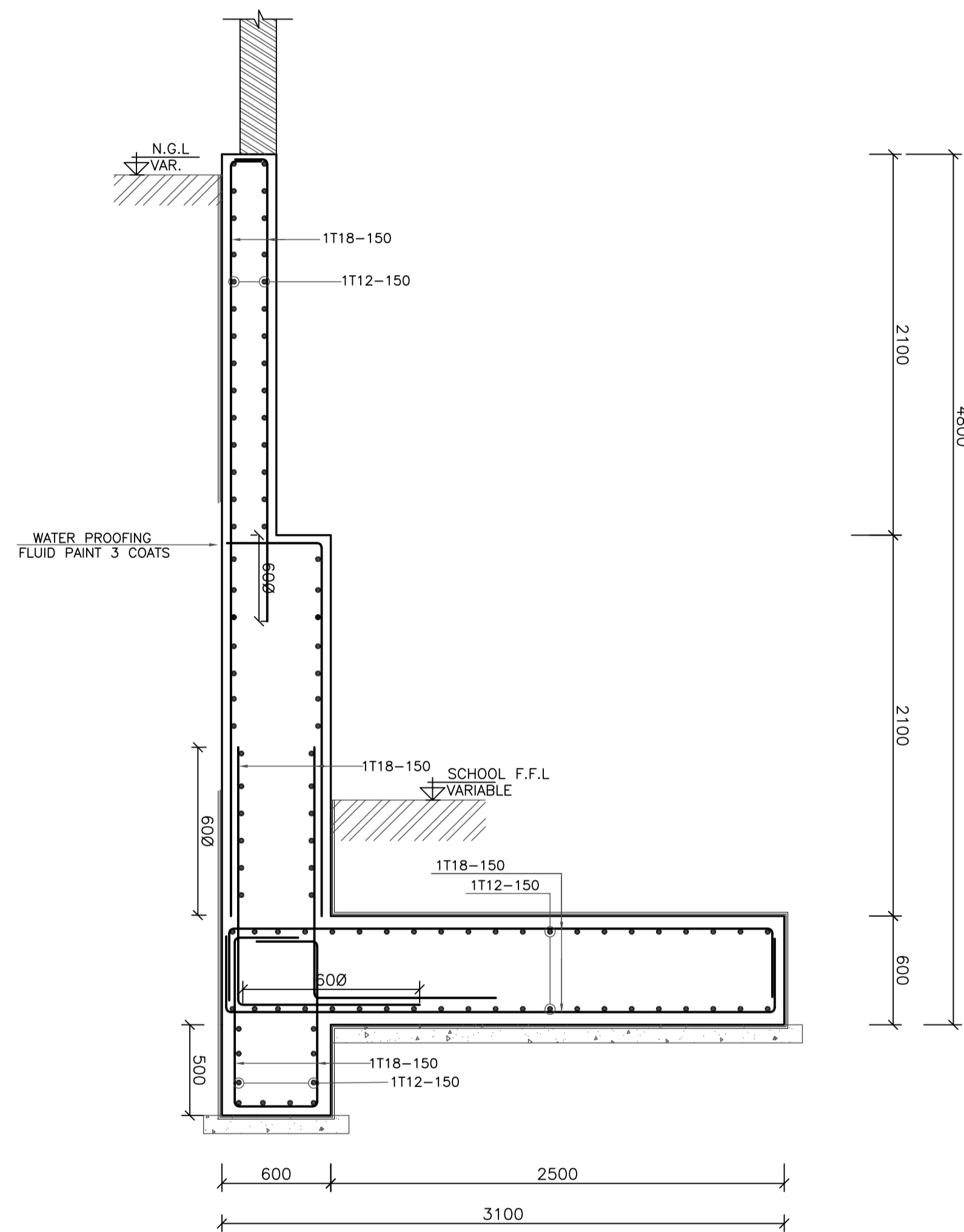
NOTE: FOR WEeping HOLES DETAILS REFER TO DRAWING SG-001



SECTION 20
1:25



SECTION 21
1:25



SECTION 22
1:25

REV.	DATE	REMARKS

NOTES:

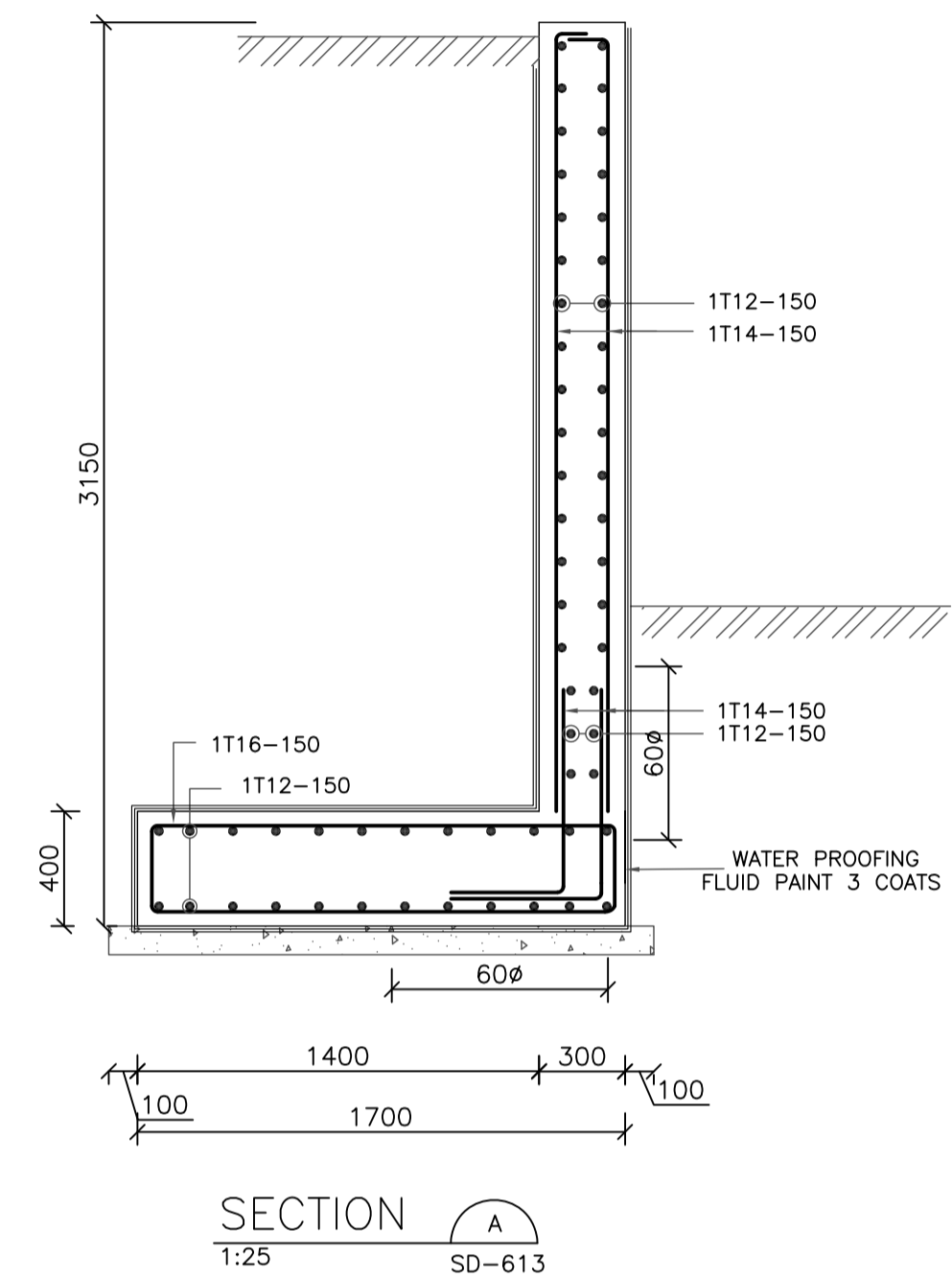
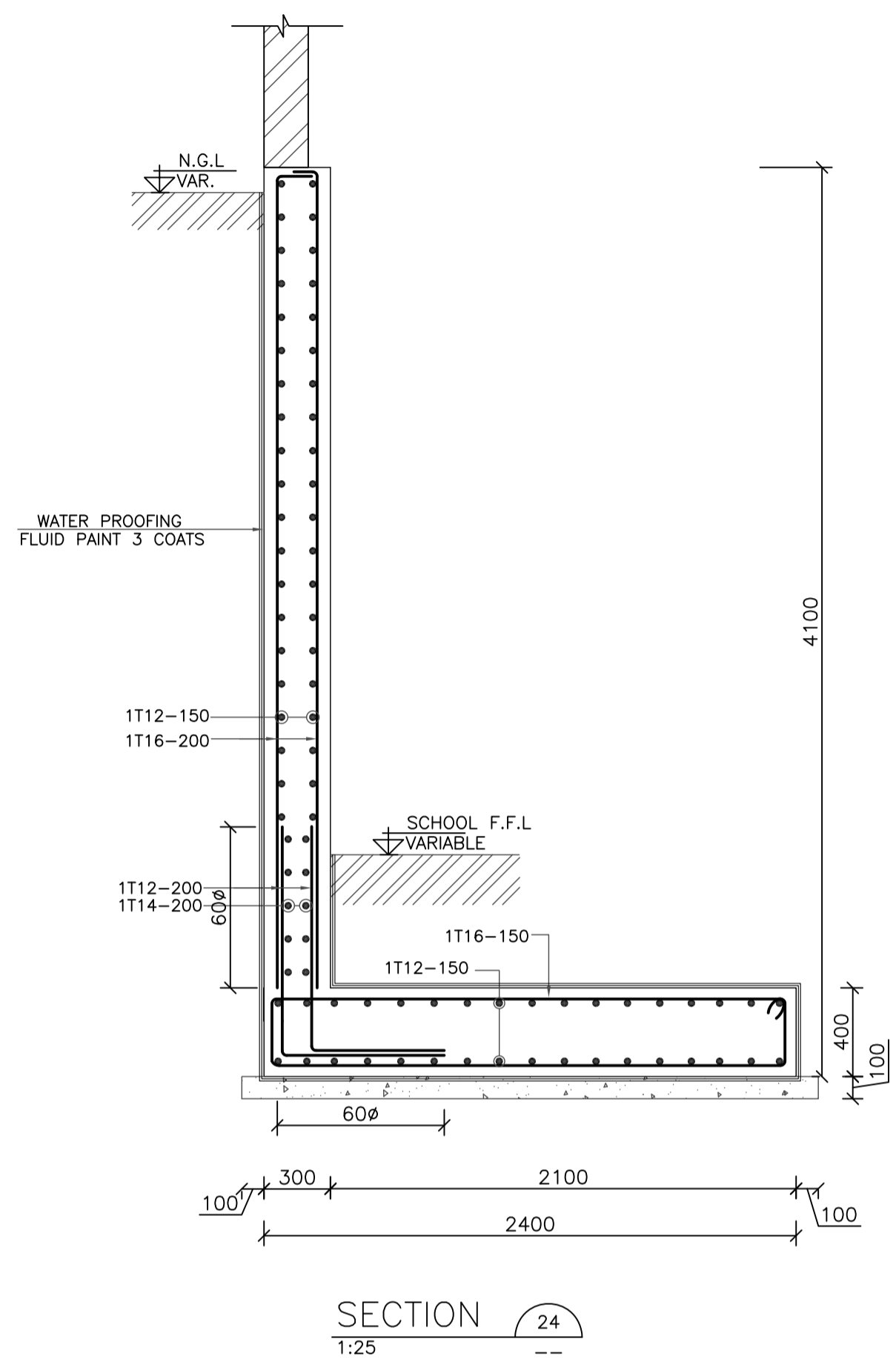
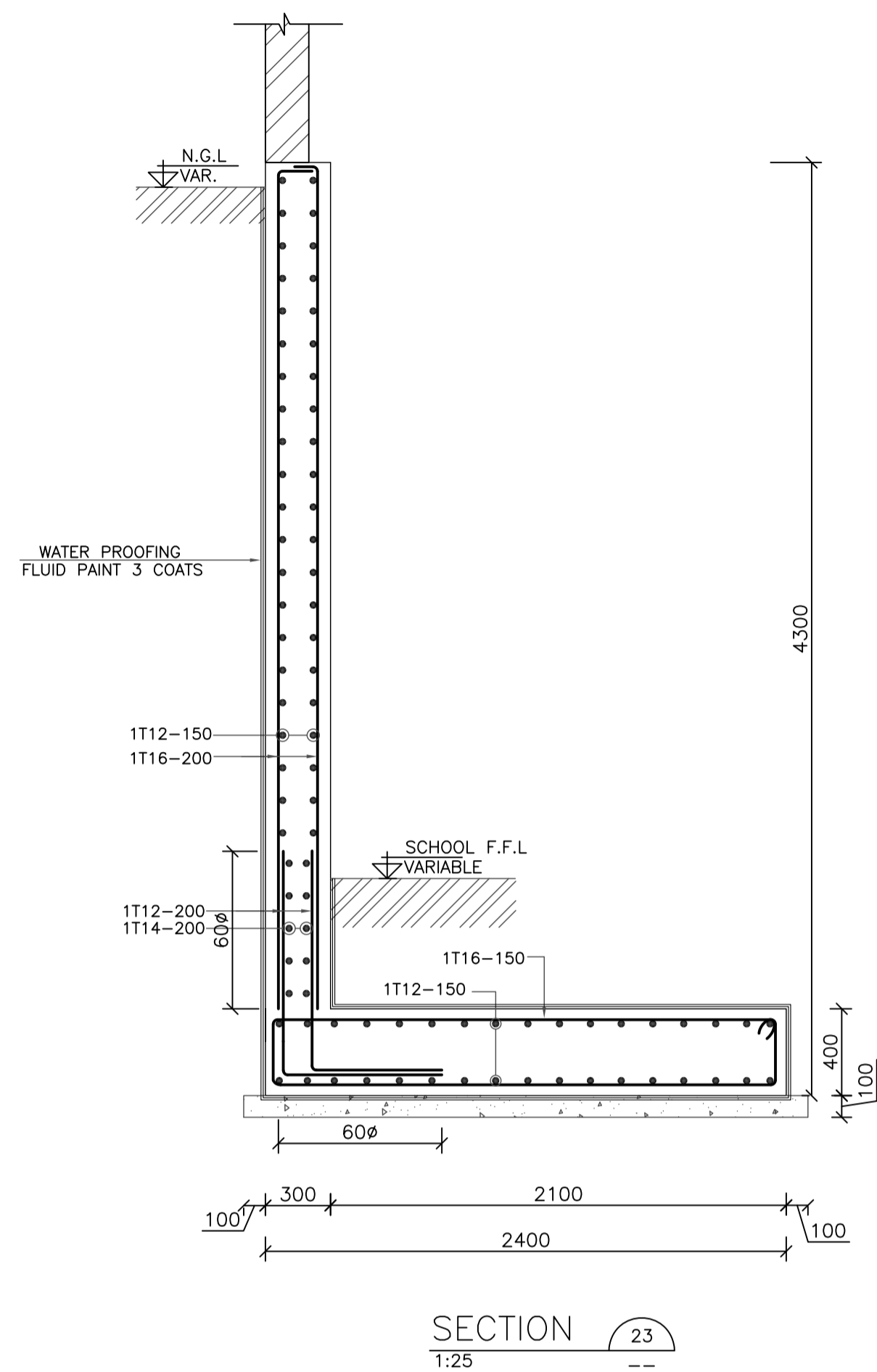


Jumana Bint Abi Taleb Basic Mixed School
(Amman- Marka)
SCHOOLS FOR A KNOWLEDGE ECONOMY
PROJECT (USAID SKEP)

DRAWING NAME: BOUNDARY WALLS SECTIONS -4-		
DESIGN: A.KH.	DRAWN: CAD	CHECKED: R.K
SCALE: 1:25	DATE: MAY 2019	APPROVED: W.Z.
PLOT No 1496	LOCATION Marka	BASIN NO 1 Hanao Al Kassar
DRAWING NUMBER: SKEP-18-SD-610		

Rev.:	0
-------	---

NOTE: FOR WEeping HOLES DETAILS REFER TO DRAWING SG-001



REV.	DATE	REMARKS

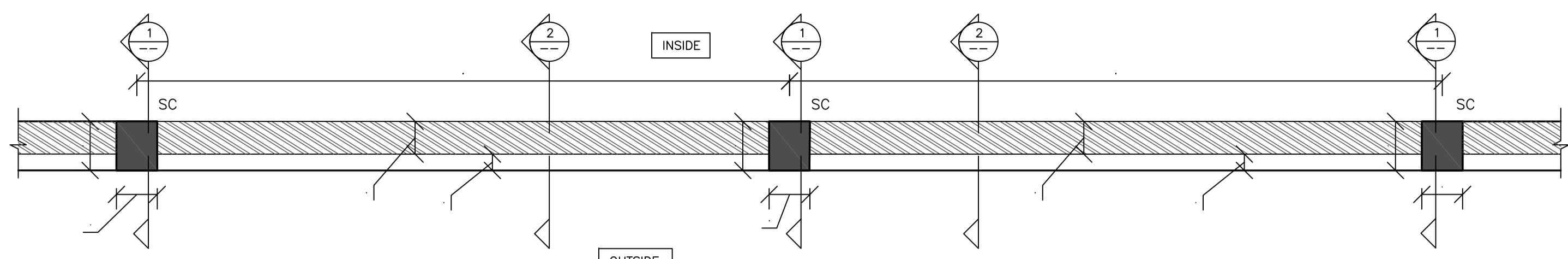
NOTES:



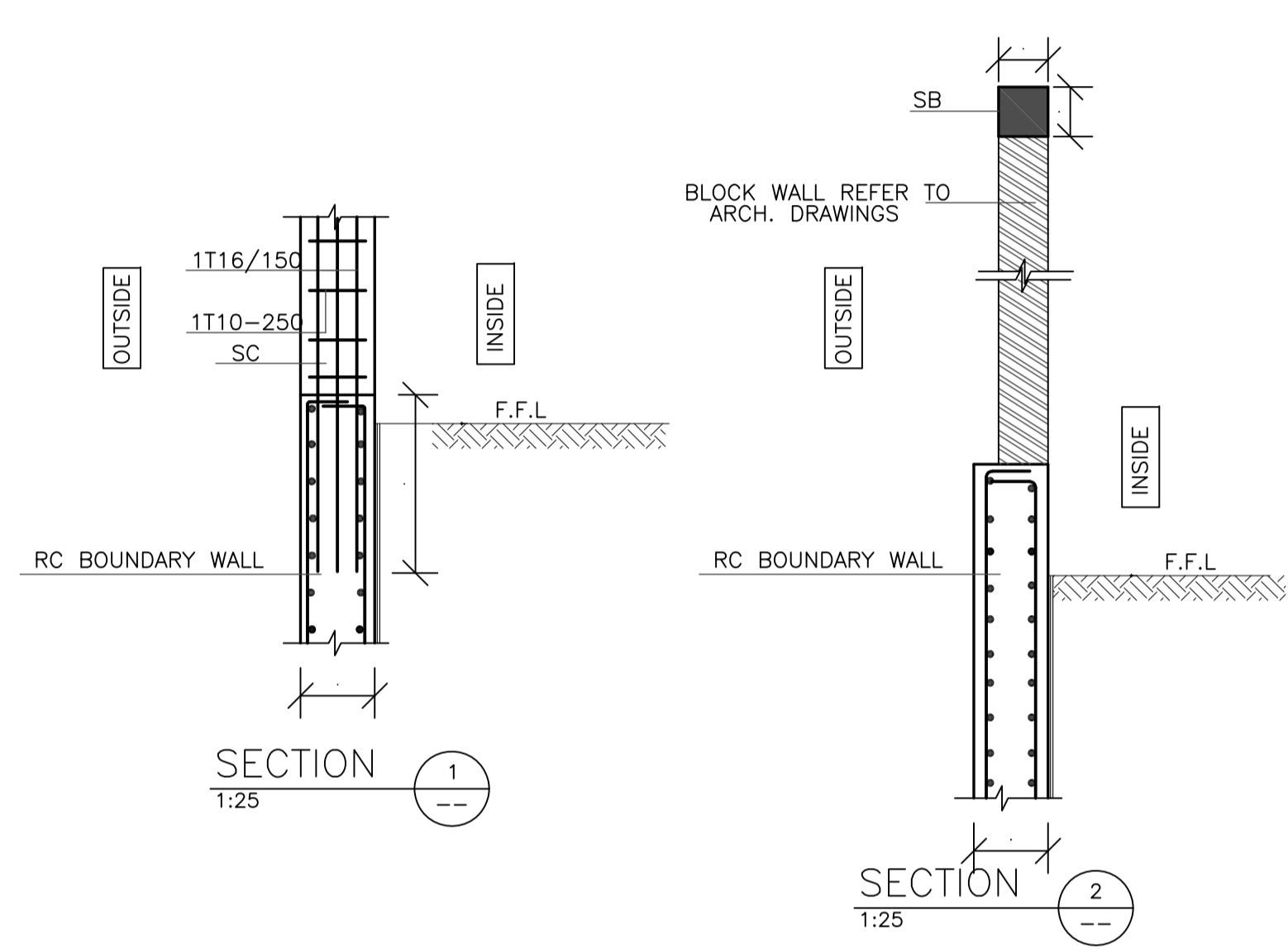
Jumana Bint Abi Taleb Basic Mixed School
(Amman- Marka)
SCHOOLS FOR A KNOWLEDGE ECONOMY
PROJECT (USAID SKEP)

DRAWING NAME: BOUNDARY WALLS SECTIONS -5-		
Design: A.KH.	Drawn: CAD	Checked: R.K
SCALE: 1:25	Date: MAY 2019	Approved: W.Z.
PLOT No 1496	LOCATION Marka	BASIN NO 1 Hanao Al Kassar

DRAWING NUMBER: SKEP-18-SD-611		Rev.: 0
-----------------------------------	--	------------

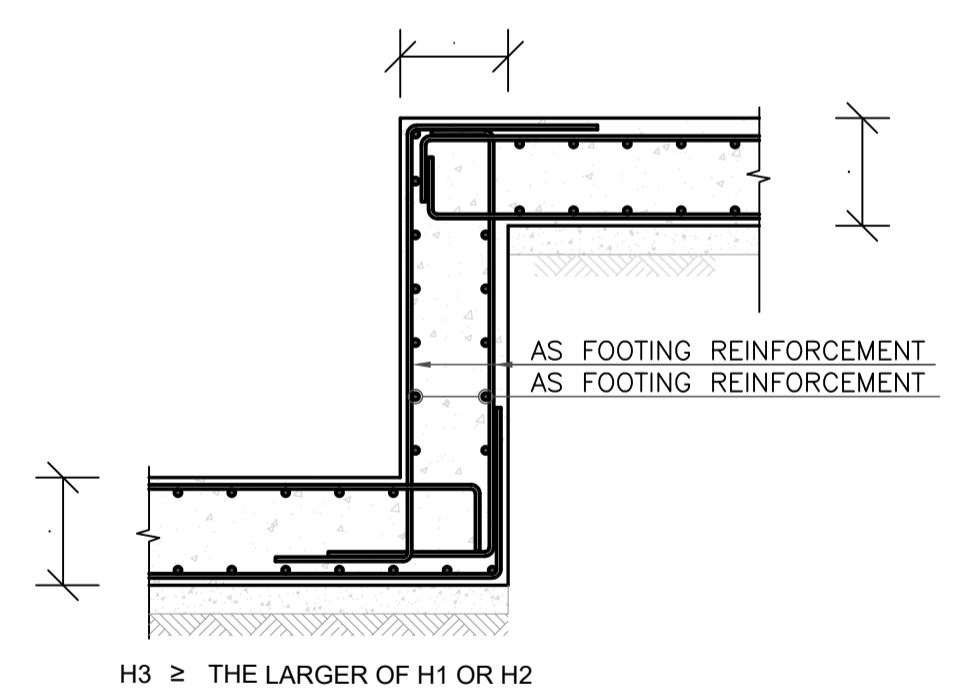


TOP OF BOUNDARY WALL
1:25

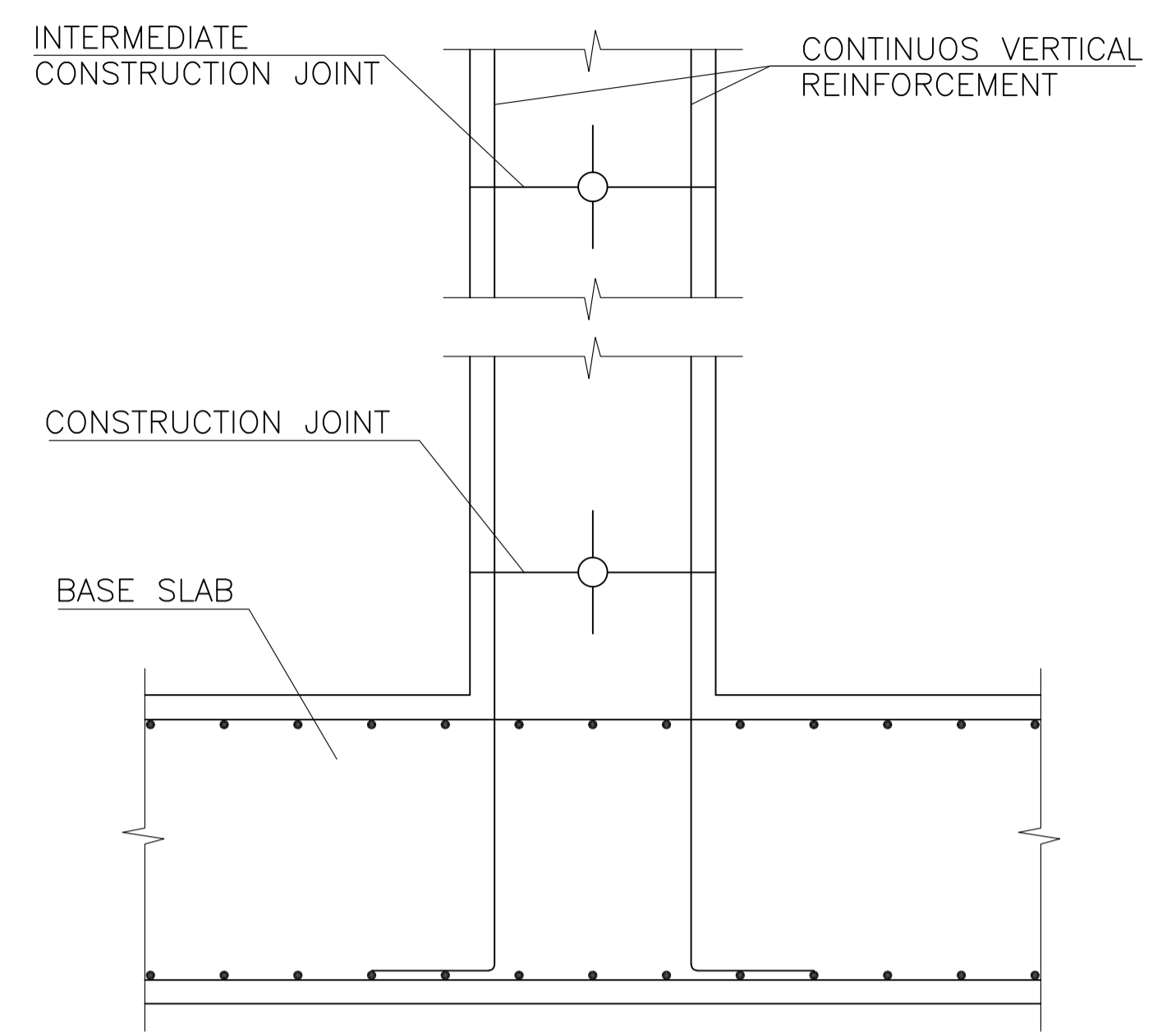


STIFFENER COLUMN (SC) ABOVE R.C WALL
BETWEEN BLOCK WALLS
1:25

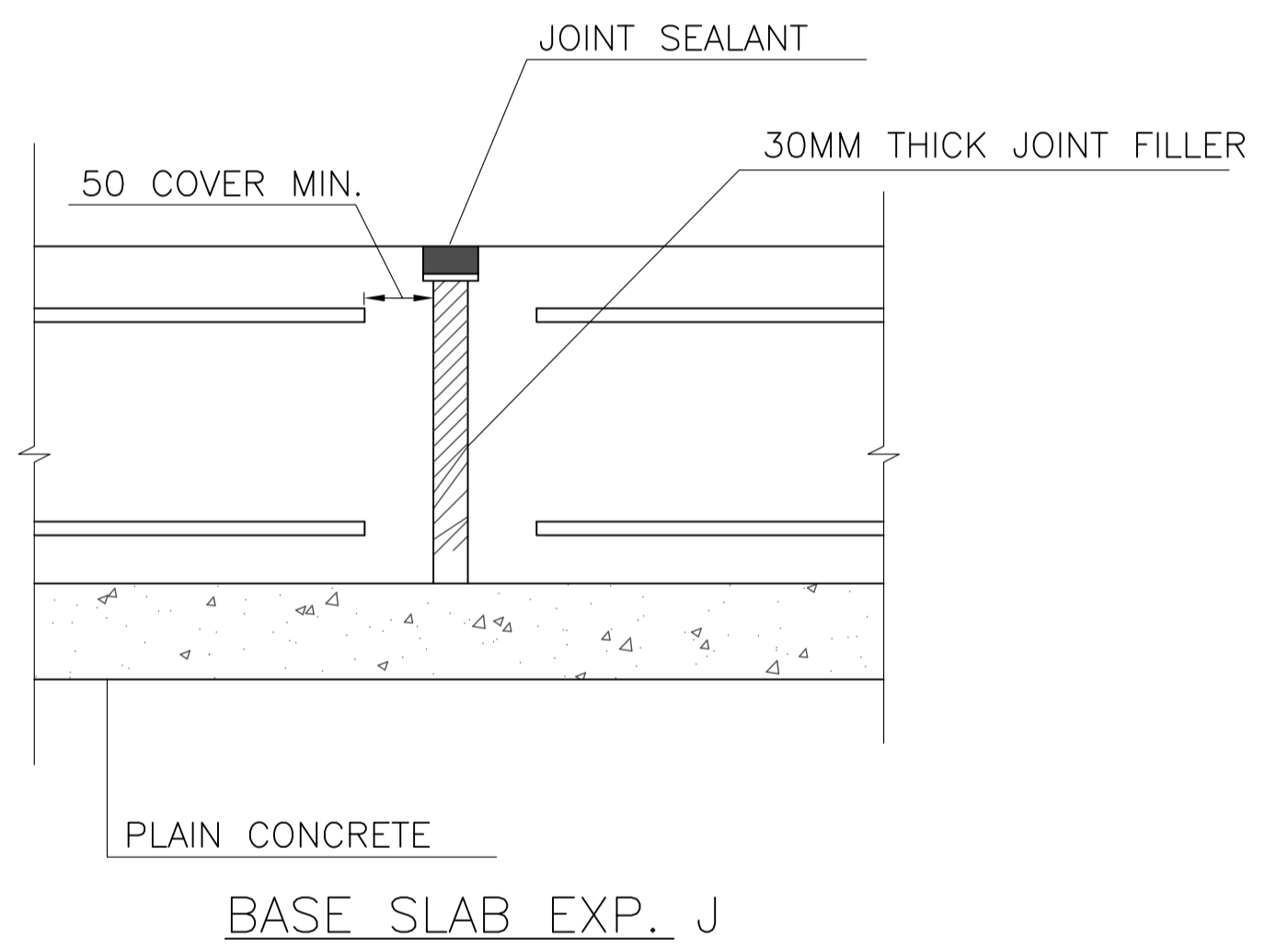
STIFFENER BEAM (SB) ABOVE BLOCK WALL
BETWEEN STIFFENER COLUMNS
1:25



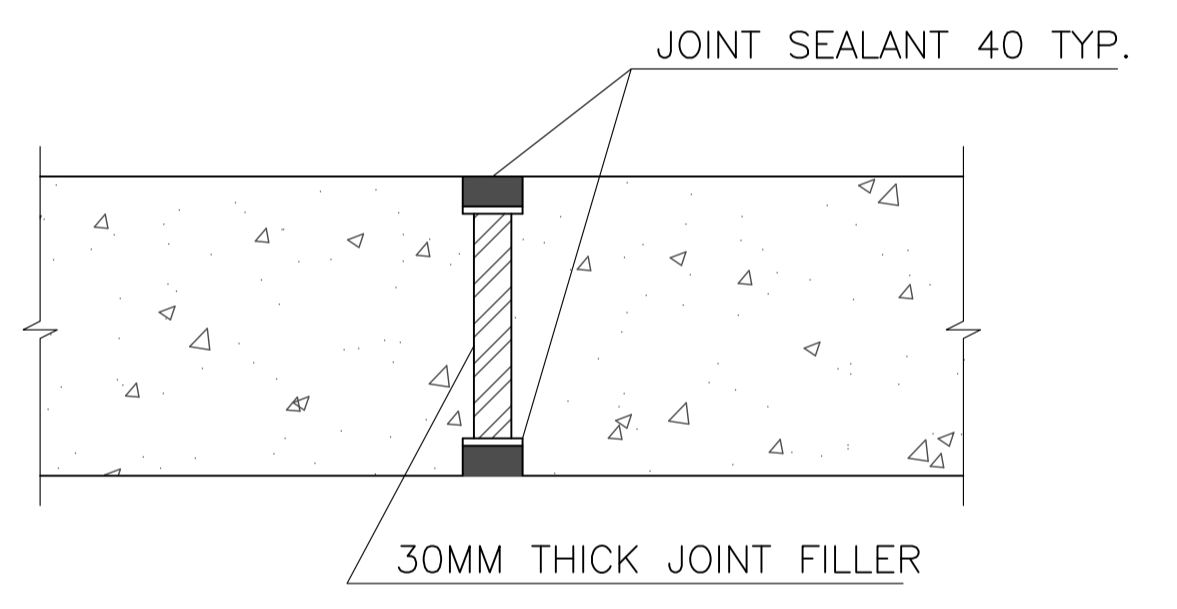
STEPPED FOUNDATION TYPICAL DETAIL
N.T.S



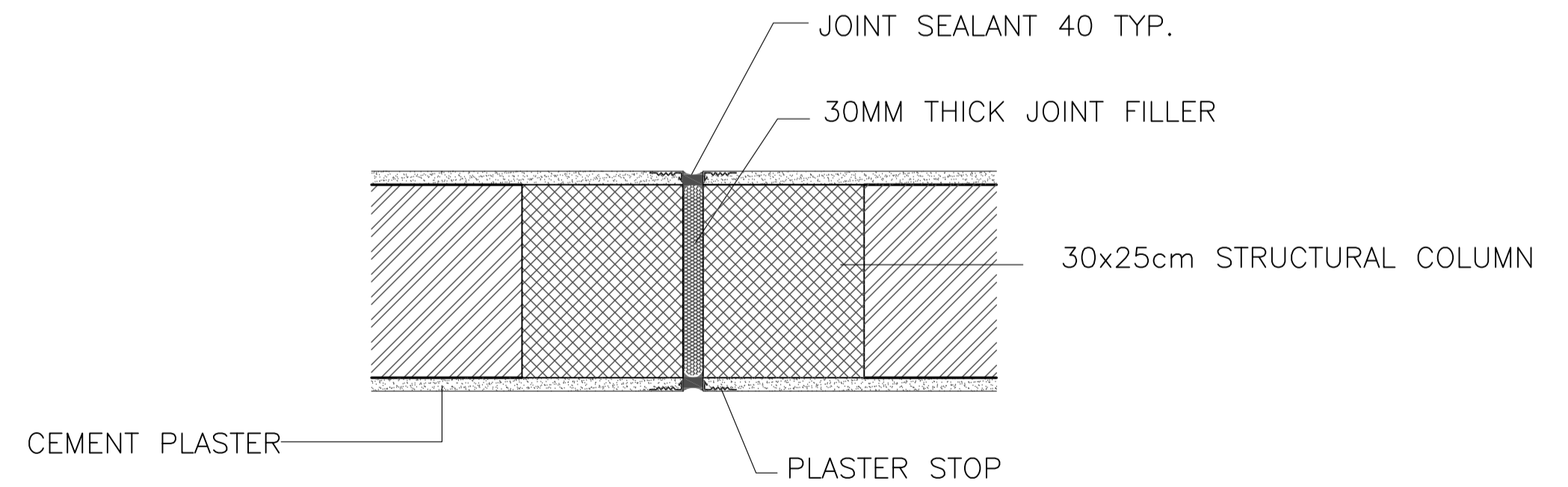
WALLS CONSTRUCTION JOINT



BASE SLAB EXP. J



WALL EXP. J



EXP. JOINT BETWEEN COLUMNS
ABOVE RETAINING WALL

REV.	DATE	REMARKS

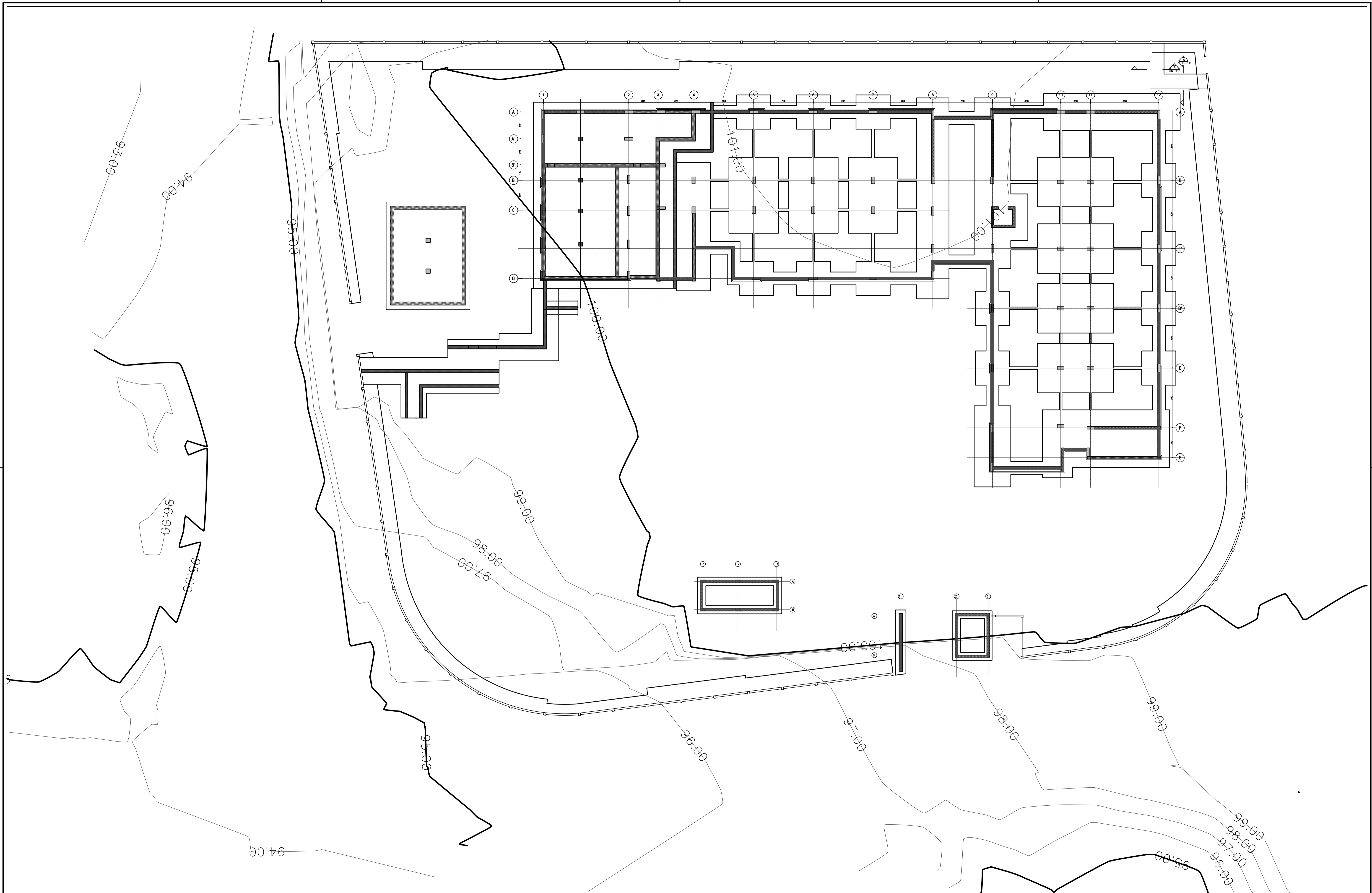
NOTES:



Jumana Bint Abi Taleb Basic Mixed School
(Amman- Marka)
SCHOOLS FOR A KNOWLEDGE ECONOMY
PROJECT (USAID SKEP)

DRAWING NAME: BOUNDARY WALLS GENERAL STRUCTURAL DETAILS		
Design: A.KH.	Drawn: CAD	Checked: R.K
SCALE: AS SHOWN	Date: MAY 2019	Approved: W.Z.
PLOT No 1496	LOCATION Marka	BASIN NO 1 Hanao Al Kassar
DRAWING NUMBER: SKEP-18-SD-612		

Rev.:	0
North:	



REV.	DATE	REMARKS

NOTES:



Jumana Bint Abi Taleb Basic Mixed School
(Amman- Marka)
SCHOOLS FOR A KNOWLEDGE ECONOMY
PROJECT (USAID SKEP)

DRAWING NAME: STRUCTURAL SITE PLAN		
Design: A.KH.	Drawn: CAD	Checked: R.K
SCALE: 1:200	Date: MAY 2019	Approved: W.Z.
PLOT No 1496	LOCATION Marka	BASIN NO 1 Hanao Al Kassar

DRAWING NUMBER: SKEP-18-SD-613		Rev.: 0
--	--	------------

