

## CODE OF PRACTICE

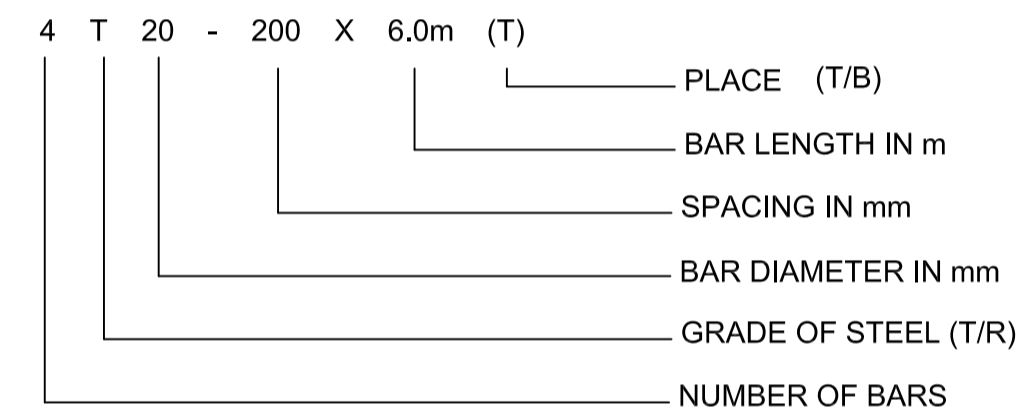
Design details shall be according to the Jordanian Code for Plain and Reinforced Concrete JBC5-93 and ACI codes.

## DRAWINGS

- Structural drawings shall be read in conjunction with Architectural, Mechanical and Electrical drawings.
- Sleeves and openings smaller than 200x200 mm are not shown on the Structural drawings. For required openings refer to Architectural, Mechanical and Electrical drawings.
- Contractor shall prepare working drawings and bar bending schedules for reinforcement in a format agreed with the engineer.
- Drawings are not necessarily to scale.
- Chamfers for fair faced concrete are not shown on Structural Drawings. Reference should be made to Architectural details for such purpose.

## NOTATION

T	TOP BARS
B	BOTTOM BARS
BOF	BOTTOM LEVEL OF FOOTING
T.O.F	TOP LEVEL OF FOOTING
EF	EACH FACE
EW	EACH WAY
S	STIRRUPS
T	HIGH YIELD BARS
R	MILD STEEL BARS
S.S	SOLID SLAB
S.O.G	SLAB ON GRADE
S.S.L	TOP LEVEL OF STRUCTURAL SLAB
EXP. J.	EXPANSION JOINT
C1	COLUMN NUMBER 1
B1	BEAM NUMBER 1
F1	FOOTING NUMBER 1
NTS	NOT TO SCALE
TYP	TYPICAL
T&B	TOP AND BOTTOM



## EARTHQUAKE RESISTANCE

Earthquake Resistance Design is in accordance with Jordanian seismic code Zone (2A). Lateral Stability is provided by Shear Walls and Shear Cores. Importance factor I=(1) and soil Profile is (Sc) as given in the soil report.

## DEAD LOADS AND MATERIAL OWN WEIGHTS

REINFORCED CONCRETE	24 kN /m <sup>3</sup>
STRUCTURAL STEEL	78.5 kN /m <sup>3</sup>
CONCRETE BLOCK	16.5 kN /m <sup>3</sup>
SATURATED SOIL	20 kN /m <sup>3</sup>
CERAMIC TILE	0.80 kN /m <sup>2</sup>

## LIVE LOADS

According to Jordanian Code of Loads and Forces,2006. Live loads for educational building.

LOCATION	UNIFORMLY DISTRIBUTED LOAD
ROOF SLABS	2.0 kN/m <sup>2</sup>
GROUND SLABS	4.0 kN/m <sup>2</sup>
FLOOR SLABS	4.0 kN/m <sup>2</sup>
BATHROOM SOLID SLABS	4.0 kN/m <sup>2</sup>
PUMPING ROOM SLABS	5.0 kN/m <sup>2</sup>
INLET	4.0 kN/m <sup>2</sup>
OUTLET	4.0 kN/m <sup>2</sup>
AUDITORIUM SLABS	5.0 kN/m <sup>2</sup>
STAIRS	4.0 kN/m <sup>2</sup>
STORAGE ROOMS	5.0 kN/m <sup>2</sup>

## COVER

Clear concrete cover to reinforcement shall be:

- 70 mm for concrete in contact with soil or blinding.
- 50 mm for concrete surface in contact with water.
- 40 mm for external basement walls.
- 40 mm for concrete columns and beams.
- 25 mm for concrete slabs, stairs and walls.

## REINFORCED CONCRETE

Compressive strength of concrete,  $f_{cu}$ , as defined by a standard 150mm cube at 28 days shall be:

- 30 MPa : for slabs, beams & foundations, retaining walls, and site structures
- 35 MPa: or columns, shearwalls & water tank.
- 20 MPa: for slabs on grade & Cyclopean and Mass concrete.
- 15 MPa: for blinding.

Cement content shall be determined by design mix to approved: by the consultant and shall not be less than:

- 15 MPa : 220kg/m<sup>3</sup>
- 20 MPa : 275kg/m<sup>3</sup>
- 30 MPa : 300kg/m<sup>3</sup>
- 35 MPa : 325kg/m<sup>3</sup>

Water-Cement ratio shall be not more than:

- 15 MPa : 1.0
- 20 MPa : 0.75
- 30 MPa : 0.60
- 35 MPa : .55

Cement:

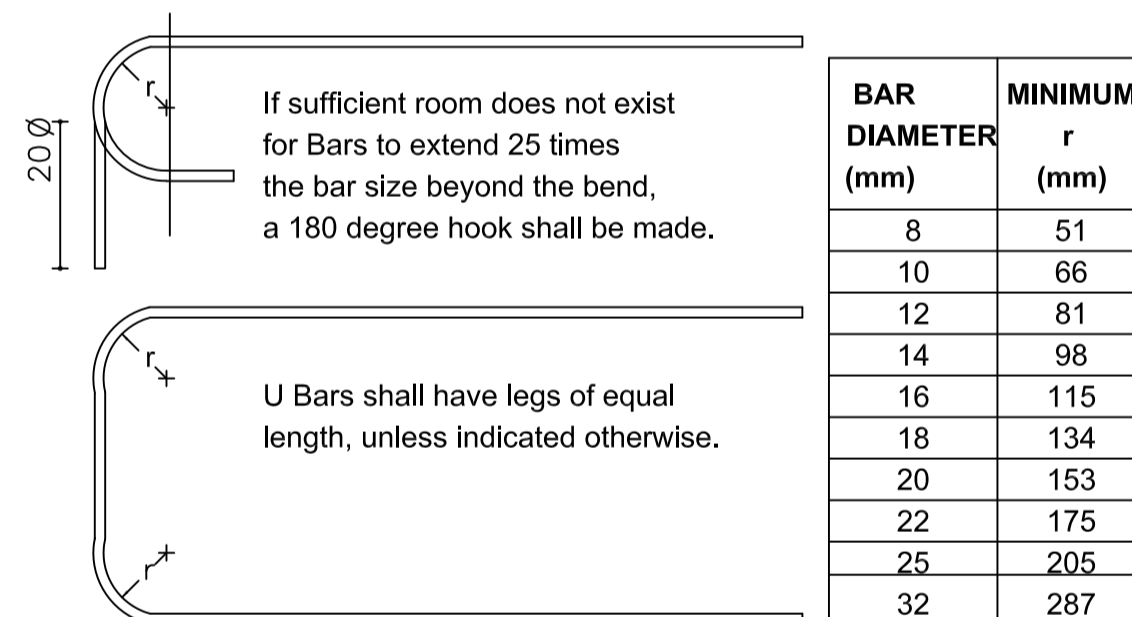
Ordinary portland cement shall be used for reinforced and unreinforced concrete elements.

## LINTELS

SCHEDULE OF LINTELS REINFORCEMENT											
LINTEL CLEAR SPAN (m)	b=100mm		b=150mm		b=200mm		b=300mm		DEPTH (mm)		
	TOP REINF.	BOTTOM REINF.	TOP REINF.	BOTTOM REINF.	TOP REINF.	BOTTOM REINF.	TOP REINF.	BOTTOM REINF.		TOP	BOTTOM
< 2.0	1110	1112	2110	2112	2110	2112	3110	3112	200		
2.0-3.0	1110	1116	2110	2116	2110	2116	3110	3116	250		
3.0-3.5	1110	1120	2110	2120	2110	2120	3112	3120	300		
> 3.5	1110	1120	2110	2120	2110	2120	3112	3120	400		

## RADII OF BENDING

Minimum Radius of Bend for Top Bars at Support and U Bars shall be as follows. For other bars, minimum radius of bend shall equal to 2 times bar size for Mild Steel and 3 times bar size for High-yield Steel.



## FOUNDATIONS

The footings are designed on bearing capacity equal to 225 kPa: in accordance with Geotechnical Investigation Report No. S17000138 Prepared by the (Arab Center For Engineering Studies) dated: 28th OCT. 2017.

Building foundations shall be within the native Chalky Marl/Marlstone, but the minimum foundation embedment depth should not be less than 1.5m below the lowest level of ground surrounding the structure.

Systems such as individual footings with tie beams, strip footing and/or raft foundation should never be laid on the existing fill or buried topsoil/ topsoil material.

Contractor shall verify the bearing capacity and the depth of foundation before construction.

If any variation or undesirable conditions are encountered during construction geotechnical company should be notified.

Backfilling in front and behind retaining walls shall be done simultaneously.

Do not backfill against building foundation and retaining walls until restraining slabs and adequate bracing are in place. all backfill shall be placed and compacted in accordance with specifications.

Do not backfill against concrete cantilever retaining walls until concrete has attained its specified 28-day compressive strength  $f_{cu}$ .

All backfill shall be placed and compacted in accordance with the specifications.

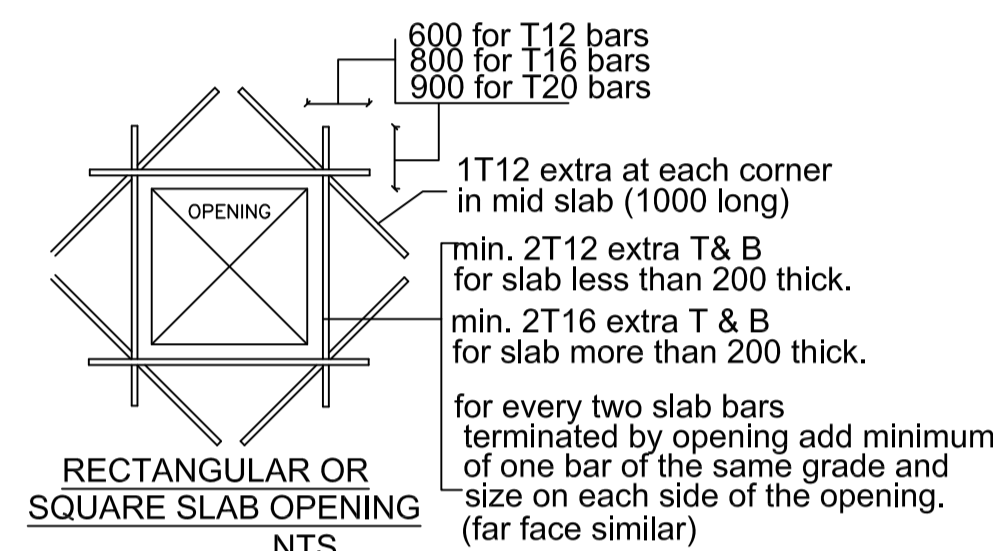
## FUTURE EXPANSION

Building Designed for a total of 4 stories.(One Additional Floor)

## REINFORCEMENT

- All reinforcing bars shall be deformed high strength steel bars of Characteristic Strength equal to:  $f_y = 420$  MPa. for main steel denoted by T or R.
- Reinforcement shall comply with Jordanian standards
- Reinforcement shall be placed as shown on the drawings and in the lengths specified.
- Where bar length is not specified, longest practicable bar length shall be employed with staggered lap splices. Lap length shall be 60 times bar diameter.
- Bar crank shall not exceed 1:12.
- Beam reinforcement in multiple layers shall have 25mm spacer bars.

## FOR OPENINGS IN SOLID SLABS

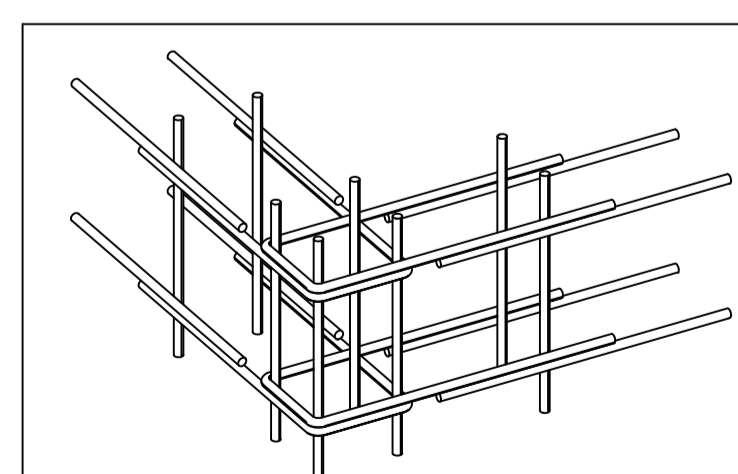
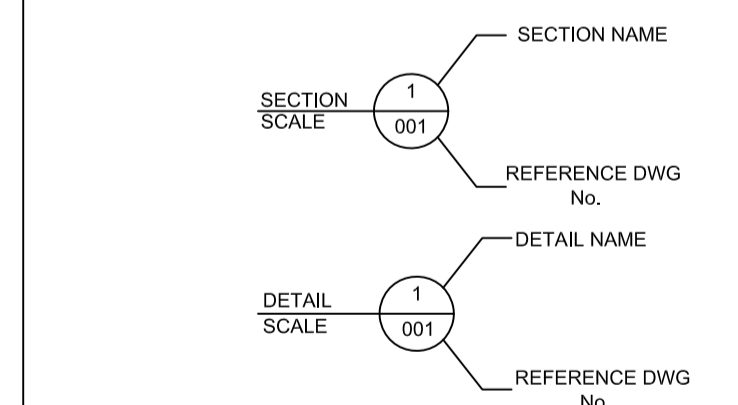


NOTES:

- for openings less than 200 x 200 (or 200 dia. regular reinforcing bars to be re-arranged around the opening.
- for openings greater than 200 x 200 (or 200 dia.) & equal or less than 1000x1000 use above details unless additional trimming bars are shown on the plan.
- where an opening edge aligns with the side of a beam - omit the additional bars shown, from that edge.
- similar details apply for hexagonal and octagonal openings.

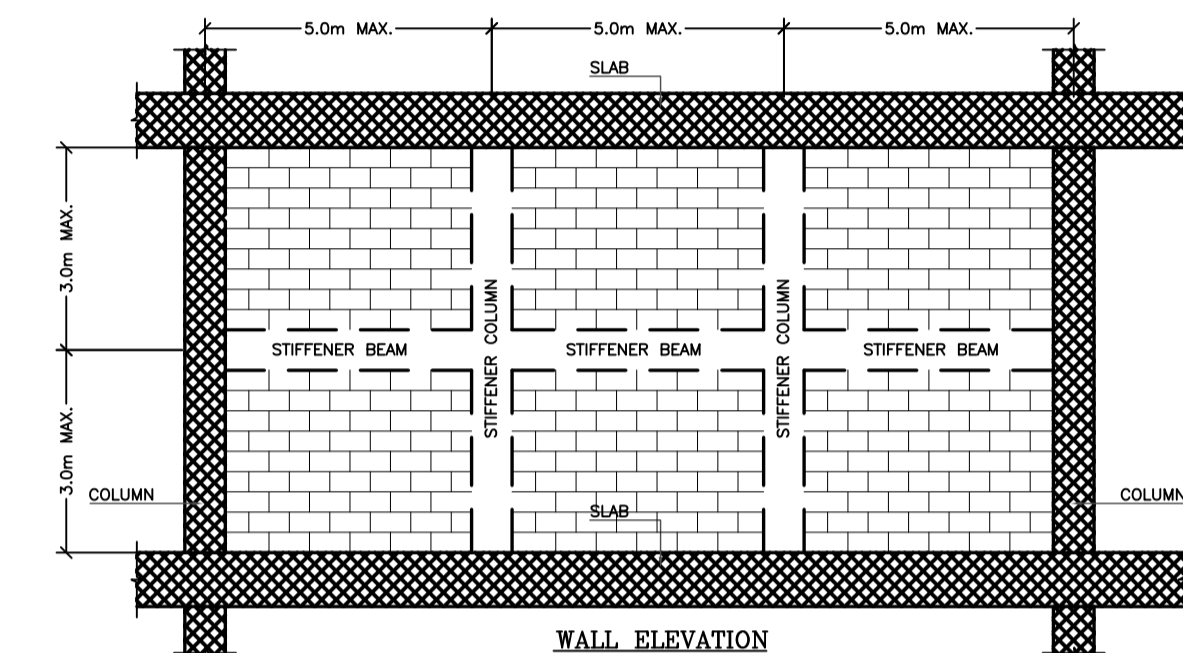
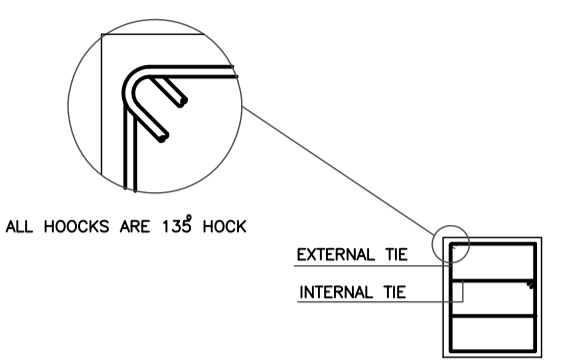
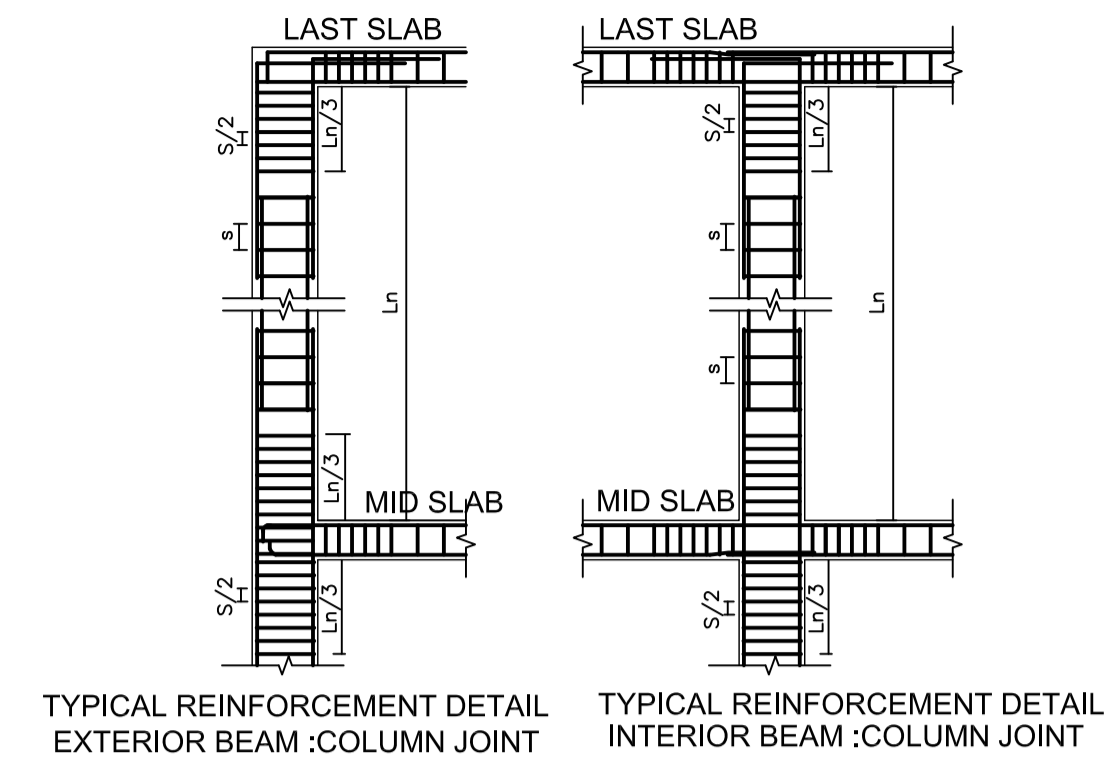
## SYMBOLS

	REINFORCED CONCRETE
	BLOCK
	FILL
	PLAIN CONCRETE
	CONCRETE LEVEL IN ELEVATION
	CONCRETE LEVEL IN PLAN
	(SLAB, FOUNDATION TYPE)
	THICKNESS IN MM



FOR ALL WALLS AND WALL BEAMS  
Use U Bars for ends and corners

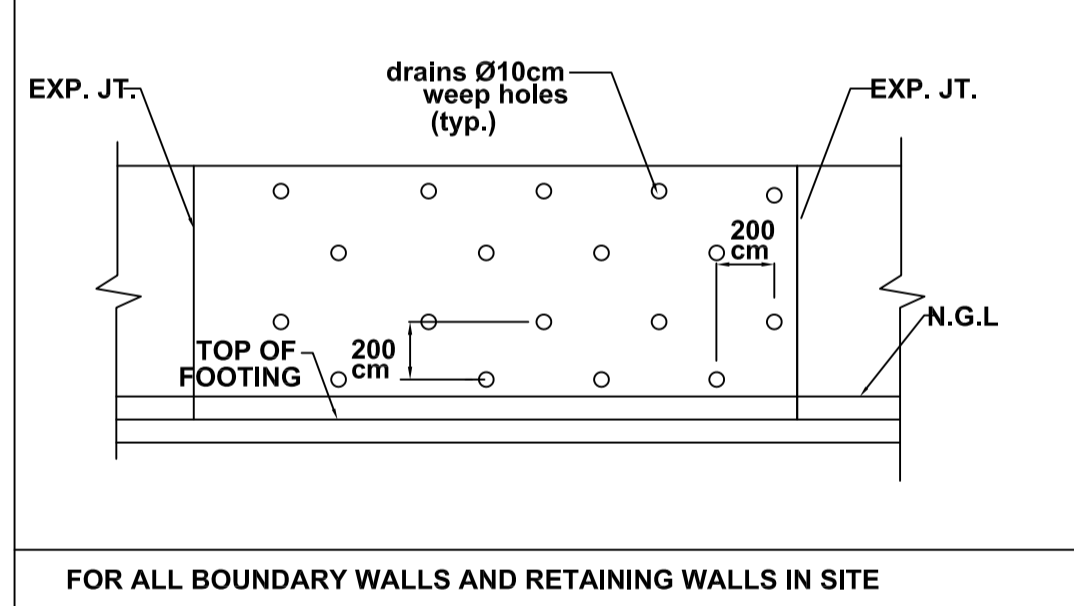
## DETAILS



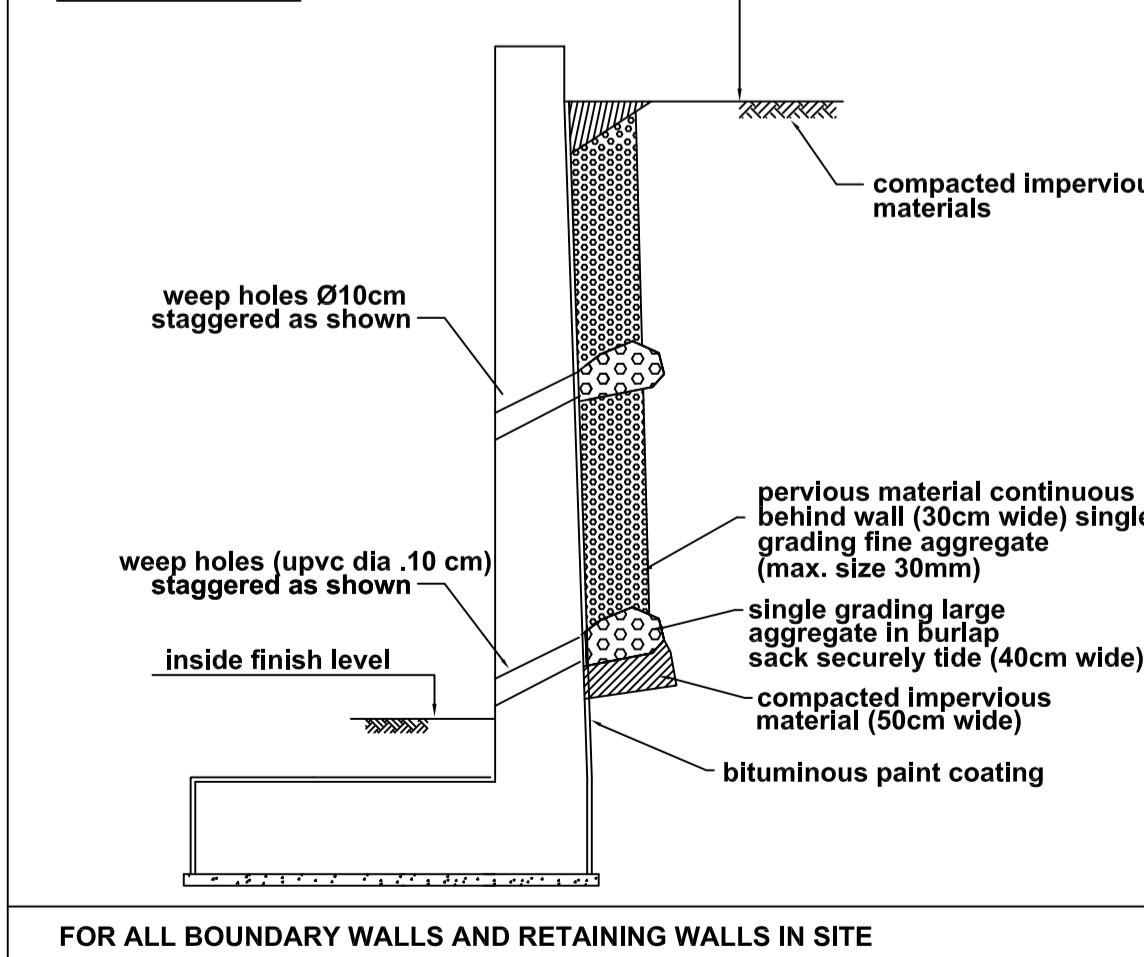
TYPICAL SECTION THROUGH STIFFENER BEAM

TYPICAL SECTION THROUGH STIFFENER COLUMN

## TYPICAL ELEVATION



## TYPICAL SECTION



FOR ALL BOUNDARY WALLS AND RETAINING WALLS IN SITE

REV.	DATE	REMARKS
1	MARCH 2018	BEAMS-COLUMNS CONNCTION
0	JUNE 2019	VOL. IV - TENDER DRAWINGS

NOTES:



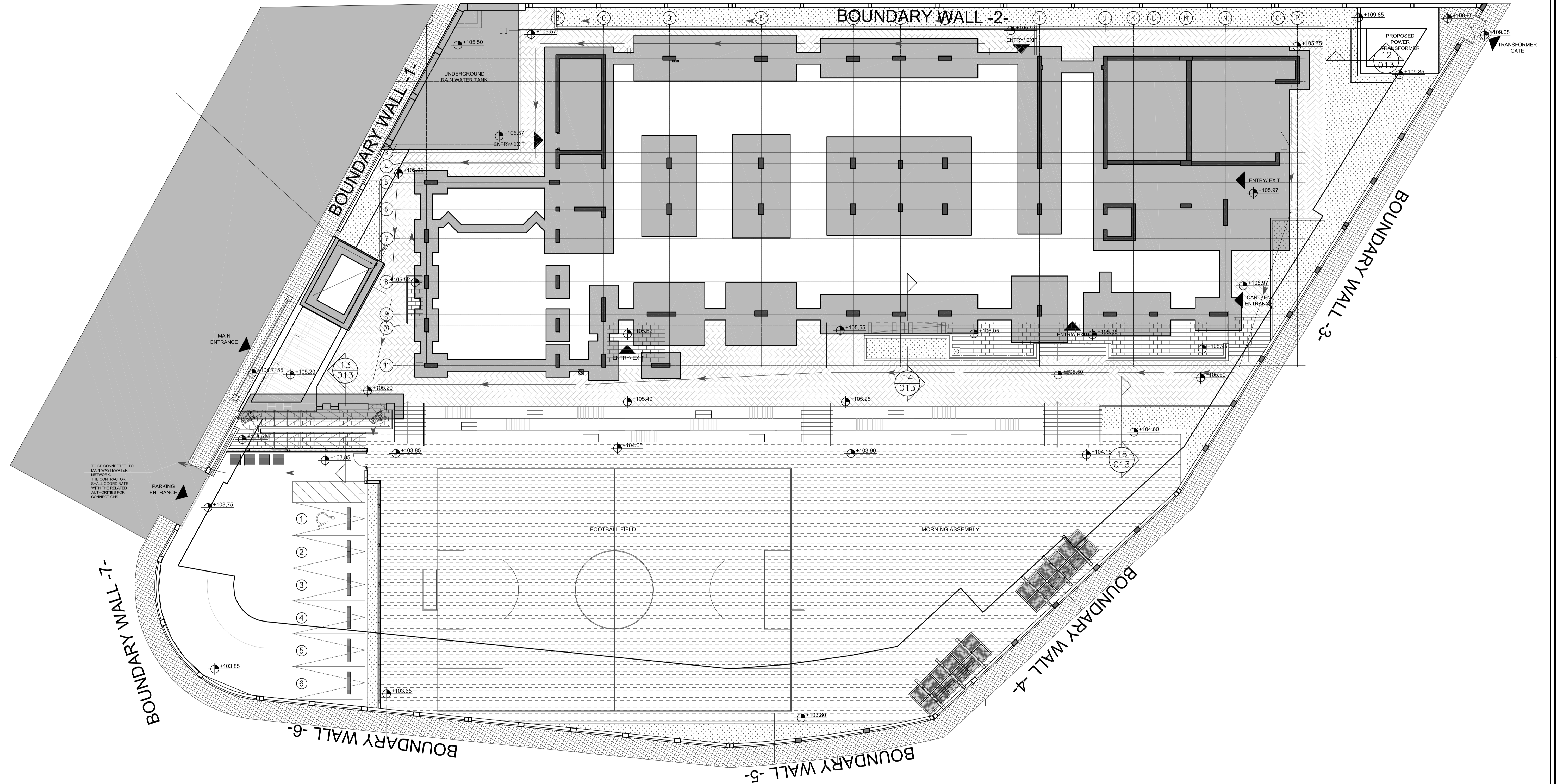
PHASE III  
PACKAGE 2

Thahr Al Sarow Basic School For Boys  
(Jerash)  
SCHOOLS FOR A KNOWLEDGE ECONOMY  
PROJECT (USAID SKEP)

DRAWING NAME:		GENERAL STRUCTURAL NOTES	
PLOT No	LOCATION	BASIN NO	DRAWING NUMBER:
435	Thahr Al Sarow	4 Dair Alliat	SKEP-14-SG001

Design:	Drawn:	Checked:	North :
K.S.	CAD	R.K	
SCALE :	Date:	Approved:	
N.T.S.	JUNE 2019	I.K.	
DRAWING NUMBER:		Rev.:	
SKEP-14-SG001		0	

تم التصميم حسب الكودات المعمدة  
بموجب التعليمات الفنية السارية  
مكتب رقم - ٥

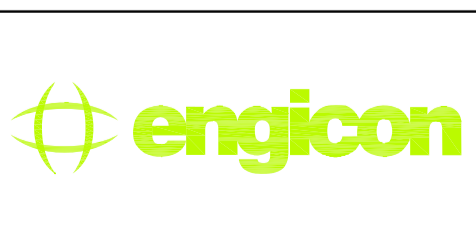


REV.	DATE	REMARKS
0	JUNE 2019	VOL. IV - TENDER DRAWINGS

NOTES:  
1- FOR SITE STRUCTURAL DETAILS OF PARAPETS, RAMPS, SLABS ON GRADE, etc. REFER TO ARCHITECTURAL BOOK OF DETAILS AND SITE.  
2- FOR FOOTINGS OF SITE STRUCTURES, THE MINIMUM EMBEDMENT DEPTH SHOULD NOT BE LESS THAN 1.5M BELOW THE LOWEST LEVEL OF GROUND SURROUNDING THE STRUCTURE.



**USAID**  
FROM THE AMERICAN PEOPLE



PHASE III  
PACKAGE 2

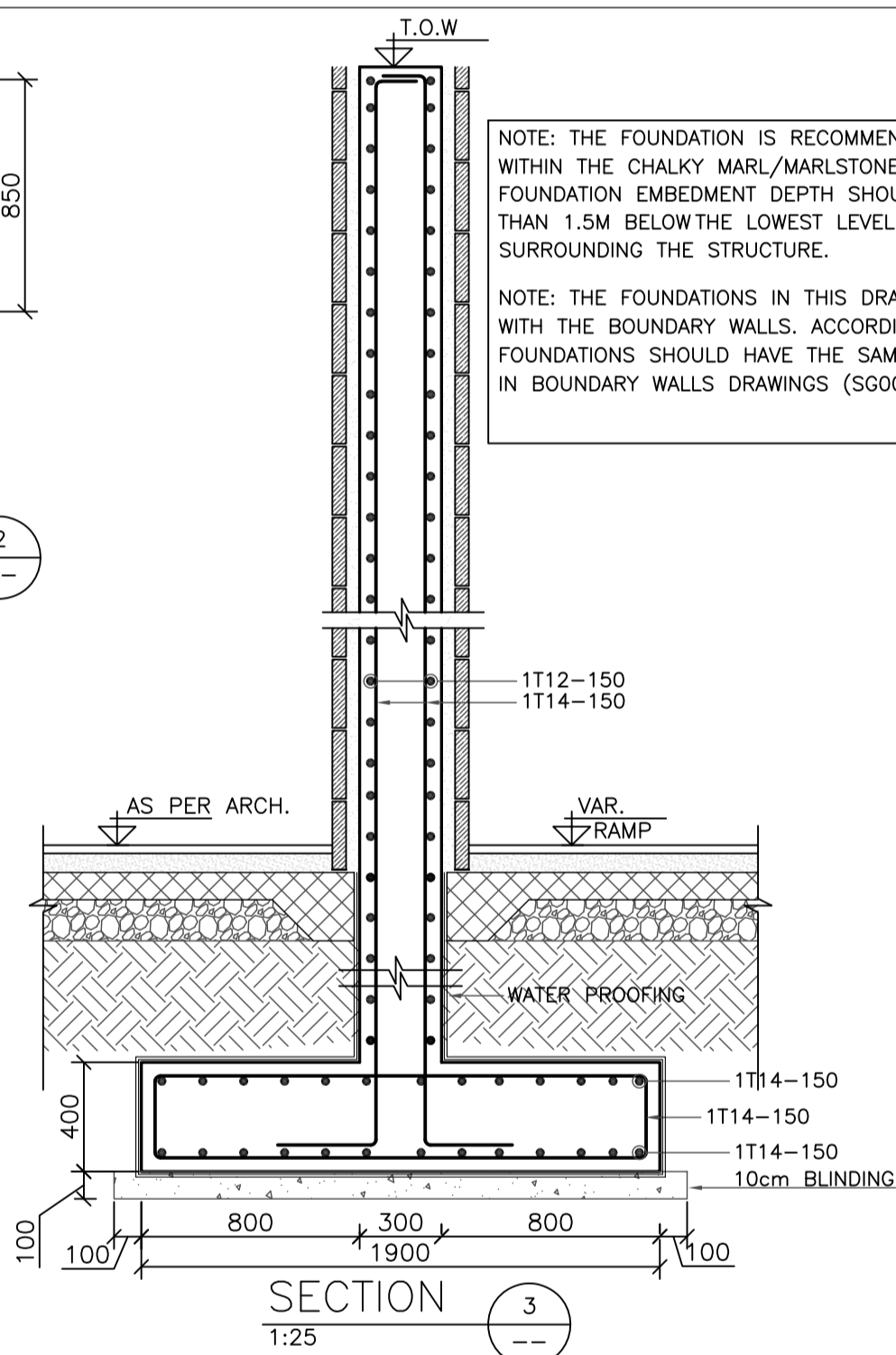
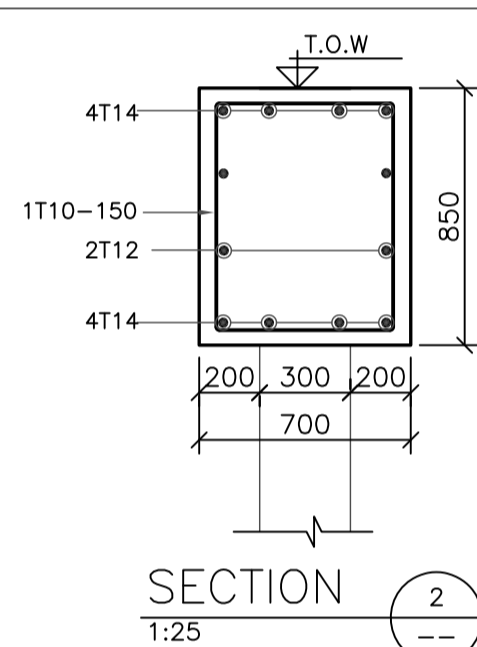
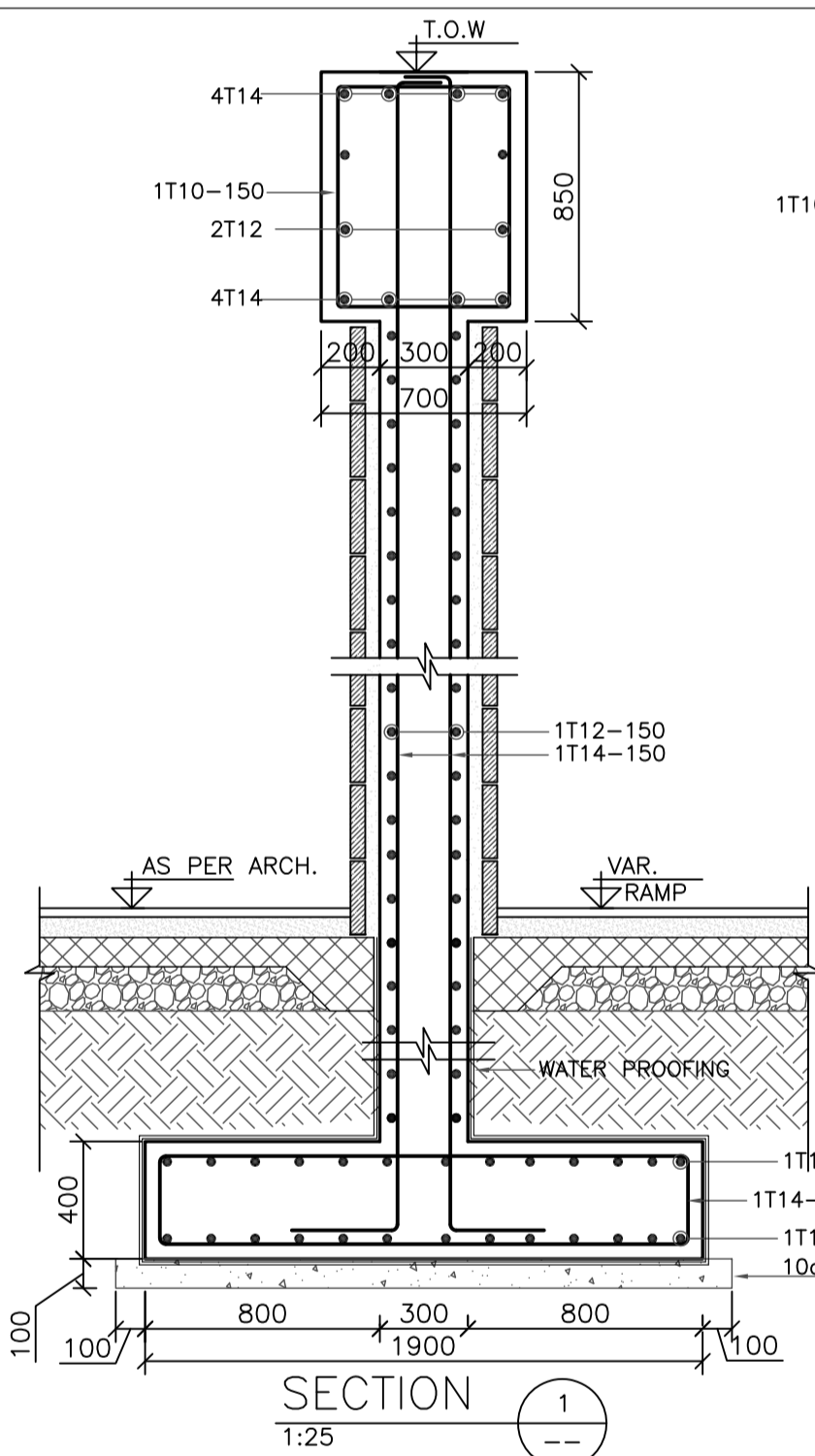
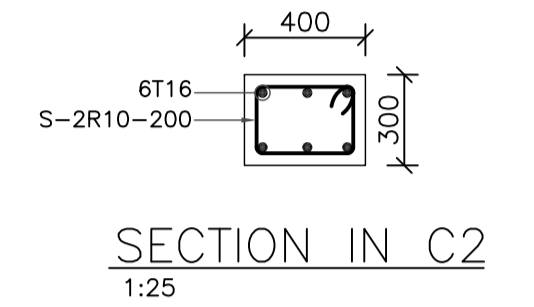
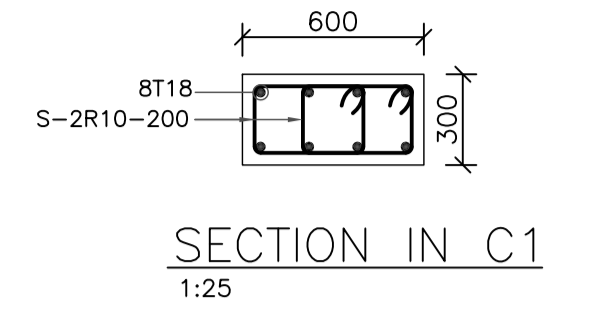
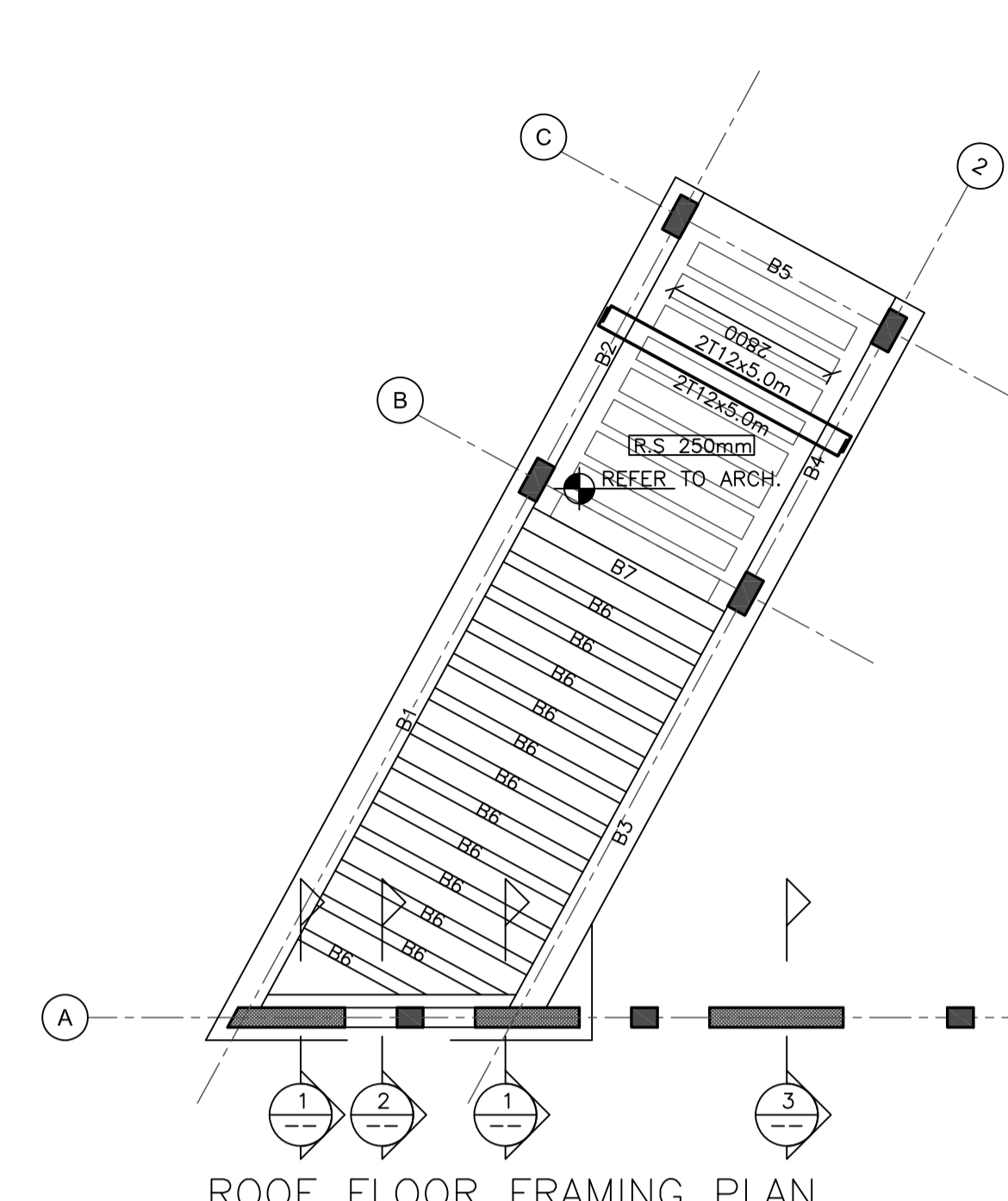
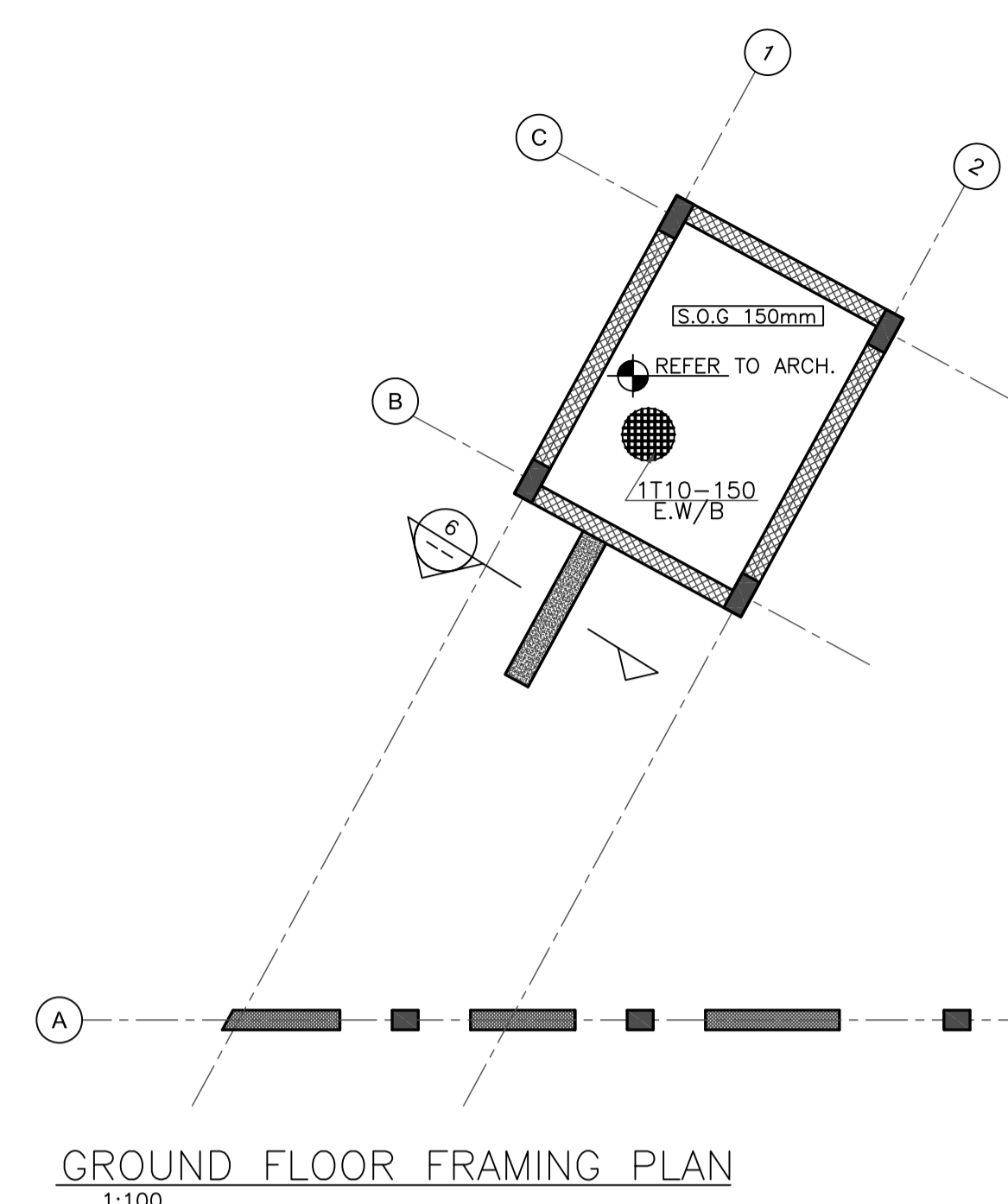
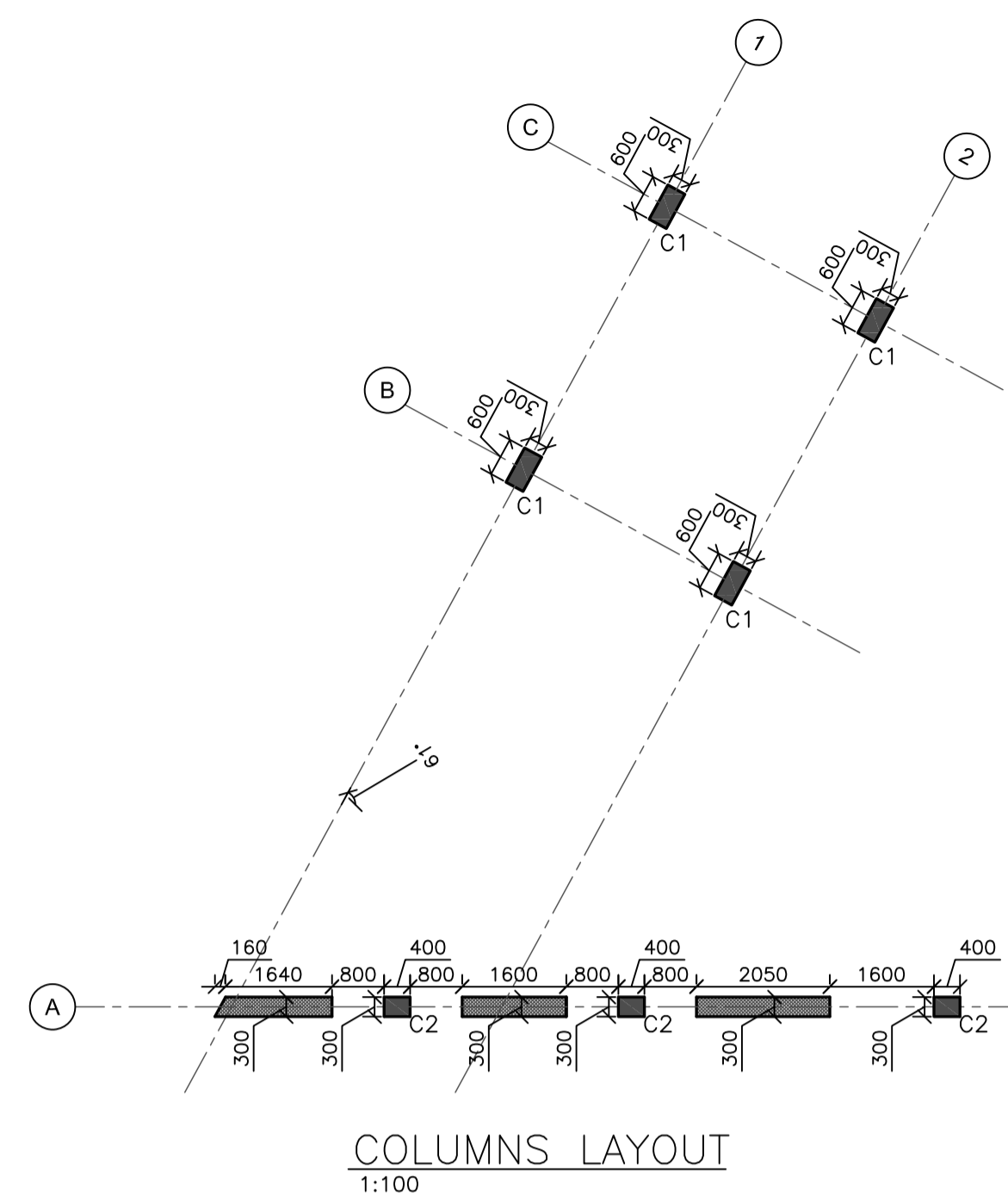
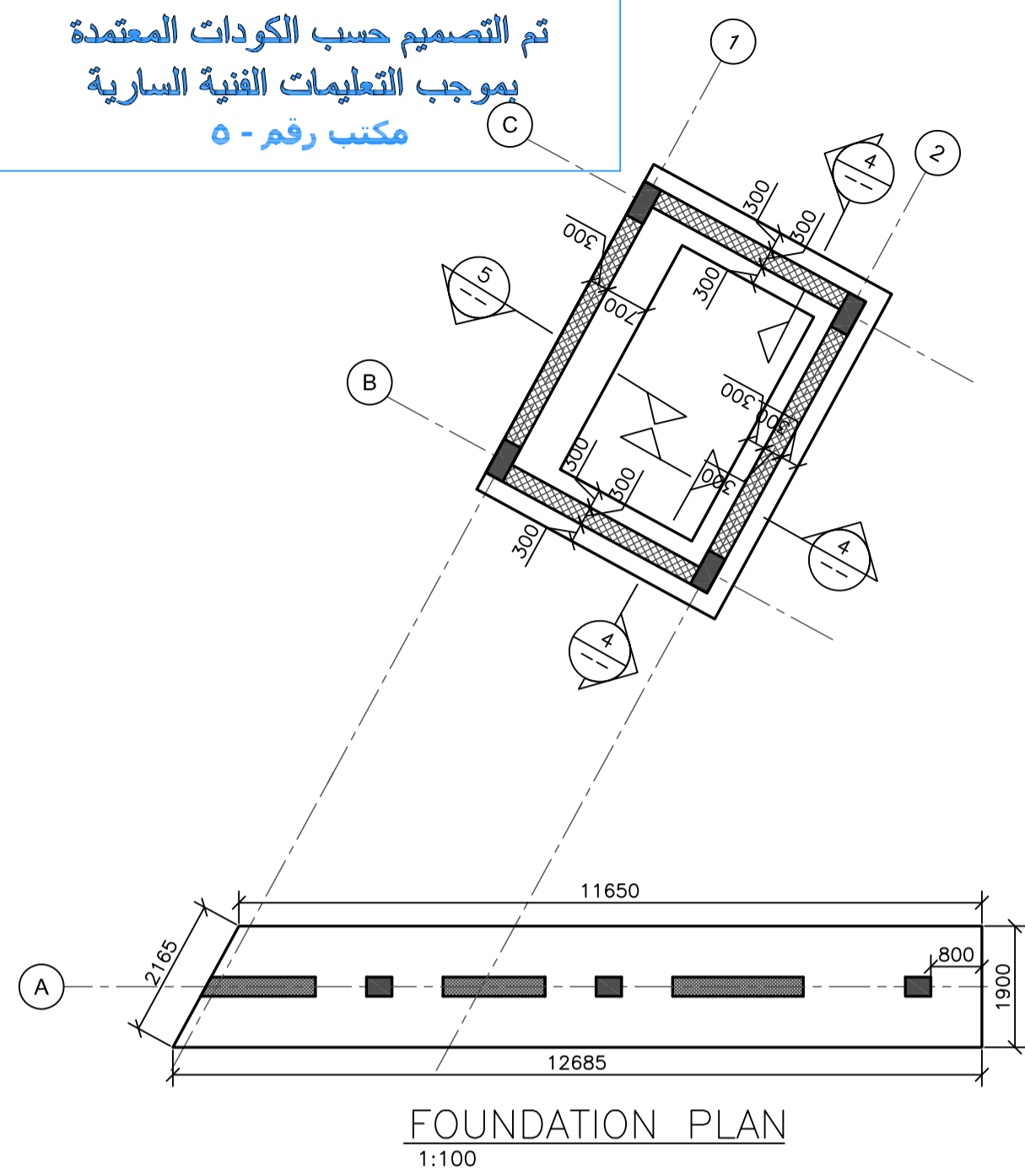
Thahr Al Sarow Basic School For Boys  
(Jerash)  
SCHOOLS FOR A KNOWLEDGE ECONOMY  
PROJECT (USAID SKEP)

DRAWING NAME:  
SITE PLAN WITH FOUNDATION LIMIT

Design:	K.S.	Drawn:	CAD	Checked:	R.K	North:	
SCALE:	1:150	Date:	JUNE 2019	Approved:	I.K.	Rev.:	
DRAWING NUMBER:	SKEP-14-SG002						

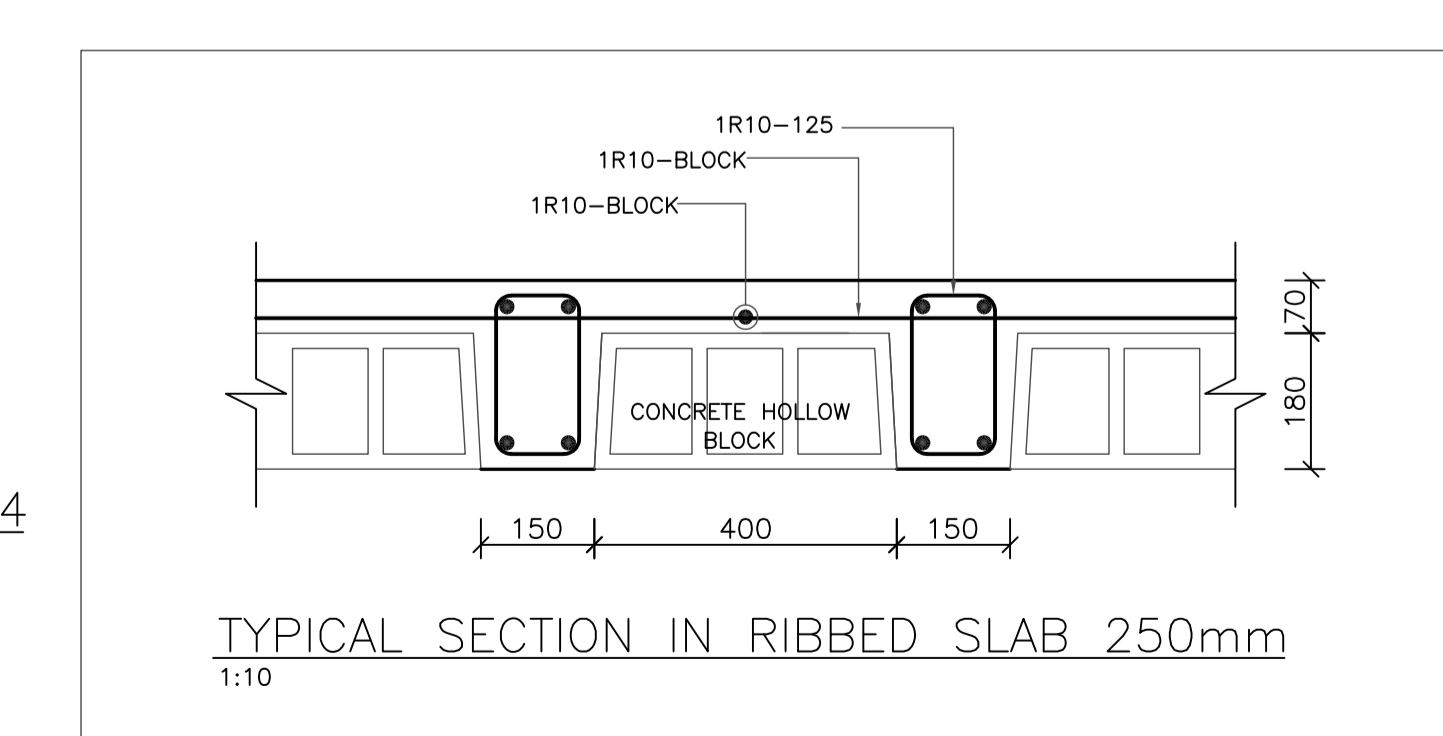
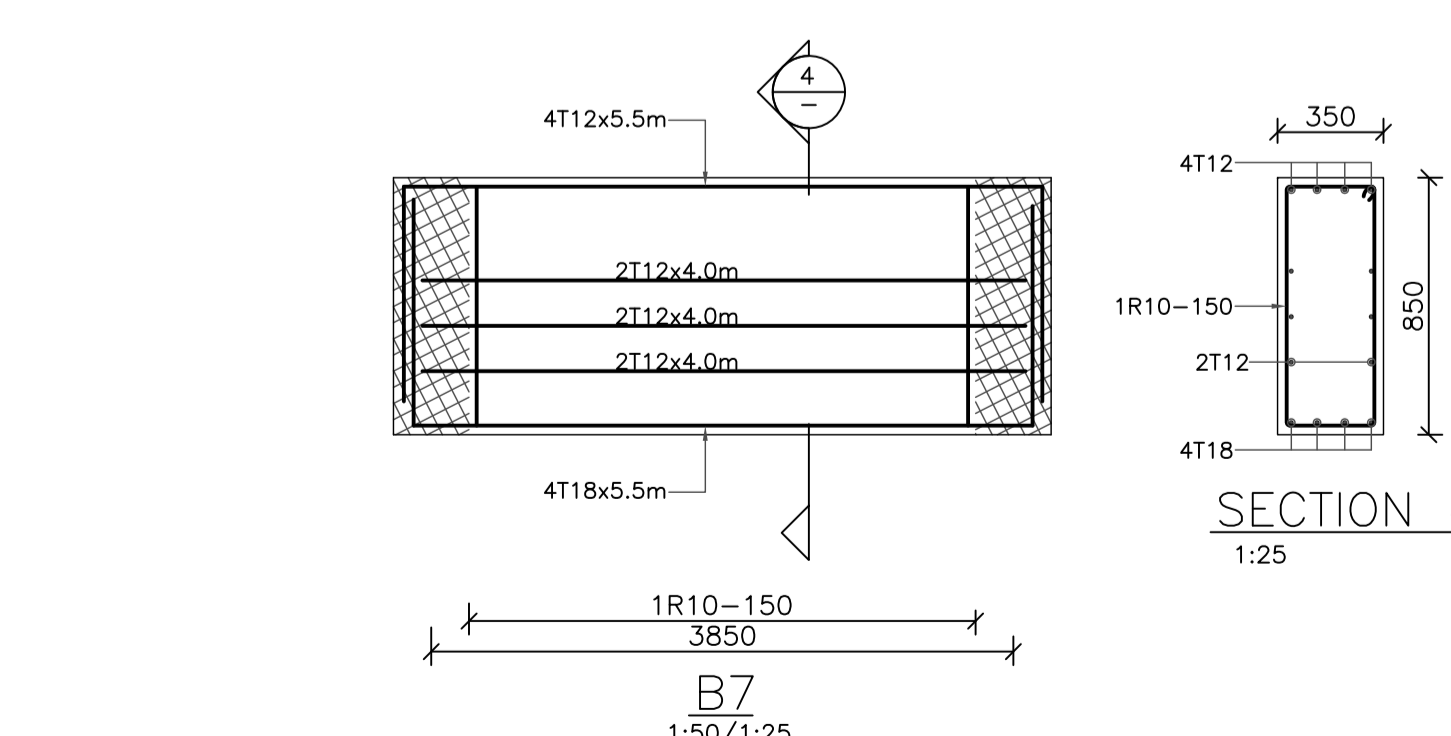
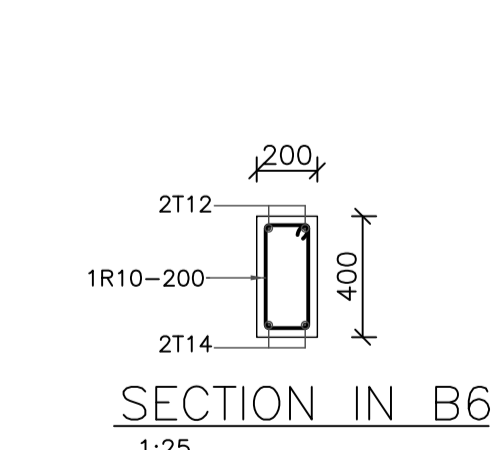
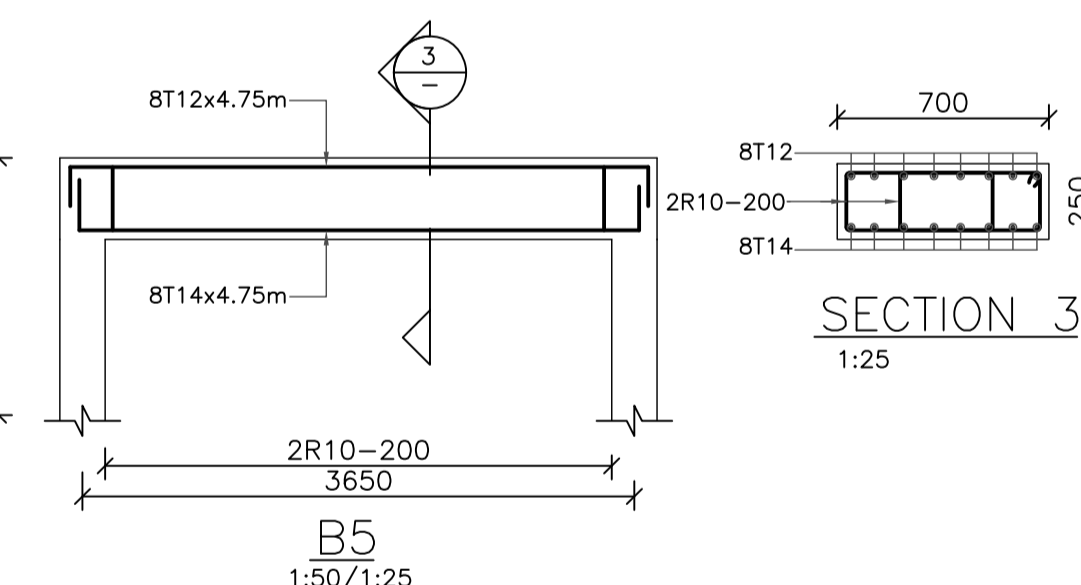
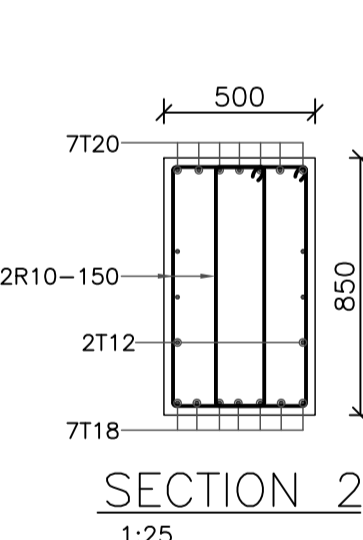
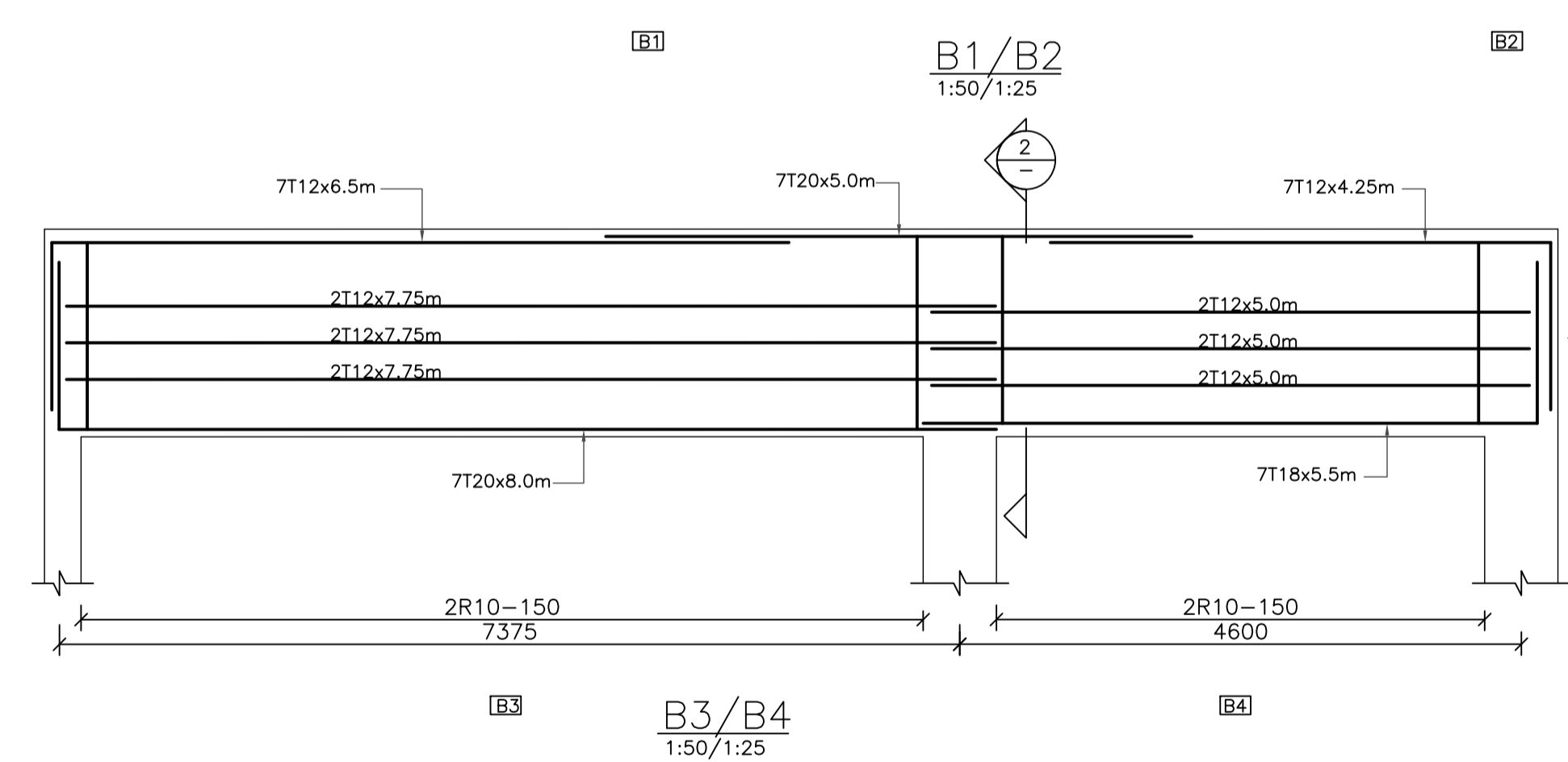
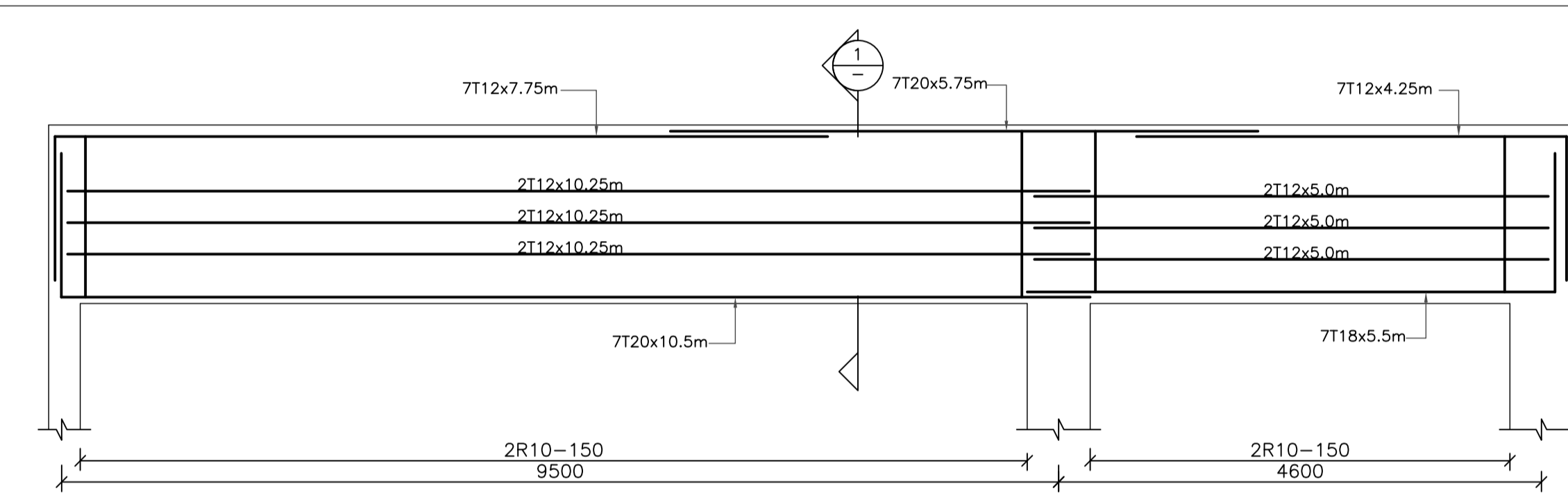
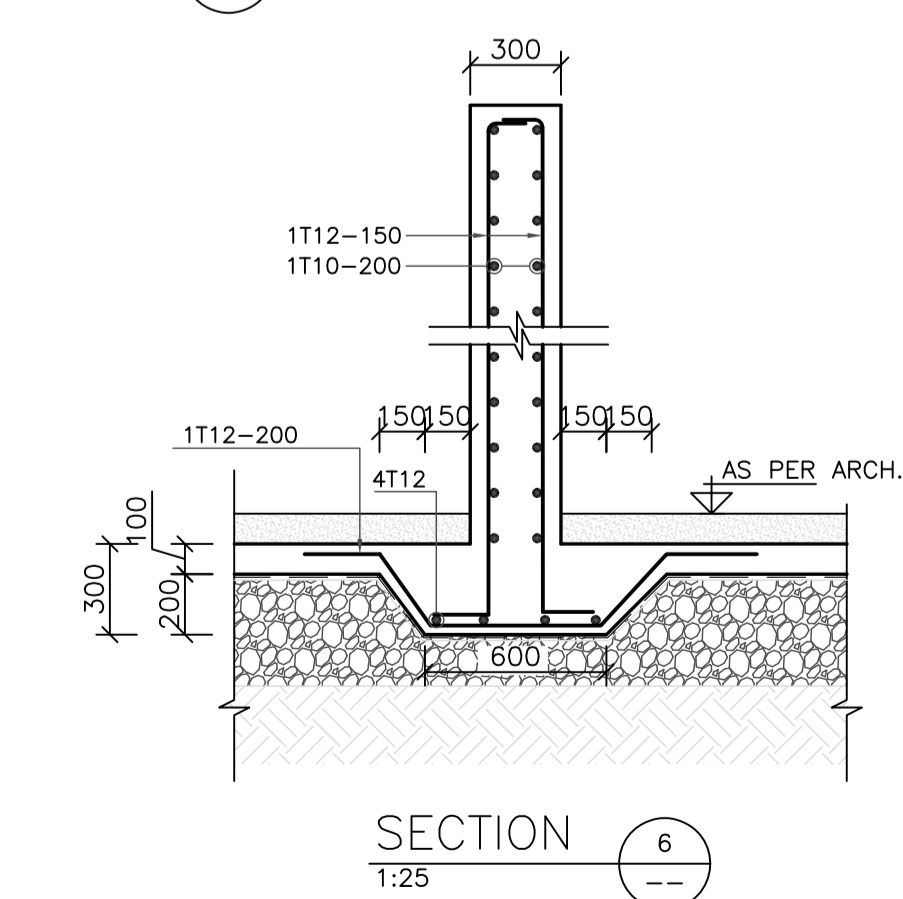
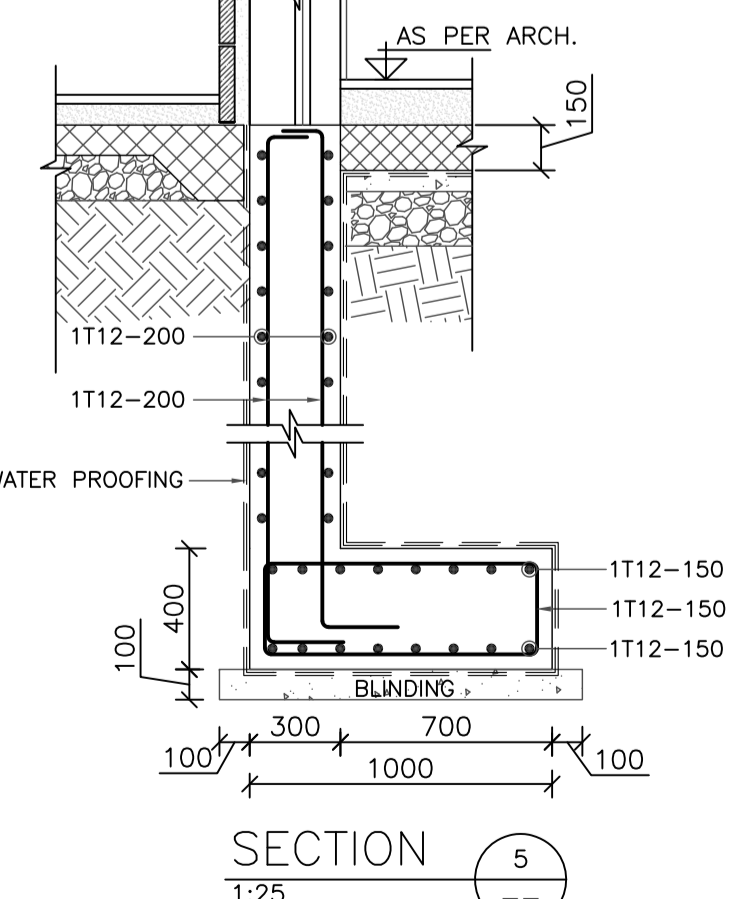
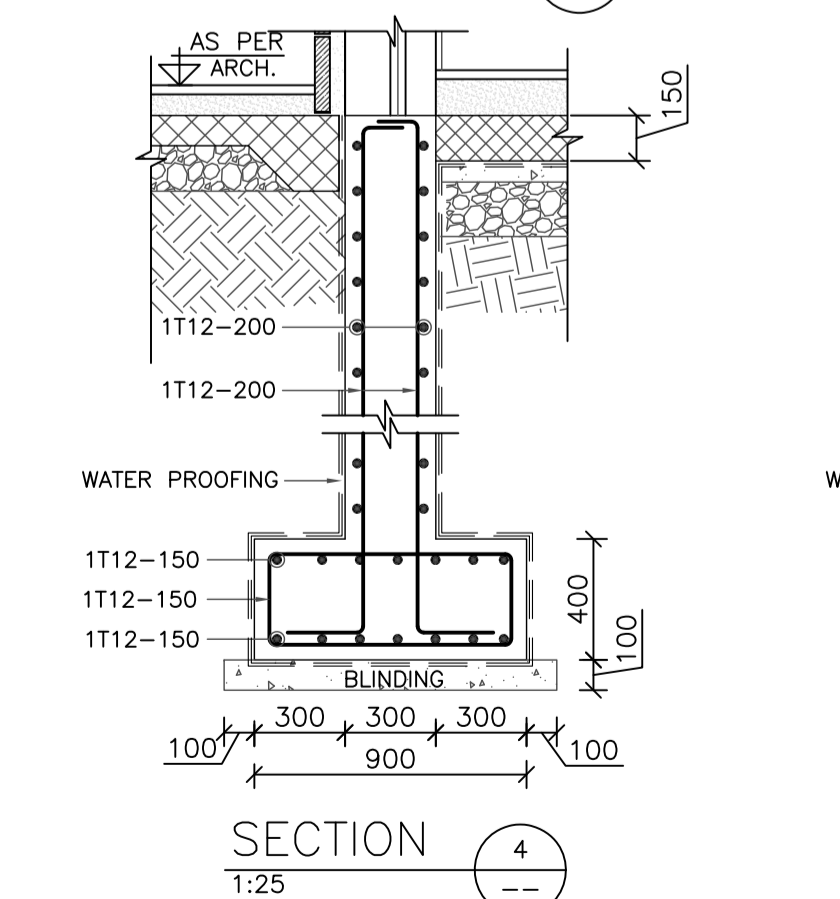
PLOT No	LOCATION	BASIN NO
435	Thahr Al Sarow	4 Dair Alliat

تم التصميم حسب الكودات المعمدة بموجب التعليمات الفنية السارية مكتب رقم - 0



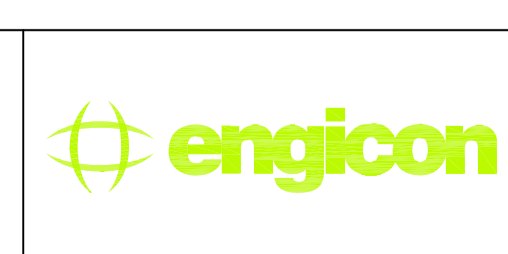
NOTE: THE FOUNDATION IS RECOMMENDED TO BE LAID WITHIN THE CHALKY MARL/MARLSTONE BUT THE MINIMUM FOUNDATION EMBEDMENT DEPTH SHOULD NOT BE LESS THAN 1.5M BELOW THE LOWEST LEVEL OF GROUND SURROUNDING THE STRUCTURE.

NOTE: THE FOUNDATIONS IN THIS DRAWING MAY CONNECT WITH THE BOUNDARY WALLS. ACCORDINGLY, THE TWO FOUNDATIONS SHOULD HAVE THE SAME DEPTH INDICATED IN BOUNDARY WALLS DRAWINGS (S6005 TO S6013).



REV.	DATE	REMARKS
0	JUNE 2019	VOL. IV - TENDER DRAWINGS

NOTES:

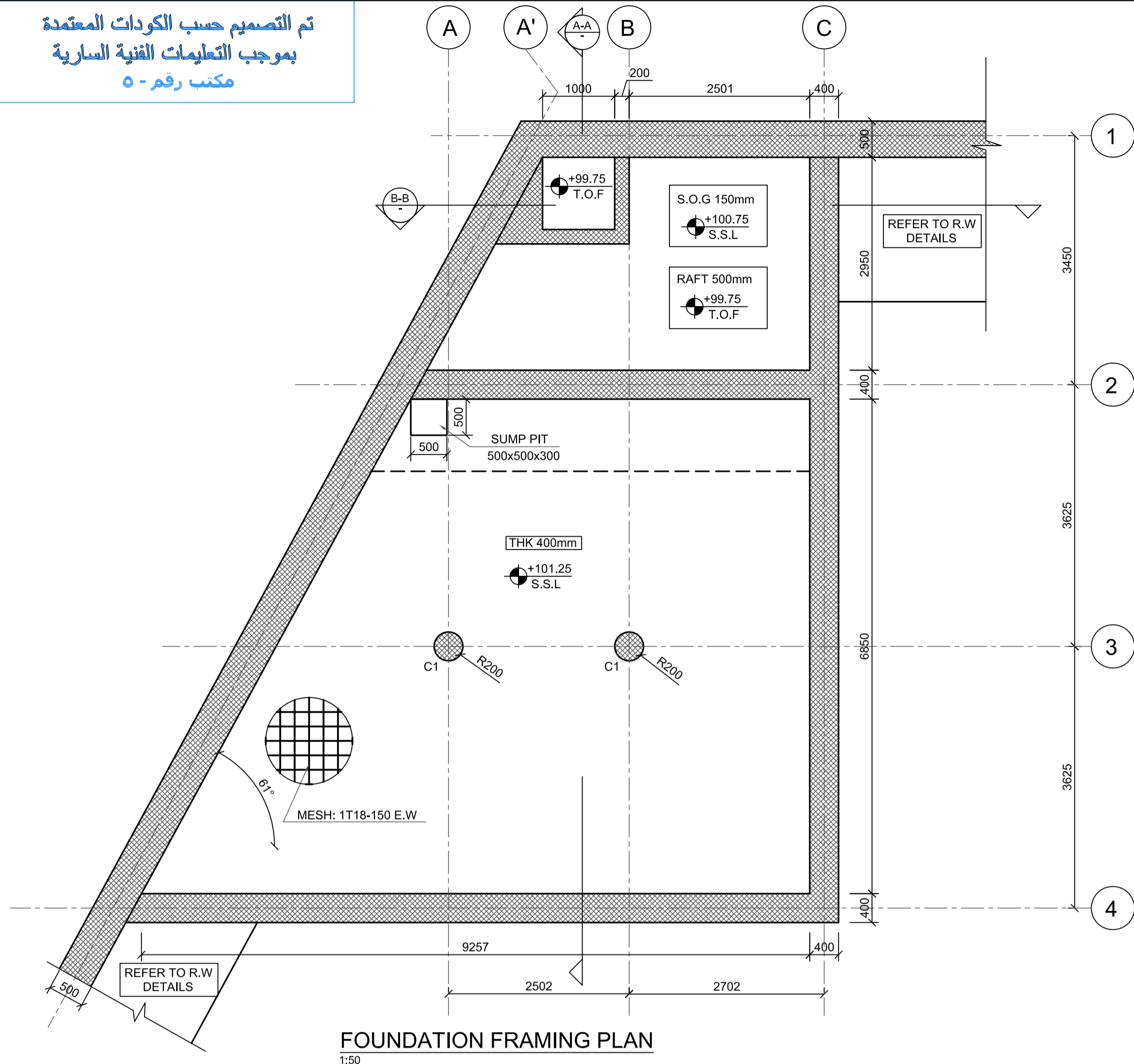


PHASE III  
PACKAGE 2  
Thahr Al Sarow Basic School For Boys (Jerash)  
SCHOOLS FOR A KNOWLEDGE ECONOMY PROJECT (USAID SKEP)

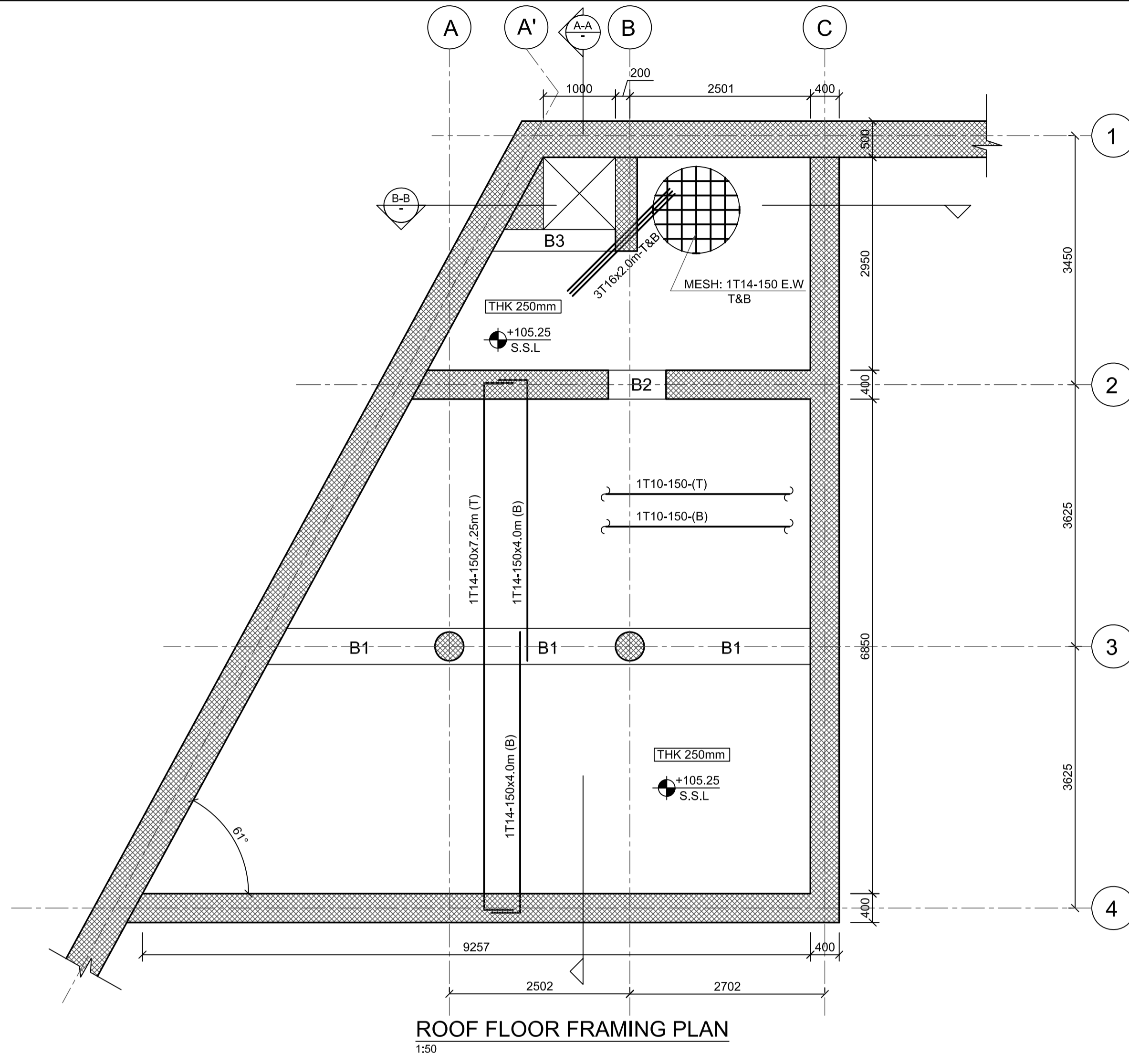
DRAWING NAME:  
GUARD HOUSE STRUCTURAL DETAILS

Design: K.S.  
Drawn: CAD  
Checked: R.K.  
Scale: AS SHOWN  
Date: JUNE 2019  
Approved: I.K.  
Drawing Number: SKEP-14-SG003  
North: [North Arrow]

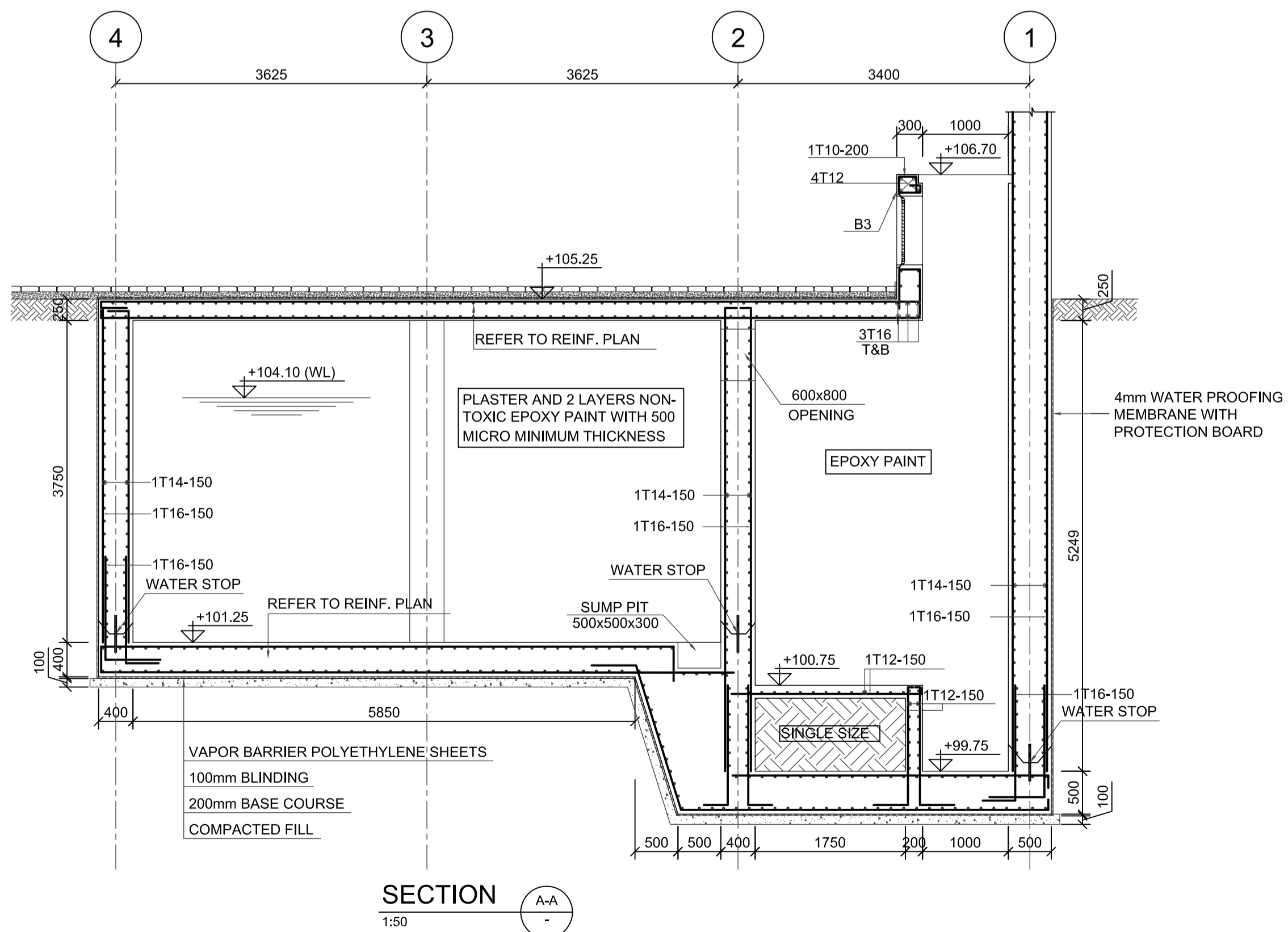
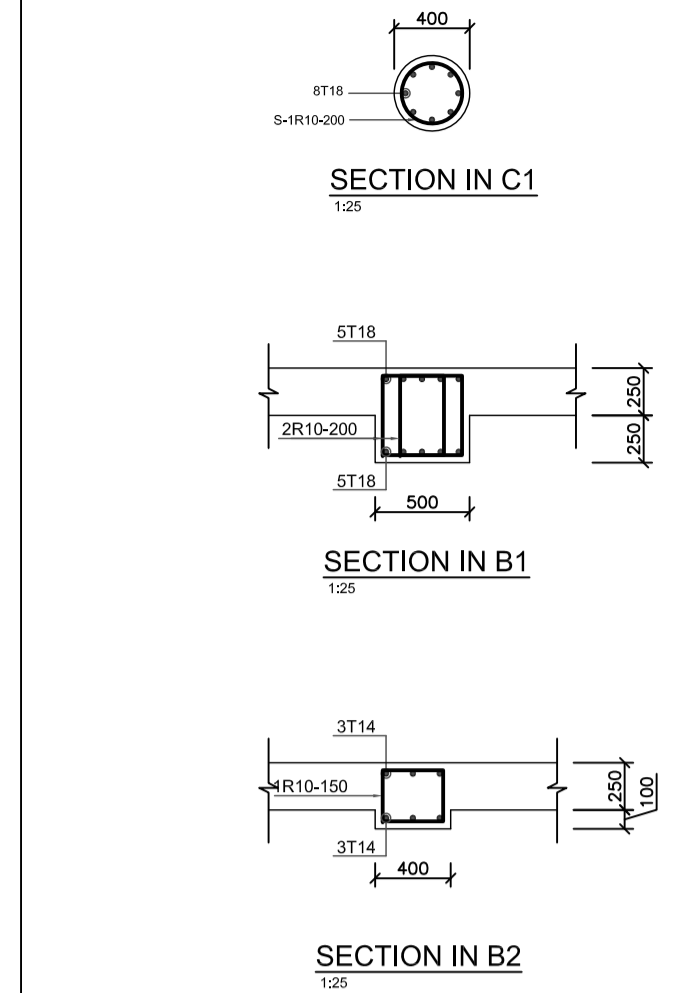
تم التصميم حسب الكودات المعمدة بموجب التعليمات الفنية السارية مكتب رقم - 0



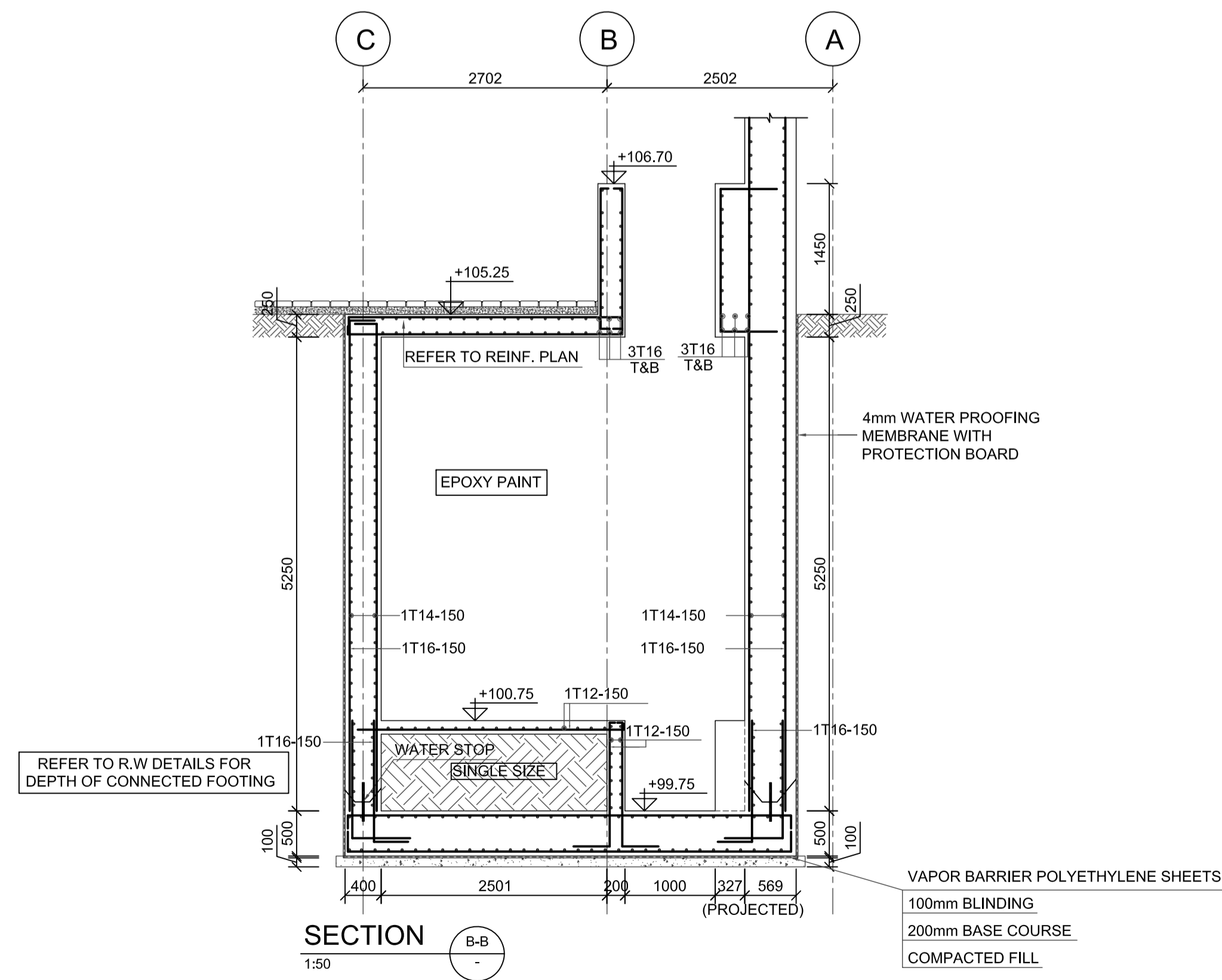
FOUNDATION FRAMING PLAN  
1:50



ROOF FLOOR FRAMING PLAN  
1:50



SECTION A-A  
1:50



SECTION B-B  
1:50

REV.	DATE	REMARKS
0	JUNE 2019	VOL. IV - TENDER DRAWINGS

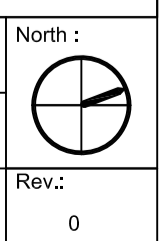
NOTES:



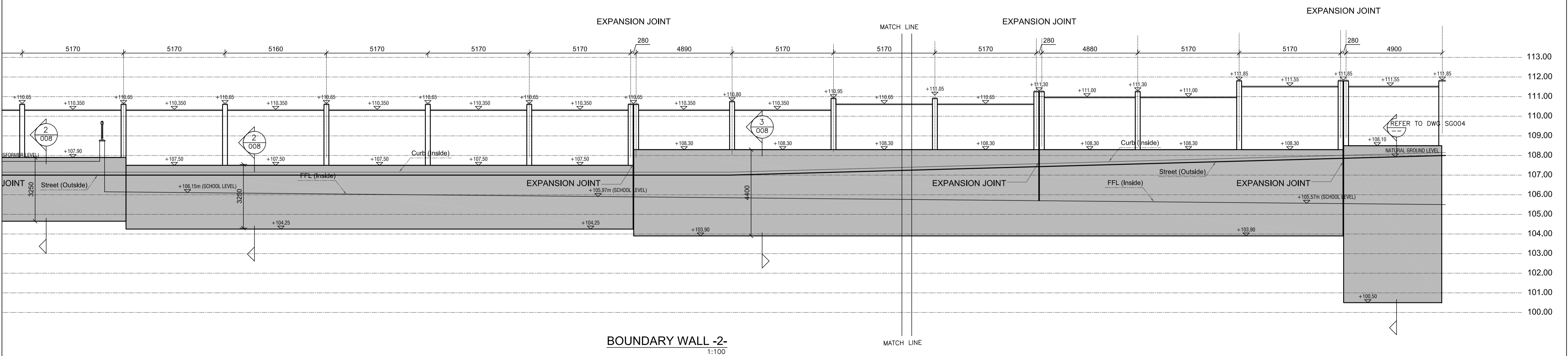
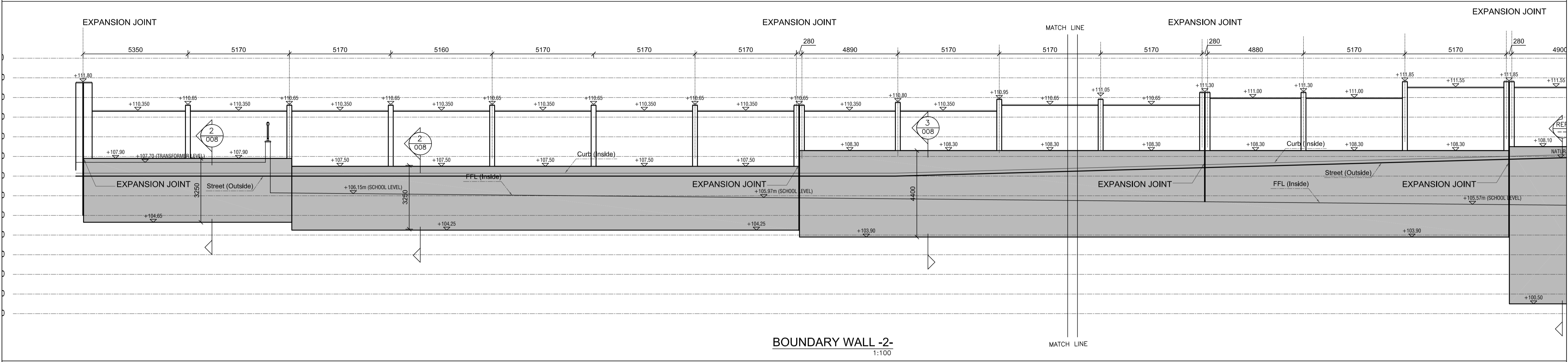
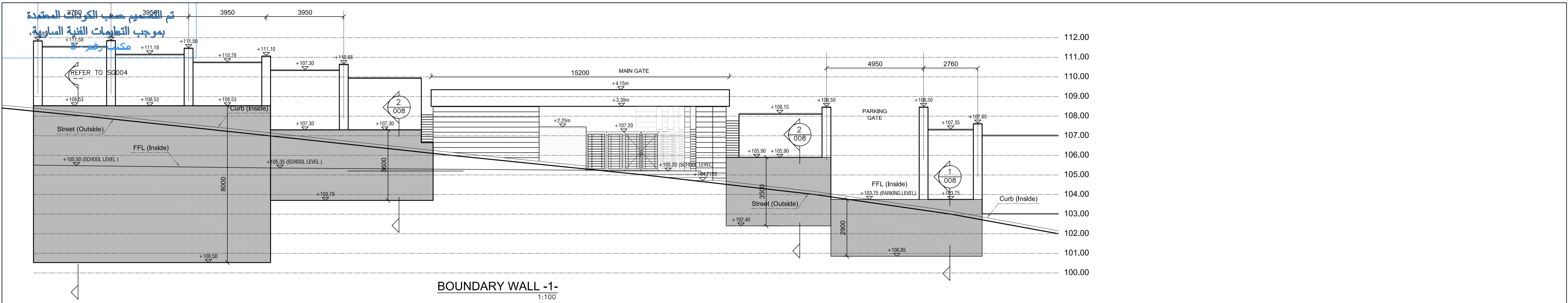
PHASE III  
PACKAGE 2  
Thahr Al Sarow Basic School For Boys (Jerash)  
SCHOOLS FOR A KNOWLEDGE ECONOMY PROJECT (USAID SKEP)

DRAWING NAME:  
UNDERGROUND WATER TANK STRUCTURAL DETAIL  
PLOT No 435  
LOCATION Thahr Al Sarow  
BASIN NO 4 Dair Alliat

Design: K.S.  
SCALE: A.SH  
DRAWING NUMBER: SKEP 14-SG004  
Drawn: CAD  
Date: JUNE 2019  
Checked: I.K.  
Approved: W.Z.  
Rev.: 0

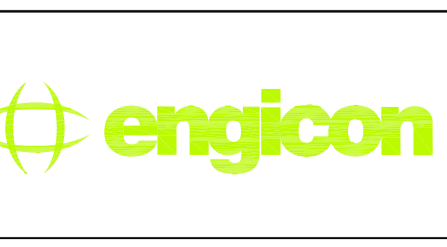


تم التصميم حسب الكروت المتعددة بموجب التطهيرات الفنية السابقة.  
مكتبة رقم 39581



REV.	DATE	REMARKS
0	JUNE 2019	VOL. IV - TENDER DRAWINGS

NOTES:



PHASE III  
PACKAGE 2

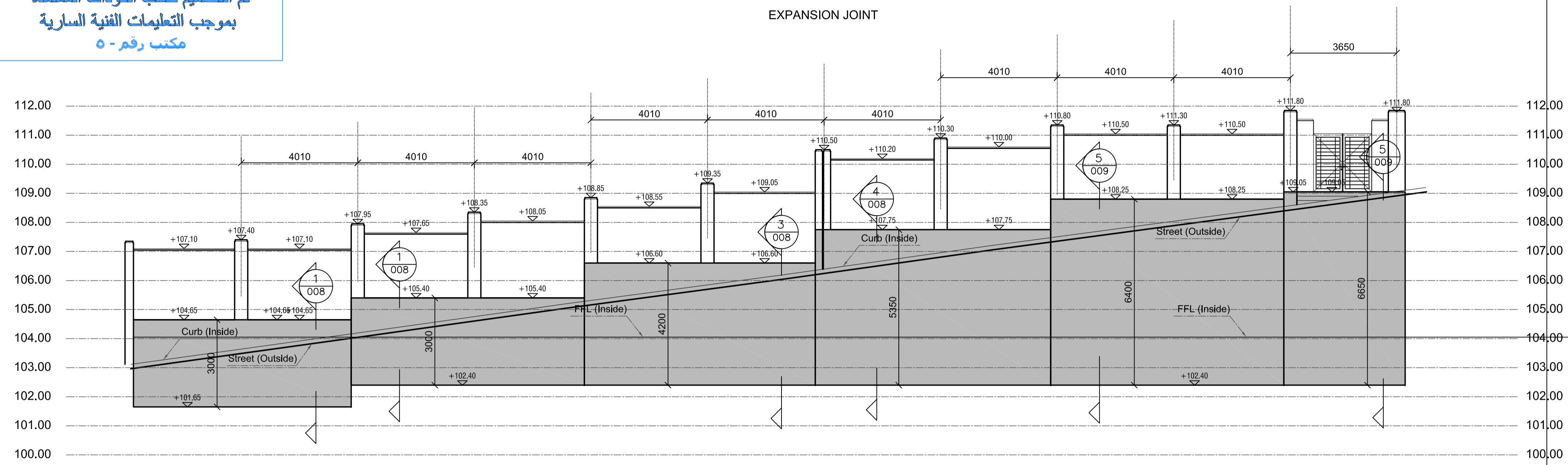
Thahr Al Sarow Basic School For Boys  
(Jerash)  
SCHOOLS FOR A KNOWLEDGE ECONOMY  
PROJECT (USAID SKEP)

DRAWING NAME:  
**BOUNDARY WALLS (1-2)  
ELEVATIONS**

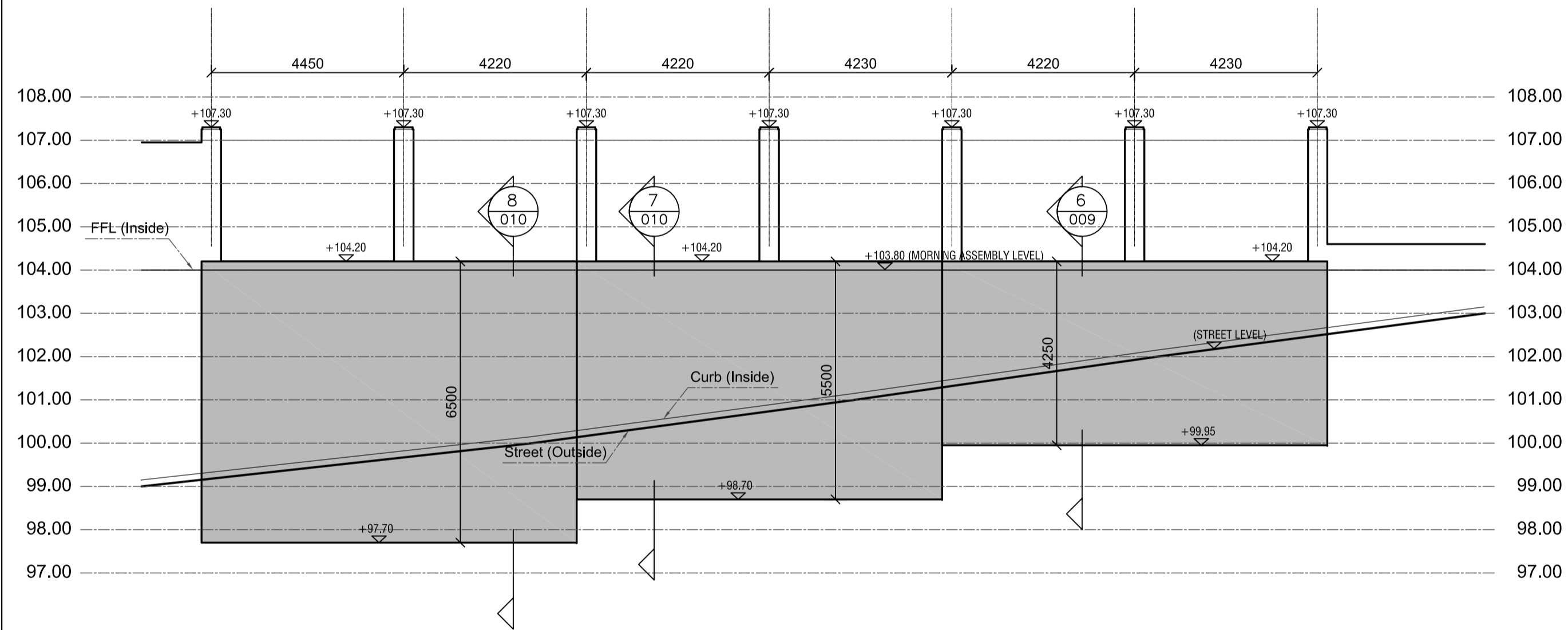
PLOT No 435 LOCATION Thahr Al Sarow BASIN NO 4 Dair Alliat

Design: K.S.	Drawn: CAD	Checked: I.K.	North:
SCALE: 1 : 100	Date: JUNE 2019	Approved: W.Z.	Rev.: 0
DRAWING NUMBER: <b>SKEP-14-SG005</b>			

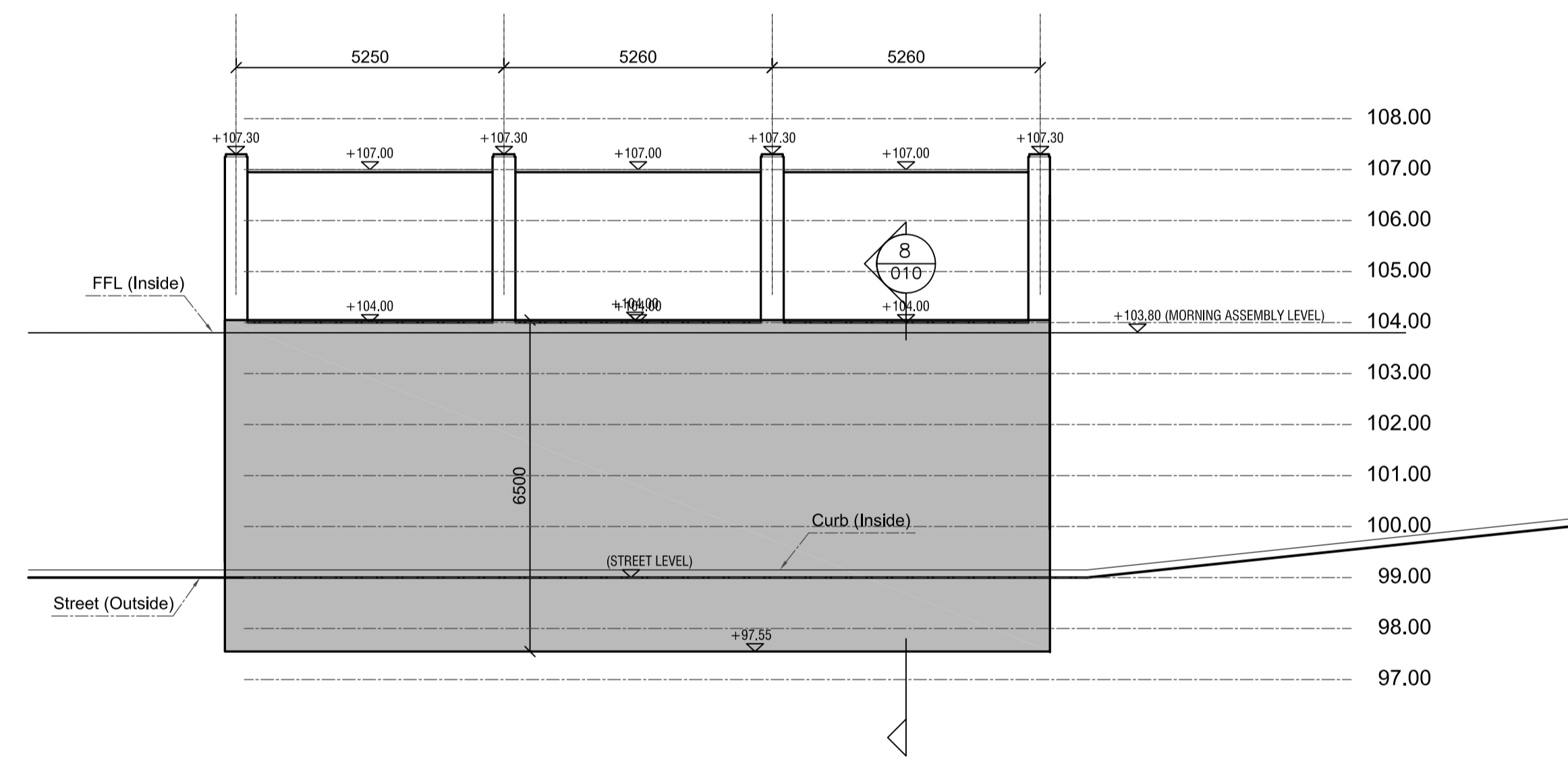
تم التصميم حسب الكودات المعممة  
بموجب التعليمات الفنية السارية  
مكتب رقم - ٥



BOUNDARY WALL -3-  
1:100



BOUNDARY WALL -4-  
1:100



BOUNDARY WALL -5-  
1:100

REV.	DATE	REMARKS
0	JUNE 2019	VOL. IV - TENDER DRAWINGS

NOTES:



**USAID**  
FROM THE AMERICAN PEOPLE



PHASE III  
PACKAGE 2

Thahr Al Sarow Basic School For Boys  
(Jerash)  
SCHOOLS FOR A KNOWLEDGE ECONOMY  
PROJECT (USAID SKEP)

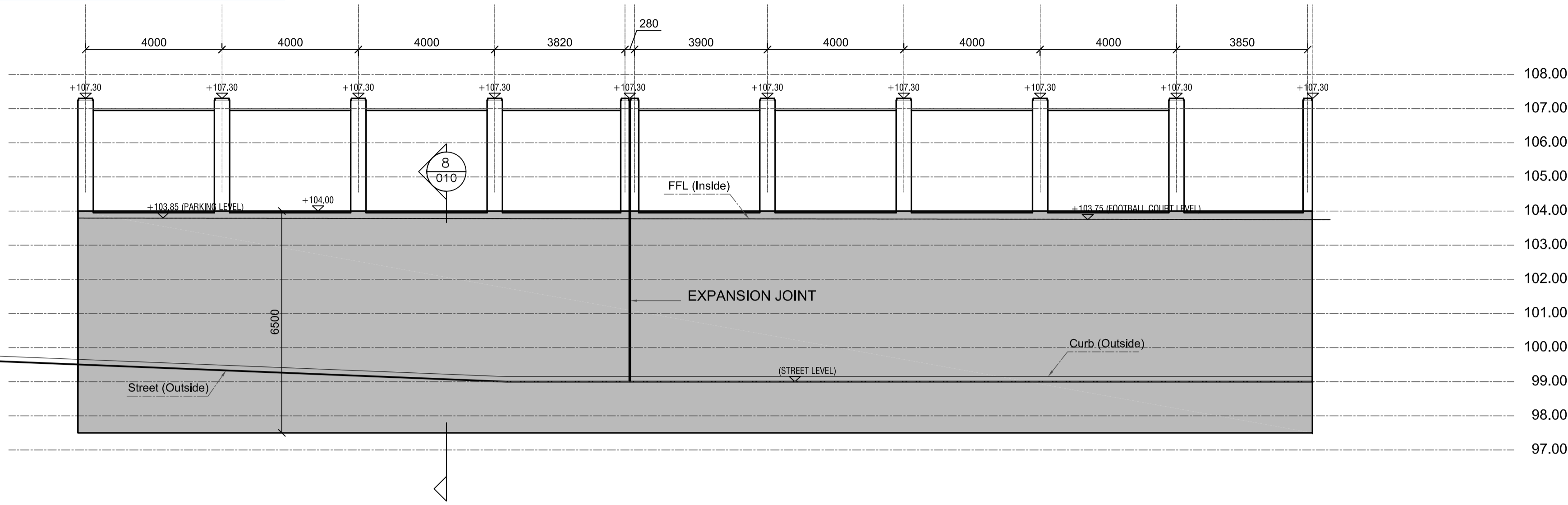
DRAWING NAME: <b>BOUNDARY WALLS (3-4-5) ELEVATIONS</b>		
Design: K.S.	Drawn: CAD	Checked: I.K.
SCALE: 1 : 100	Date: JUNE 2019	Approved: W.Z.
PLOT No: 435	LOCATION: Thahr Al Sarow	BASIN NO: 4 Dair Alliat

DRAWING NUMBER: <b>SKEP-14-SG006</b>
---

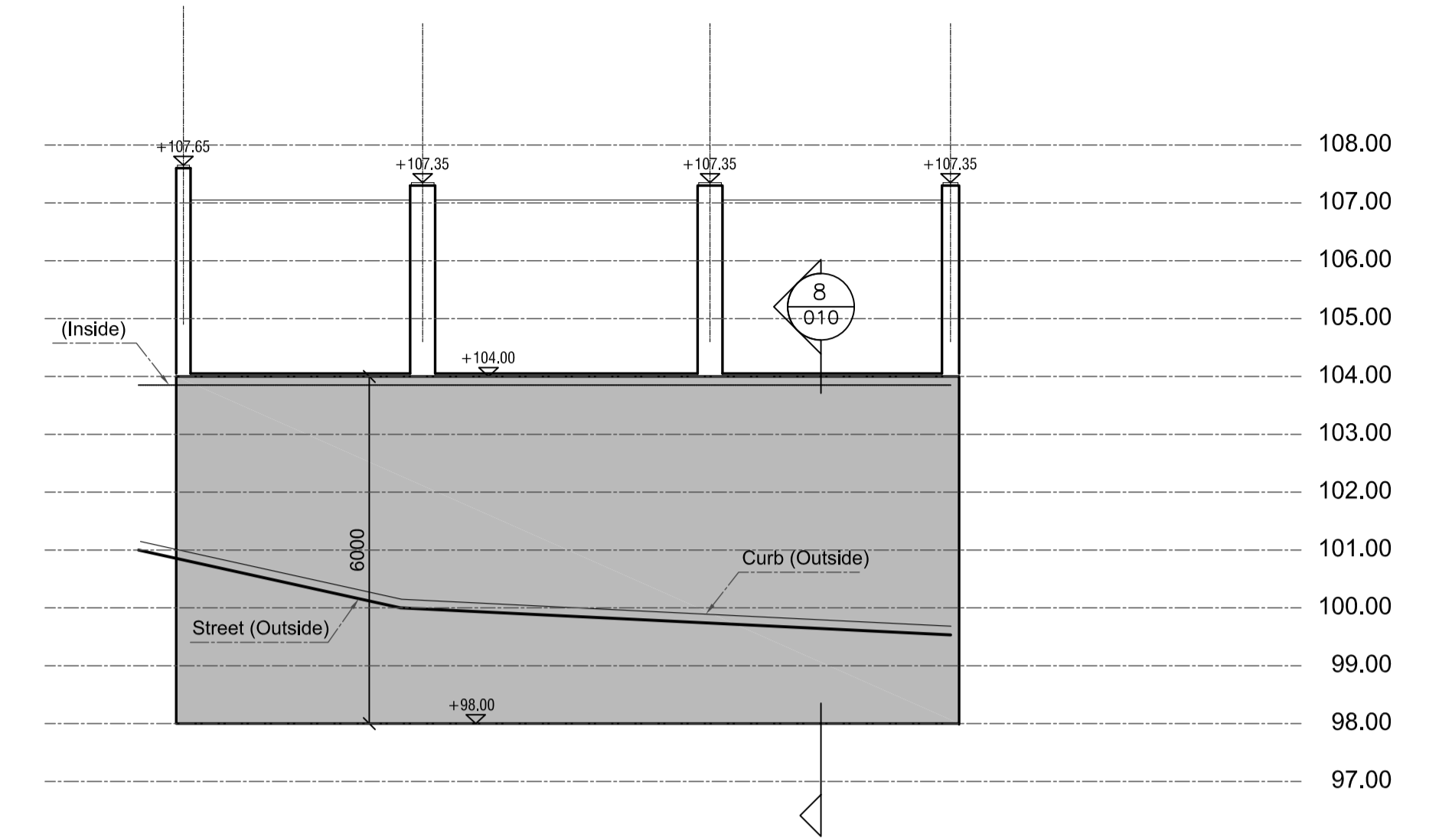
North :  
Rev.:  
0

تم التصميم حسب الكودات المعمدة  
بموجب التعليمات الفنية السارية  
مكتب رقم - ٥

EXPANSION JOINT



BOUNDARY WALL -6-  
1:100



BOUNDARY WALL -7-  
1:100

REV.	DATE	REMARKS
0	JUNE 2019	VOL. IV - TENDER DRAWINGS

NOTES:

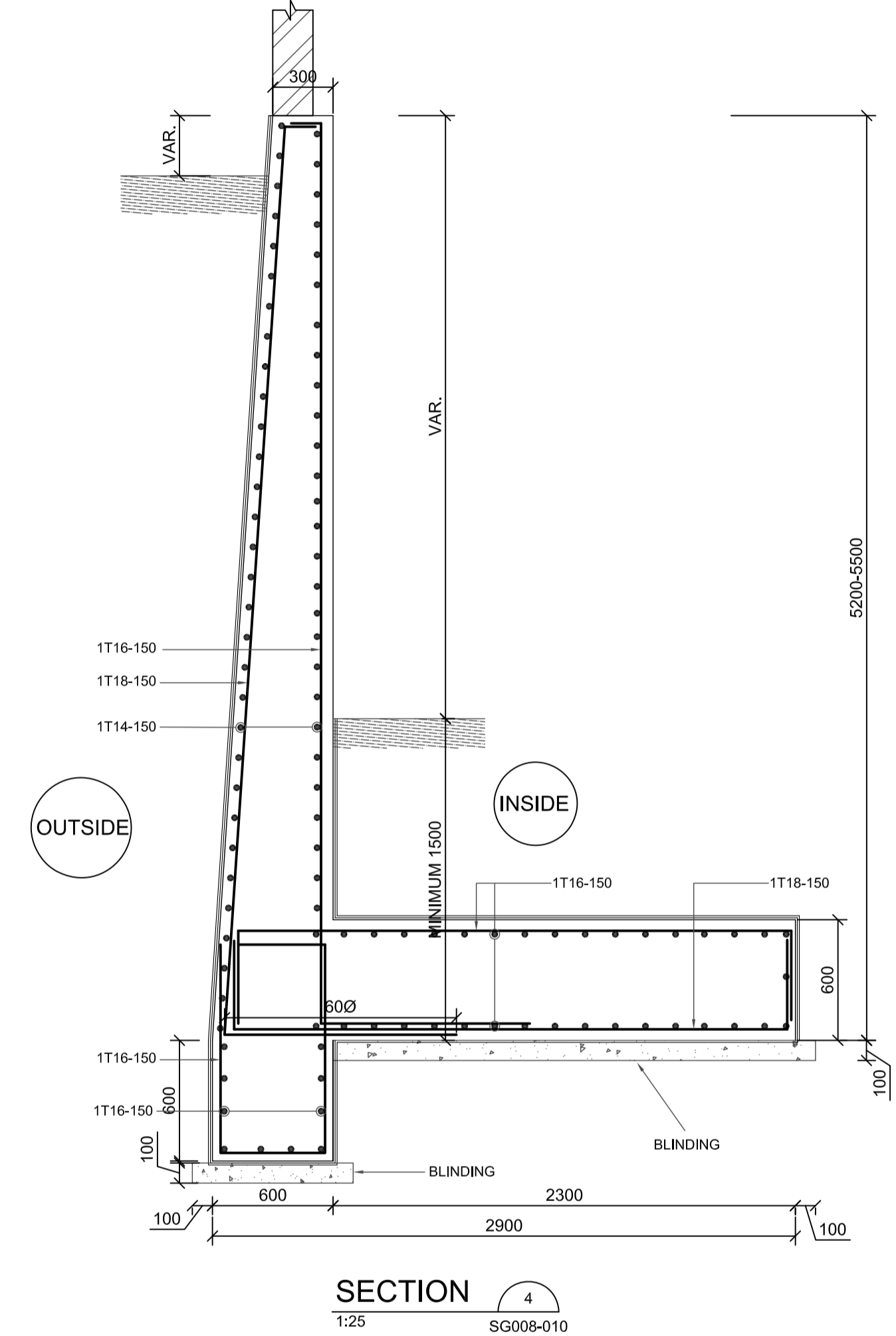
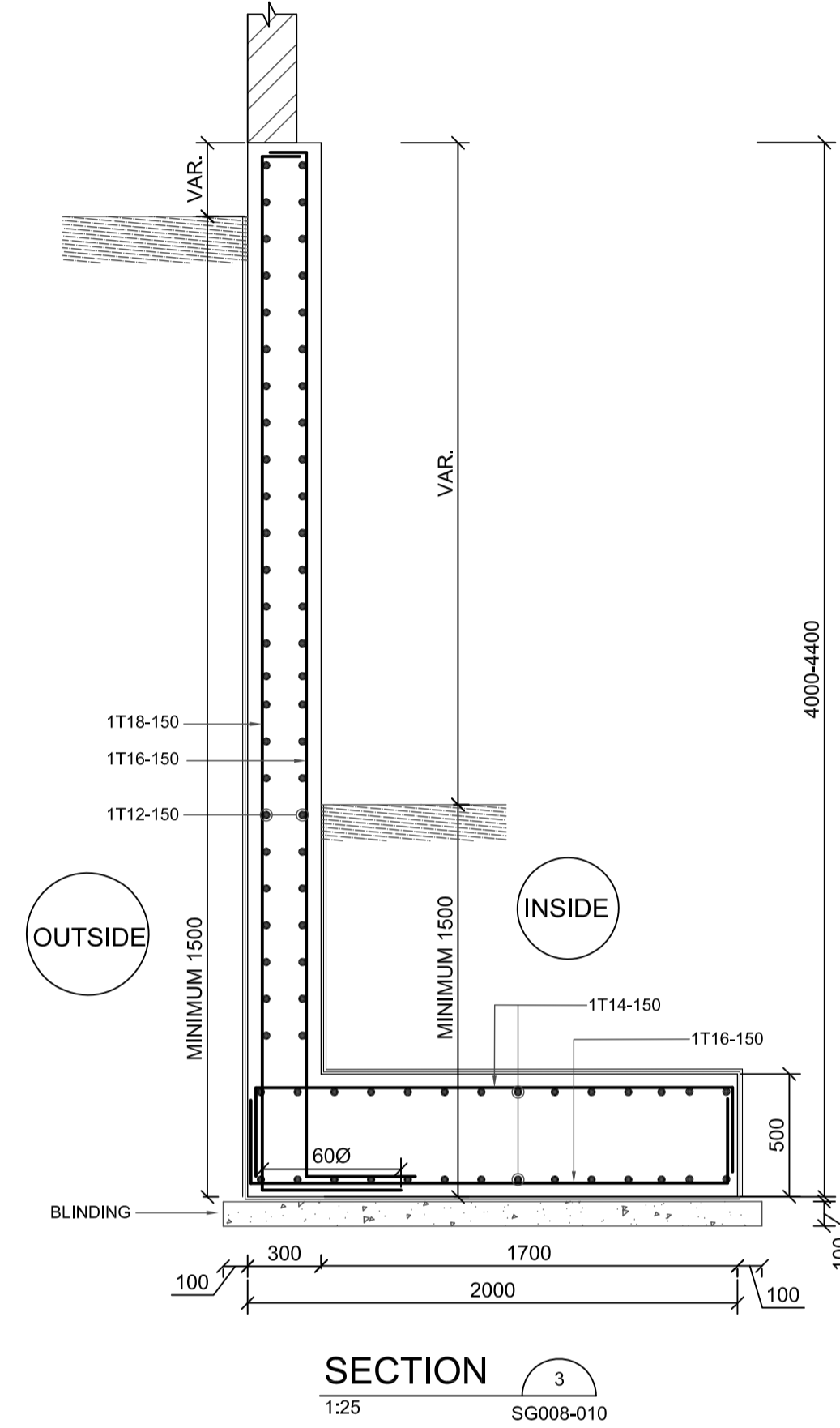
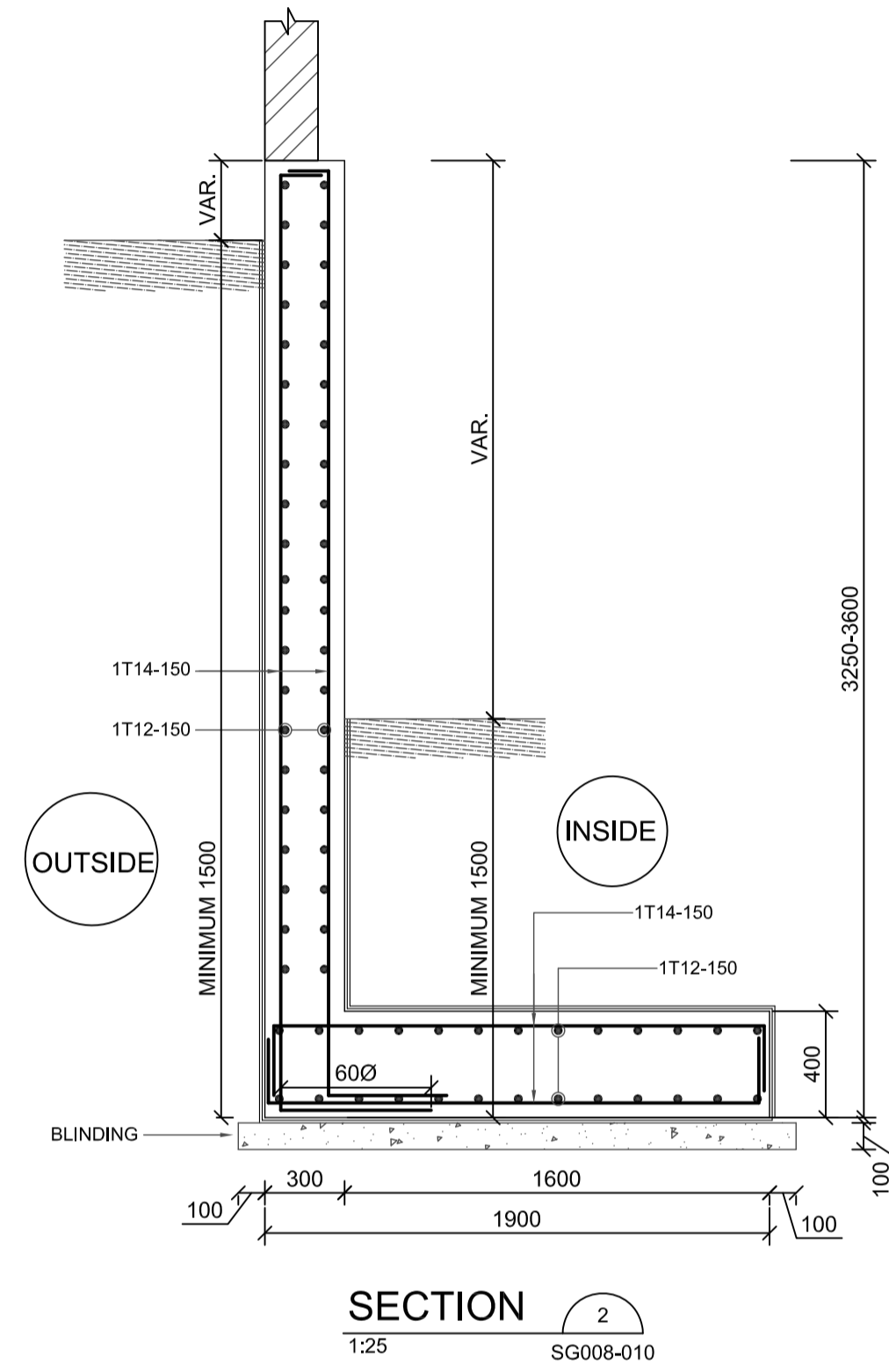
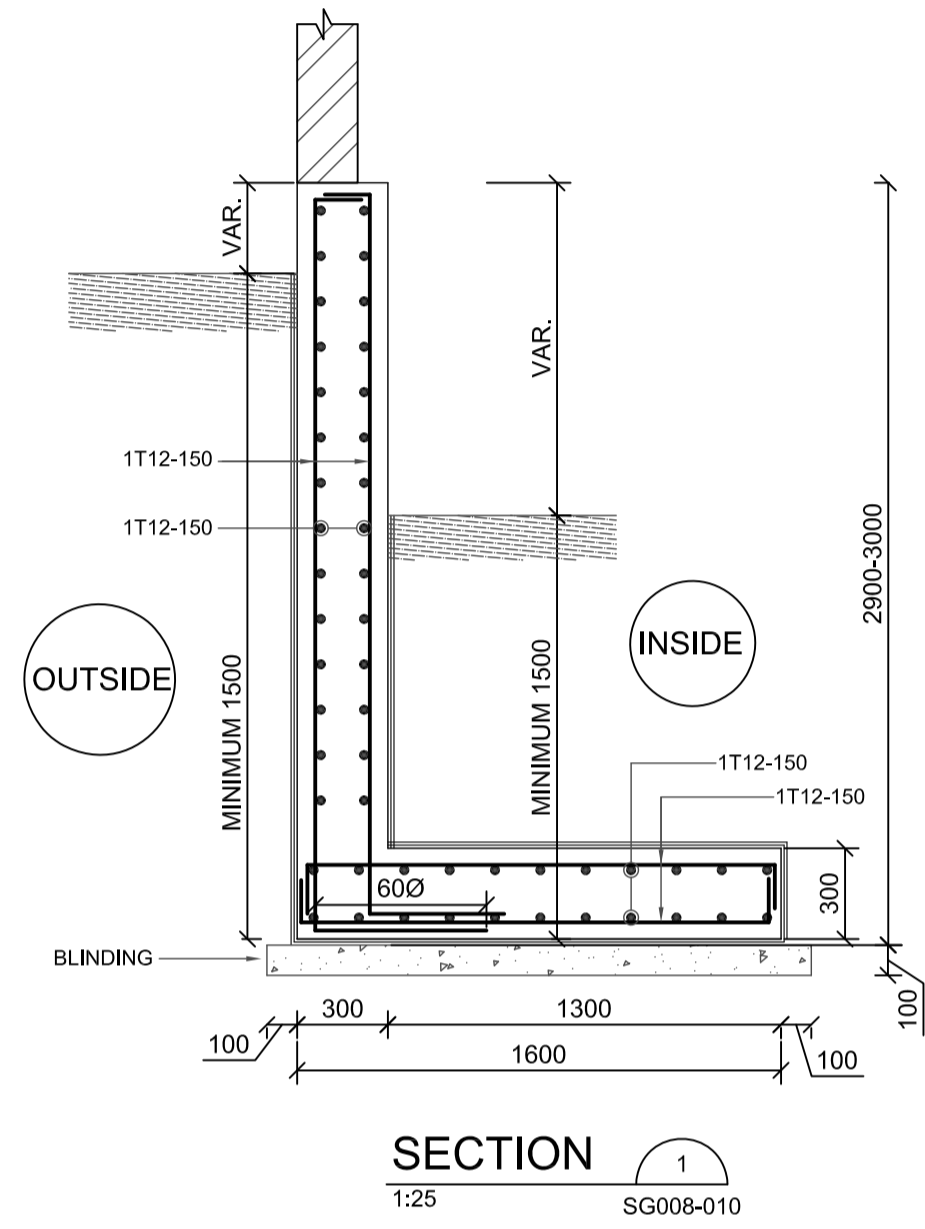


PHASE III  
PACKAGE 2  
Thahr Al Sarow Basic School For Boys  
(Jerash)  
SCHOOLS FOR A KNOWLEDGE ECONOMY  
PROJECT (USAID SKEP)

DRAWING NAME:  
BOUNDARY WALLS (6-7)  
ELEVATIONS  
PLOT No: 435  
LOCATION: Thahr Al Sarow  
BASIN NO: 4 Dair Alliat

Design: K.S.	Drawn: CAD	Checked: I.K.	North:
SCALE: 1 : 100	Date: JUNE 2019	Approved: W.Z.	
DRAWING NUMBER: SKPE-14-SG007		Rev.: 0	

تم التصميم حسب الكودات المعتمدة  
بموجب التعليمات الفنية السارية  
مكتب رقم - ٥



- NOTES:
- BACKFILLING IN FRONT AND BEHIND RETAINING WALLS SHALL BE DONE SIMULTANEOUSLY.
  - DO NOT BACKFILL AGAINST BUILDING FOUNDATION AND RETAINING WALLS UNTIL RESTRAINING SLABS AND ADEQUATE BRACING ARE IN PLACE. ALL BACKFILL SHALL BE PLACED AND COMPACTED IN ACCORDANCE WITH SPECIFICATIONS.
  - DO NOT BACKFILL AGAINST CONCRETE CANTILEVER RETAINING WALLS UNTIL CONCRETE HAS ATTAINED ITS SPECIFIED 28-DAY COMPRESSIVE STRENGTH  $f_c'$ . ALL BACKFILL SHALL BE PLACED AND COMPACTED IN ACCORDANCE WITH THE SPECIFICATIONS.
  - FOR WEEP HOLES DETAILS REFER TO STRUCTURAL NOTES DWG. SG001
  - ALL BURIED STRUCTURES SHALL BE INSULATED BY 3 COATS OF FLUID PAINT.

REV.	DATE	REMARKS
0	JUNE 2019	VOL. IV - TENDER DRAWINGS

NOTES:



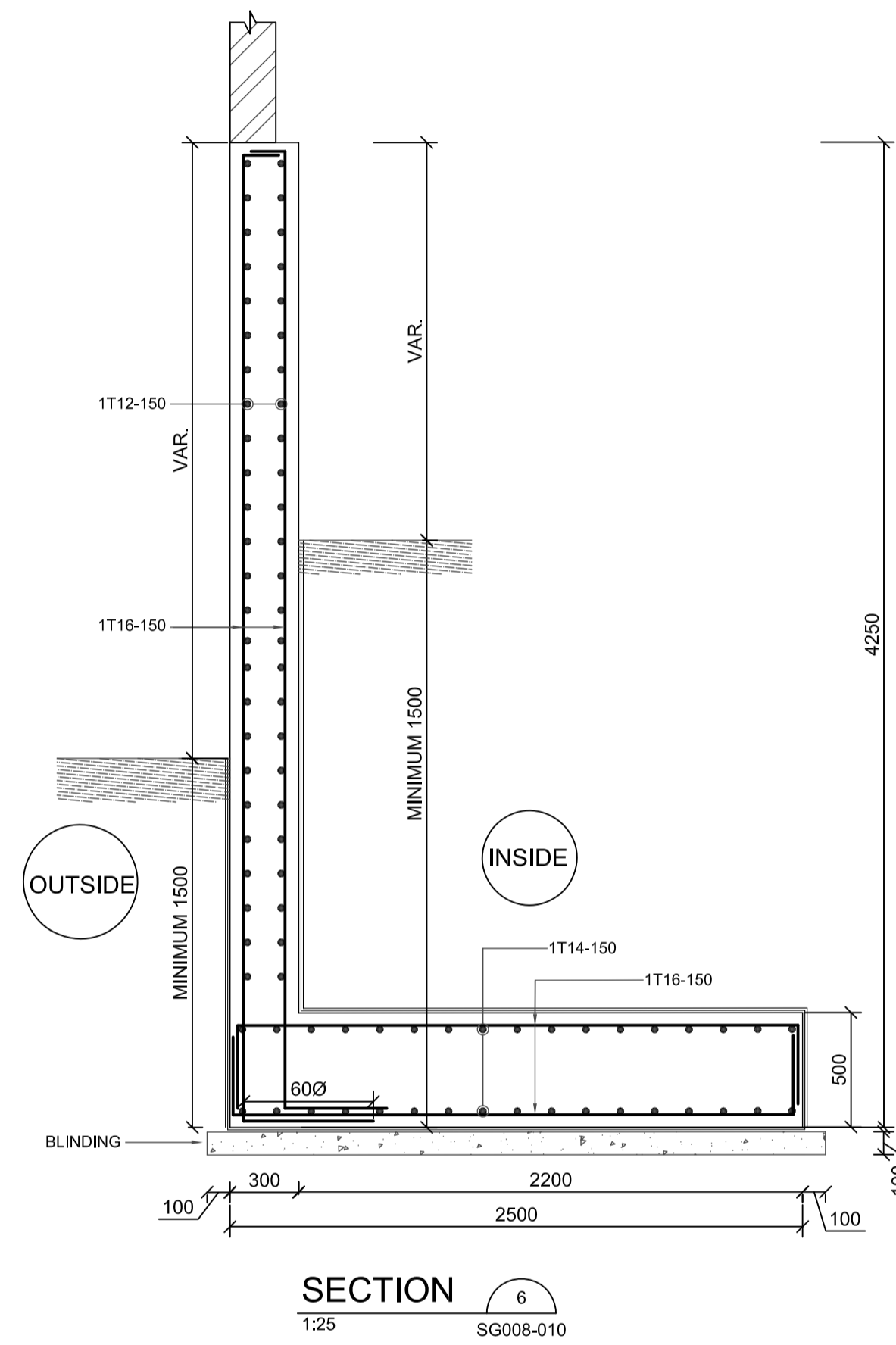
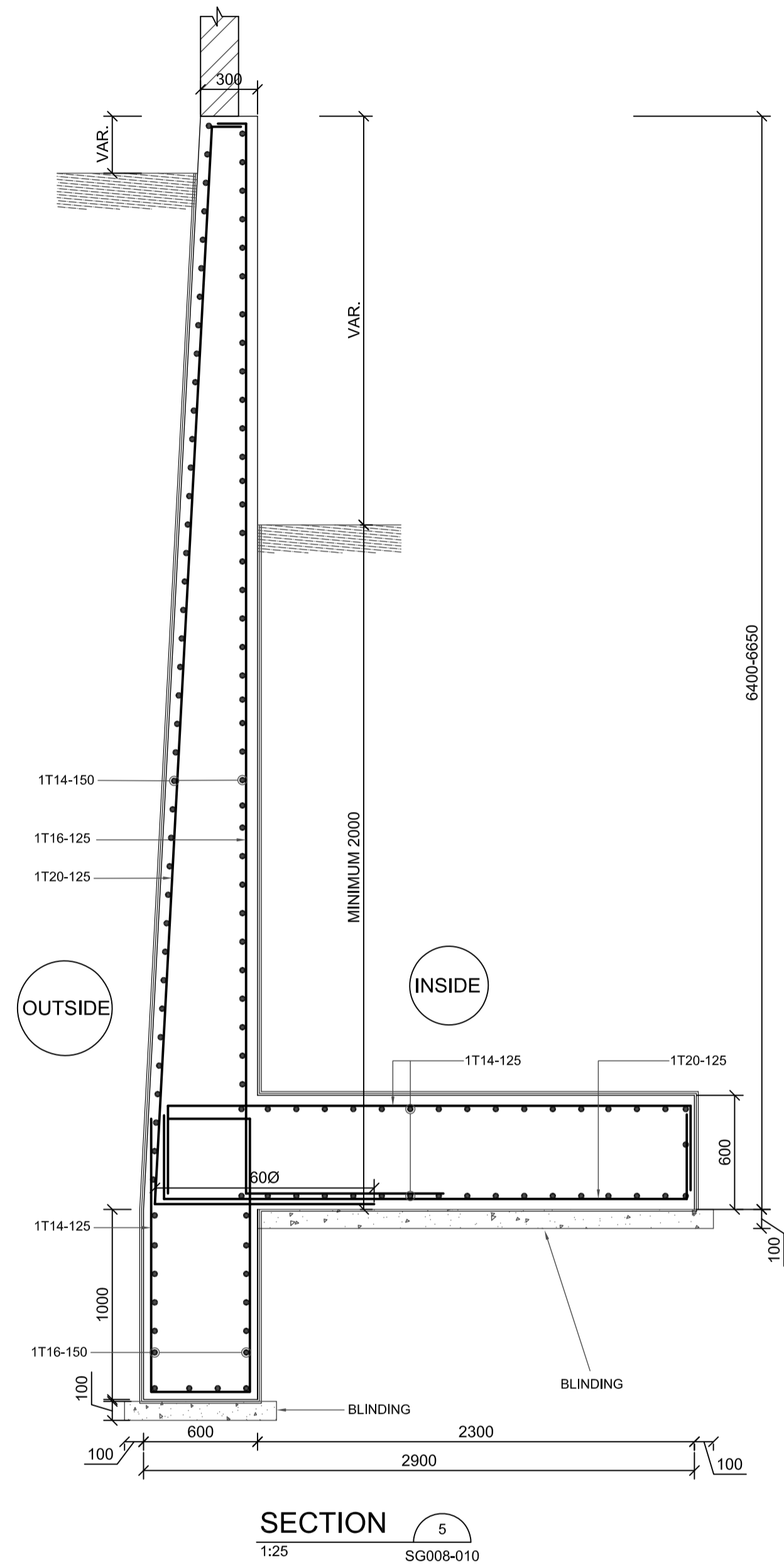
PHASE III  
PACKAGE 2  
Thahr Al Sarow Basic School For Boys  
(Jerash)  
SCHOOLS FOR A KNOWLEDGE ECONOMY  
PROJECT (USAID SKEP)

DRAWING NAME: BOUNDARY WALLS SECTIONS SHEET 1 OF 3		
DESIGN: K.S.	DRAWN: CAD	CHECKED: I.K.
SCALE: 1:25	DATE: JUNE 2019	APPROVED: W.Z.
PLOT No: 435	LOCATION: Thahr Al Sarow	BASIN NO: 4 Dair Alliat
DRAWING NUMBER: SKPE-14-SG008		

North:
Rev.: 0



تم التصميم حسب الكودات المعتمدة  
بموجب التعليمات الفنية السارية  
مكتب رقم - ٥



- NOTES:
- BACKFILLING IN FRONT AND BEHIND RETAINING WALLS SHALL BE DONE SIMULTANEOUSLY.
  - DO NOT BACKFILL AGAINST BUILDING FOUNDATION AND RETAINING WALLS UNTIL RESTRAINING SLABS AND ADEQUATE BRACING ARE IN PLACE. ALL BACKFILL SHALL BE PLACED AND COMPACTED IN ACCORDANCE WITH SPECIFICATIONS.
  - DO NOT BACKFILL AGAINST CONCRETE CANTILEVER RETAINING WALLS UNTIL CONCRETE HAS ATTAINED ITS SPECIFIED 28-DAY COMPRESSIVE STRENGTH  $f_c'$ . ALL BACKFILL SHALL BE PLACED AND COMPACTED IN ACCORDANCE WITH THE SPECIFICATIONS.
  - FOR WEEP HOLES DETAILS REFER TO STRUCTURAL NOTES DWG. SG001
  - ALL BURIED STRUCTURES SHALL BE INSULATED BY 3 COATS OF FLUID PAINT.

REV.	DATE	REMARKS
0	JUNE 2019	VOL. IV - TENDER DRAWINGS

NOTES:



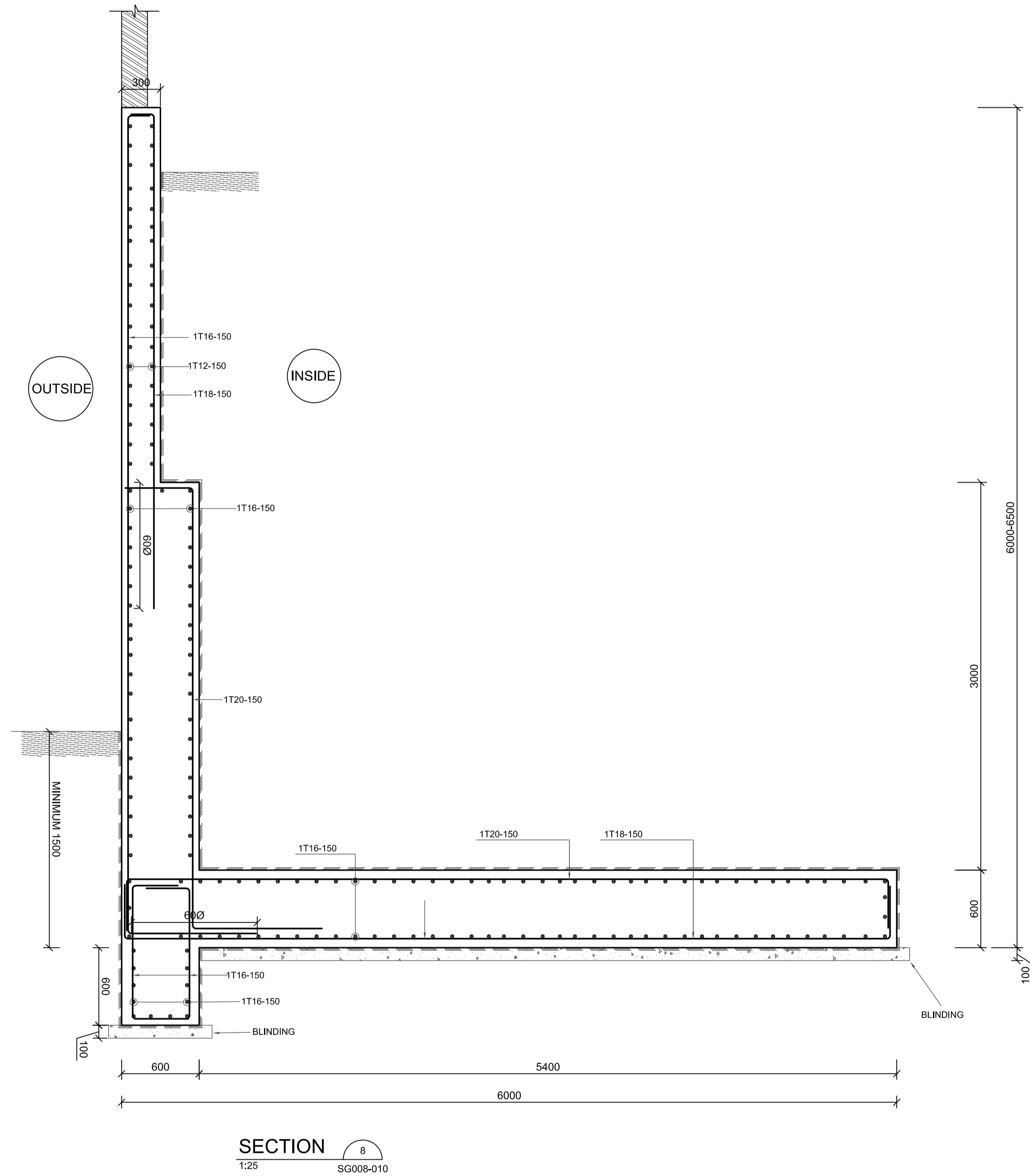
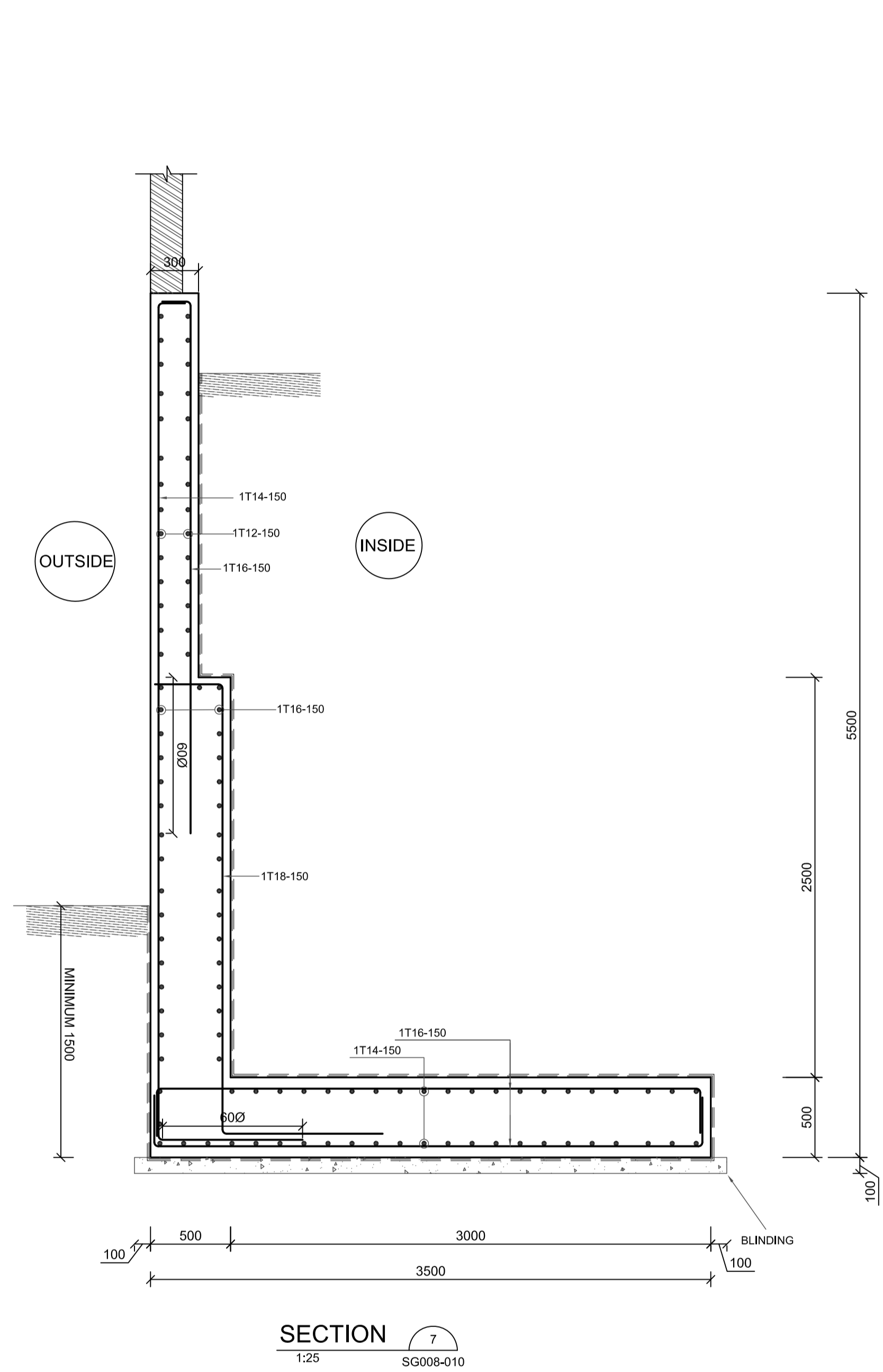
PHASE III  
PACKAGE 2

Thahr Al Sarow Basic School For Boys  
(Jerash)  
SCHOOLS FOR A KNOWLEDGE ECONOMY  
PROJECT (USAID SKEP)

DRAWING NAME: BOUNDARY WALLS SECTIONS SHEET 2 OF 3		
PLOT No 435	LOCATION Thahr Al Sarow	BASIN NO 4 Dair Alliat

Design: K.S.	Drawn: CAD	Checked: I.K.	North: 
SCALE: 1:25	Date: JUNE 2019	Approved: W.Z.	Rev.: 0
DRAWING NUMBER: SKEP-14-SG009			

تم التصميم حسب الكودات المعتمدة  
بموجب التعليمات الفنية السارية  
مكتب رقم - ٥



- NOTES:
- BACKFILLING IN FRONT AND BEHIND RETAINING WALLS SHALL BE DONE SIMULTANEOUSLY.
  - DO NOT BACKFILL AGAINST BUILDING FOUNDATION AND RETAINING WALLS UNTIL RESTRAINING SLABS AND ADEQUATE BRACING ARE IN PLACE. ALL BACKFILL SHALL BE PLACED AND COMPACTED IN ACCORDANCE WITH SPECIFICATIONS.
  - DO NOT BACKFILL AGAINST CONCRETE CANTILEVER RETAINING WALLS UNTIL CONCRETE HAS ATTAINED ITS SPECIFIED 28-DAY COMPRESSIVE STRENGTH  $f_c'$ . ALL BACKFILL SHALL BE PLACED AND COMPACTED IN ACCORDANCE WITH THE SPECIFICATIONS.
  - FOR WEEP HOLES DETAILS REFER TO STRUCTURAL NOTES DWG. SG001
  - ALL BURIED STRUCTURES SHALL BE INSULATED BY 3 COATS OF FLUID PAINT.

REV.	DATE	REMARKS
0	JUNE 2019	VOL. IV - TENDER DRAWINGS

NOTES:



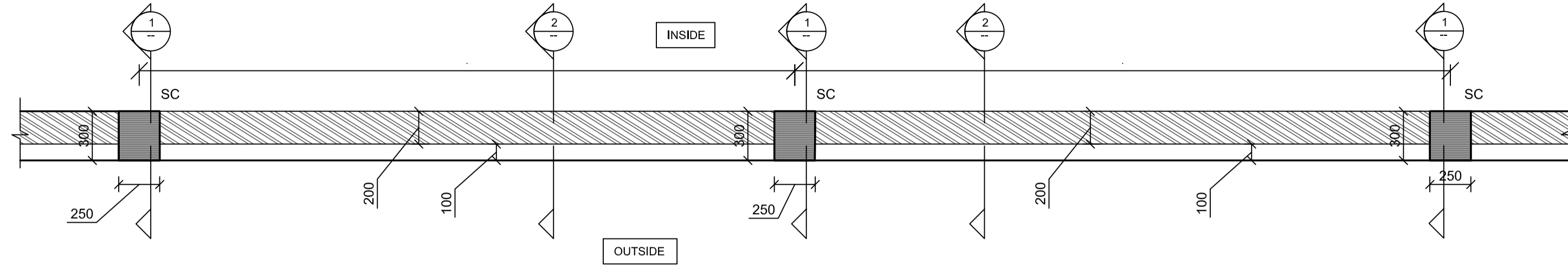
PHASE III  
PACKAGE 2

Thahr Al Sarow Basic School For Boys  
(Jerash)  
SCHOOLS FOR A KNOWLEDGE ECONOMY  
PROJECT (USAID SKEP)

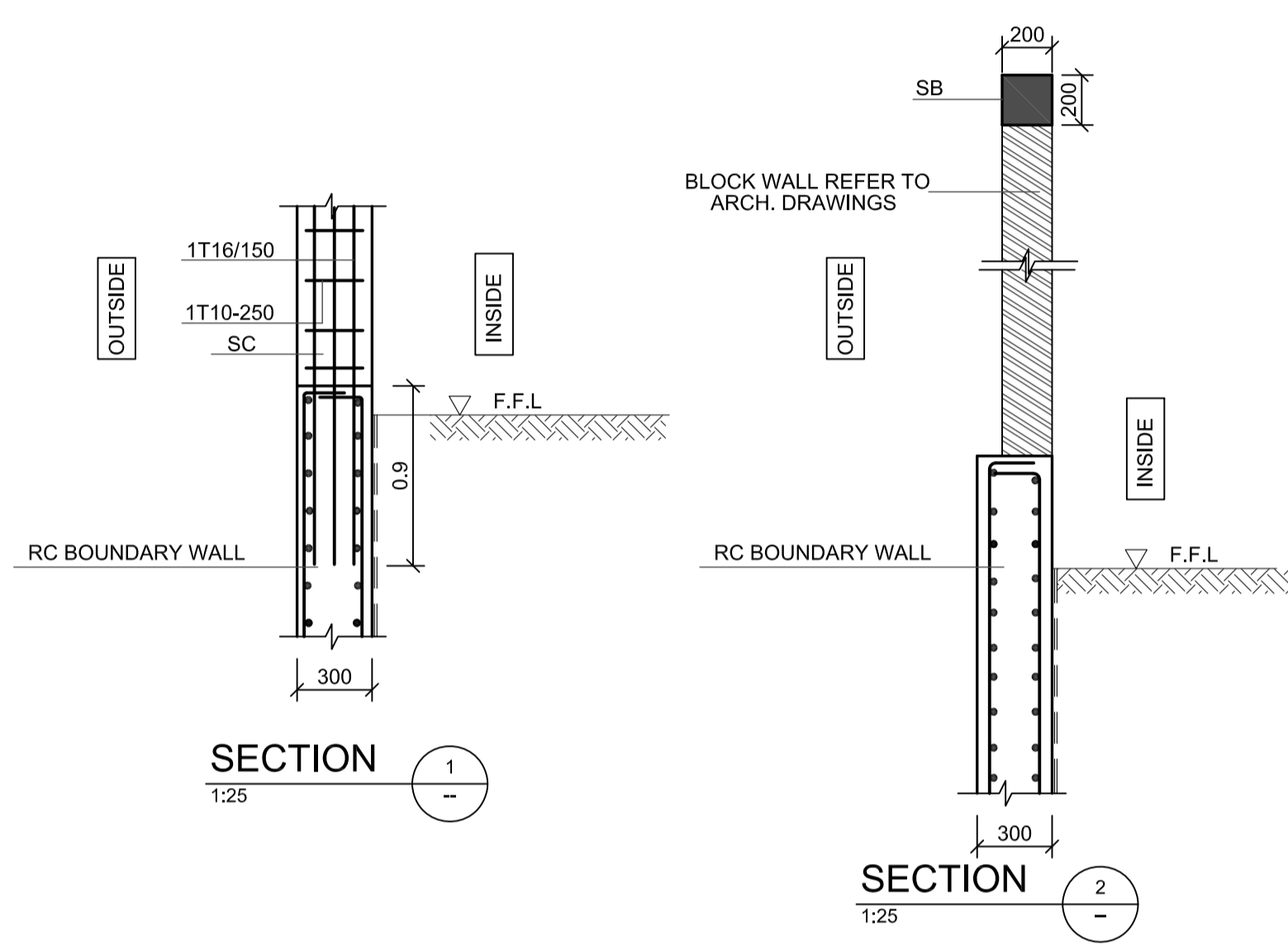
DRAWING NAME:		
BOUNDARY WALLS SECTIONS		
SHEET 3 OF 3		
PLOT No	LOCATION	BASIN NO
435	Thahr Al Sarow	4 Dair Alliat

Design:	Drawn:	Checked:	North:
K.S.	CAD	I.K.	North
SCALE:	Date:	Approved:	
1:25	JUNE 2019	W.Z.	
DRAWING NUMBER:			Rev.:
SKEP-14-SG010			0

تم التصميم حسب الكودات المعممة  
بموجب التعليمات الفنية السارية  
مكتب رقم - ٥



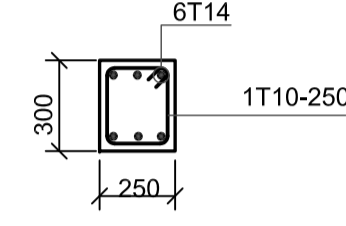
TOP OF BOUNDARY WALL  
1:25



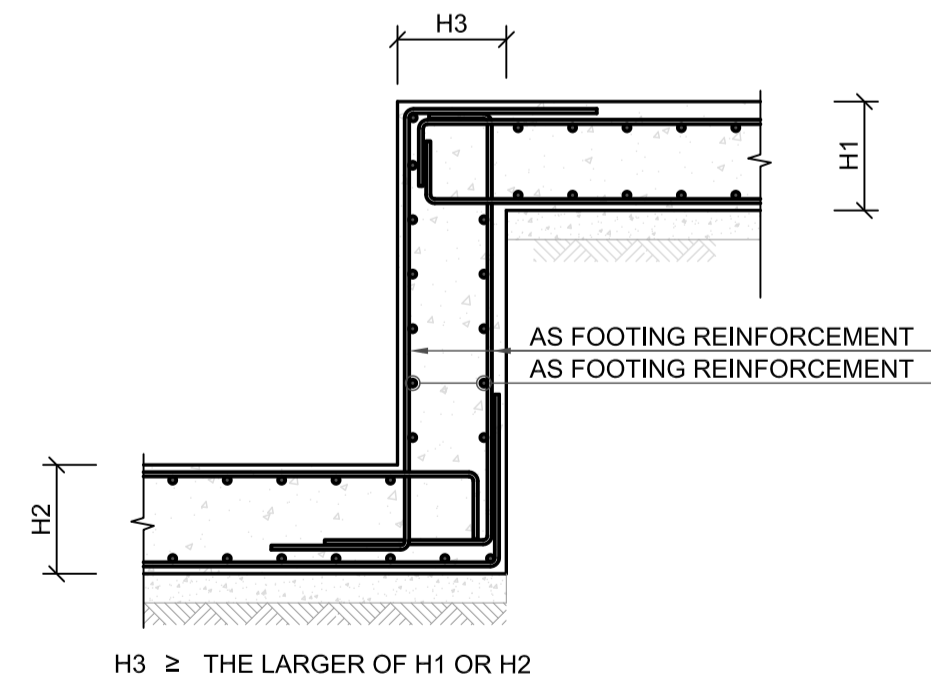
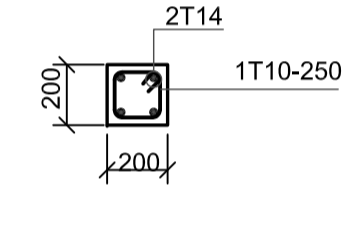
SECTION 1  
1:25

SECTION 2  
1:25

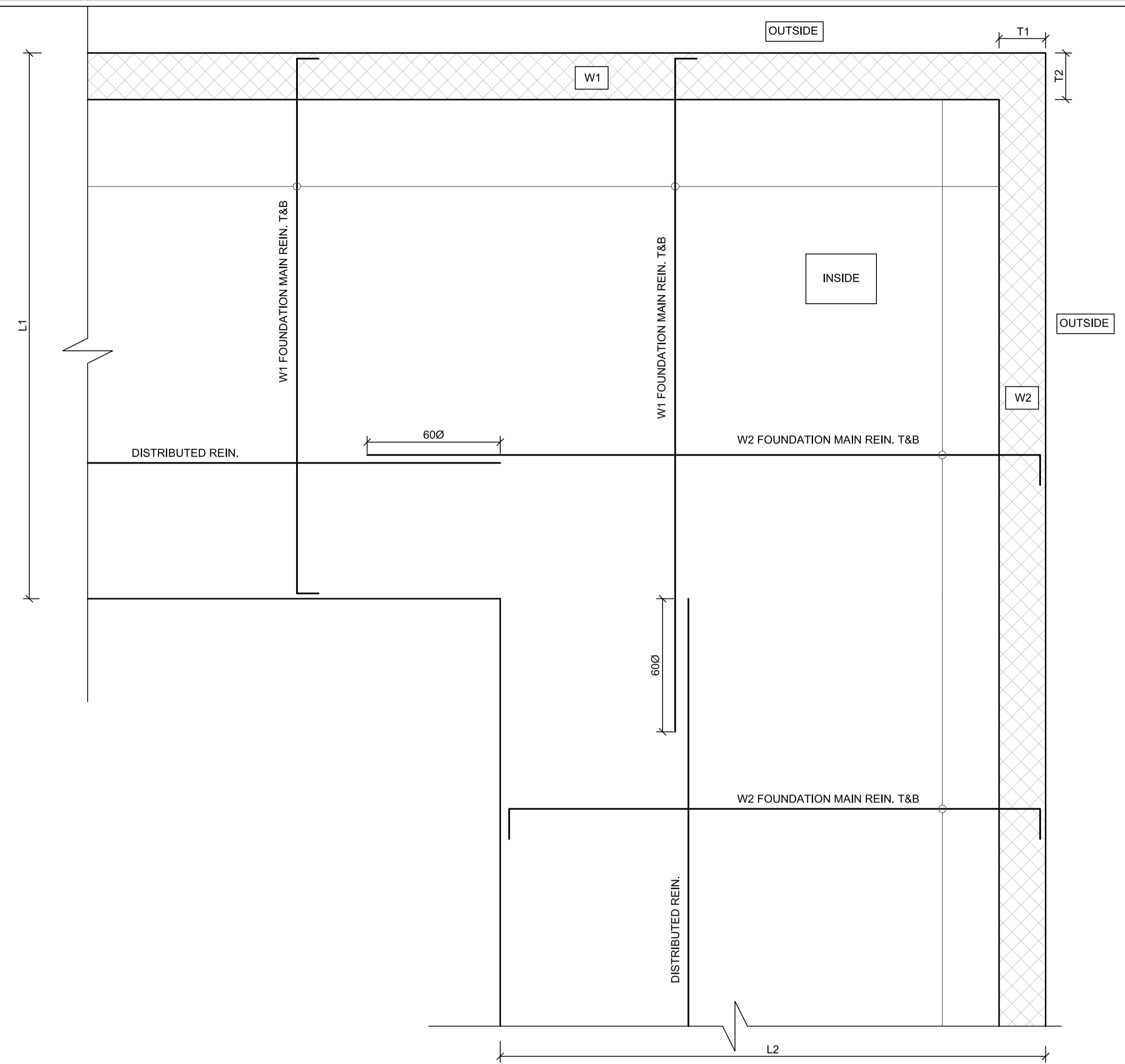
STIFFENER COLUMN (SC) ABOVE R.C WALL  
BETWEEN BLOCK WALLS  
1:25



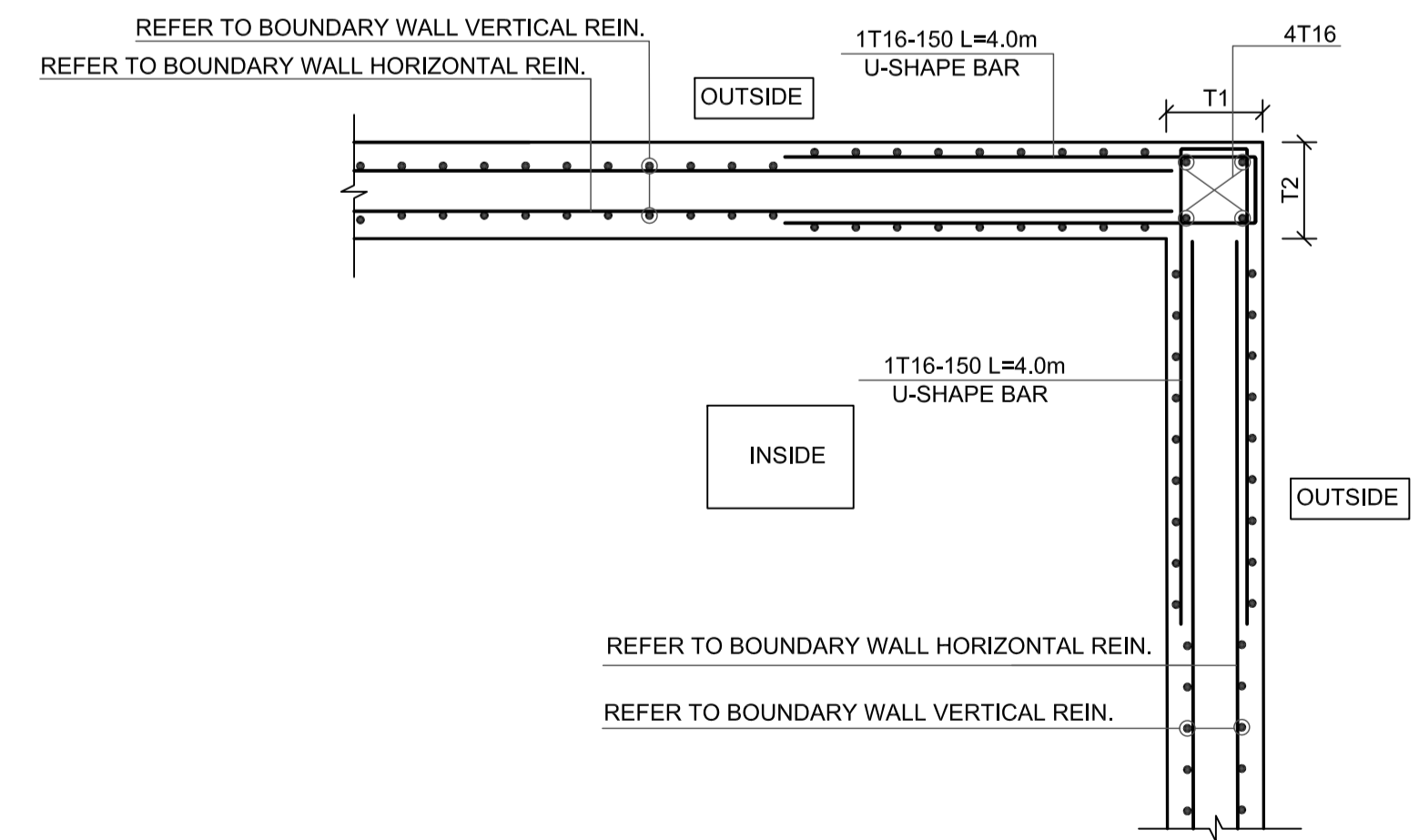
STIFFENER BEAM (SB) ABOVE BLOCK WALL  
BETWEEN STIFFENER COLUMNS  
1:25



STEPPED FOUNDATION TYPICAL DETAIL  
N.T.S.



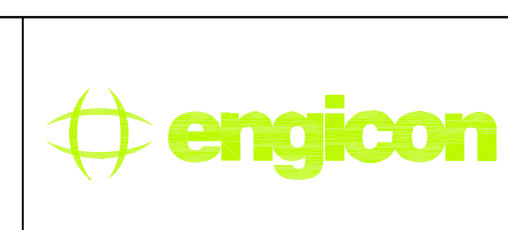
BOUNDARY WALL-FOUDATION CORNER DETAIL  
1:25



BOUNDARY WALL - WALLS CORNER DETAIL  
1:25

REV.	DATE	REMARKS
0	JUNE 2019	VOL. IV - TENDER DRAWINGS

NOTES:

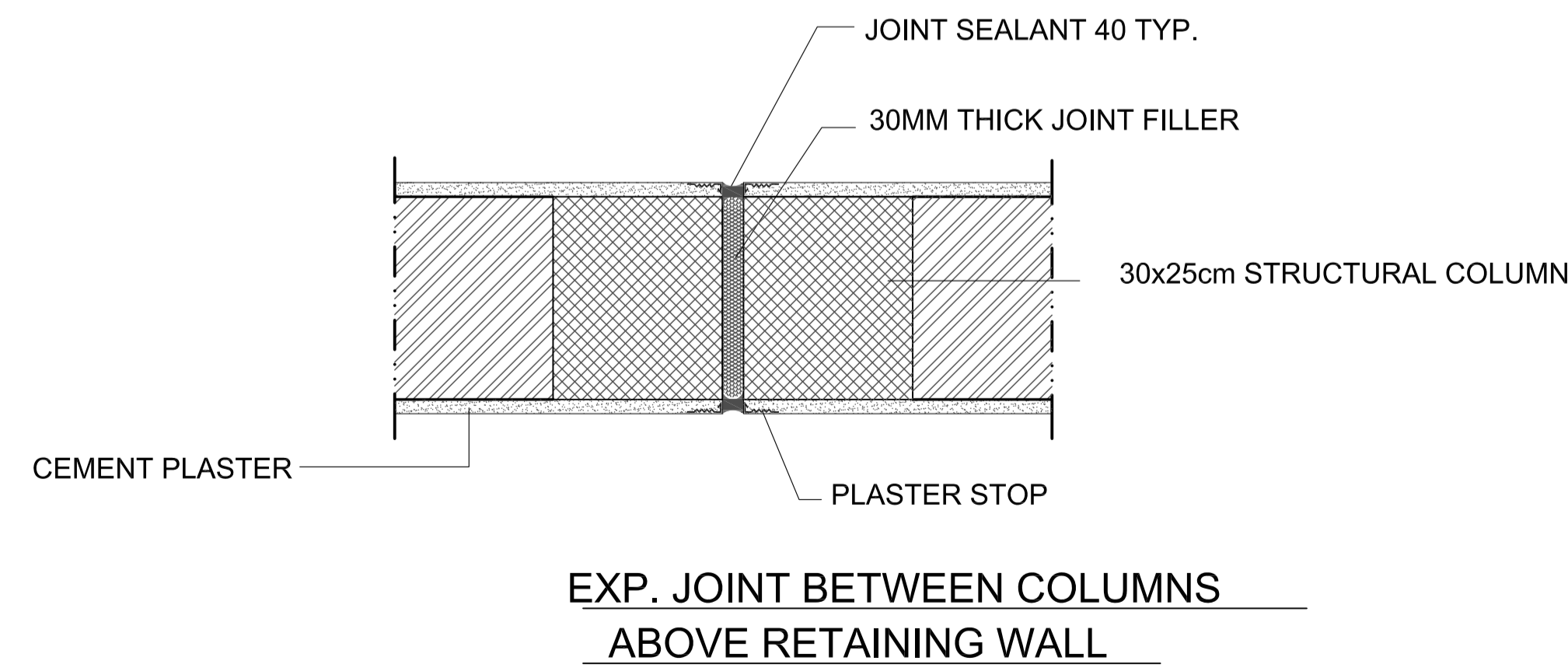
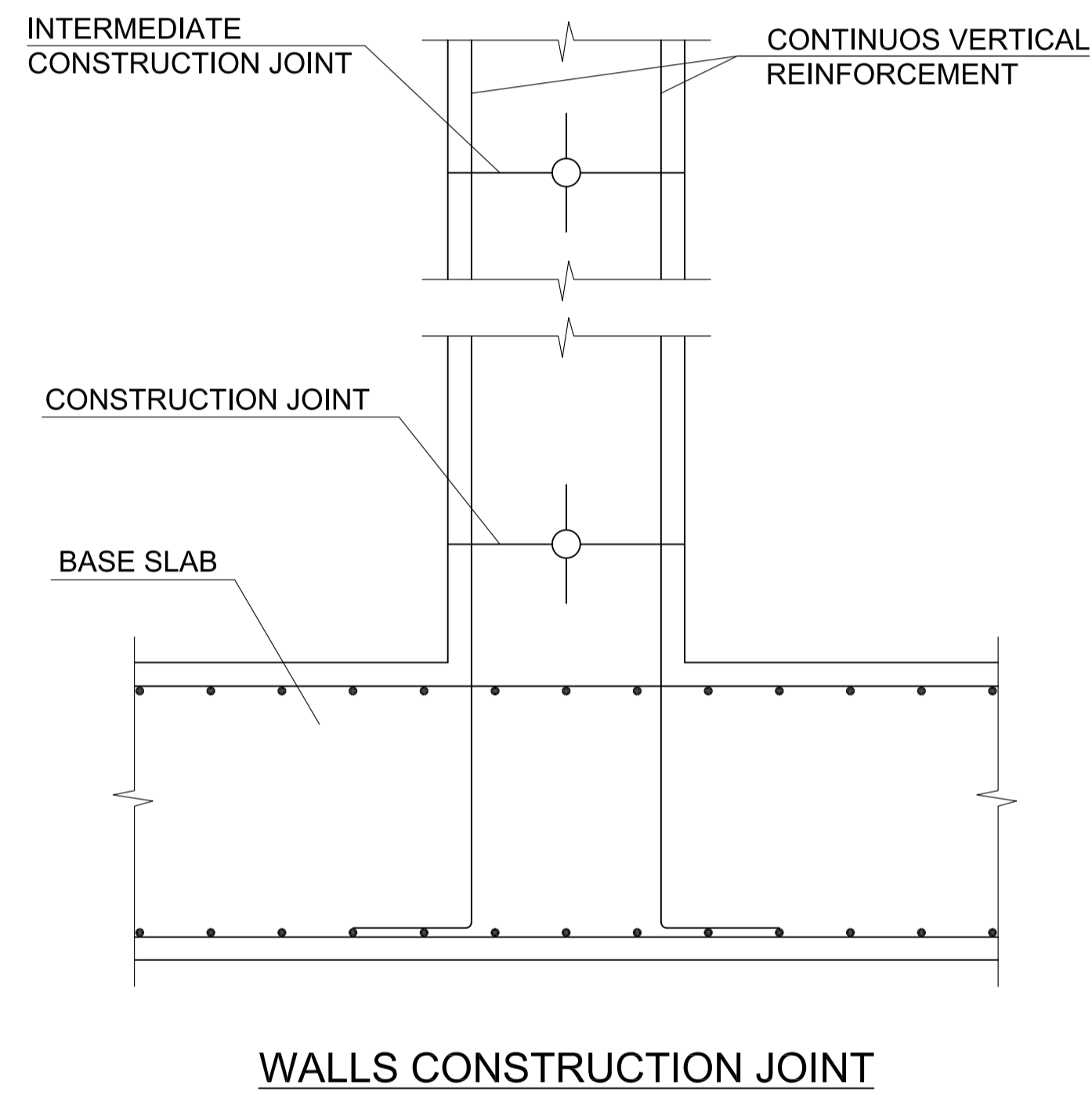
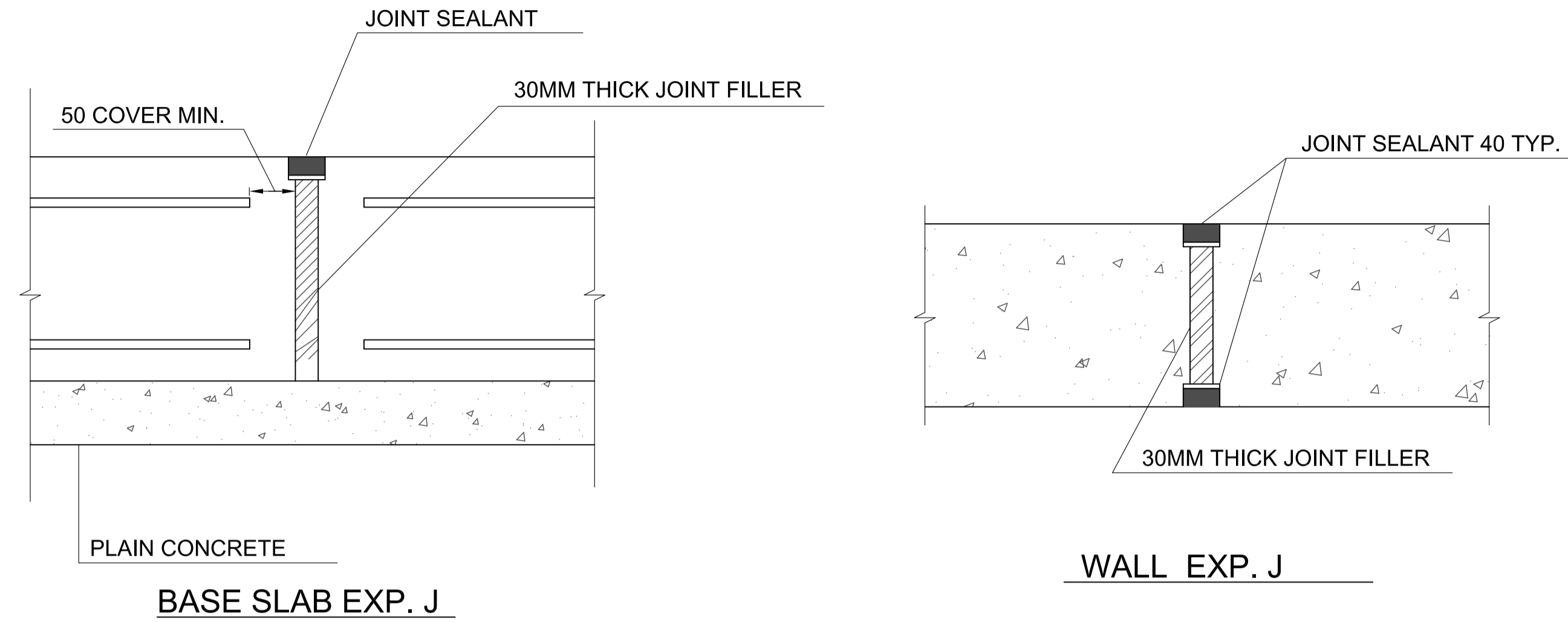


PHASE III  
PACKAGE 2  
Thahr Al Sarow Basic School For Boys (Jerash)  
SCHOOLS FOR A KNOWLEDGE ECONOMY PROJECT (USAID SKEP)

DRAWING NAME:  
BOUNDARY WALLS GENERAL DETAILS  
SHEET 1 OF 2  
PLOT No: 435  
LOCATION: Thahr Al Sarow  
BASIN NO: 4 Dair Alliat

Design: K.S.  
SCALE: 1:25  
DRAWING NUMBER: SKEP-14-SG011  
Drawn: CAD  
Date: JUNE 2019  
Checked: R.K.  
Approved: I.K.  
North: Rev.: 0

تم التصميم حسب الكودات المعممة  
بموجب التعليمات الفنية السارية  
مكتب رقم - ٥



REV.	DATE	REMARKS
0	JUNE 2019	VOL. IV - TENDER DRAWINGS

NOTES:



**USAID**  
FROM THE AMERICAN PEOPLE

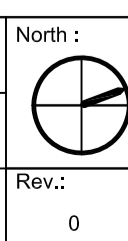


PHASE III  
PACKAGE 2

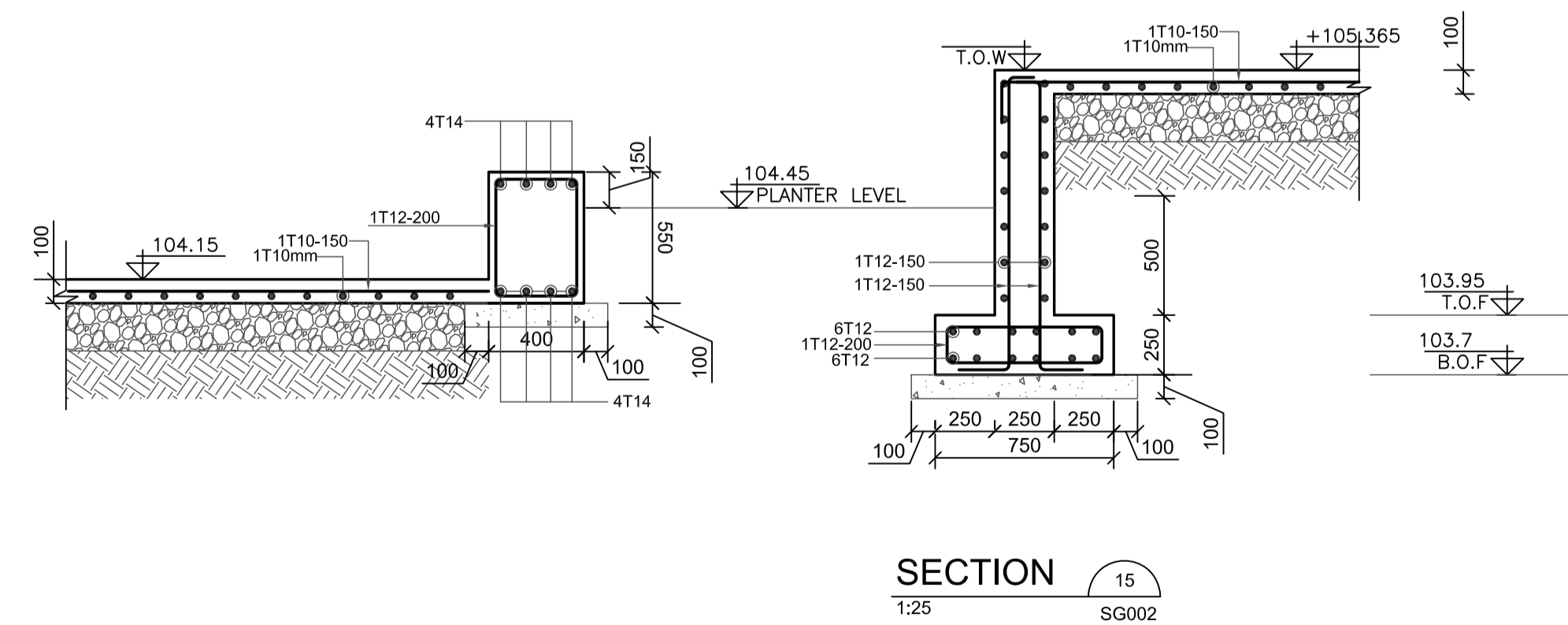
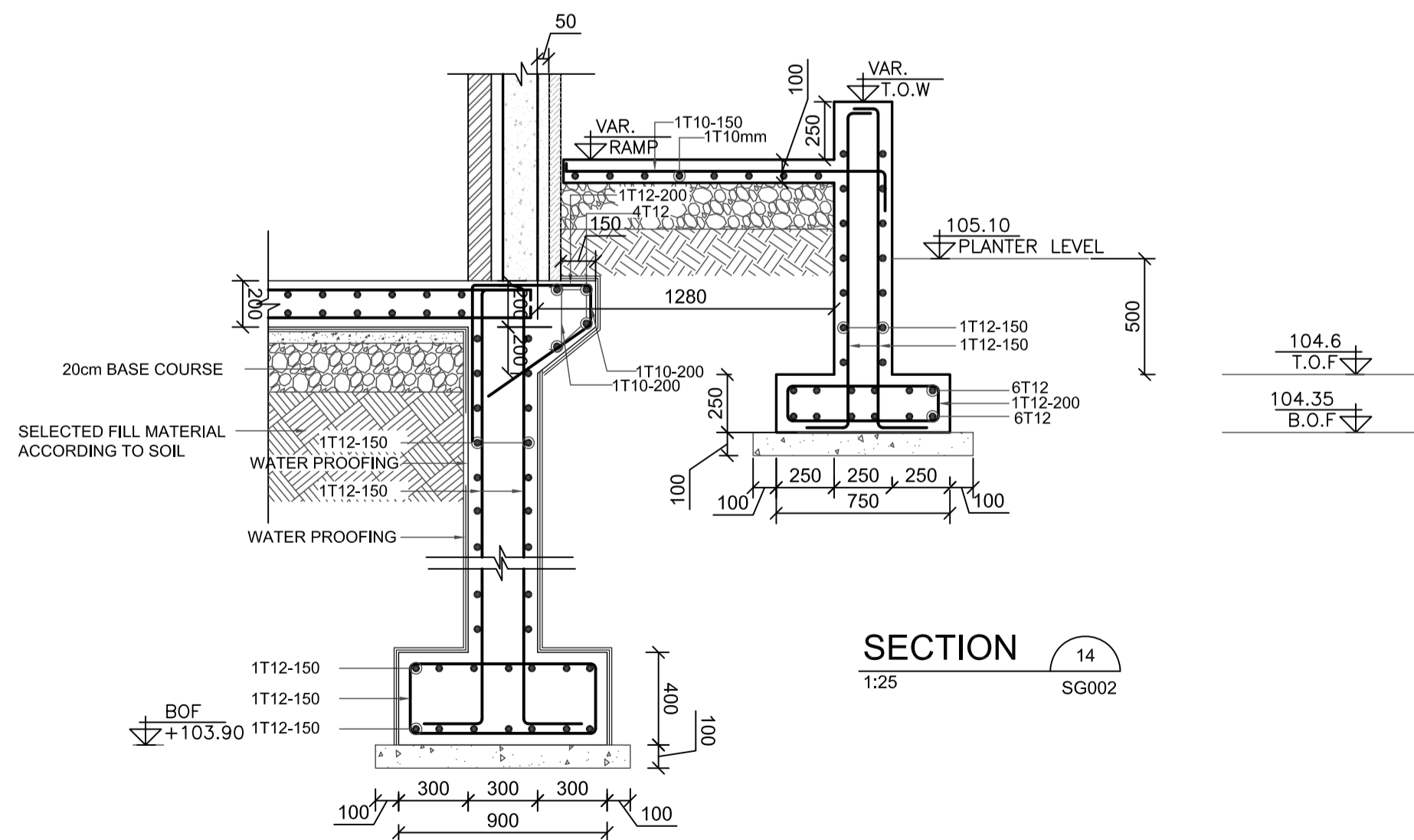
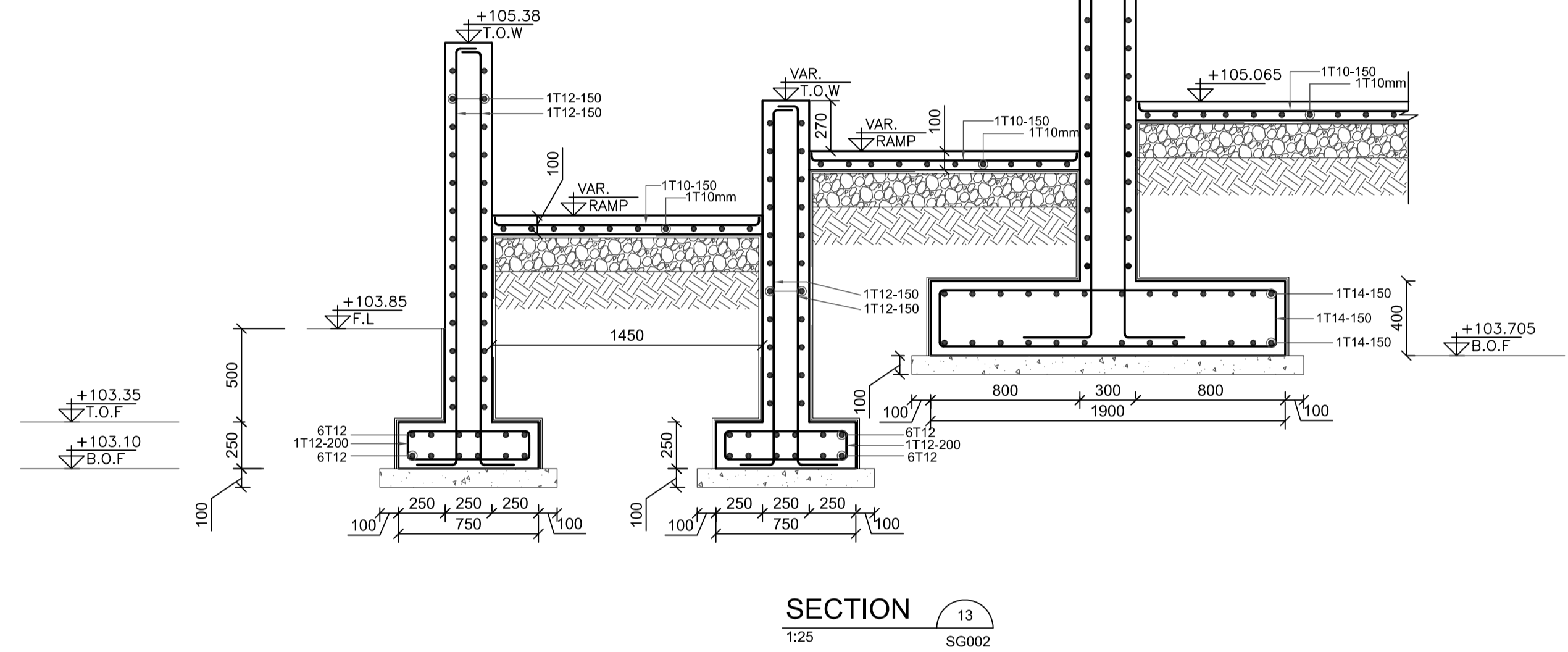
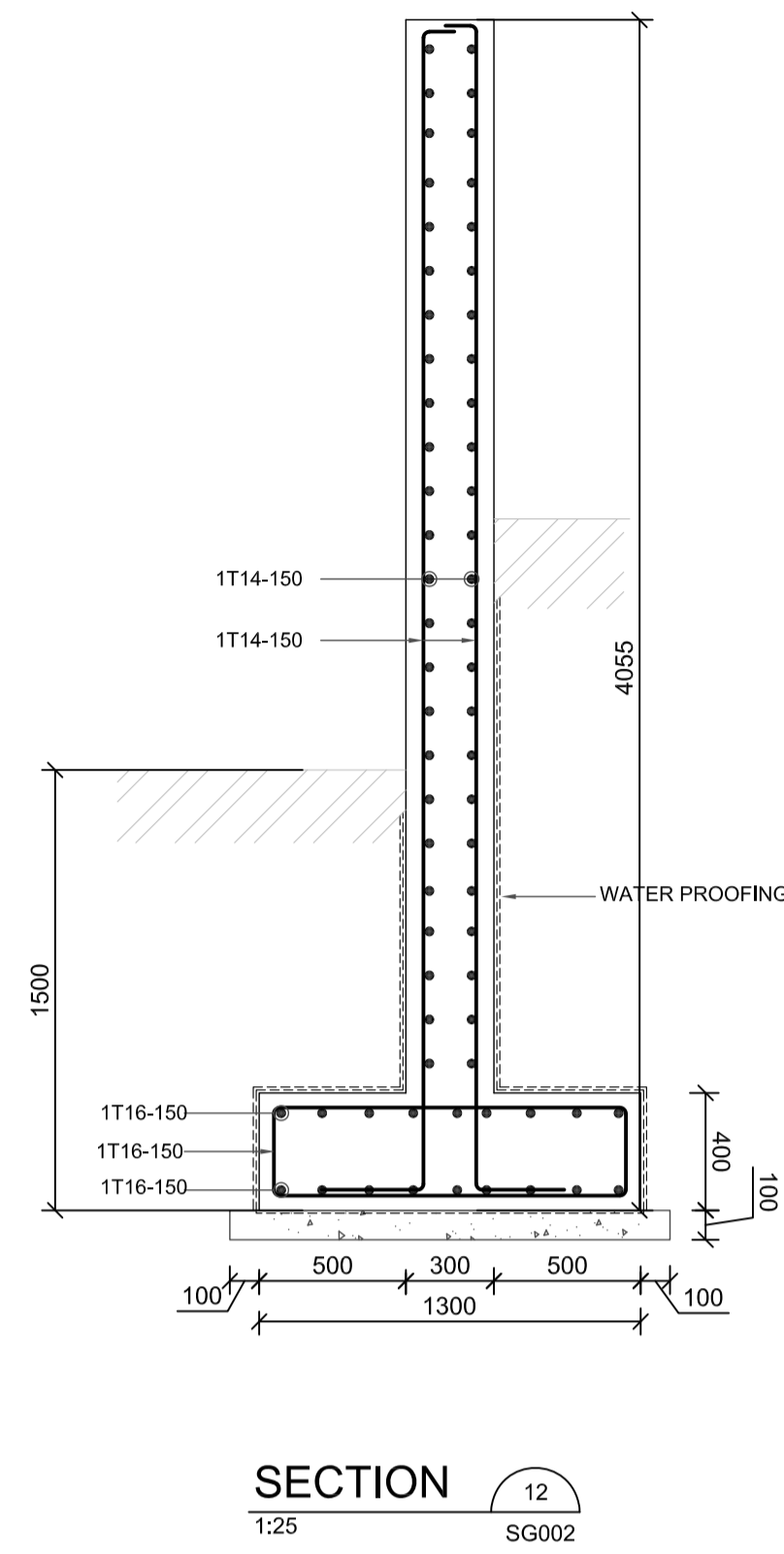
Thahr Al Sarow Basic School For Boys  
(Jerash)  
SCHOOLS FOR A KNOWLEDGE ECONOMY  
PROJECT (USAID SKEP)

DRAWING NAME: <b>BOUNDARY WALLS GENERAL DETAILS SHEET 2 OF 2</b>		
DESIGN: K.S.	DRAWN: CAD	CHECKED: R.K.
SCALE: 1:25	DATE: JUNE 2019	APPROVED: I.K.
PLOT No: 435	LOCATION: Thahr Al Sarow	BASIN NO: 4 Dair Alliat

DRAWING NUMBER: <b>SKEP-14-SG012</b>	Rev.: 0
---	------------



تم التصميم حسب الكودات المعممة  
بموجب التعليمات الفنية السارية  
مكتب رقم - ٥



NOTES:



PHASE III  
PACKAGE 2

Thahr Al Sarow Basic School For Boys  
(Jerash)  
SCHOOLS FOR A KNOWLEDGE ECONOMY  
PROJECT (USAID SKEP)

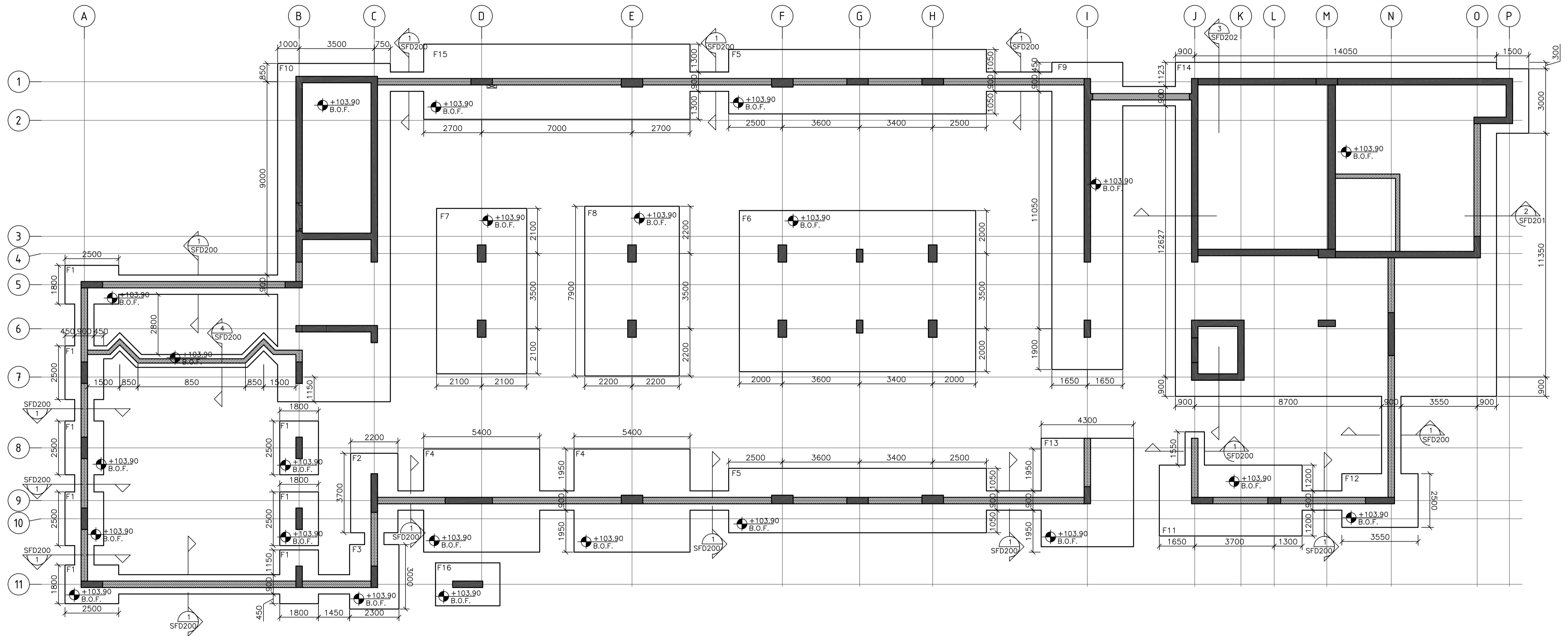
DRAWING NAME:  
GENERAL SITE STRUCTURAL DETAILS  
PLOT No: 435  
LOCATION: Thahr Al Sarow  
BASIN NO: 4 Dair Alliat

Design: K.S.  
SCALE: 1:25  
DRAWING NUMBER: SKPE-14-SG013  
Drawn: CAD  
Date: JUNE 2019  
Checked: R.K.  
Approved: I.K.

North:   
Rev.: 0

REV.	DATE	REMARKS
0	JUNE 2019	VOL. IV - TENDER DRAWINGS

تم التصميم حسب الكودات المعممة  
بموجب التعليمات الفنية السارية  
مكتب رقم - ٥



REV.	DATE	REMARKS
0	JUNE 2019	VOL. IV - TENDER DRAWINGS

NOTES:

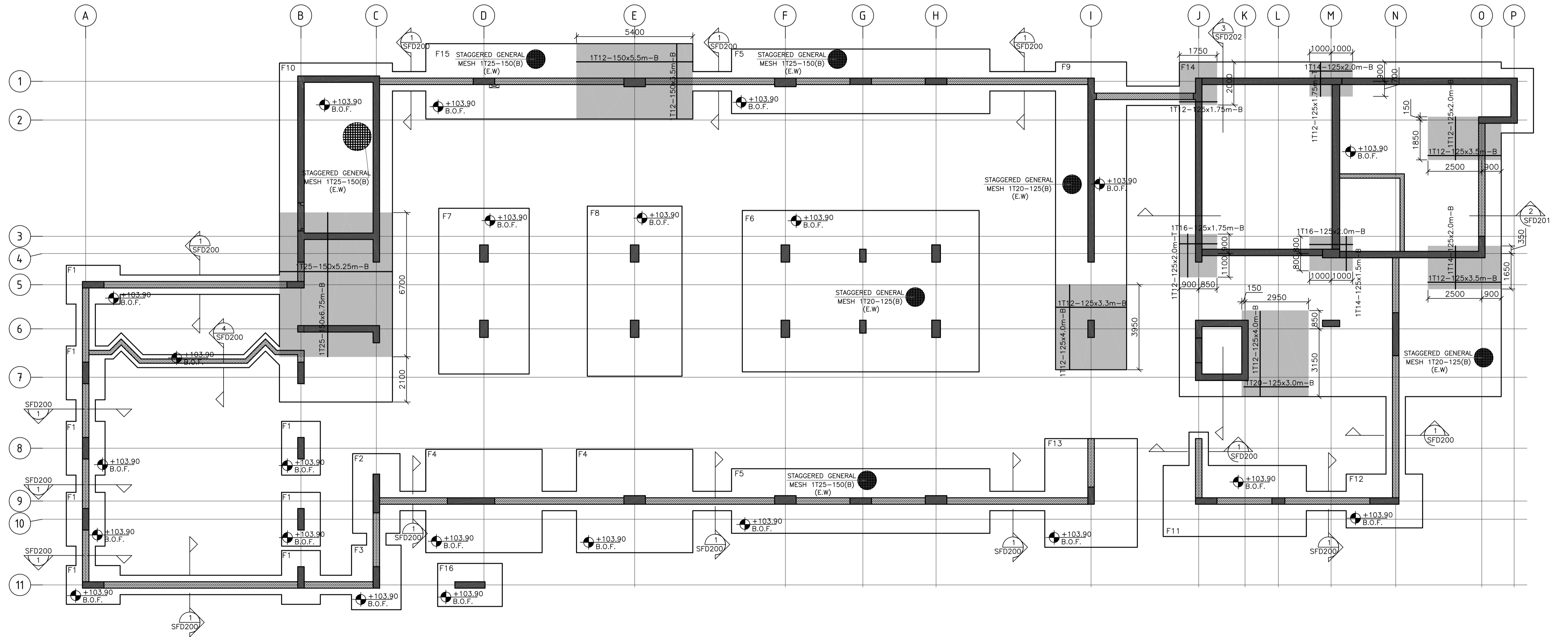


PHASE III  
PACKAGE 2  
Thahr Al Sarow Basic School For Boys (Jerash)  
SCHOOLS FOR A KNOWLEDGE ECONOMY PROJECT (USAID SKEP)

DRAWING NAME:  
FOUNDATION GENERAL FRAMING PLAN  
PLOT No: 435  
LOCATION: Thahr Al Sarow  
BASIN NO: 4 Dair Alliat

Design: K.S.	Drawn: CAD	Checked: R.K	North:
SCALE: 1:100	Date: JUNE 2019	Approved: W.Z.	
DRAWING NUMBER: SKEP 14-SFP100			Rev.: 0

تم التصميم حسب الكودات المعممة  
بموجب التعليمات الفنية السارية  
مكتب رقم - ٥



REV.	DATE	REMARKS
0	JUNE 2019	VOL. IV - TENDER DRAWINGS

NOTES:

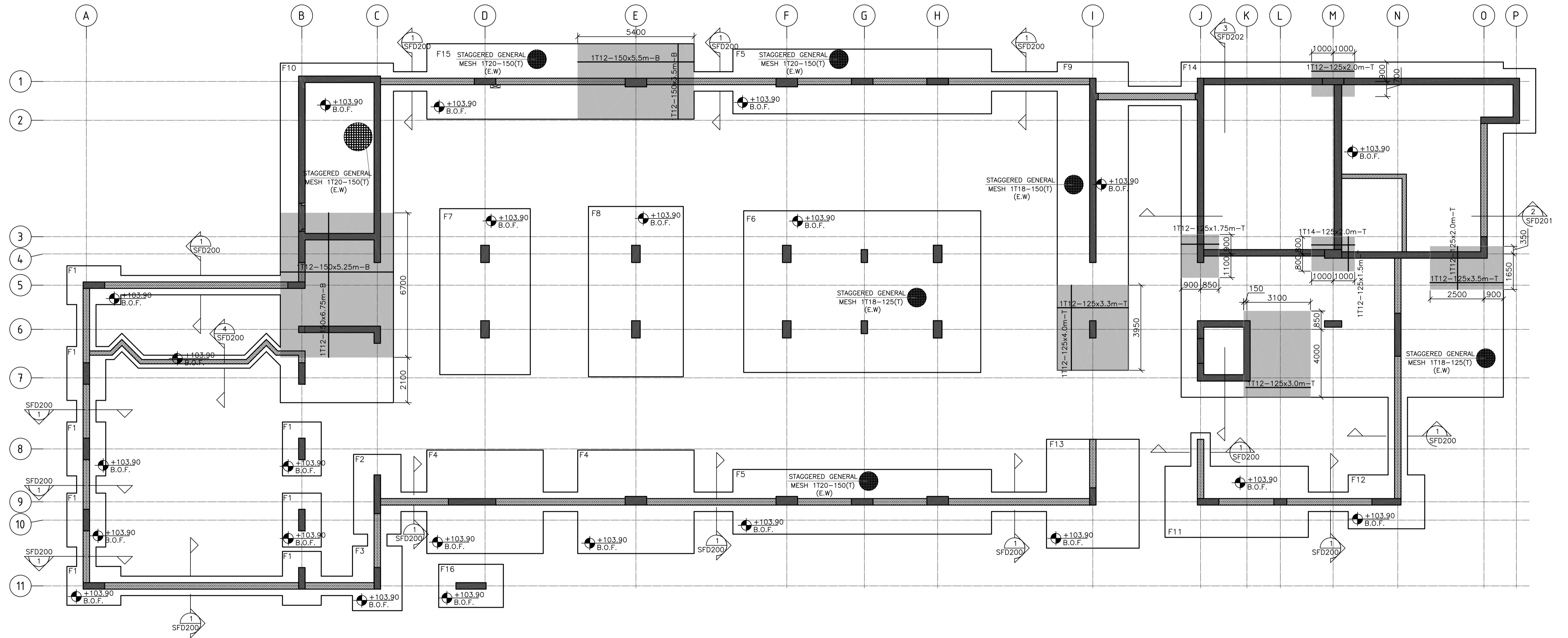


PHASE III  
PACKAGE 2  
Thahr Al Sarow Basic School For Boys  
(Jerash)  
SCHOOLS FOR A KNOWLEDGE ECONOMY  
PROJECT (USAID SKEP)

DRAWING NAME:  
FOUNDATION REINFORCEMENT PLAN  
(ADDITIONAL BOTTOM)

Design: K.S.	Drawn: CAD	Checked: R.K	North:
SCALE: 1:100	Date: JUNE 2019	Approved: W.Z.	
PLOT No: 435	LOCATION: Thahr Al Sarow	BASIN NO: 4 Dair Alliat	DRAWING NUMBER: SKEP 14-SFP101
			Rev.: 0

تم التصميم حسب الكودات المعممة  
 بموجب التعليمات الفنية السارية  
 مكتب رقم - ٥



NOTES:



PHASE III  
 PACKAGE 2  
 Thahr Al Sarow Basic School For Boys (Jerash)  
 SCHOOLS FOR A KNOWLEDGE ECONOMY PROJECT (USAID SKEP)

DRAWING NAME:  
 FOUNDATION REINFORCEMENT PLAN (ADDITIONAL TOP)

DESIGN: K.S.  
 SCALE: 1:100

DRAWN: CAD  
 DATE: JUNE 2019

CHECKED: R.K.  
 APPROVED: W.Z.

DRAWING NUMBER:  
 SKEP 14-SFP102

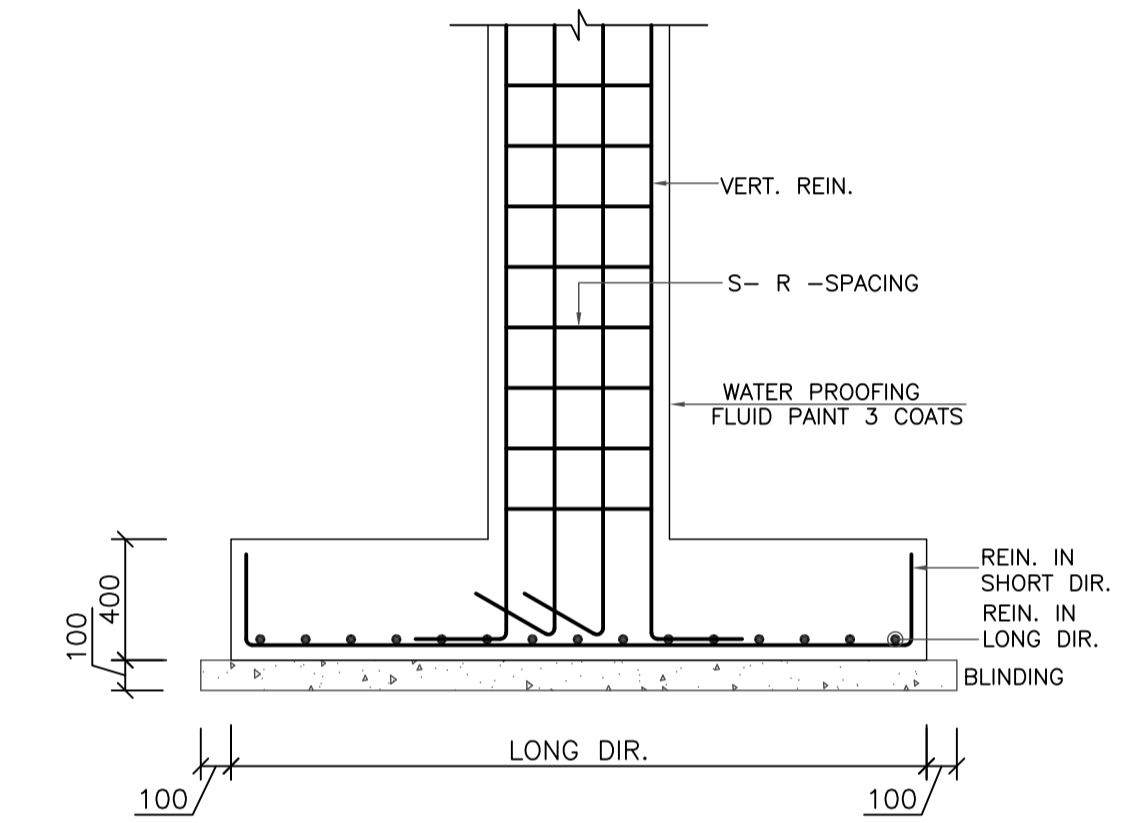
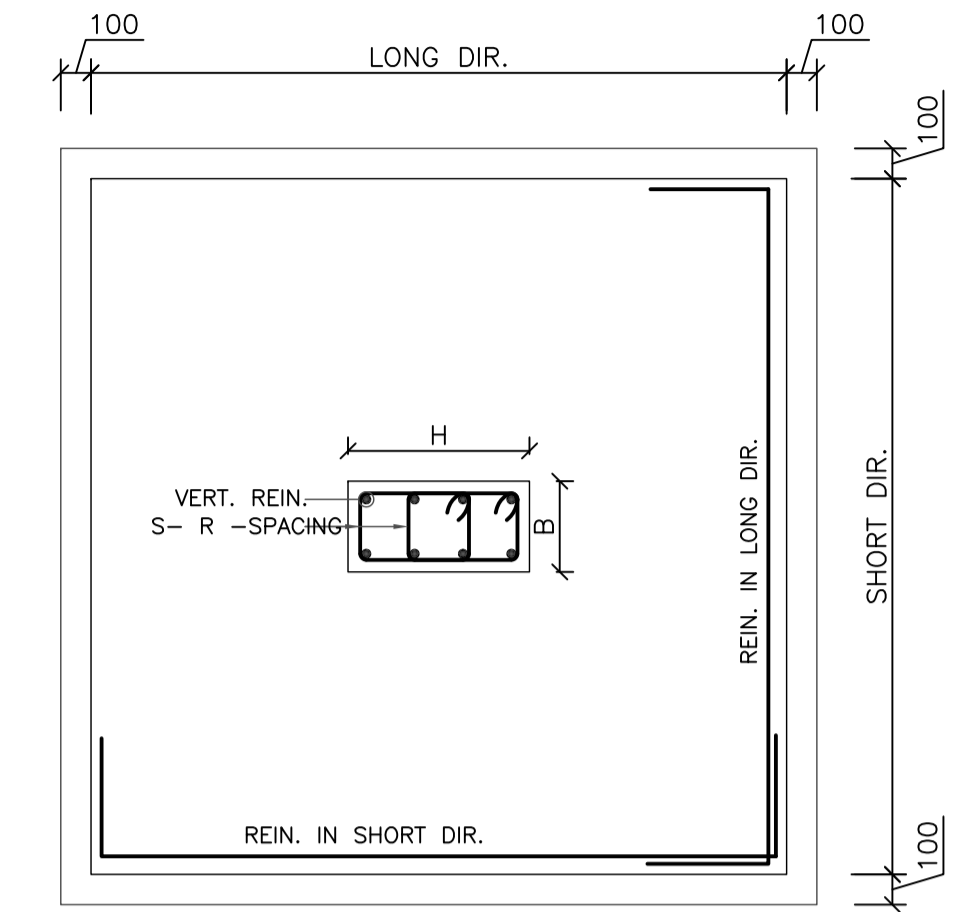
North:	
Rev.:	0



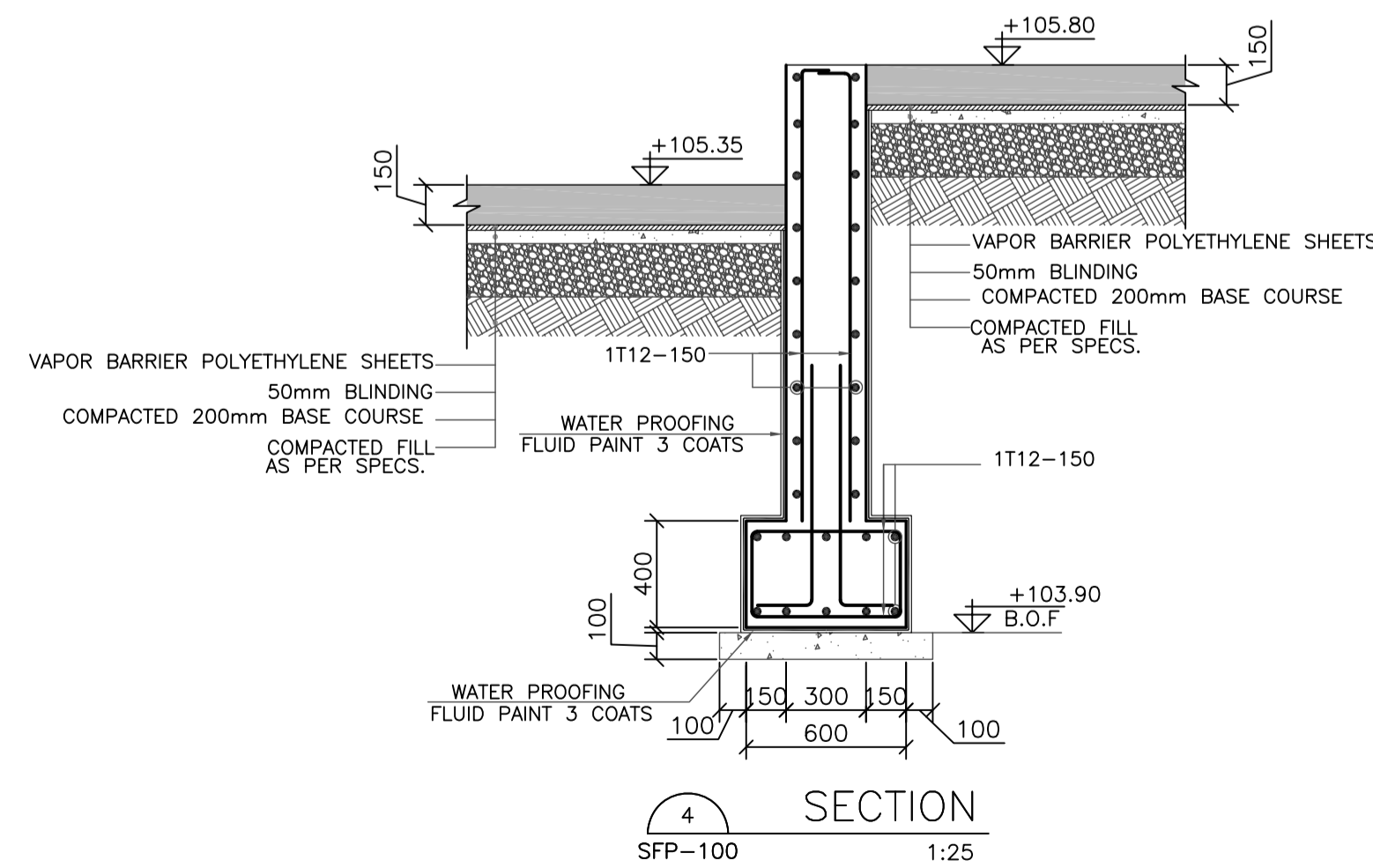
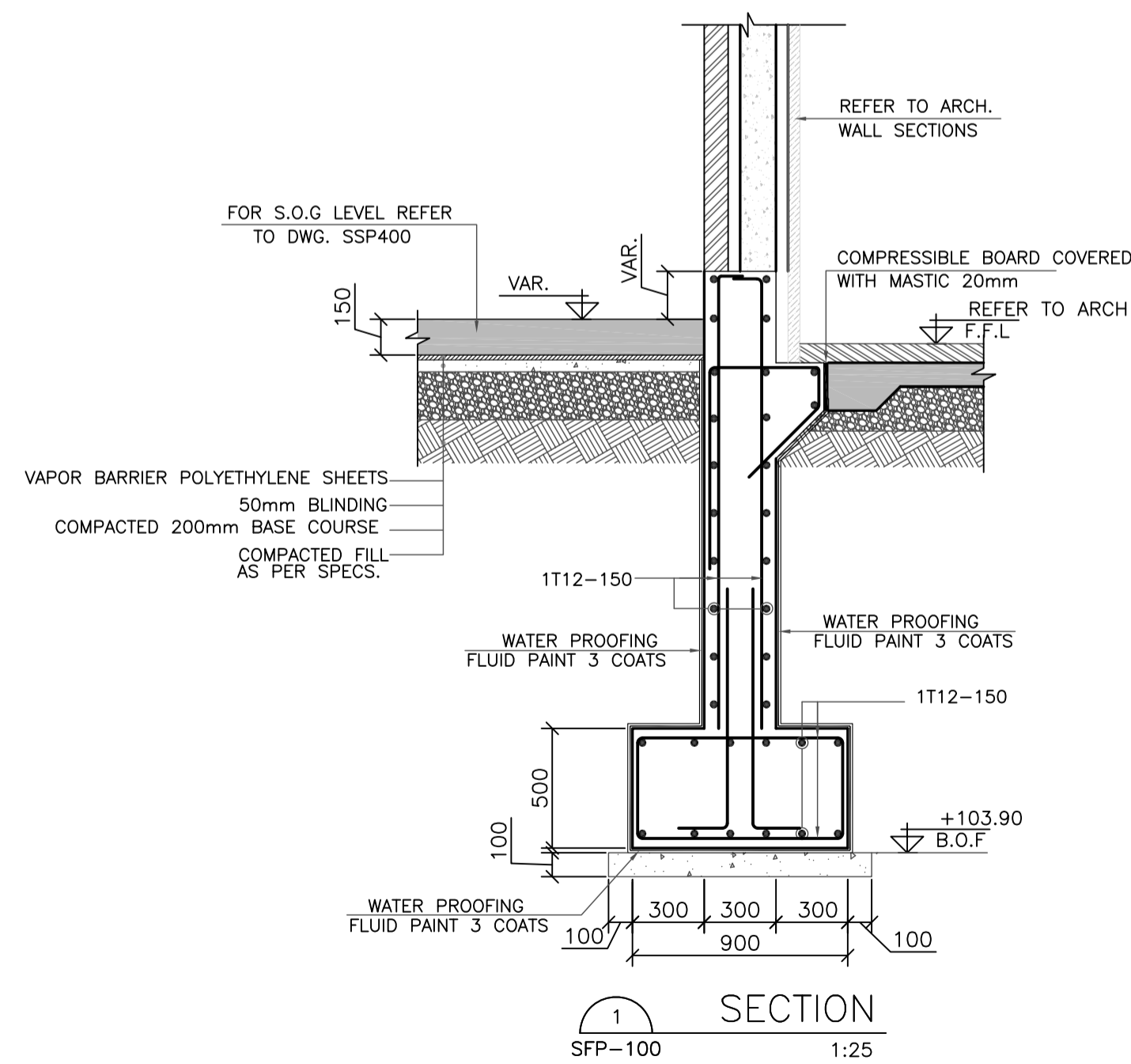
REINFORCEMENT OF FOOTINGS TABLE

FOOTING DIMENSIONS				BOTTOM REINFORCEMENT		TOP REINFORCEMENT	
FOOT. NO.	LENGTH(m)	WIDTH(m)	HEIGHT(m)	REIN. IN LONG DIR.	REIN. IN SHORT DIR.	REIN. IN LONG DIR.	REIN. IN SHORT DIR.
1	2.50	1.80	0.80	1T16-125	1T16-125	-----	-----
2	3.70	2.20	0.80	1T16-125	1T16-125	-----	-----
3	3.00	2.30	0.80	1T16-125	1T16-125	-----	-----
4	5.4	4.8	0.80	1T18-125	1T18-125	-----	-----
5	12.0	3.0	0.80	1T25-150	1T25-150	1T20-150	1T20-150
6	11.0	7.5	0.80	1T20-125	1T20-125	1T18-125	1T18-125
7	7.7	4.2	0.80	1T20-125	1T20-125	1T18-125	1T18-125
8	7.9	4.4	0.80	1T25-150	1T25-150	1T20-125	1T20-125
* 9	14.30	3.30	0.80	1T20-125	1T20-125	1T18-150	1T18-150
* 10	15.75	5.25	0.90	1T25-150	1T25-150	1T20-150	1T20-150
11	6.65	3.30	0.80	1T16-125	1T16-125	1T16-125	1T16-125
12	3.60	2.50	0.80	1T16-125	1T16-125	-----	-----
13	5.05	4.30	0.80	1T25-150	1T25-150	-----	-----
* 14	AS SHOWN ON PLAN	0.90	1T20-125	1T20-125	1T18-125	1T18-125	-----
* 15	12.40	3.50	0.80	1T25-150	1T25-150	1T20-150	1T20-150
16	3.0	2.0	0.40	1T14-150	1T14-150	-----	-----

\* REQUIRED ADDITIONAL TOP AND BOTTOM REINFORCEMENT ARE SHOWN ON PLAN.



TYPICAL FOOTING DETAIL  
1:25



NOTES:



PHASE III  
PACKAGE 2

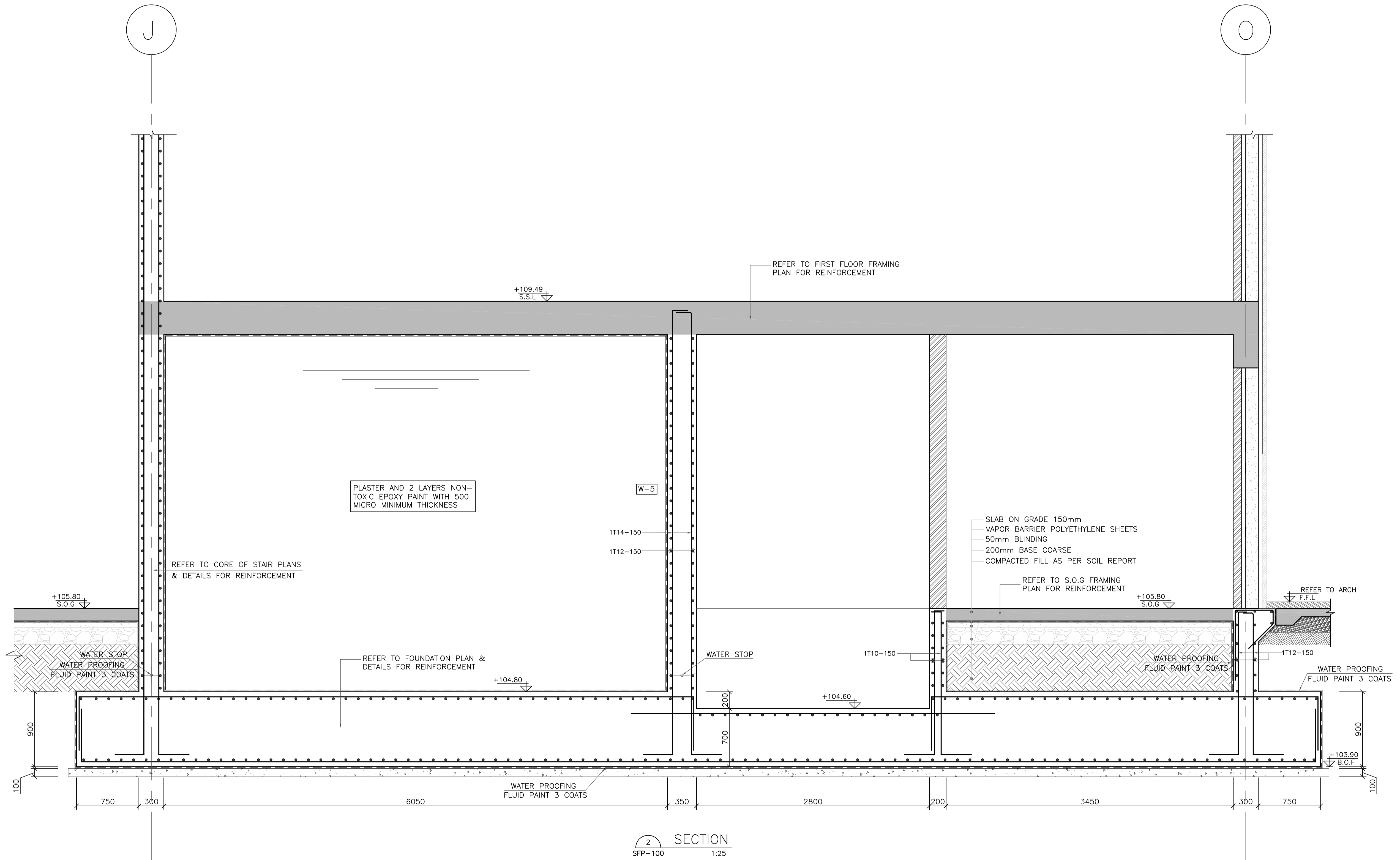
Thahr Al Sarow Basic School For Boys  
(Jerash)  
SCHOOLS FOR A KNOWLEDGE ECONOMY  
PROJECT (USAID SKEP)

DRAWING NAME:  
FOUNDATION DETAILS  
SHEET (1 OF 3)

Design:	K.S.	Drawn:	CAD	Checked:	R.K	North:		
SCALE:	1:25	Date:	JUNE 2019	Approved:	W.Z.			
DRAWING NUMBER:	SKEP 14-SFD200						Rev.:	0

REV.	DATE	REMARKS
0	JUNE 2019	VOL. IV - TENDER DRAWINGS

تم التصميم حسب الكودات المعممة  
بموجب التعليمات الفنية السارية  
مكتب رقم - ٥



SECTION 2  
SFP-100 1:25

REV.	DATE	REMARKS
0	JUNE 2019	VOL. IV - TENDER DRAWINGS

NOTES:

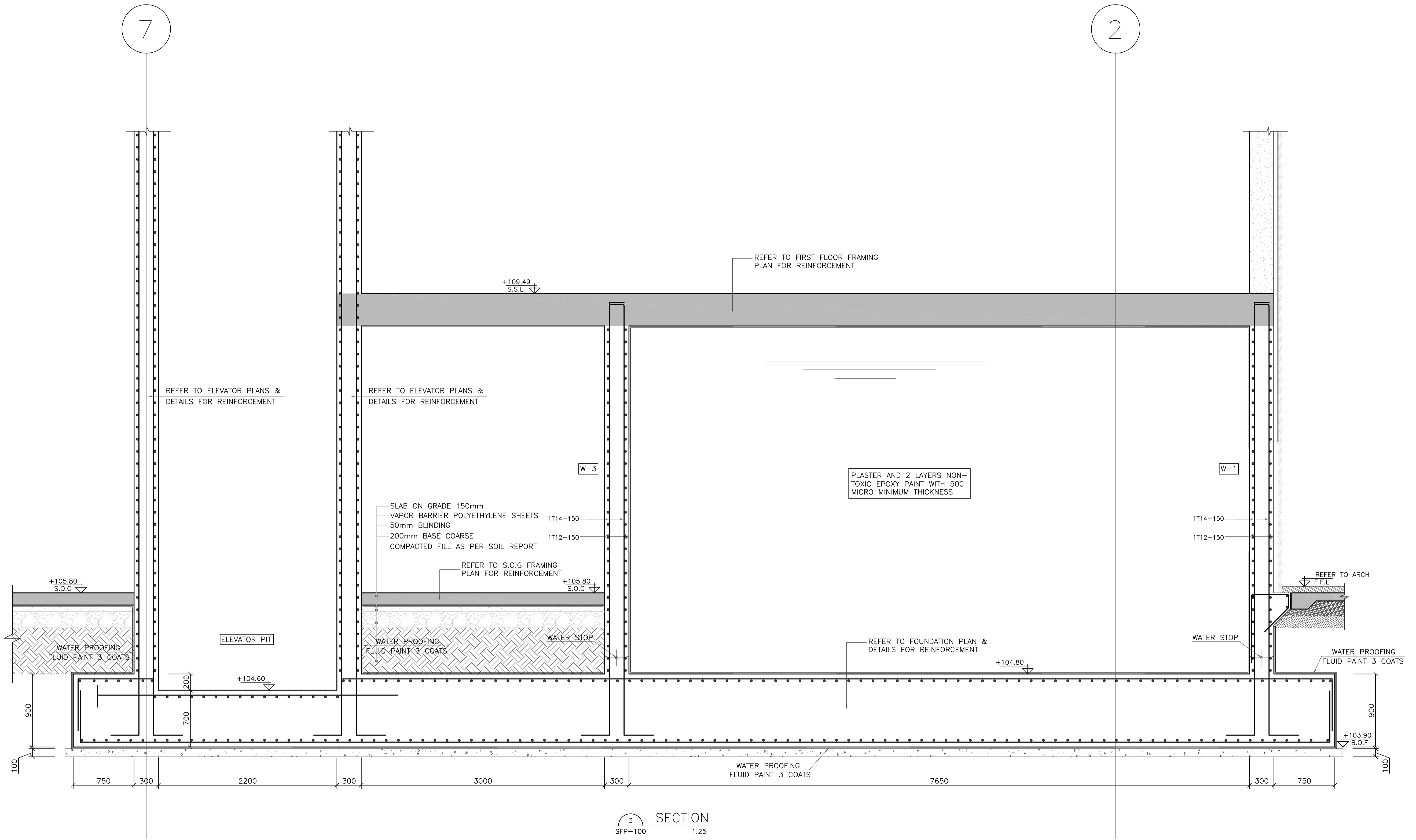


PHASE III  
PACKAGE 2  
Thahr Al Sarow Basic School For Boys (Jerash)  
SCHOOLS FOR A KNOWLEDGE ECONOMY PROJECT (USAID SKEP)

DRAWING NAME: FOUNDATION DETAILS SHEET (2 OF 3)		
PLOT No 435	LOCATION Thahr Al Sarow	BASIN NO 4 Dair Alliat

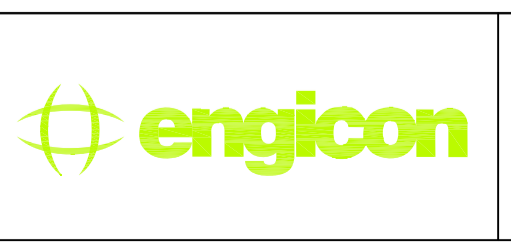
Design: K.S.	Drawn: CAD	Checked: R.K	North: ↑
SCALE: 1:25	Date: JUNE 2019	Approved: W.Z.	
DRAWING NUMBER: SKEP 14-SFD201			Rev.: 0

تم التصميم حسب الكودات المعممة  
بموجب التعليمات الفنية السارية  
مكتب رقم - ٥



REV.	DATE	REMARKS
0	JUNE 2019	VOL. IV - TENDER DRAWINGS

NOTES:

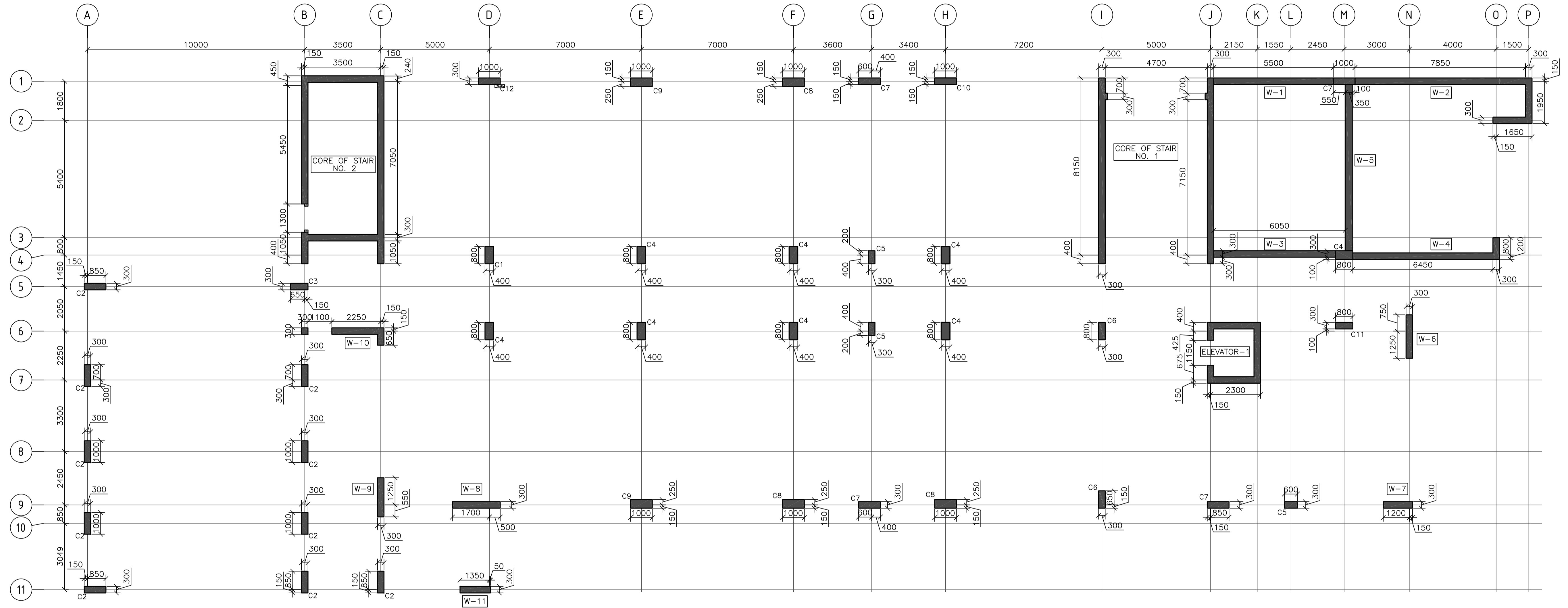


PHASE III  
PACKAGE 2  
Thahr Al Sarow Basic School For Boys  
(Jerash)  
SCHOOLS FOR A KNOWLEDGE ECONOMY  
PROJECT (USAID SKEP)

DRAWING NAME:  
FOUNDATION DETAILS  
SHEET (3 OF 3)

Design: K.S.	Drawn: CAD	Checked: R.K.	North:
SCALE: 1:25	Date: JUNE 2019	Approved: W.Z.	
PLOT No: 435	LOCATION: Thahr Al Sarow	BASIN NO: 4 Dair Alliat	Rev.: 0
DRAWING NUMBER: SKEP 14-SFD202			

تم التصميم حسب الكودات المعممة  
بموجب التعليمات الفنية السارية  
مكتب رقم - ٥



REV.	DATE	REMARKS
0	JUNE 2019	VOL. IV - TENDER DRAWINGS

NOTES:

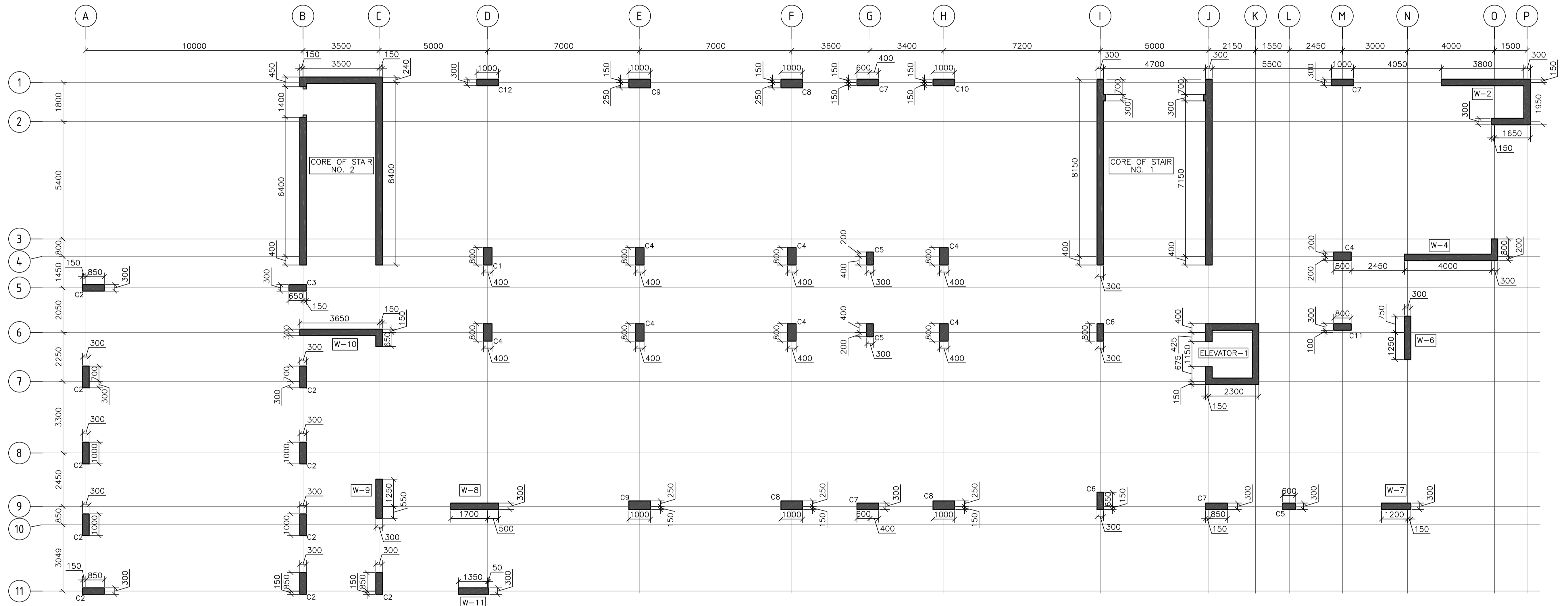


PHASE III  
PACKAGE 2  
Thahr Al Sarow Basic School For Boys (Jerash)  
SCHOOLS FOR A KNOWLEDGE ECONOMY PROJECT (USAID SKEP)

DRAWING NAME:  
GROUND FLOOR COLUMNS LAYOUT  
PLOT No: 435  
LOCATION: Thahr Al Sarow  
BASIN NO: 4 Dair Alliat

Design: K.S.  
SCALE: 1:100  
DRAWING NUMBER: SKEP 14-SCP300  
Drawn: CAD  
Date: JUNE 2019  
Checked: R.K.  
Approved: W.Z.  
North:

تم التصميم حسب الكودات المعممة  
بموجب التعليمات الفنية السارية  
مكتب رقم - ٥



REV.	DATE	REMARKS
0	JUNE 2019	VOL. IV - TENDER DRAWINGS

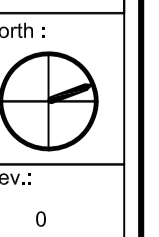
NOTES:



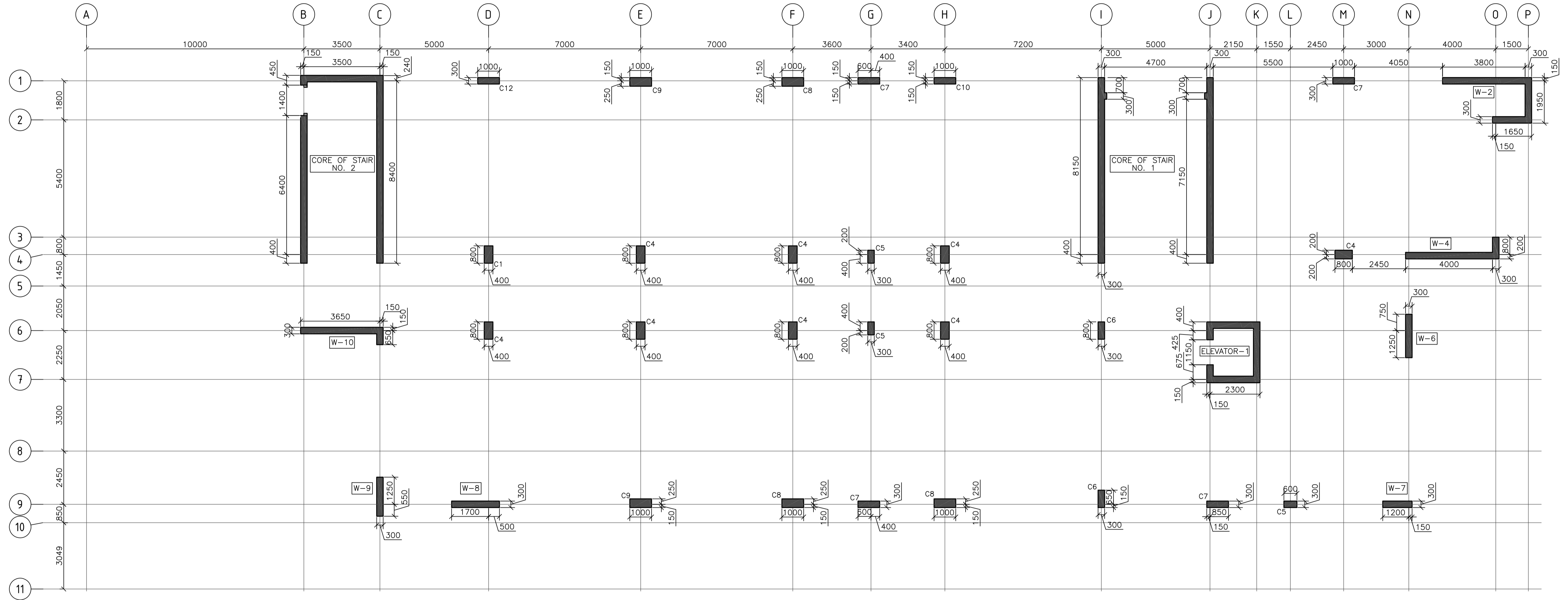
PHASE III  
PACKAGE 2  
Thahr Al Sarow Basic School For Boys  
(Jerash)  
SCHOOLS FOR A KNOWLEDGE ECONOMY  
PROJECT (USAID SKEP)

DRAWING NAME:  
FIRST FLOOR COLUMNS LAYOUT  
PLOT No: 435  
LOCATION: Thahr Al Sarow  
BASIN NO: 4 Dair Alliat

Design: K.S.  
SCALE: 1:100  
DRAWING NUMBER: SKEP 14-SCP301  
Drawn: CAD  
Date: JUNE 2019  
Checked: R.K.  
Approved: W.Z.  
Rev.: 0



تم التصميم حسب الكودات المعممة  
بموجب التعليمات الفنية السارية  
مكتب رقم - ٥



REV.	DATE	REMARKS
0	JUNE 2019	VOL. IV - TENDER DRAWINGS

NOTES:



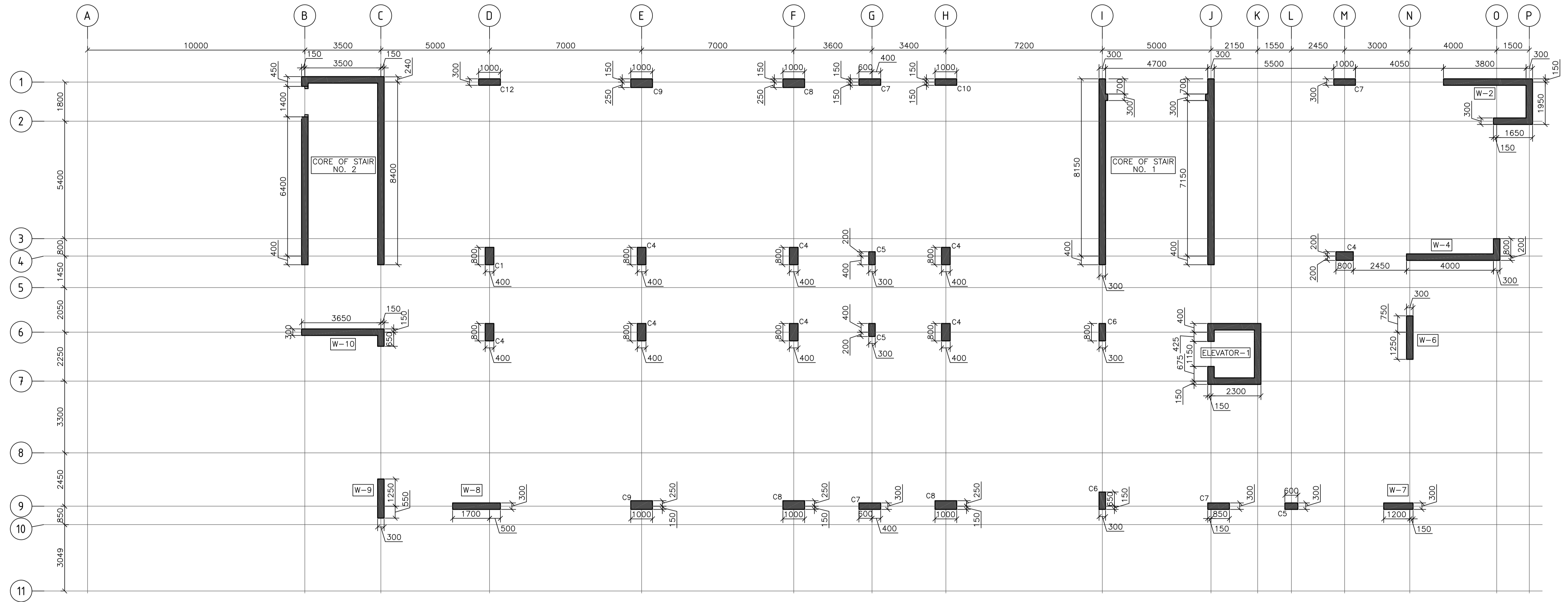
PHASE III  
PACKAGE 2

Thahr Al Sarow Basic School For Boys  
(Jerash)  
SCHOOLS FOR A KNOWLEDGE ECONOMY  
PROJECT (USAID SKEP)

DRAWING NAME:  
SECOND FLOOR COLUMNS LAYOUT

Design: K.S.	Drawn: CAD	Checked: R.K	North:
SCALE: 1:100	Date: JUNE 2019	Approved: W.Z.	
DRAWING NUMBER: SKEP 14-SCP302	Rev.: 0		

تم التصميم حسب الكودات المعممة  
بموجب التعليمات الفنية السارية  
مكتب رقم - ٥



NOTES:



PHASE III  
PACKAGE 2

Thahr Al Sarow Basic School For Boys  
(Jerash)  
SCHOOLS FOR A KNOWLEDGE ECONOMY  
PROJECT (USAID SKEP)

DRAWING NAME:  
THIRD FLOOR COLUMNS LAYOUT

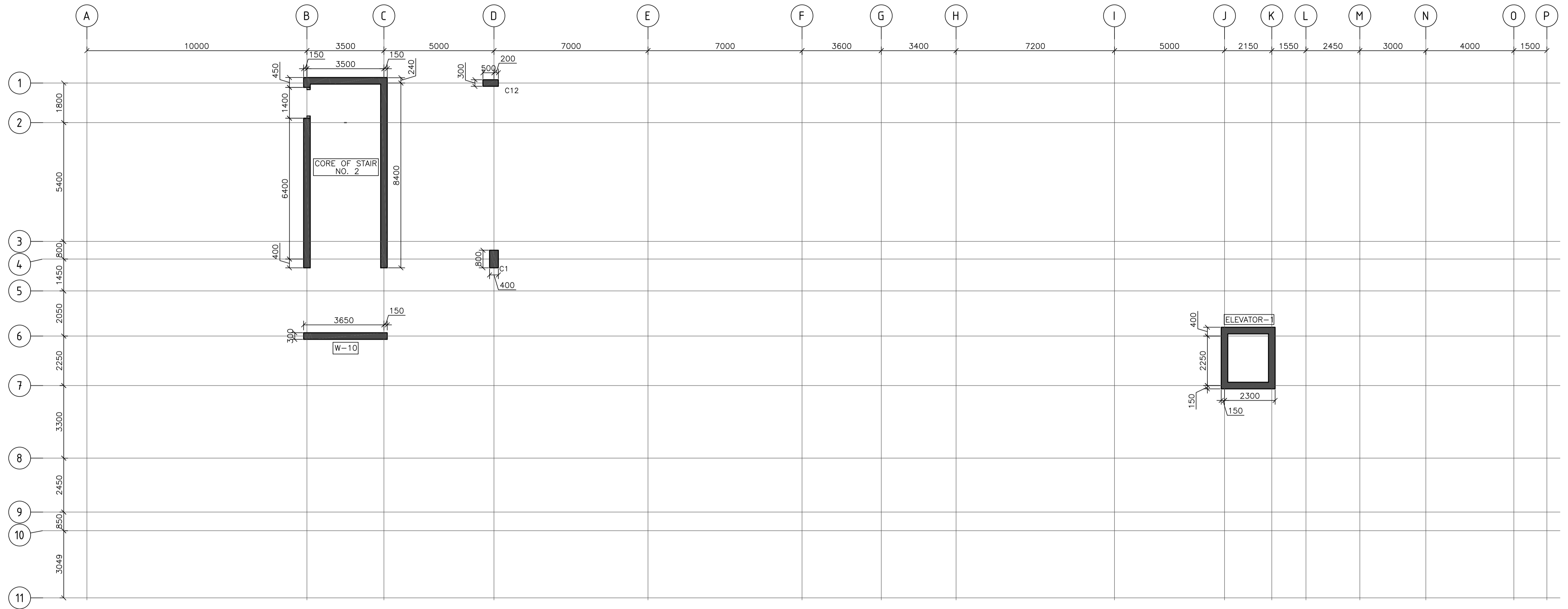
Design: K.S. Drawn: CAD Checked: R.K.  
SCALE: 1:100 Date: JUNE 2019 Approved: W.Z.

DRAWING NUMBER:  
SKEP 14-SCP303

Rev.: 0  
North:

REV.	DATE	REMARKS
0	JUNE 2019	VOL. IV - TENDER DRAWINGS

تم التصميم حسب الكودات المعممة  
بموجب التعليمات الفنية السارية  
مكتب رقم - ٥



REV.	DATE	REMARKS
0	JUNE 2019	VOL. IV - TENDER DRAWINGS

NOTES:



PHASE III  
PACKAGE 2

Thahr Al Sarow Basic School For Boys  
(Jerash)  
SCHOOLS FOR A KNOWLEDGE ECONOMY  
PROJECT (USAID SKEP)

DRAWING NAME:  
ROOF FLOOR COLUMNS LAYOUT

Design:	K.S.	Drawn:	CAD	Checked:	R.K	North:	
SCALE:	1:100	Date:	JUNE 2019	Approved:	W.Z.		
DRAWING NUMBER:	SKEP 14-SCP304			Rev.:	0		



تم التصميم حسب الكودات المعممة  
بموجب التعليمات الفنية السارية  
مكتب رقم - ٥

COLUMN No.	C1	C2	C3	C4	C5	C6	C7	C8	C9	C10	C11	C12
FLOOR												
GROUND												
FIRST		REFER TO FIRST FLOOR PLAN FOR END LEVEL OF C2	REFER TO FIRST FLOOR PLAN FOR END LEVEL OF C3									
SECOND												
THIRD												
ROOF												
No. OF COL ON GF. PLAN	(1)	(10)	(1)	(8)	(3)	(3)	(4)	(3)	(2)	(2)	(1)	(1)

NOTES:



**USAID**  
FROM THE AMERICAN PEOPLE



PHASE III  
PACKAGE 2

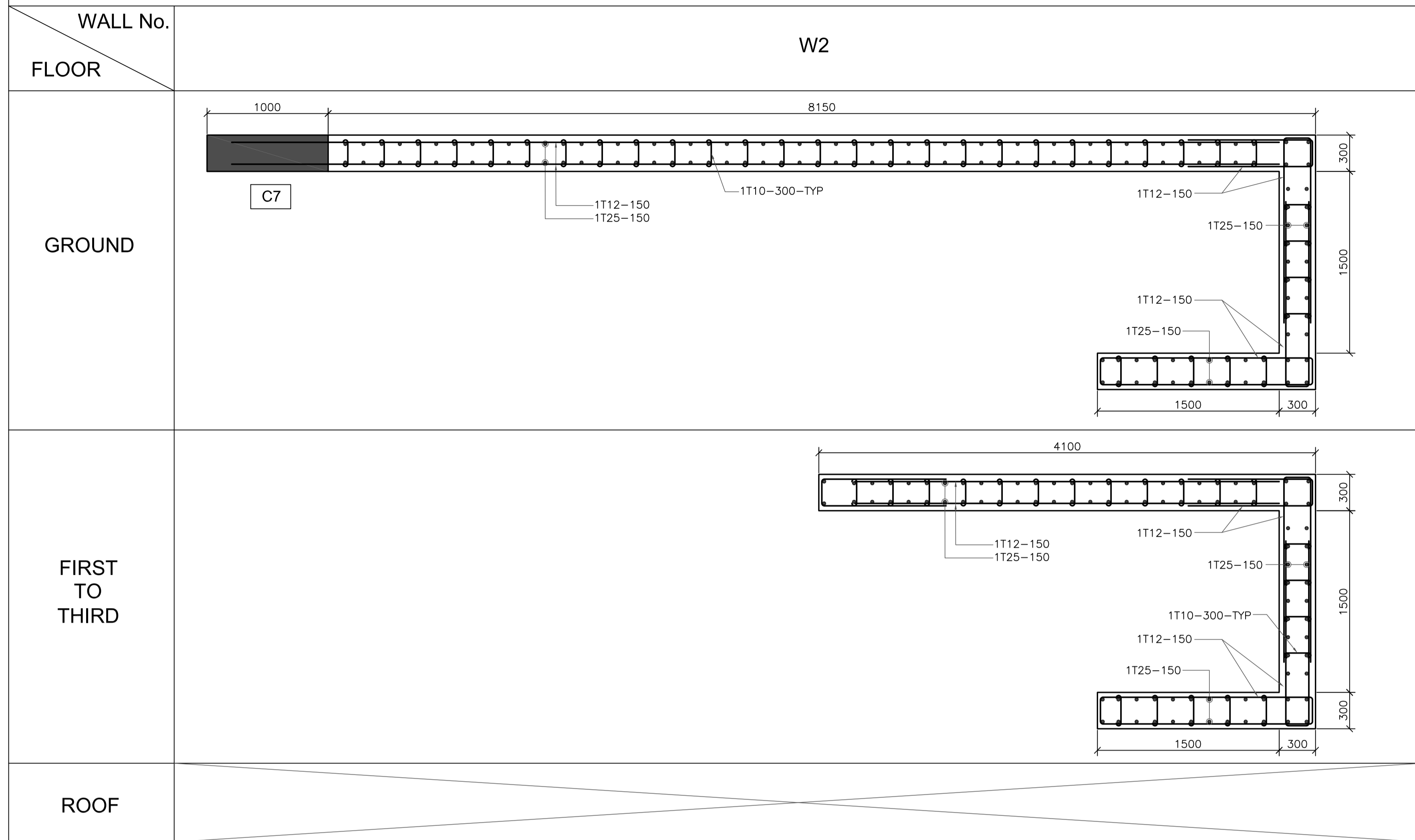
Thahr Al Sarow Basic School For Boys  
(Jerash)  
SCHOOLS FOR A KNOWLEDGE ECONOMY  
PROJECT (USAID SKEP)

DRAWING NAME:  
COLUMNS REINFORCEMENT  
SCHEDULE

Design: K.S.	Drawn: CAD	Checked: R.K.	North:
SCALE: 1:25	Date: JUNE 2019	Approved: W.Z.	
PLOT No: 435	LOCATION: Thahr Al Sarow	BASIN NO: 4 Dair Alliat	DRAWING NUMBER: SKEP 14-SCP305
REV. DATE	REMARKS	Rev.:	0

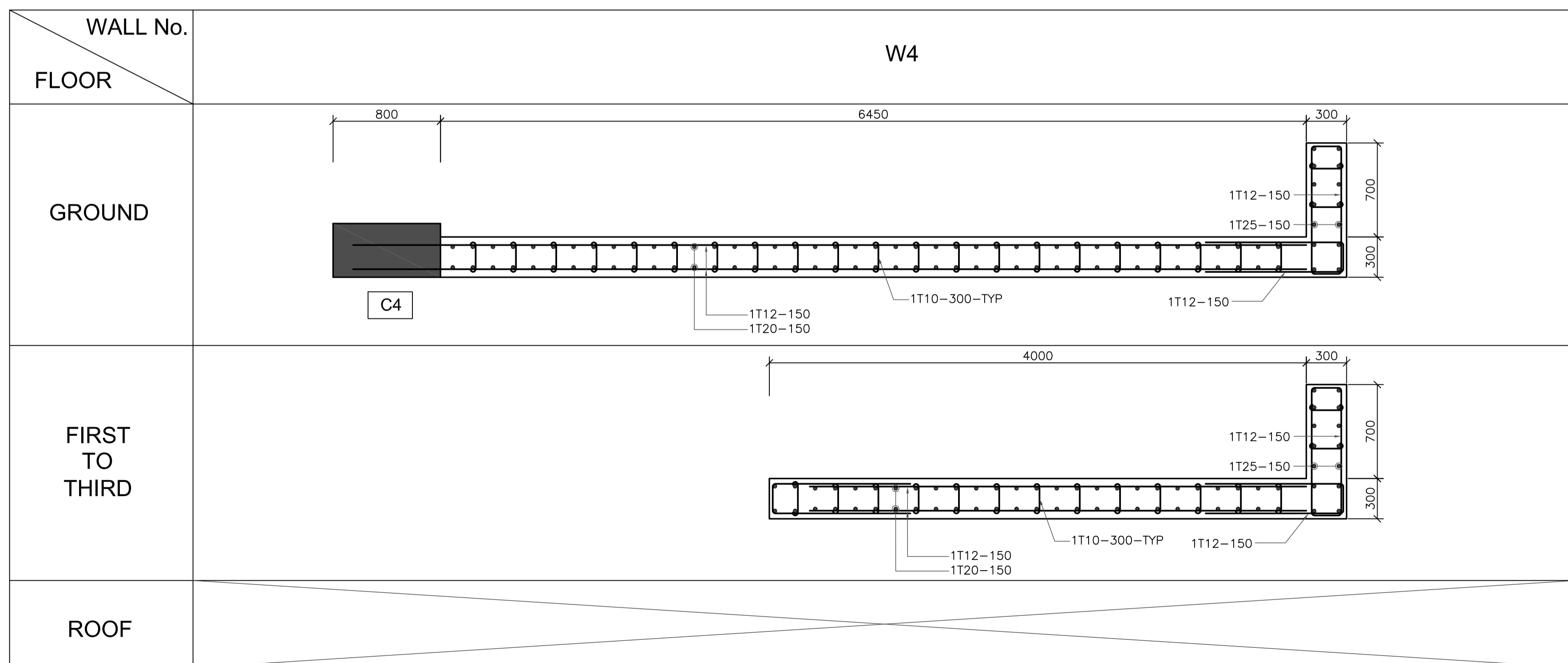
تم التصميم حسب الكودات المعمدة بموجب التعليمات الفنية السارية مكتب رقم - ٥

WALLS REINFORCEMENT SCHEDULE



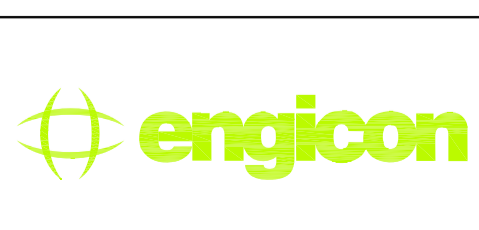
NOTE:

- FOR WALLS (W1,W3 & W5) REFER TO DRAWING No. SKEP 14-SFD201 & SKEP 14-SFD202.



REV.	DATE	REMARKS
0	JUNE 2019	VOL. IV - TENDER DRAWINGS

NOTES:



PHASE III  
PACKAGE 2  
Thahr Al Sarow Basic School For Boys (Jerash)  
SCHOOLS FOR A KNOWLEDGE ECONOMY PROJECT (USAID SKEP)

DRAWING NAME:  
SINGLE WALLS REINFORCEMENT SCHEDULE  
SHEET (1 OF 2)

Design:	K.S.	Drawn:	CAD	Checked:	R.K	North:		
SCALE:	1:25	Date:	JUNE 2019	Approved:	W.Z.			
DRAWING NUMBER:	SKEP 14-SCP306						Rev.:	0

تم التصميم حسب الكودات المعممة بموجب التعليمات الفنية السارية  
مكتب رقم - ٥

WALLS REINFORCEMENT SCHEDULE

WALL No.	W6	W7	W8	W9
FLOOR				
GROUND				
FIRST TO THIRD				
ROOF	X			

WALL No.	W10	W11
FLOOR		
GROUND		
FIRST TO THIRD		REFER TO FIRST FLOOR PLAN FOR END LEVEL OF W11
ROOF		X

NOTES:



**USAID**  
FROM THE AMERICAN PEOPLE



PHASE III  
PACKAGE 2

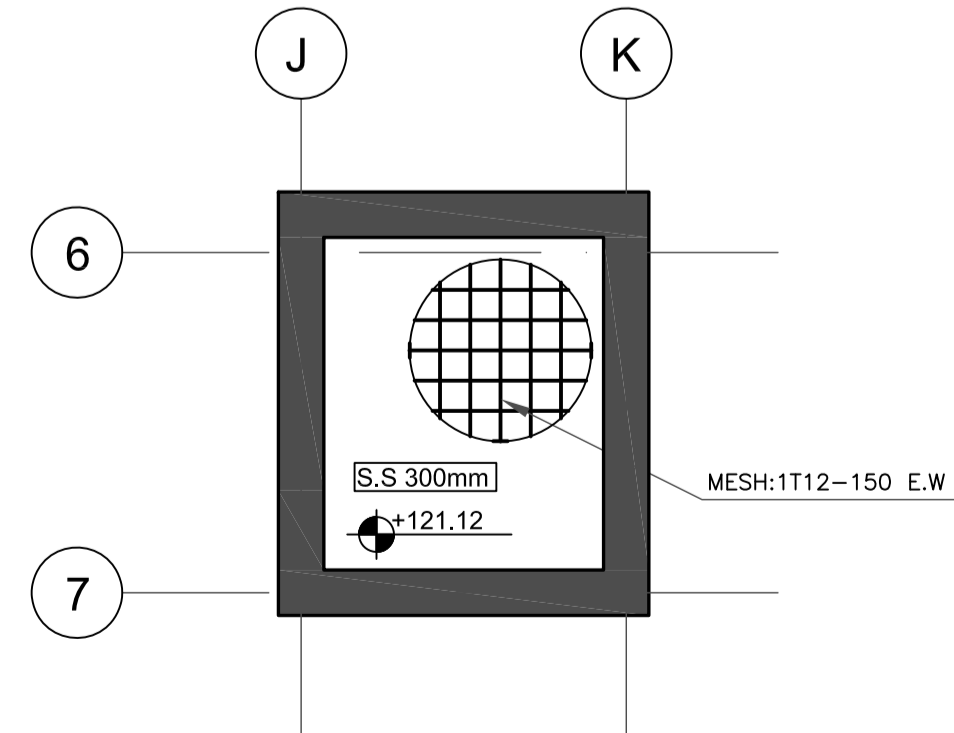
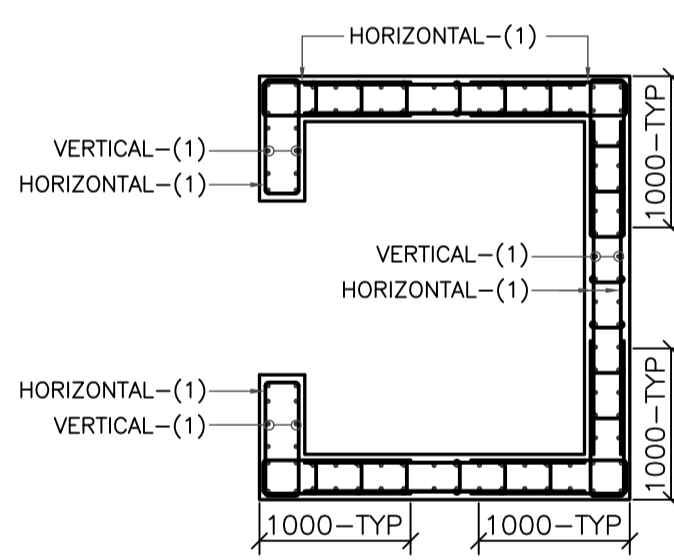
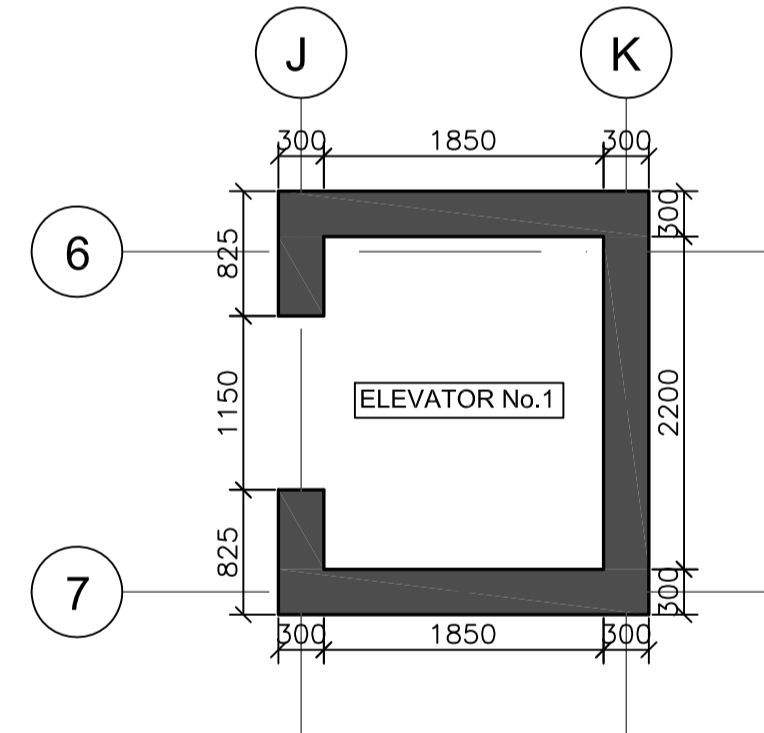
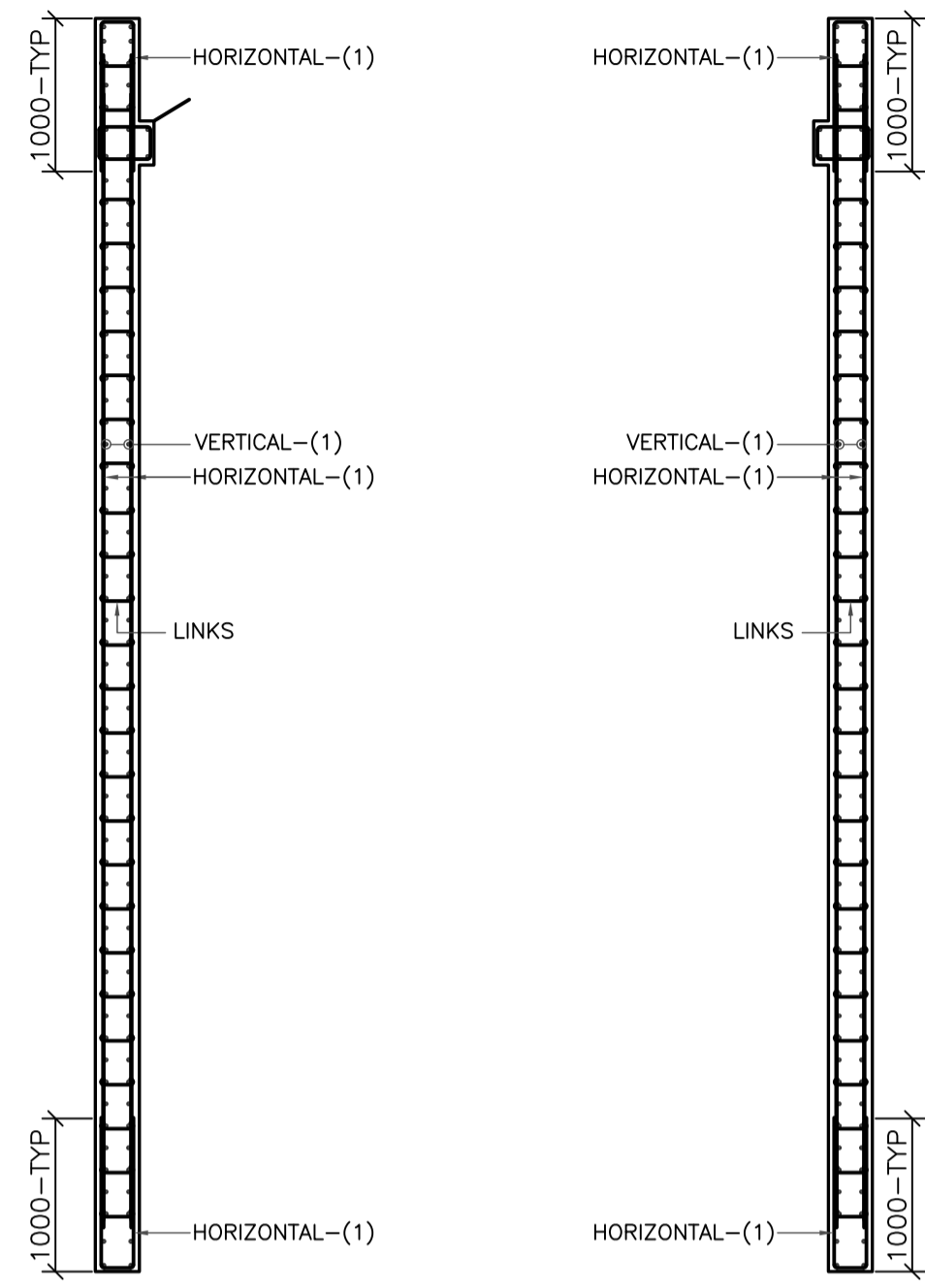
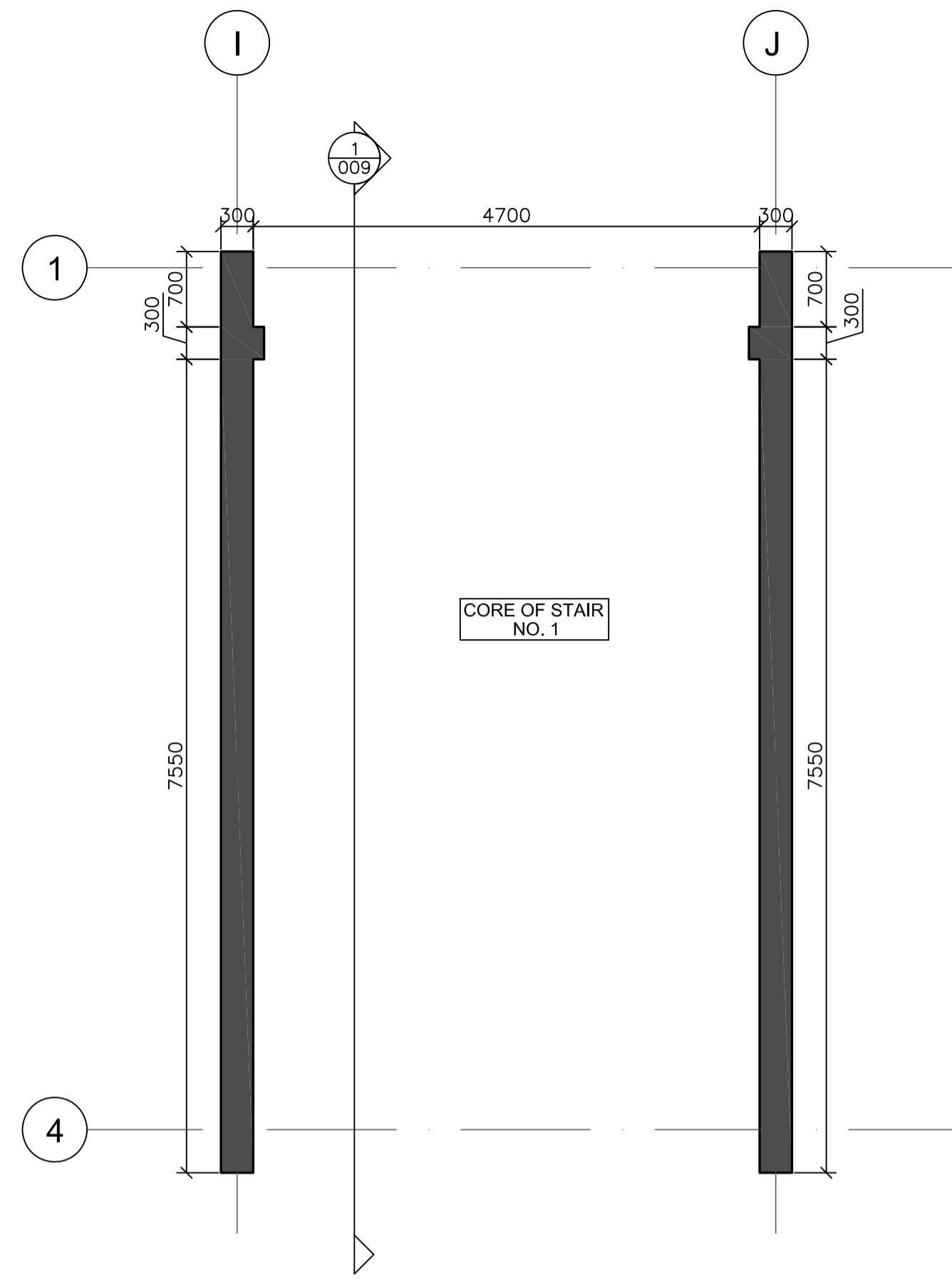
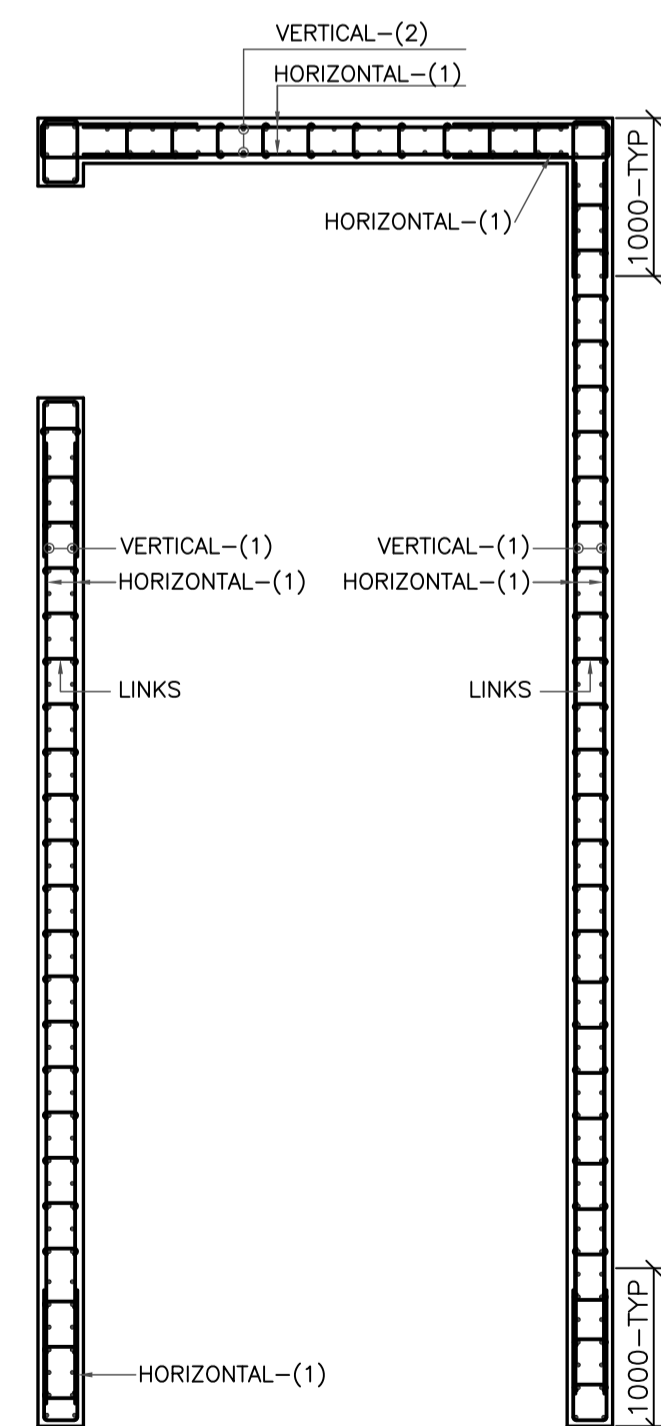
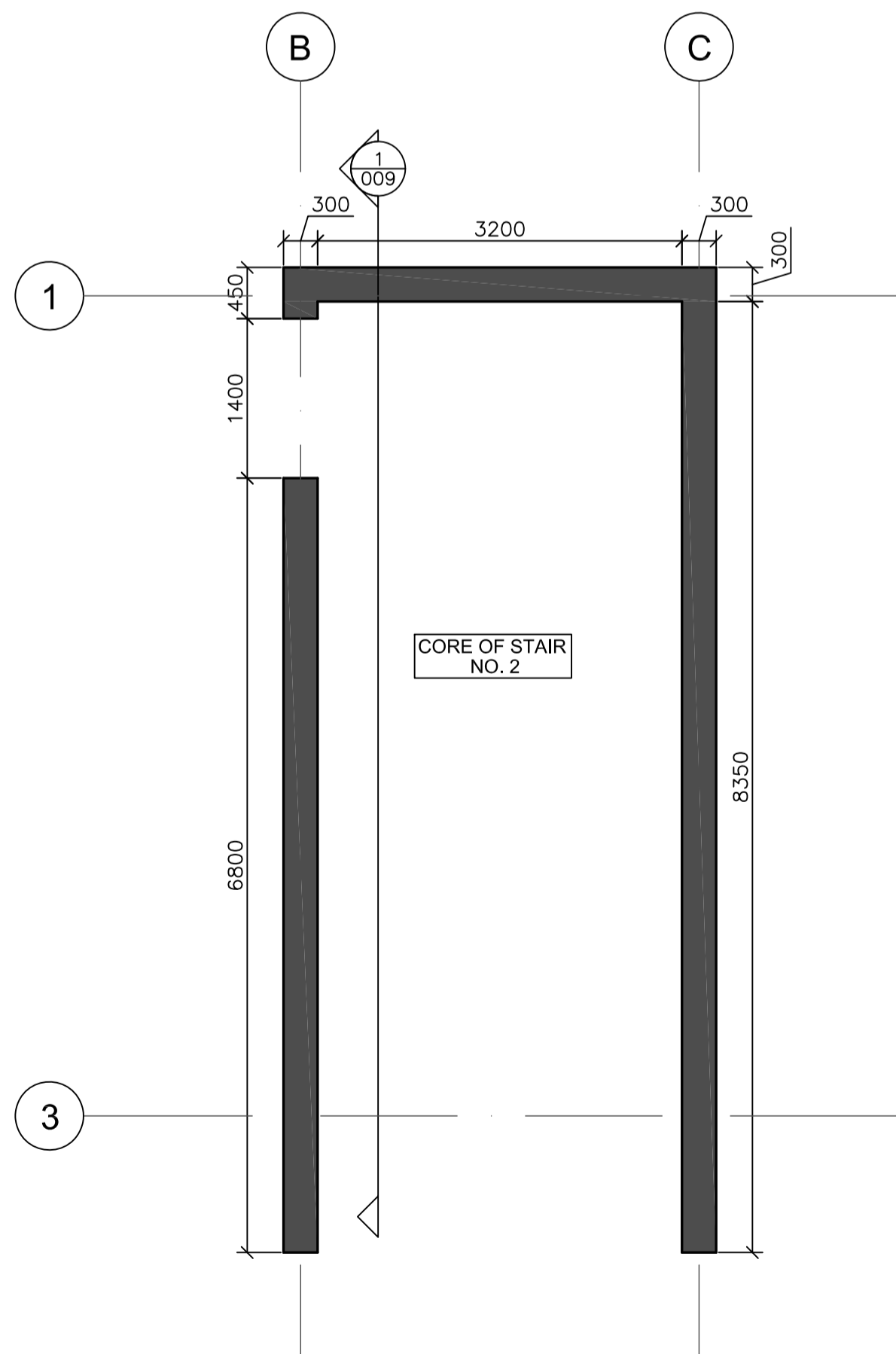
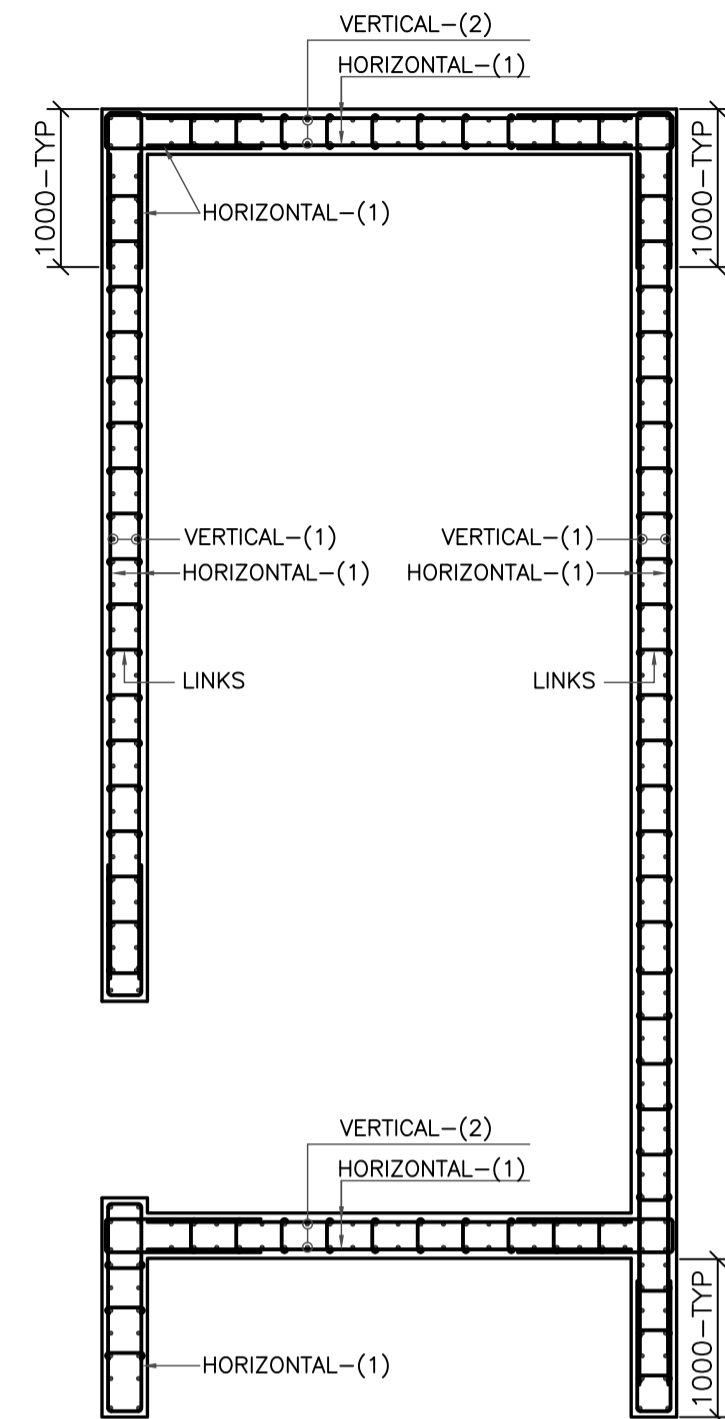
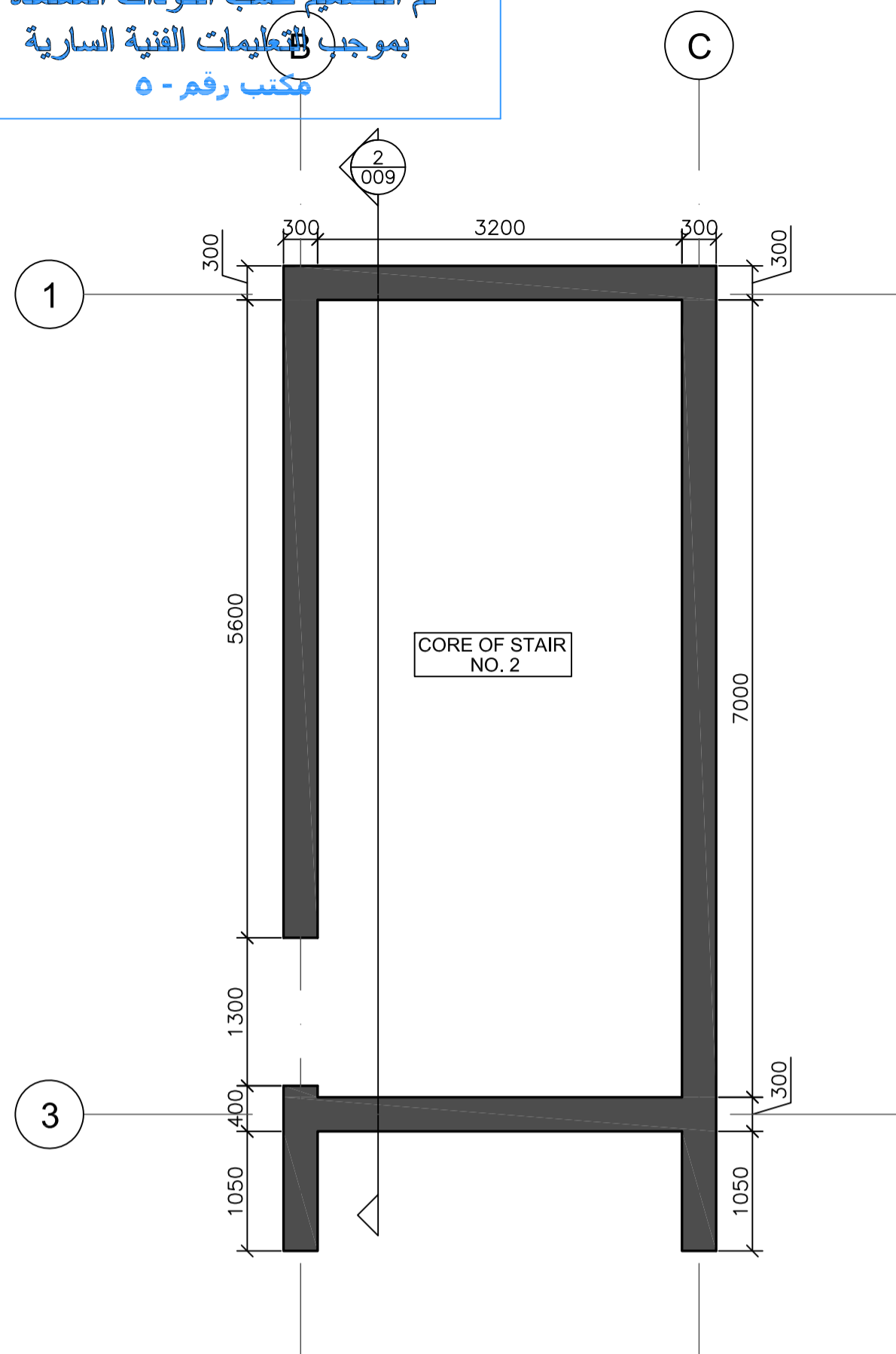
Thahr Al Sarow Basic School For Boys  
(Jerash)  
SCHOOLS FOR A KNOWLEDGE ECONOMY  
PROJECT (USAID SKEP)

DRAWING NAME:  
SINGLE WALLS REINFORCEMENT  
SCHEDULE  
SHEET (2 OF 2)

Design: K.S.	Drawn: CAD	Checked: R.K	North:
SCALE: 1:25	Date: JUNE 2019	Approved: W.Z.	
DRAWING NUMBER: SKEP 14-SCP307		Rev.: 0	

REV.	DATE	REMARKS
0	JUNE 2019	VOL. IV - TENDER DRAWINGS

تم التصميم حسب الكودات المعممة بموجب تعليمات الفنية السارية  
مكتب رقم - ٥



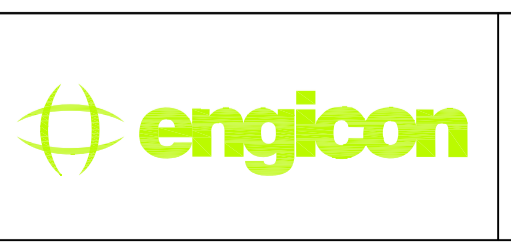
REINFORCEMENT OF ELEVATOR No.1			
FLOOR	HORIZONTAL (1)	VERTICAL (1)	LINKS
GROUND	1T12-150	1T14-150	1T10-300
FIRST TO THIRD	1T12-150	1T14-150	1T10-300
ROOF	1T12-150	1T14-150	1T10-300

REINFORCEMENT OF CORE OF STAIR No.1			
FLOOR	HORIZONTAL (1)	VERTICAL (1)	LINKS
GROUND	1T12-150	1T14-150	1T10-300
FIRST TO THIRD	1T12-150	1T14-150	1T10-300
ROOF			

REINFORCEMENT OF CORE OF STAIR No.2				
FLOOR	HORIZONTAL (1)	VERTICAL (1)	VERTICAL (2)	LINKS
GROUND	1T12-150	1T16-150	1T18-150	1T10-300
FIRST	1T12-150	1T16-150	1T18-150	1T10-300
SECOND	1T12-150	1T16-150	1T18-150	1T10-300
ROOF	1T12-150	1T16-150	1T18-150	1T10-300

REV.	DATE	REMARKS
0	JUNE 2019	VOL. IV - TENDER DRAWINGS

NOTES:

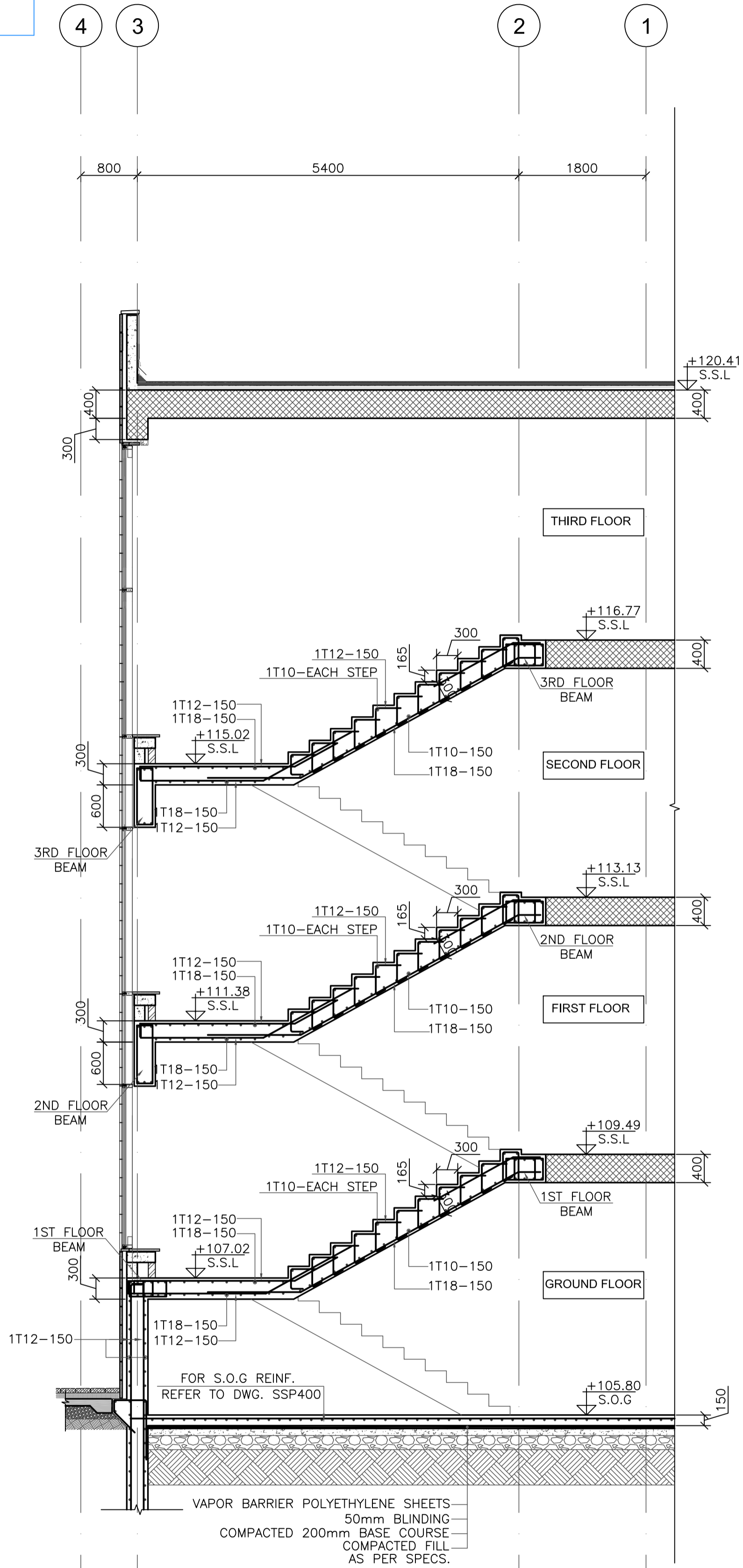


PHASE III  
PACKAGE 2  
Thahr Al Sarow Basic School For Boys (Jerash)  
SCHOOLS FOR A KNOWLEDGE ECONOMY PROJECT (USAID SKEP)

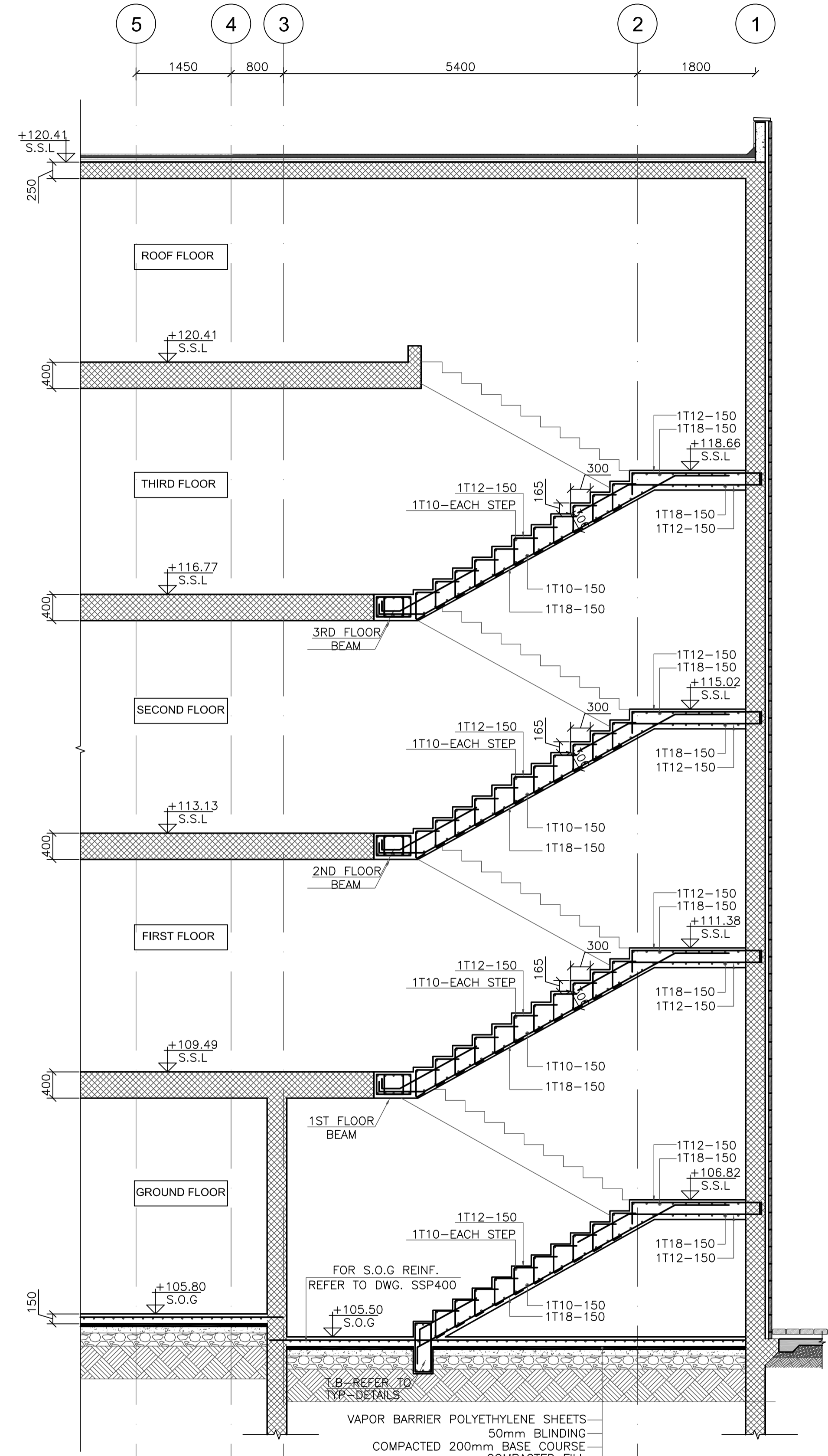
DRAWING NAME:  
CORE OF STAIRS No.(1 & 2) & ELEVATOR REINFORCEMENT DETAILS  
Design: K.S.  
Drawn: CAD  
Checked: R.K.  
SCALE: 1:50  
Date: JUNE 2019  
Approved: W.Z.

DRAWING NUMBER:  
SKEP 14-SCP308  
PLOT No: 435  
LOCATION: Thahr Al Sarow  
BASIN NO: 4 Dair Alliat  
Rev.: 0

تم التصميم حسب الكودات المعممة  
بموجب التعليمات الفنية السارية  
مكتب رقم - ٥



SECTION 1  
1:50

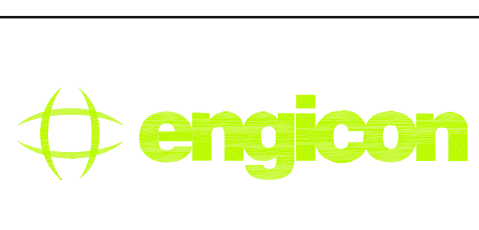


SECTION 2  
1:50

- \* STAIRS FLIGHTS ARE SUPPORTED ON LANDINGS .
- \* REINFORCEMENT ARRANGEMENT SHOWN IN SECTION ABOVE SHOULD BE FOLLOWED.
- \* FOR LEVELS, FINISHES AND DIMENSIONS REFER TO ARCHITECTURAL DRAWINGS.
- \* REFER TO TIE BEAMS TYPICAL DETAILS.
- \* REFER TO FLOOR BEAMS CONNECTED TO STAIRS FOR DIMENSION AND REINFORCEMENT.

REV.	DATE	REMARKS
0	JUNE 2019	VOL. IV - TENDER DRAWINGS

NOTES:



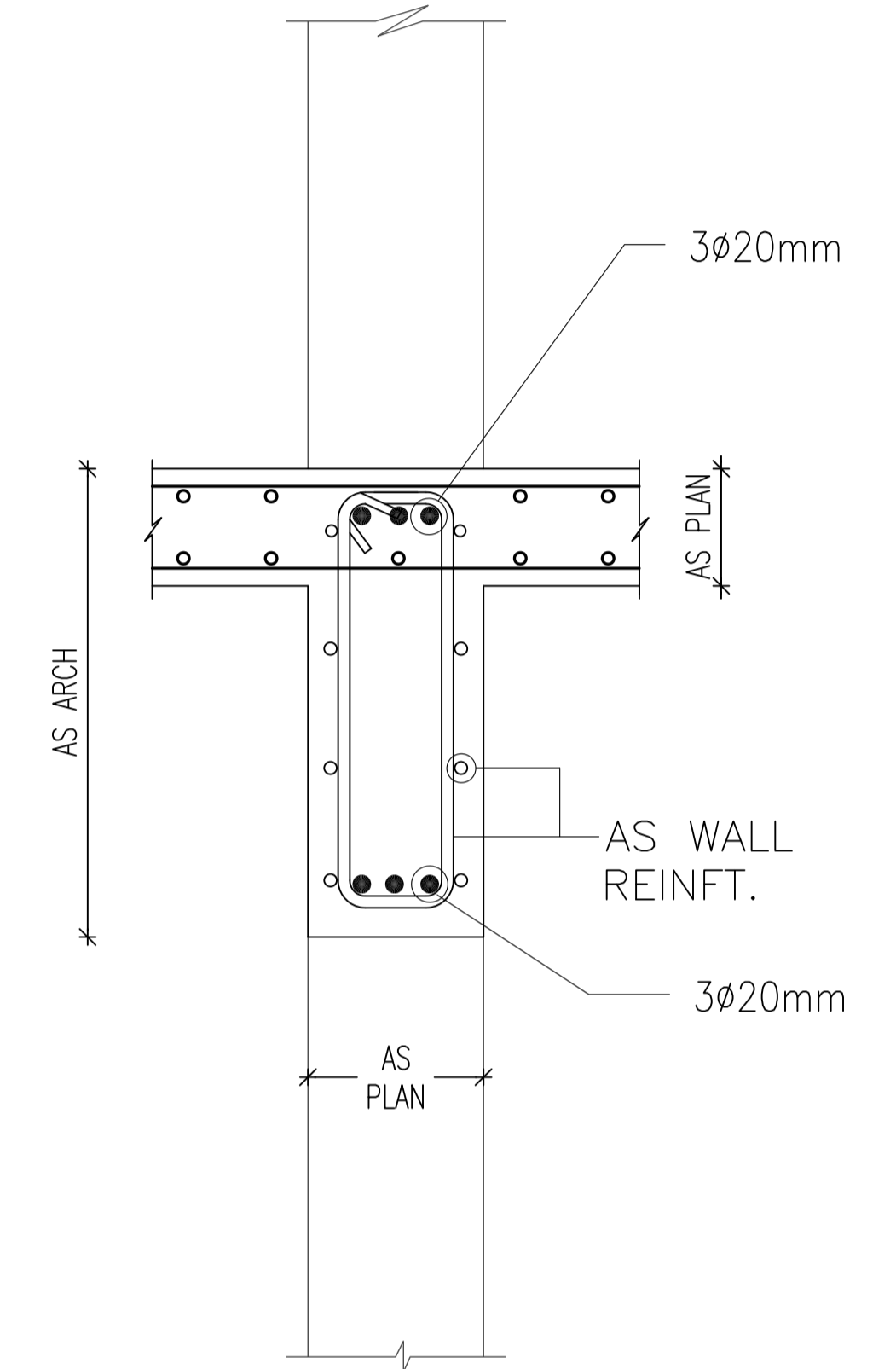
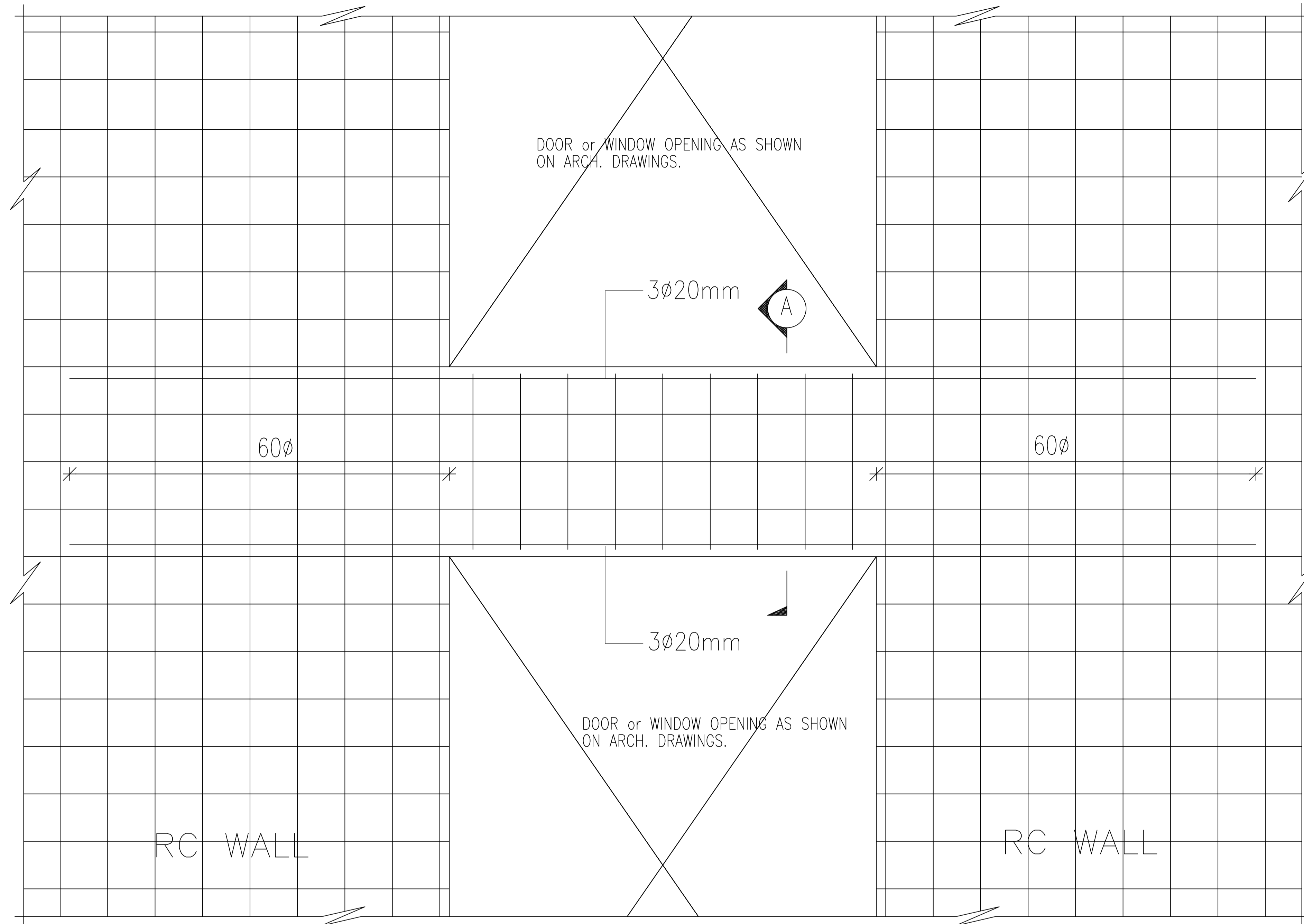
PHASE III  
PACKAGE 2  
Thahr Al Sarow Basic School For Boys (Jerash)  
SCHOOLS FOR A KNOWLEDGE ECONOMY PROJECT (USAID SKEP)

DRAWING NAME:  
SECTION IN STAIR CASE No.1 & 2  
PLOT No 435  
LOCATION Thahr Al Sarow  
BASIN NO 4 Dair Alliat

Design: K.S.  
SCALE: 1:50  
DRAWING NUMBER: SKEP 14-SCP309

Drawn: CAD  
Date: JUNE 2019  
Checked: R.K.  
Approved: W.Z.  
North:

تم التصميم حسب الكودات المعممة  
بموجب التعليمات الفنية السارية  
مكتب رقم - ٥



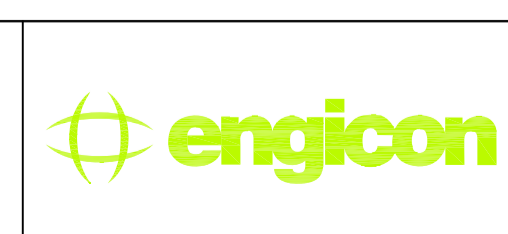
SECTION A-A

**TYPICAL DETAIL OF COUPLING BEAM IN SHEAR WALL OPENINGS (U.N.O.)**

N.T.S.

REV.	DATE	REMARKS
0	JUNE 2019	VOL. IV - TENDER DRAWINGS

NOTES:

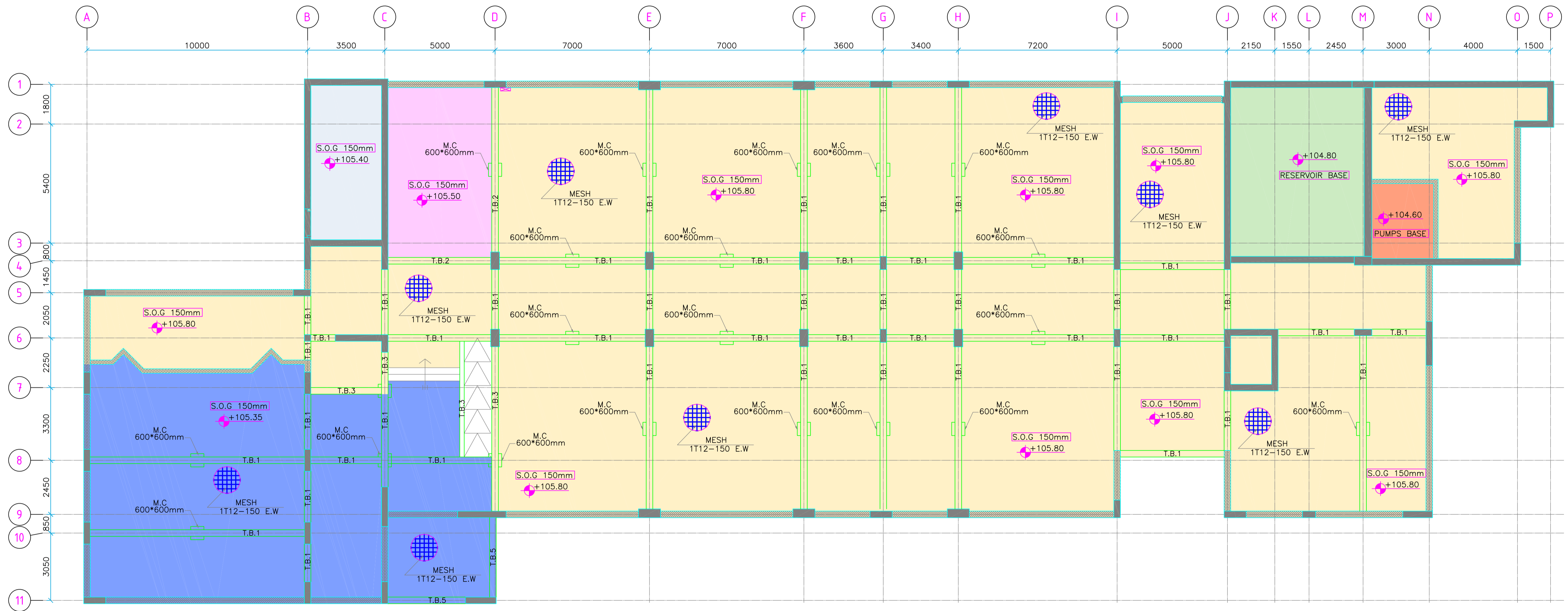


PHASE III  
PACKAGE 2  
Thahr Al Sarow Basic School For Boys  
(Jerash)  
SCHOOLS FOR A KNOWLEDGE ECONOMY  
PROJECT (USAID SKEP)

DRAWING NAME:  
COUPLING BEAM TYPICAL DETAIL

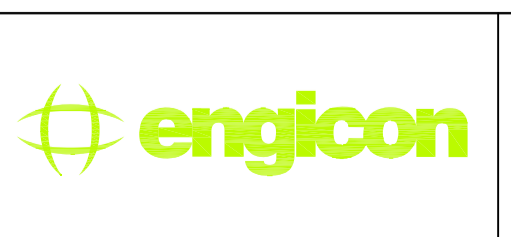
Design: K.S.	Drawn: CAD	Checked: R.K	North:
SCALE: N.T.S.	Date: JUNE 2019	Approved: W.Z.	
PLOT No: 435	LOCATION: Thahr Al Sarow	BASIN NO: 4 Dair Alliat	DRAWING NUMBER: SKEP 14-SCP310
			Rev.: 0

تم التصميم حسب الكودات المعممة  
بموجب التعليمات الفنية السارية  
مكتب رقم - ٥



REV.	DATE	REMARKS
0	JUNE 2019	VOL. IV - TENDER DRAWINGS

NOTES:

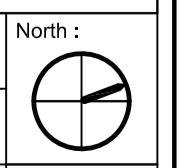


PHASE III  
PACKAGE 2  
Thahr Al Sarow Basic School For Boys (Jerash)  
SCHOOLS FOR A KNOWLEDGE ECONOMY PROJECT (USAID SKEP)

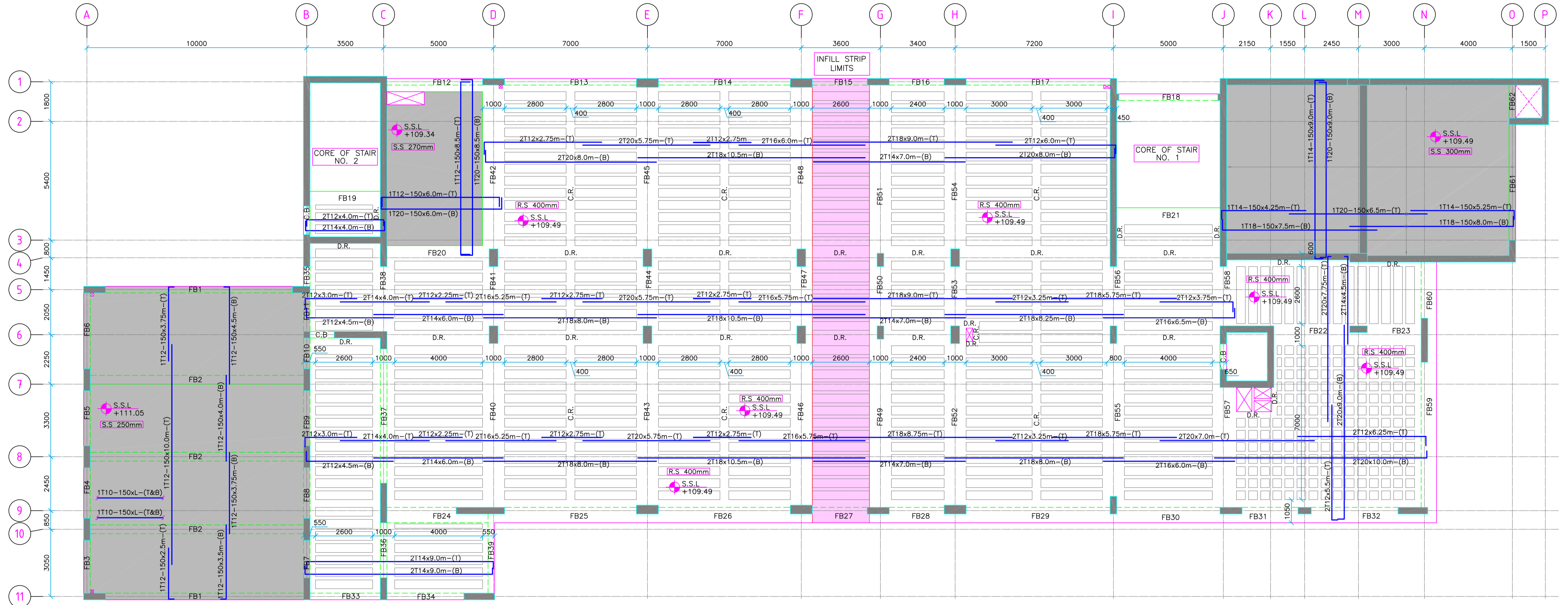
DRAWING NAME:  
SLAB ON GRADE FRAMING PLAN  
PLOT No: 435  
LOCATION: Thahr Al Sarow  
BASIN NO: 4 Dair Alliat

Design: K.S.  
SCALE: 1:100  
DRAWING NUMBER: SKEP 14-SSP400

Drawn: CAD  
Date: JUNE 2019  
Checked: R.K.  
Approved: I.K.  
Rev.: 0

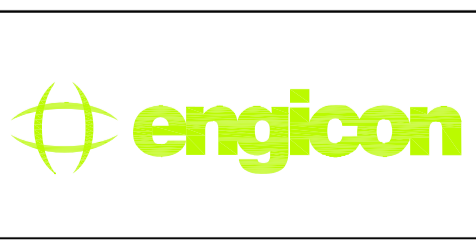


تم التصميم حسب الكودات المعمدة بموجب التعليمات الفنية السارية  
 مكتب رقم - ٥



REV.	DATE	REMARKS
0	JUNE 2019	VOL. IV - TENDER DRAWINGS

NOTES:



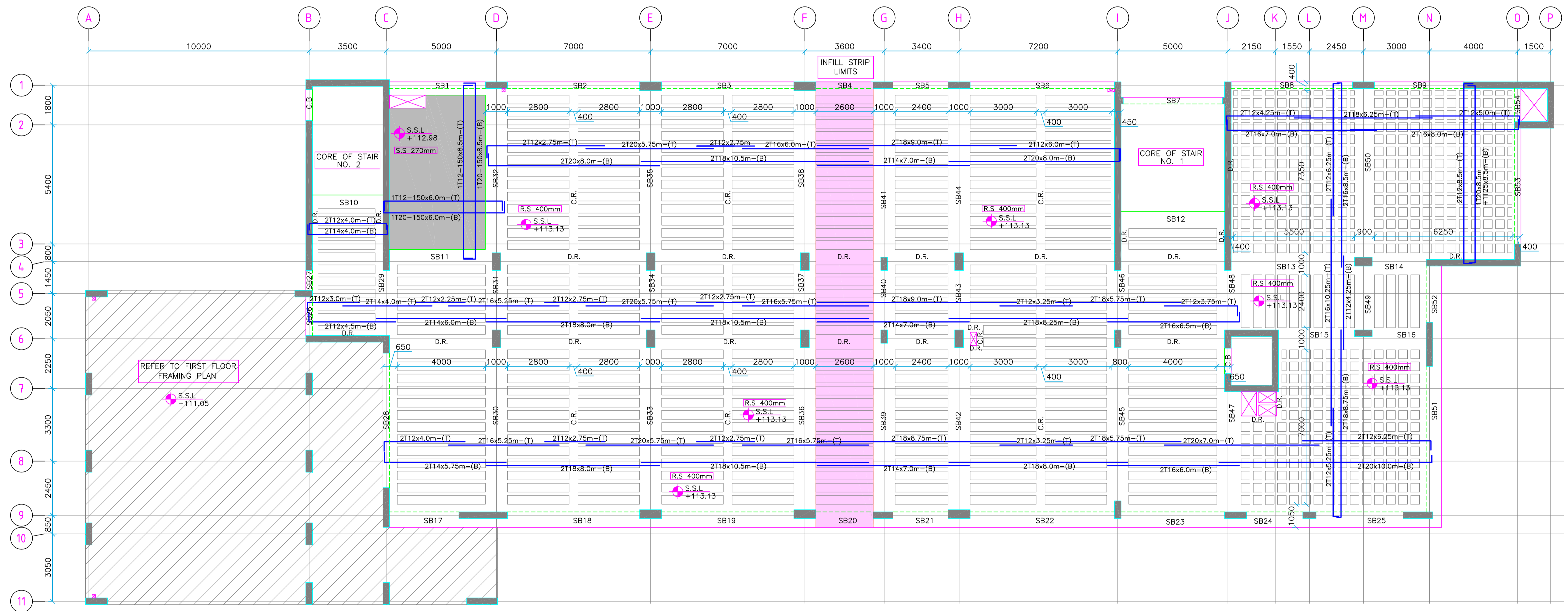
PHASE III  
 PACKAGE 2  
 Thahr Al Sarow Basic School For Boys (Jerash)  
 SCHOOLS FOR A KNOWLEDGE ECONOMY PROJECT (USAID SKEP)

DRAWING NAME:  
**FIRST FLOOR FRAMING PLAN**  
 PLOT No: 435  
 LOCATION: Thahr Al Sarow  
 BASIN NO: 4 Dair Alliat

Design: K.S.  
 SCALE: 1:100  
 DRAWING NUMBER: **SKEP 14-SSP401**  
 Drawn: CAD  
 Date: JUNE 2019  
 Checked: R.K.  
 Approved: W.Z.  
 North:



تم التصميم حسب الكودات المعتمدة  
بموجب التعليمات الفنية السارية  
مكتب رقم - ٥



REV.	DATE	REMARKS
0	JUNE 2019	VOL. IV - TENDER DRAWINGS

NOTES:



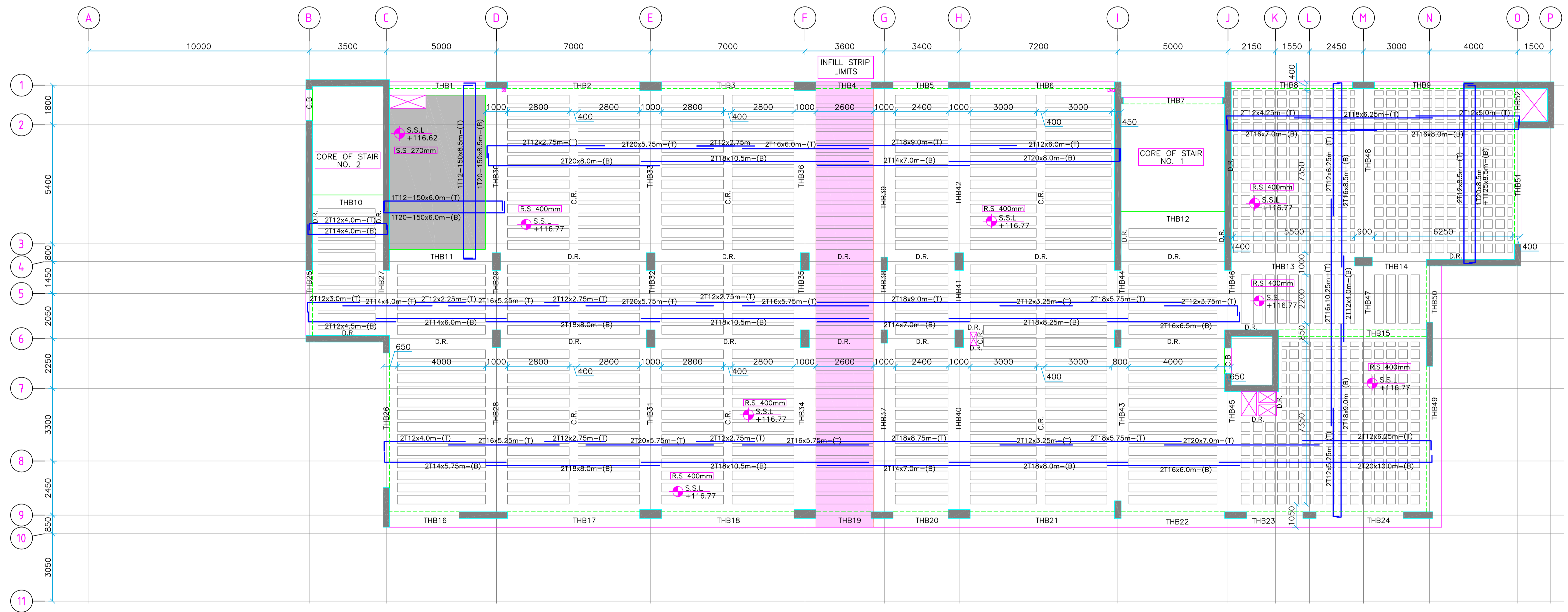
PHASE III  
PACKAGE 2

Thahr Al Sarow Basic School For Boys  
(Jerash)  
SCHOOLS FOR A KNOWLEDGE ECONOMY  
PROJECT (USAID SKEP)

DRAWING NAME: SECOND FLOOR FRAMING PLAN		
PLOT No 435	LOCATION Thahr Al Sarow	BASIN NO 4 Dair Alliat

Design: K.S.	Drawn: CAD	Checked: R.K	North: 
SCALE: 1:100	Date: JUNE 2019	Approved: W.Z.	Rev.: 0
DRAWING NUMBER: SKEP 14-SSP402			

تم التصميم حسب الكودات المعمدة  
بموجب التعليمات الفنية السارية  
مكتب رقم - ٥



REV.	DATE	REMARKS
0	JUNE 2019	VOL. IV - TENDER DRAWINGS

NOTES:



PHASE III  
PACKAGE 2

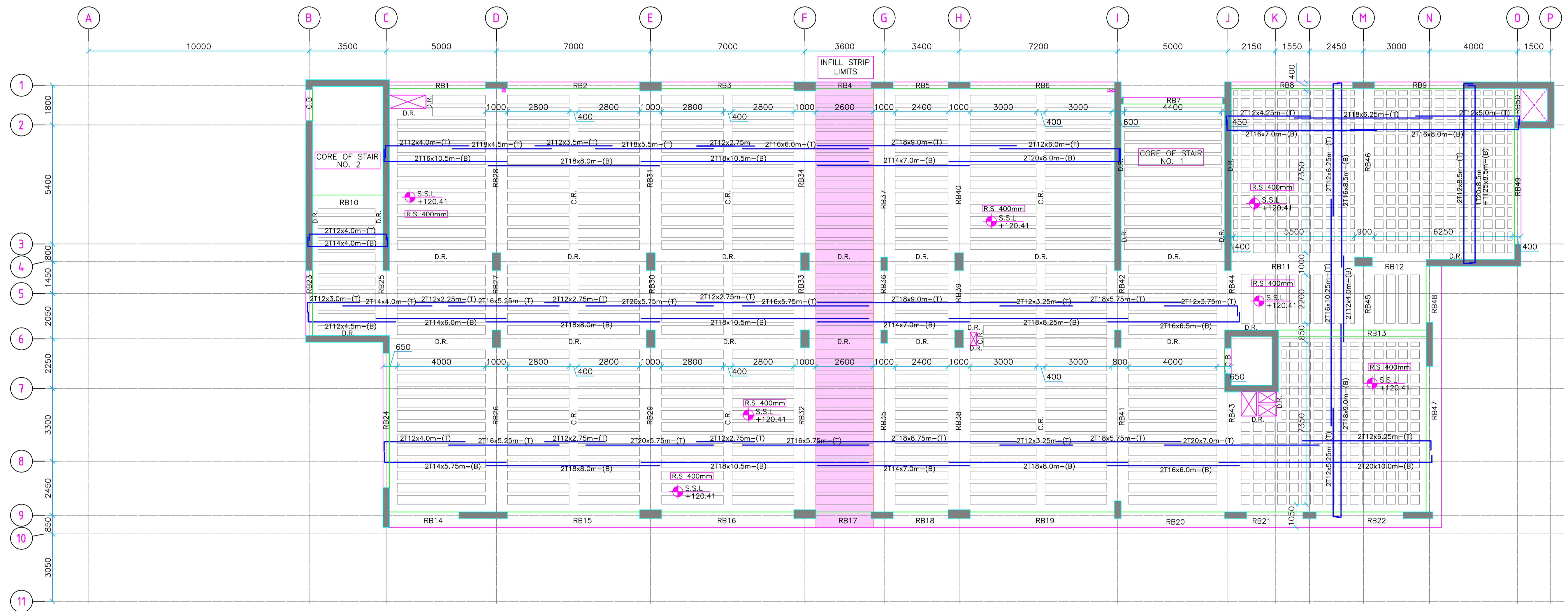
Thahr Al Sarow Basic School For Boys  
(Jerash)  
SCHOOLS FOR A KNOWLEDGE ECONOMY  
PROJECT (USAID SKEP)

DRAWING NAME:  
THIRD FLOOR FRAMING PLAN  
PLOT No 435 LOCATION Thahr Al Sarow BASIN NO 4 Dair Alliat

Design: K.S. Drawn: CAD Checked: R.K. Approved: W.Z. Date: JUNE 2019  
DRAWING NUMBER: SKEP 14-SSP403

North: Rev.: 0

تم التصميم حسب الكودات المعمدة  
بموجب التعليمات الفنية السارية  
مكتب رقم - ٥



REV.	DATE	REMARKS
0	JUNE 2019	VOL. IV - TENDER DRAWINGS

NOTES:



PHASE III  
PACKAGE 2

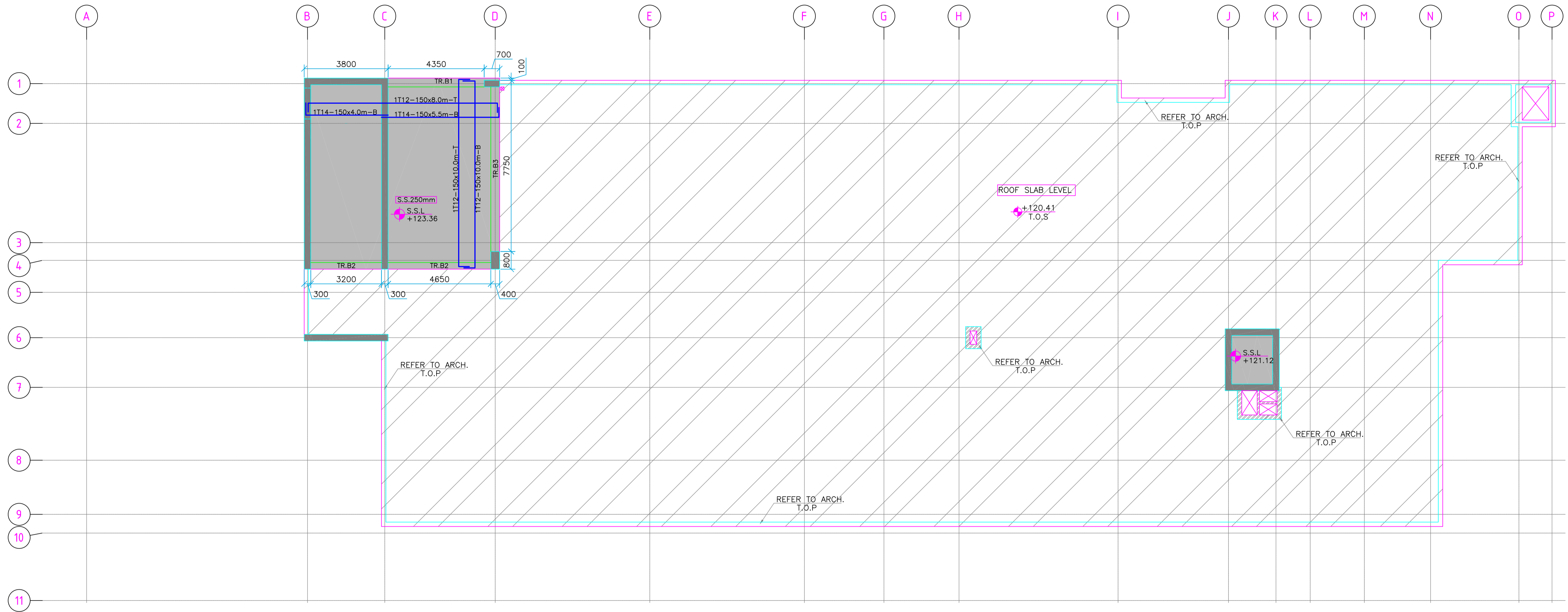
Thahr Al Sarow Basic School For Boys  
(Jerash)  
SCHOOLS FOR A KNOWLEDGE ECONOMY  
PROJECT (USAID SKEP)

DRAWING NAME:  
ROOF FLOOR FRAMING PLAN  
PLOT No: 435 LOCATION: Thahr Al Sarow BASIN NO: 4 Dair Alliat

Design: K.S. Drawn: CAD Checked: R.K. Approved: W.Z.  
SCALE: 1:100 DATE: JUNE 2019  
DRAWING NUMBER: SKEP 14-SSP404

North: Rev: 0

تم التصميم حسب الكودات المعممة  
بموجب التعليمات الفنية السارية  
مكتب رقم - ٥



REV.	DATE	REMARKS
0	JUNE 2019	VOL. IV - TENDER DRAWINGS

NOTES:

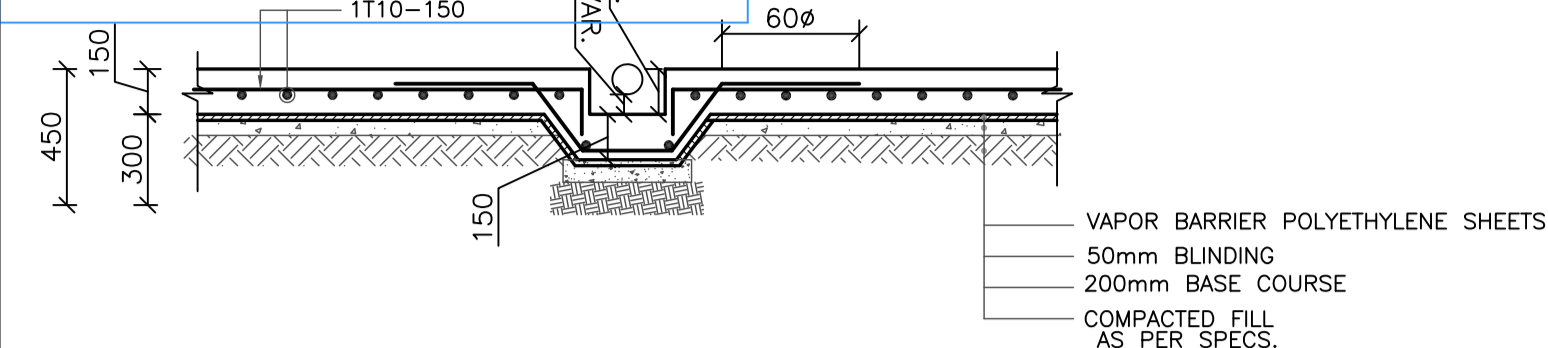


PHASE III  
PACKAGE 2  
Thahr Al Sarow Basic School For Boys  
(Jerash)  
SCHOOLS FOR A KNOWLEDGE ECONOMY  
PROJECT (USAID SKEP)

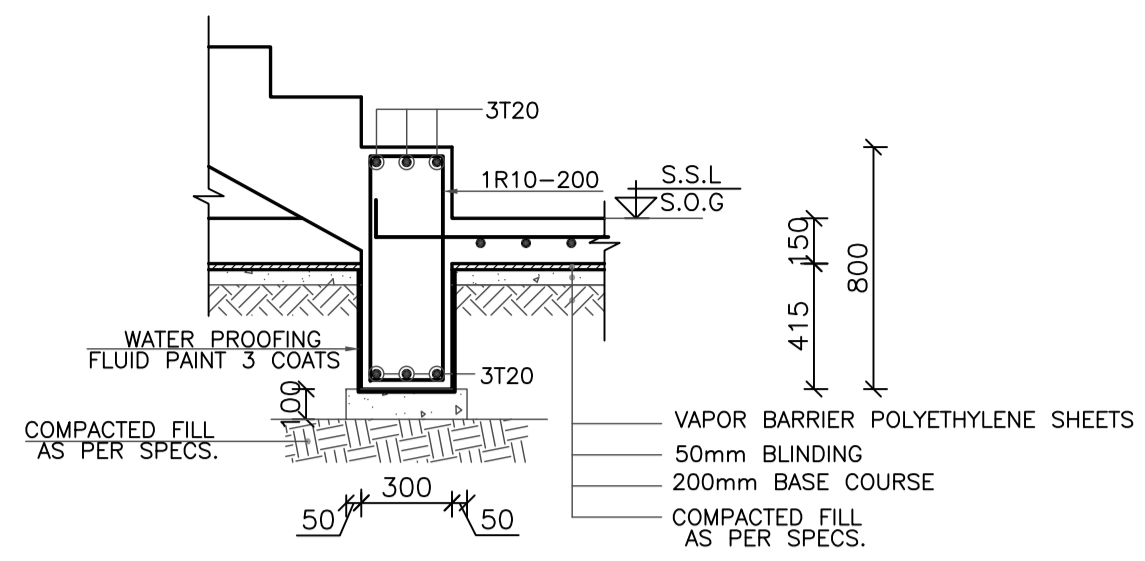
DRAWING NAME:  
TOP OF ROOF FRAMING PLAN  
PLOT No: 435  
LOCATION: Thahr Al Sarow  
BASIN NO: 4 Dair Alliat

Design: K.S.	Drawn: CAD	Checked: R.K	North:
SCALE: 1:100	Date: JUNE 2019	Approved: W.Z.	
DRAWING NUMBER: SKEP 14-SSP405			Rev.: 0

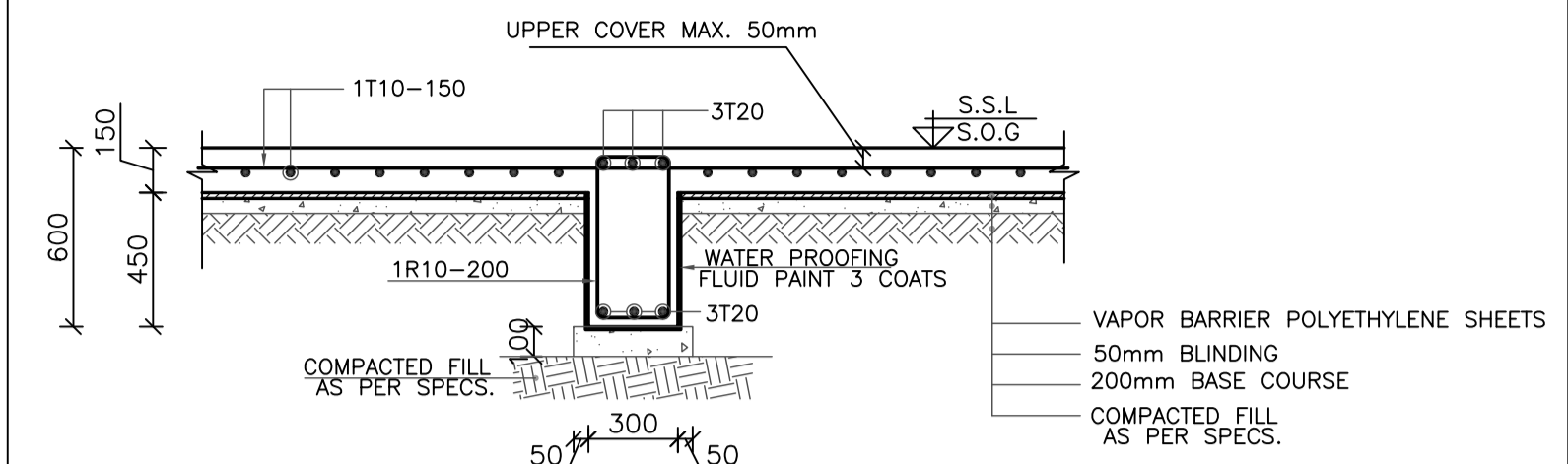
تم التصميم حسب الكودات المعممة بموجب التعليمات الفنية السارية مكتب رقم - ٥



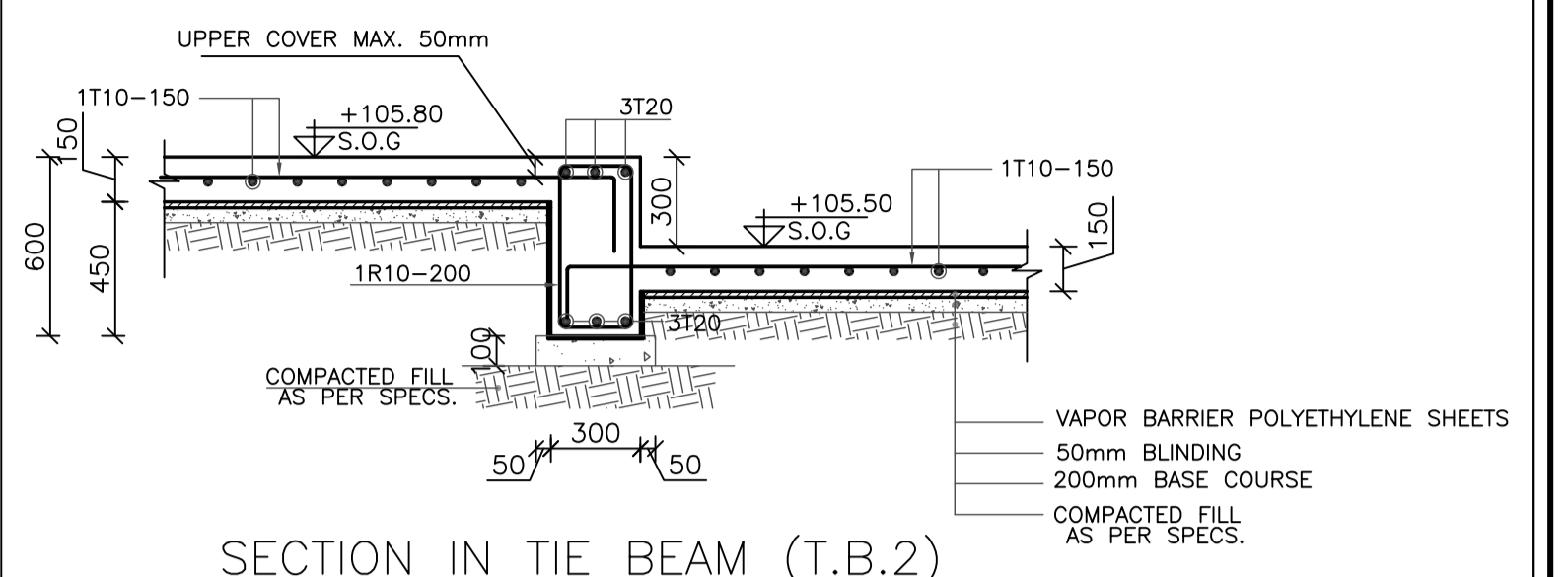
TYPICAL DETAIL OF TRENCH IN S.O.G FOR MECHANICAL PIPES(IF NEEDED) 1:25



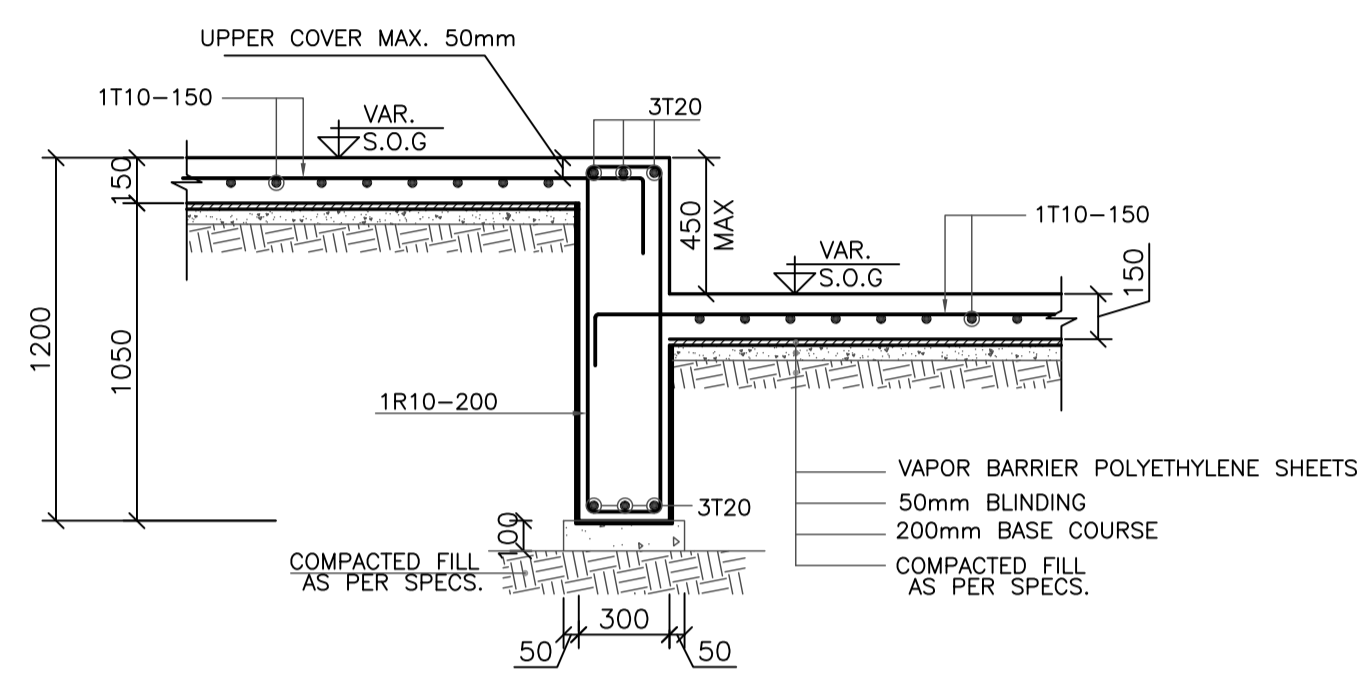
TYPICAL DETAIL OF BEAM BETWEEN STAIRS AND S.O.G 1:25



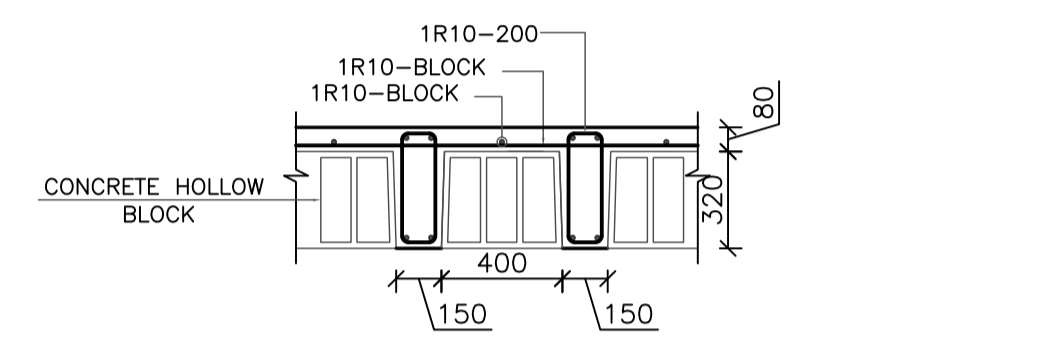
SECTION IN TIE BEAM (T.B.1) 1:25



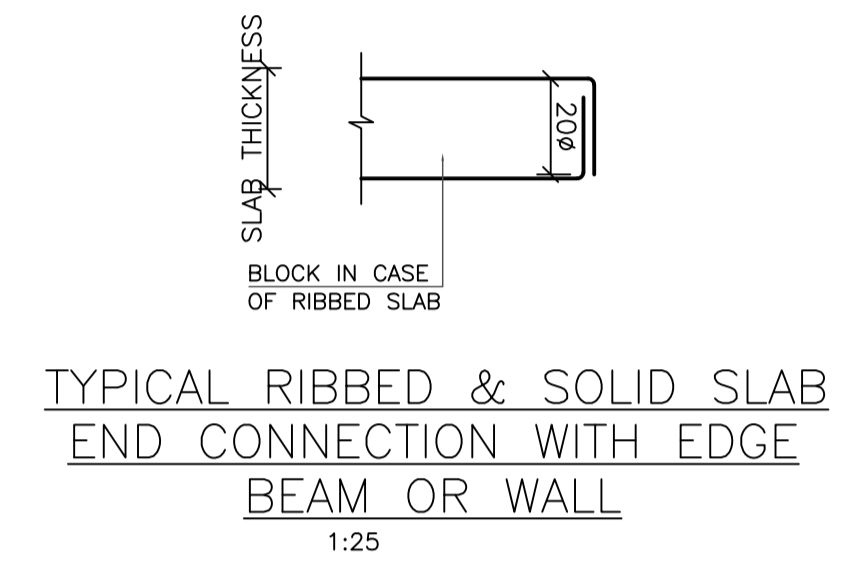
SECTION IN TIE BEAM (T.B.2) 1:25



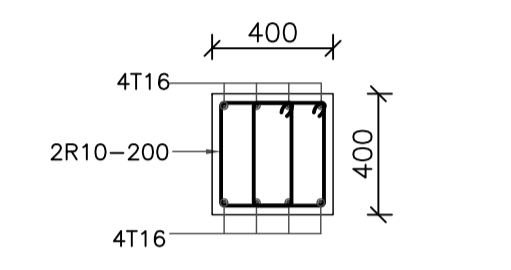
SECTION IN TIE BEAM (T.B.3) 1:25



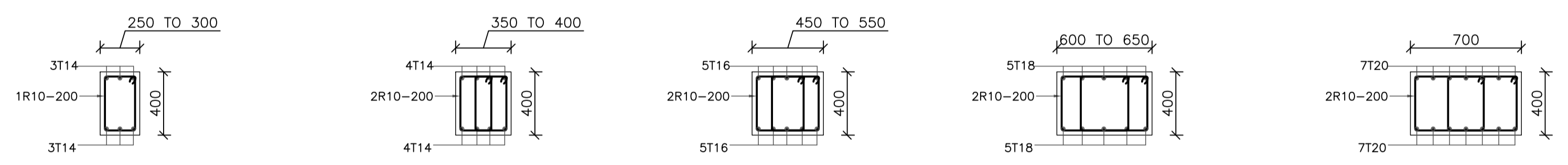
TYPICAL SECTION IN RIBBED SLAB 400mm 1:25



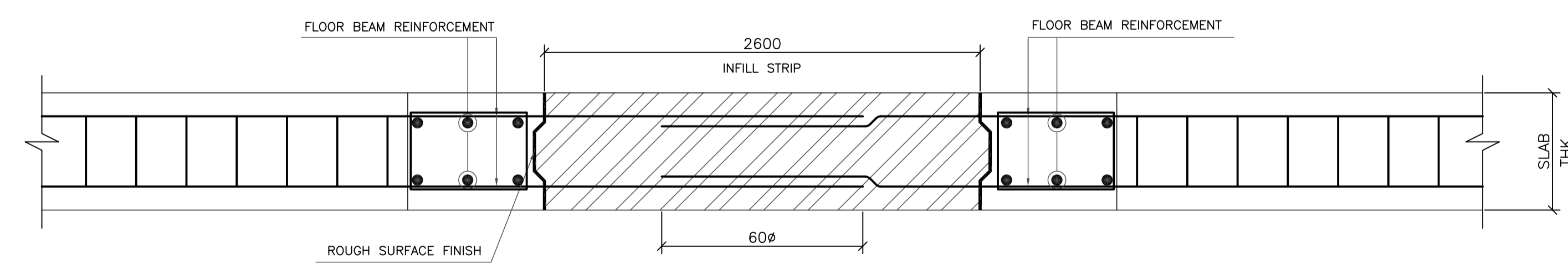
TYPICAL RIBBED & SOLID SLAB END CONNECTION WITH EDGE BEAM OR WALL 1:25



SECTION IN C.R 1:25

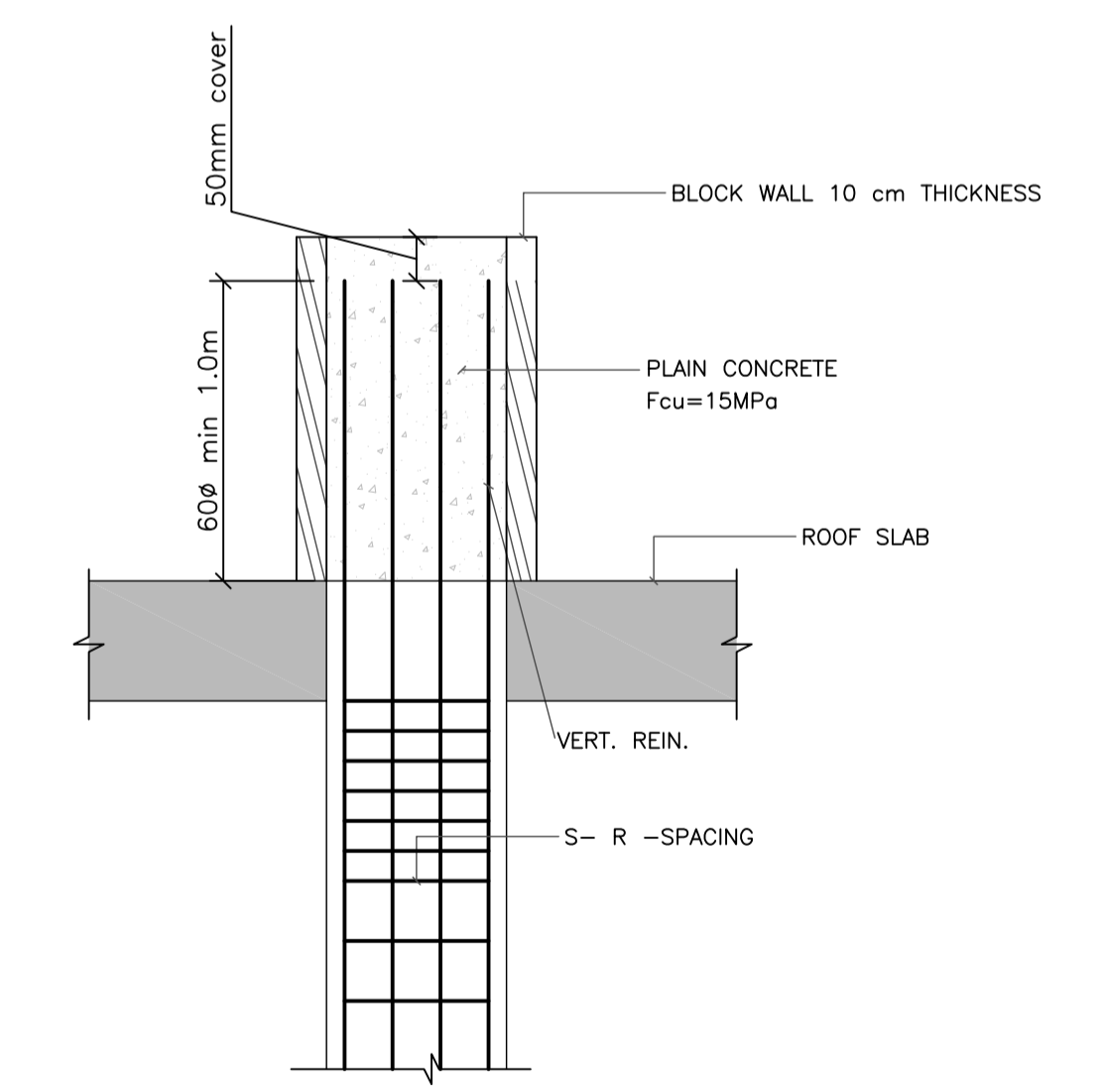


SECTION IN D.R (VARIABLE WIDTHS) 1:25



INFILL STRIPS DETAIL 1:25

- THE INFILL STRIP TO BE CAST 60 DAYS LATER THAN THE ADJACENT UNIT TO REESTABLISH CONTINUITY. LOW W/C RATIO SHALL BE ADOPTED WHEN CASTING THE INFILL STRIPS.
- IT IS NECESSARY TO LAP THE REINFORCING BARS WITHIN THE STRIP AS SHOWN IN THE ABOVE FIGURE.
- CONTINUOUS SUPPORT SYSTEMS (SUCH AS FORMWORK, BRACING, OR FULL SUPPORT) MUST BE USED TO ASSURE THE STABILITY OF STRUCTURE AND SHOULD INTACT THE STABILITY AND ALIGNMENT OF ADJOINING PARTS OF THE BUILDING.
- SCAFFOLDS SHALL NOT BE REMOVED UNTIL SUPPORTED ELEMENTS HAVE DEVELOPED DESIGN PROPERTIES REQUIRED TO SUPPORT ALL LOADS AND LIMIT DEFLECTIONS AND CRACKING AT TIME OF SHORING REMOVAL.
- THE EXPOSED REINFORCING BARS IN THE INFILL STRIP SHALL BE PRIMED WITH CONCESSIVE ZR (SINGLE COMPONENT EPOXY BASED ZINC RICH PRIMER FOR STEEL) PROVIDING ACTIVE GALVANIC PROTECTION STEEL.
- INFILL STRIPS SHALL BE CAST FLOOR BY FLOOR.
- THE PREVIOUSLY CAST PARTS SHALL BE PREPARED THROUGH CONVENTIONAL ROUGH CHAMFERED EDGE FOR THE BETTER ADHERENCE WITH THE SHRINKAGE STRIP.



END COLUMNS DETAIL FOR FUTURE EXTENSION. 1:25

REV.	DATE	REMARKS
0	JUNE 2019	VOL. IV - TENDER DRAWINGS

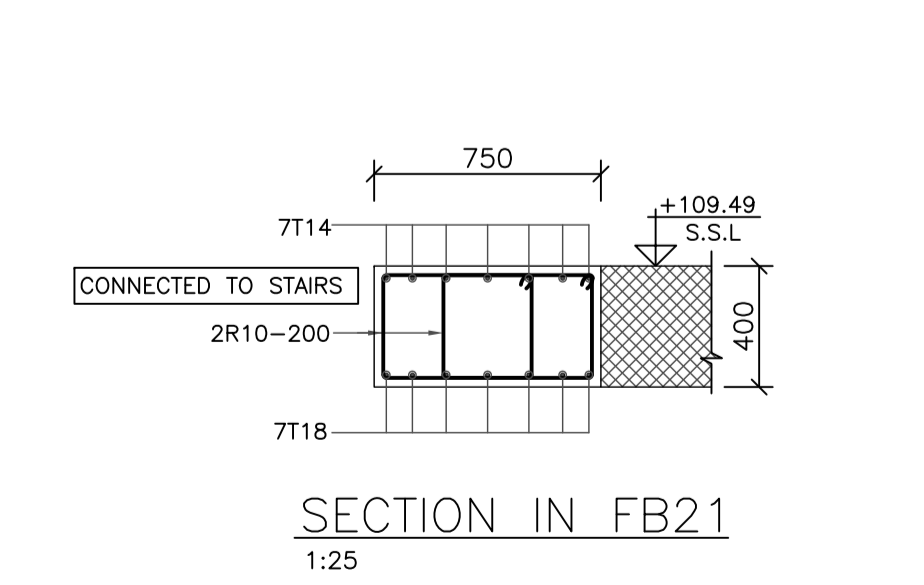
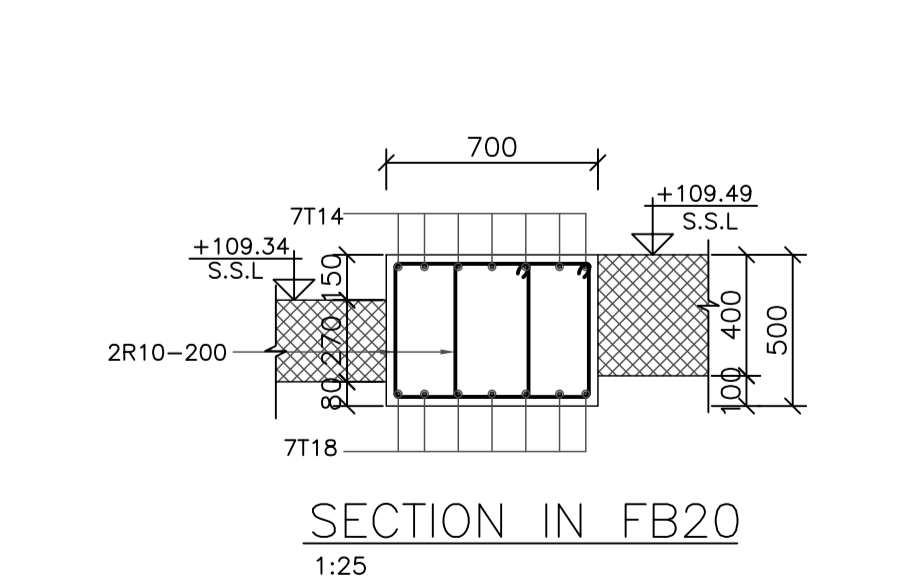
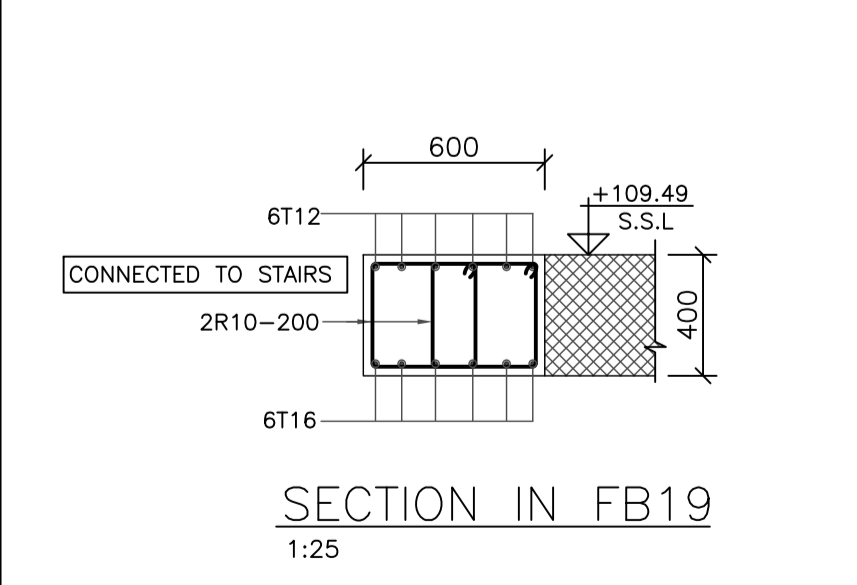
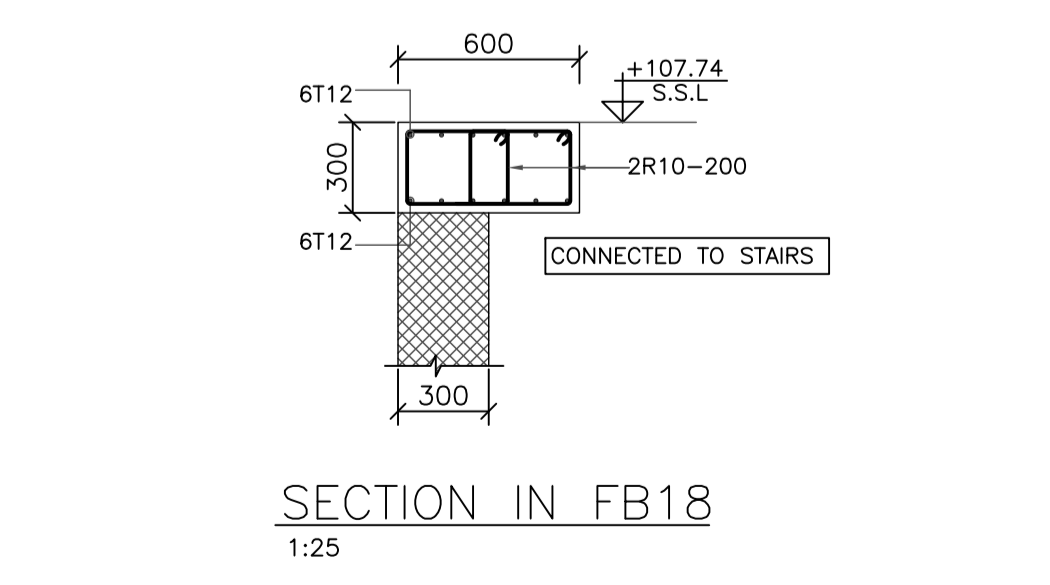
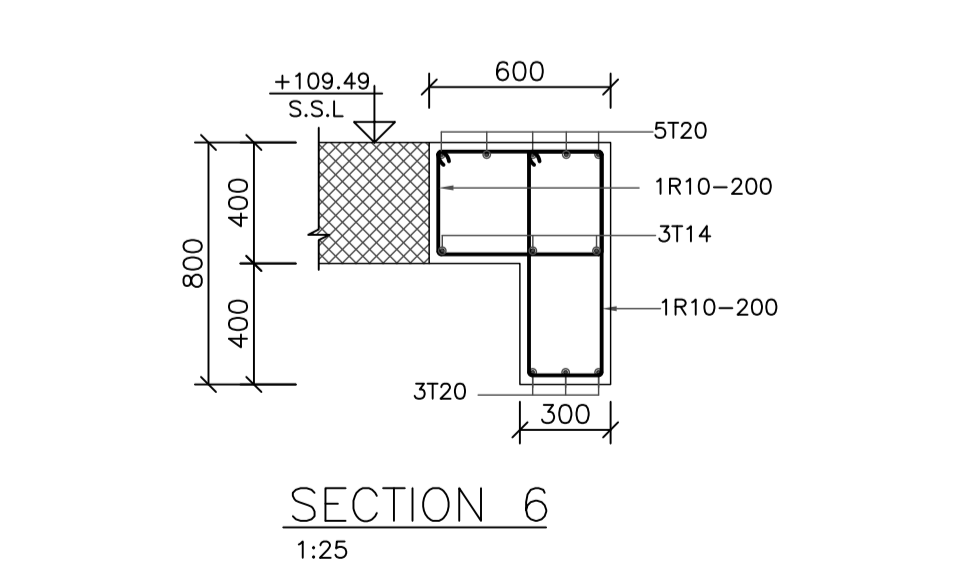
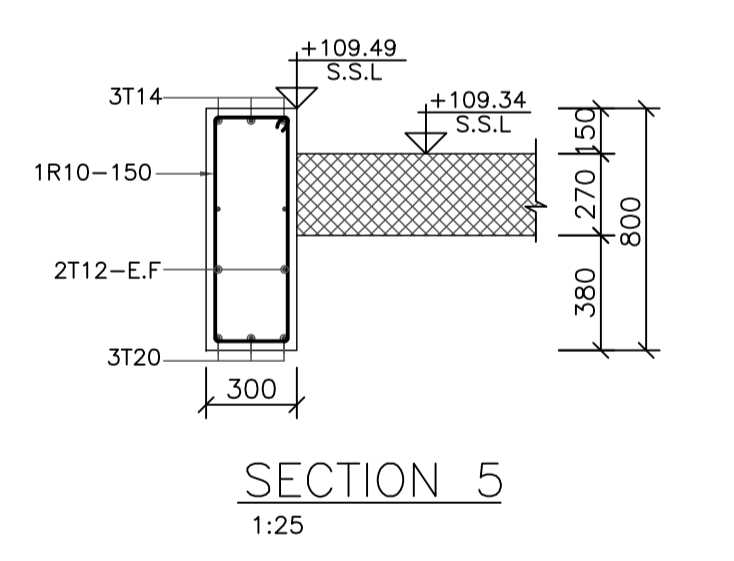
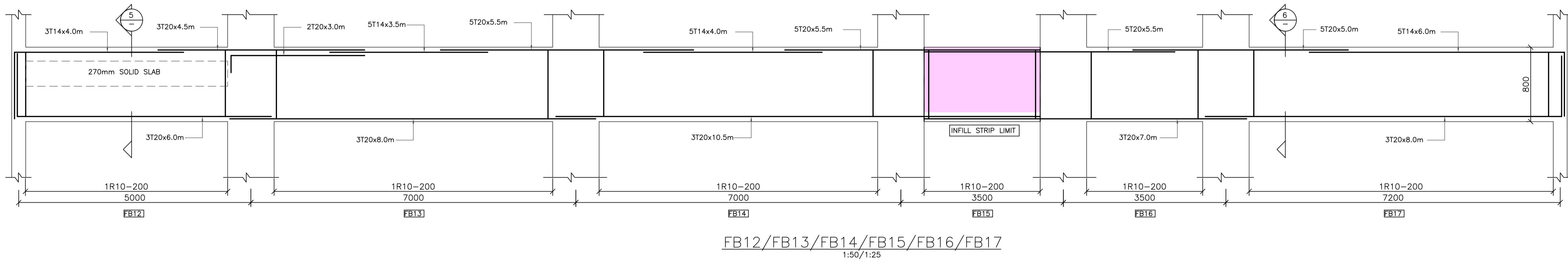
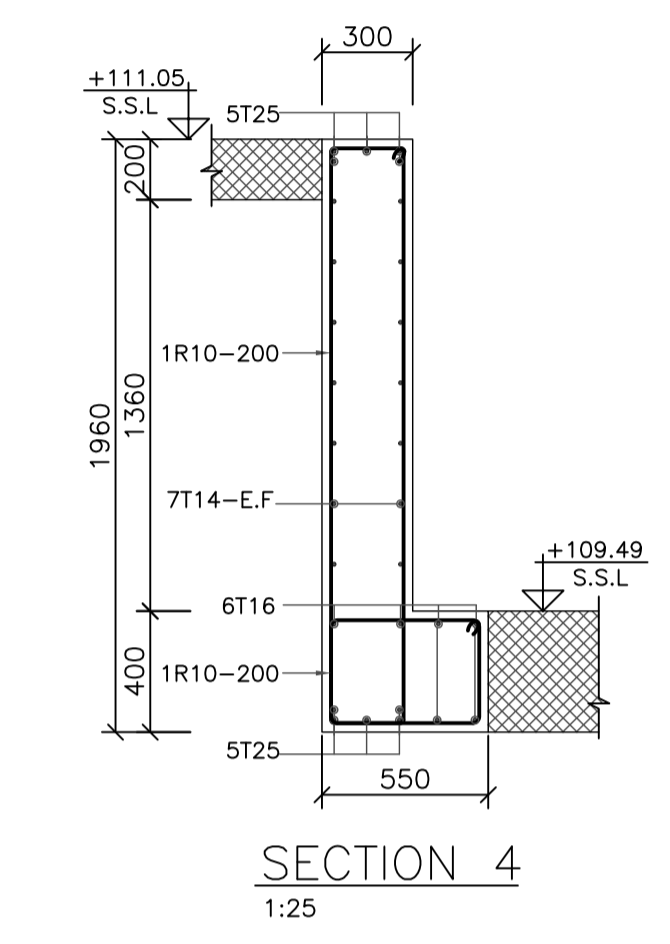
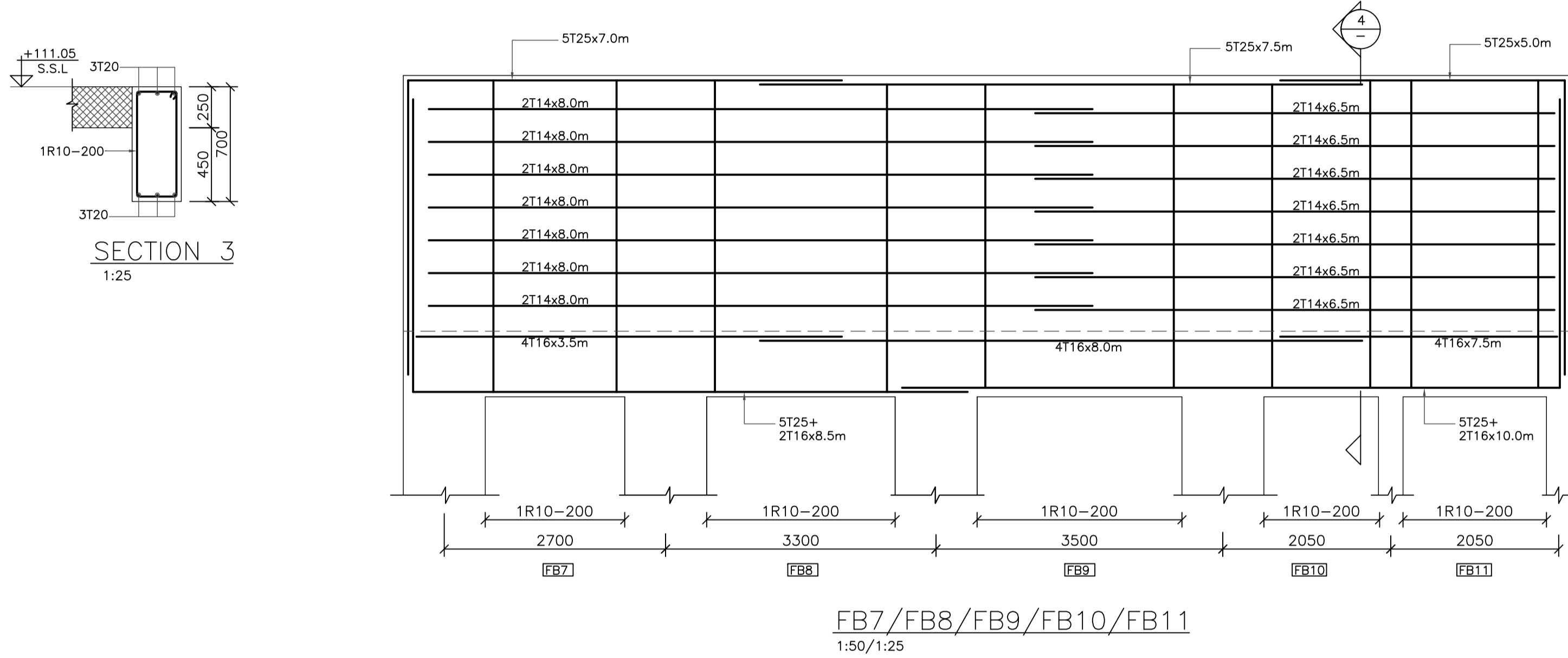
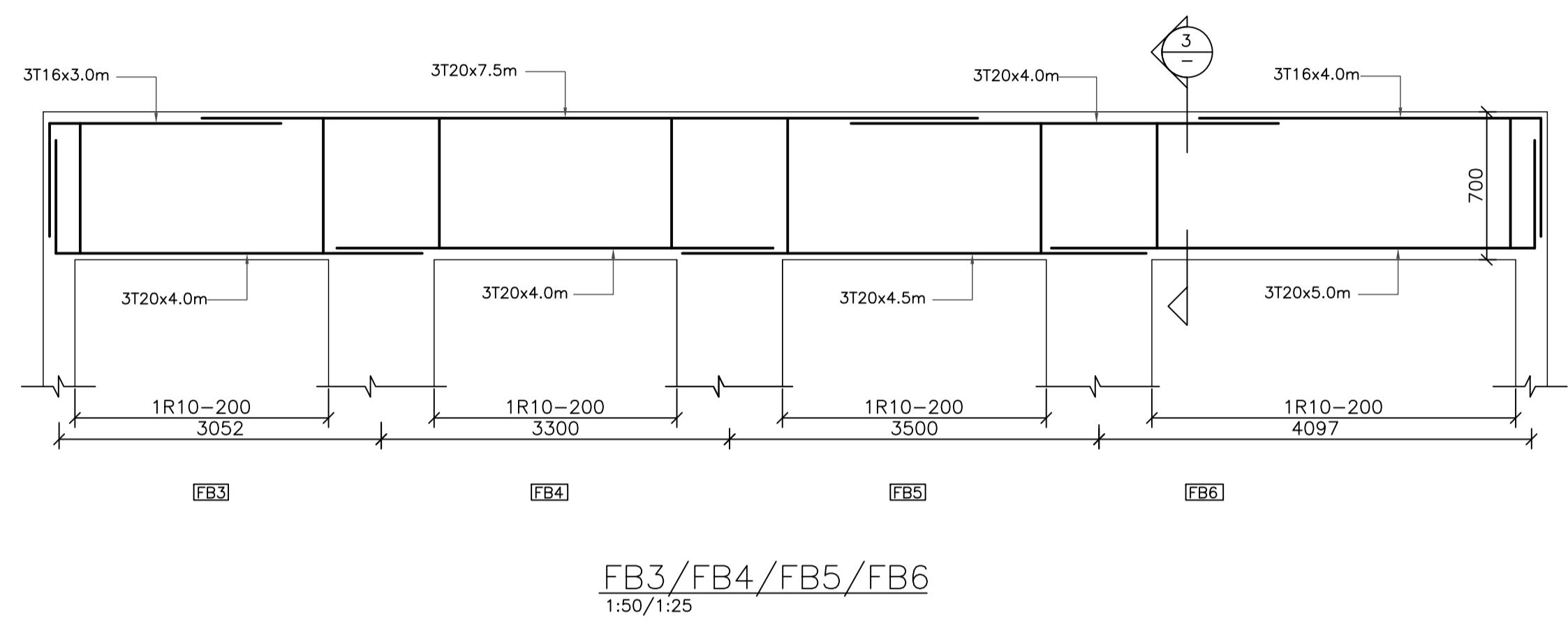
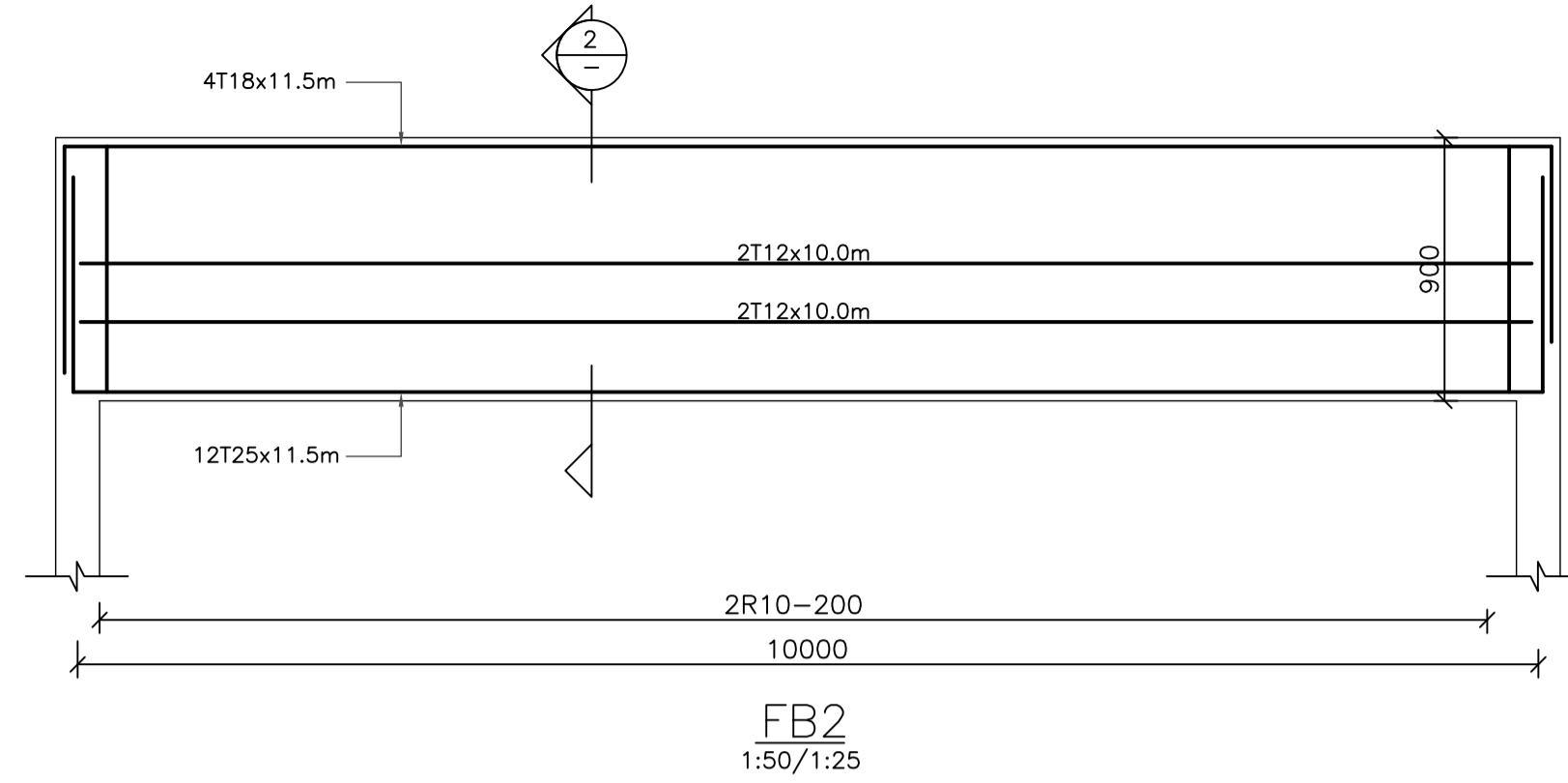
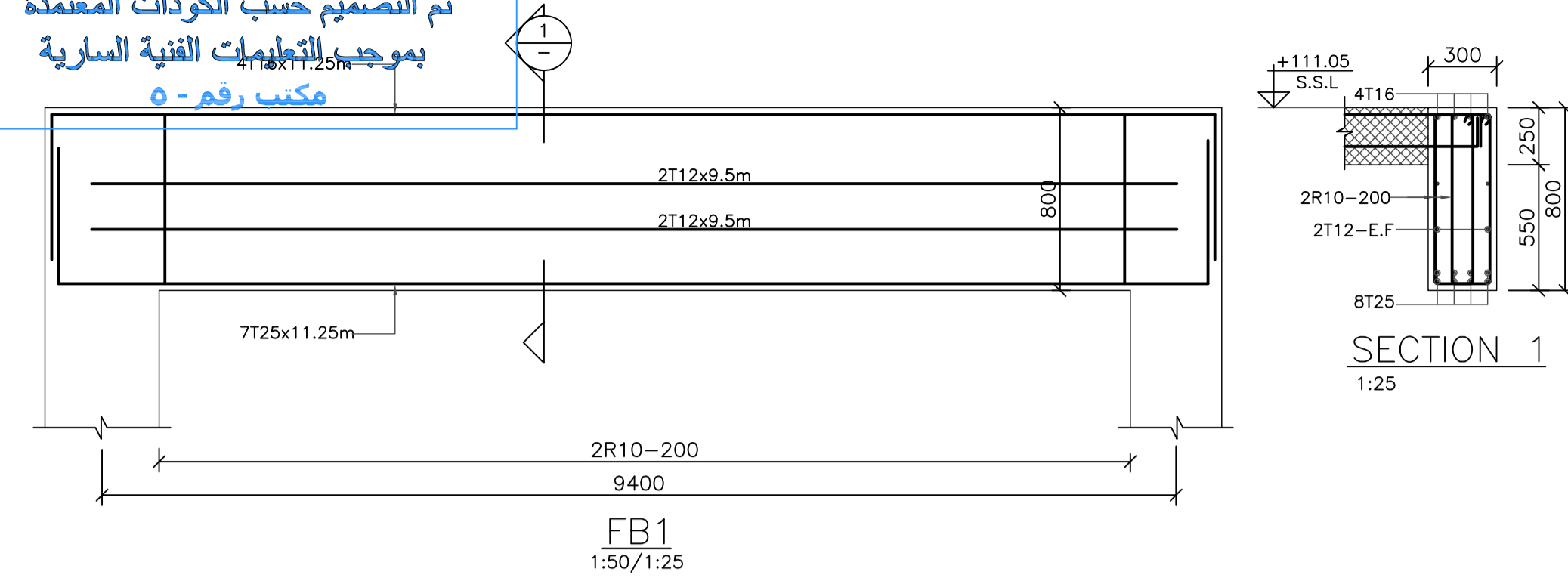
NOTES:



PHASE III  
PACKAGE 2  
Thahr Al Sarow Basic School For Boys (Jerash)  
SCHOOLS FOR A KNOWLEDGE ECONOMY PROJECT (USAID SKEP)

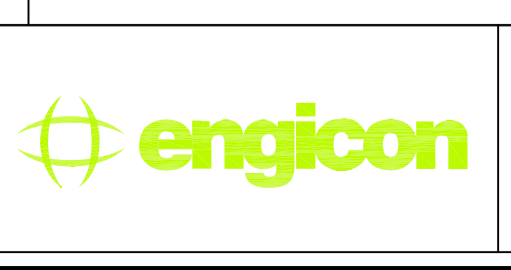
DRAWING NAME: TIE BEAMS AND TYPICAL FRAMING DETAILS		Design: K.S.	Drawn: CAD	Checked: R.K	North:
SCALE: 1:50/1:25		Date: JUNE 2019	Approved: W.Z.		
PLOT No: 435	LOCATION: Thahr Al Sarow	BASIN NO: 4 Dair Alliat	DRAWING NUMBER: SKEP 14-SSB500	Rev.: 0	

تم التصميم حسب الكودات المعممة بموجب التوجيهات الفنية السارية مكتب رقم - 0



REV.	DATE	REMARKS
0	JUNE 2019	VOL. IV - TENDER DRAWINGS

NOTES:

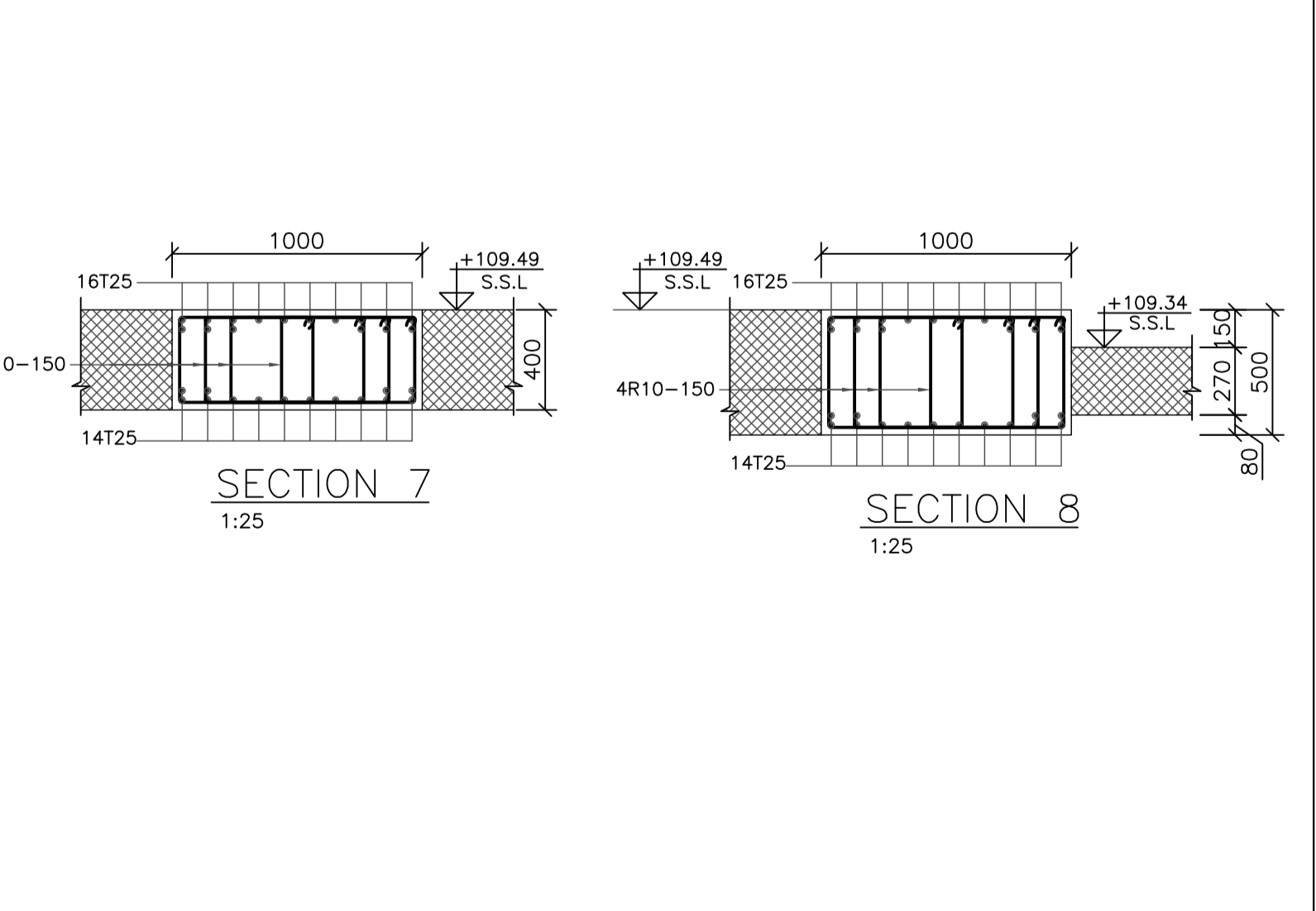
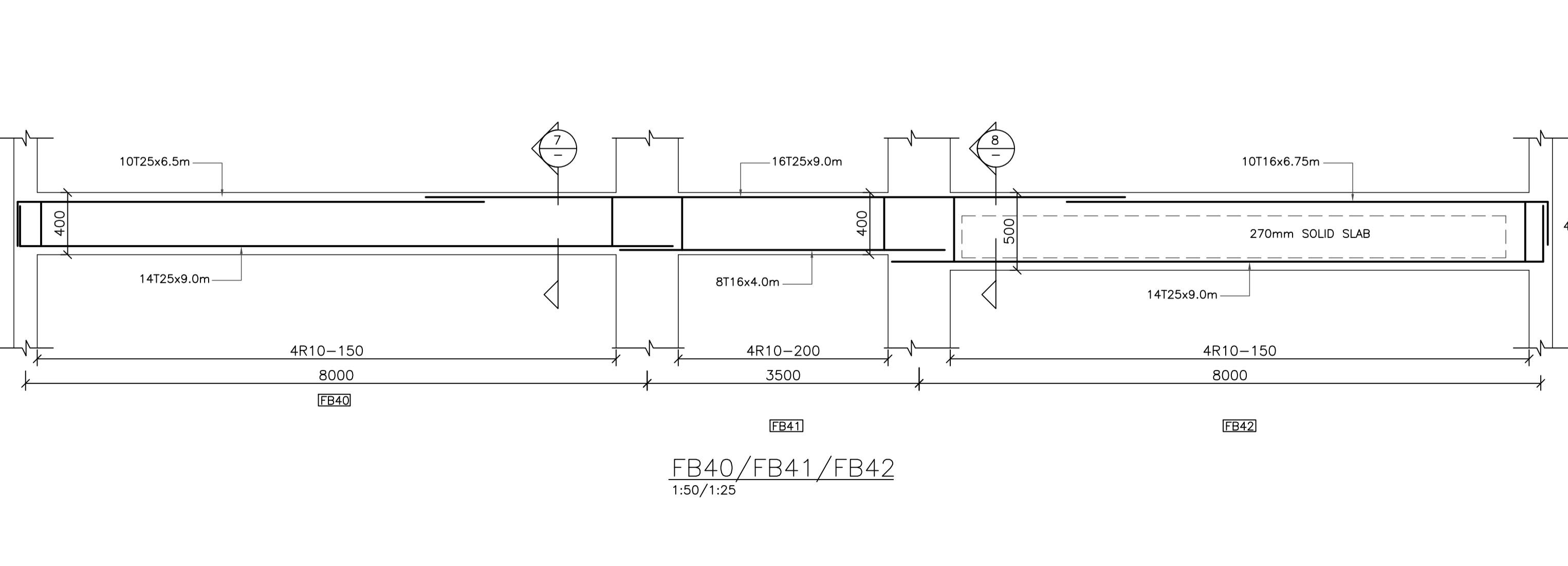
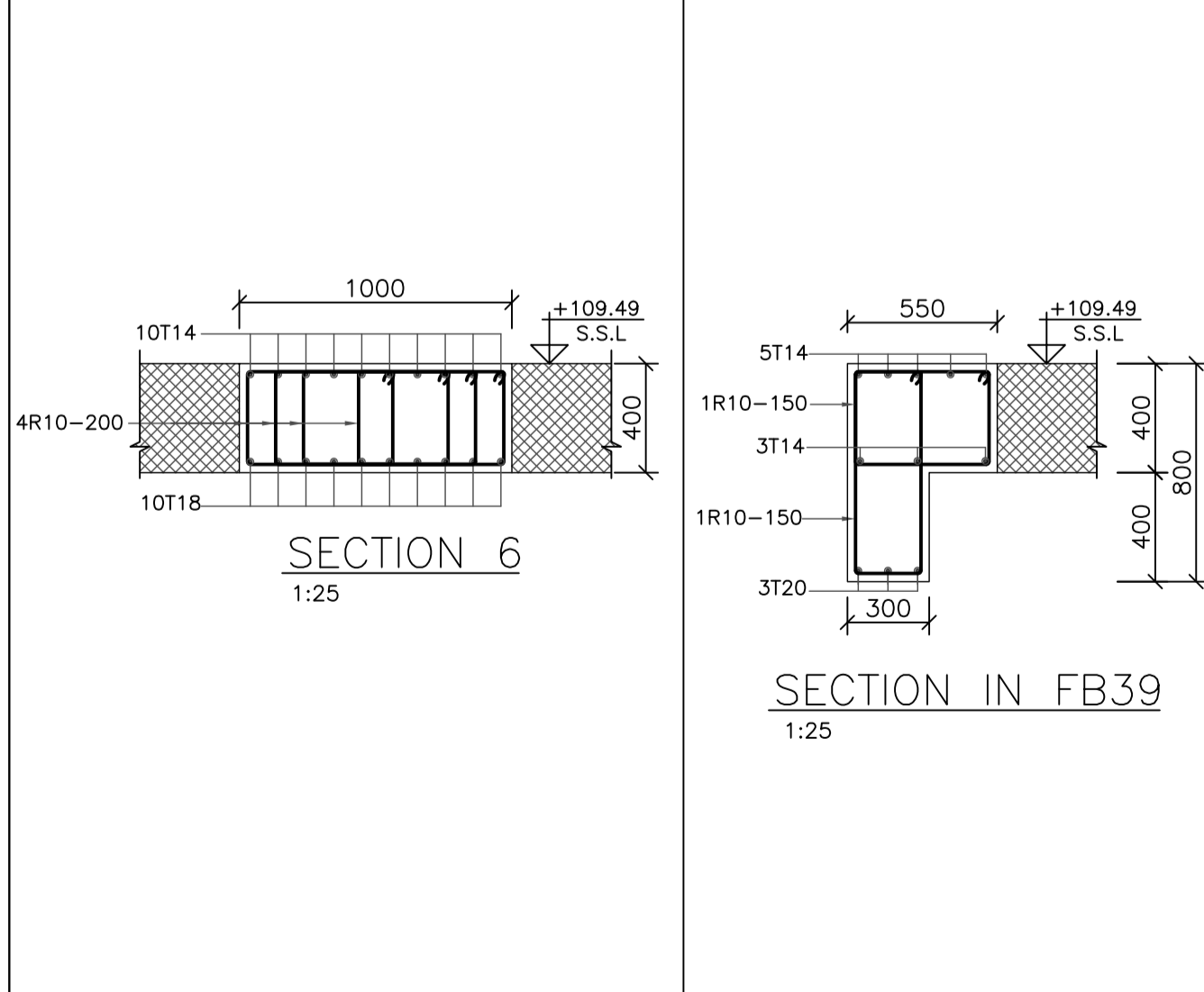
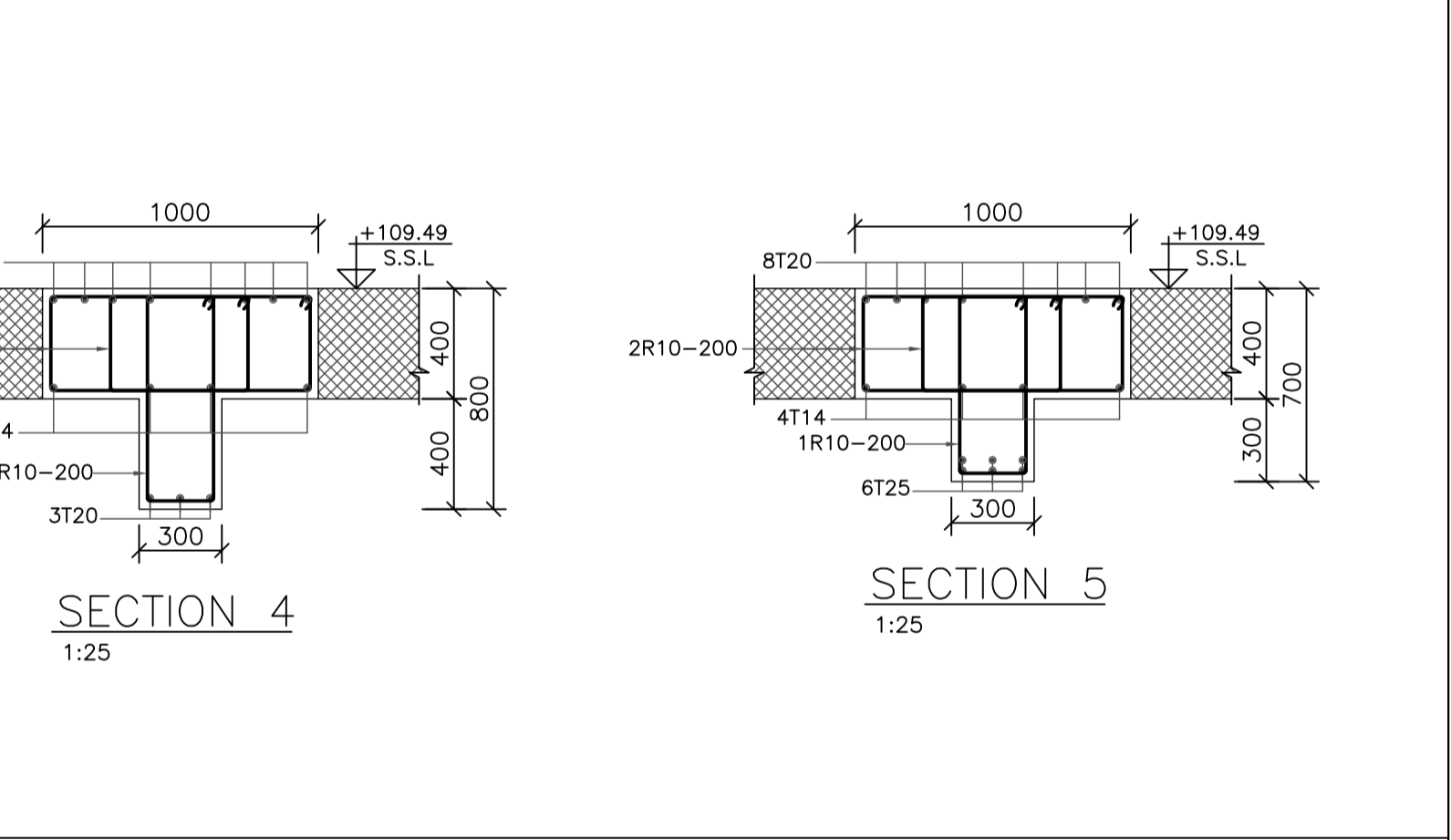
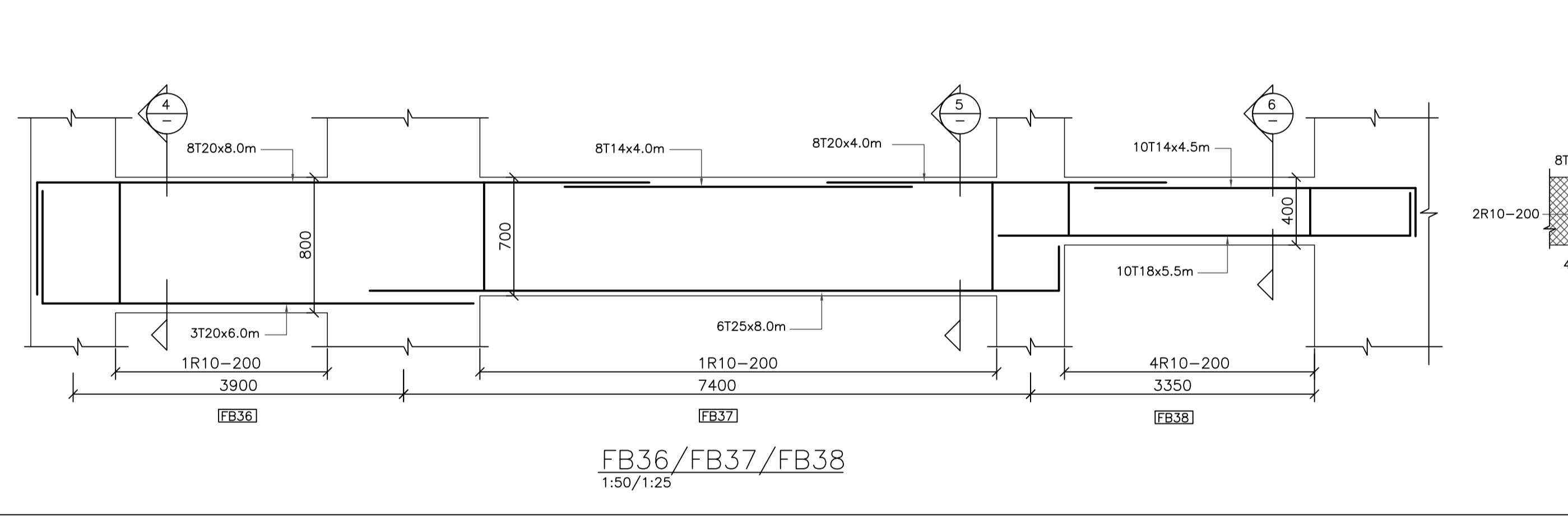
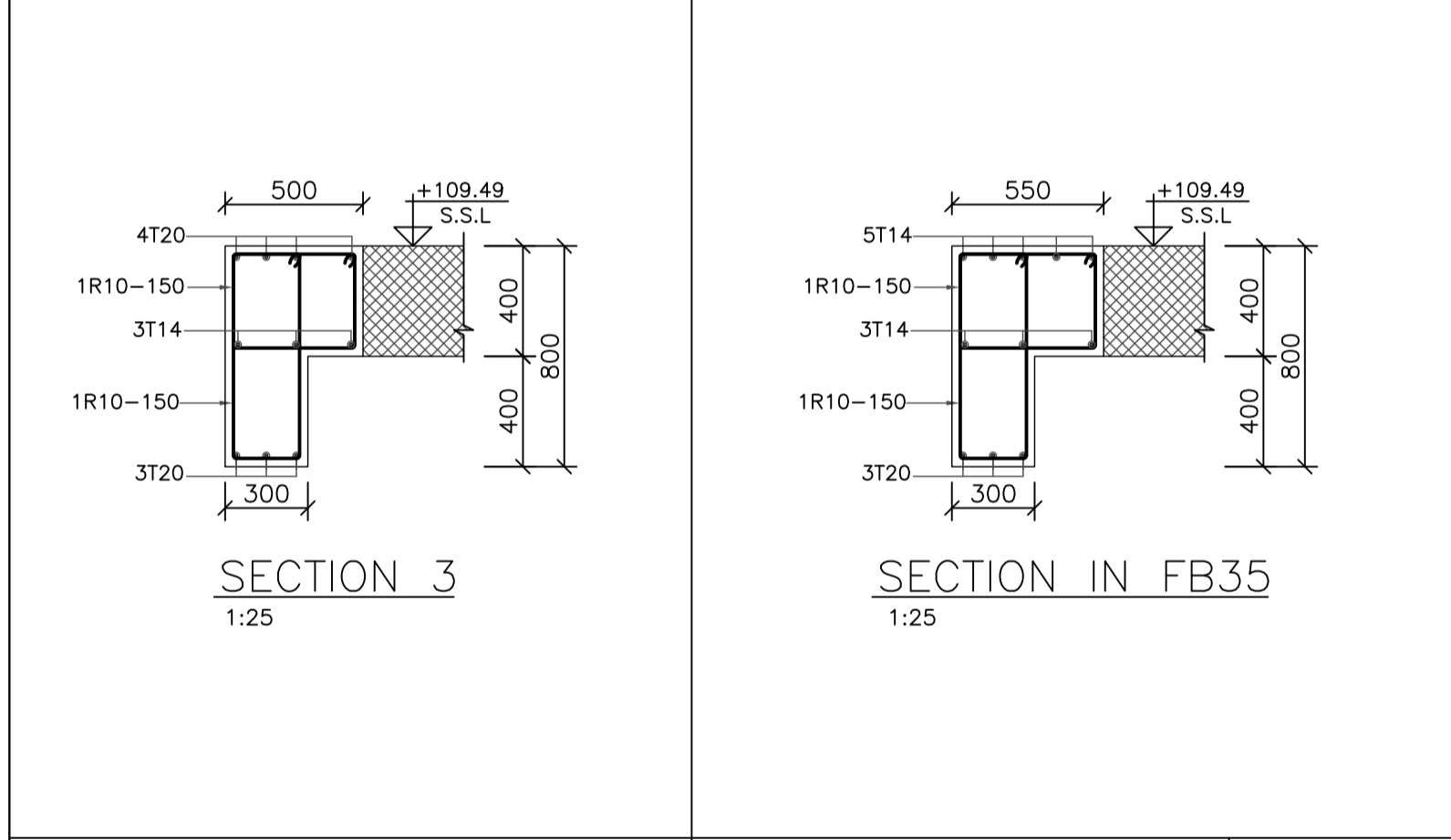
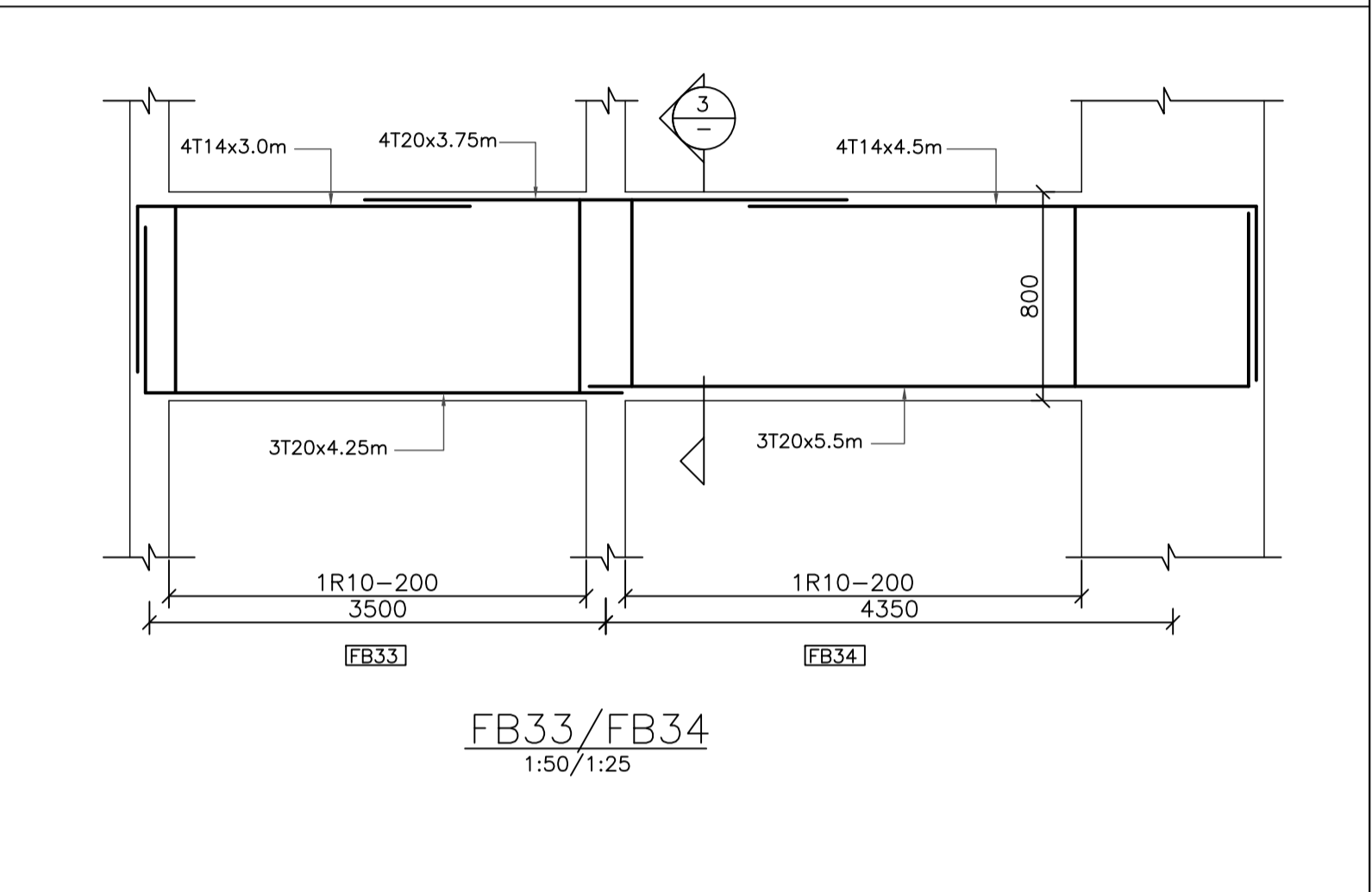
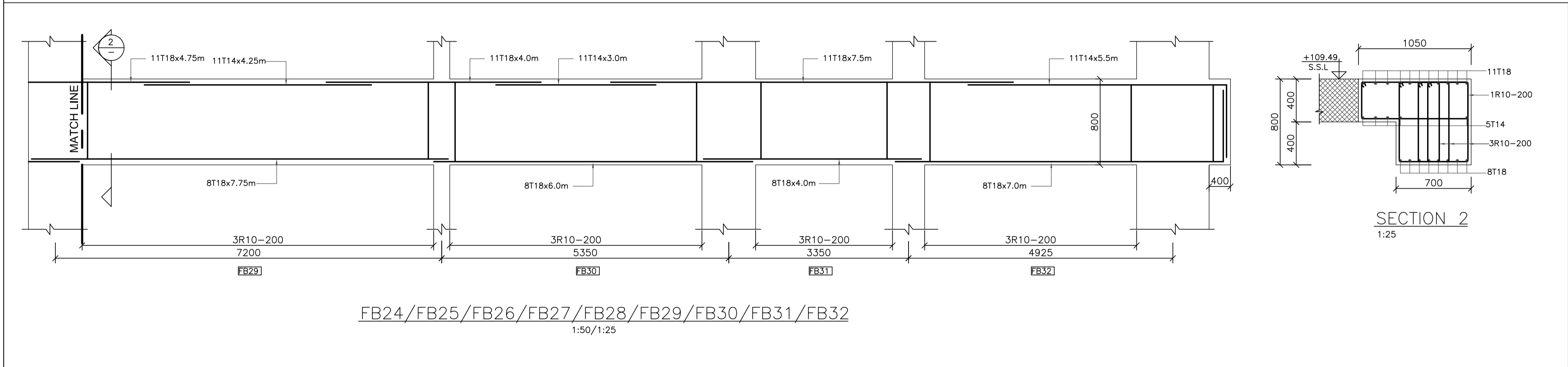
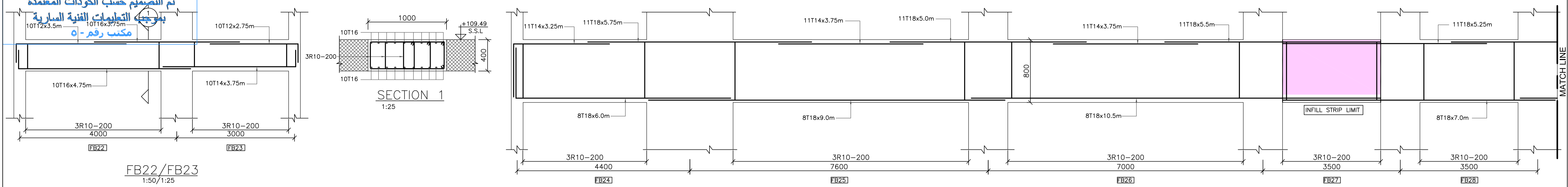


PHASE III  
PACKAGE 2  
Thahr Al Sarow Basic School For Boys (Jerash)  
SCHOOLS FOR A KNOWLEDGE ECONOMY PROJECT (USAID SKEP)

DRAWING NAME:  
FIRST FLOOR BEAMS DETAILS  
SHEET (1 OF 4)

Design:	K.S.	Drawn:	CAD	Checked:	R.K	North:		
SCALE:	1:50/1:25	Date:	JUNE 2019	Approved:	W.Z.			
DRAWING NUMBER:	SKEP 14-SSB501						Rev.:	0

تم التصميم حسب الكودات المعممة  
بموجب التعليمات الفنية السارية  
مكتب رقم - 0



REV.	DATE	REMARKS
0	JUNE 2019	VOL. IV - TENDER DRAWINGS

NOTES:

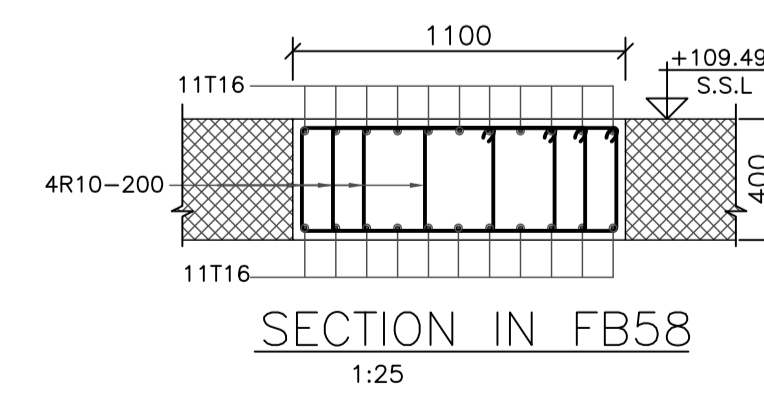
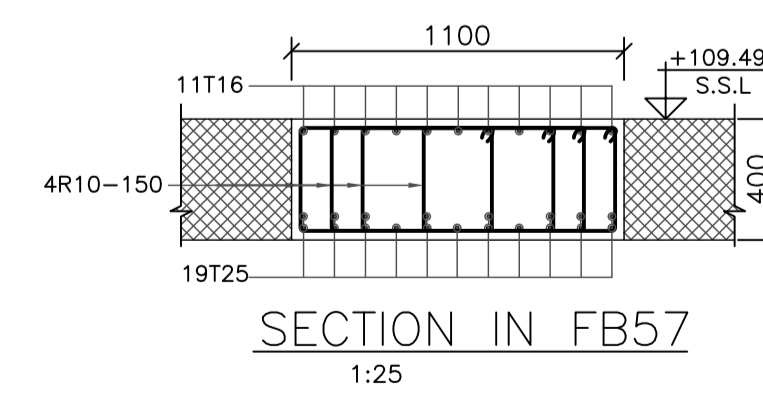
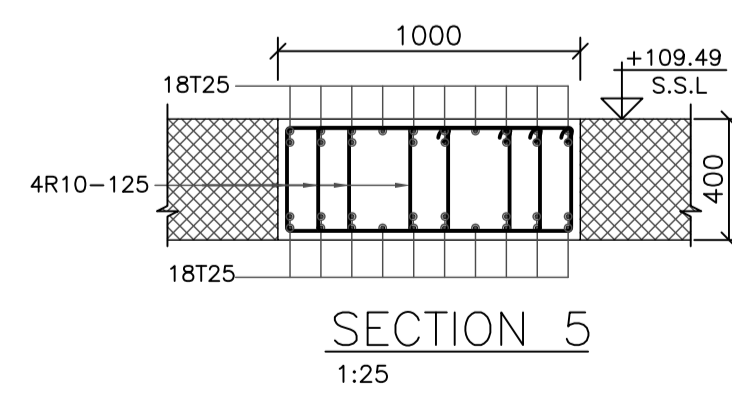
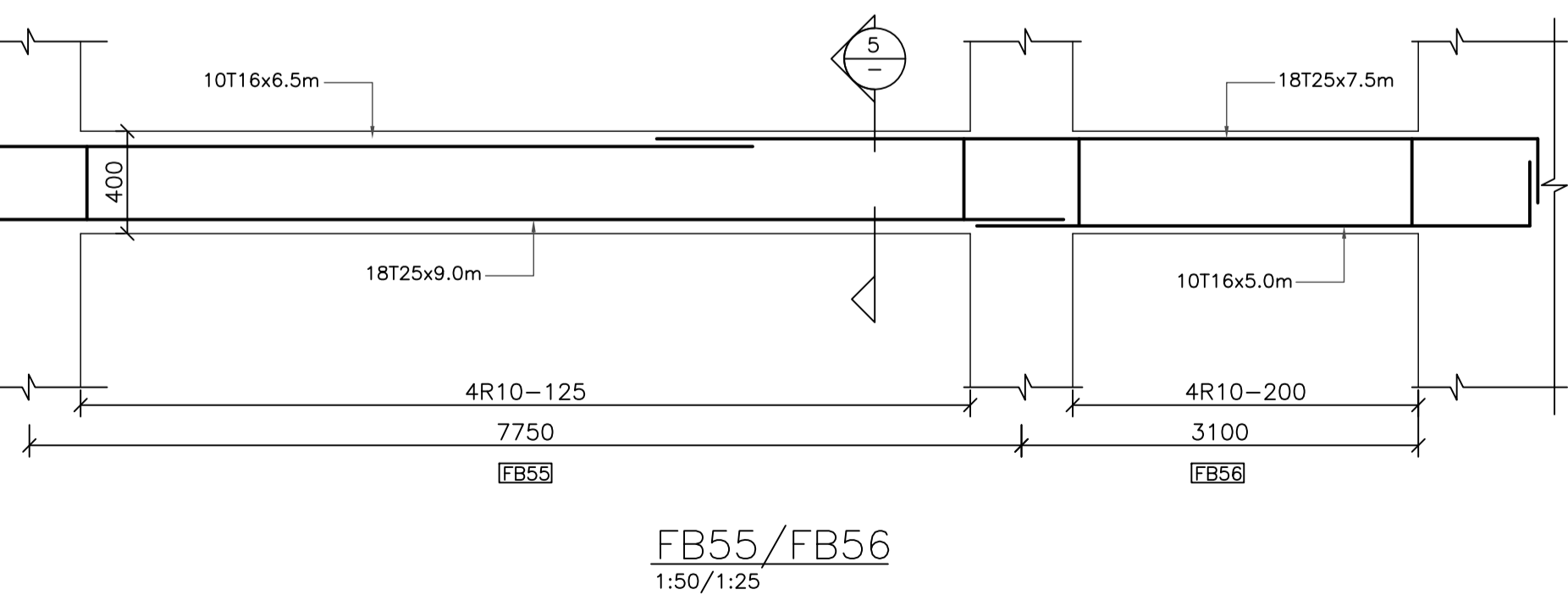
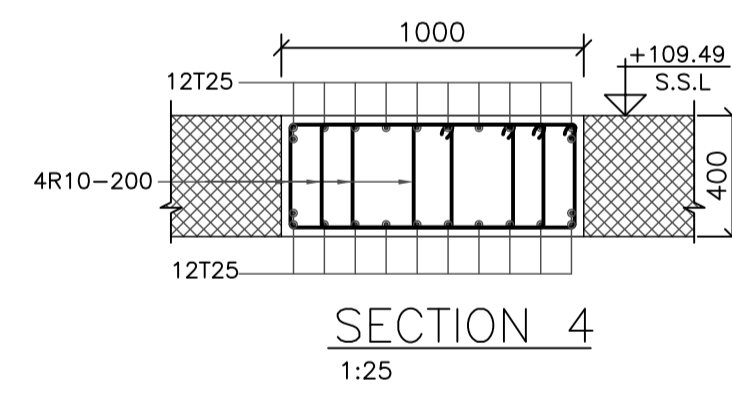
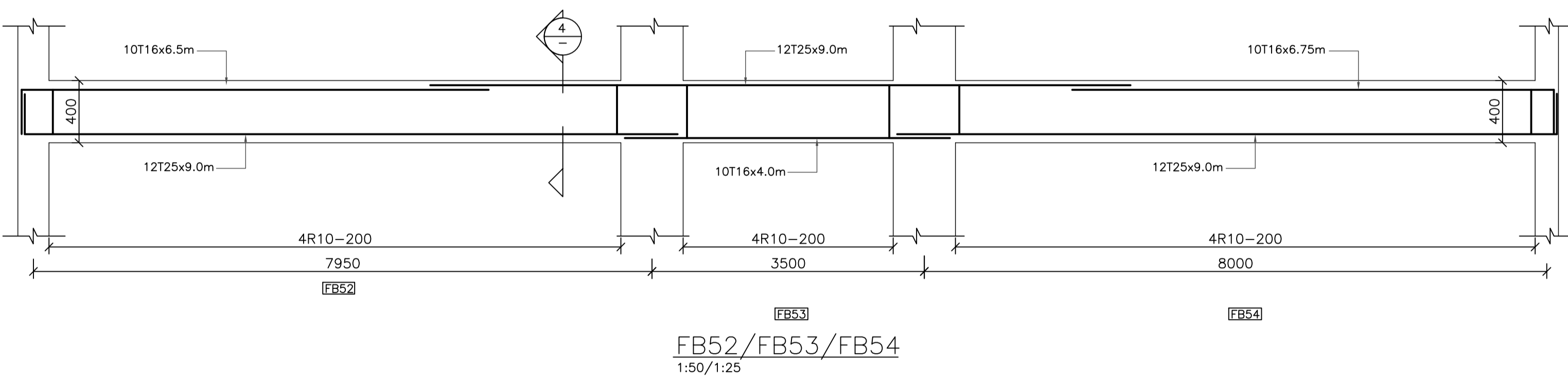
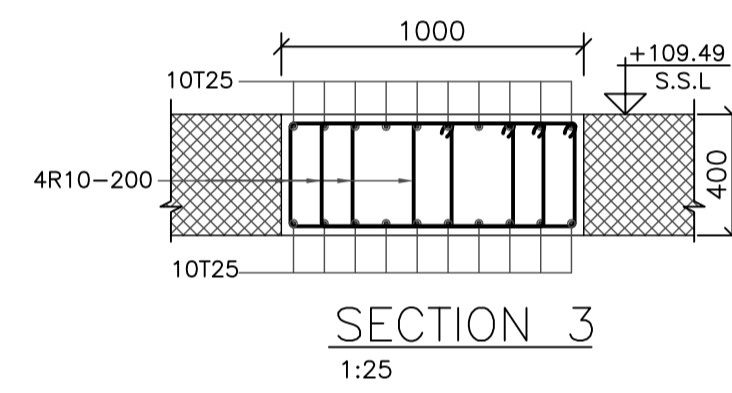
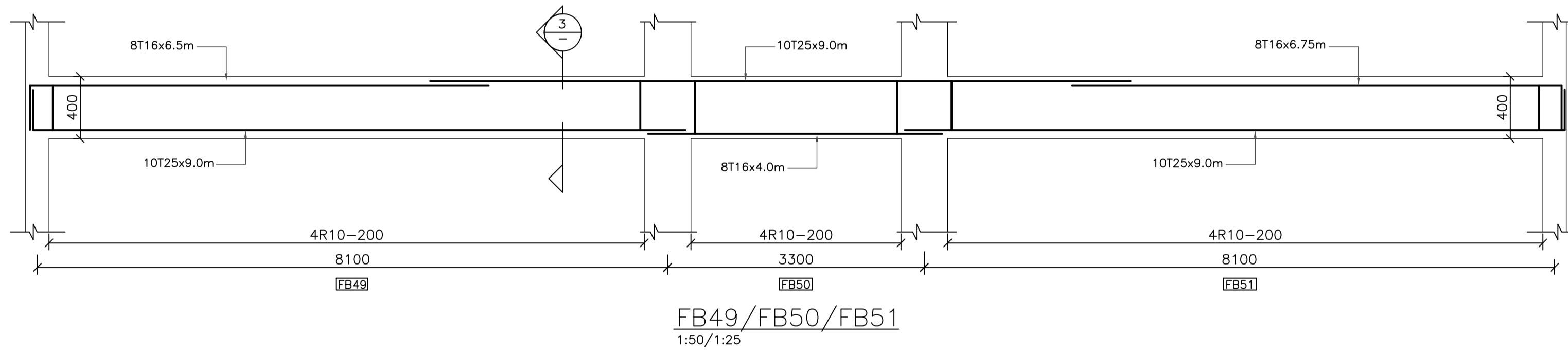
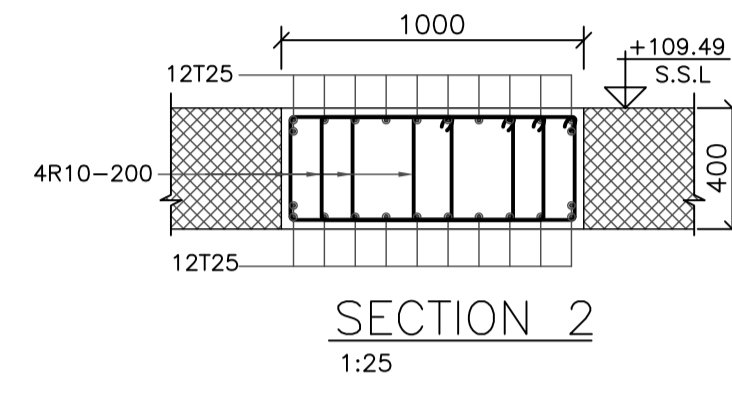
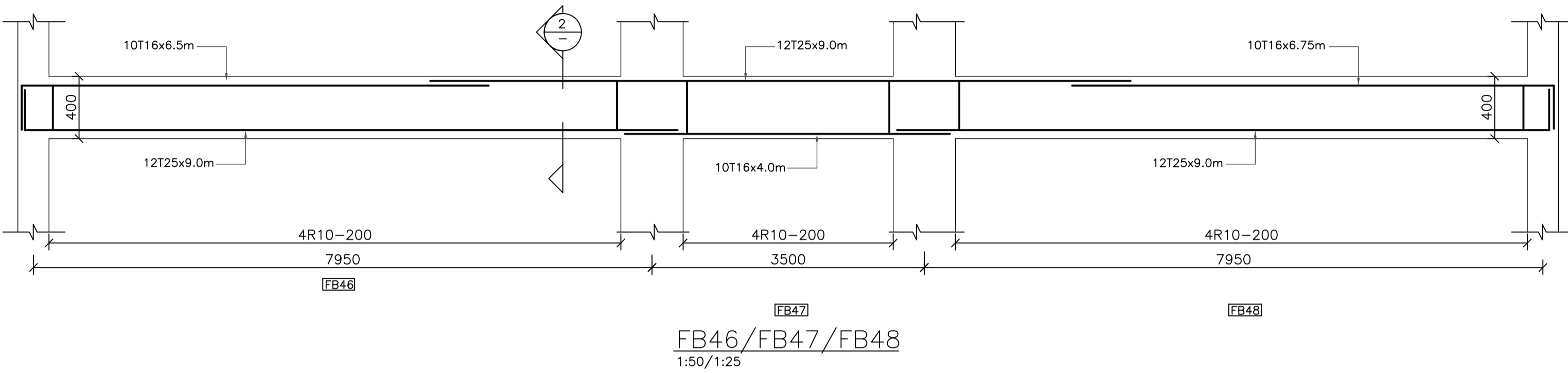
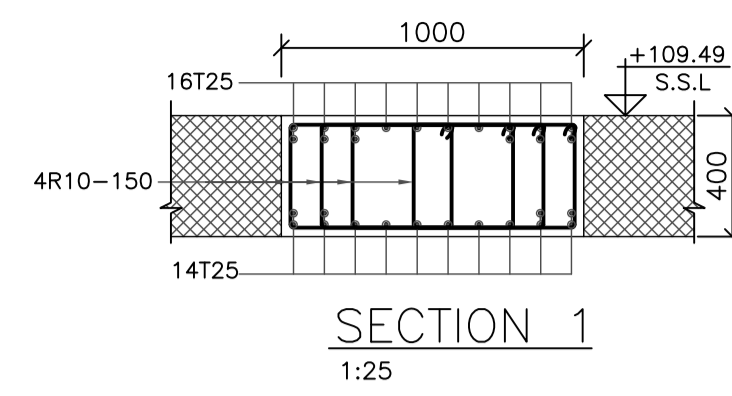
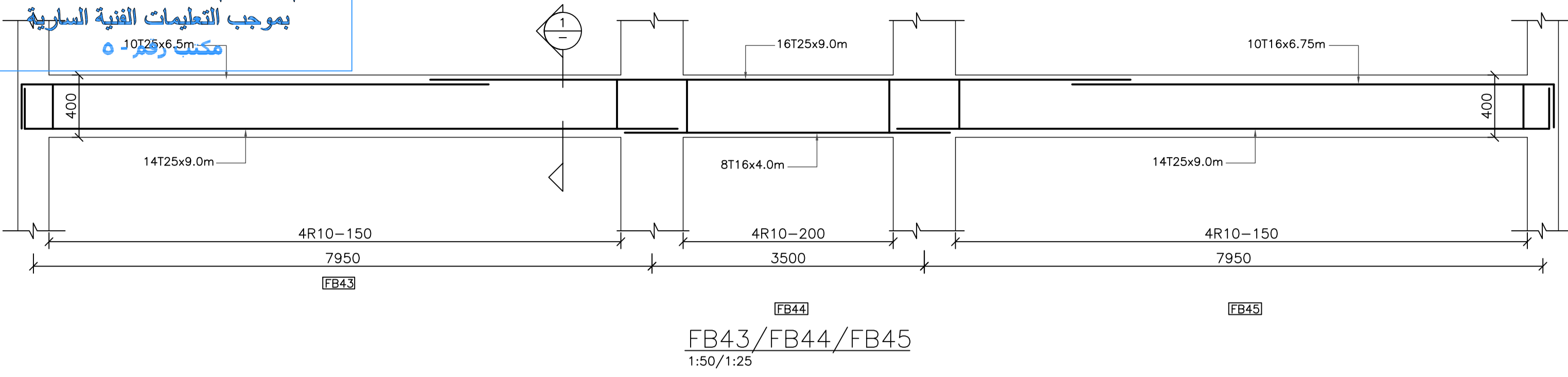


PHASE III  
PACKAGE 2  
Thahr Al Sarow Basic School For Boys (Jerash)  
SCHOOLS FOR A KNOWLEDGE ECONOMY PROJECT (USAID SKEP)

DRAWING NAME:  
FIRST FLOOR BEAMS DETAILS  
SHEET (2 OF 4)

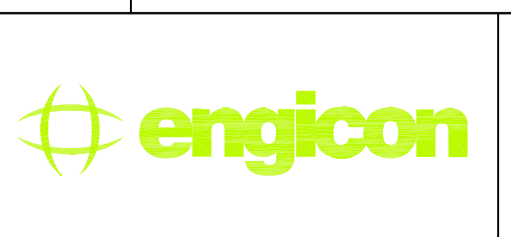
Design:	K.S.	Drawn:	CAD	Checked:	R.K	North:	
SCALE:	1:50/1:25	Date:	JUNE 2019	Approved:	W.Z.		
DRAWING NUMBER:	SKEP 14-SSB502			Rev.:	0		

تم التصميم حسب الكودات المعممة بموجب التعليمات الفنية السارية مكتب ريزون



REV.	DATE	REMARKS
0	JUNE 2019	VOL. IV - TENDER DRAWINGS

NOTES:



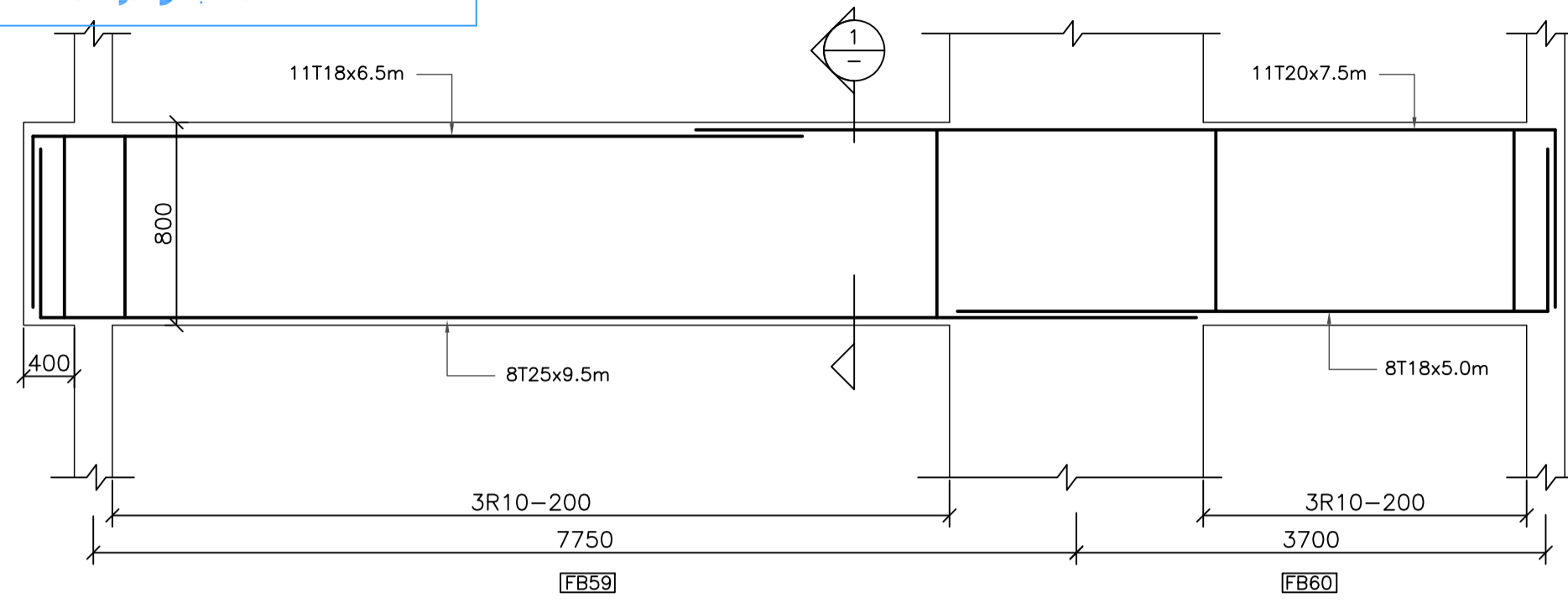
PHASE III  
PACKAGE 2  
Thahr Al Sarow Basic School For Boys (Jerash)  
SCHOOLS FOR A KNOWLEDGE ECONOMY PROJECT (USAID SKEP)

DRAWING NAME:  
FIRST FLOOR BEAMS DETAILS  
SHEET (3 OF 4)

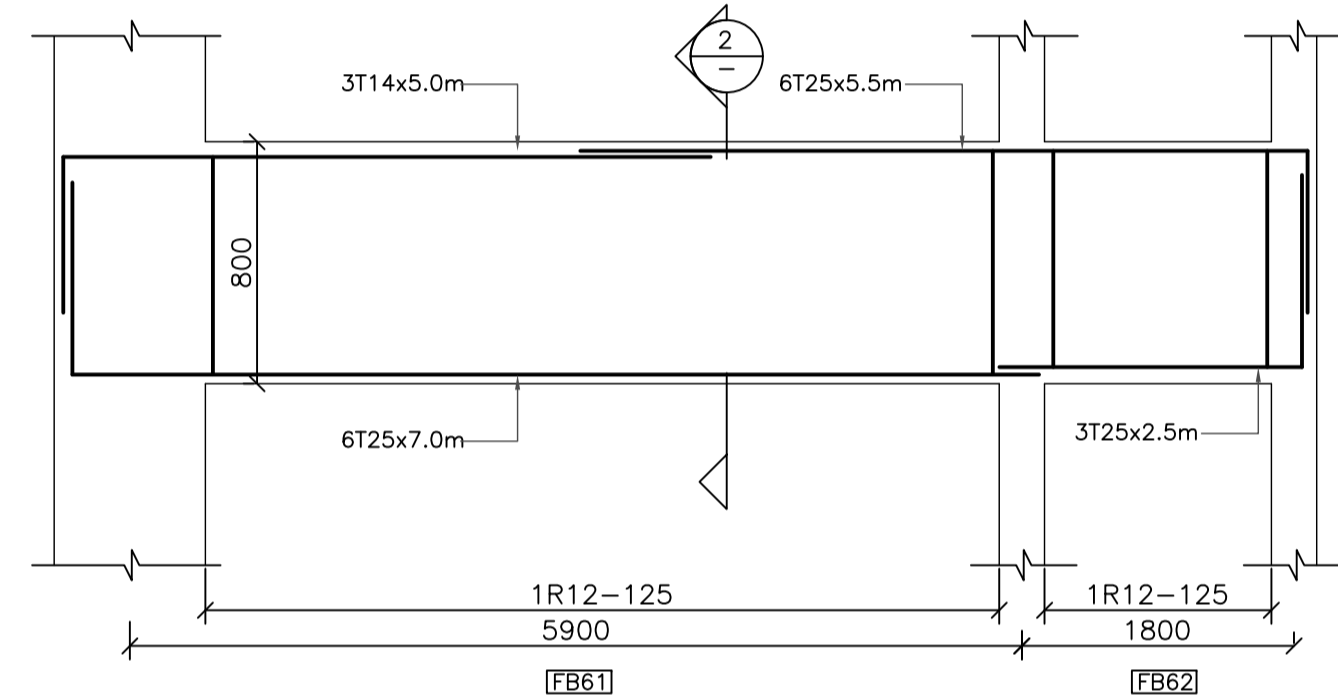
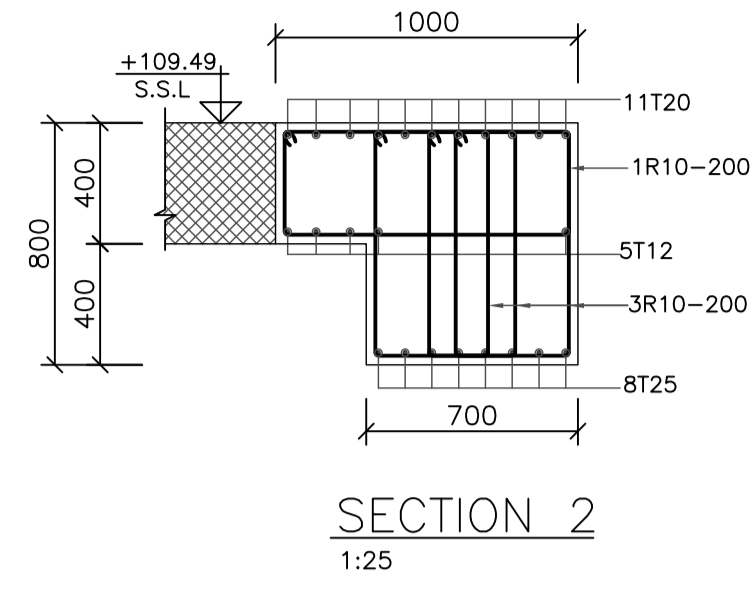
Design: K.S.	Drawn: CAD	Checked: R.K.	North:
SCALE: 1:50/1:25	Date: JUNE 2019	Approved: W.Z.	
PLOT No: 435	LOCATION: Thahr Al Sarow	BASIN NO: 4 Dair Alliat	DRAWING NUMBER: SKEP 14-SSB503
			Rev.: 0



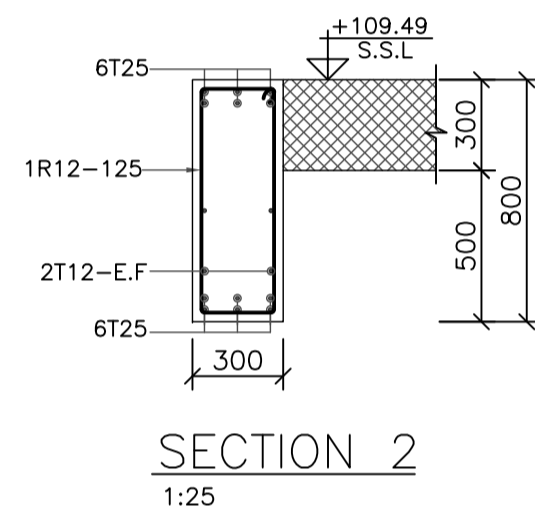
تم التصميم حسب الكودات المعممة بموجب التعليمات الفنية السارية  
مكتب رقم - ٥



FB59/FB60  
1:50/1:25



FB61/FB62  
1:50/1:25



REV.	DATE	REMARKS
0	JUNE 2019	VOL. IV - TENDER DRAWINGS

NOTES:



**USAID**  
FROM THE AMERICAN PEOPLE



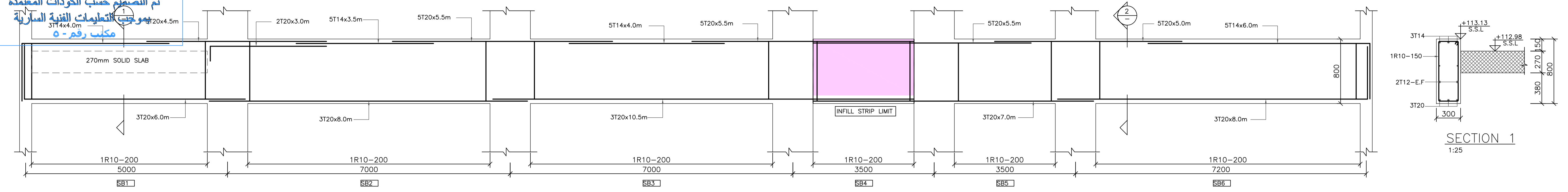
PHASE III  
PACKAGE 2

Thahr Al Sarow Basic School For Boys  
(Jerash)  
SCHOOLS FOR A KNOWLEDGE ECONOMY  
PROJECT (USAID SKEP)

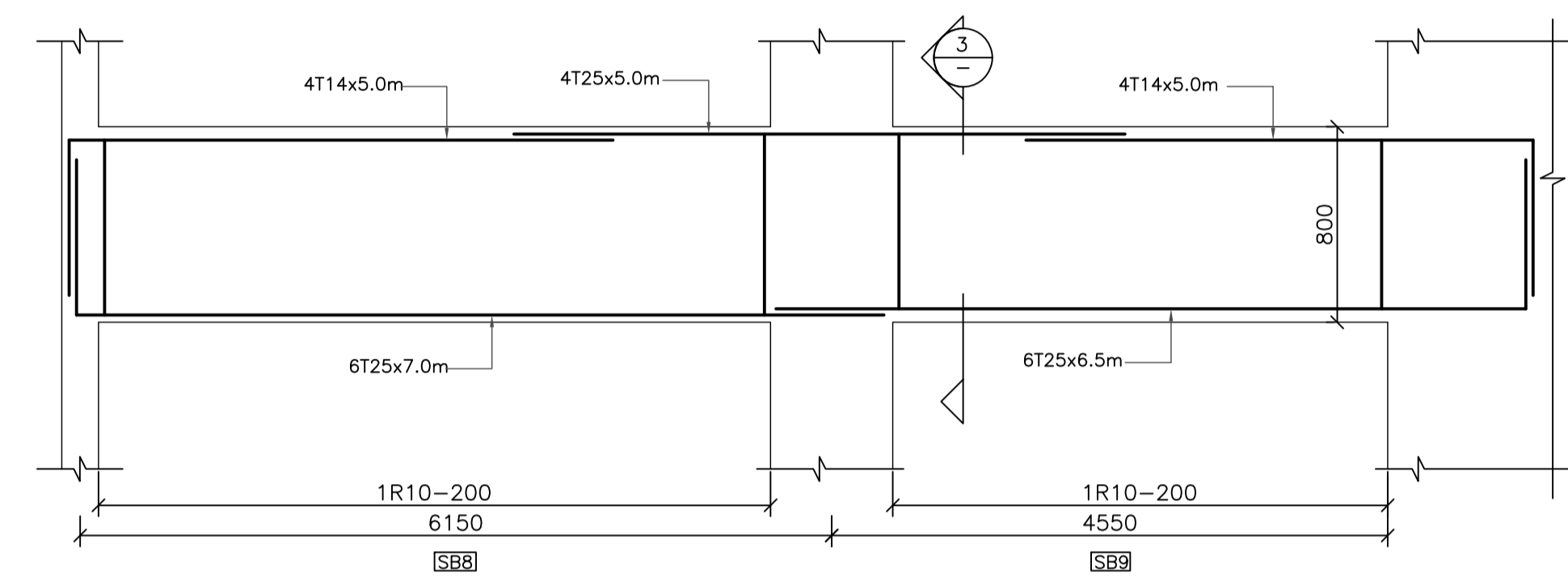
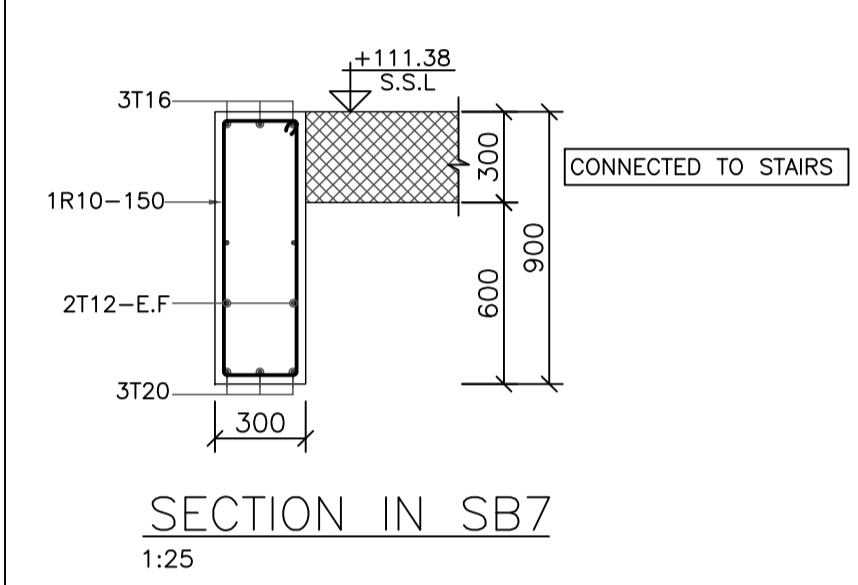
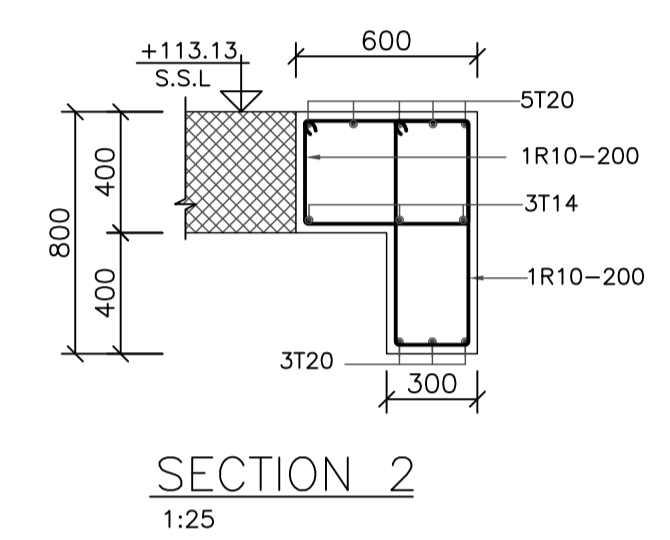
DRAWING NAME: FIRST FLOOR BEAMS DETAILS SHEET (4 OF 4)		
Design: K.S.	Drawn: CAD	Checked: R.K.
SCALE: 1:50/1:25	Date: JUNE 2019	Approved: W.Z.
PLOT No: 435	LOCATION: Thahr Al Sarow	BASIN NO: 4 Dair Alliat
DRAWING NUMBER: SKEP 14-SSB504		

North:
Rev.: 0

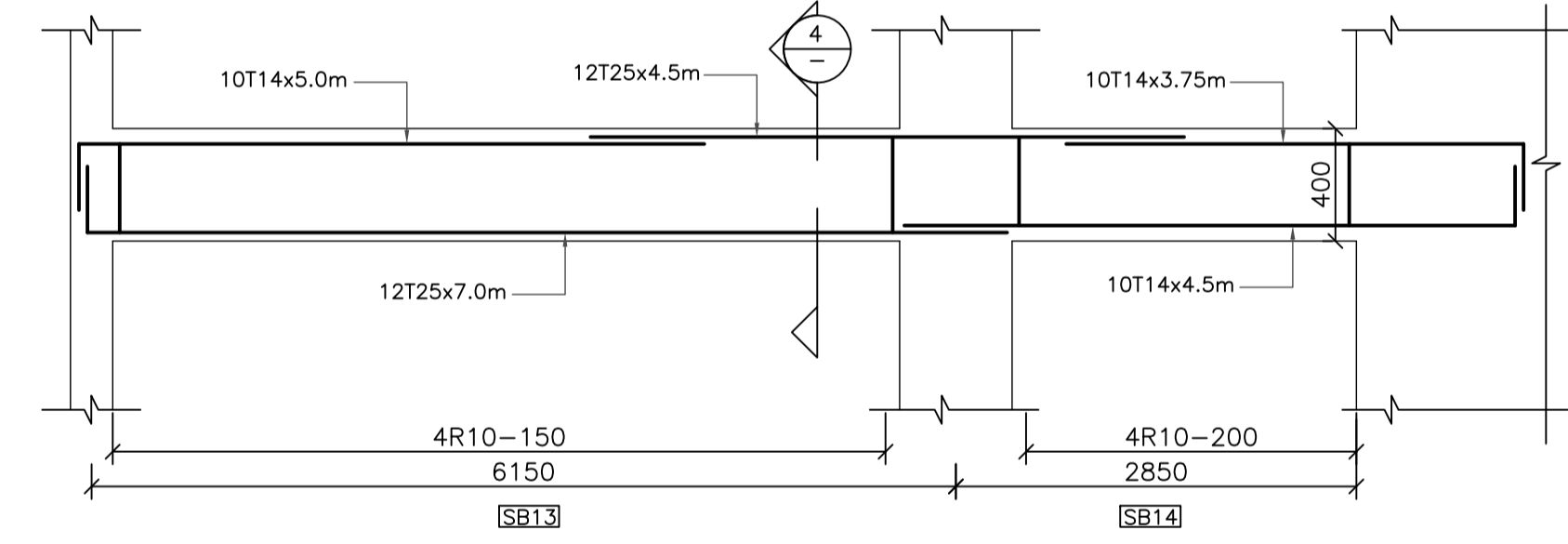
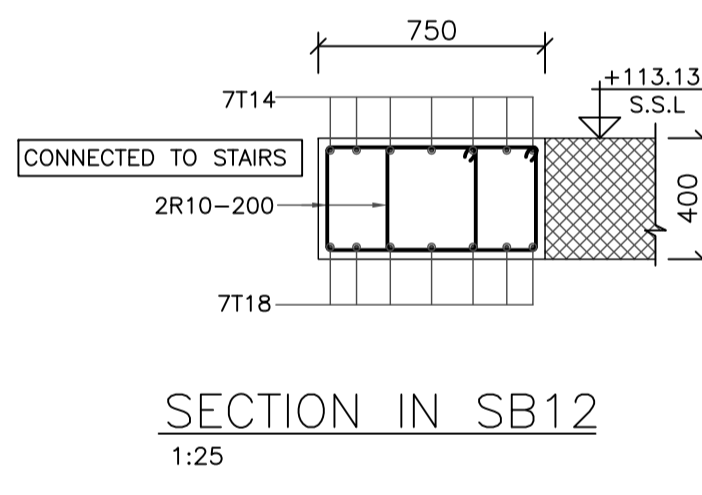
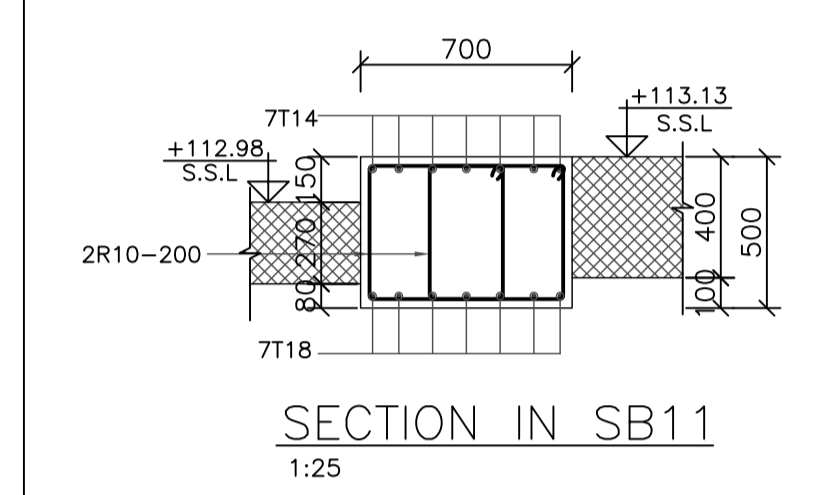
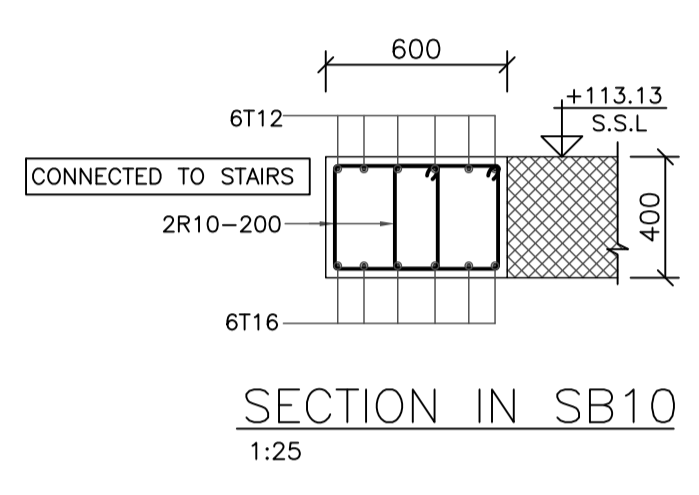
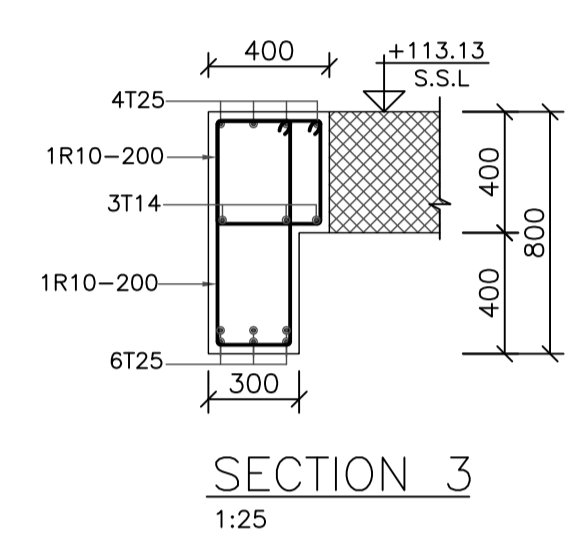
تم التصميم حسب الكودات المعممة  
موجب التعليمات الفنية السابقة  
مكتب رقم - 6



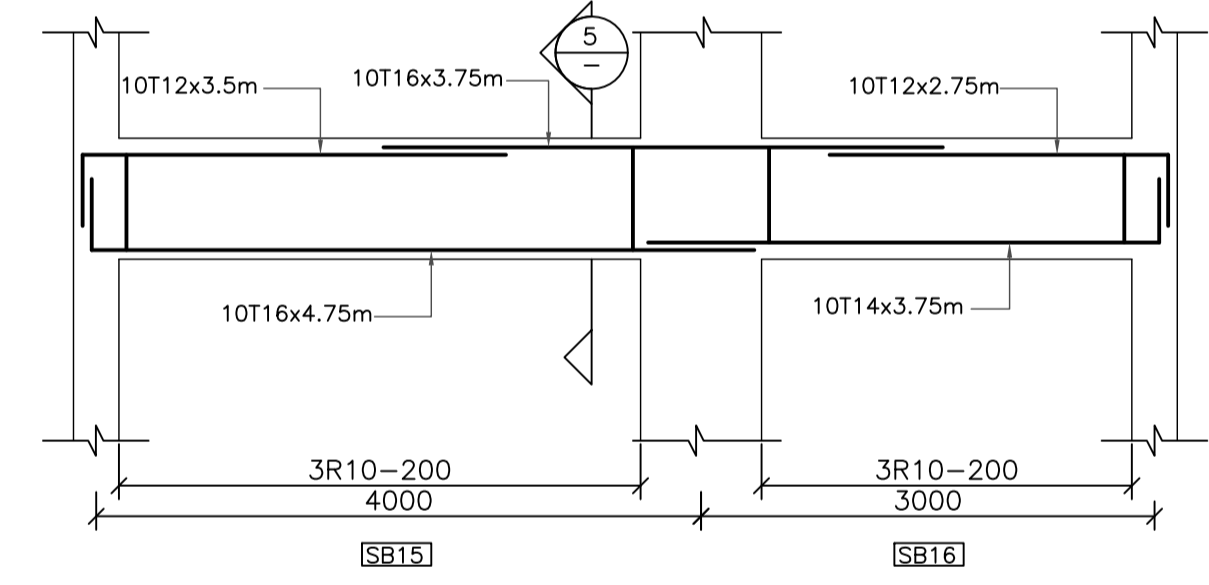
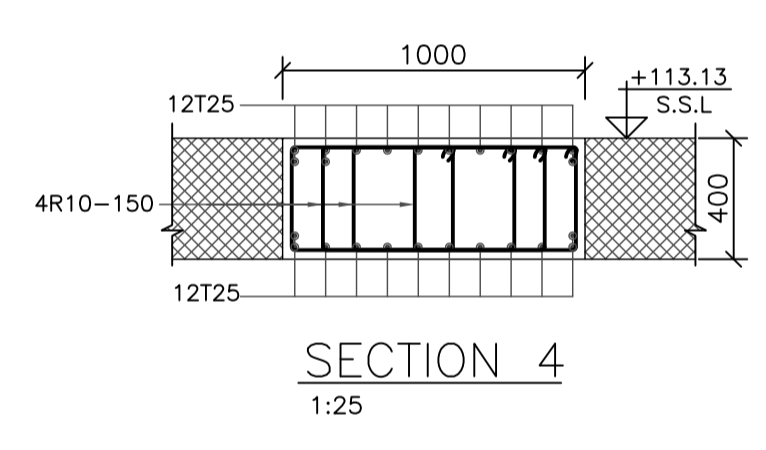
SB1/SB2/SB3/SB4/SB5/SB6  
1:50/1:25



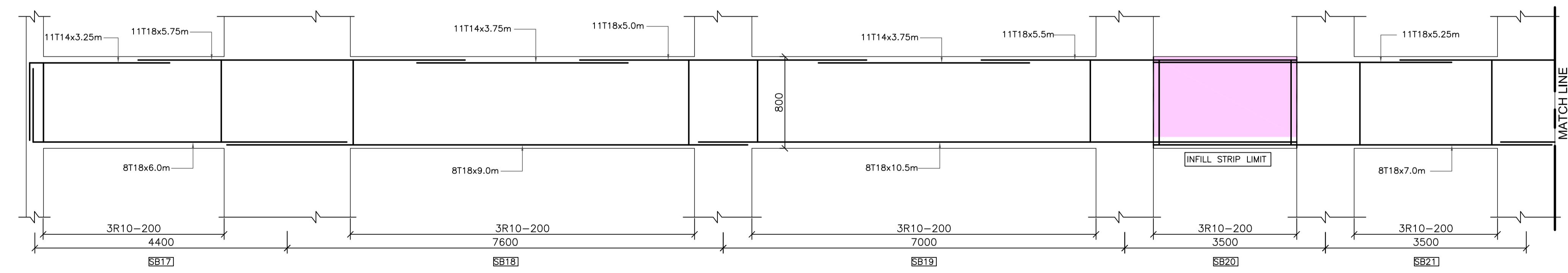
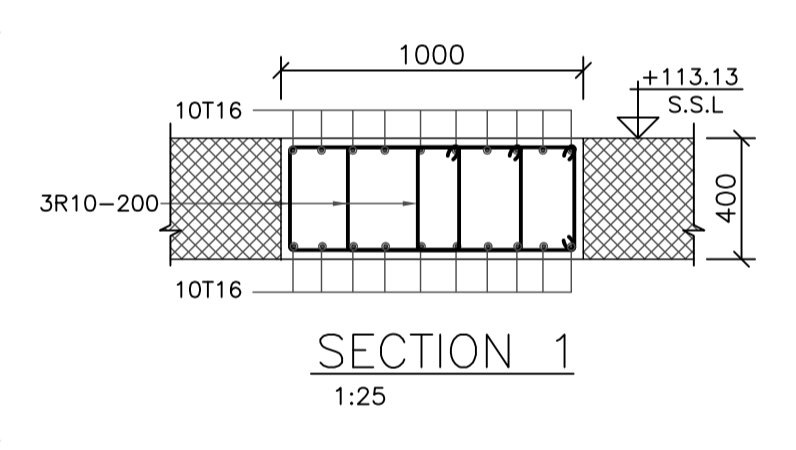
SB8/SB9  
1:50/1:25



SB13/SB14  
1:50/1:25



SB15/SB16  
1:50/1:25



SB17/SB18/SB19/SB20/SB21/SB22/SB23/SB24/SB25  
1:50/1:25

REV.	DATE	REMARKS
0	JUNE 2019	VOL. IV - TENDER DRAWINGS

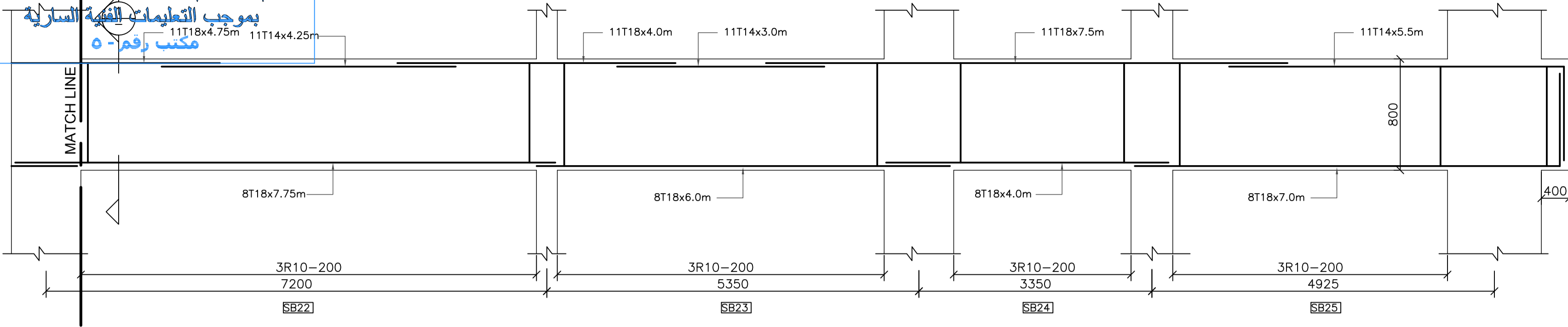
NOTES:



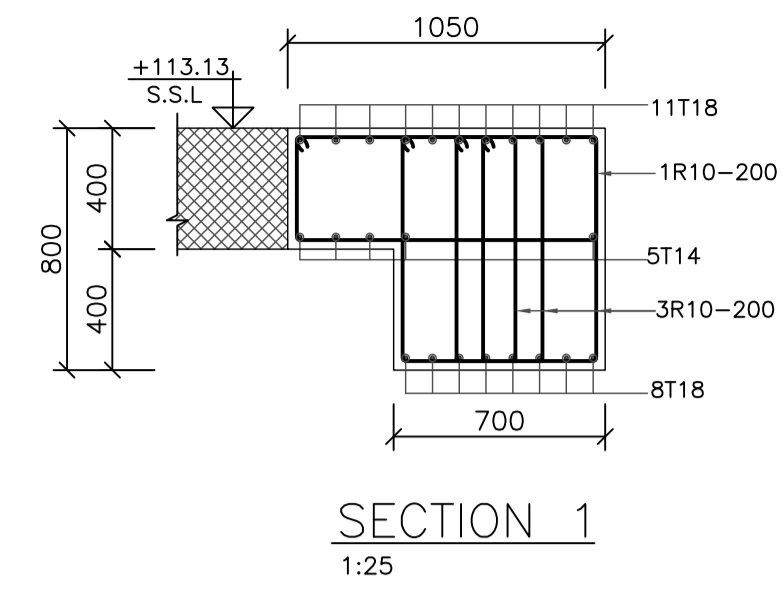
PHASE III  
PACKAGE 2  
Thahr Al Sarow Basic School For Boys (Jerash)  
SCHOOLS FOR A KNOWLEDGE ECONOMY PROJECT (USAID SKEP)

DRAWING NAME: SECOND FLOOR BEAMS DETAILS SHEET (1 OF 3)		Design: K.S.	Drawn: CAD	Checked: R.K.	North:
PLOT No: 435		SCALE: 1:50/1:25	Date: JUNE 2019	Approved: W.Z.	Rev.: 0
LOCATION: Thahr Al Sarow	BASIN NO: 4 Dair Alliat	DRAWING NUMBER: SKEP 14-SSB505			

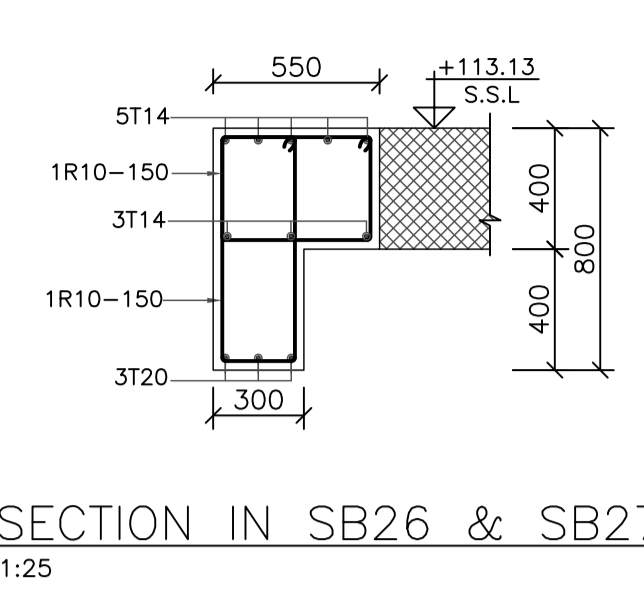
تم التصميم حسب الكودات المعممة بموجب التعليمات الفنية المنارية مكتب رقم ٥



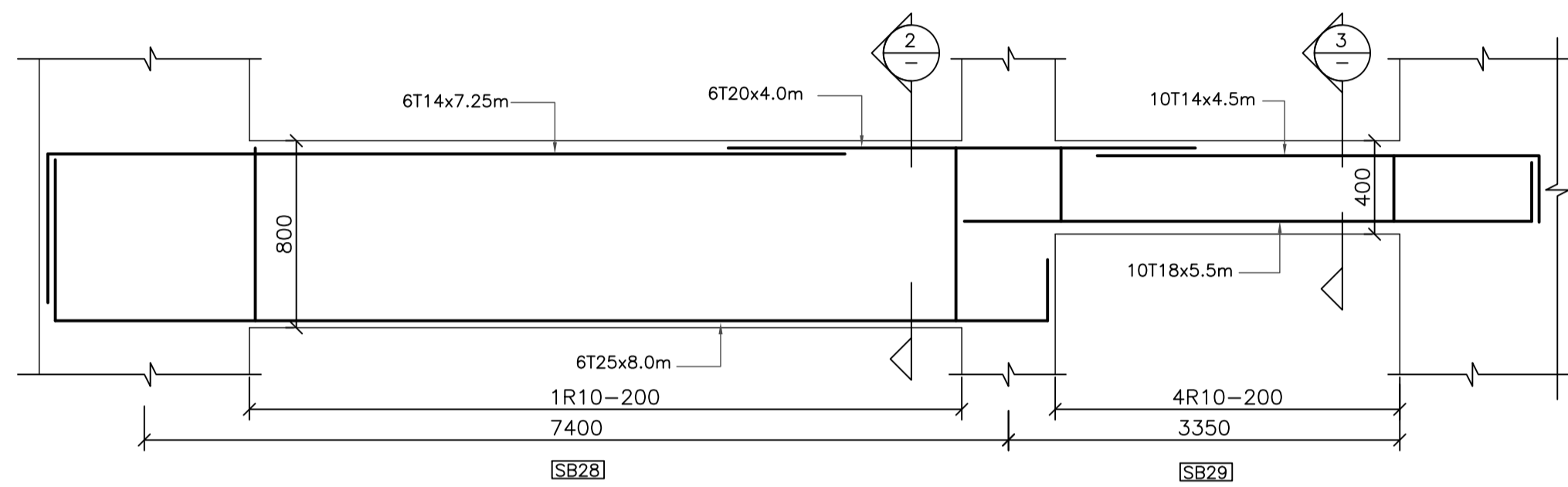
SB17/SB18/SB19/SB20/SB21/SB22/SB23/SB24/SB25  
1:50/1:25



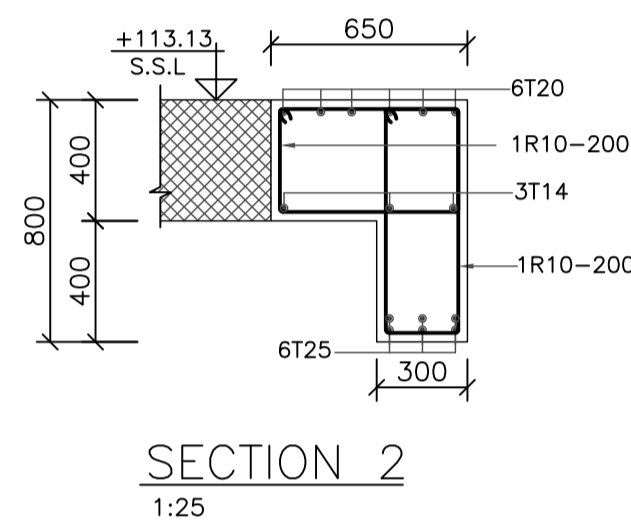
SECTION 1  
1:25



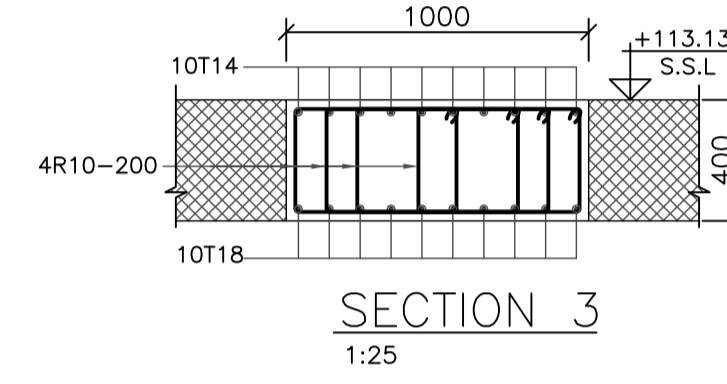
SECTION IN SB26 & SB27  
1:25



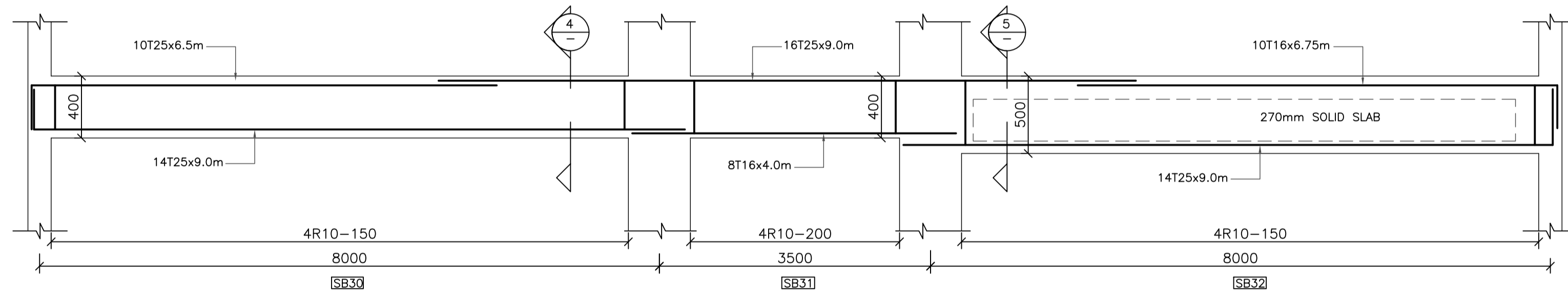
SB28/SB29  
1:50/1:25



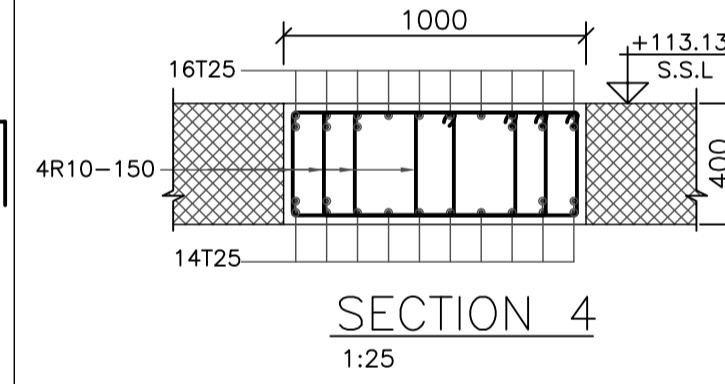
SECTION 2  
1:25



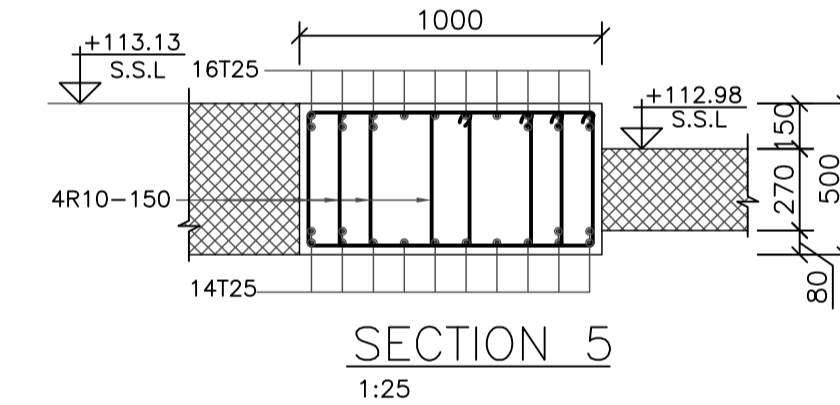
SECTION 3  
1:25



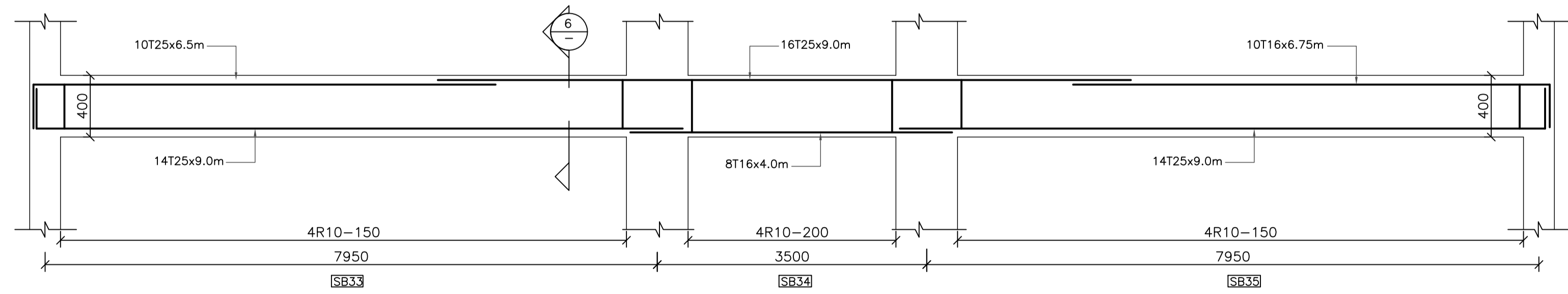
SB30/SB31/SB32  
1:50/1:25



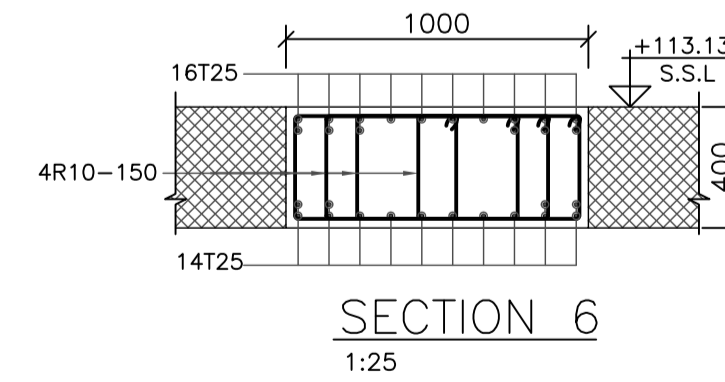
SECTION 4  
1:25



SECTION 5  
1:25



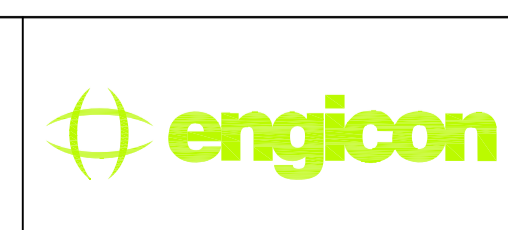
SB33/SB34/SB35  
1:50/1:25



SECTION 6  
1:25

REV.	DATE	REMARKS
0	JUNE 2019	VOL. IV - TENDER DRAWINGS

NOTES:

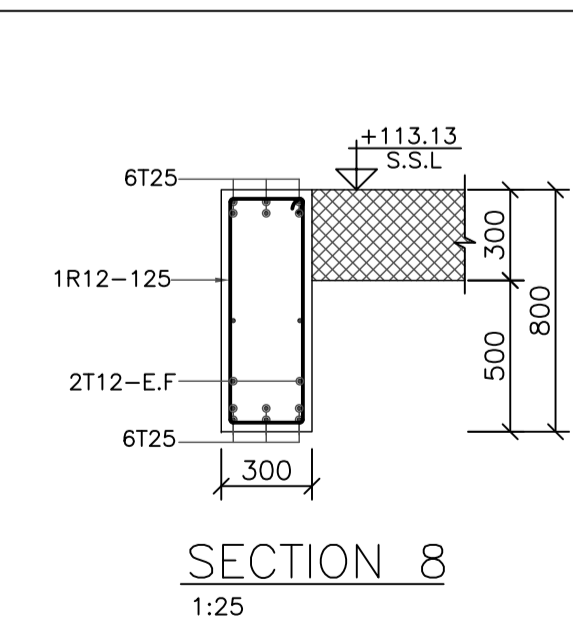
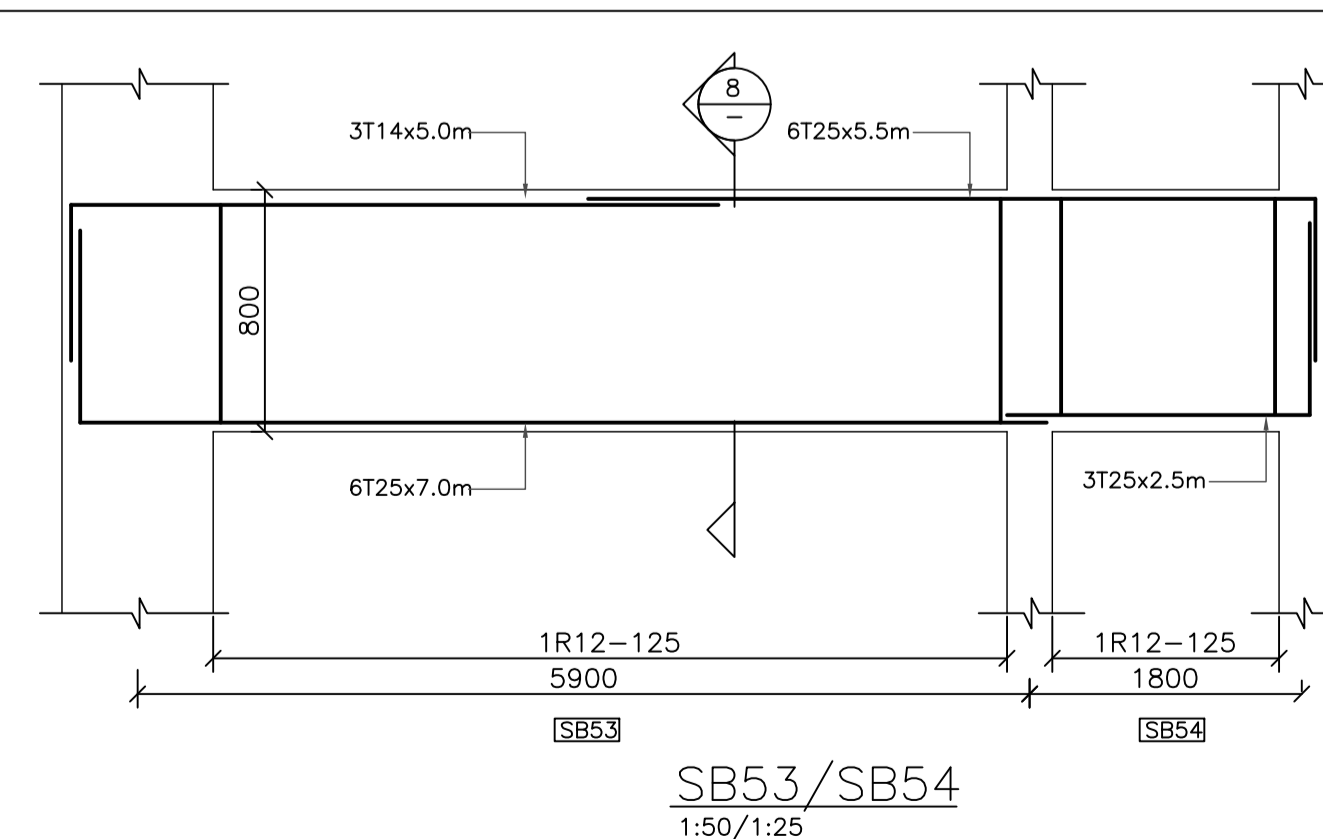
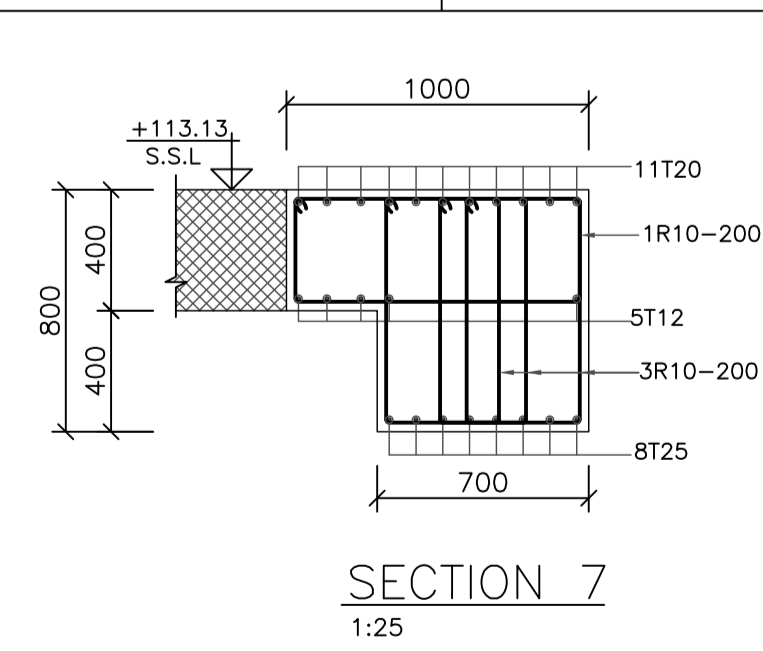
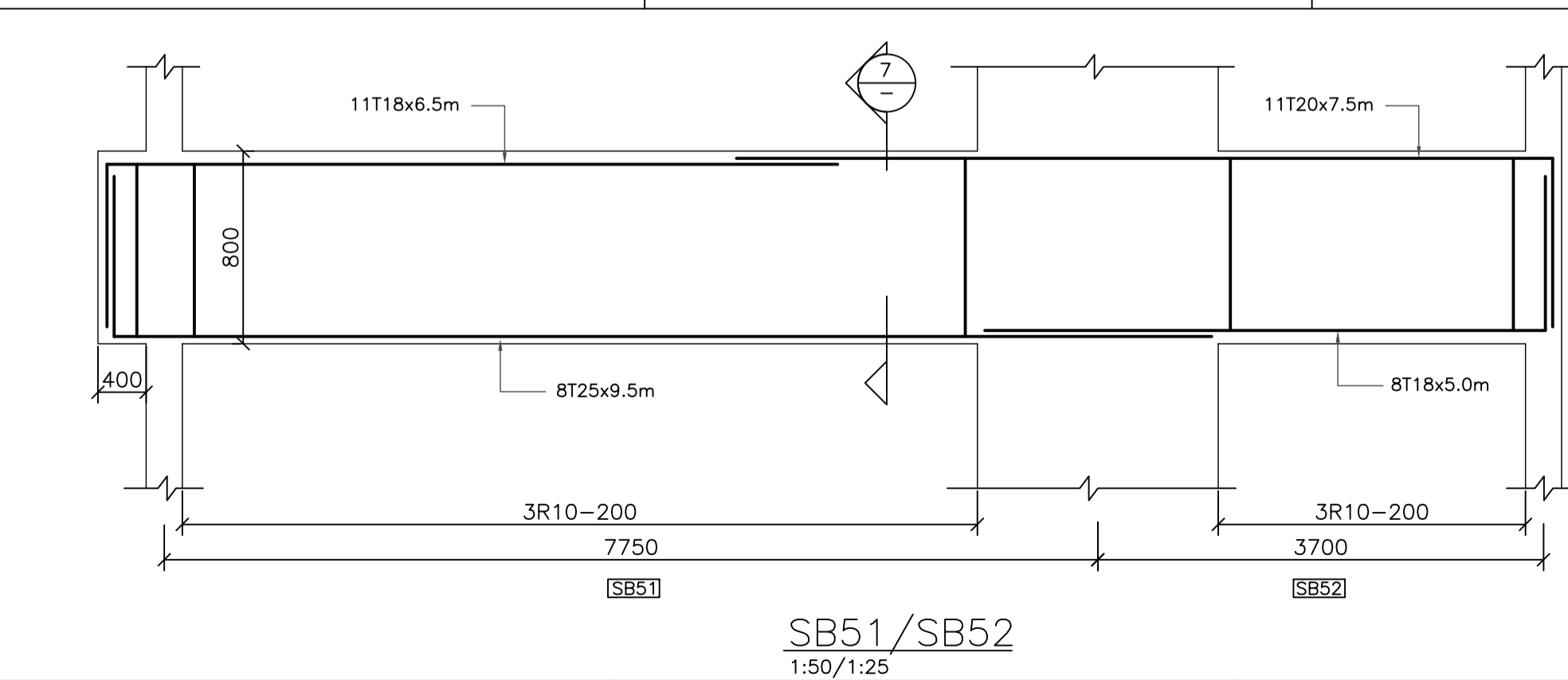
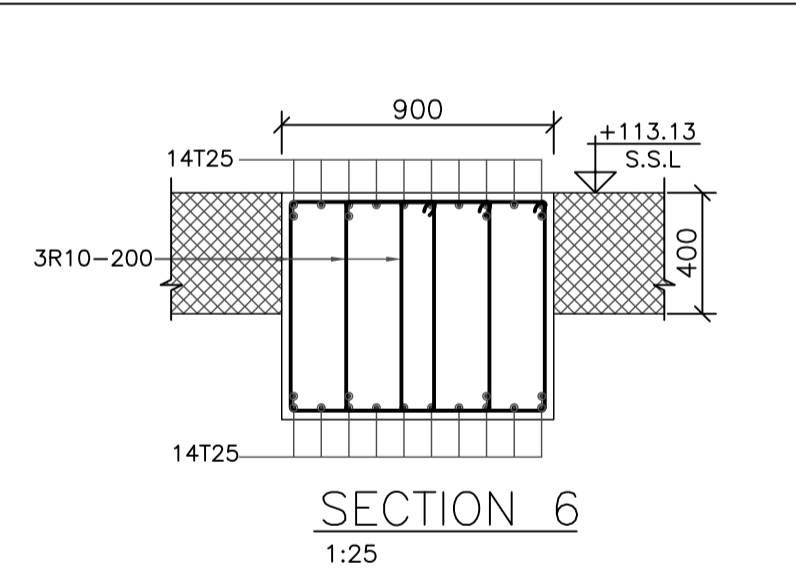
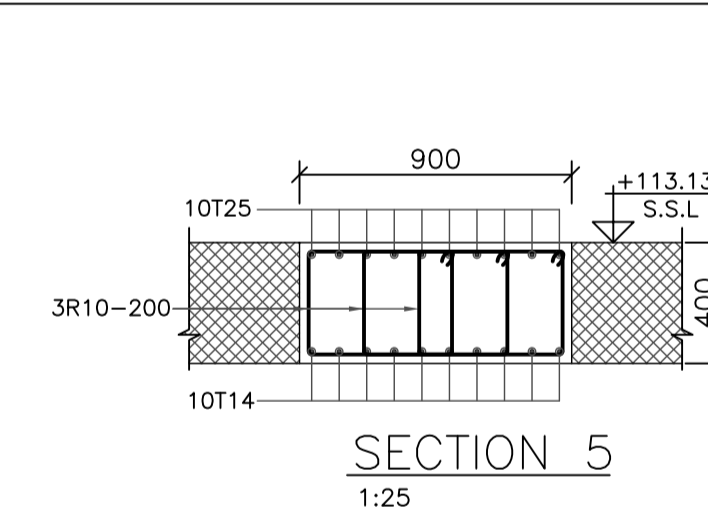
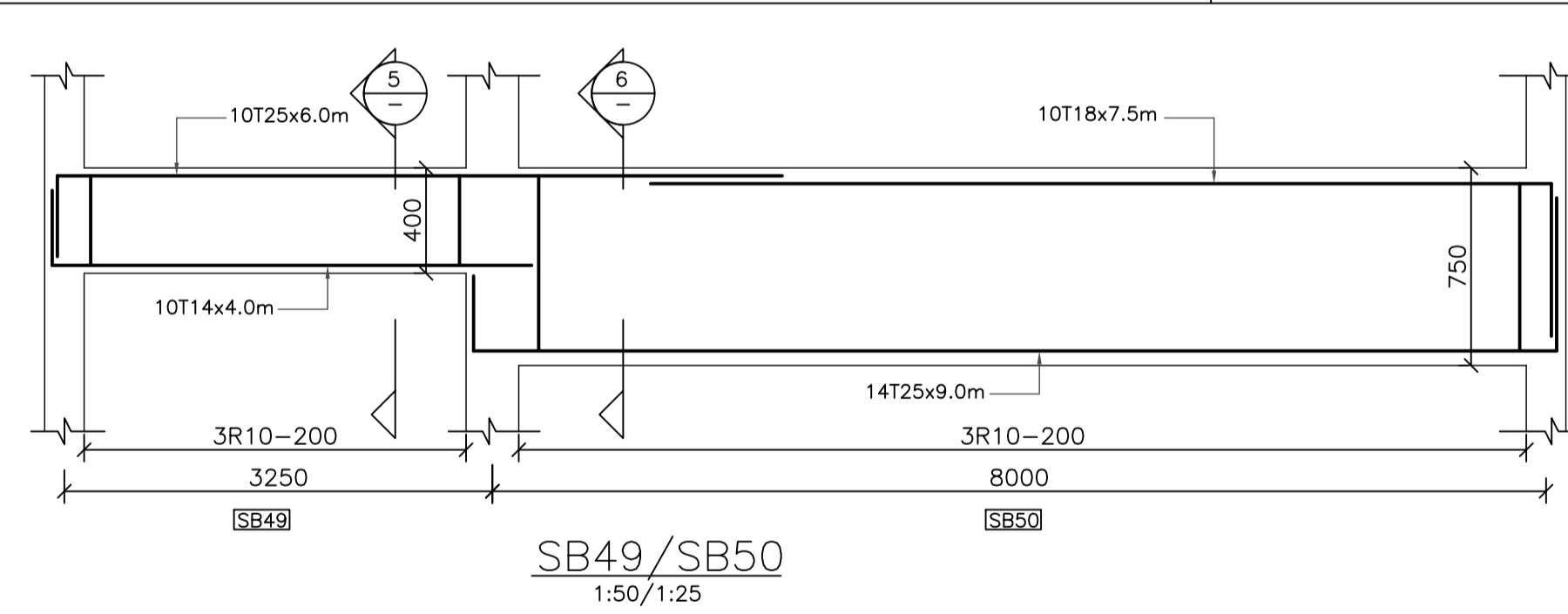
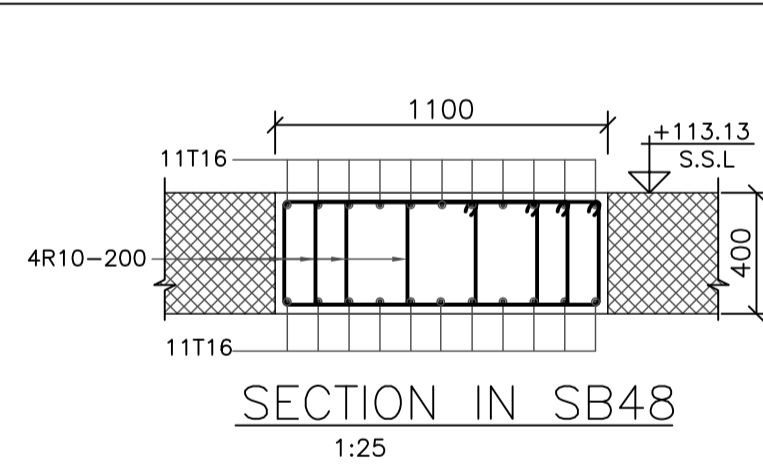
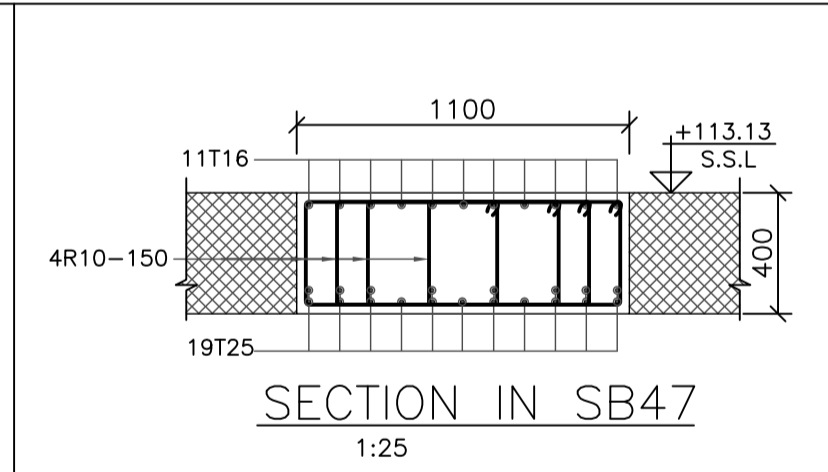
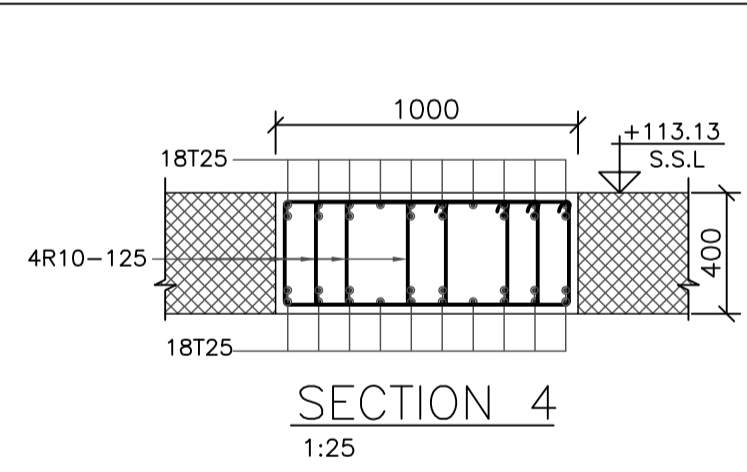
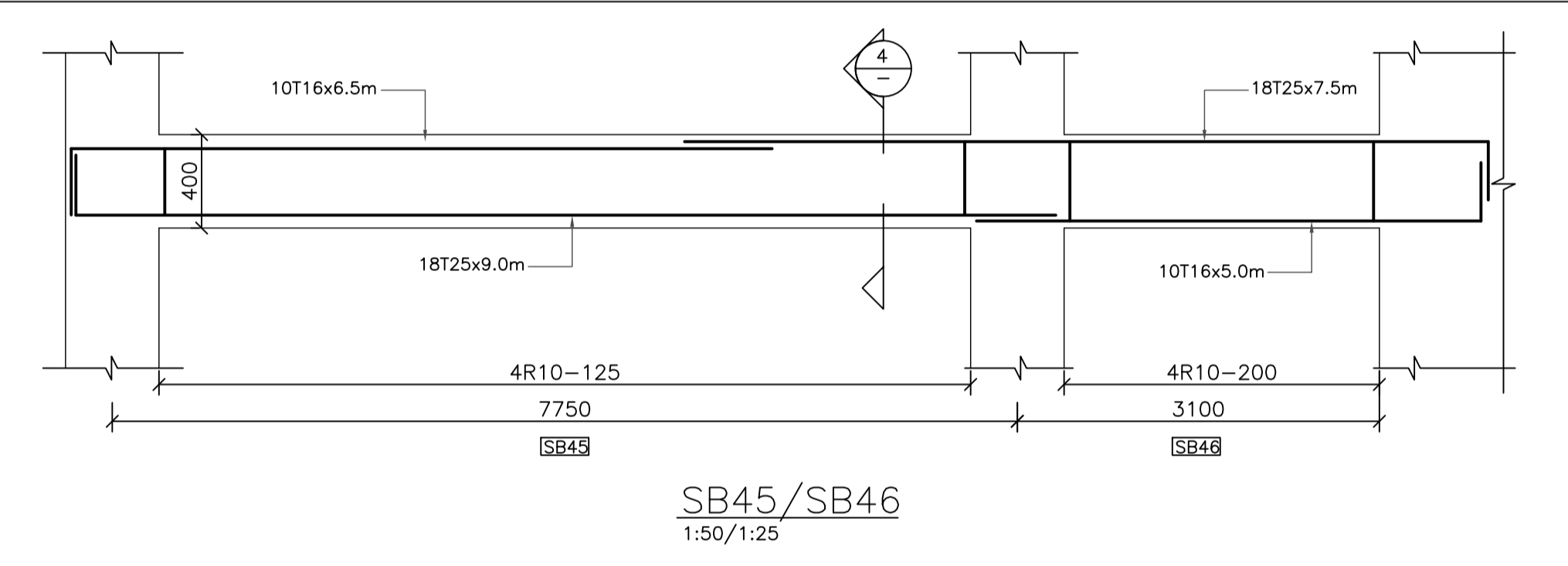
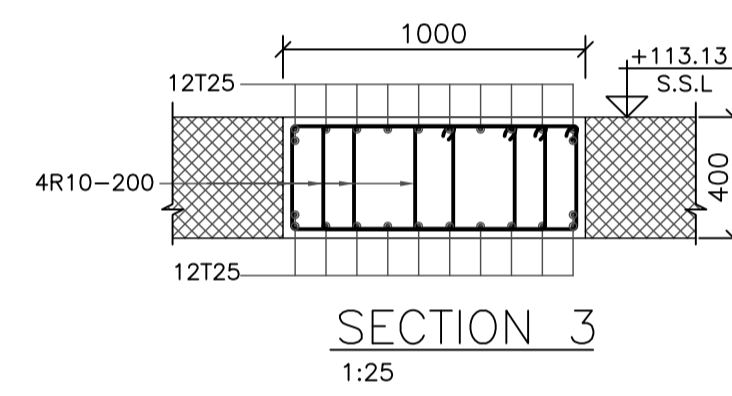
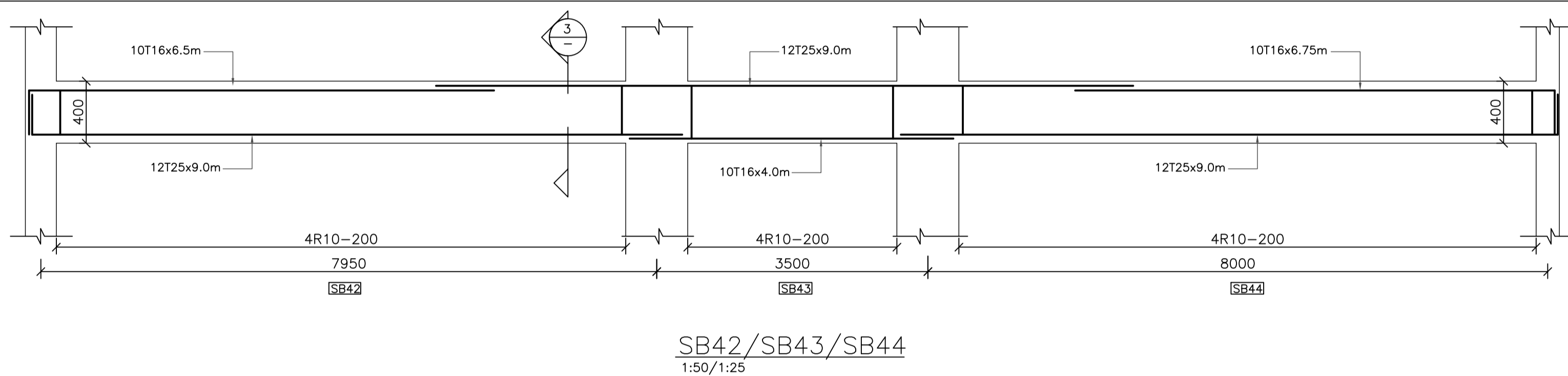
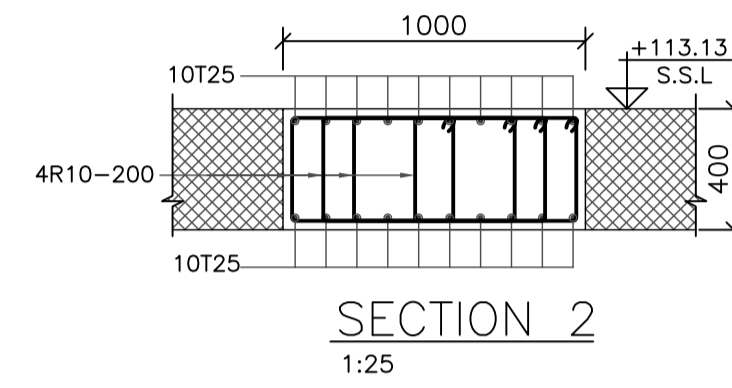
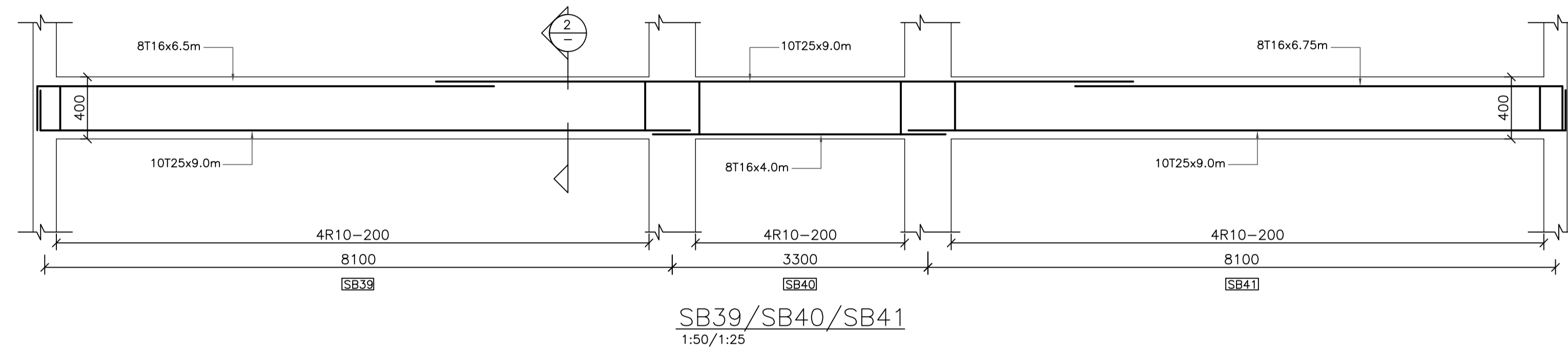
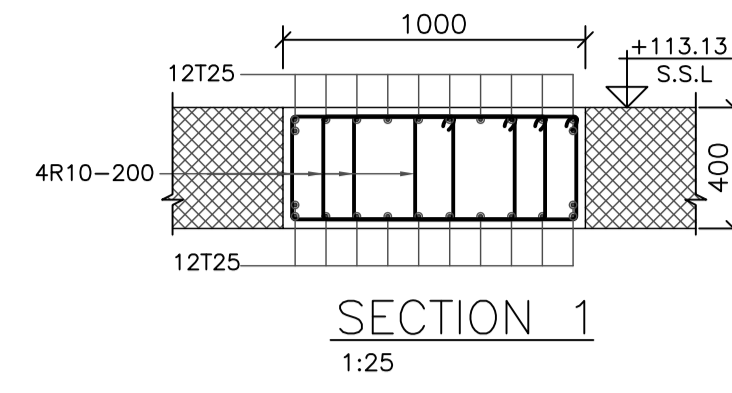
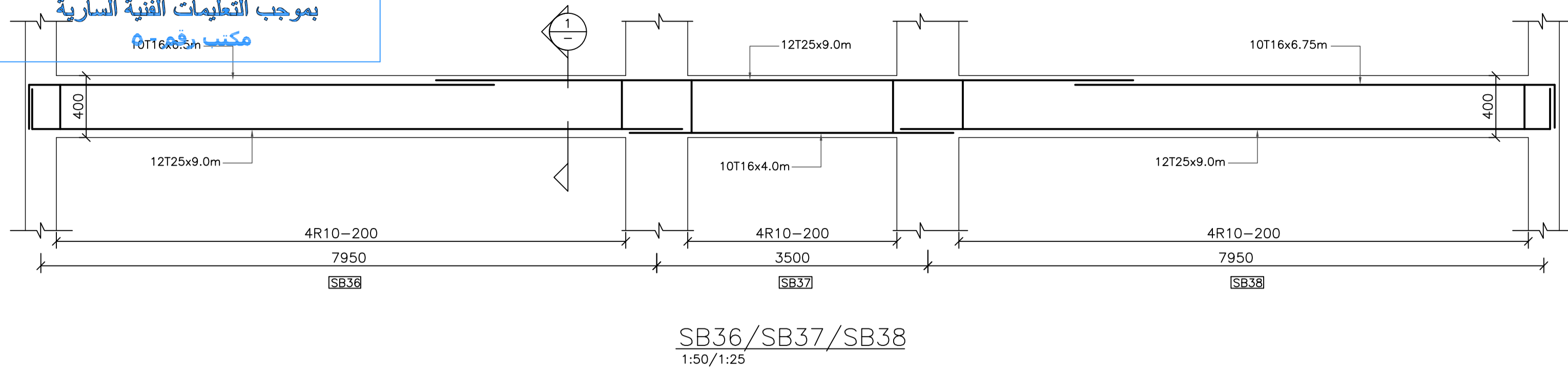


PHASE III  
PACKAGE 2  
Thahr Al Sarow Basic School For Boys (Jerash)  
SCHOOLS FOR A KNOWLEDGE ECONOMY PROJECT (USAID SKEP)

DRAWING NAME:  
SECOND FLOOR BEAMS DETAILS  
SHEET (2 OF 3)

Design: K.S.	Drawn: CAD	Checked: R.K.	North:
SCALE: 1:50/1:25	Date: JUNE 2019	Approved: W.Z.	
PLOT No: 435	LOCATION: Thahr Al Sarow	BASIN NO: 4 Dair Alliat	DRAWING NUMBER: SKEP 14-SSB506
			Rev.: 0

تم التصميم حسب الكودات المعممة بموجب التعليمات الفنية السارية  
مكتب 1016x6.5m



REV.	DATE	REMARKS
0	JUNE 2019	VOL. IV - TENDER DRAWINGS

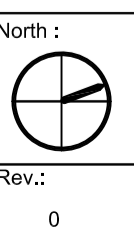
NOTES:  
1:50/1:25



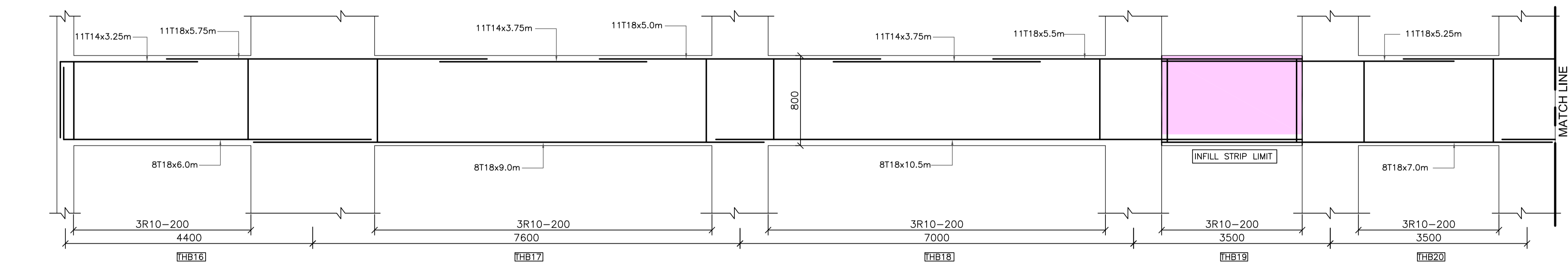
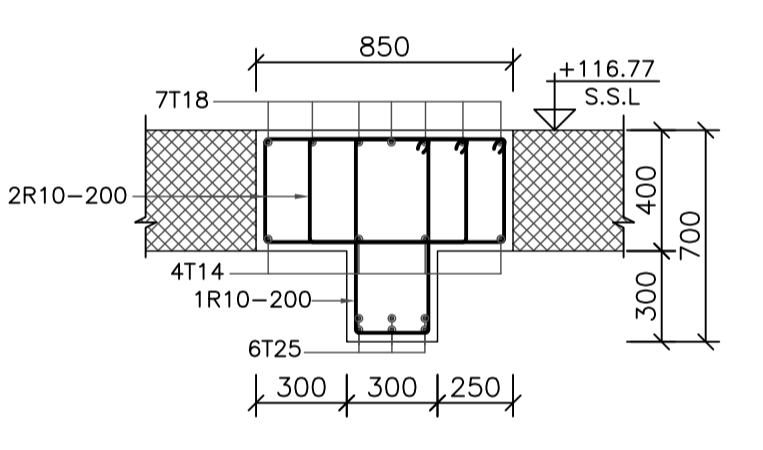
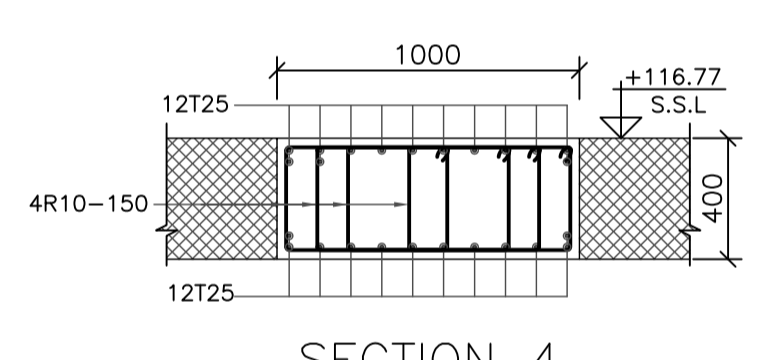
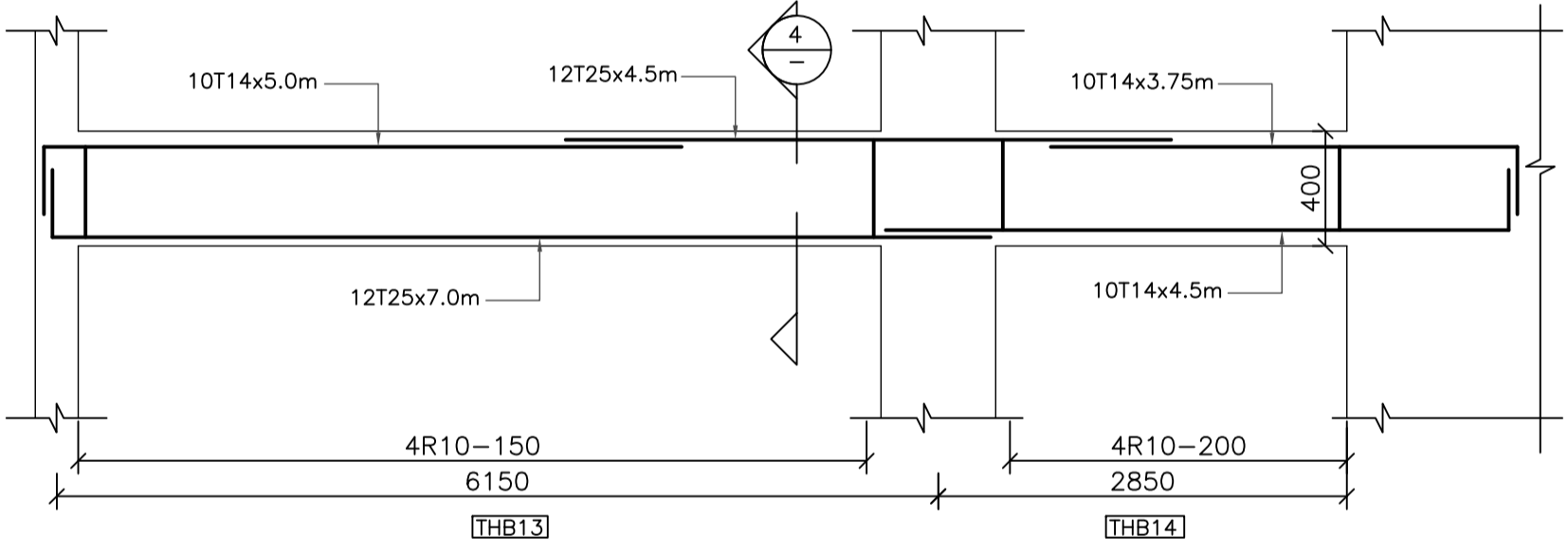
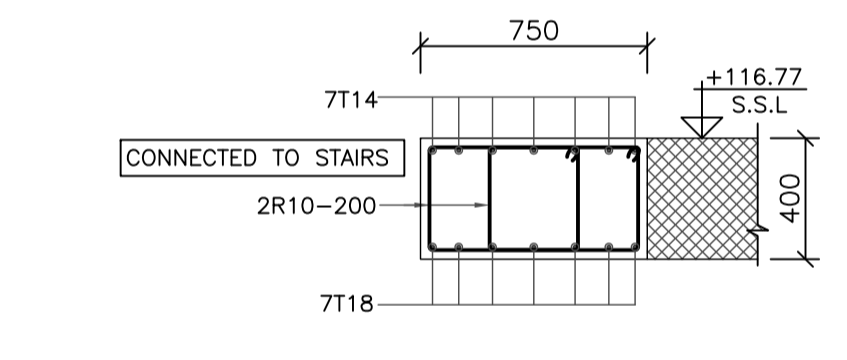
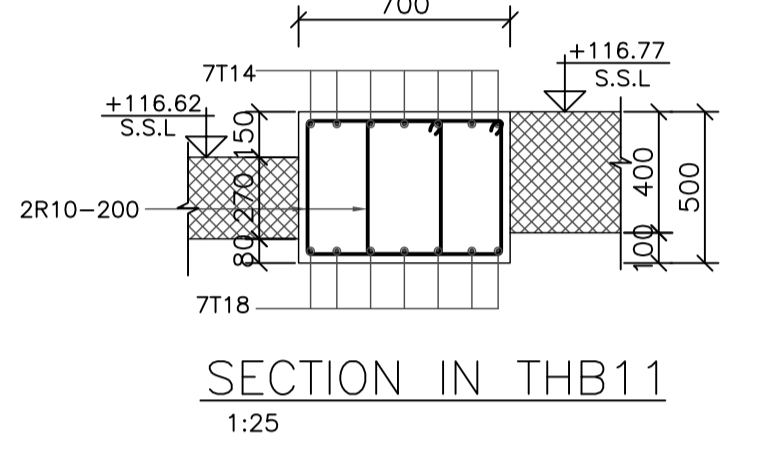
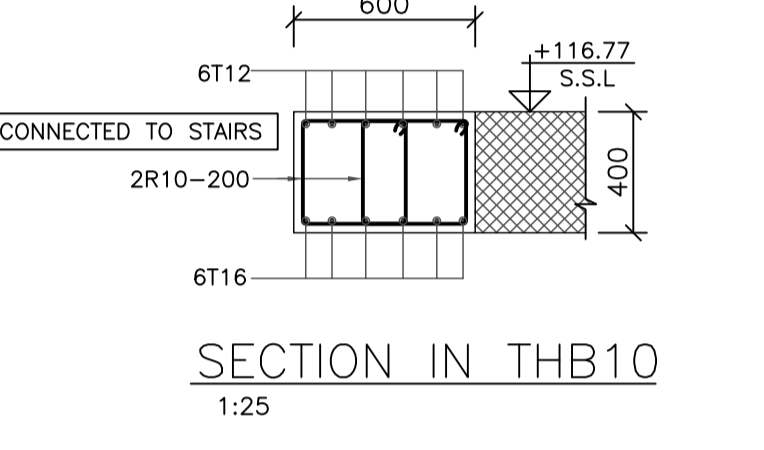
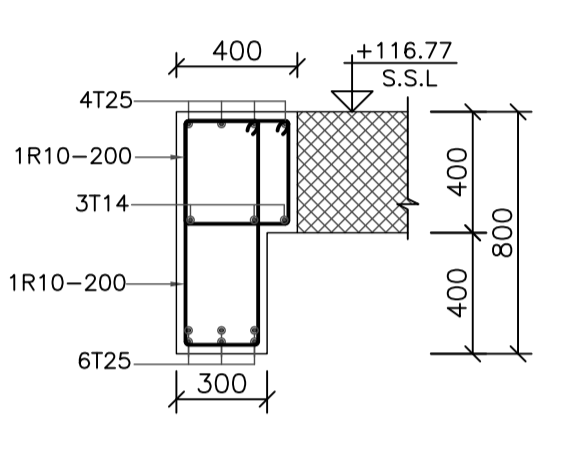
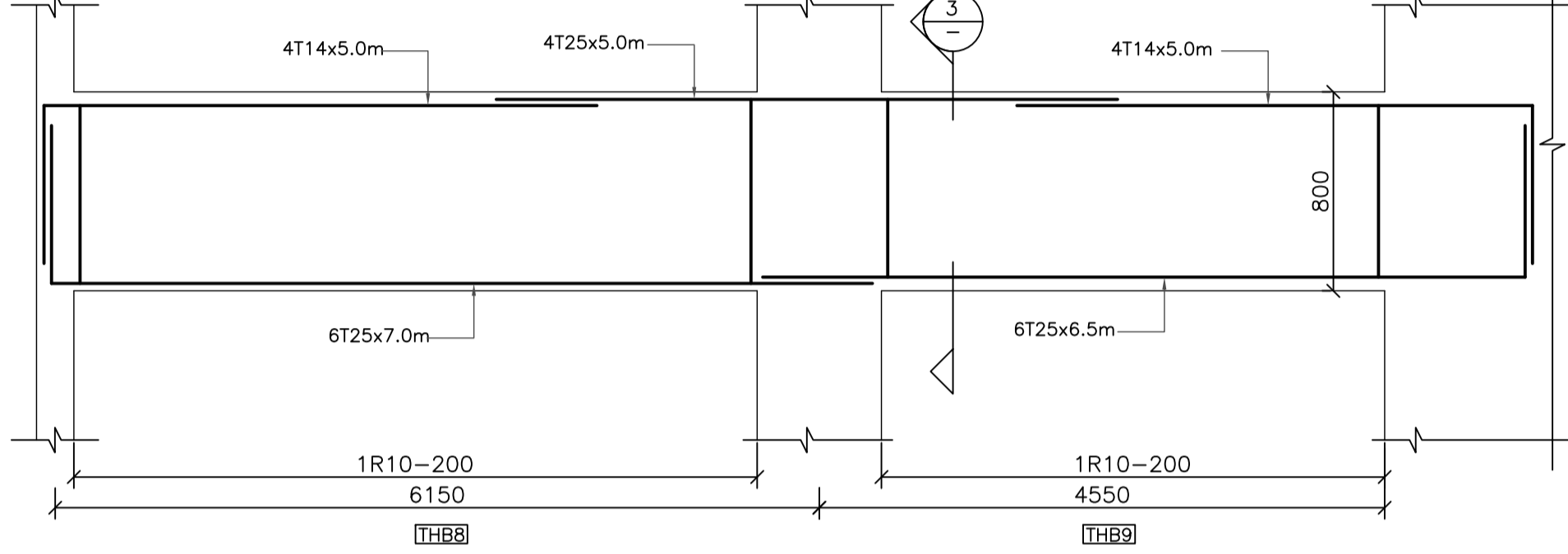
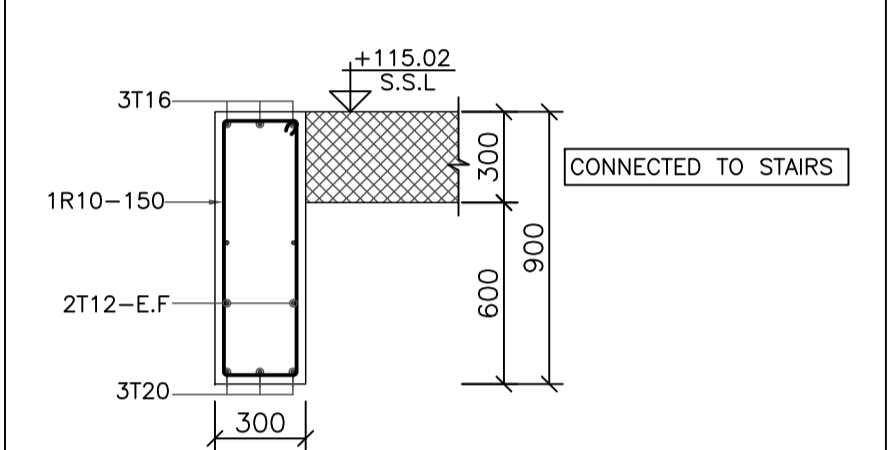
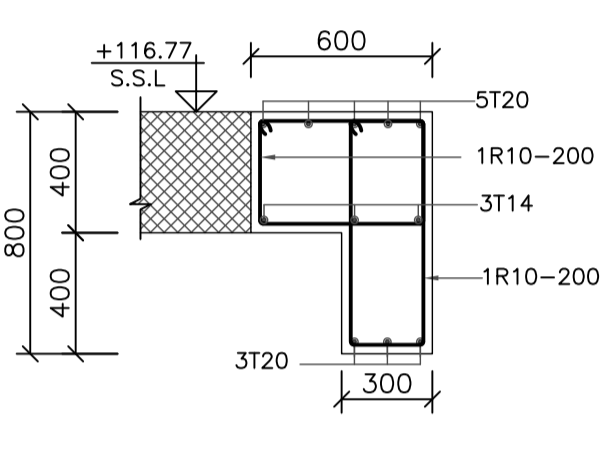
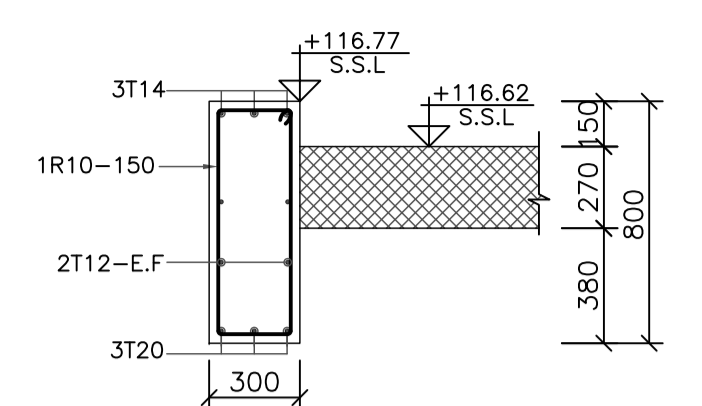
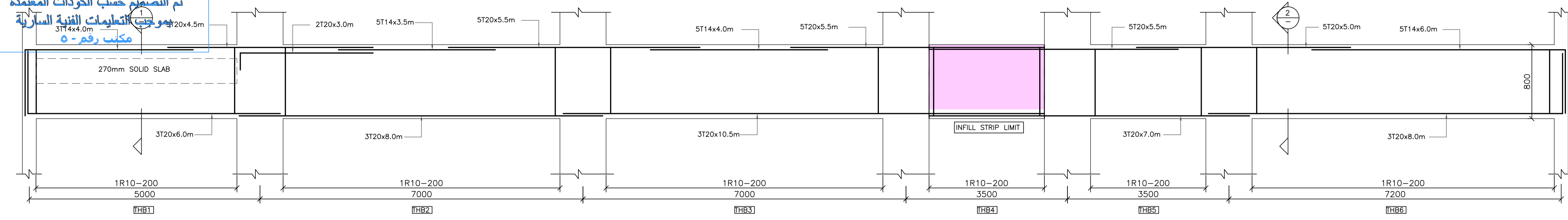
PHASE III  
PACKAGE 2  
Thahr Al Sarow Basic School For Boys (Jerash)  
SCHOOLS FOR A KNOWLEDGE ECONOMY PROJECT (USAID SKEP)

DRAWING NAME:  
SECOND FLOOR BEAMS DETAILS  
SHEET (3 OF 3)  
PLOT No: 435  
LOCATION: Thahr Al Sarow  
BASIN NO: 4 Dair Alliat

Design: K.S.  
Drawn: CAD  
Checked: R.K.  
SCALE: 1:50/1:25  
Date: JUNE 2019  
Approved: W.Z.  
DRAWING NUMBER: SKEP 14-SSB507  
Rev.: 0



تم التصميم حسب الكودات المعممة  
موجب التعليمات الفنية السارية  
مكتب رقم - 6



REV.	DATE	REMARKS
0	JUNE 2019	VOL. IV - TENDER DRAWINGS

NOTES:

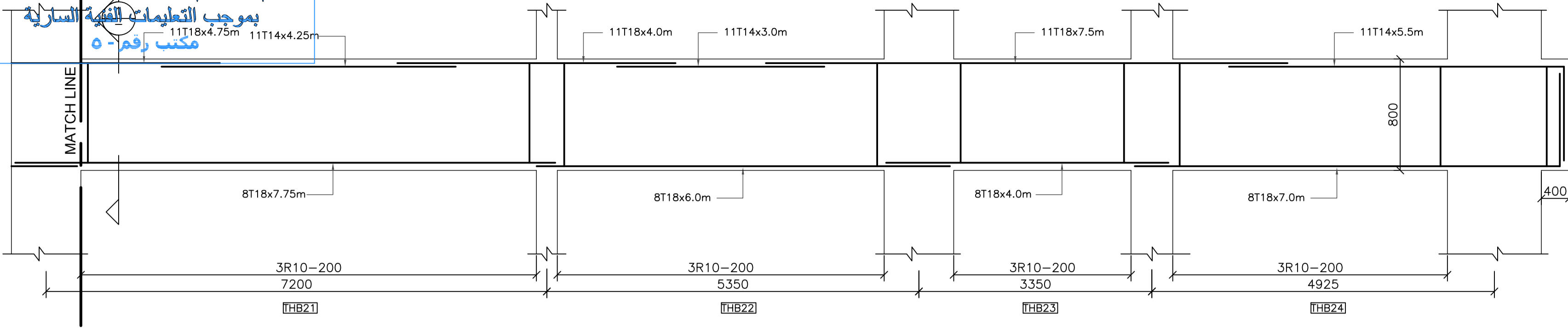


PHASE III  
PACKAGE 2  
Thahr Al Sarow Basic School For Boys (Jerash)  
SCHOOLS FOR A KNOWLEDGE ECONOMY PROJECT (USAID SKEP)

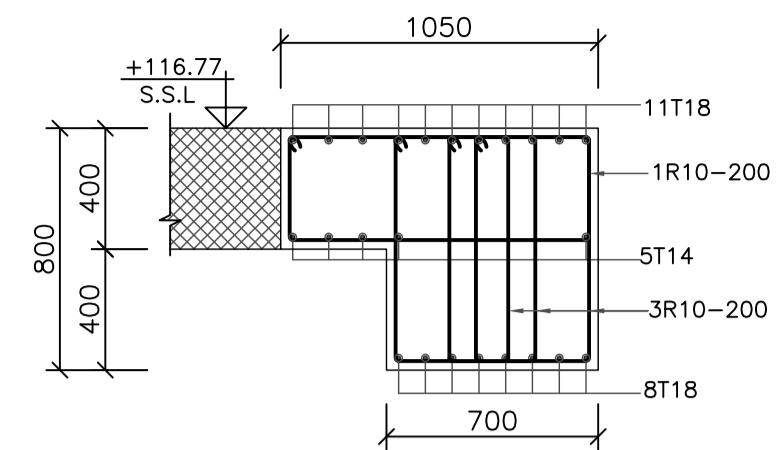
DRAWING NAME:  
THIRD FLOOR BEAMS DETAILS  
SHEET (1 OF 3)

Design:	K.S.	Drawn:	CAD	Checked:	R.K	North:	
SCALE:	1:50/1:25	Date:	JUNE 2019	Approved:	W.Z.		
PLOT No:	435	LOCATION:	Thahr Al Sarow	BASIN NO:	4 Dair Alliat	DRAWING NUMBER:	SKEP 14-SSB508
REV.							0

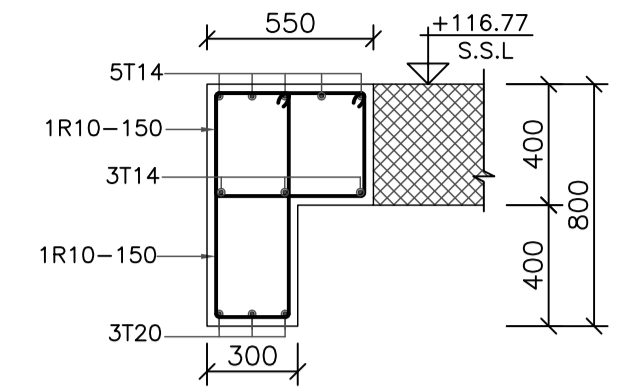
تم التصميم حسب الكودات المعممة بموجب التعليمات الفنية المنارية مكتب رقم ٥



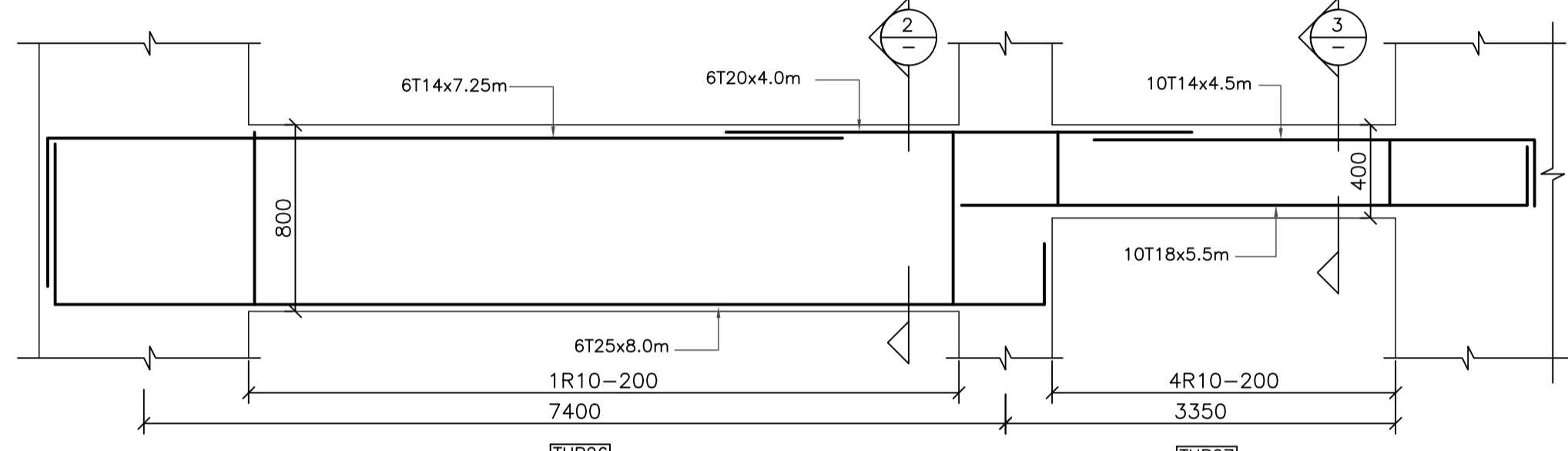
THB16/THB17/THB18/THB19/THB20/THB21/THB22/THB23/THB24  
1:50/1:25



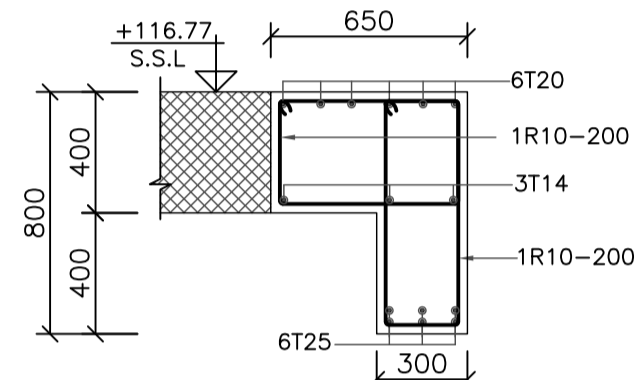
SECTION 1  
1:25



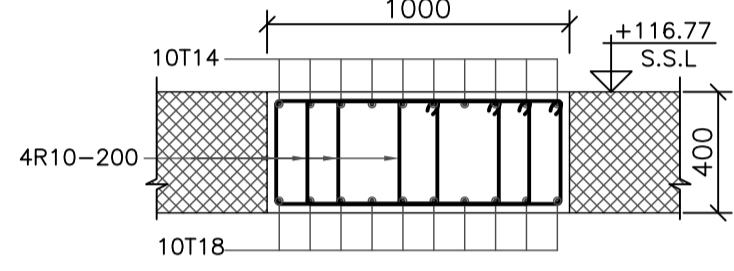
SECTION IN THB25  
1:25



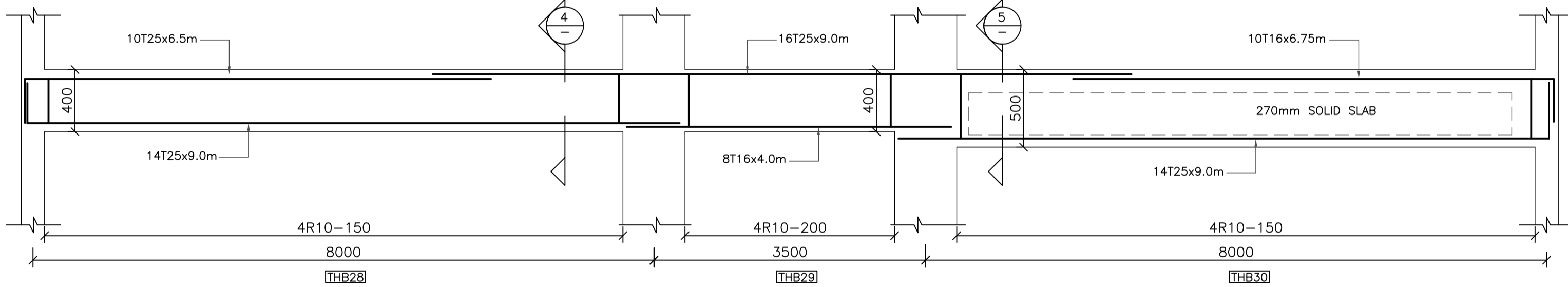
THB26/THB27  
1:50/1:25



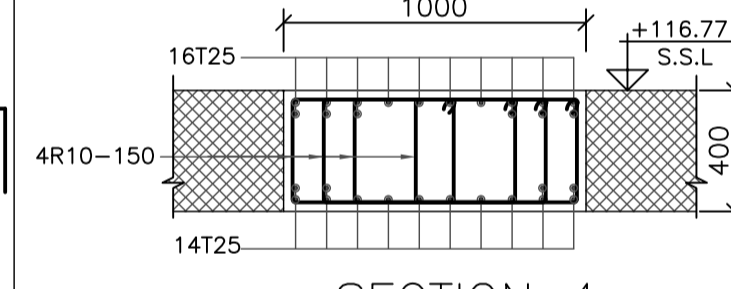
SECTION 2  
1:25



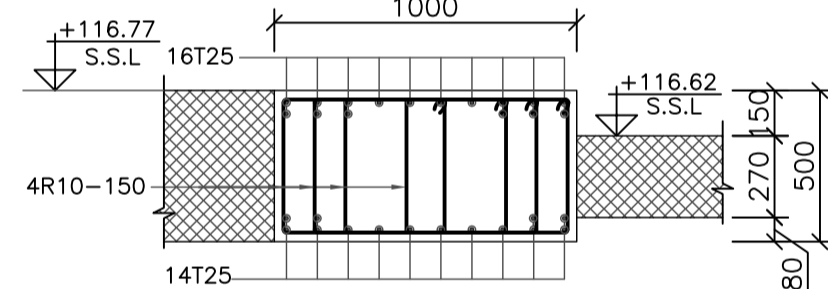
SECTION 3  
1:25



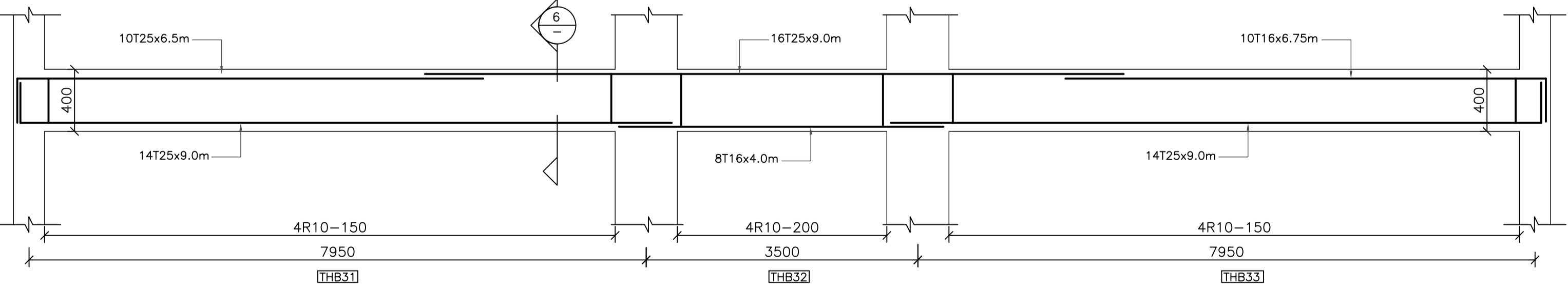
THB28/THB29/THB30  
1:50/1:25



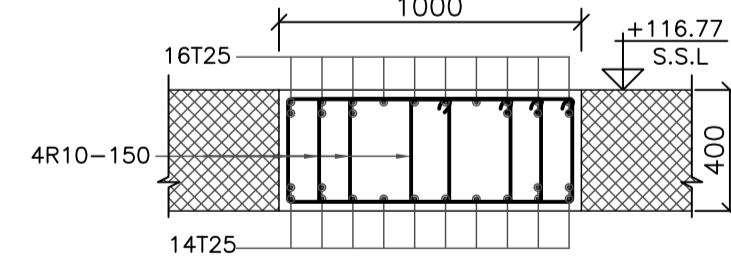
SECTION 4  
1:25



SECTION 5  
1:25



THB31/THB32/THB33  
1:50/1:25



SECTION 6  
1:25

REV.	DATE	REMARKS
0	JUNE 2019	VOL. IV - TENDER DRAWINGS

NOTES:

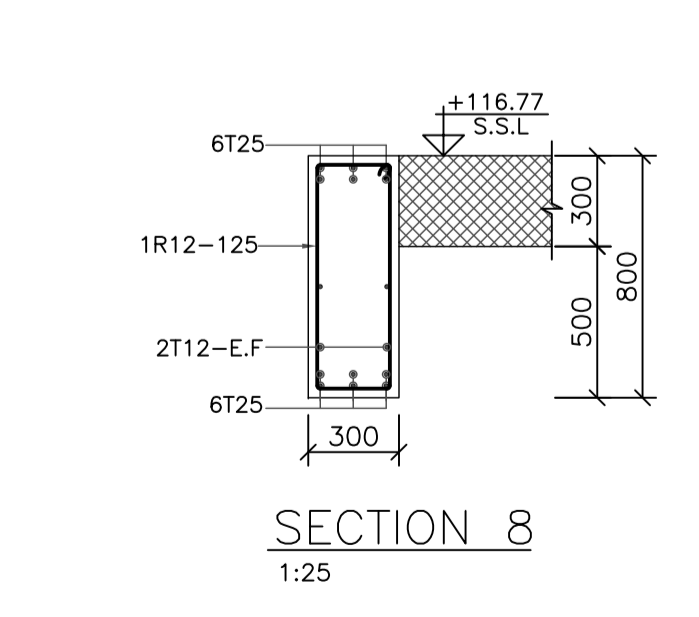
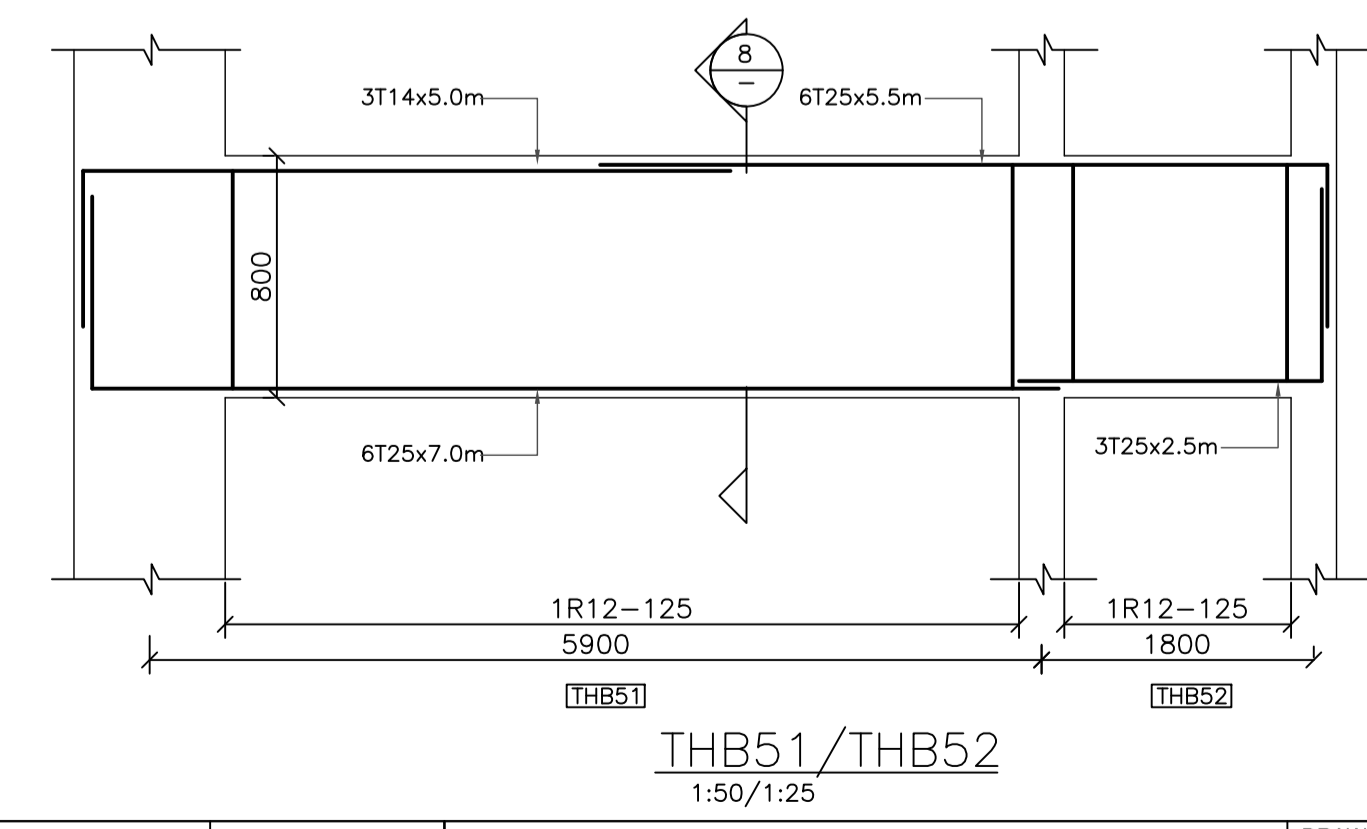
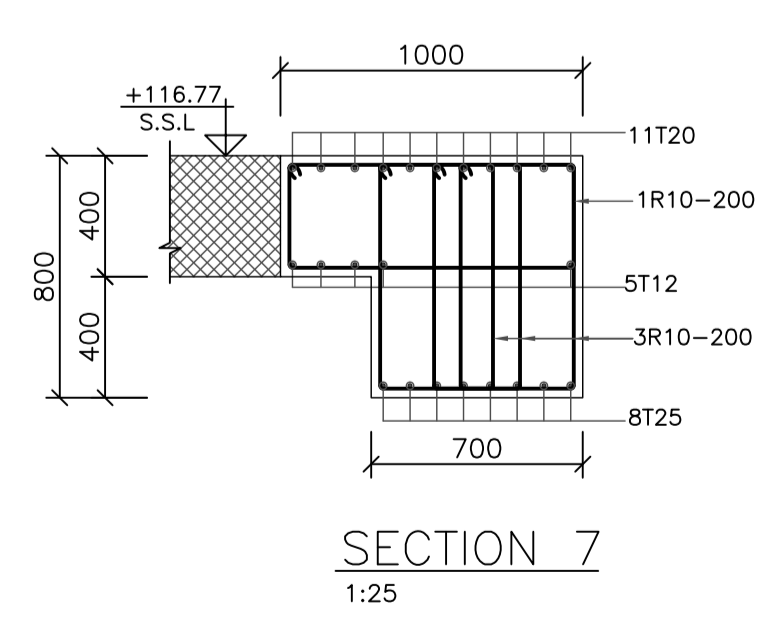
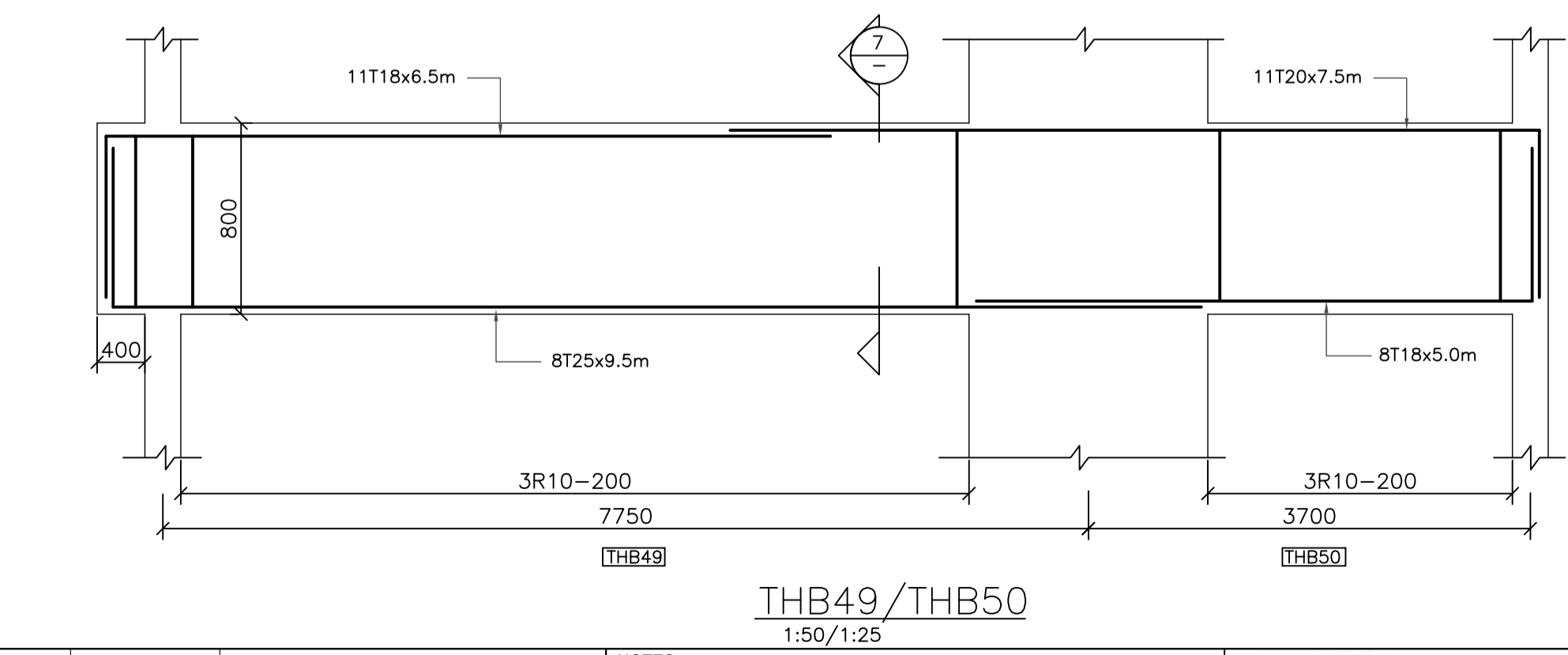
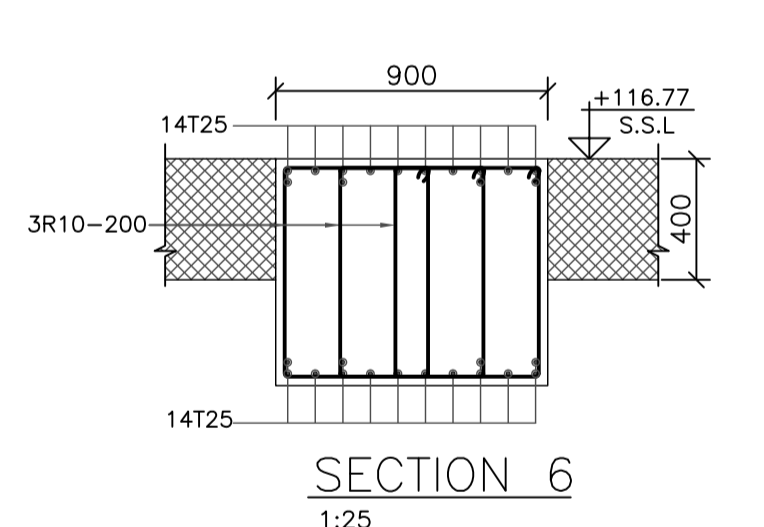
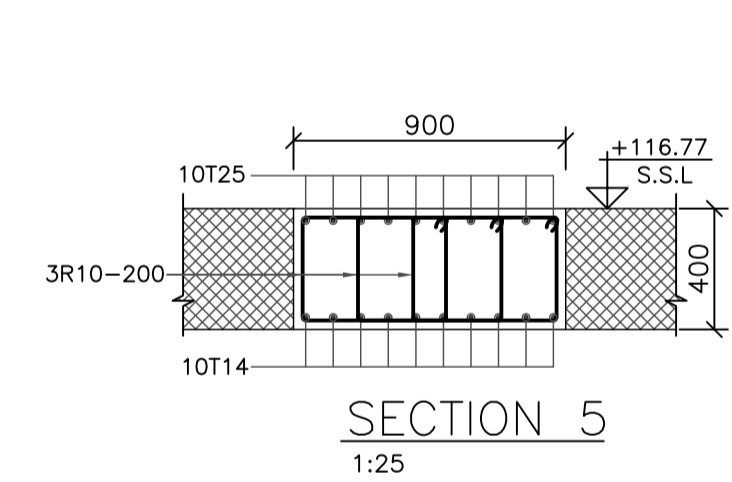
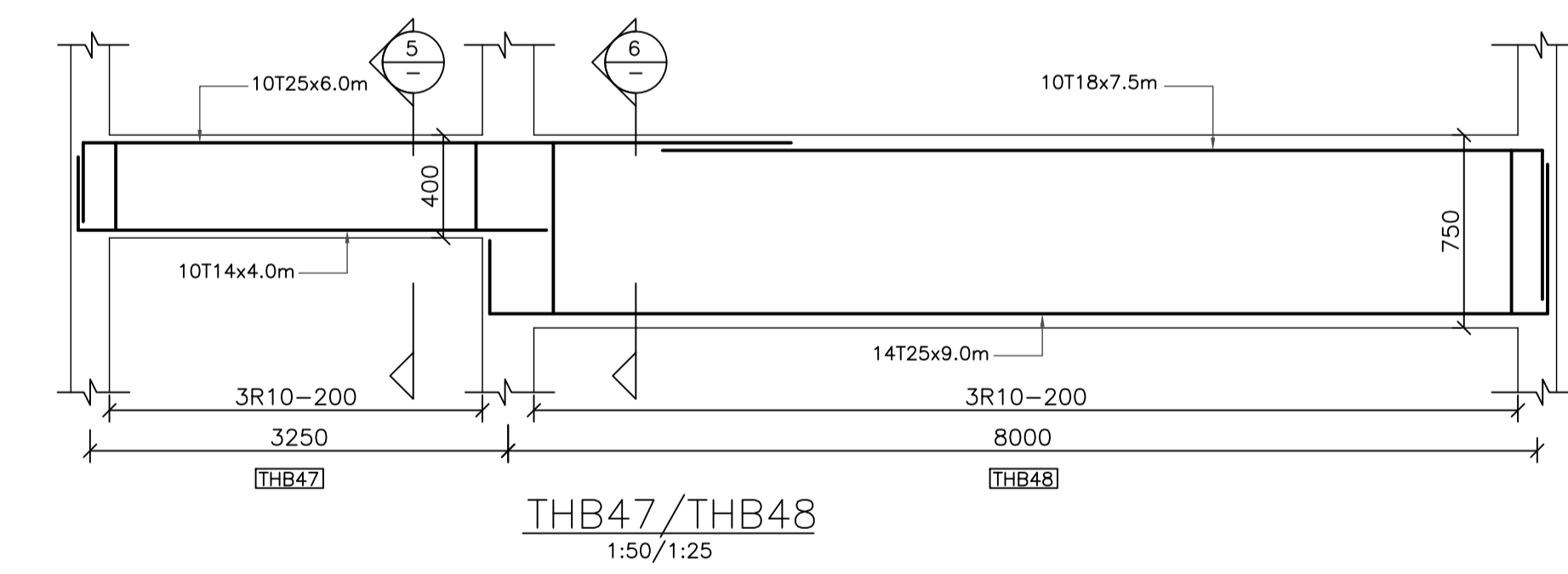
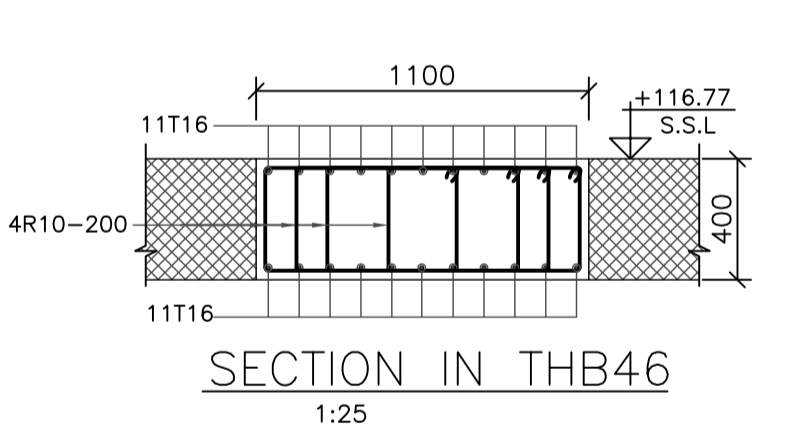
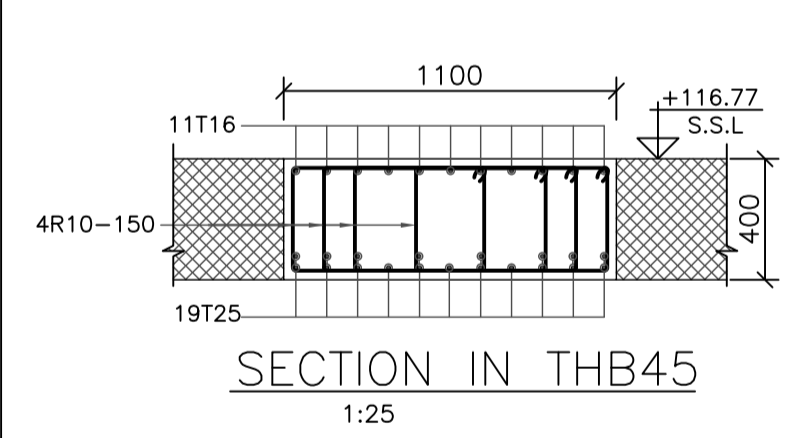
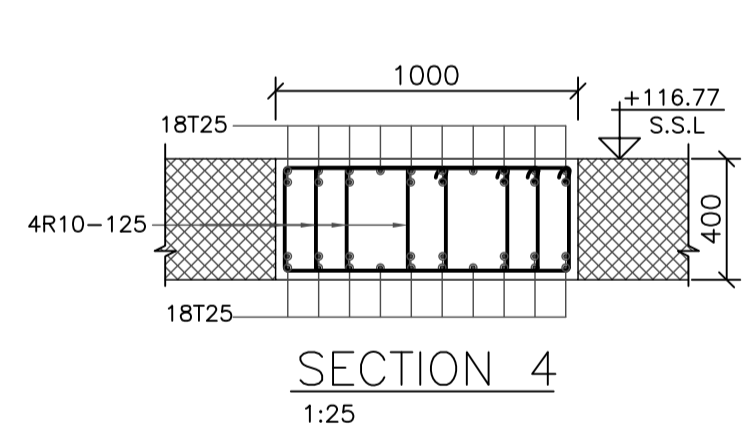
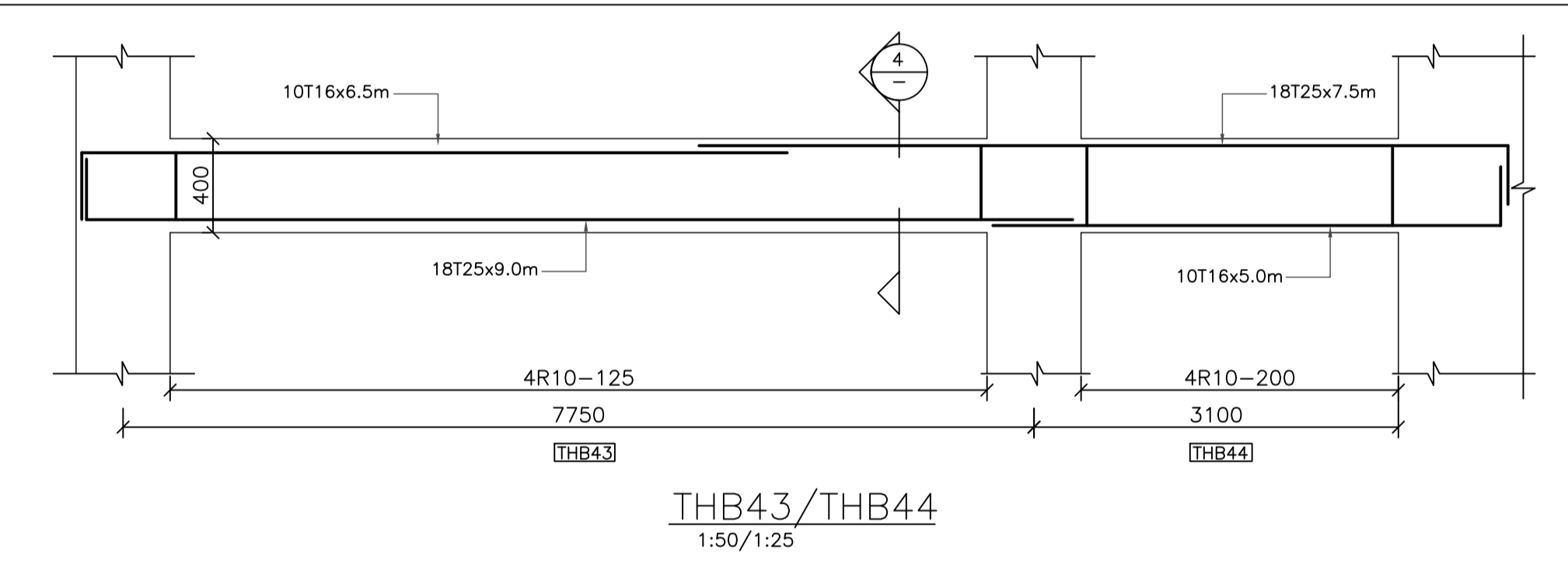
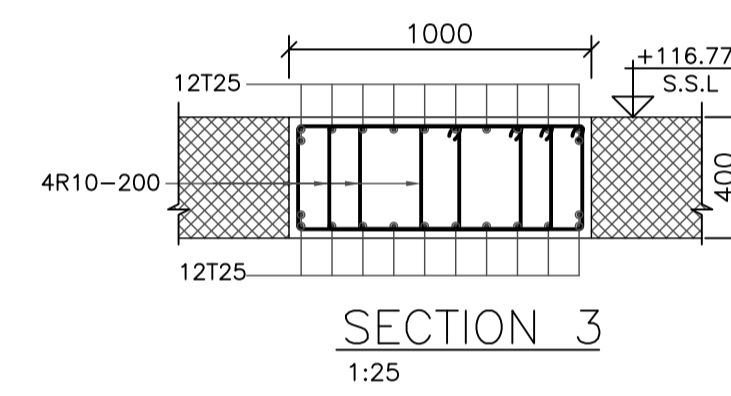
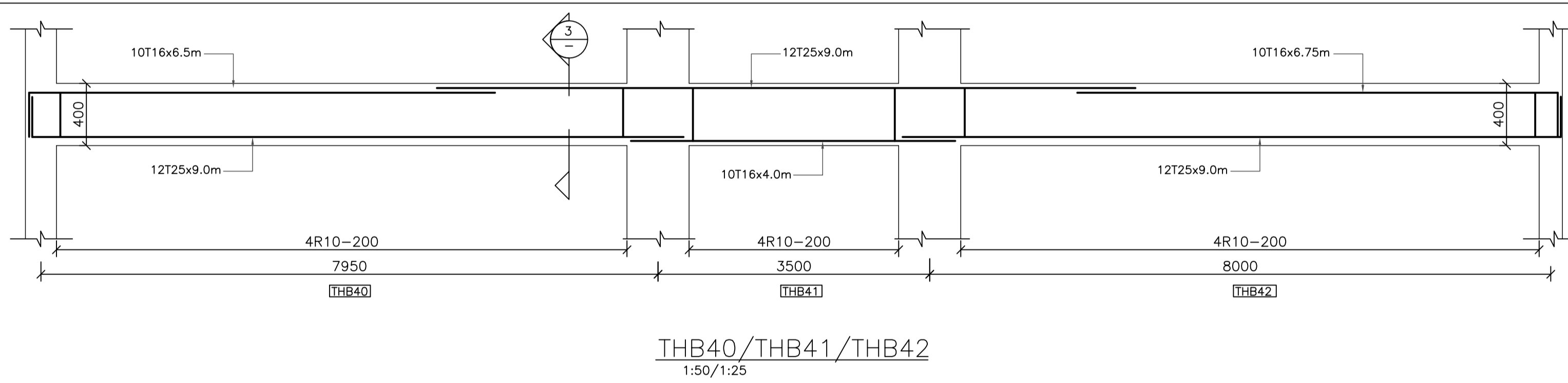
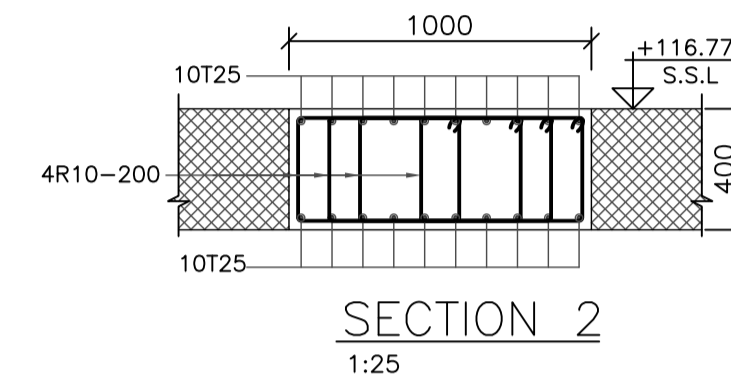
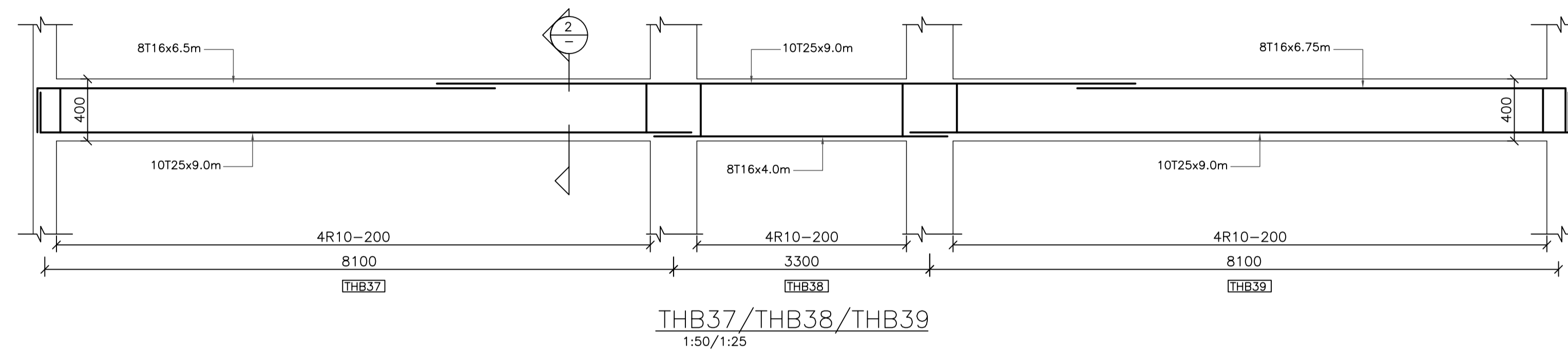
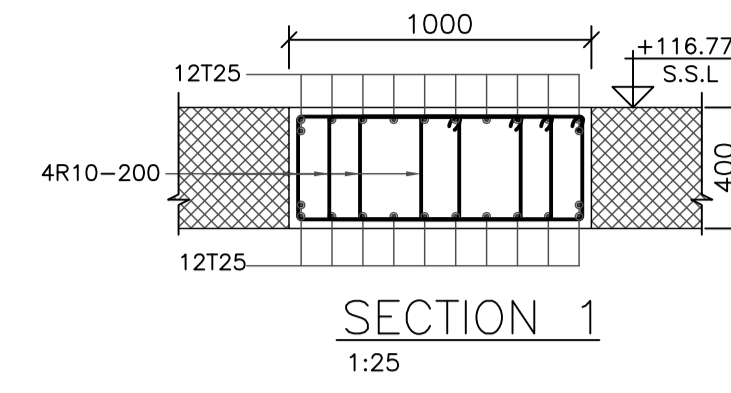
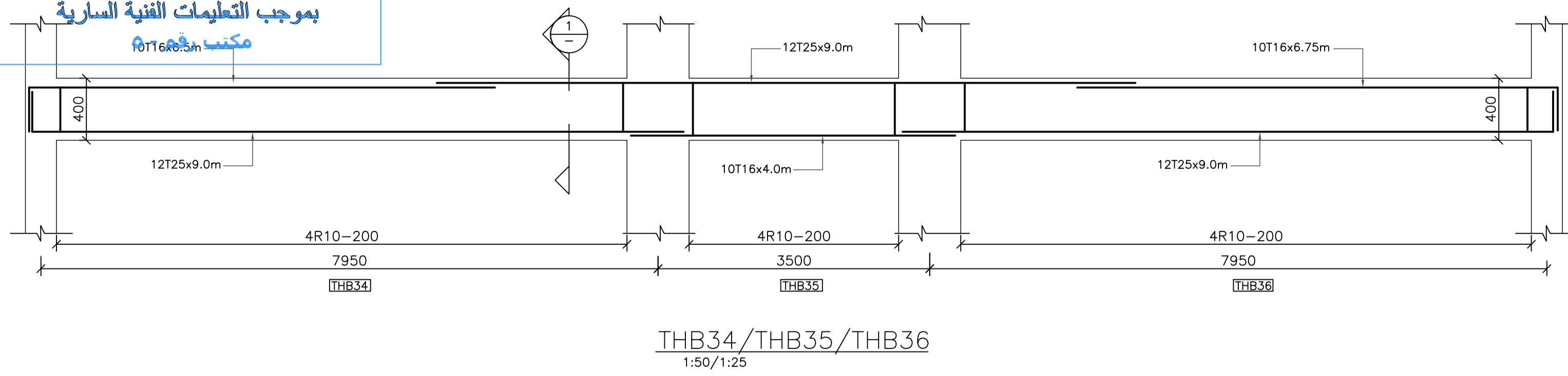


PHASE III  
PACKAGE 2  
Thahr Al Sarow Basic School For Boys (Jerash)  
SCHOOLS FOR A KNOWLEDGE ECONOMY PROJECT (USAID SKEP)

DRAWING NAME:  
THIRD FLOOR BEAMS DETAILS  
SHEET (2 OF 3)

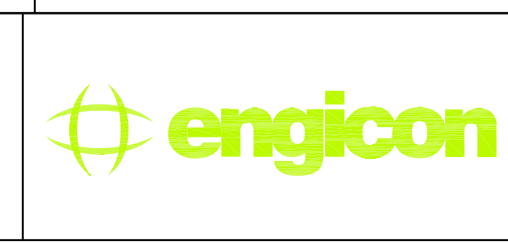
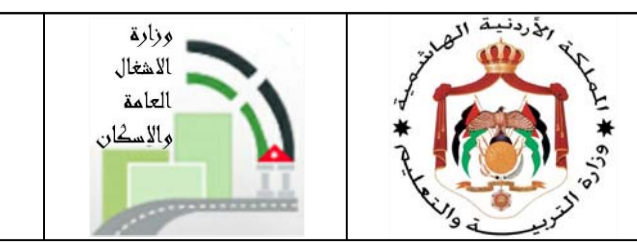
Design:	K.S.	Drawn:	CAD	Checked:	R.K	North:	
SCALE:	1:50/1:25	Date:	JUNE 2019	Approved:	W.Z.		
PLOT No:	435	LOCATION:	Thahr Al Sarow	BASIN NO:	4 Dair Alliat	DRAWING NUMBER:	SKEP 14-SSB509
REV.:							0

تم التصميم حسب الكودات المعممة بموجب التعليمات الفنية السارية  
مكتب 1016x6.5m



REV.	DATE	REMARKS
0	JUNE 2019	VOL. IV - TENDER DRAWINGS

NOTES:

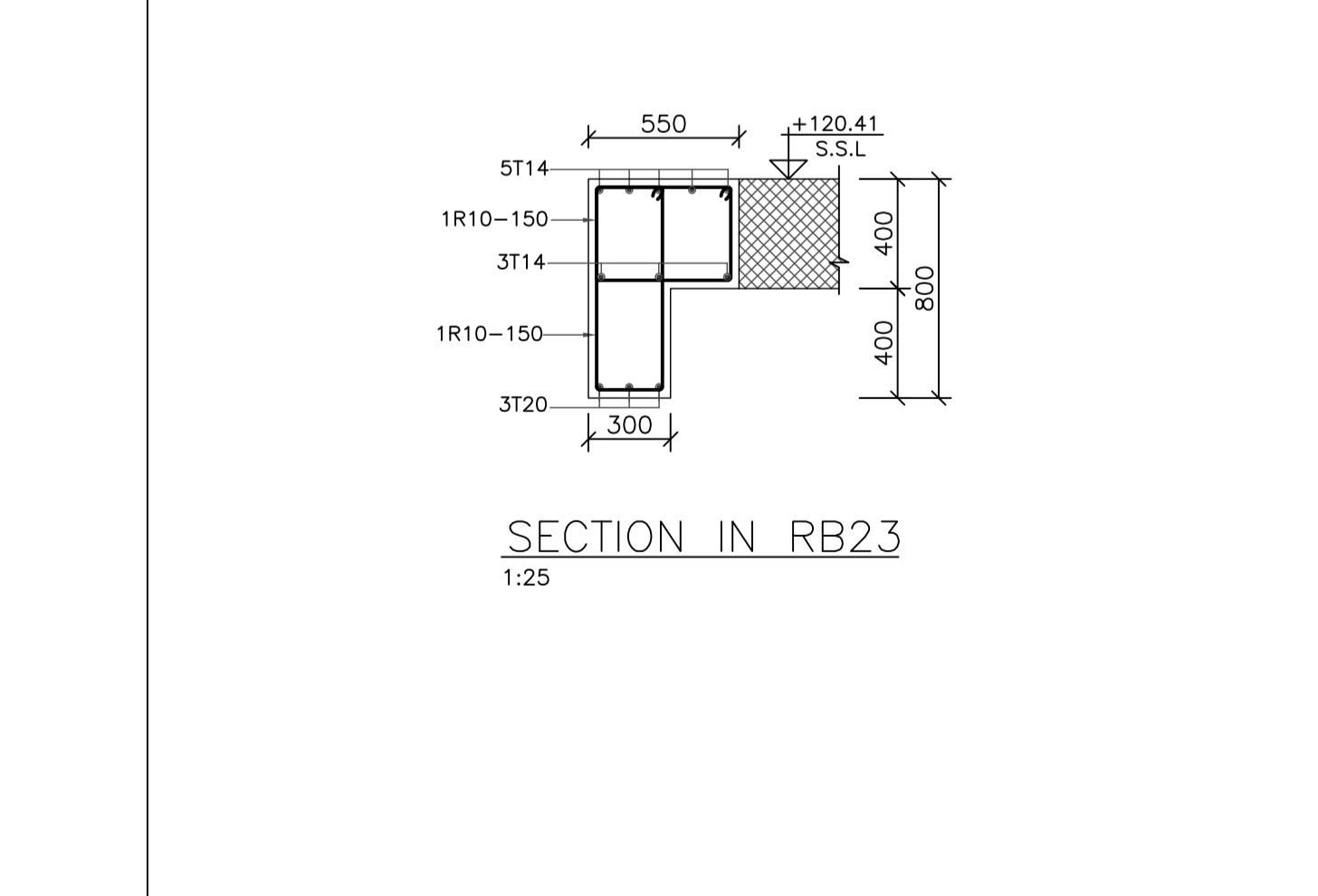
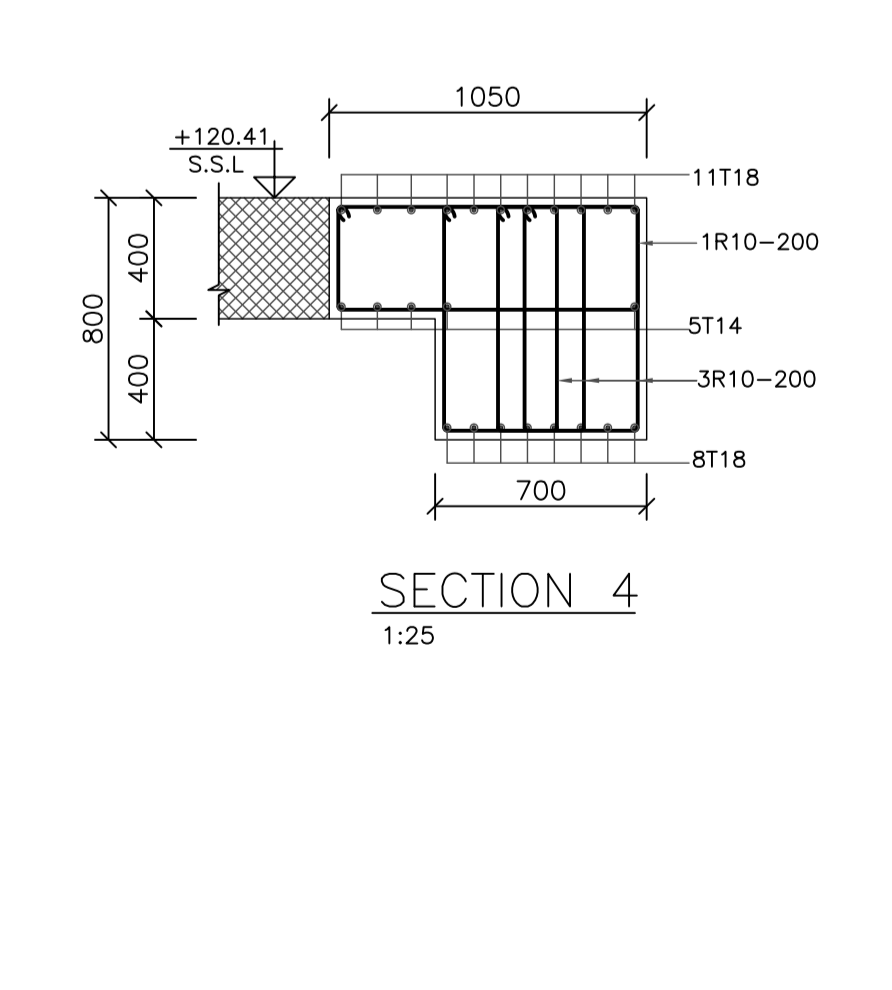
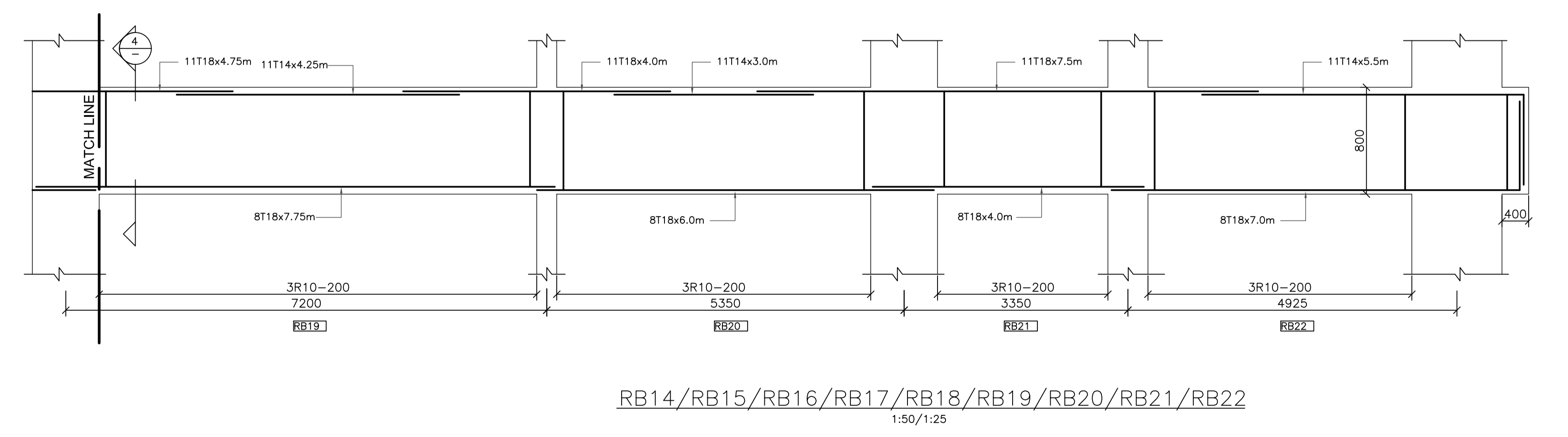
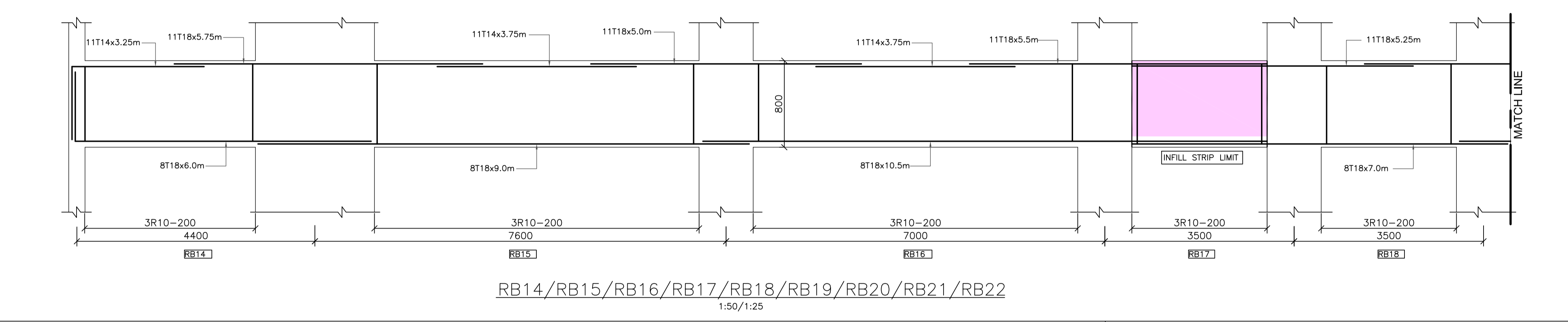
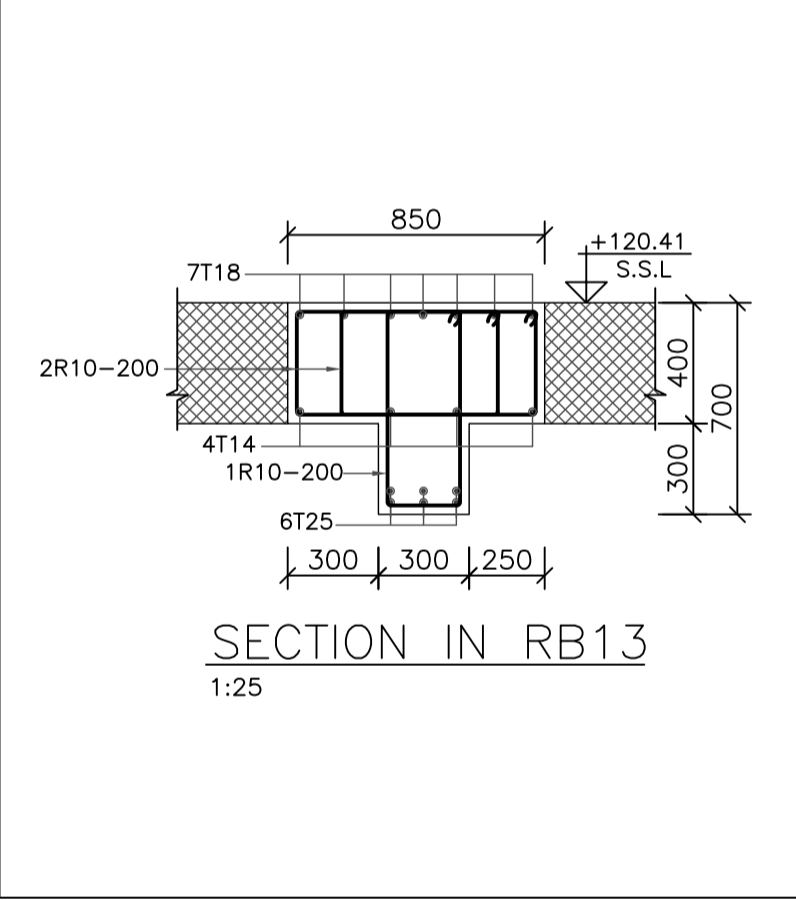
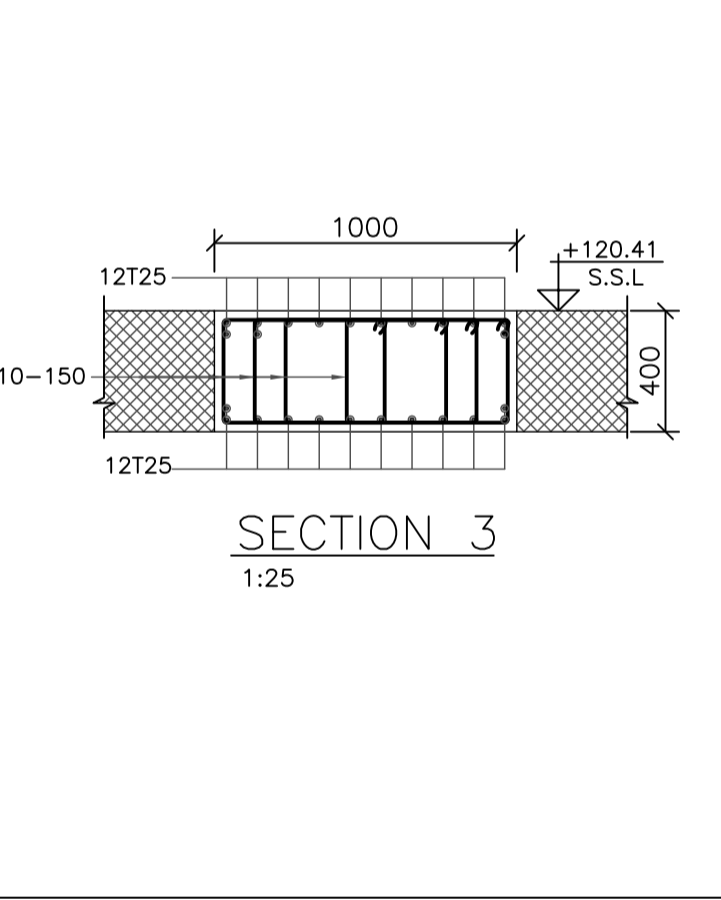
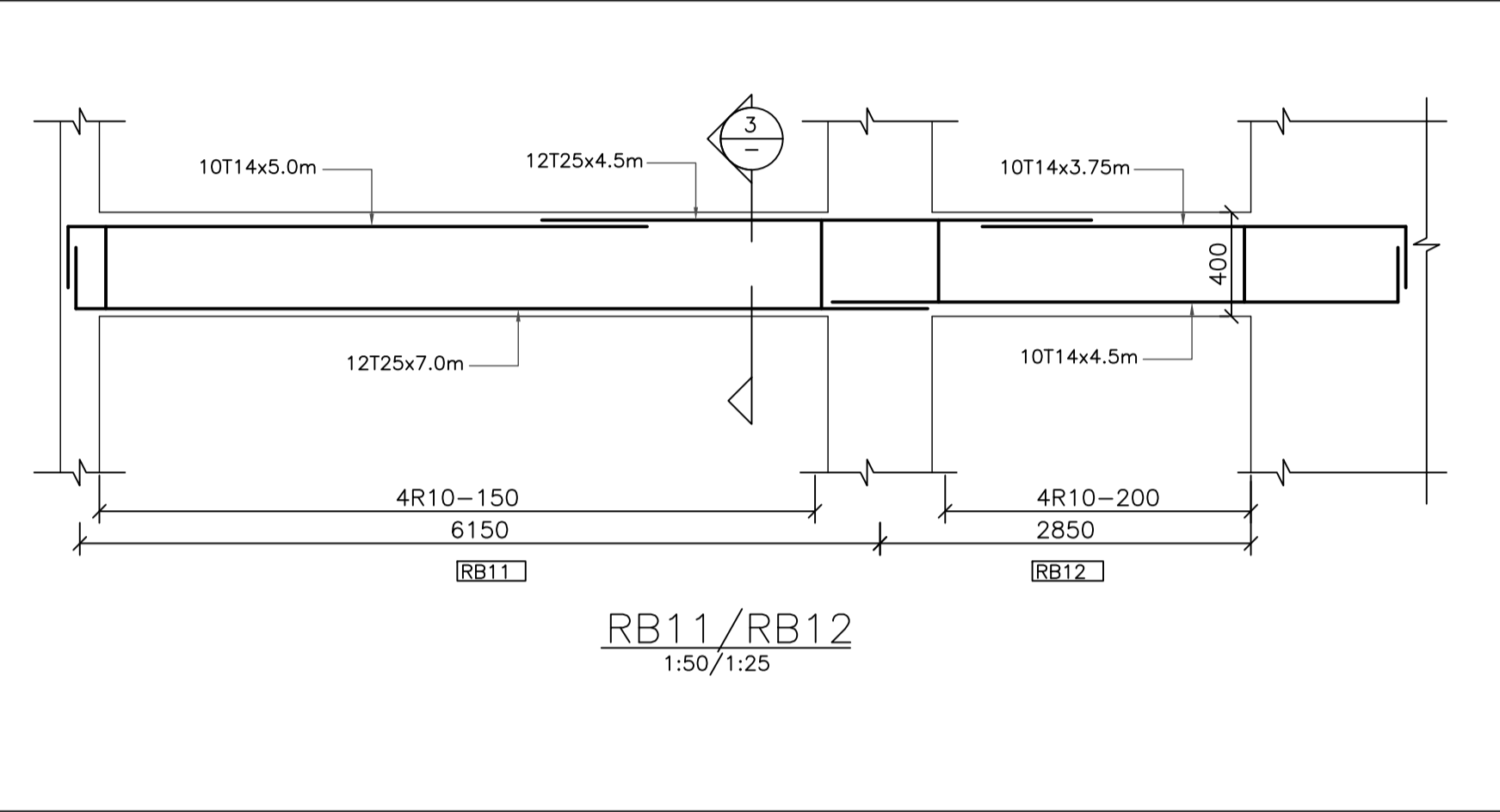
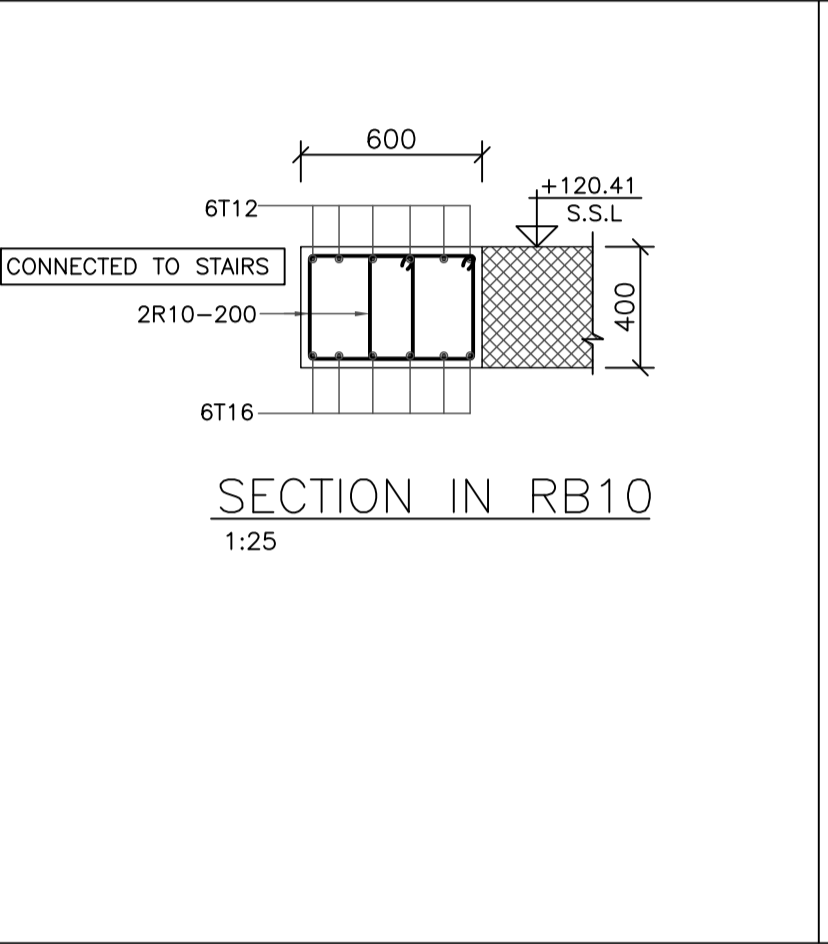
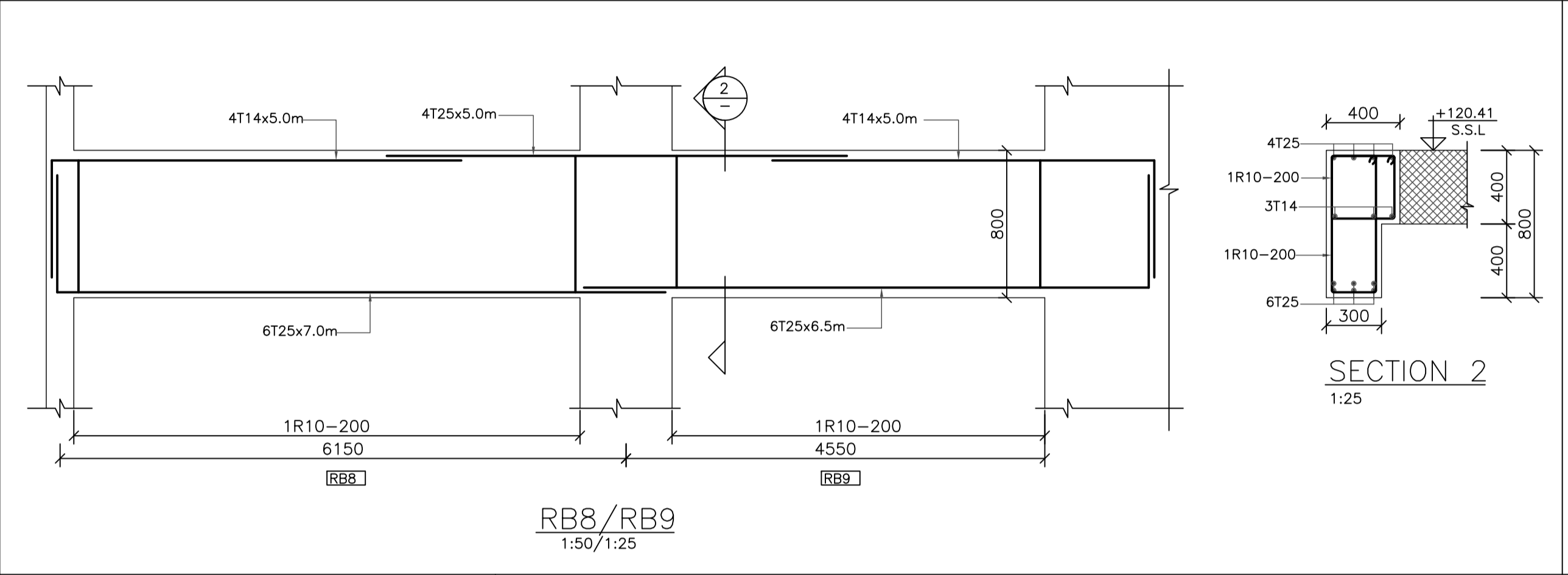
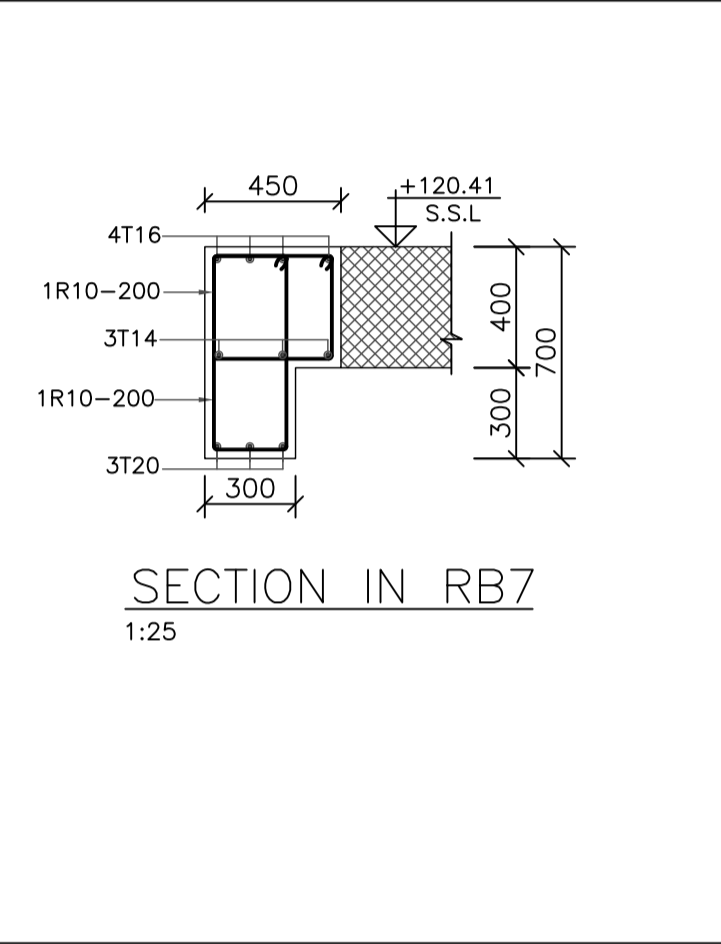
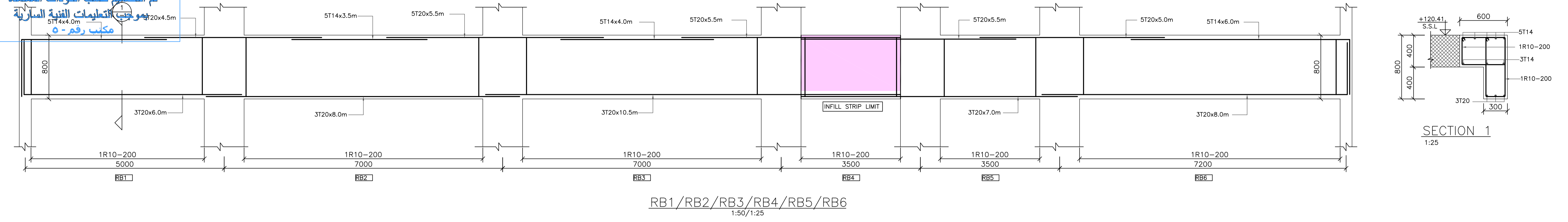


PHASE III  
PACKAGE 2  
Thahr Al Sarow Basic School For Boys (Jerash)  
SCHOOLS FOR A KNOWLEDGE ECONOMY PROJECT (USAID SKEP)

DRAWING NAME:  
THIRD FLOOR BEAMS DETAILS  
SHEET (3 OF 3)

Design: K.S.  
Drawn: CAD  
Checked: R.K.  
SCALE: 1:50/1:25  
Date: JUNE 2019  
Approved: W.Z.  
DRAWING NUMBER:  
SKEP 14-SSB510  
Rev.: 0

تم التصميم حسب الكودات المعممة  
موجب التعليمات الفنية السابقة  
مكتب رقم 9



REV.	DATE	REMARKS
0	JUNE 2019	VOL. IV - TENDER DRAWINGS

NOTES:



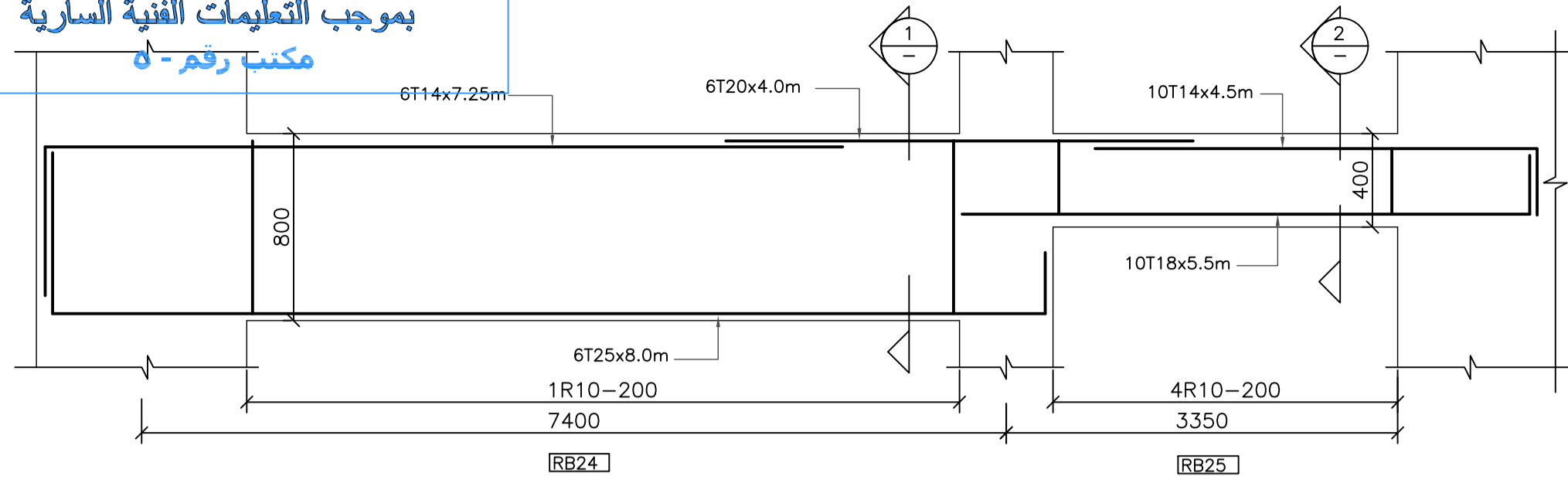
PHASE III  
PACKAGE 2  
Thahr Al Sarow Basic School For Boys (Jerash)  
SCHOOLS FOR A KNOWLEDGE ECONOMY PROJECT (USAID SKEP)

DRAWING NAME:  
ROOF FLOORS BEAMS DETAILS  
SHEET (1 OF 3)

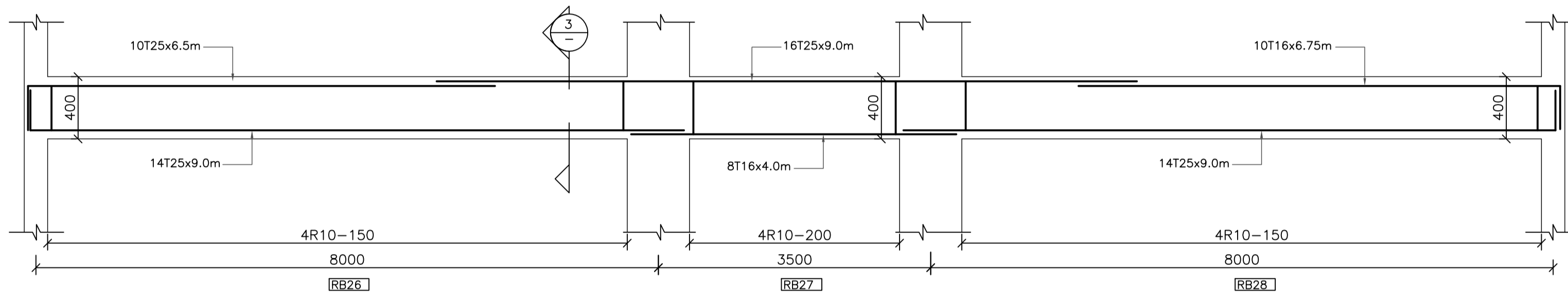
Design:	K.S.	Drawn:	CAD	Checked:	R.K	North:	
SCALE:	1:50/1:25	Date:	JUNE 2019	Approved:	W.Z.		
PLOT No:	435	LOCATION:	Thahr Al Sarow	BASIN NO:	4 Dair Alliat	DRAWING NUMBER:	SKEP 14-SSB511
REV.							0



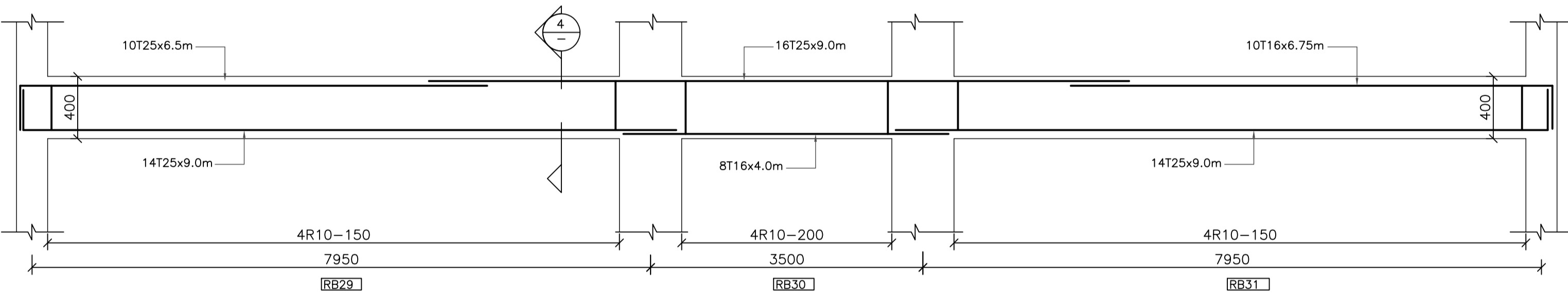
تم التصميم حسب الكودات المعممة بموجب التعليمات الفنية السارية  
مكتب رقم - ٤



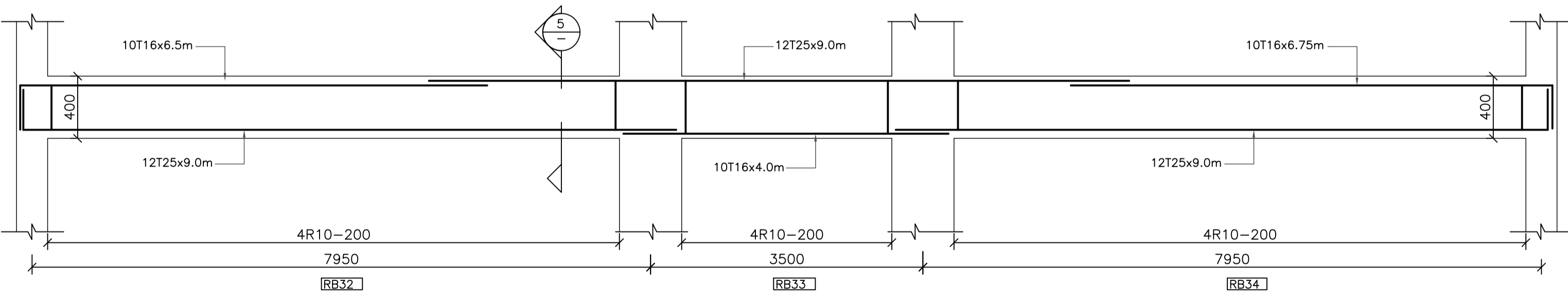
RB24/RB25  
1:50/1:25



RB26/RB27/RB28  
1:50/1:25



RB29/RB30/RB31  
1:50/1:25



RB32/RB33/RB34  
1:50/1:25

REV.	DATE	REMARKS
0	JUNE 2019	VOL. IV - TENDER DRAWINGS

NOTES:

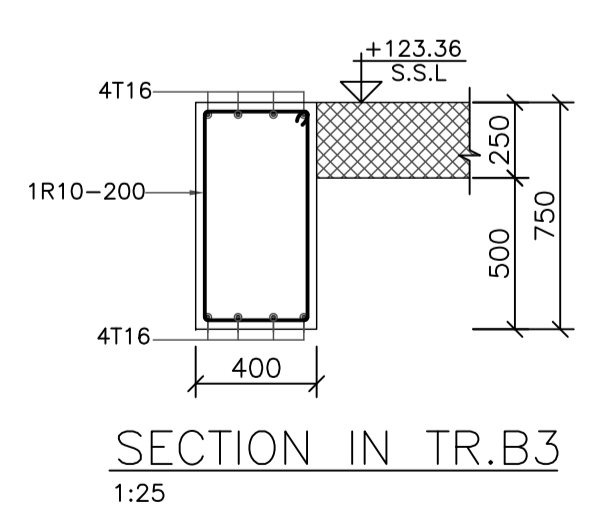
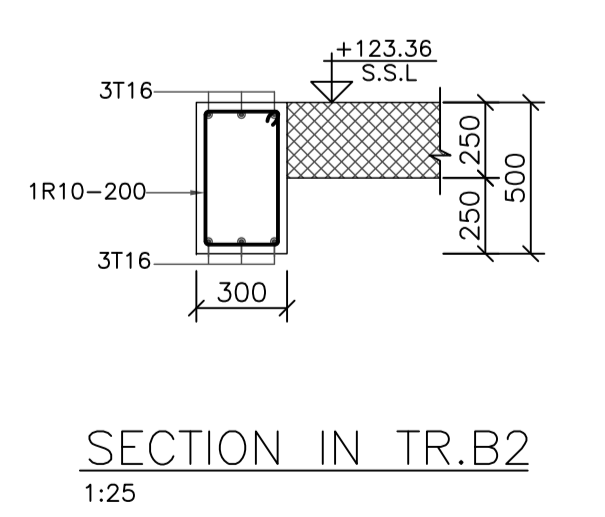
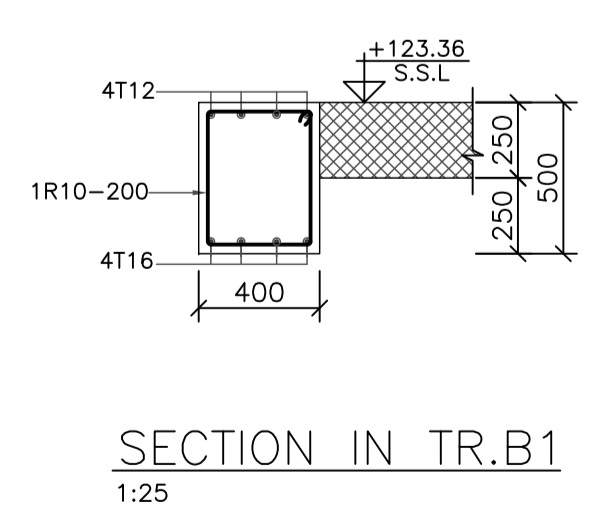
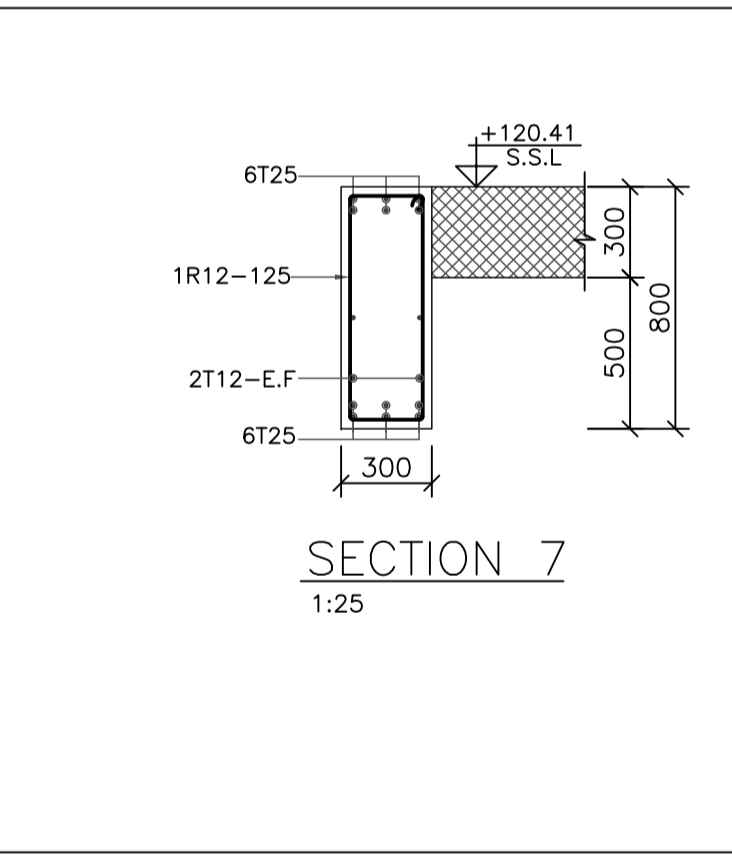
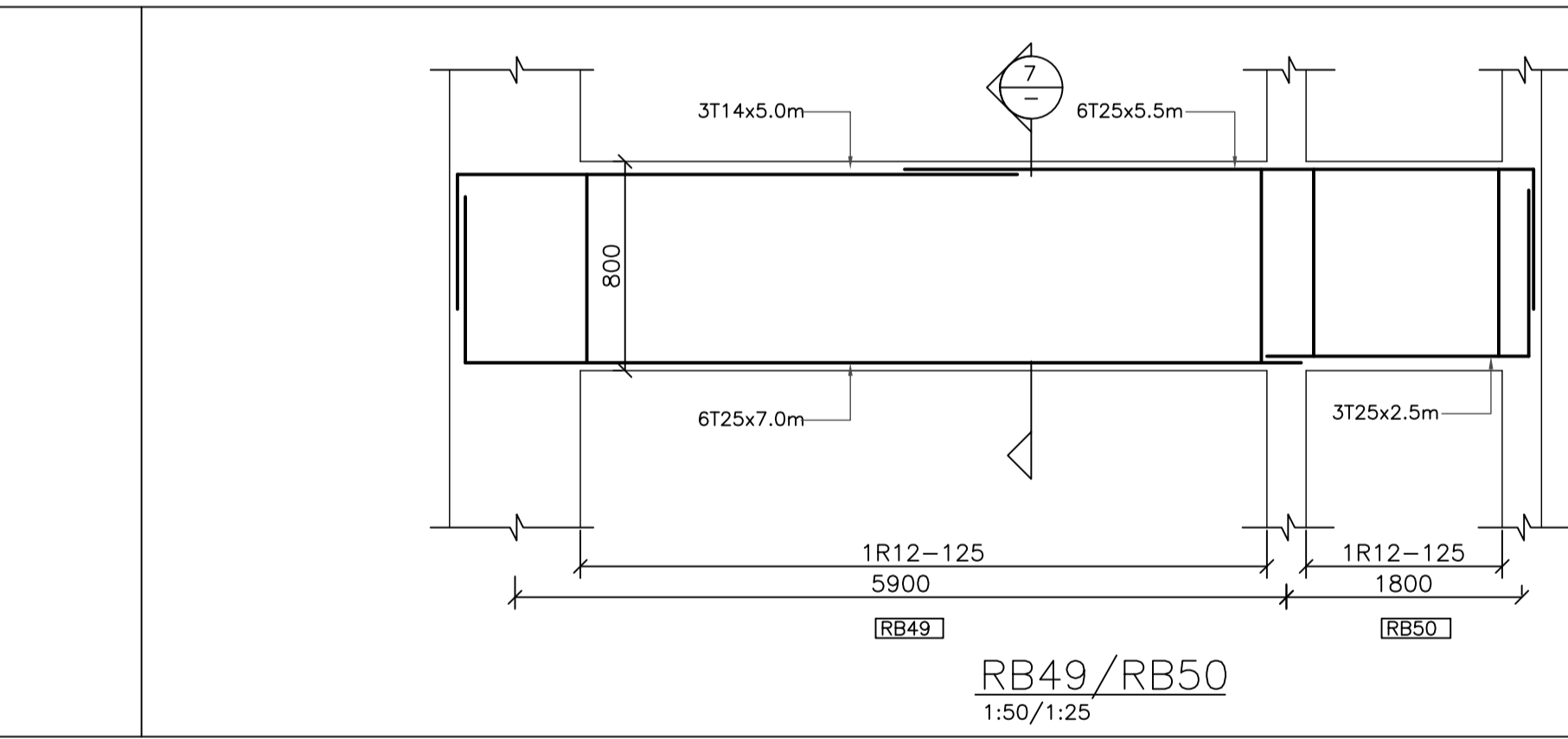
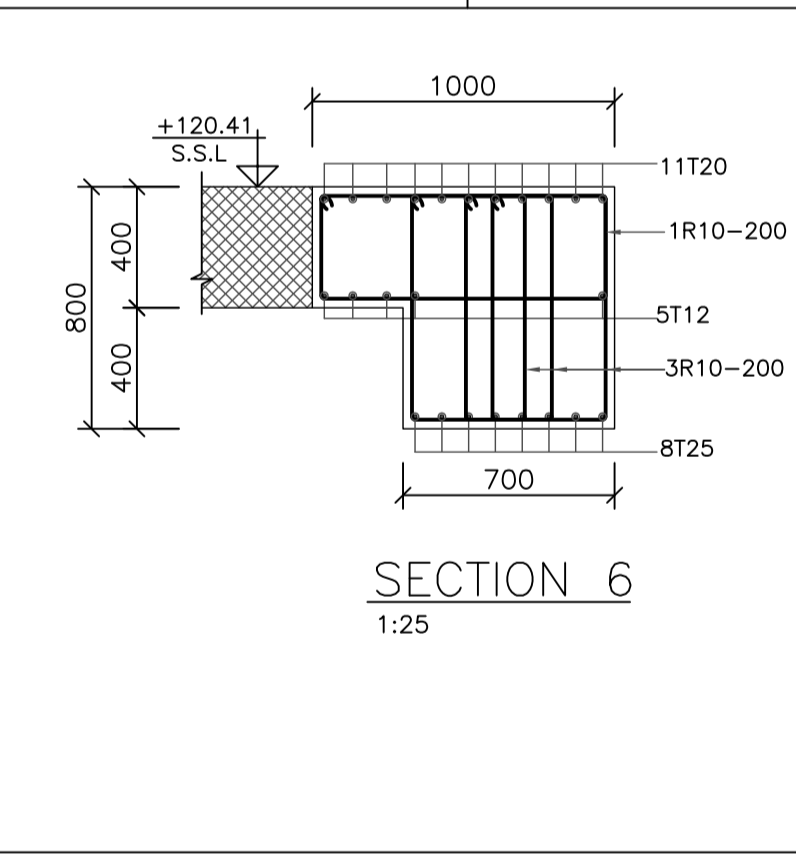
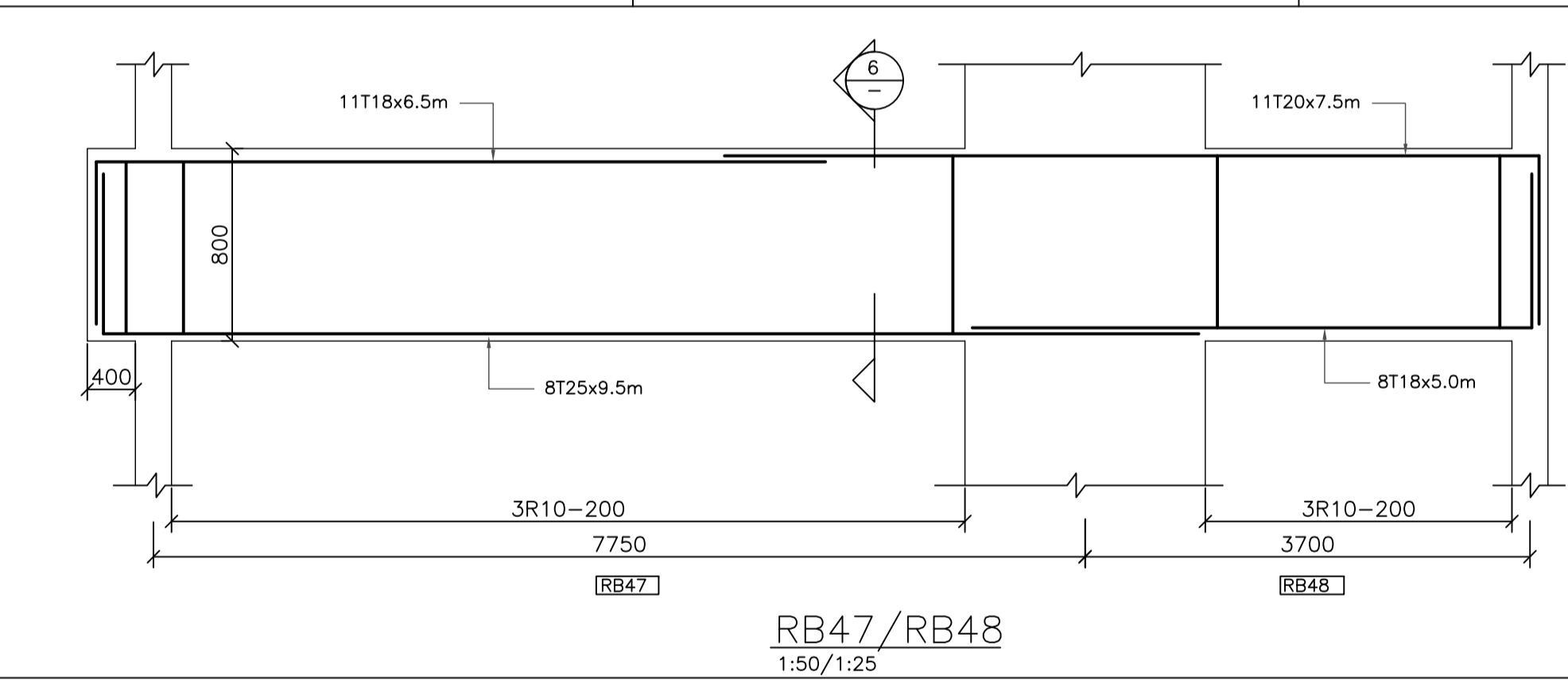
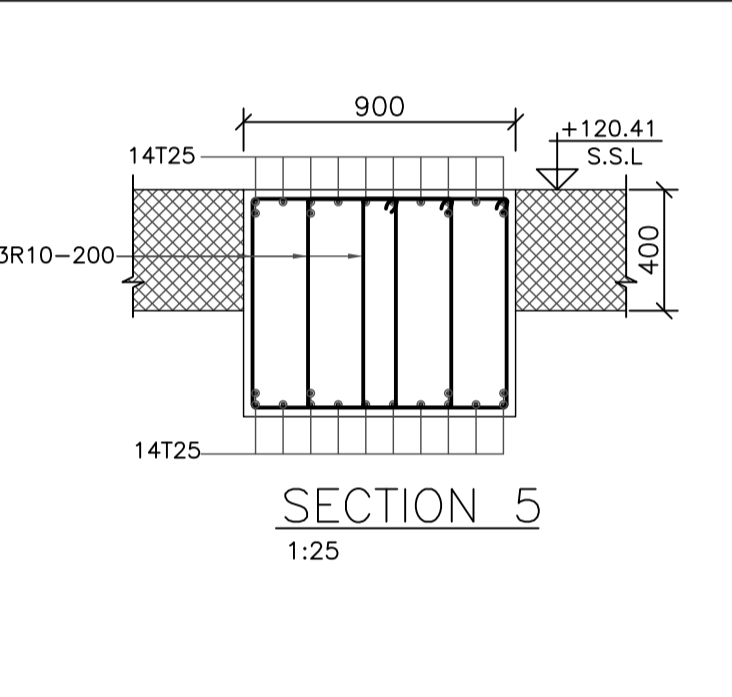
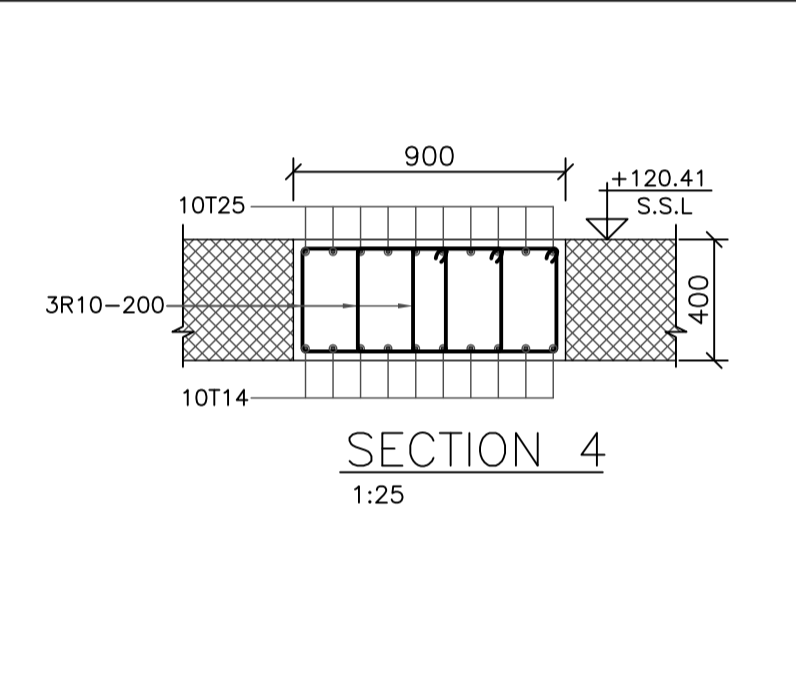
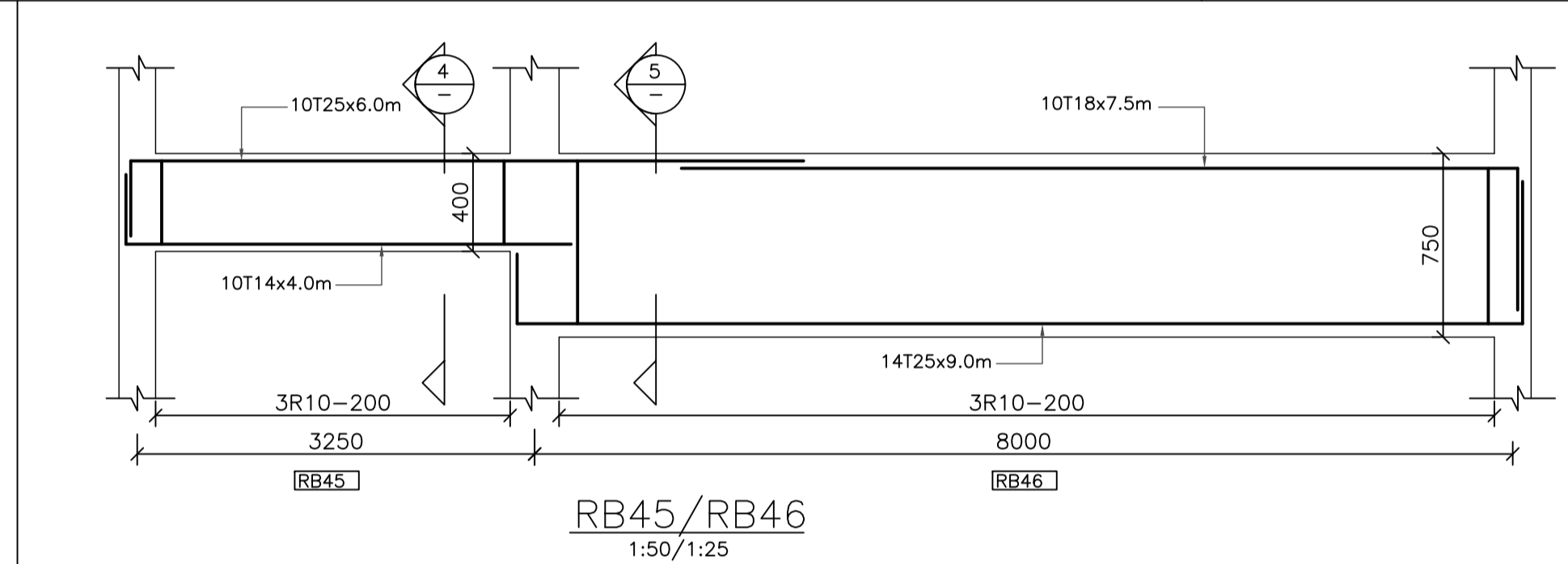
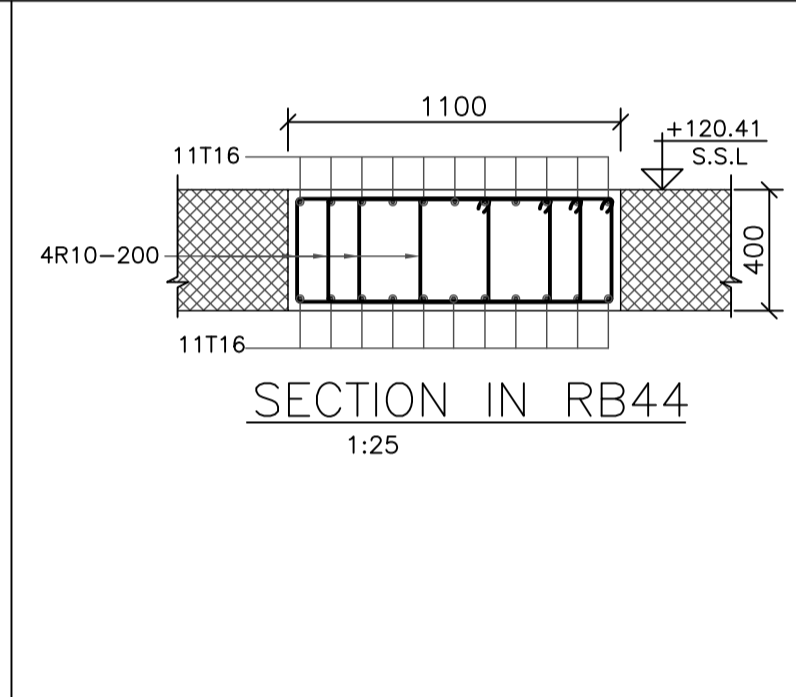
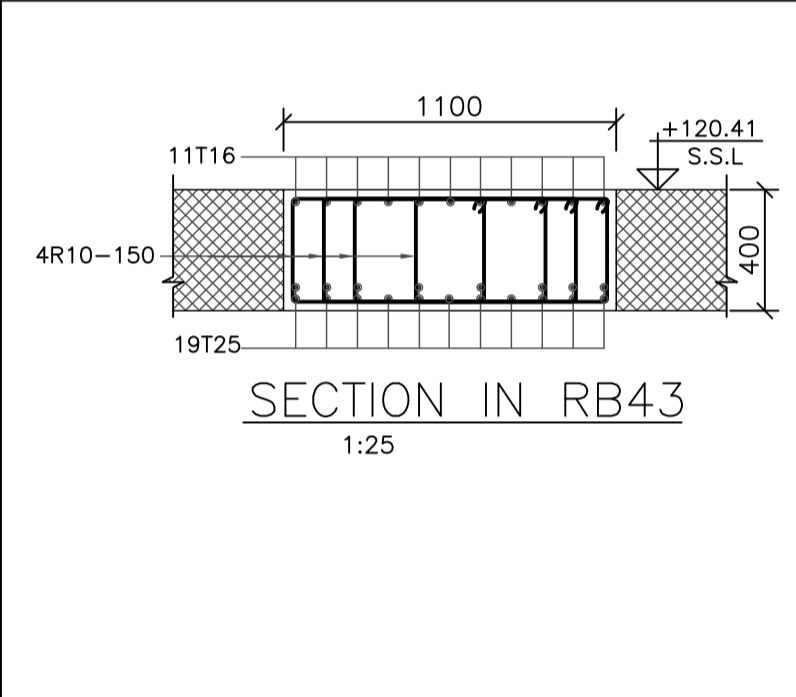
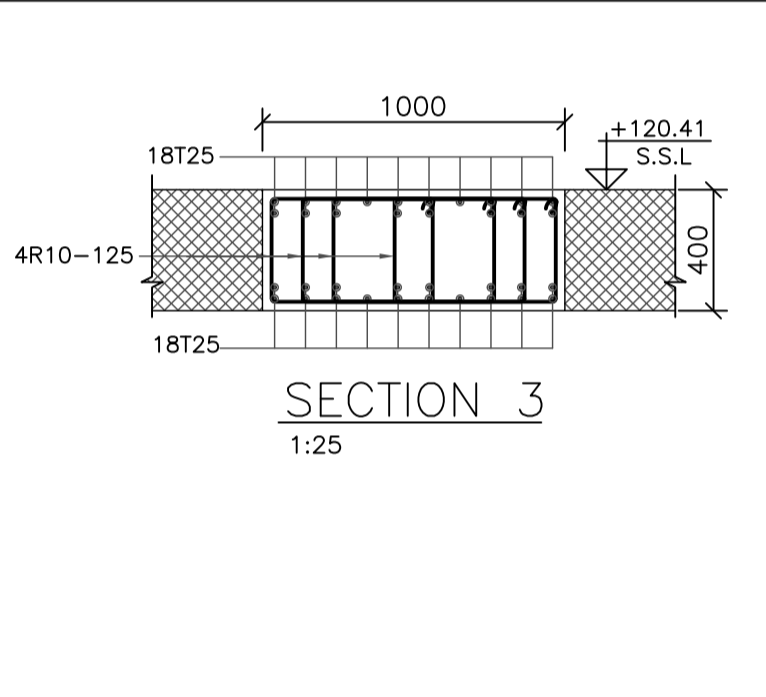
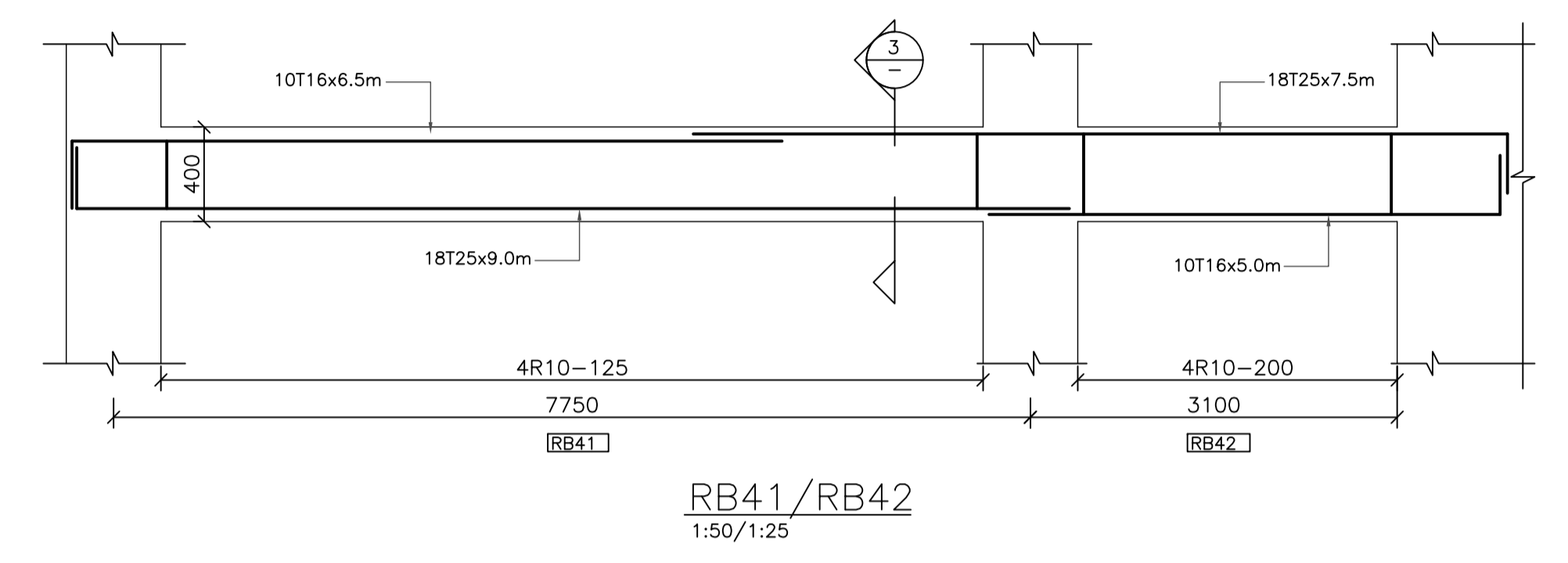
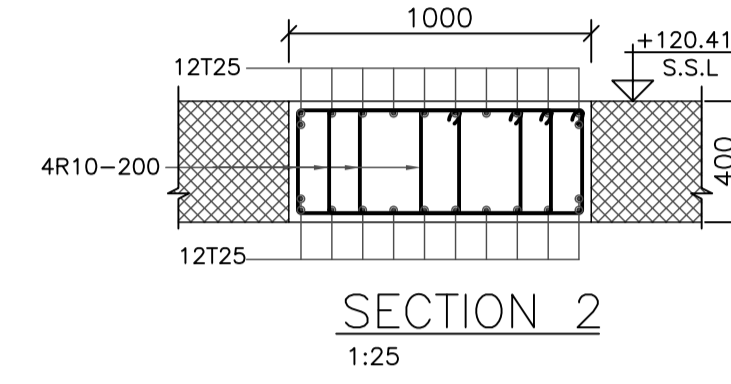
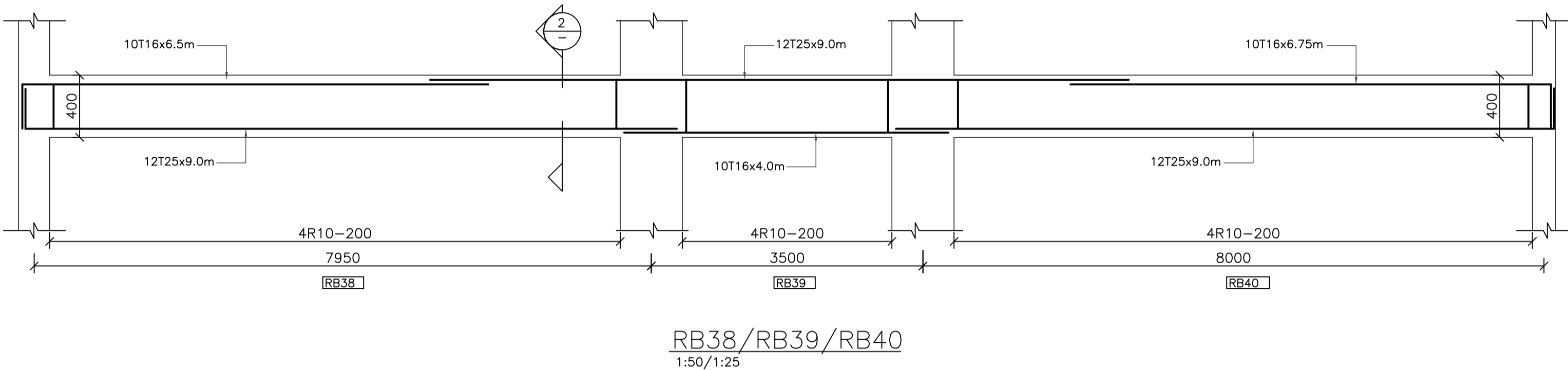
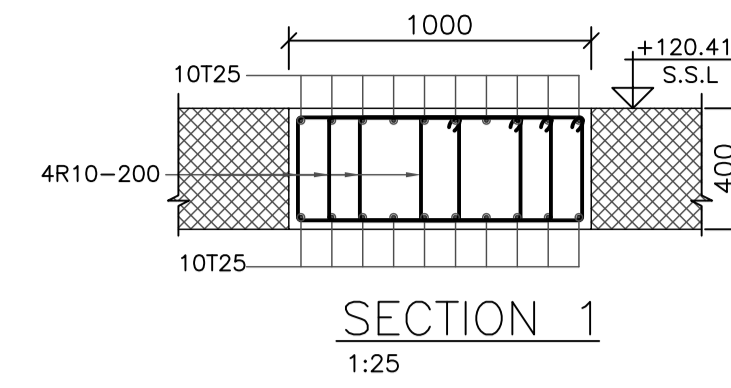
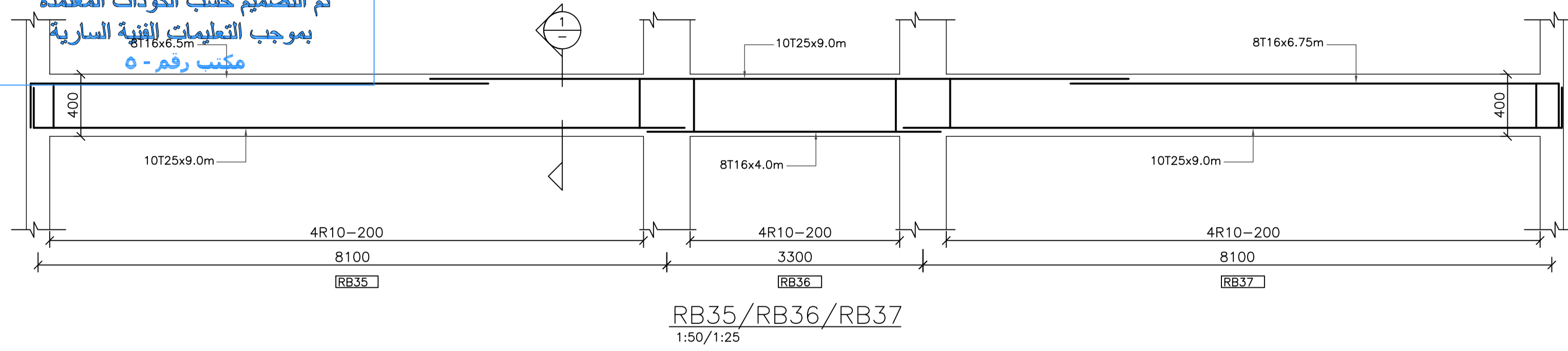


PHASE III  
PACKAGE 2  
Thahr Al Sarow Basic School For Boys (Jerash)  
SCHOOLS FOR A KNOWLEDGE ECONOMY PROJECT (USAID SKEP)

DRAWING NAME:  
ROOF FLOORS BEAMS DETAILS  
SHEET (2 OF 3)

Design:	K.S.	Drawn:	CAD	Checked:	R.K	North:	
SCALE:	1:50/1:25	Date:	JUNE 2019	Approved:	W.Z.		
PLOT No:	435	LOCATION:	Thahr Al Sarow	BASIN NO:	4 Dair Alliat	DRAWING NUMBER:	SKEP 14-SSB512
Rev.:	0						

تم التصميم حسب الكودات المعممة  
بموجب التعليمات الفنية السابقة  
مكتب رقم - 0



REV.	DATE	REMARKS
0	JUNE 2019	VOL. IV - TENDER DRAWINGS

NOTES:



PHASE III  
PACKAGE 2  
Thahr Al Sarow Basic School For Boys (Jerash)  
SCHOOLS FOR A KNOWLEDGE ECONOMY PROJECT (USAID SKEP)

DRAWING NAME:  
ROOF FLOORS BEAMS DETAILS  
SHEET (3 OF 3)

Design: K.S.  
Drawn: CAD  
Checked: R.K.  
SCALE: 1:50/1:25  
Date: JUNE 2019  
Approved: W.Z.  
DRAWING NUMBER:  
SKEP 14-SSB513  
Rev.: 0