

Code of Practice

Design, detailing and workmanship shall be according to the Jordanian Code for Plain and Reinforced Concrete JBC5-93 ACI

Dimensions

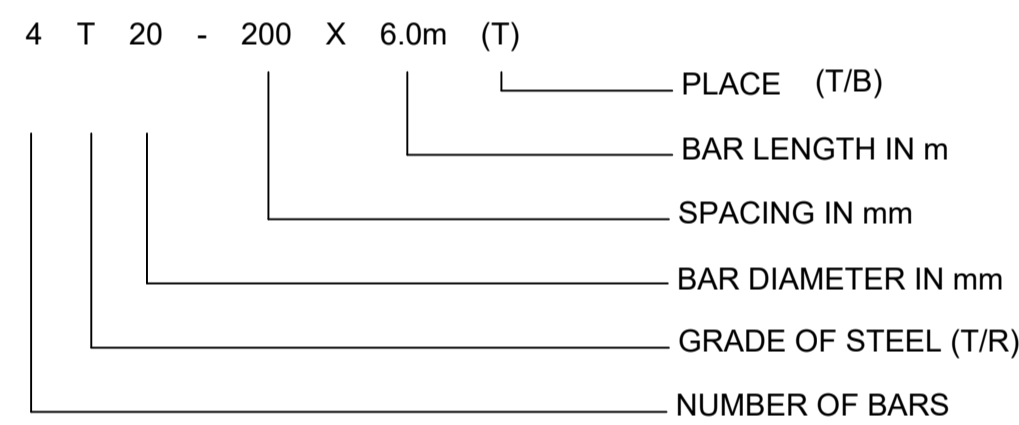
Dimensions are as shown

Drawings

- Structural drawings shall be read in conjunction with Architectural, Mechanical and Electrical drawings.
- Sleeves and openings smaller than 200x200 mm are not shown on the Structural drawings. For required openings refer to Architectural, Mechanical and Electrical drawings.
- Contractor shall prepare working drawings and bar bending schedules for reinforcement in a format agreed with the engineer.
- Drawings are not necessarily to scale.
- Chamfers for fair faced concrete are not shown on Structural Drawings. Reference should be made to Architectural details for such purpose.

Notation

T	TOP BARS
B	BOTTOM BARS
BOF	BOTTOM LEVEL OF FOOTING
T.O.F	TOP LEVEL OF FOOTING
EF	EACH FACE
EW	EACH WAY
S	STIRRUPS
T	HIGH YIELD BARS
R	MILD STEEL BARS
S.S	SOLID SLAB
S.O.G	SLAB ON GRADE
S.S.L	TOP LEVEL OF STRUCTURAL SLAB
EXP. J.	EXPANSION JOINT
C1	COLUMN NUMBER 1
B1	BEAM NUMBER 1
F1	FOOTING NUMBER 1
NTS	NOT TO SCALE
TYP	TYPICAL
T&B	TOP AND BOTTOM



Earthquake Resistance

Earthquake Resistance Design is in accordance with Jordanian seismic code Zone 2B. Lateral Stability is provided by Shear Walls and Shear Cores. Importance factor I=1 and soil Profile is as given in soil report.

DEAD LOADS AND MATERIAL OWN WEIGHTS:

REINFORCED CONCRETE	24 kN /m ³
STRUCTURAL STEEL	78.5 kN /m ³
CONCRETE BLOCK	16.5 kN /m ³
SATURATED SOIL	20 kN /m ³
CERAMIC TILE	0.80 kN /m ²

LIVE LOADS

According to Jordanian Code of Loads and Forces, 2006. Live loads for educational building.

Future Expansion

Structural Design has been made for one additional story.

Future Expansion

Structural Design has been made for a total of 4 stories .

Reinforced Concrete

Compressive strength of concrete, F_{cu}, as defined by a standard 150mm cube at 28 days shall be:

- 30 MPa : for slabs, beams & foundations, retaining walls, and site structures
- 35 MPa: or columns, shearwalls & water tank.
- 20 MPa: for slabs on grade & Cyclopean concrete & Mass concrete.
- 15 MPa: for blinding.

Cement content shall be determined by design mix to approved: by the consultant and shall not be less than:

- 15 MPa : 220kg/m³
- 20 MPa : 275kg/m³
- 30 MPa : 300kg/m³
- 35 MPa : 325kg/m³

Water-Cement ratio shall be not more than:

- 15 MPa : 1.0
- 20 MPa : 0.75
- 30 MPa : 0.60
- 35 MPa : .55

Cement:

Ordinary portland cement shall be used for reinforced and unreinforced concrete elements.

Cover

Clear concrete cover to reinforcement shall be:

- 70 mm for concrete in contact with soil or blinding.
- 50 mm for concrete surface in contact with water.
- 40 mm for external basement walls.
- 40 mm for concrete columns and beams.
- 25 mm for concrete slabs, stairs and walls.

Foundations

The footings are designed on bearing Capacity equal to 200 kPa; in accordance with Geotechnical Investigation Report No. S17000149 Prepared by the Arab Center For Engineering Studies (20, November, 2017) The Contractor shall ensure that the foundation layer possesses this allowable capacity.

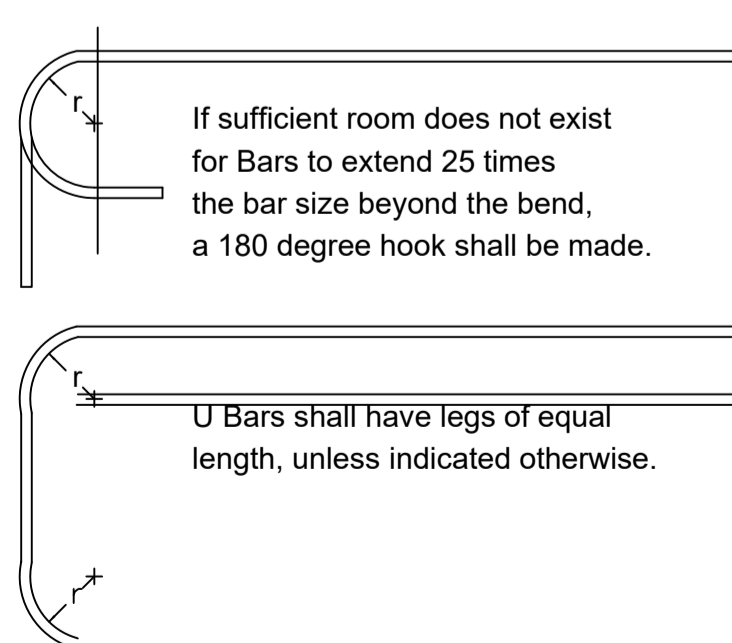
It is recommended to lay the building foundations directly on Talus Deposits these foundation grounds are suitable to support the imposed loads for any shallow foundation system such as individual footings with tie beams, strip footing and/or raft foundations. However, the native ground should be well compacted using proper roller. regardless, the foundation should never be laid on the existing Embankment fill and Buried topsoil/Topsoil Materials.

CONTRACTOR SHALL VERIFY THE BEARING CAPACITY AND THE DEPTH OF FOUNDATION BEFORE CONSTRUCTION

Radii of Bending

Minimum Radius of Bend for Top Bars at Support and U Bars shall be as follows. For other bars, minimum radius of bend shall equal to 2 times bar size for Mild Steel and 3 times bar size for High-yield Steel.

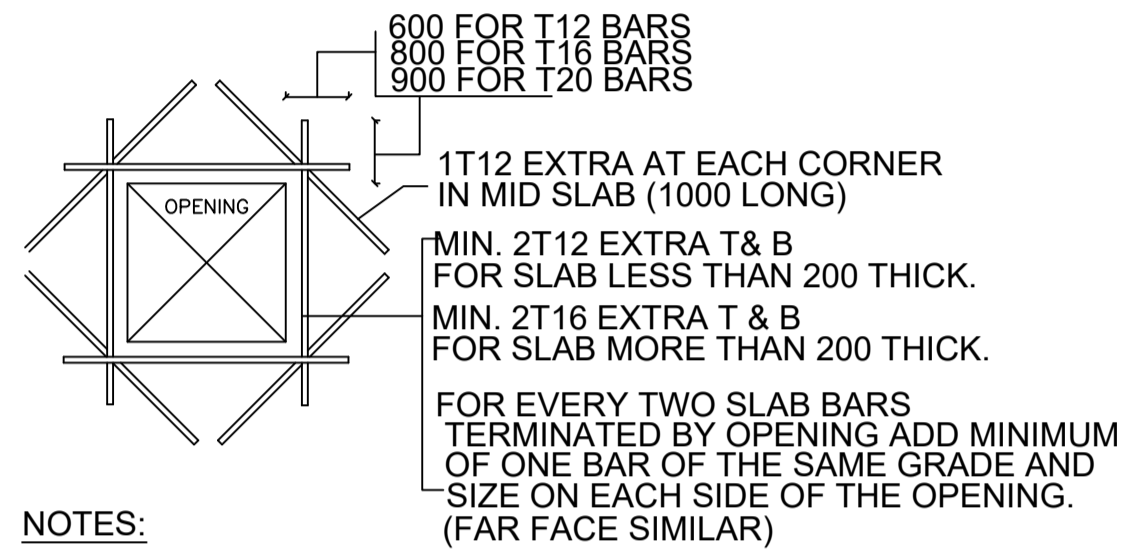
BAR DIAMETER (mm)	MINIMUM r (mm)
51	66
81	98
98	115
115	134
134	153
153	175
175	205
205	287
287	
32	



Reinforcement

- All reinforcing bars shall be deformed high strength steel bars of Characteristic Strength equal to: f_y=420 MPa. for main steel denoted by T f_{yv}=420MPa. for stirrups denoted by R.
- Reinforcement shall comply with Jordanian standards
- Reinforcement shall be placed as shown on the drawings and in the lengths specified.
- Where bar length is not specified, longest practicable bar length shall be employed with staggered lap splices. Lap length shall be 55 times bar diameter.
- Bar crank shall not exceed 1:12.
- Beam reinforcement in multiple layers shall have 25mm spacer bars.

FOR SLAB OPENINGS



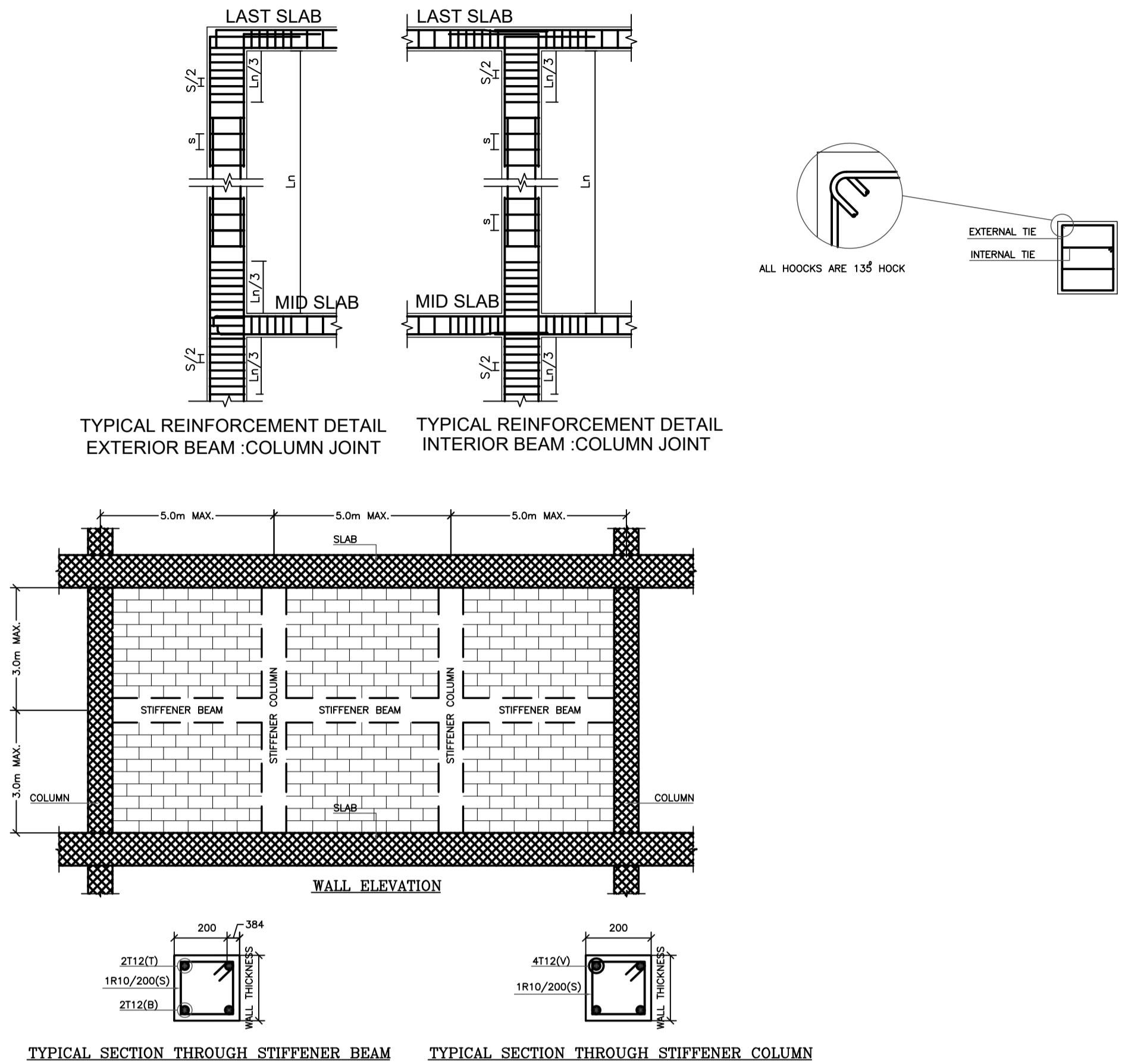
NOTES:

- FOR OPENINGS LESS THAN 200 x 200 (OR 200 DIA. REGULAR REINFORCING BARS TO BE RE-ARRANGED AROUND THE OPENING.
- FOR OPENINGS GREATER THAN 200 x 200 (OR 200 DIA.) & EQUAL OR LESS THAN 1000x1000 USE ABOVE DETAILS UNLESS ADDITIONAL TRIMMING BARS ARE SHOWN ON THE PLAN.
- WHERE AN OPENING EDGE ALIGNS WITH THE SIDE OF A BEAM - OMIT THE ADDITIONAL BARS SHOWN, FROM THAT EDGE.
- SIMILAR DETAILS APPLY FOR HEXAGONAL AND OCTAGONAL OPENINGS.

RECTANGULAR OR SQUARE SLAB OPENING NTS

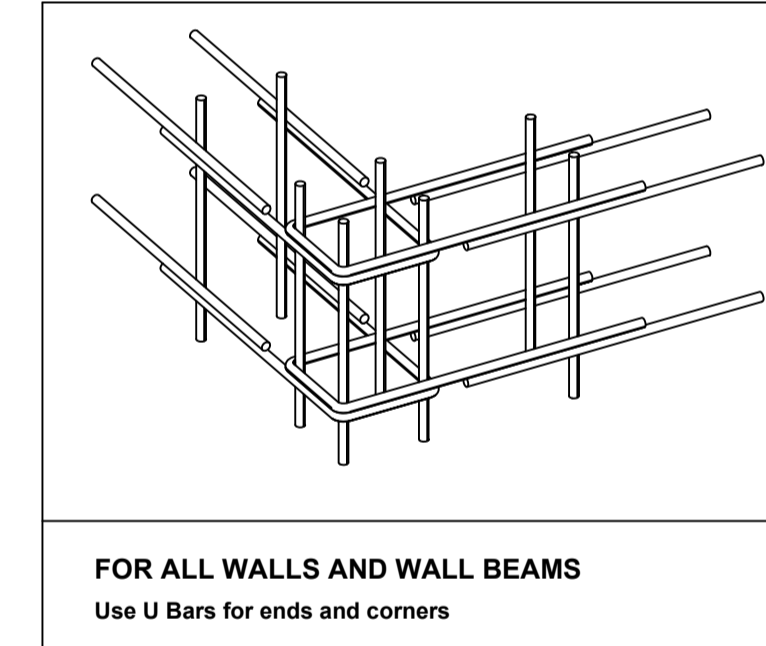
After demolishing the existing buildings, if existing foundation of the demolished buildings below (designed foundation levels), then at least the new foundation should be placed 0.5m within the natural material.

DETAILS

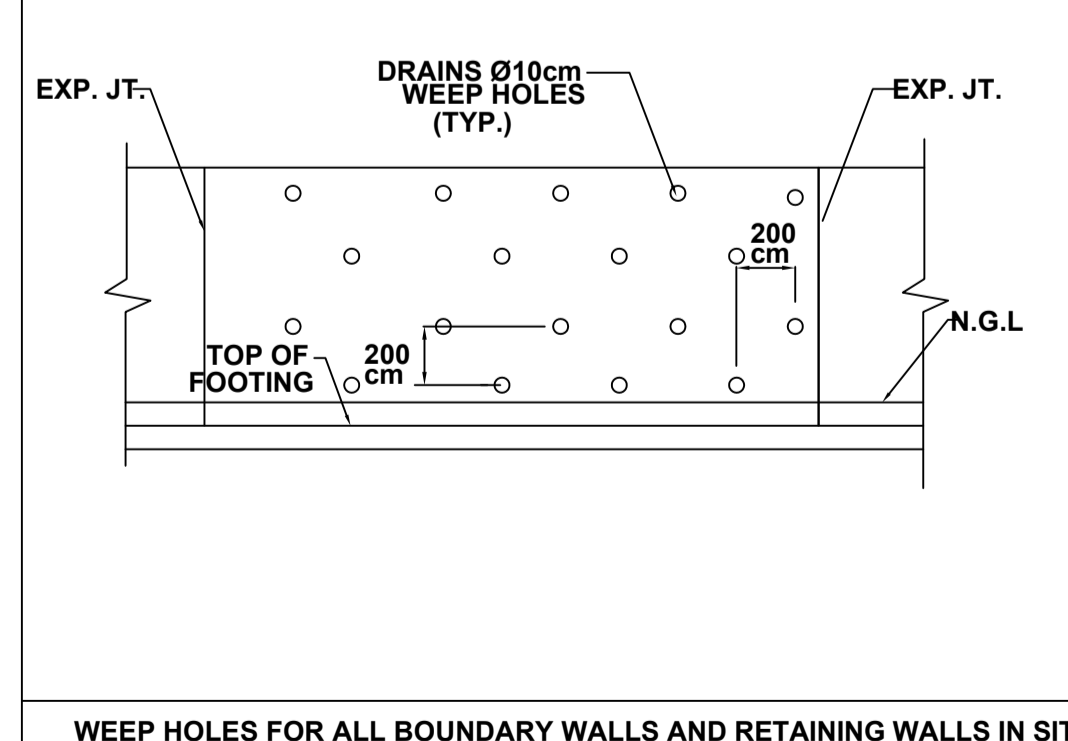


SYMBOLS

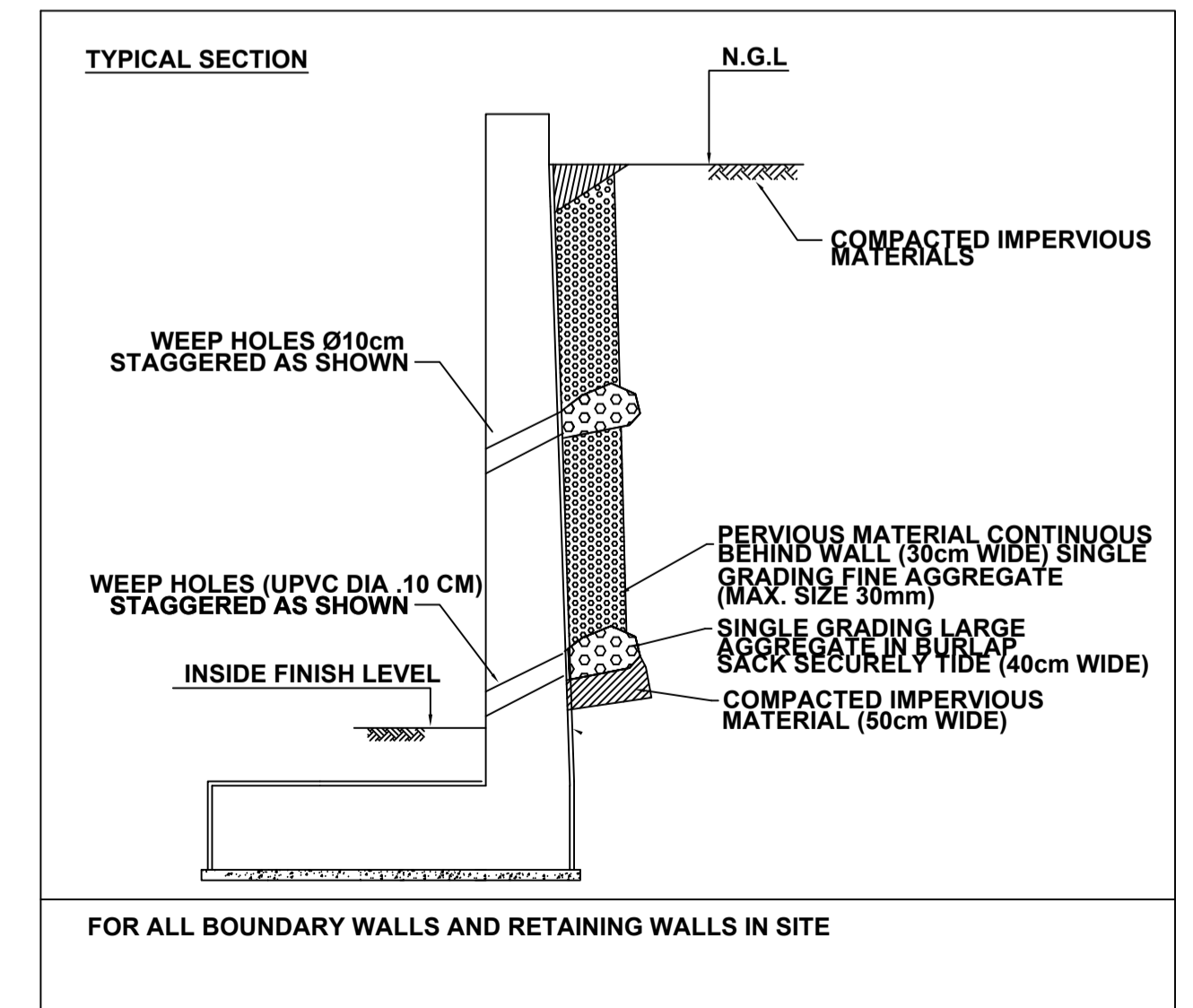
	REINFORCED CONCRETE
	BLOCK
	FILL
	PLAIN CONCRETE
	CONCRETE LEVEL IN ELEVATION
	CONCRETE LEVEL IN PLAN
	(SLAB, FOUNDATION TYPE)
	THICKNESS IN MM
	SECTION NAME
	REFERENCE DWG No.
	DETAIL NAME
	REFERENCE DWG No.



TYPICAL ELEVATION



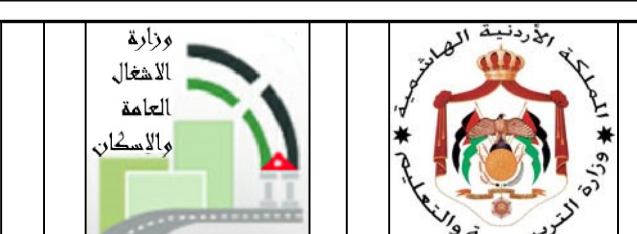
WEEP HOLES FOR ALL BOUNDARY WALLS AND RETAINING WALLS IN SITE



FOR ALL BOUNDARY WALLS AND RETAINING WALLS IN SITE

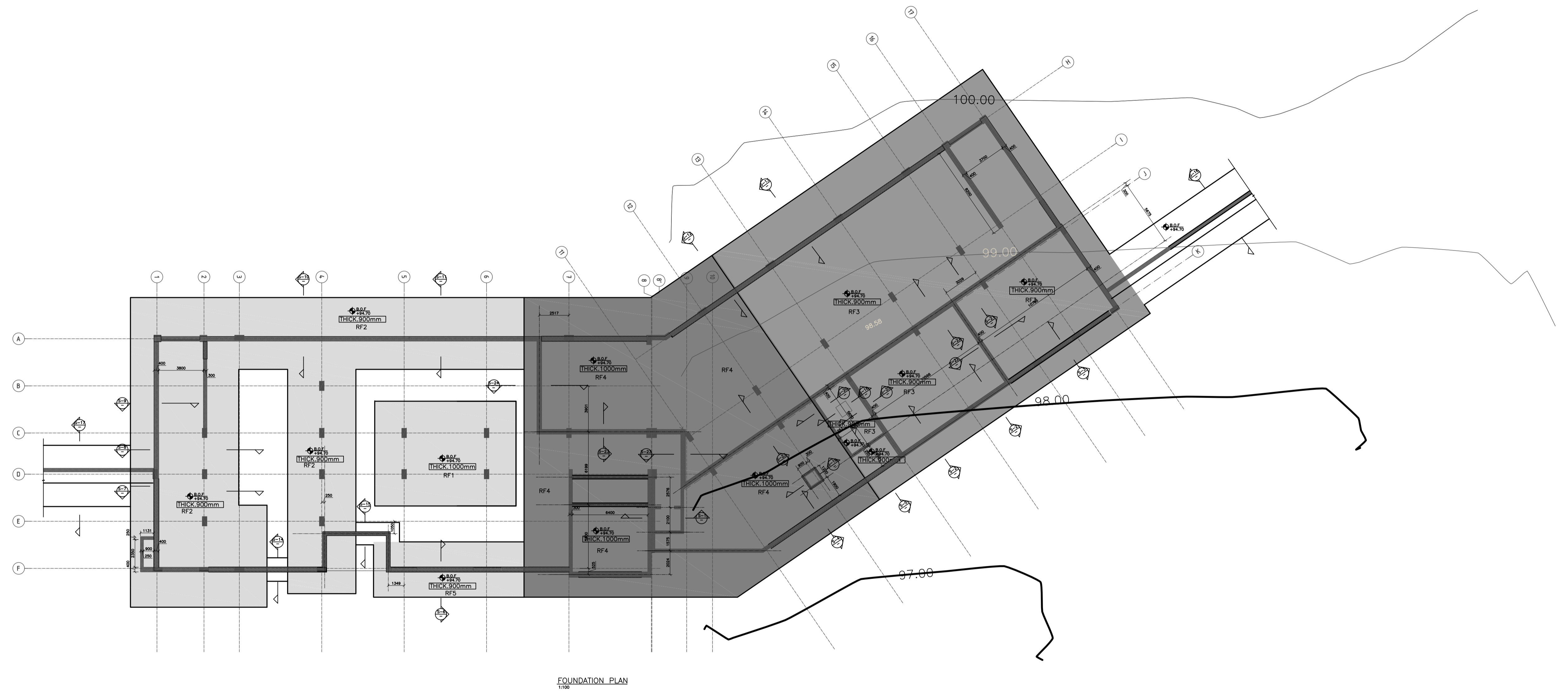
REV.	DATE	REMARKS
0	JUNE 2020	VOL. IV - TENDER DRAWINGS

NOTES:



PHASE III	UM AL DANANIR BASIC MIXED (AMMAN)
PACKAGE 1	SCHOOLS FOR A KNOWLEDGE ECONOMY PROJECT (USAID SKEP)

DRAWING NAME: GENERAL NOTES		Design: A.KH.	Drawn: CAD	Checked: R.K.	North:
PLOT No: 568		SCALE: 1/200	Date: JUNE 2020	Approved:	
LOCATION: UM AL DANANIR	BASIN NO: 002-ALQESHANEYEH	DRAWING NUMBER: SKEP 13-SG-001	Rev.: 0		



FOUNDATION PLAN
1/100

REV.	DATE	REMARKS
0	JUNE 2020	VOL. IV - TENDER DRAWINGS

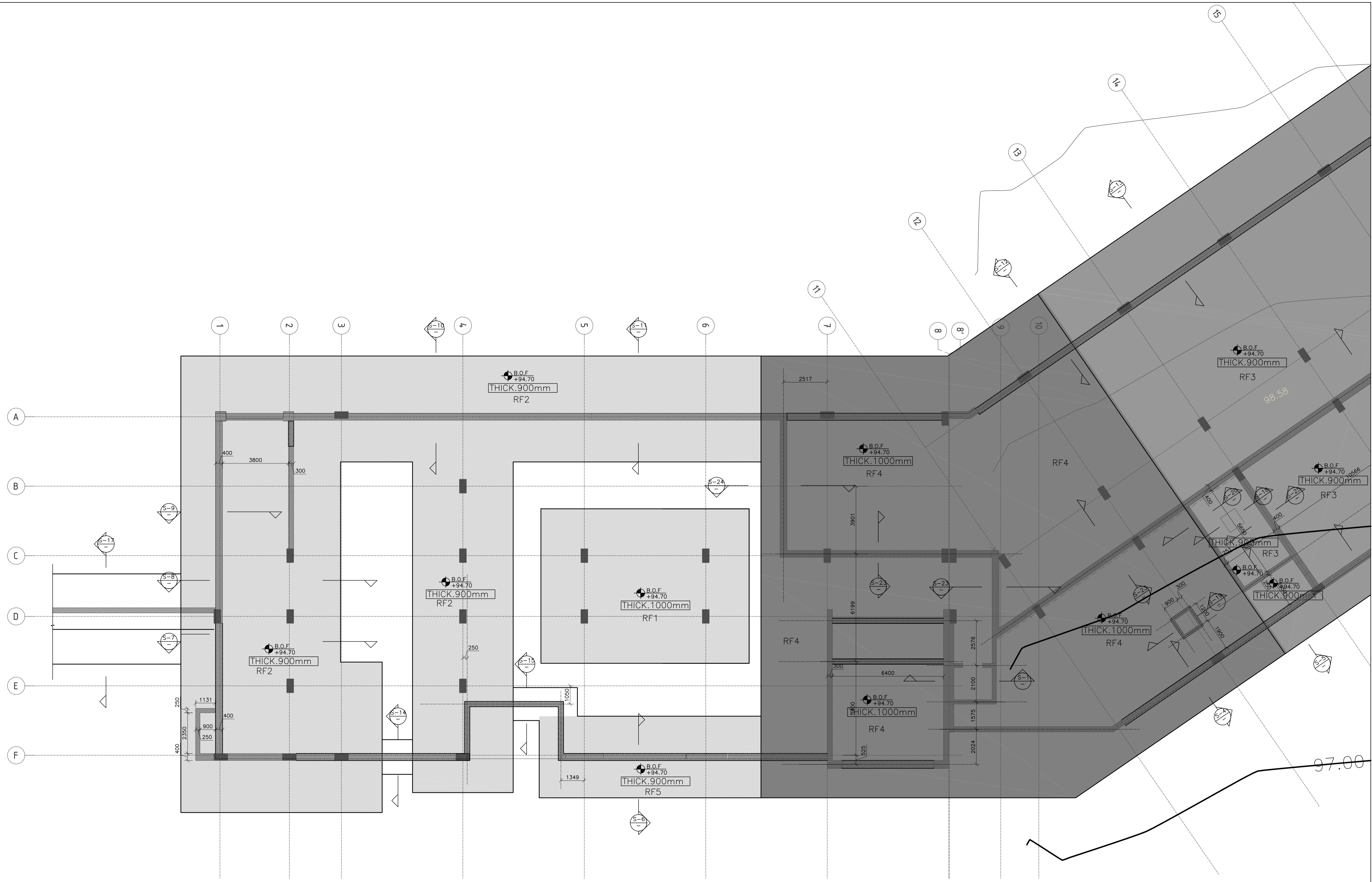
NOTES:



PHASE III	UM AL DANANIR BASIC MIXED (AMMAN)
PACKAGE 1	SCHOOLS FOR A KNOWLEDGE ECONOMY PROJECT (USAID SKEP)

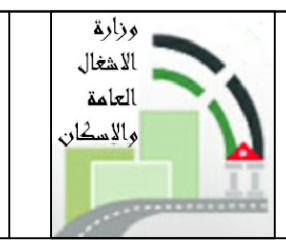
DRAWING NAME:		FOUNDATION PLAN-1-
Design:	A.K.H.	Drawn: CAD
Checked:	R.K	Approved:
SCALE:	1/200	Date: JUNE 2020
PLOT No	568	LOCATION
BASIN NO	002-ALQESHANEYEH	DRAWING NUMBER:
SKEP 13-SFP100		Rev.:
0		

North:	
--------	--



REV.	DATE	REMARKS
0	JUNE 2020	VOL. IV - TENDER DRAWINGS

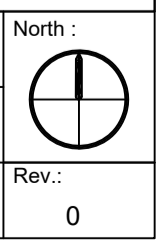
NOTES:

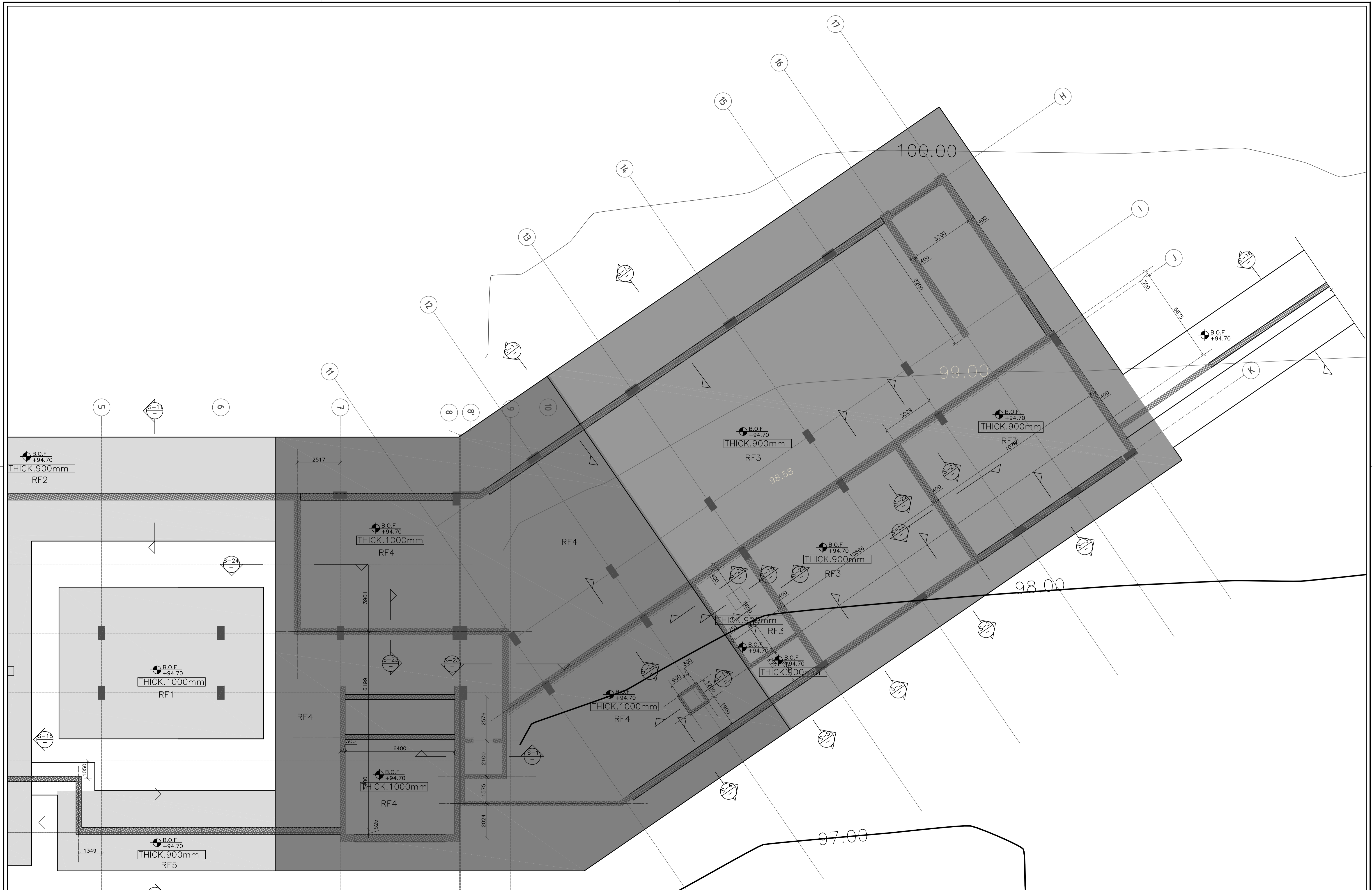


PHASE III
PACKAGE 1
UM AL DANANIR BASIC MIXED (AMMAN)
SCHOOLS FOR A KNOWLEDGE ECONOMY PROJECT (USAID SKEP)

DRAWING NAME:
FOUNDATION PLAN-2-
PLOT No 568
LOCATION UM AL DANANIR
BASIN NO 002-ALQESHANEYEH

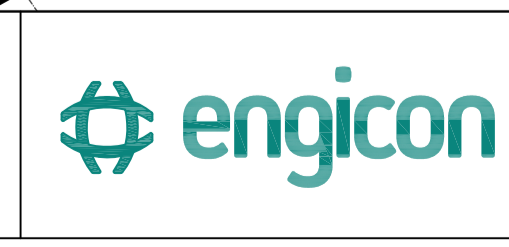
Design: A.K.H.
SCALE: 1/200
Date: JUNE 2020
DRAWING NUMBER: SKEP 13-SFP101
Rev.: 0





REV.	DATE	REMARKS
0	JUNE 2020	VOL. IV - TENDER DRAWINGS

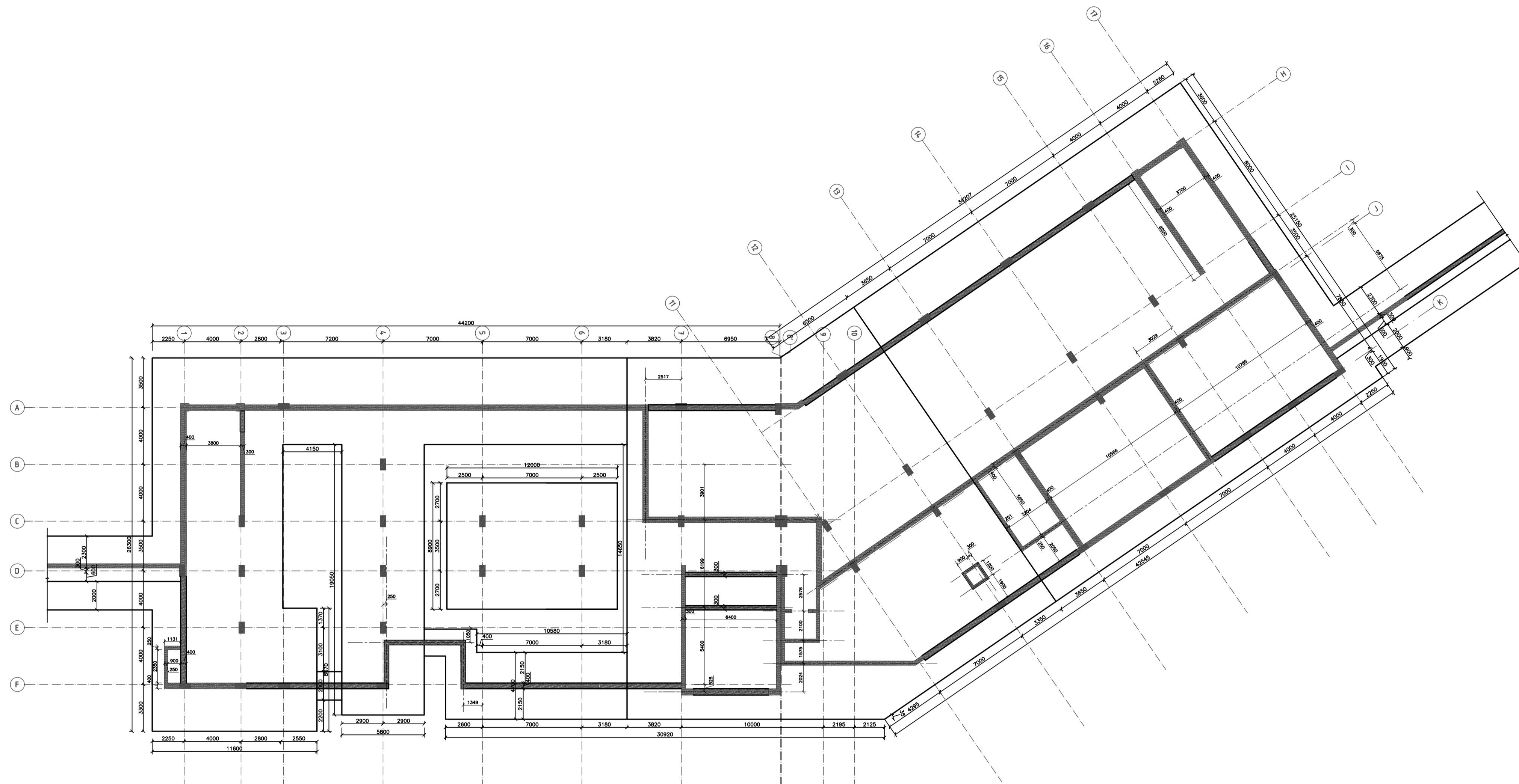
NOTES:



PHASE III
PACKAGE 1
UM AL DANANIR BASIC MIXED (AMMAN)
SCHOOLS FOR A KNOWLEDGE ECONOMY PROJECT (USAID SKEP)

DRAWING NAME:
FOUNDATION PLAN-3
PLOT No 568
LOCATION UM AL DANANIR
BASIN NO 002-ALQESHANEYEH

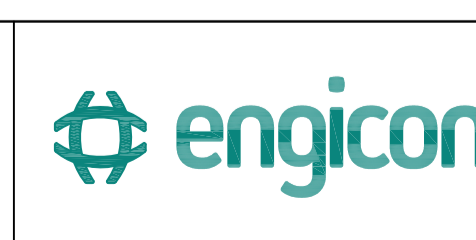
Design: A.K.H.	Drawn: CAD	Checked: R.K	North:
SCALE: 1/200	Date: JUNE 2020	Approved:	Rev.: 0
DRAWING NUMBER: SKEP 13-SFP102			



FOUNDATION DIMENSION PLAN
1:100

REV.	DATE	REMARKS
0	JUNE 2020	VOL. IV - TENDER DRAWINGS

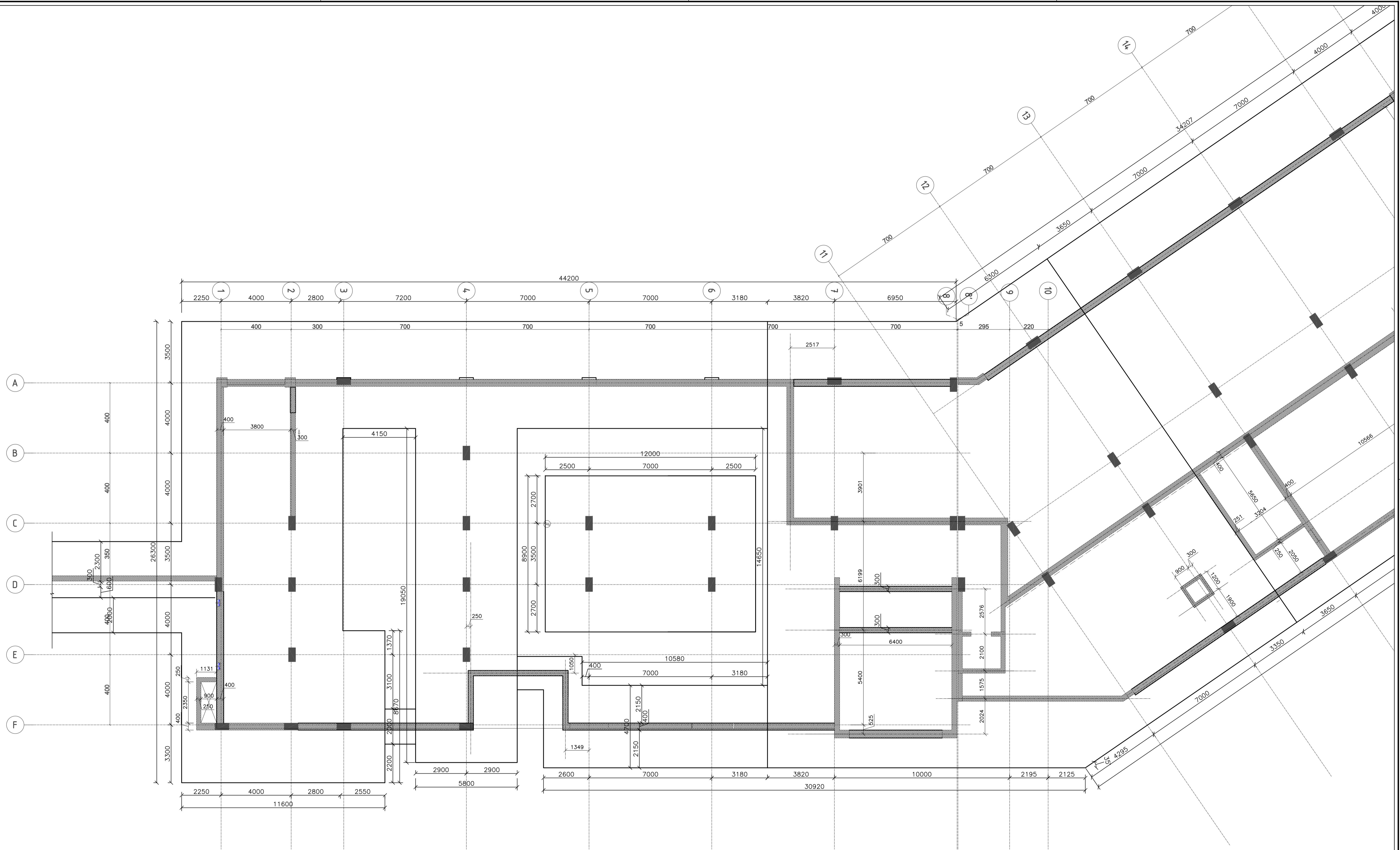
NOTES:



PHASE III	UM AL DANANIR BASIC MIXED (AMMAN)
PACKAGE 1	SCHOOLS FOR A KNOWLEDGE ECONOMY PROJECT (USAID SKEP)

DRAWING NAME: FOUNDATION DIMENSION PLAN-1-	
Design: A.K.H.	Drawn: CAD
SCALE: 1/200	Date: JUNE 2020
Checked: R.K.	Approved:
PLOT No: 568	LOCATION: UM AL DANANIR
BASIN NO: 002-ALQESHANEYEH	DRAWING NUMBER: SKEP 13-SFP103

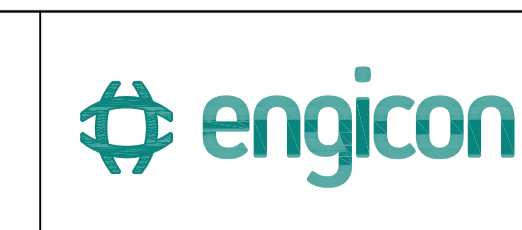
North:	
Rev.:	0



FOUNDATION DIMENSION PLAN
1:100

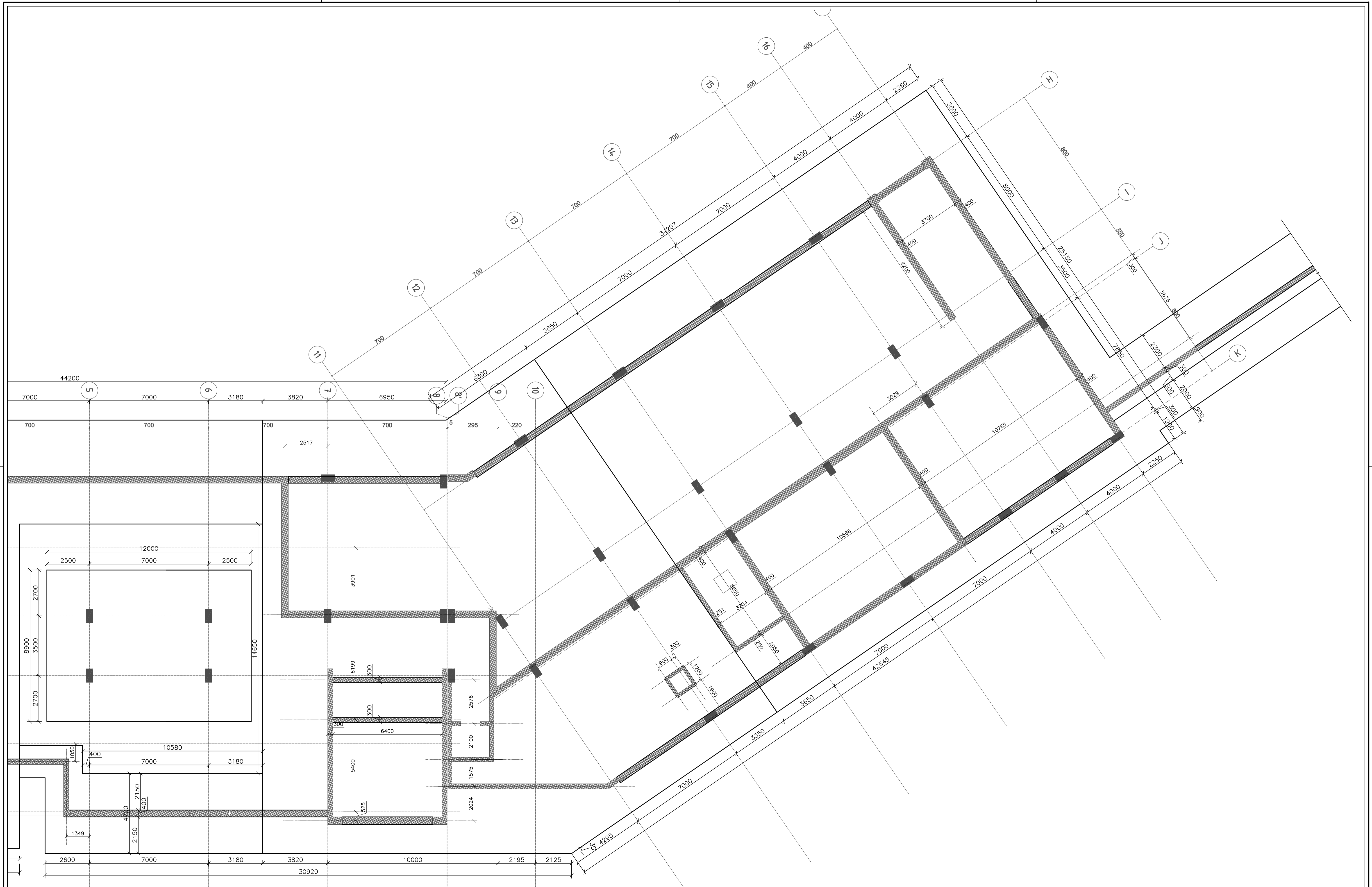
REV.	DATE	REMARKS
0	JUNE 2020	VOL. IV - TENDER DRAWINGS

NOTES:



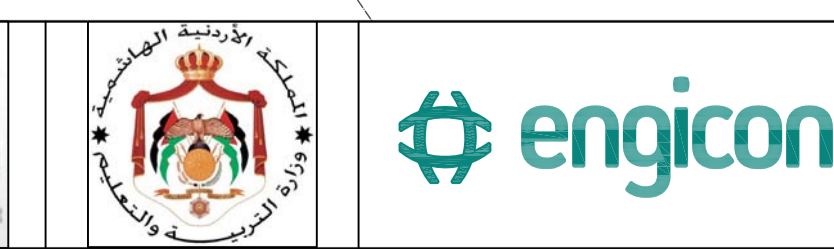
PHASE III
PACKAGE 1
UM AL DANANIR BASIC MIXED (AMMAN)
SCHOOLS FOR A KNOWLEDGE ECONOMY PROJECT (USAID SKEP)

DRAWING NAME: FOUNDATION DIMENSION PLAN-2-		Design: A.K.H.	Drawn: CAD	Checked: R.K	North: ↑
SCALE: 1/200		Date: JUNE 2020	Approved:		
PLOT No 568	LOCATION UM AL DANANIR	BASIN NO 002-ALQESHANEYEH	DRAWING NUMBER: SKEP 13-SFP104		Rev.: 0



REV.	DATE	REMARKS
0	JUNE 2020	VOL. IV - TENDER DRAWINGS

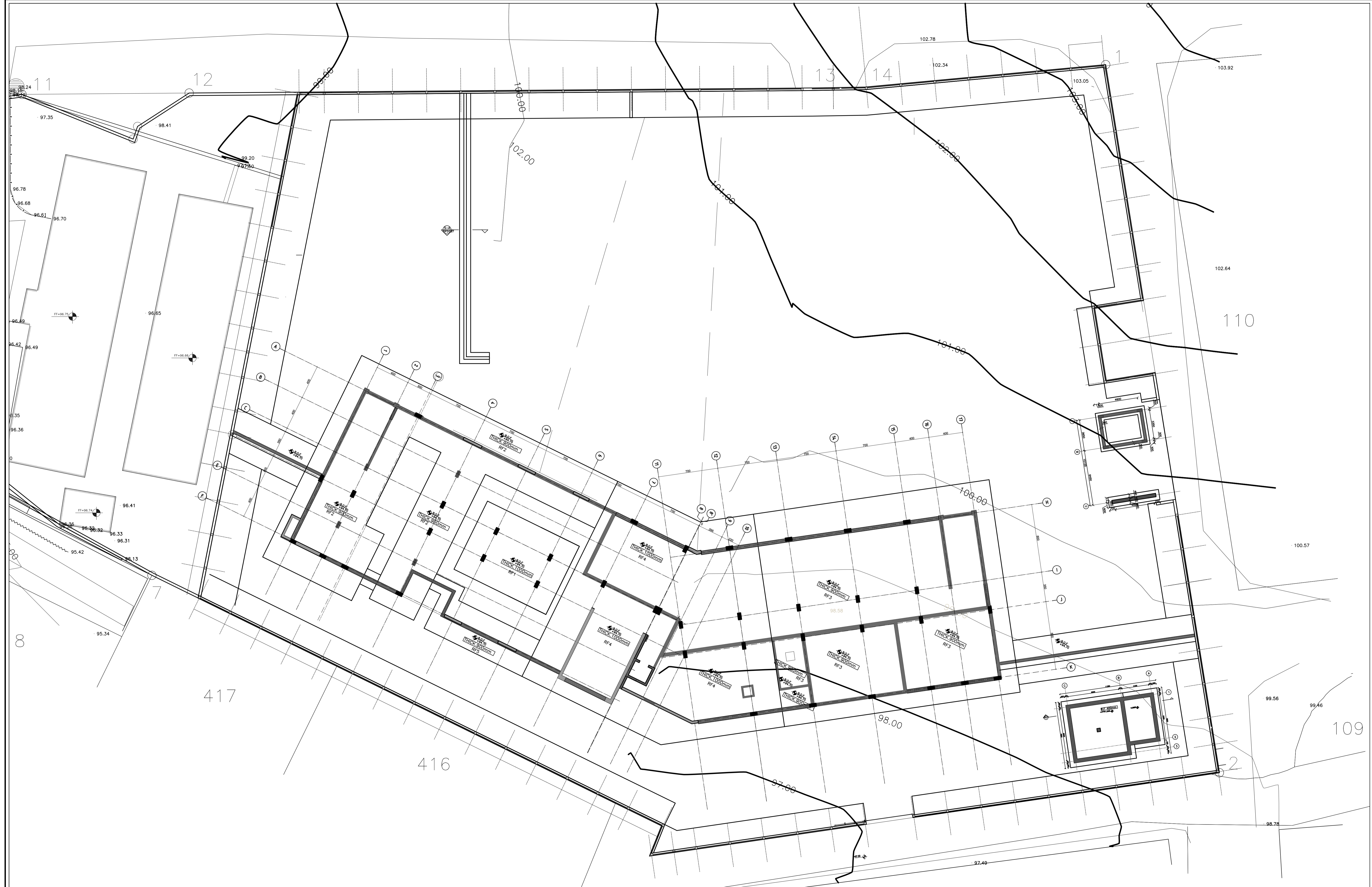
NOTES:



PHASE III
PACKAGE 1
UM AL DANANIR BASIC MIXED (AMMAN)
SCHOOLS FOR A KNOWLEDGE ECONOMY PROJECT (USAID SKEP)

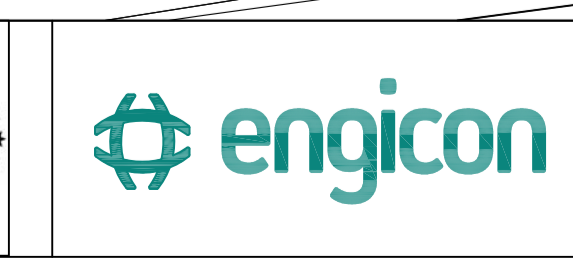
DRAWING NAME:
FOUNDATION DIMENSION PLAN-3-
DESIGN: A.K.H.
SCALE: 1/200
DATE: JUNE 2020
DRAWING NUMBER: SKEP 13-SFP105

Design: A.K.H.
Drawn: CAD
Checked: R.K.
Date: JUNE 2020
Approved:
Rev.: 0



REV.	DATE	REMARKS
0	JUNE 2020	VOL. IV - TENDER DRAWINGS

NOTES:

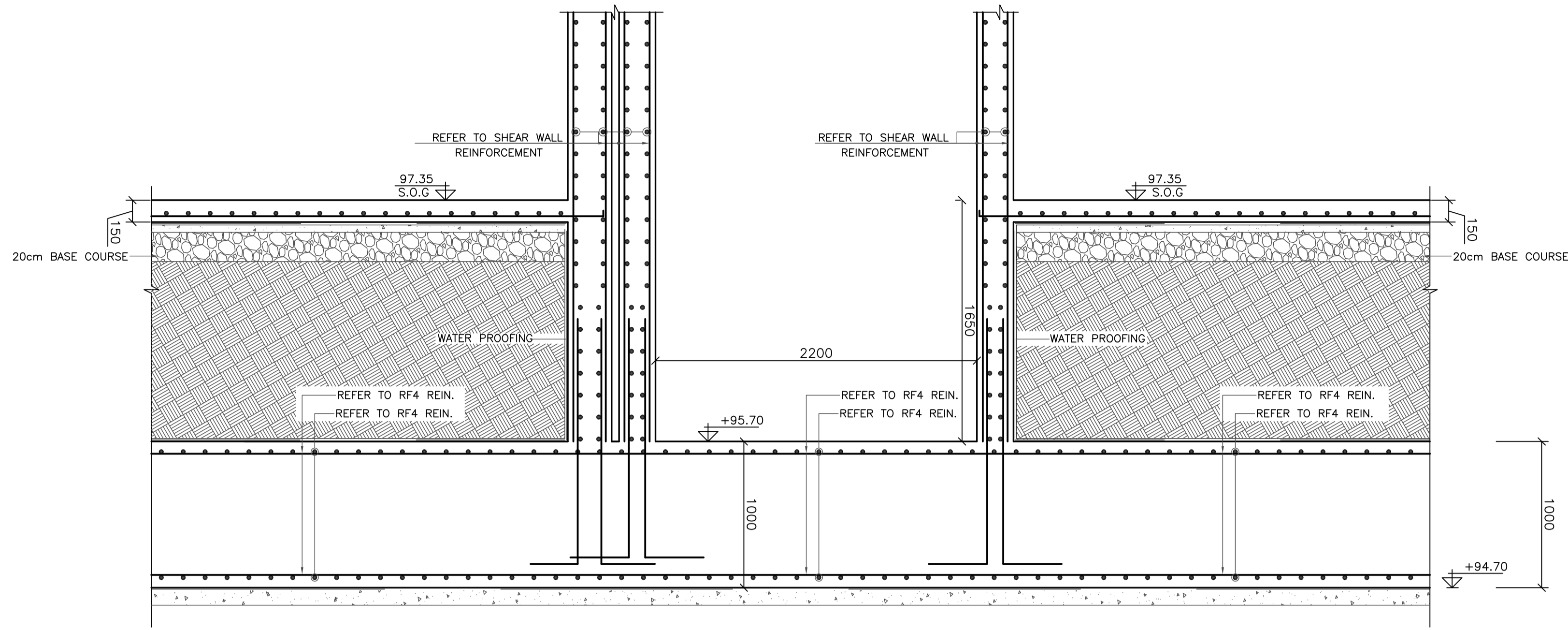


PHASE III
PACKAGE 1
UM AL DANANIR BASIC MIXED (AMMAN)
SCHOOLS FOR A KNOWLEDGE ECONOMY PROJECT (USAID SKEP)

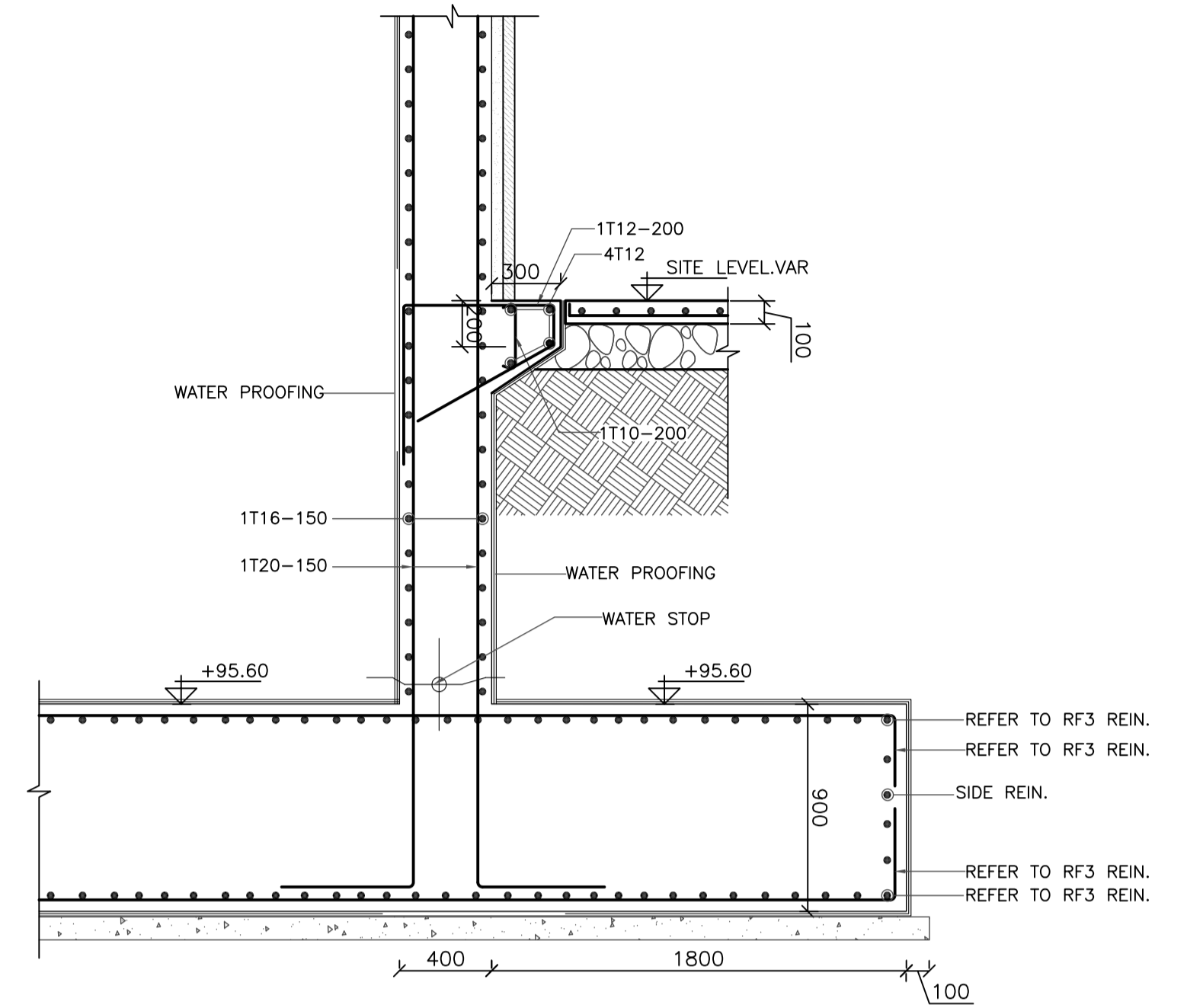
DRAWING NAME:
STRUCTURAL SITE PLAN
PLOT No: 568
LOCATION: UM AL DANANIR
BASIN NO: 002-ALQESHANEYEH

Design: A.KH.
SCALE: 1/200
Date: JUNE 2020
DRAWING NUMBER: SKEP 13-SFP106
Checked: R.K.
Approved:
Rev.: 0

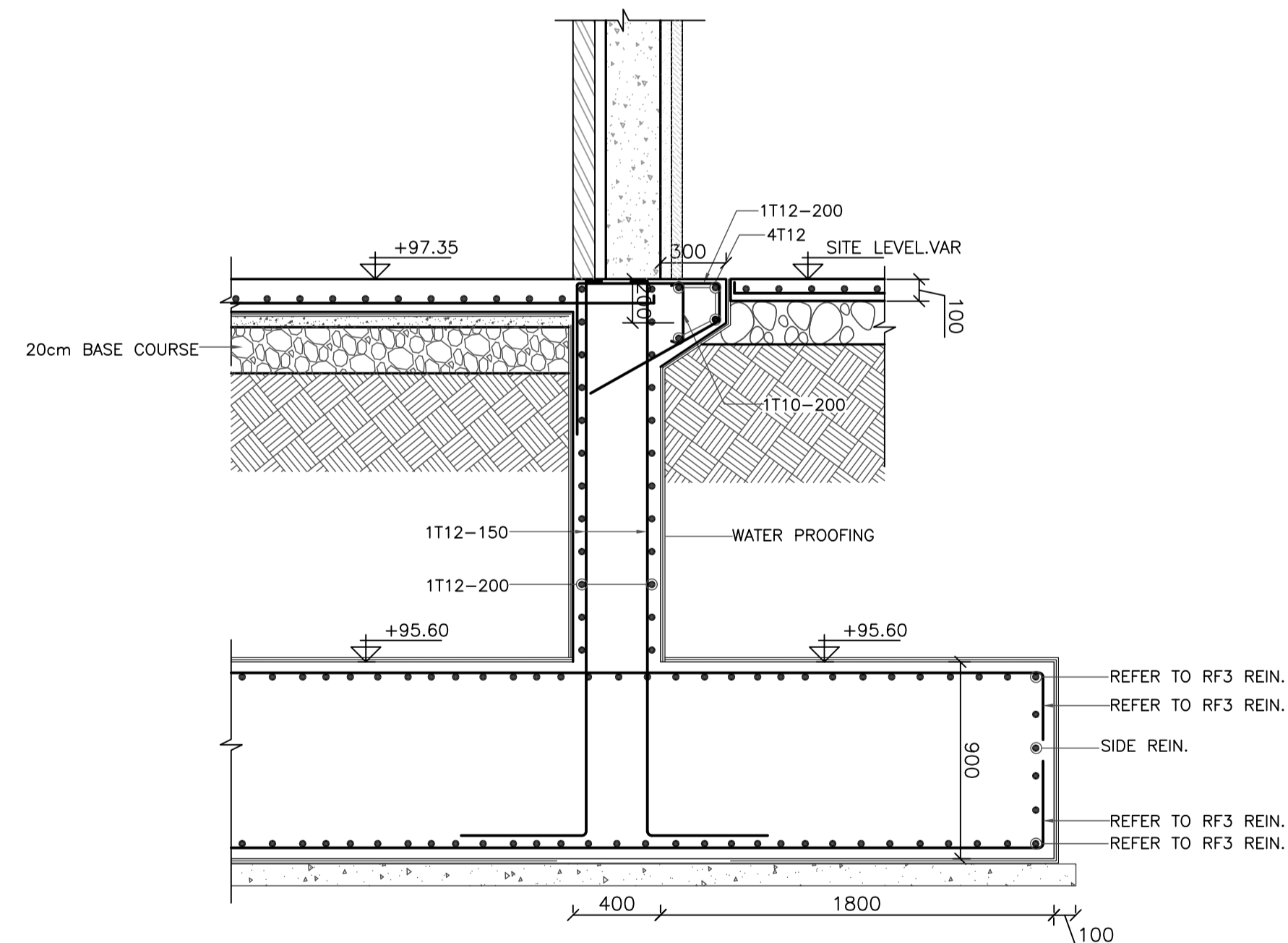




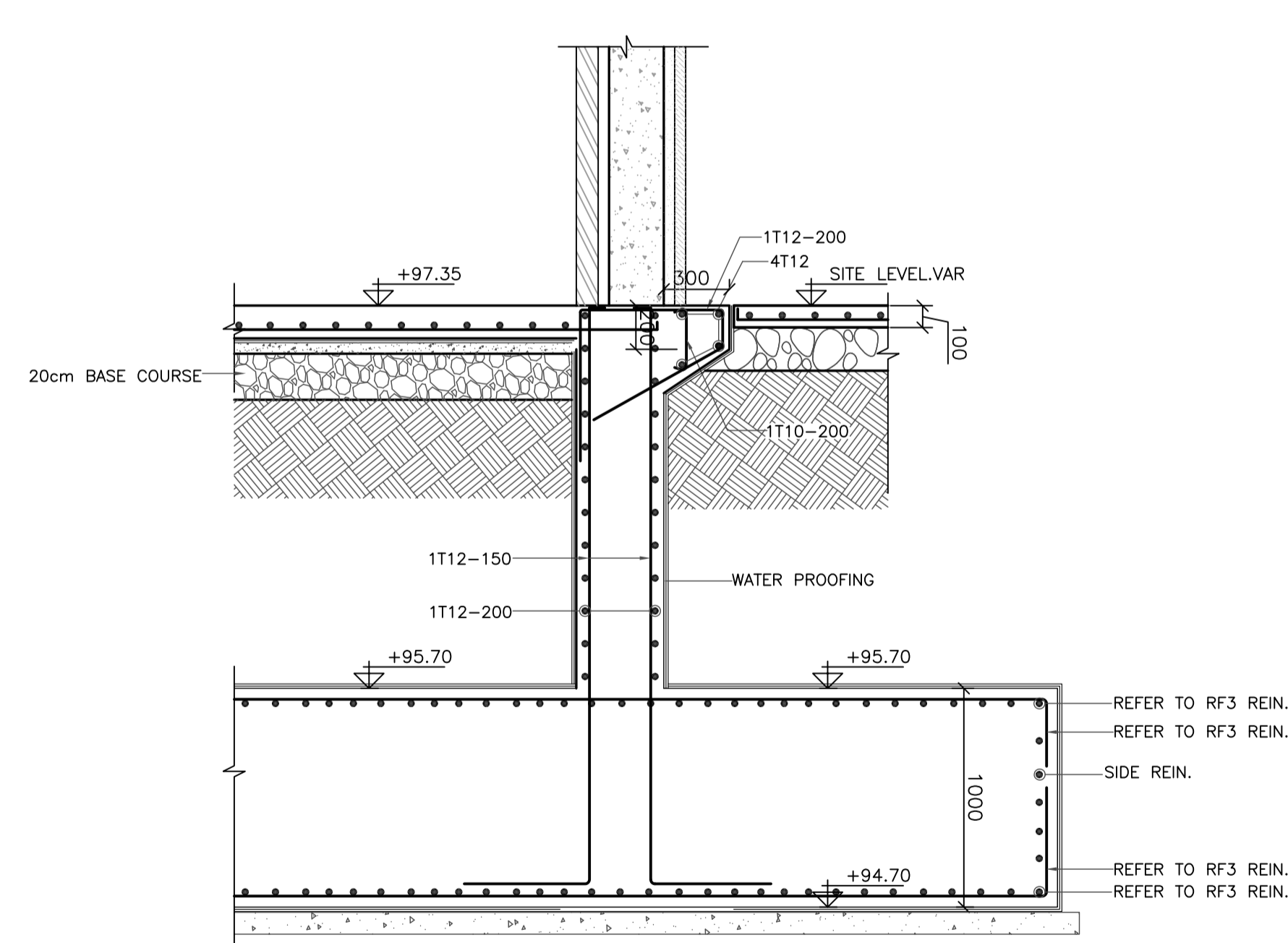
SECTION 1
1:50



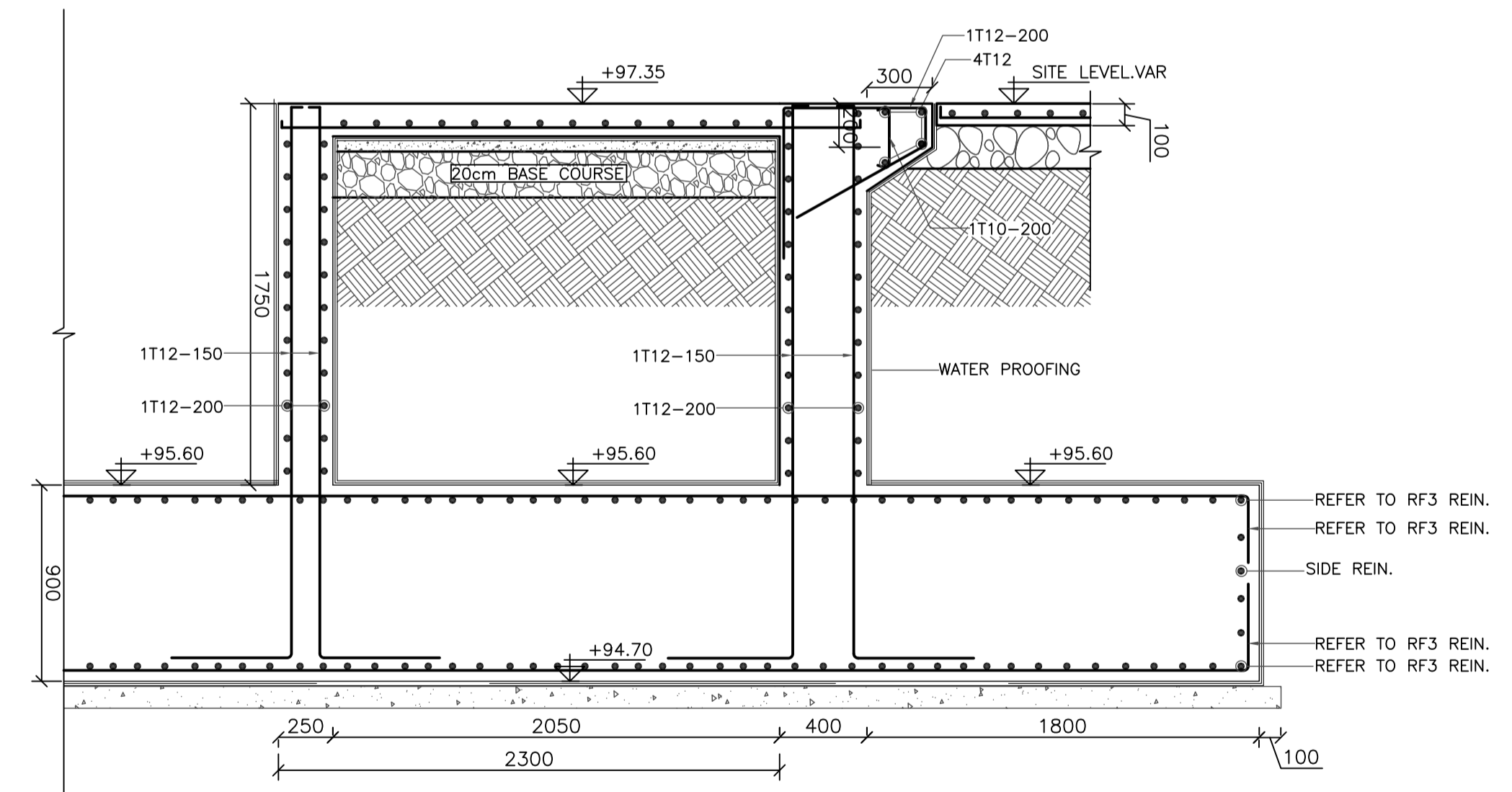
SECTION S-2
1:25



SECTION S-3
1:25



SECTION S-4
1:25



SECTION S-5
1:25

REV.	DATE	REMARKS
0	JUNE 2020	VOL. IV - TENDER DRAWINGS

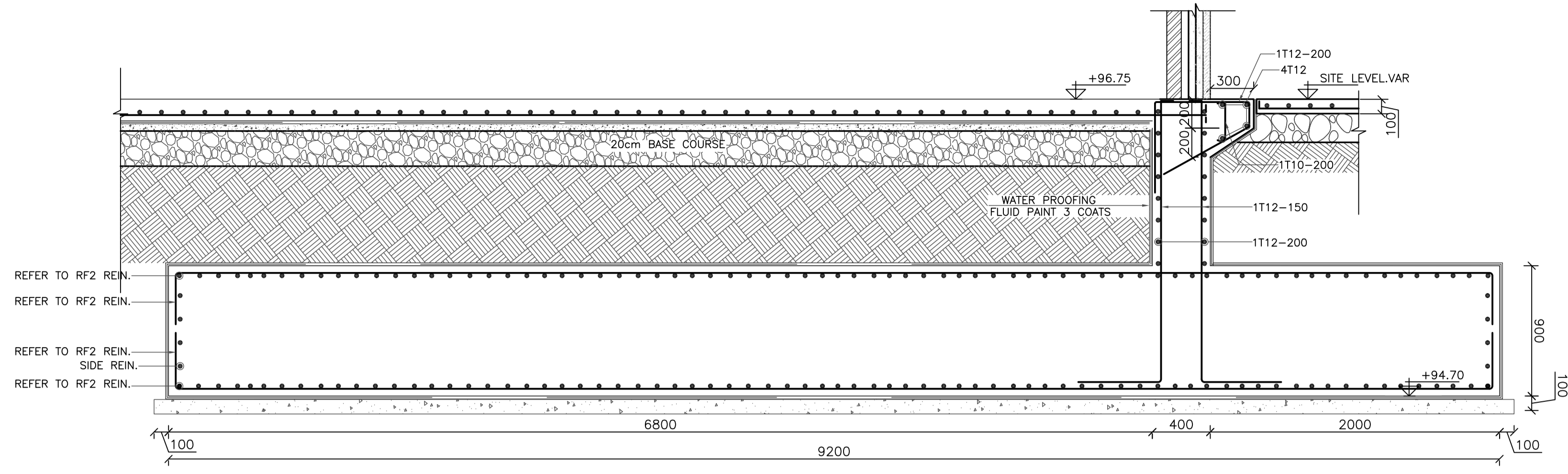
NOTES:



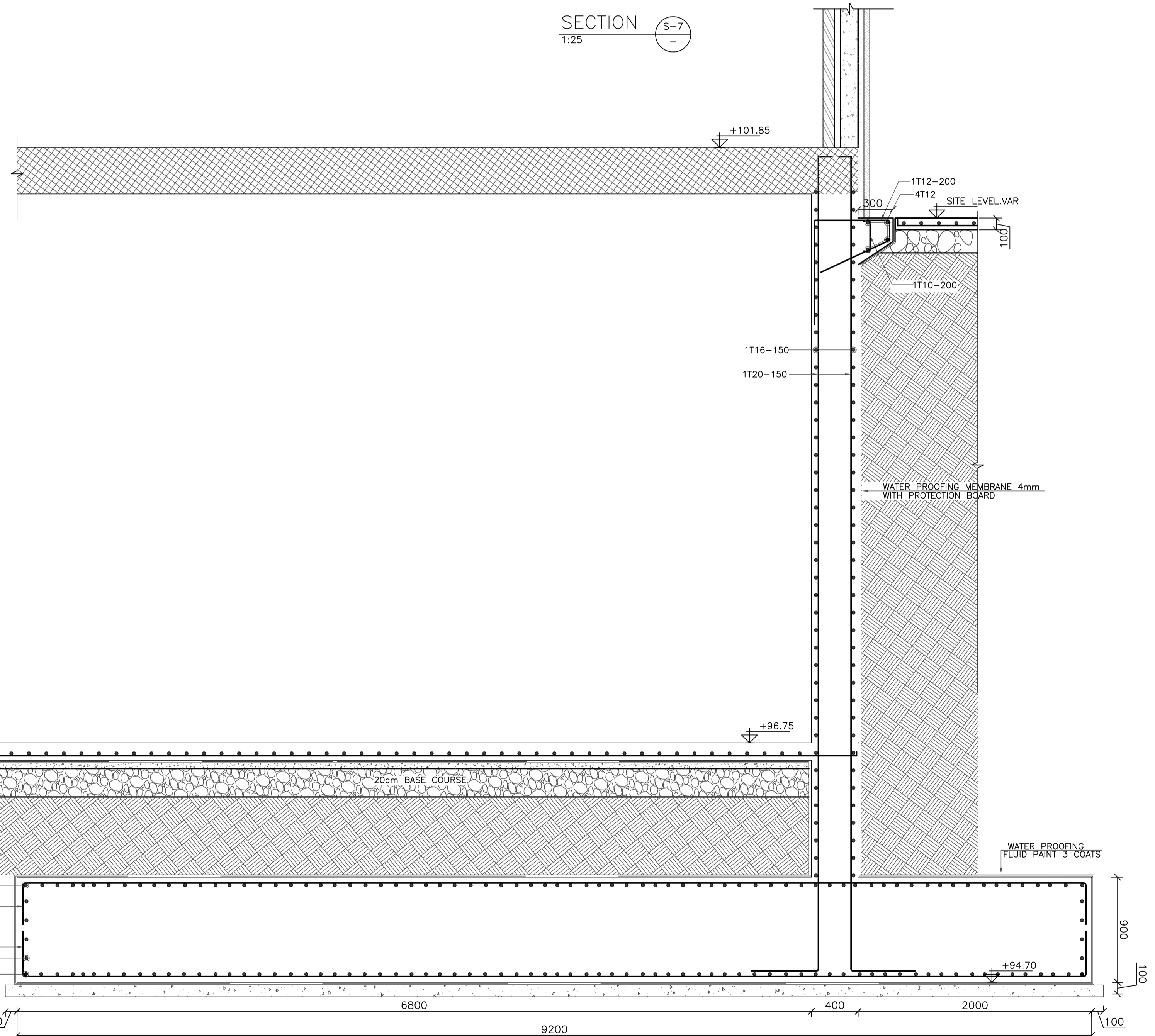
PHASE III
PACKAGE 1
UM AL DANANIR BASIC MIXED (AMMAN)
SCHOOLS FOR A KNOWLEDGE ECONOMY PROJECT (USAID SKEP)

DRAWING NAME:
FOUNDATION SECTIONS -1-
Design: A.K.H.
SCALE: 1/25
Date: JUNE 2020
DRAWING NUMBER: SKEP 13-SFD200

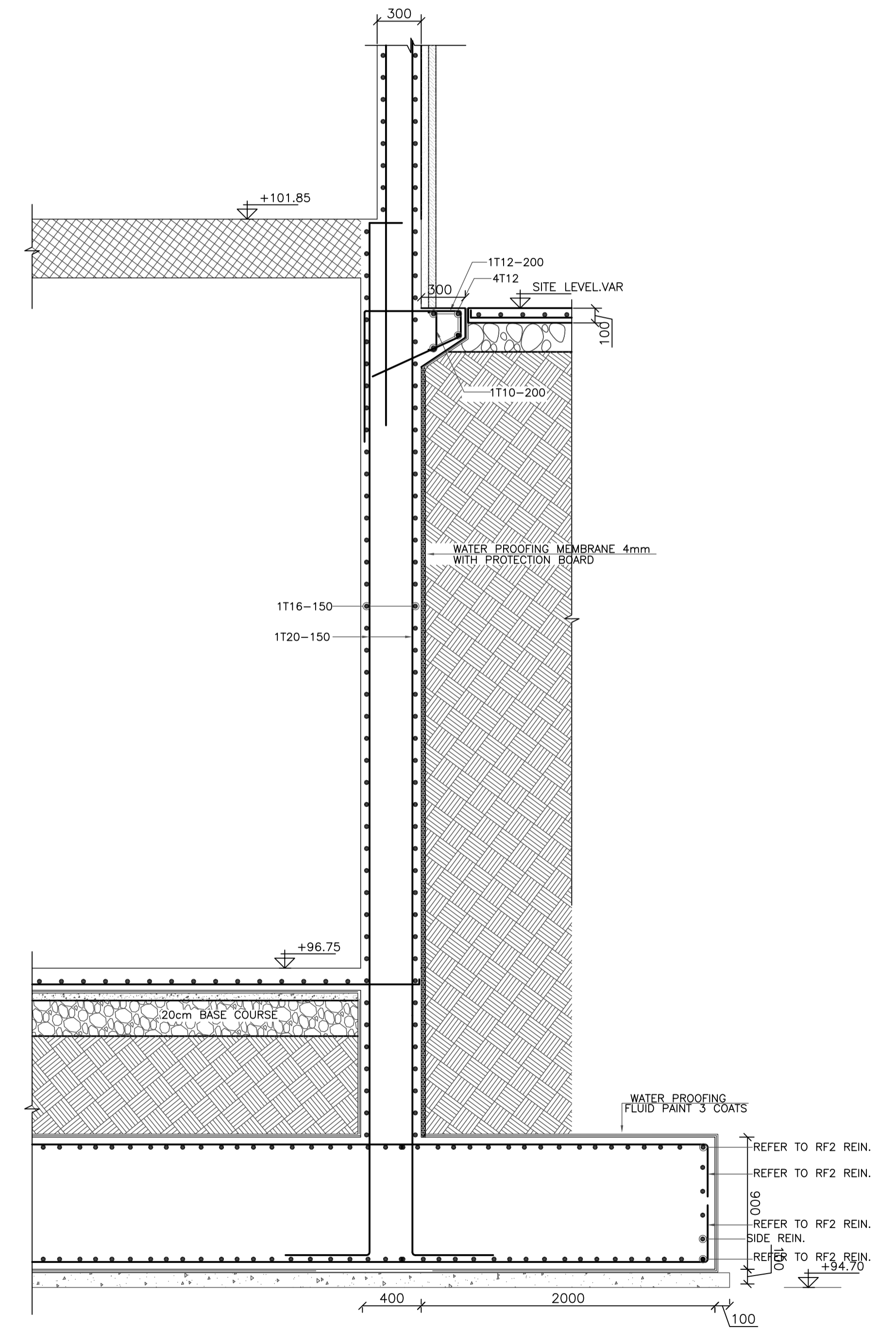
Drawn: CAD
Checked: R.K.
Approved:
Rev.: 0



SECTION S-7
1:25



SECTION S-8
1:25



SECTION S-9
1:25

REV.	DATE	REMARKS
0	JUNE 2020	VOL. IV - TENDER DRAWINGS

NOTES:

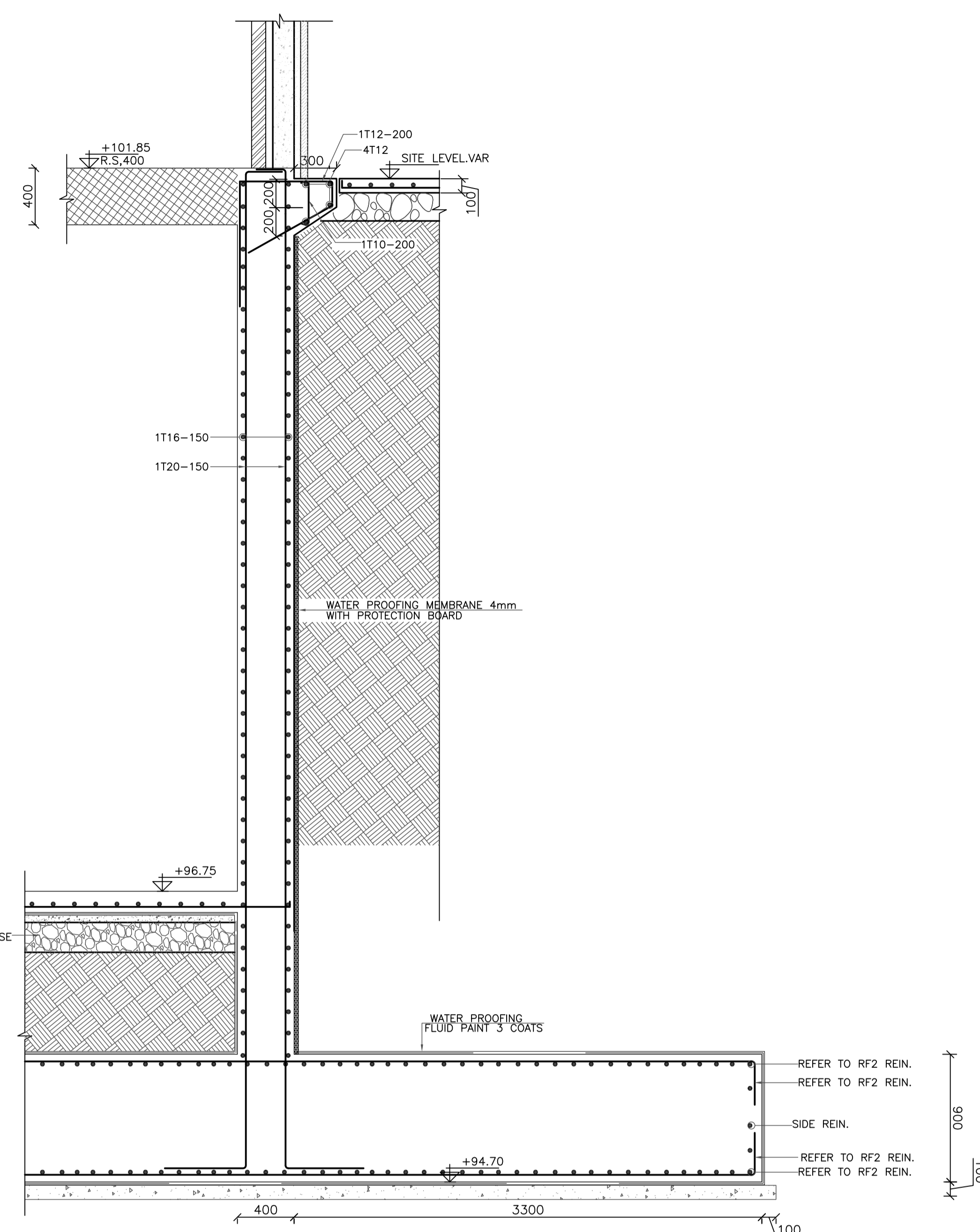
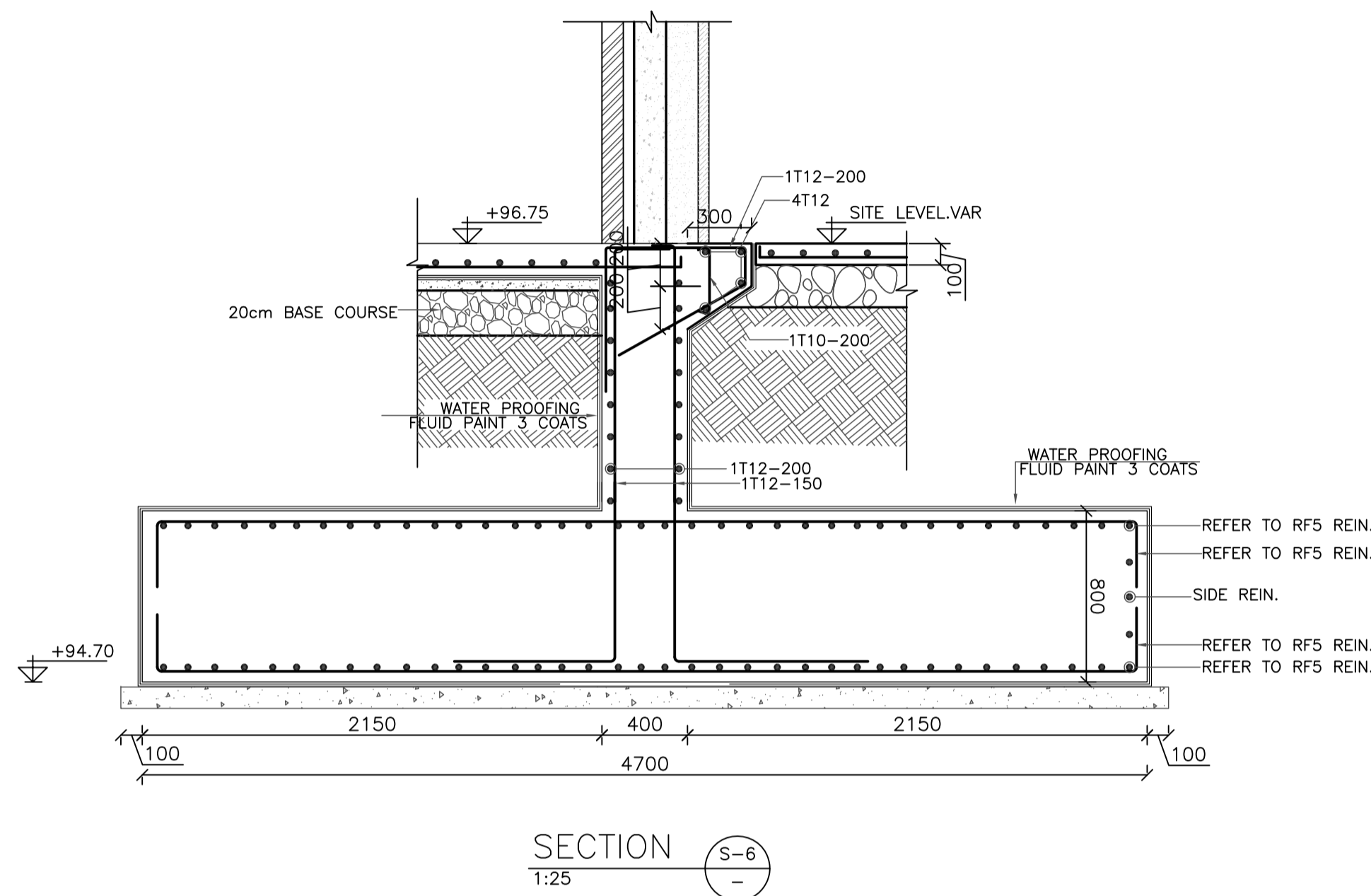
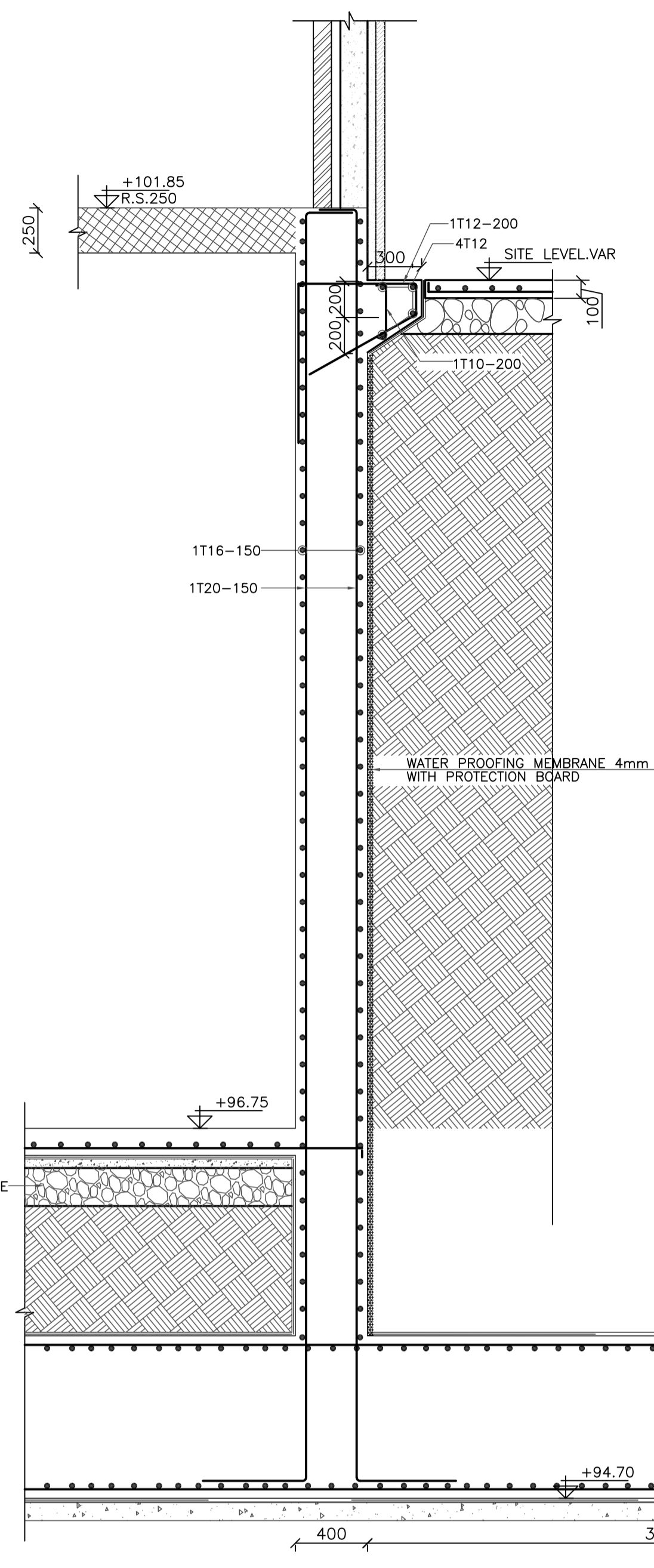


PHASE III
PACKAGE 1

UM AL DANANIR BASIC MIXED (AMMAN)
SCHOOLS FOR A KNOWLEDGE ECONOMY PROJECT (USAID SKEP)

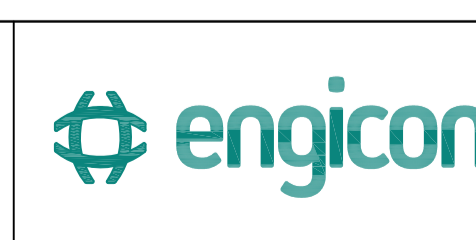
DRAWING NAME: FOUNDATION SECTIONS -2-		
DESIGN: A.K.H.	DRAWN: CAD	CHECKED: R.K.
SCALE: 1/25		
DATE: JUNE 2020		
PLOT No: 568	LOCATION: UM AL DANANIR	BASIN NO: 002-ALQESHANEYEH
DRAWING NUMBER: SKEP 13-SFD201		

Rev.: 0	North:
---------	--------



REV.	DATE	REMARKS
0	JUNE 2020	VOL. IV - TENDER DRAWINGS

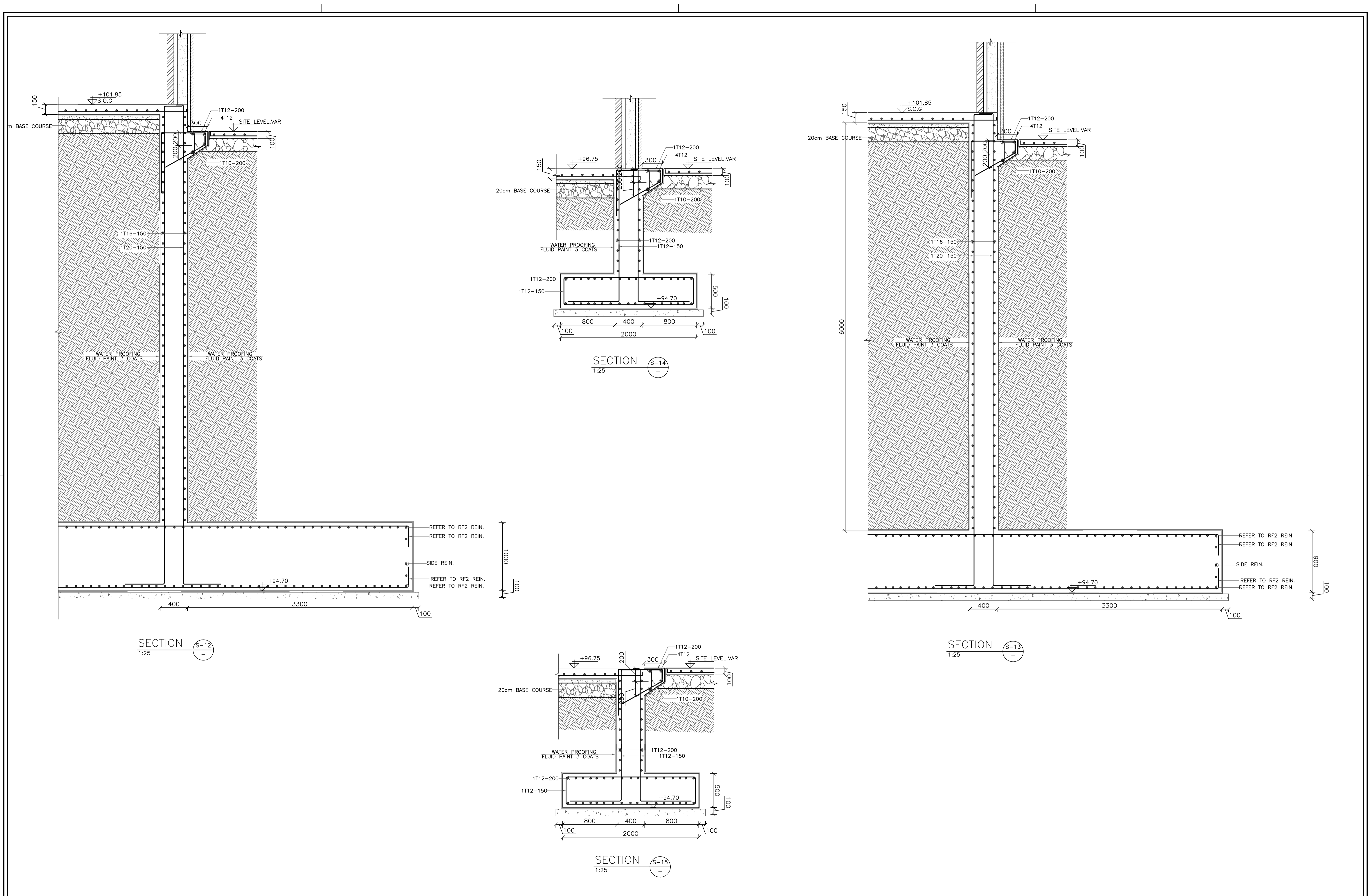
NOTES:



PHASE III
PACKAGE 1
UM AL DANANIR BASIC MIXED (AMMAN)
SCHOOLS FOR A KNOWLEDGE ECONOMY PROJECT (USAID SKEP)

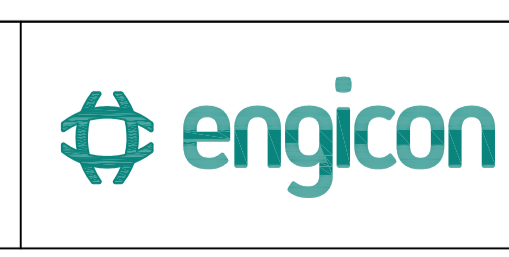
DRAWING NAME:
FOUNDATION SECTIONS -3-
PLOT No 568
LOCATION UM AL DANANIR
BASIN NO 002-ALQESHANEYEH

Design: A.K.H.
SCALE: 1/25
Date: JUNE 2020
DRAWING NUMBER: SKEP 13-SFD202
Checked: R.K.
Approved:
Rev.: 0



REV.	DATE	REMARKS
0	JUNE 2020	VOL. IV - TENDER DRAWINGS

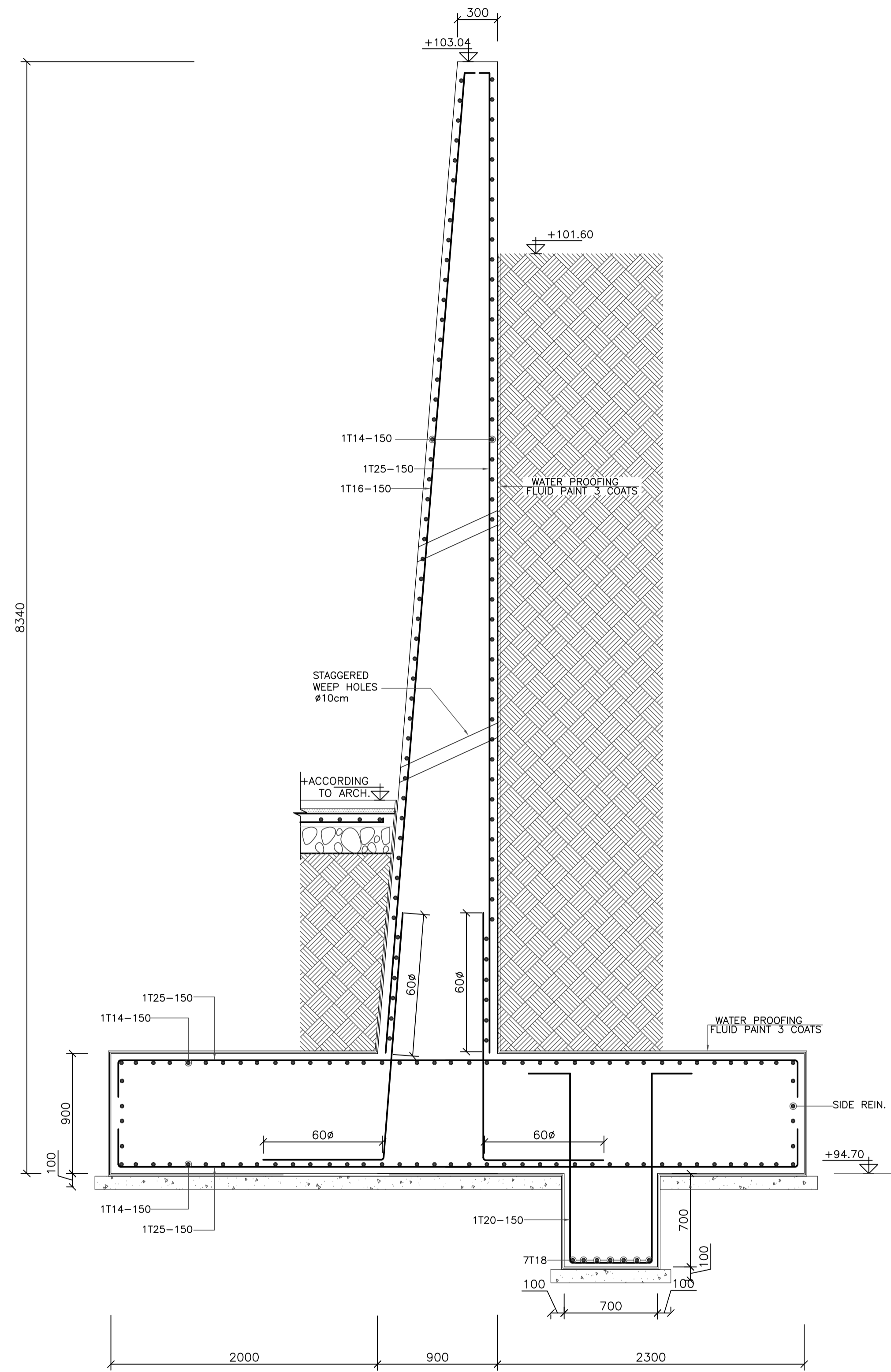
NOTES:



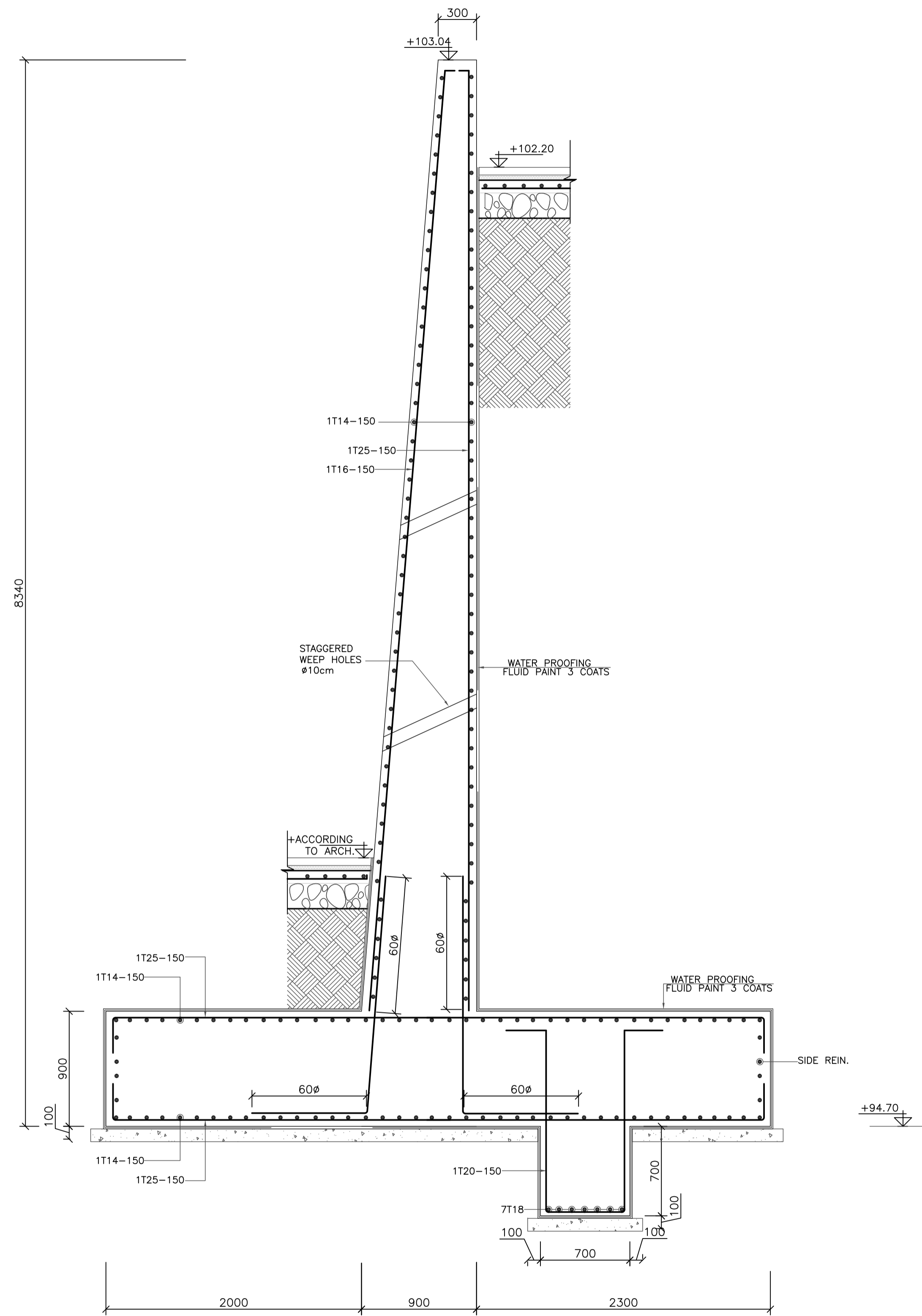
PHASE III
PACKAGE 1
UM AL DANANIR BASIC MIXED (AMMAN)
SCHOOLS FOR A KNOWLEDGE ECONOMY PROJECT (USAID SKEP)

DRAWING NAME:
FOUNDATION SECTIONS-4-
Design: A.K.H.
Scale: 1/25
Date: JUNE 2020
Location: UM AL DANANIR
Basin No: 002-ALQESHANEYEH

Checked: R.K.
Approved:
Drawing Number: SKEP 13-SFD203
Rev.: 0



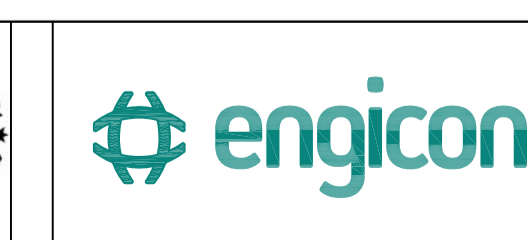
SECTION 16
1:25



SECTION 17
1:25

REV.	DATE	REMARKS
0	JUNE 2020	VOL. IV - TENDER DRAWINGS

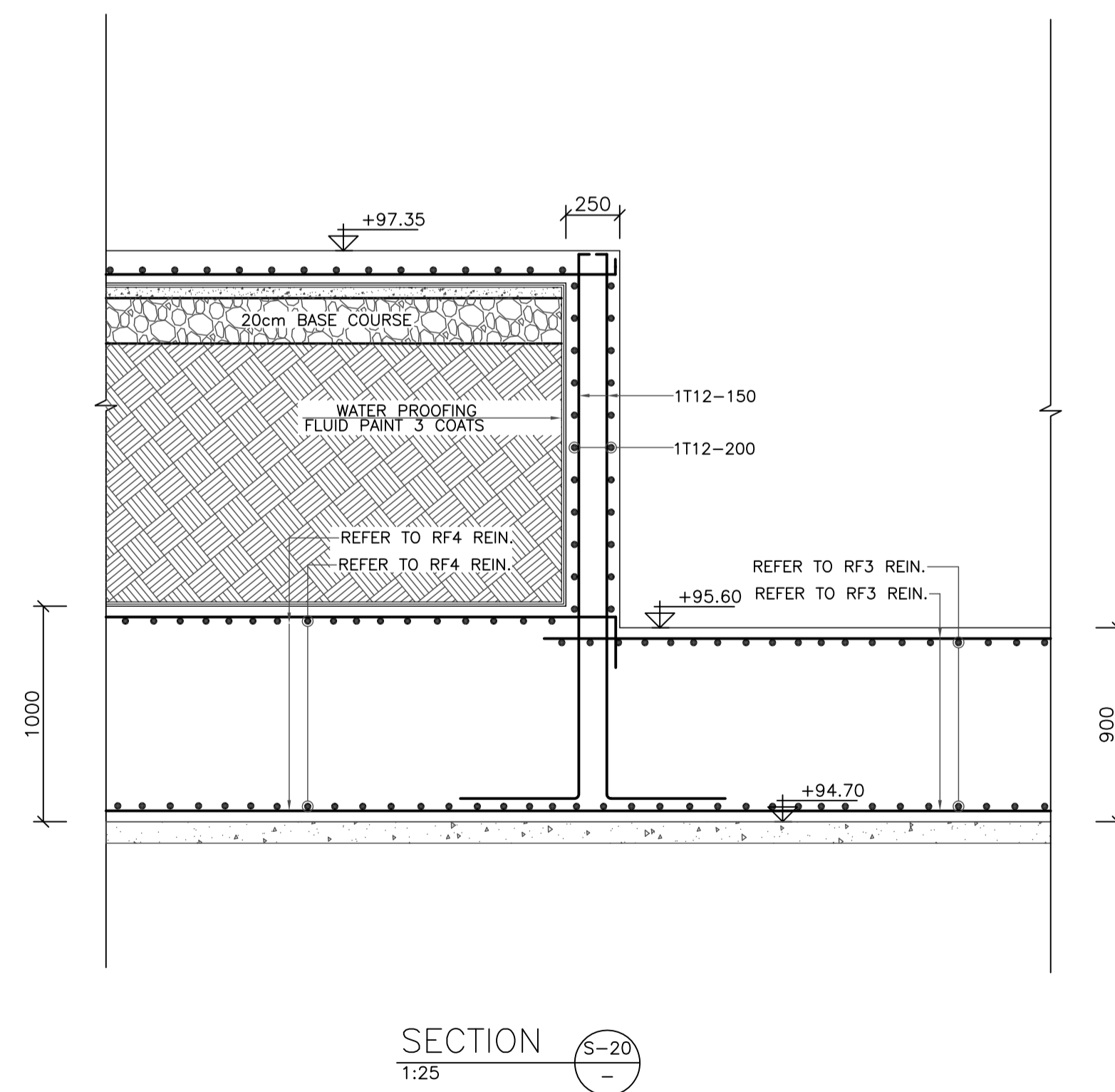
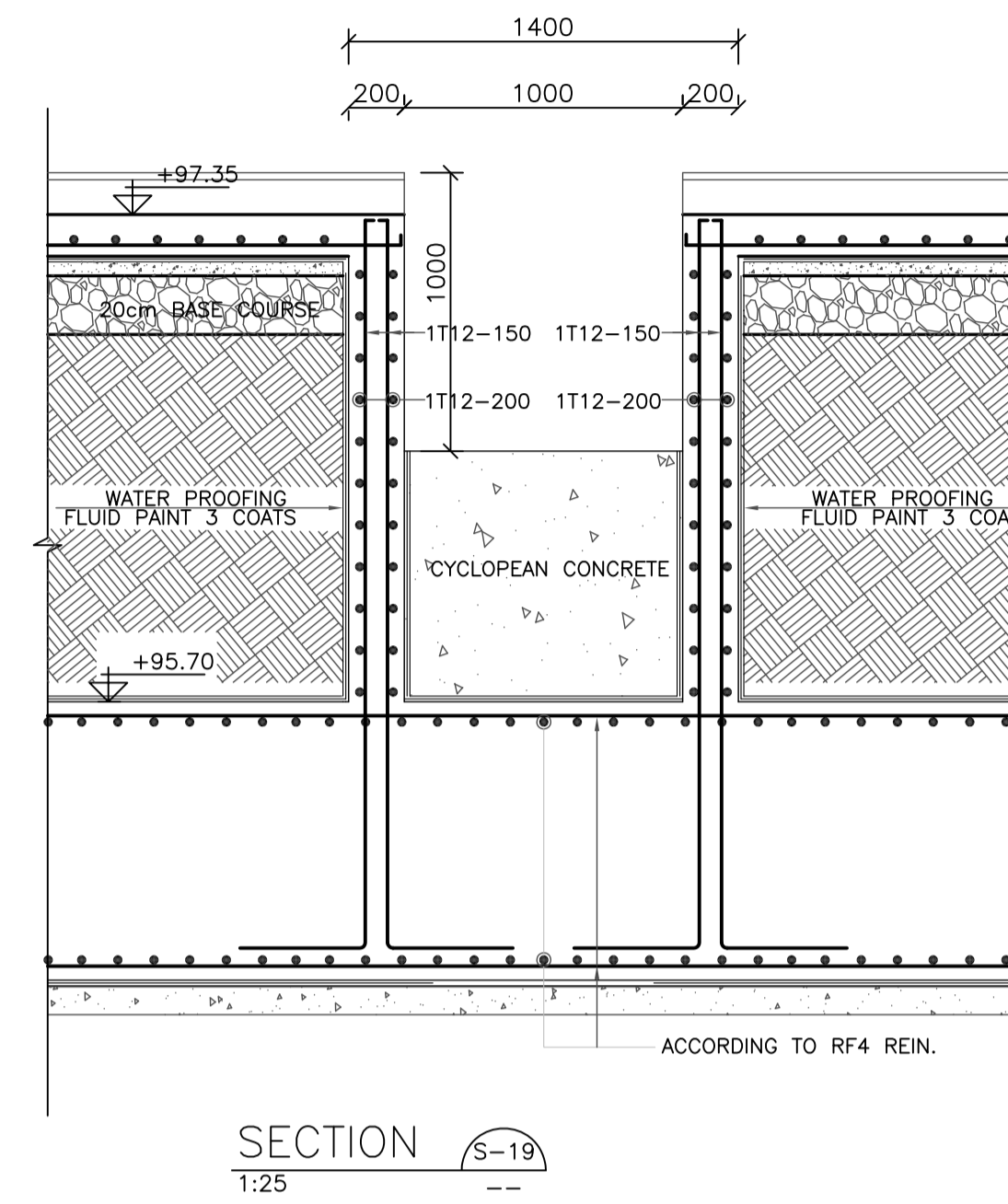
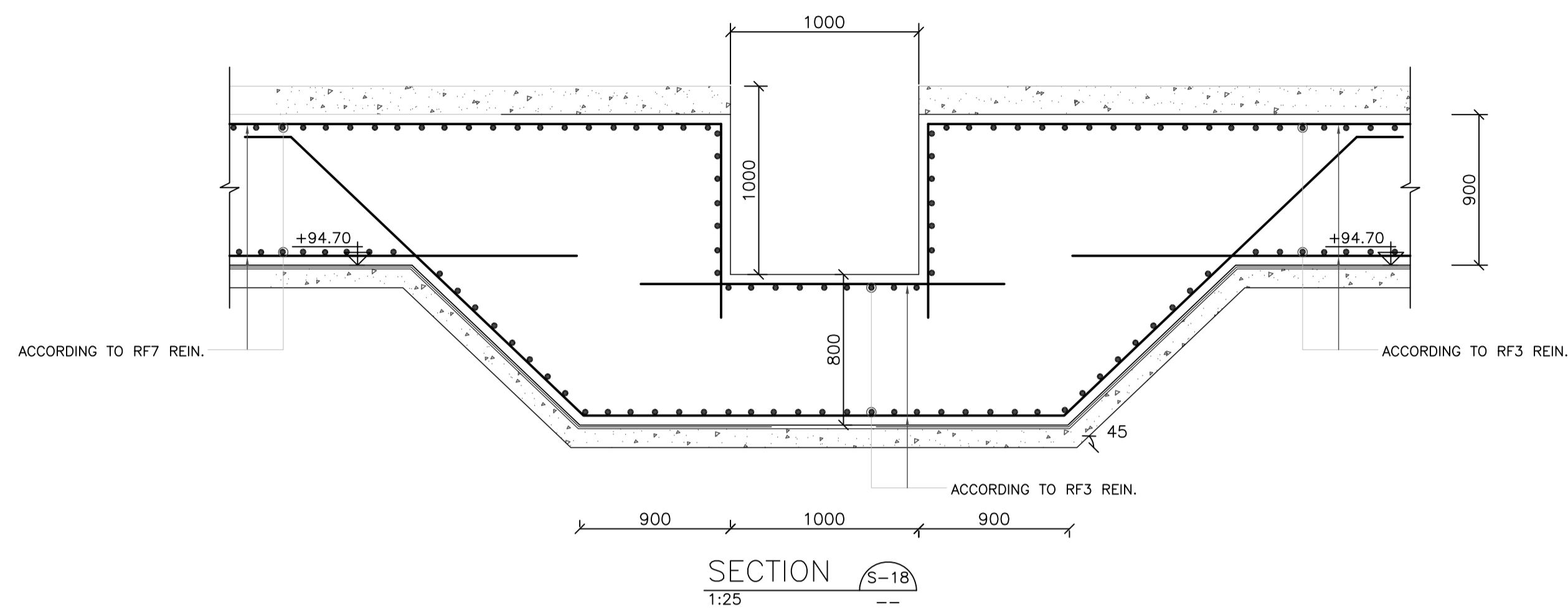
NOTES:



PHASE III	UM AL DANANIR BASIC MIXED (AMMAN)
PACKAGE 1	SCHOOLS FOR A KNOWLEDGE ECONOMY PROJECT (USAID SKEP)

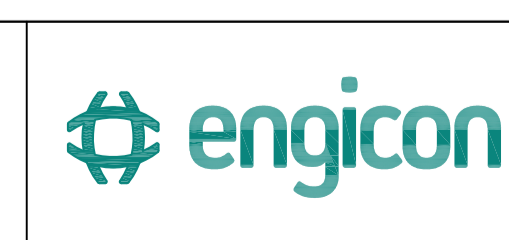
DRAWING NAME:		FOUNDATION SECTIONS-5-
Design:	A.K.H.	Drawn: CAD
SCALE:	1/25	Date: JUNE 2020
Checked:	R.K.	Approved:
PLOT No	LOCATION	BASIN NO
568	UM AL DANANIR	002-ALQESHANEYEH

DRAWING NUMBER:		SKEP 13-SFD204
Rev.:	0	North:



REV.	DATE	REMARKS
0	JUNE 2020	VOL. IV - TENDER DRAWINGS

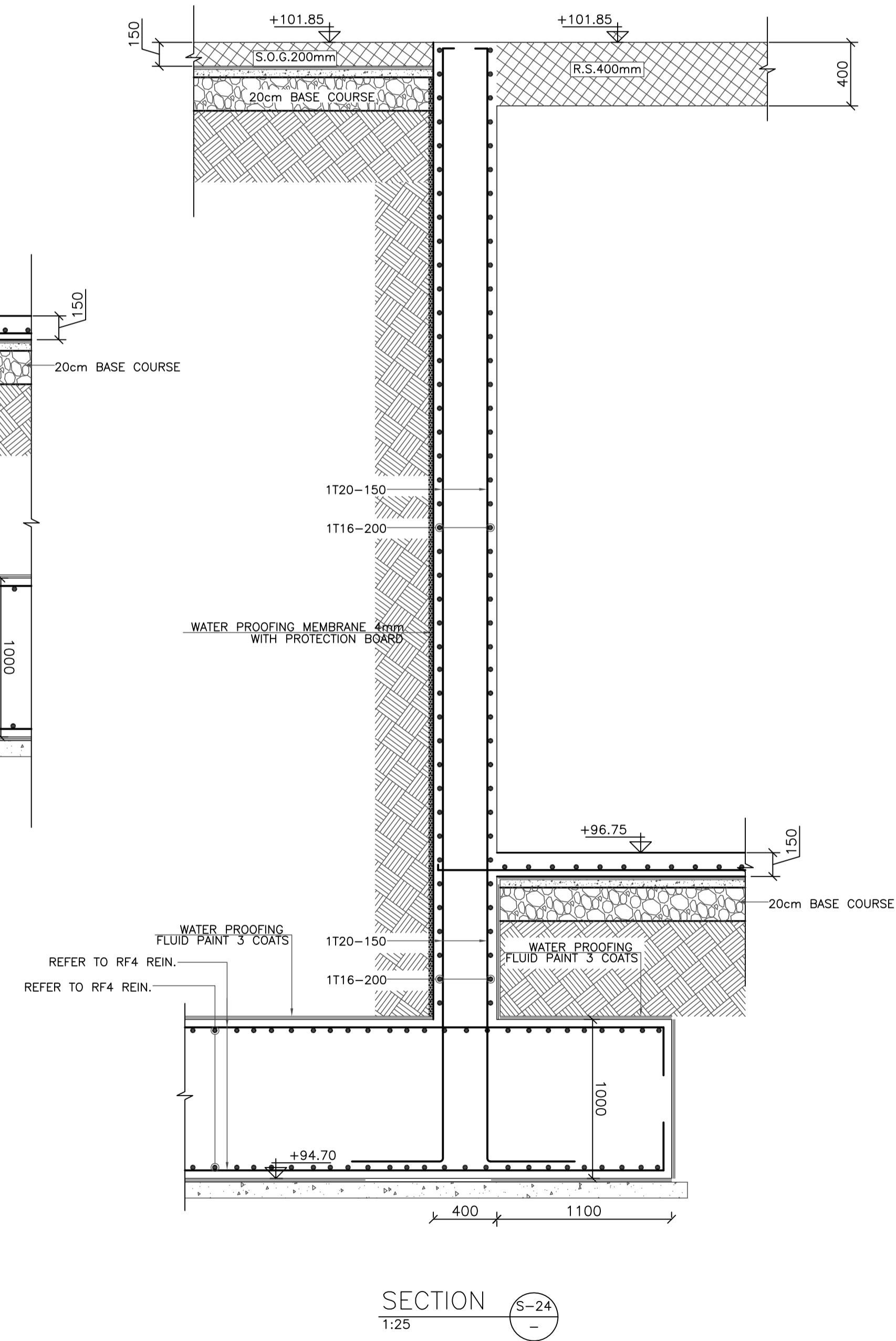
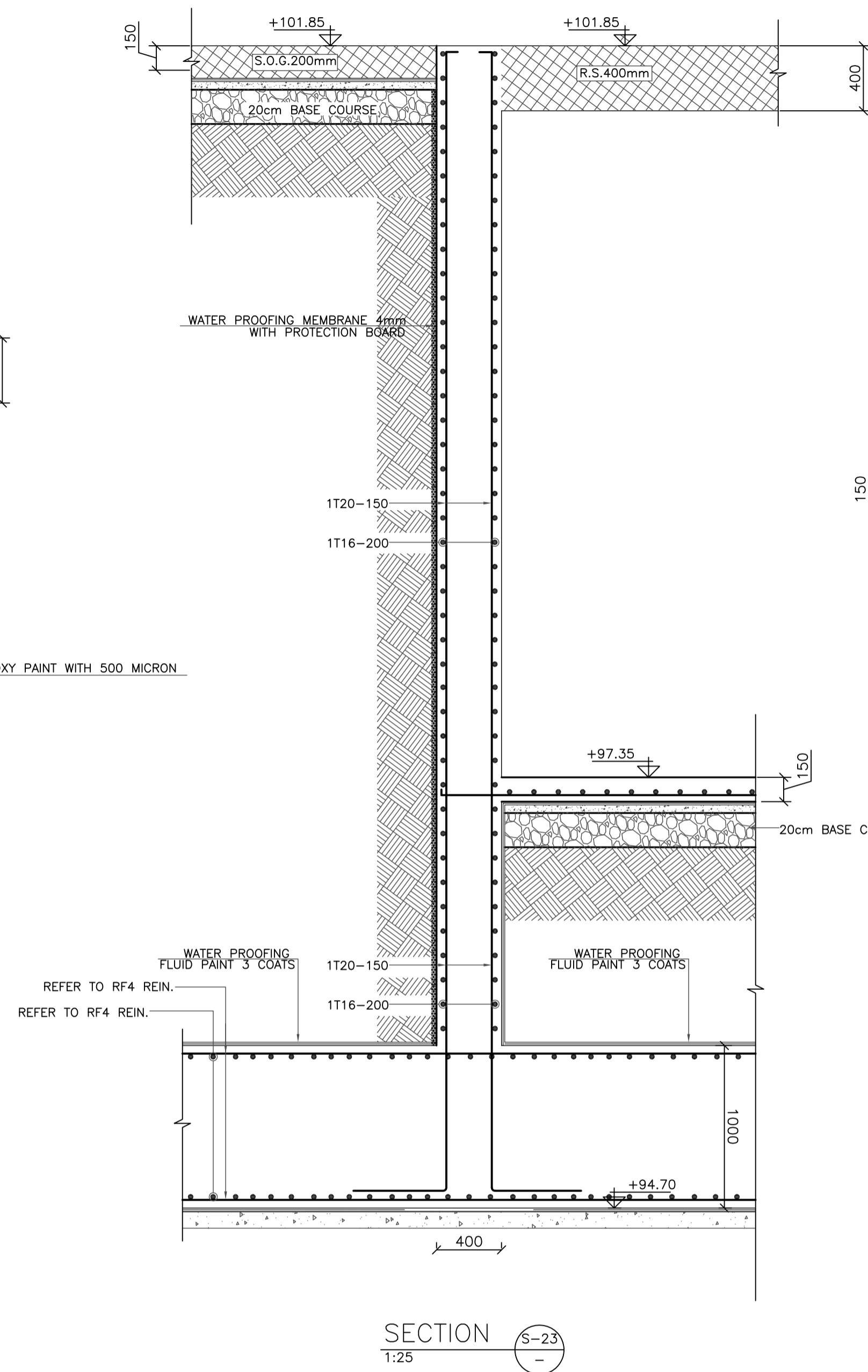
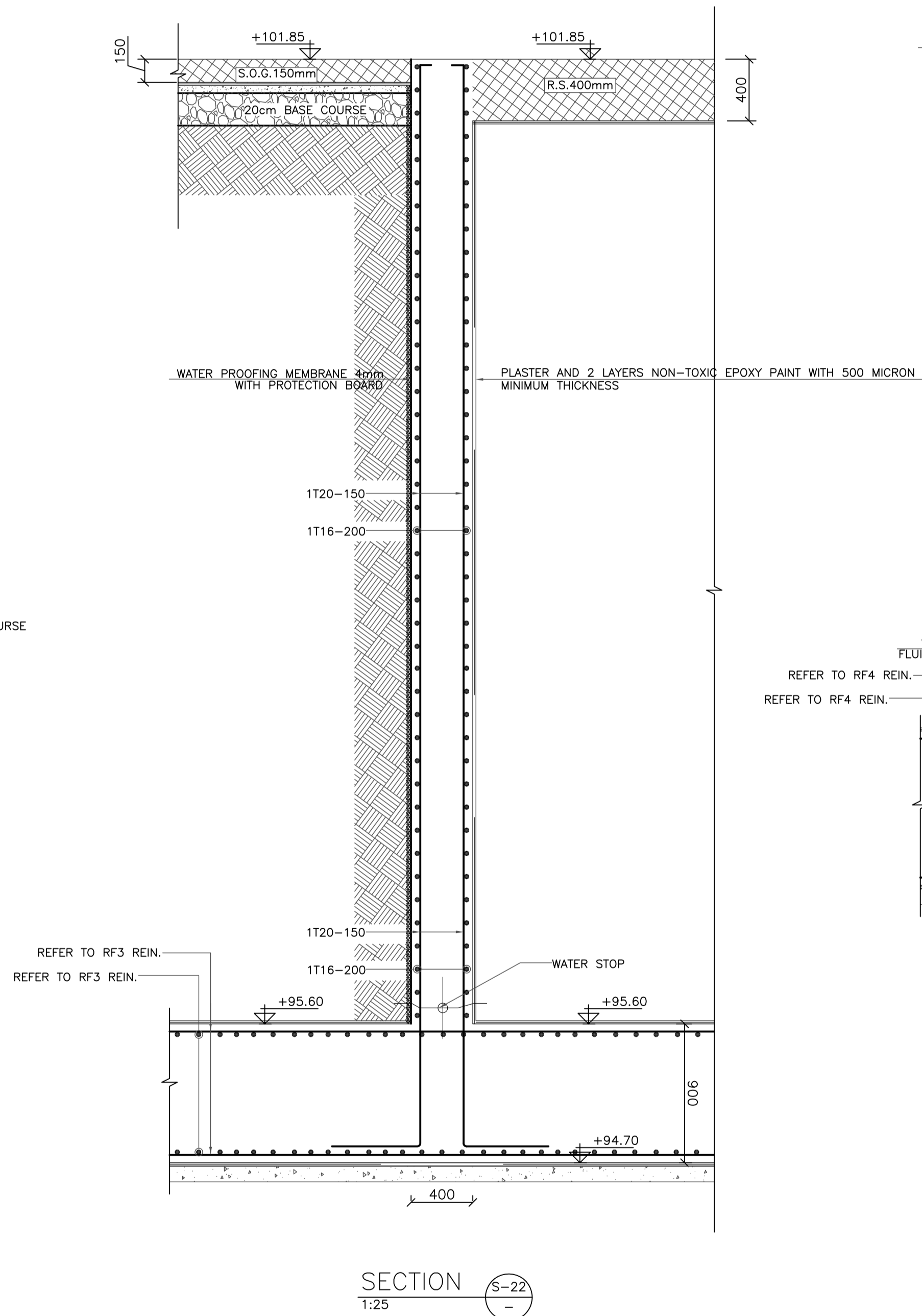
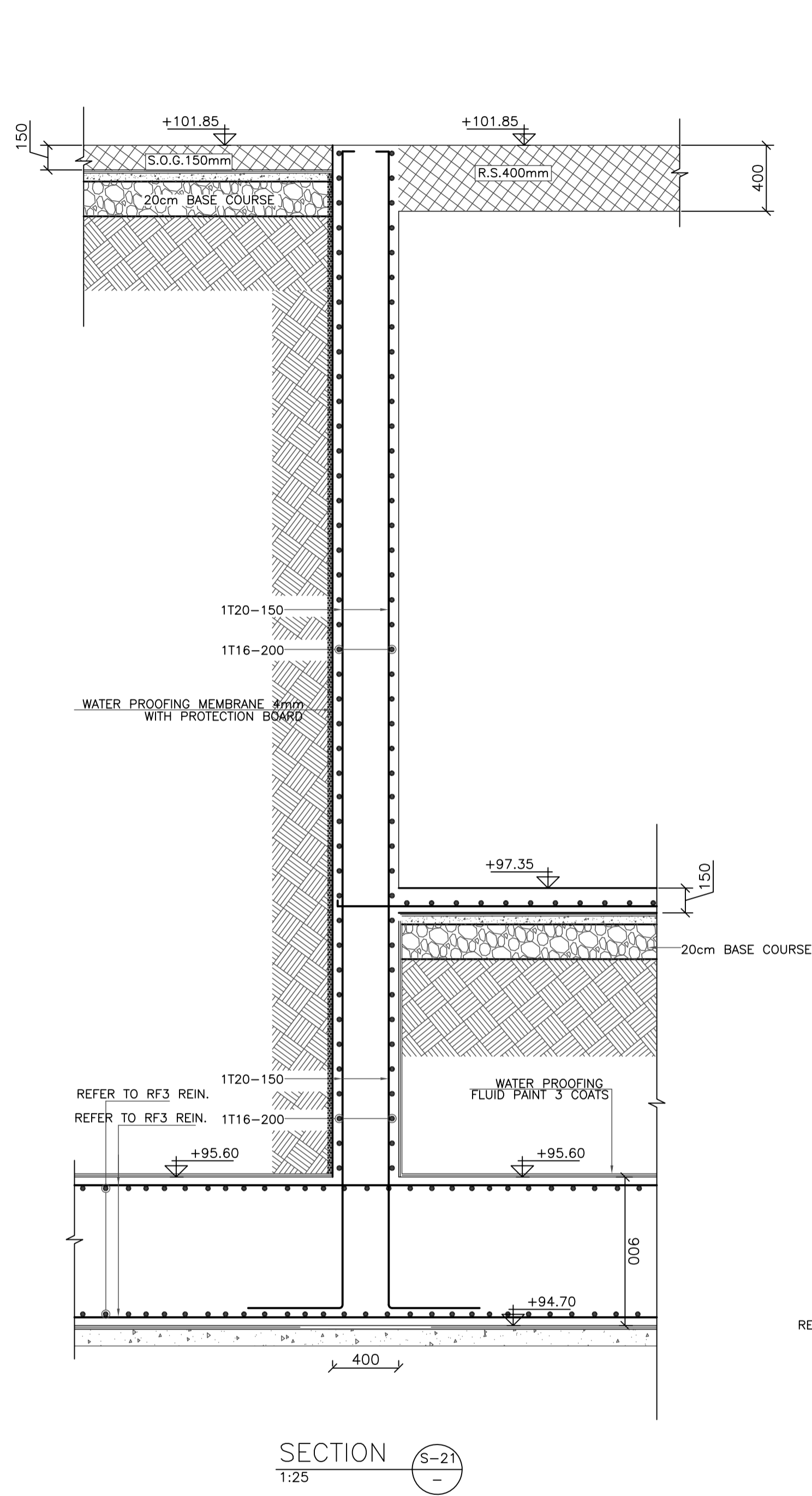
NOTES:



PHASE III
PACKAGE 1
UM AL DANANIR BASIC MIXED (AMMAN)
SCHOOLS FOR A KNOWLEDGE ECONOMY PROJECT (USAID SKEP)

DRAWING NAME:
FOUNDATION SECTIONS-6-
PLOT No 568
LOCATION UM AL DANANIR
BASIN NO 002-ALQESHANEYEH

Design: A.K.H.
SCALE: 1/25
Date: JUNE 2020
DRAWING NUMBER: SKEP 13-SFD205
Checked: R.K.
Approved:
Rev.: 0



REV.	DATE	REMARKS
0	JUNE 2020	VOL. IV - TENDER DRAWINGS

NOTES:



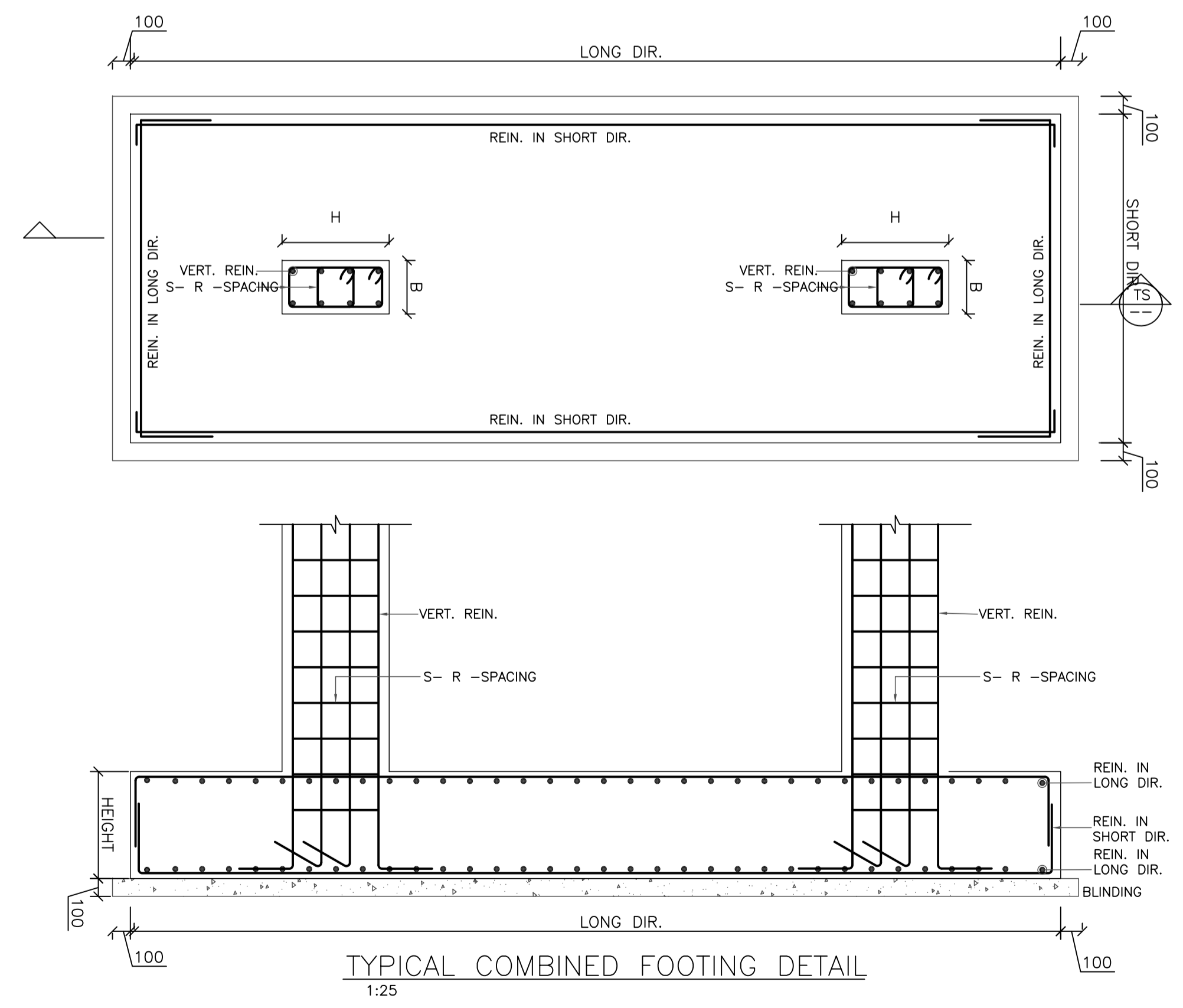
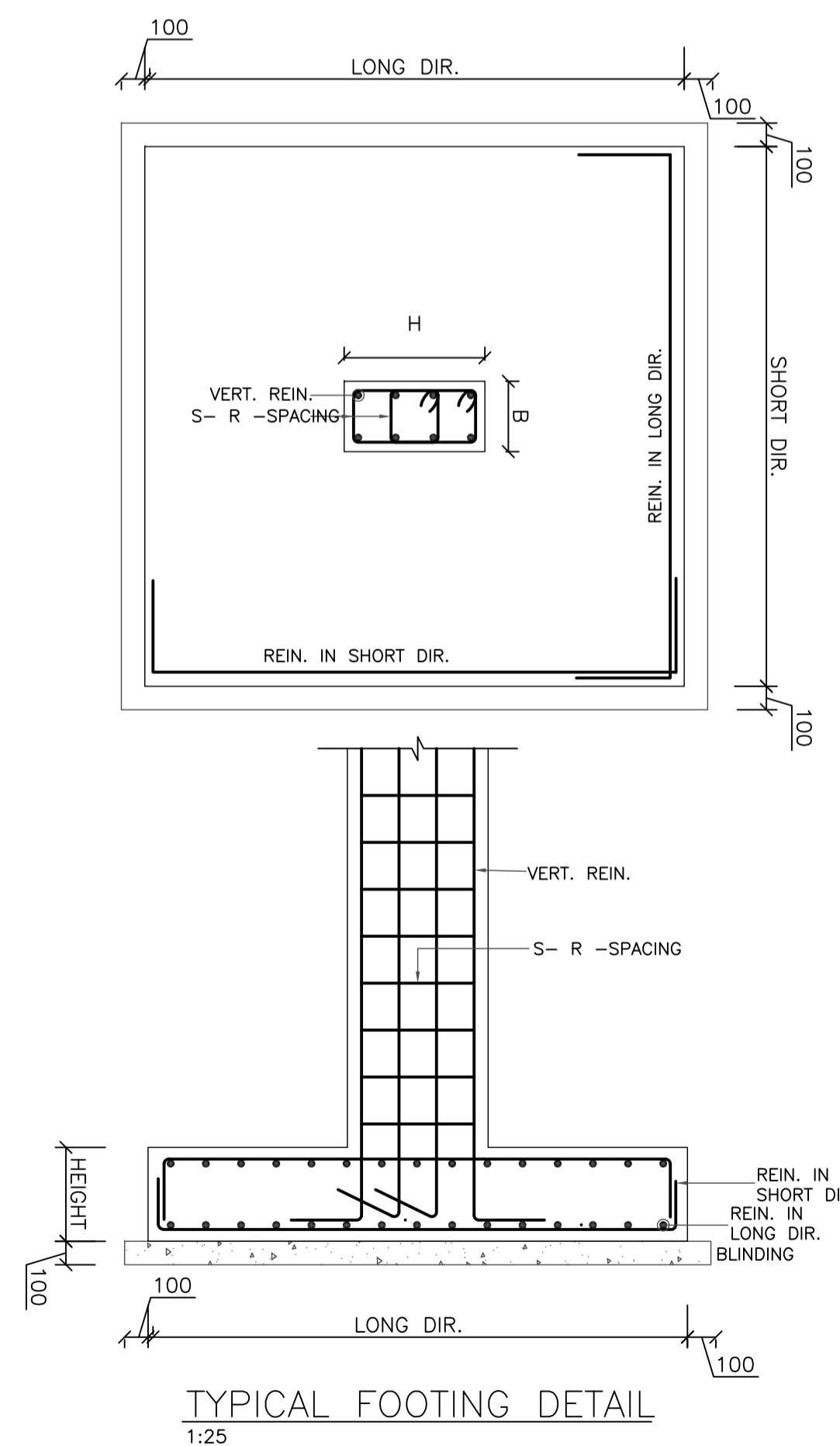
PHASE III
PACKAGE 1
UM AL DANANIR BASIC MIXED (AMMAN)
SCHOOLS FOR A KNOWLEDGE ECONOMY PROJECT (USAID SKEP)

DRAWING NAME:
FOUNDATION SECTIONS-7-
Design: A.K.H.
SCALE: 1/25
Date: JUNE 2020
DRAWING NUMBER: SKEP 13-SFD206

Drawn: CAD
Checked: R.K.
Approved:
Rev.: 0

REINFORCEMENT OF FOOTINGS TABLE

FOOTING DIMENSIONS				BOTTOM REINFORCEMENT		TOP REINFORCEMENT		SIDE REINFORCEMENT
FOOT. NO.	LENGTH(m)	WIDTH(m)	HEIGHT(m)	REIN. IN LONG DIR.	REIN. IN SHORT DIR.	REIN. IN LONG DIR.	REIN. IN SHORT DIR.	
RF1	AS SHOWN ON PLAN		1.0	1T25-150	1T25-150	1T20-150	1T20-150	1T12-200
RF2	AS SHOWN ON PLAN		0.9	1T25-150	1T25-150	1T25-150	1T25-150	1T12-200
RF3	AS SHOWN ON PLAN		0.9	1T25-150	1T25-150	1T20-150	1T20-150	1T12-200
RF4	AS SHOWN ON PLAN		1.0	1T25-150	1T25-150	1T25-150	1T25-150	1T12-200
RF5	AS SHOWN ON PLAN		0.9	1T20-150	1T20-150	1T20-150	1T20-150	1T12-200



REV.	DATE	REMARKS
0	JUNE 2020	VOL. IV - TENDER DRAWINGS

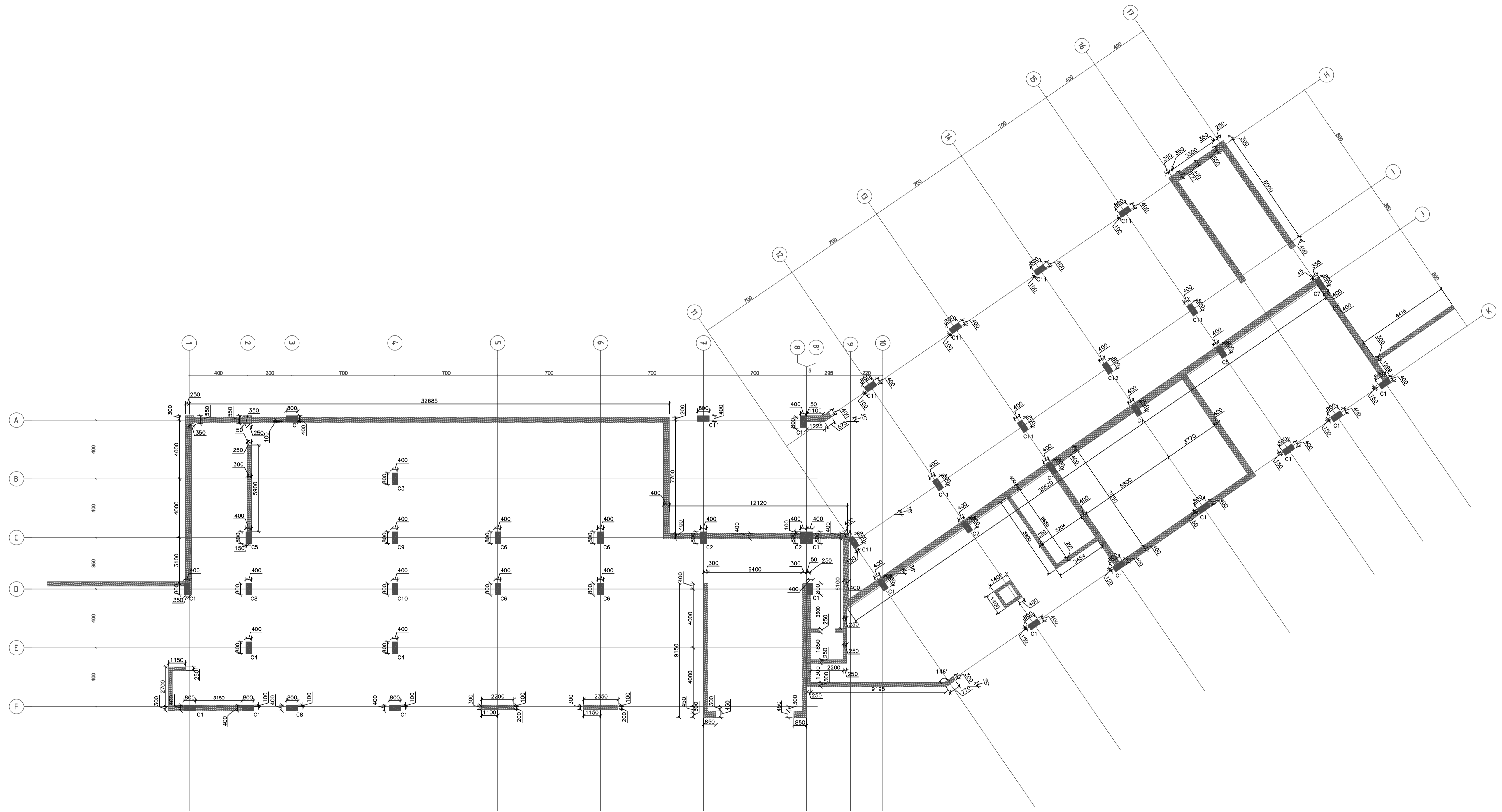
NOTES:



PHASE III
PACKAGE 1
UM AL DANANIR BASIC MIXED (AMMAN)
SCHOOLS FOR A KNOWLEDGE ECONOMY PROJECT (USAID SKEP)

DRAWING NAME:
FOUNDATION REINFORCEMENT TABLE
PLOT No 568
LOCATION UM AL DANANIR
BASIN NO 002-ALQESHANEYEH

Design: A.KH.
SCALE: AS SHOWN
Date: JUNE 2020
Checked: R.K.
Approved:
DRAWING NUMBER: SKEP 13-SFD208
Rev.: 0



BASEMENT FLOOR COLUMNS LAYOUT
1:100

REV.	DATE	REMARKS
0	JUNE 2020	VOL. IV - TENDER DRAWINGS

NOTES:

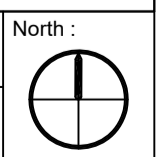


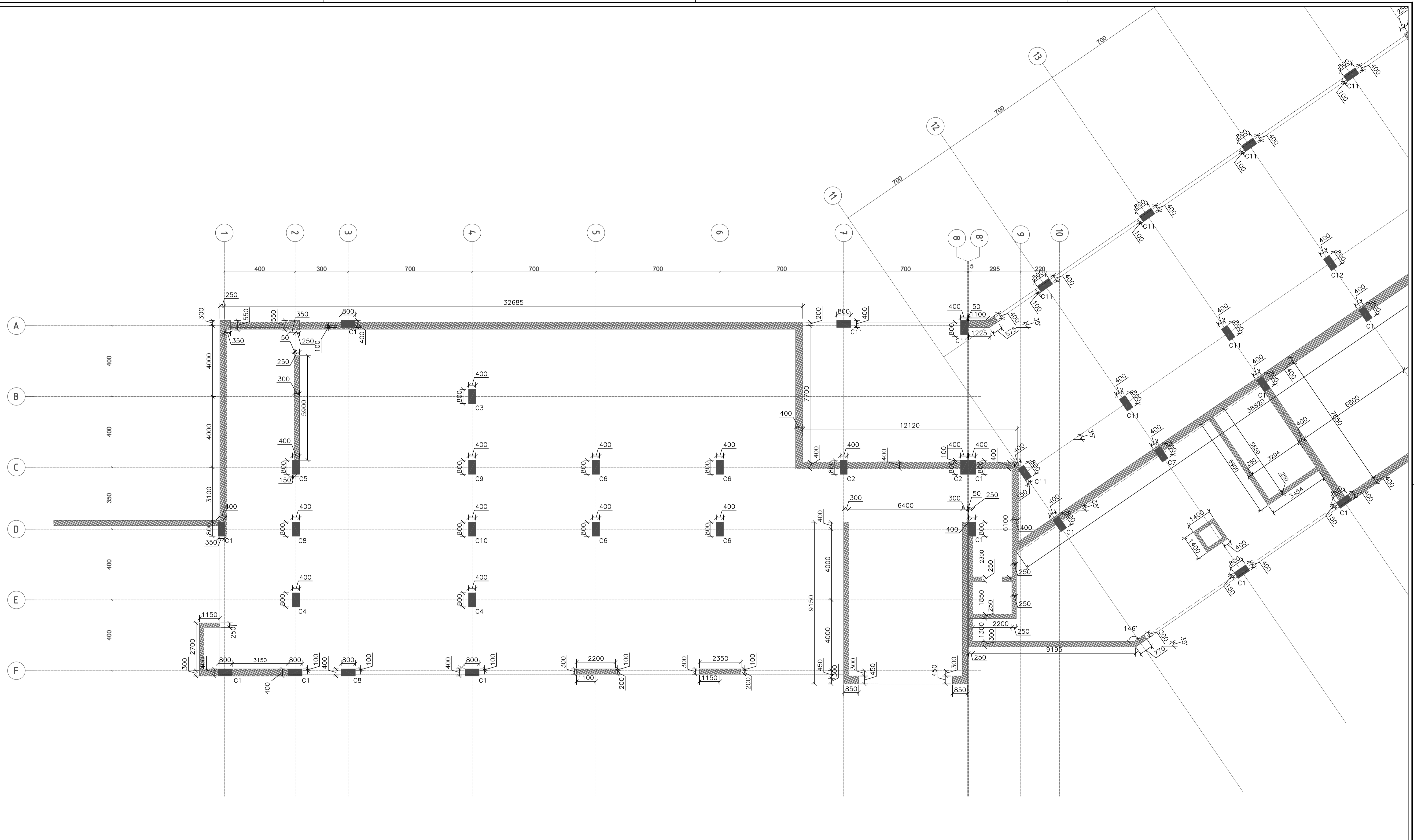
PHASE III
PACKAGE 1
UM AL DANANIR BASIC MIXED (AMMAN)
SCHOOLS FOR A KNOWLEDGE ECONOMY PROJECT (USAID SKEP)

DRAWING NAME:
BASEMENT FLOOR COLUMNS LAYOUT-1-
PLOT No 568
LOCATION UM AL DANANIR
BASIN NO 002-ALQESHANEYEH

Design: A.K.H.
SCALE: 1/150
Date: JUNE 2020
DRAWING NUMBER: SKEP 13-SCP300

Drawn: CAD
Checked: R.K
Approved:
Rev.: 0





BASEMENT FLOOR COLUMNS LAYOUT
1:100

REV.	DATE	REMARKS
0	JUNE 2020	VOL. IV - TENDER DRAWINGS

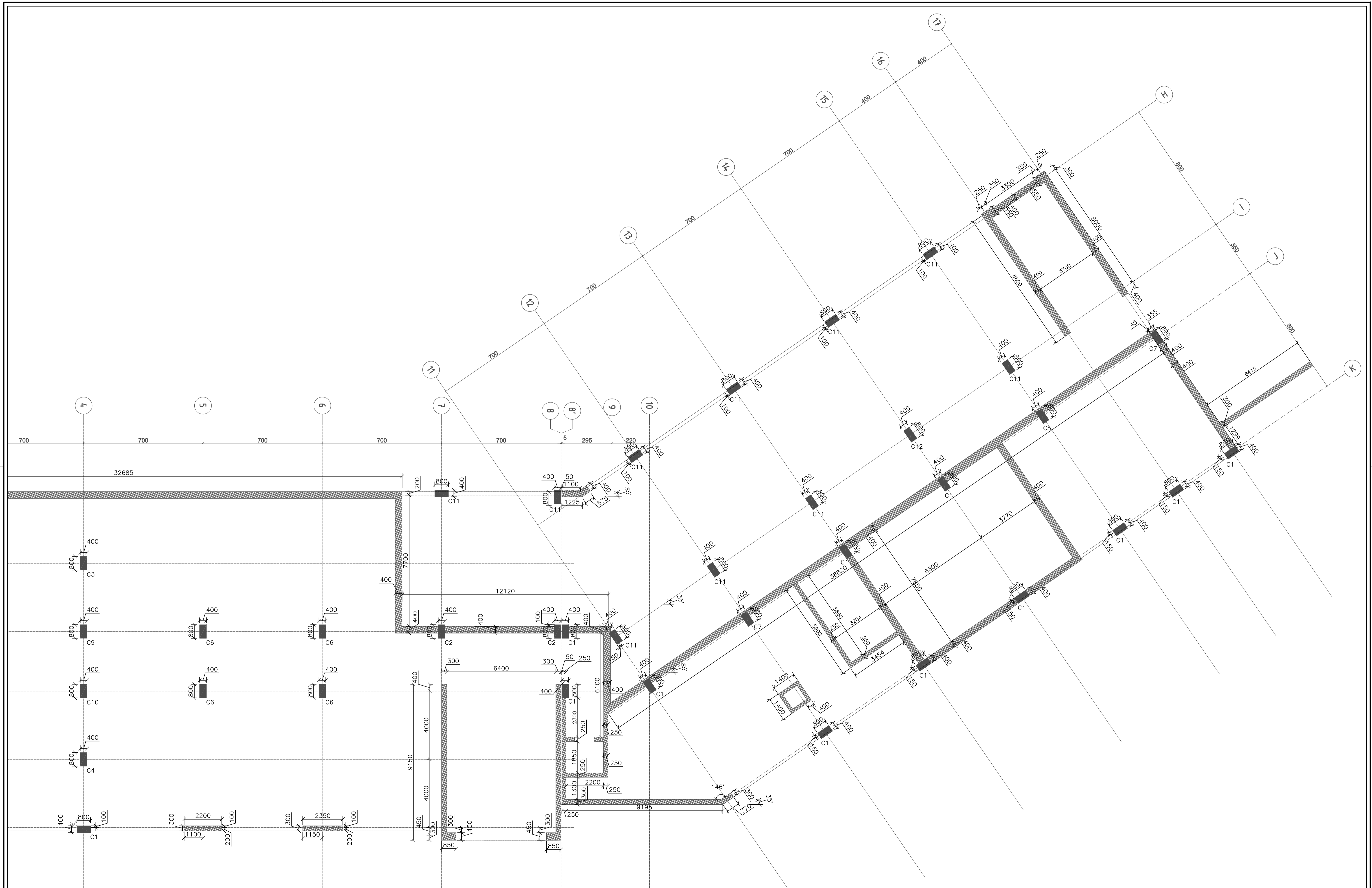
NOTES:



PHASE III
PACKAGE 1
UM AL DANANIR BASIC MIXED (AMMAN)
SCHOOLS FOR A KNOWLEDGE ECONOMY PROJECT (USAID SKEP)

DRAWING NAME: BASEMENT FLOOR COLUMNS LAYOUT-2-		
PLOT No 568	LOCATION UM AL DANANIR	BASIN NO 002-ALQESHANEYEH

Design: A.KH.	Drawn: CAD	Checked: R.K	North:
SCALE: 1/100	Date: JUNE 2020	Approved:	Rev.: 0
DRAWING NUMBER: SKEP 13-SCP301			



REV.	DATE	REMARKS
0	JUNE 2020	VOL. IV - TENDER DRAWINGS

NOTES:



PHASE III
PACKAGE 1

UM AL DANANIR BASIC MIXED (AMMAN)
SCHOOLS FOR A KNOWLEDGE ECONOMY PROJECT (USAID SKEP)

DRAWING NAME:
BASEMENT FLOOR COLUMNS LAYOUT-3-

DESIGN: A.K.H.
SCALE: 1/100

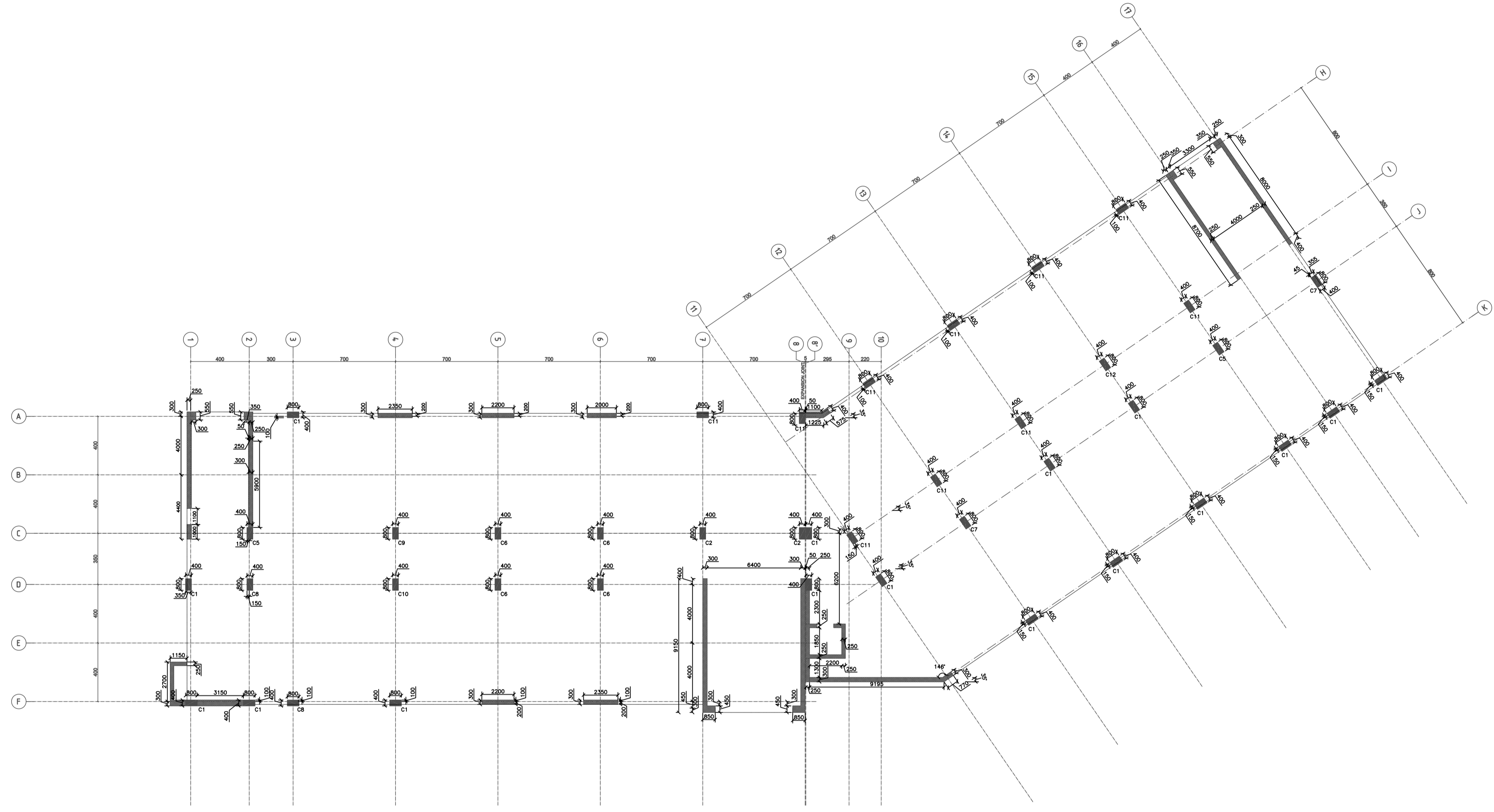
LOCATION: UM AL DANANIR
BASIN NO: 002-ALQESHANEYEH

Design: A.K.H.
Date: JUNE 2020

Drawn: CAD
Checked: R.K.
Approved:

DRAWING NUMBER: SKEP 13-SCP302

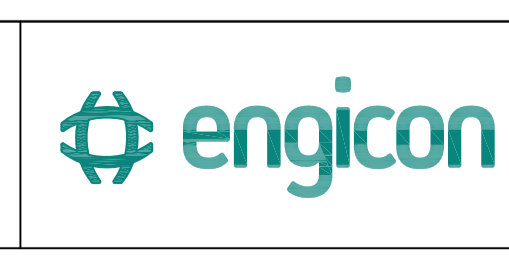
Rev.: 0



GROUND FLOOR COLUMNS LAYOUT
1/100

REV.	DATE	REMARKS
0	JUNE 2020	VOL. IV - TENDER DRAWINGS

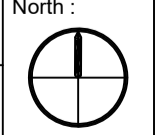
NOTES:

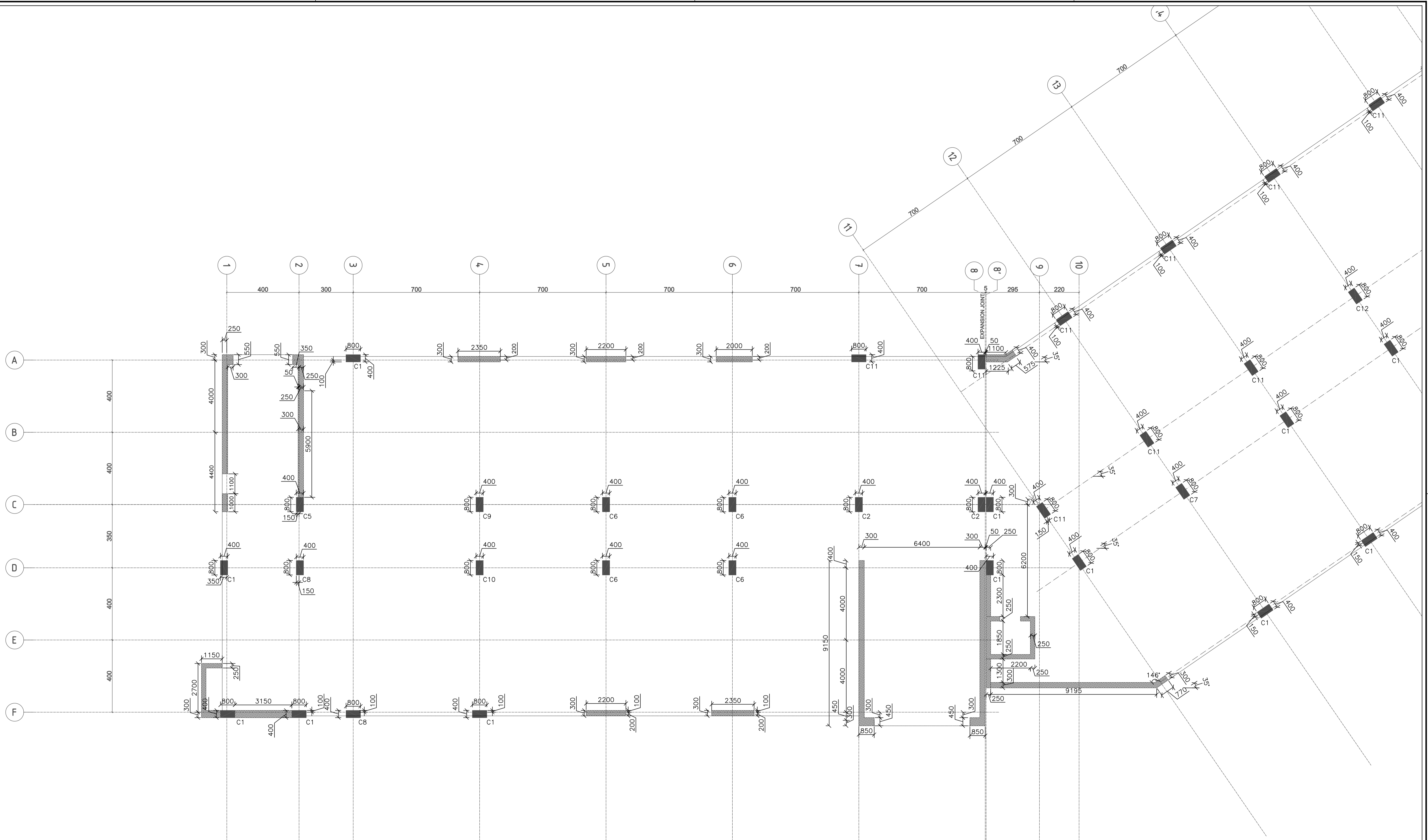


PHASE III
PACKAGE 1
UM AL DANANIR BASIC MIXED (AMMAN)
SCHOOLS FOR A KNOWLEDGE ECONOMY PROJECT (USAID SKEP)

DRAWING NAME:
GROUND FLOOR COLUMNS LAYOUT-1
PLOT No 568
LOCATION UM AL DANANIR
BASIN NO 002-ALQESHANEYEH

Design: A.K.H.
SCALE: 1/200
Date: JUNE 2020
DRAWING NUMBER: SKEP 13-SCP303
Drawn: CAD
Checked: R.K
Approved:
Rev.: 0





GROUND FLOOR COLUMNS LAYOUT
1:100

REV.	DATE	REMARKS
0	JUNE 2020	VOL. IV - TENDER DRAWINGS

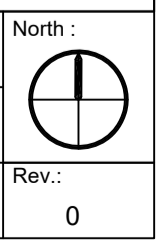
NOTES:

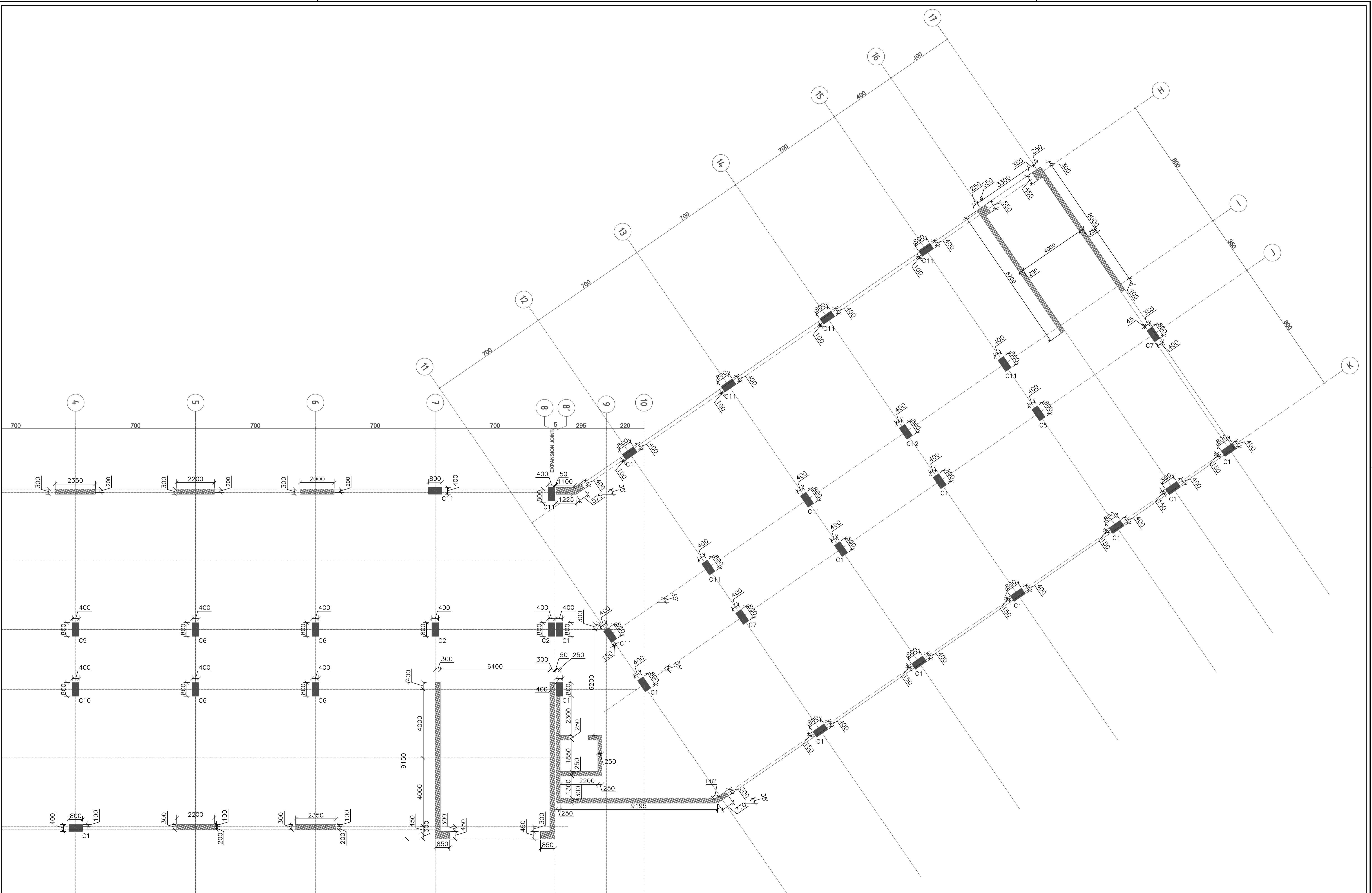


PHASE III	UM AL DANANIR BASIC MIXED (AMMAN)
PACKAGE 1	SCHOOLS FOR A KNOWLEDGE ECONOMY PROJECT (USAID SKEP)

DRAWING NAME:	GROUND FLOOR COLUMNS LAYOUT-2
DESIGN:	A.KH.
DRAWN:	CAD
CHECKED:	R.K
SCALE:	1/100
DATE:	JUNE 2020
DRAWING NUMBER:	SKEP 13-SCP304

PLOT No	LOCATION	BASIN NO	Rev.:
568	UM AL DANANIR	002-ALQESHANEYEH	0





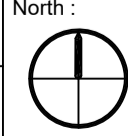
REV.	DATE	REMARKS
0	JUNE 2020	VOL. IV - TENDER DRAWINGS

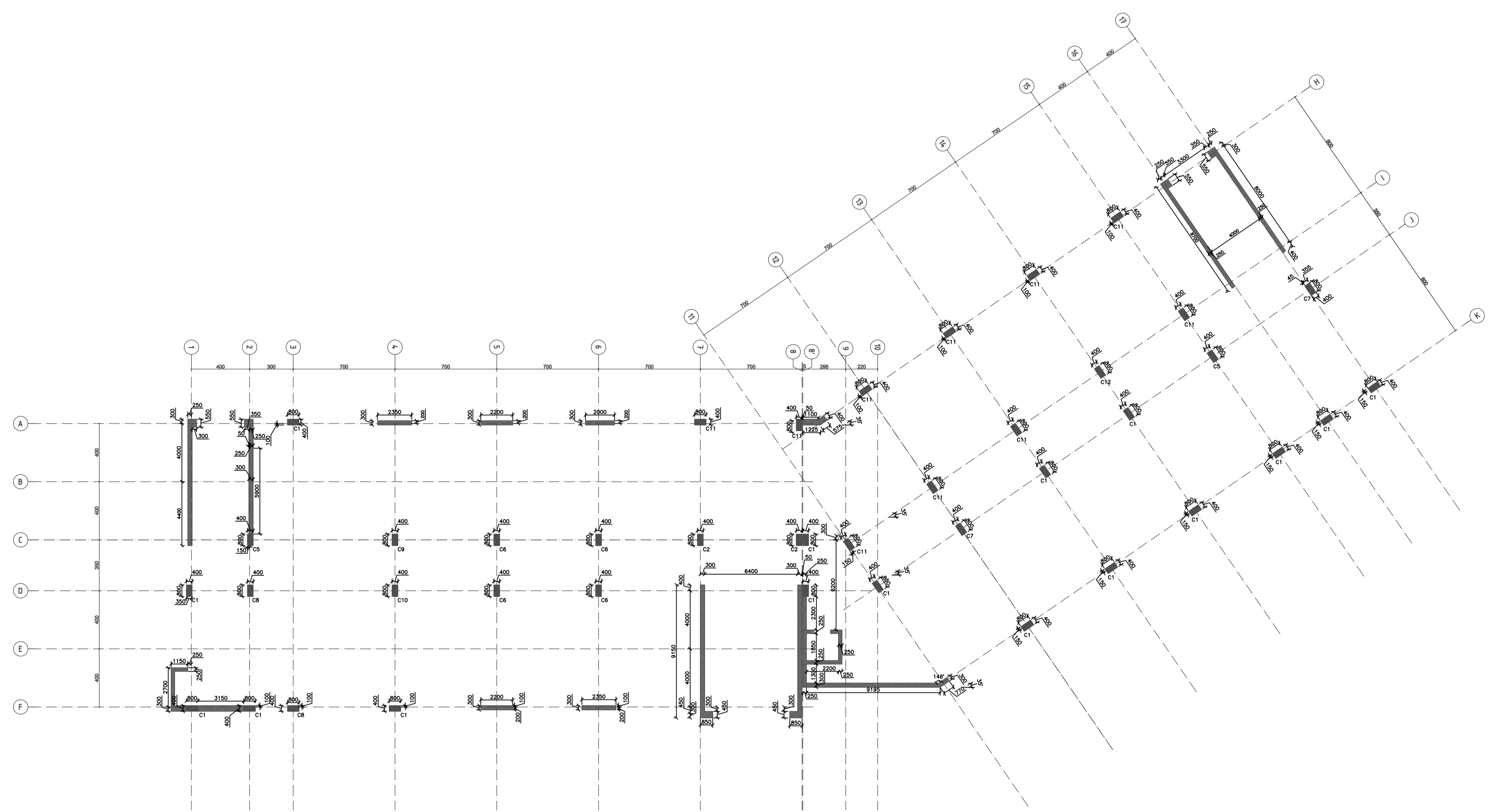
NOTES:



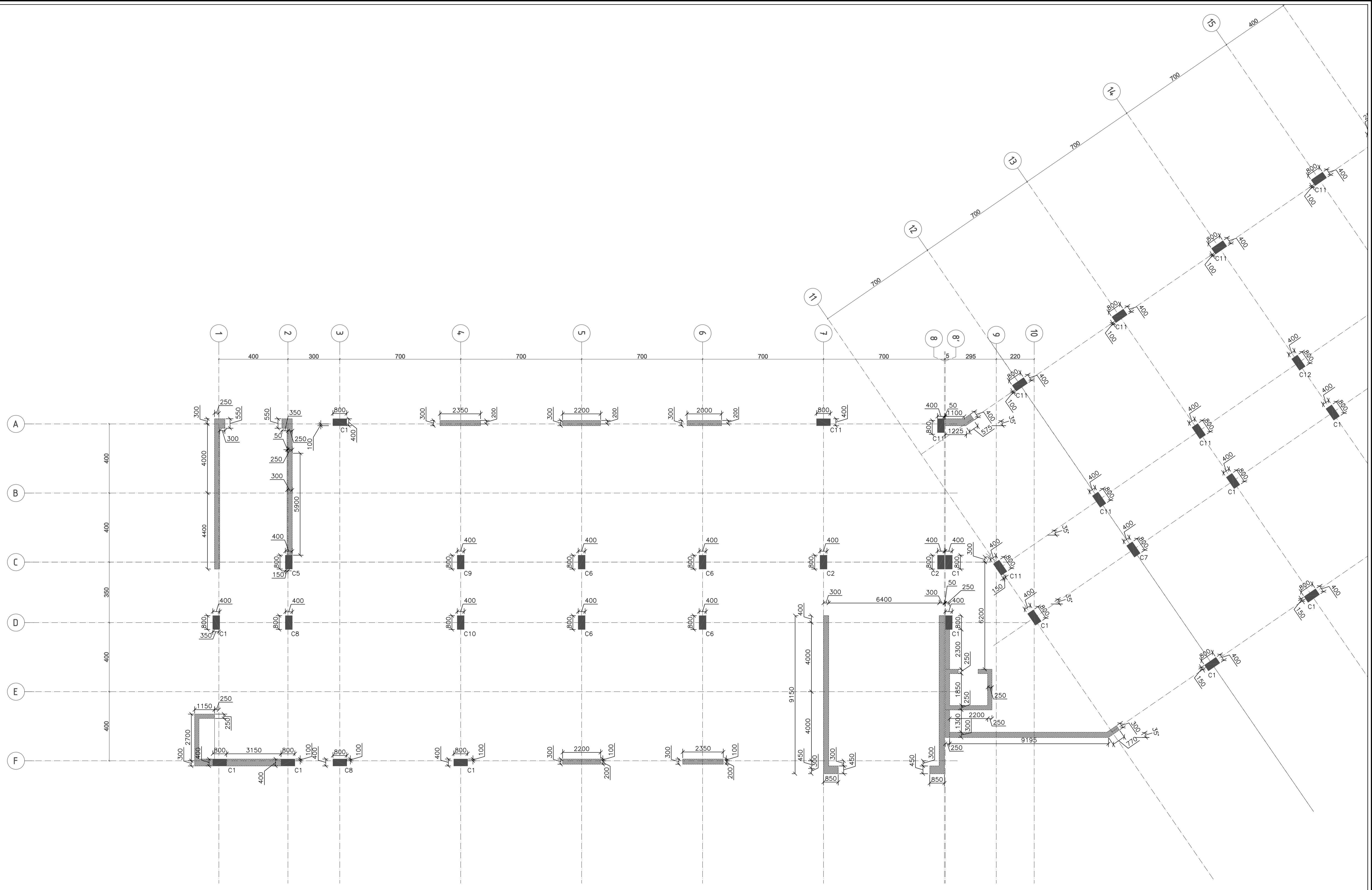
PHASE III
PACKAGE 1
UM AL DANANIR BASIC MIXED (AMMAN)
SCHOOLS FOR A KNOWLEDGE ECONOMY PROJECT (USAID SKEP)

DRAWING NAME:
GROUND FLOOR COLUMNS LAYOUT-3
PLOT No 568
LOCATION UM AL DANANIR
BASIN NO 002-ALQESHANEYEH

Design: A.K.H.
SCALE: 1/100
DRAWING NUMBER: SKEP 13-SCP305
Drawn: CAD
Date: JUNE 2020
Checked: R.K.
Approved:
North: 
Rev.: 0



FIRST FLOOR COLUMNS LAYOUT
1160



REV.	DATE	REMARKS
0	JUNE 2020	VOL. IV - TENDER DRAWINGS

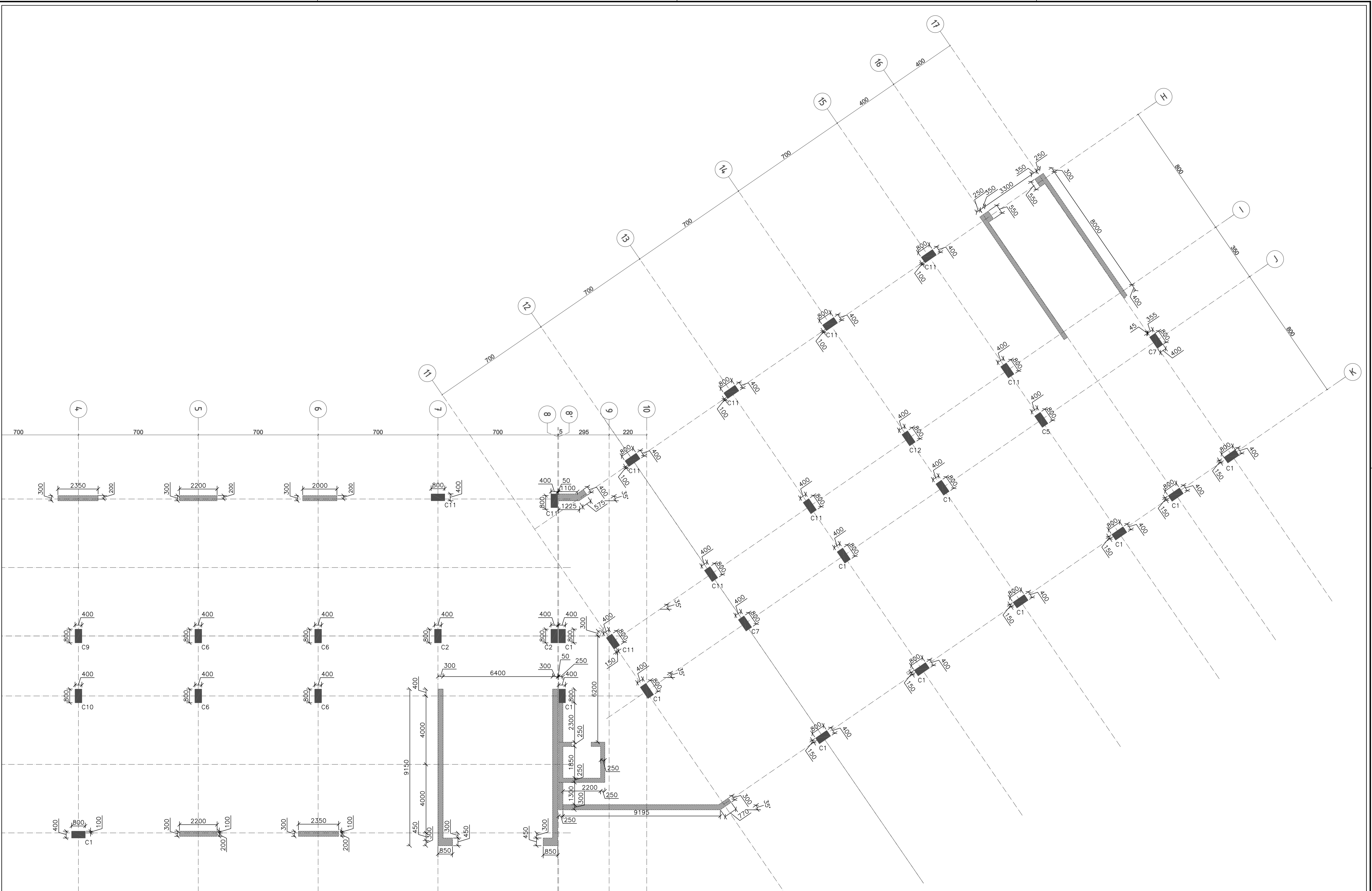
NOTES:



PHASE III
PACKAGE 1
UM AL DANANIR BASIC MIXED (AMMAN)
SCHOOLS FOR A KNOWLEDGE ECONOMY PROJECT (USAID SKEP)

DRAWING NAME:
FIRST FLOOR COLUMNS LAYOUT-2-
PLOT No 568
LOCATION UM AL DANANIR
BASIN NO 002-ALQESHANEYEH

Design: A.KH.
Scale: 1/100
Date: JUNE 2020
Drawing Number: SKEP 13-SCP307
Checked: R.K.
Approved:
Rev.: 0



REV.	DATE	REMARKS
0	JUNE 2020	VOL. IV - TENDER DRAWINGS

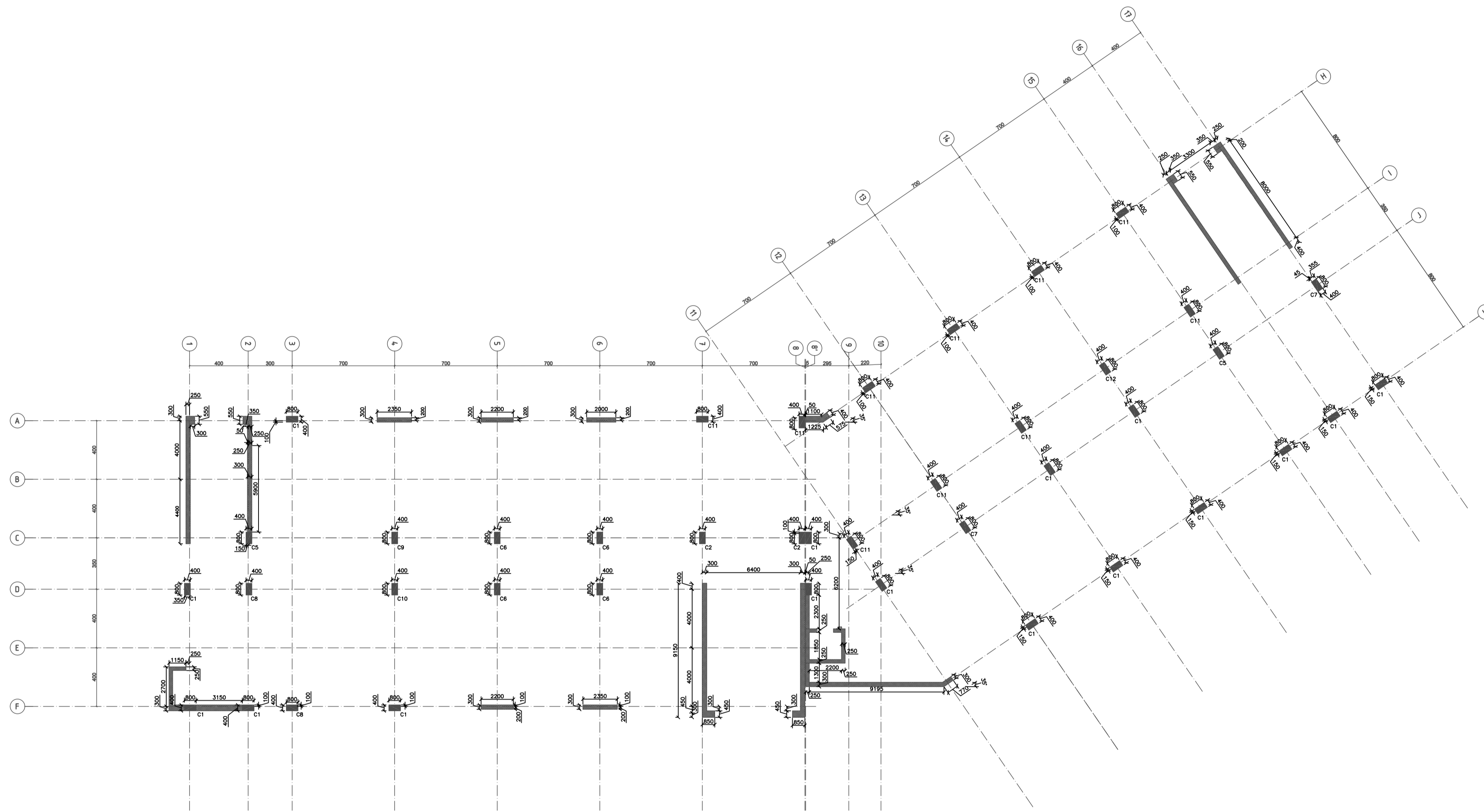
NOTES:



PHASE III
PACKAGE 1
UM AL DANANIR BASIC MIXED (AMMAN)
SCHOOLS FOR A KNOWLEDGE ECONOMY PROJECT (USAID SKEP)

DRAWING NAME:
FIRST FLOOR COLUMNS LAYOUT-3-
PLOT No 568
LOCATION UM AL DANANIR
BASIN NO 002-ALQESHANEYEH

Design: A.K.H.
SCALE: 1/100
Date: JUNE 2020
DRAWING NUMBER: SKEP 13-SCP308
Drawn: CAD
Checked: R.K.
Approved:
Rev.: 0



SECOND FLOOR COLUMNS LAYOUT
1/100

REV.	DATE	REMARKS
0	JUNE 2020	VOL. IV - TENDER DRAWINGS

NOTES:

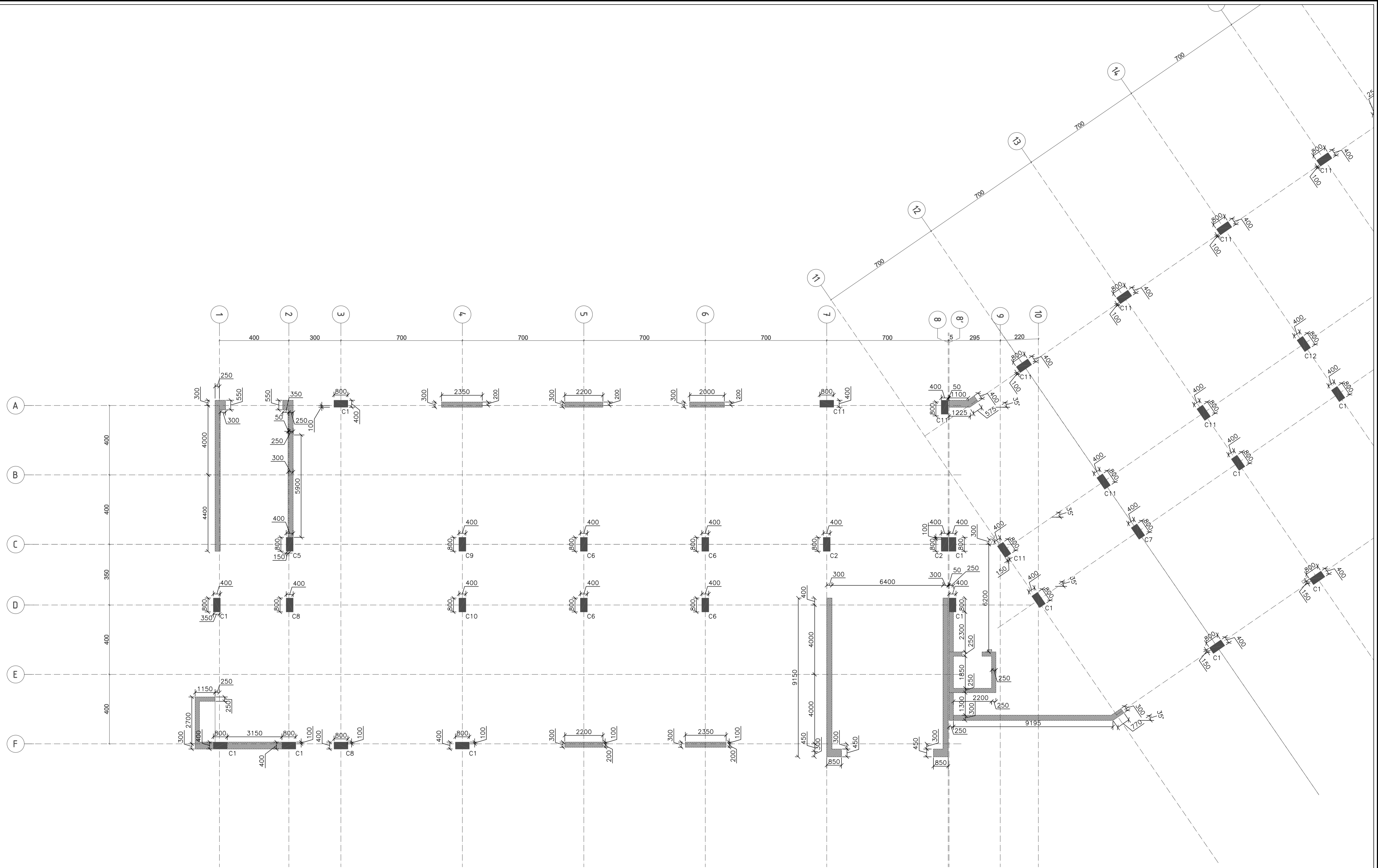


PHASE III
PACKAGE 1

UM AL DANANIR BASIC MIXED (AMMAN)
SCHOOLS FOR A KNOWLEDGE ECONOMY PROJECT (USAID SKEP)

DRAWING NAME: SECOND FLOOR COLUMNS LAYOUT-1		
PLOT No 568	LOCATION UM AL DANANIR	BASIN NO 002-ALQESHANEYEH

Design: A.K.H.	Drawn: CAD	Checked: R.K	North:
SCALE: 1/200		Date: JUNE 2020	Approved:
DRAWING NUMBER: SKEP 13-SCP309			Rev.: 0



REV.	DATE	REMARKS
0	JUNE 2020	VOL. IV - TENDER DRAWINGS

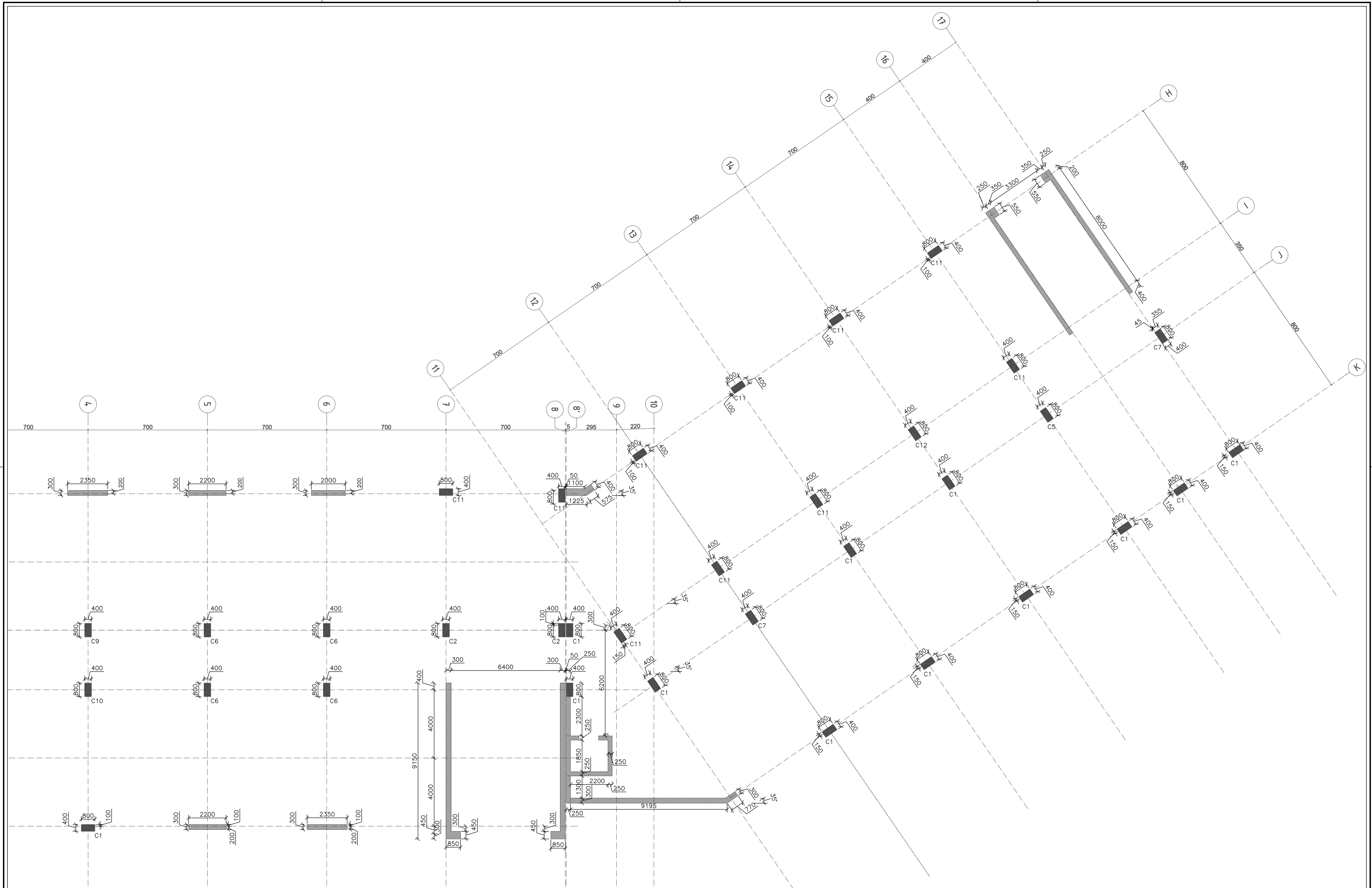
NOTES:



PHASE III
PACKAGE 1
UM AL DANANIR BASIC MIXED (AMMAN)
SCHOOLS FOR A KNOWLEDGE ECONOMY PROJECT (USAID SKEP)

DRAWING NAME:
SECOND FLOOR COLUMNS LAYOUT-2
PLOT No 568
LOCATION UM AL DANANIR
BASIN NO 002-ALQESHANEYEH

Design: R.K
Drawn: CAD
Date: JUNE 2020
Checked: R.K
Approved:
SCALE: 1/100
DRAWING NUMBER: SKEP 13-SCP310
Rev.: 0



REV.	DATE	REMARKS
0	JUNE 2020	VOL. IV - TENDER DRAWINGS

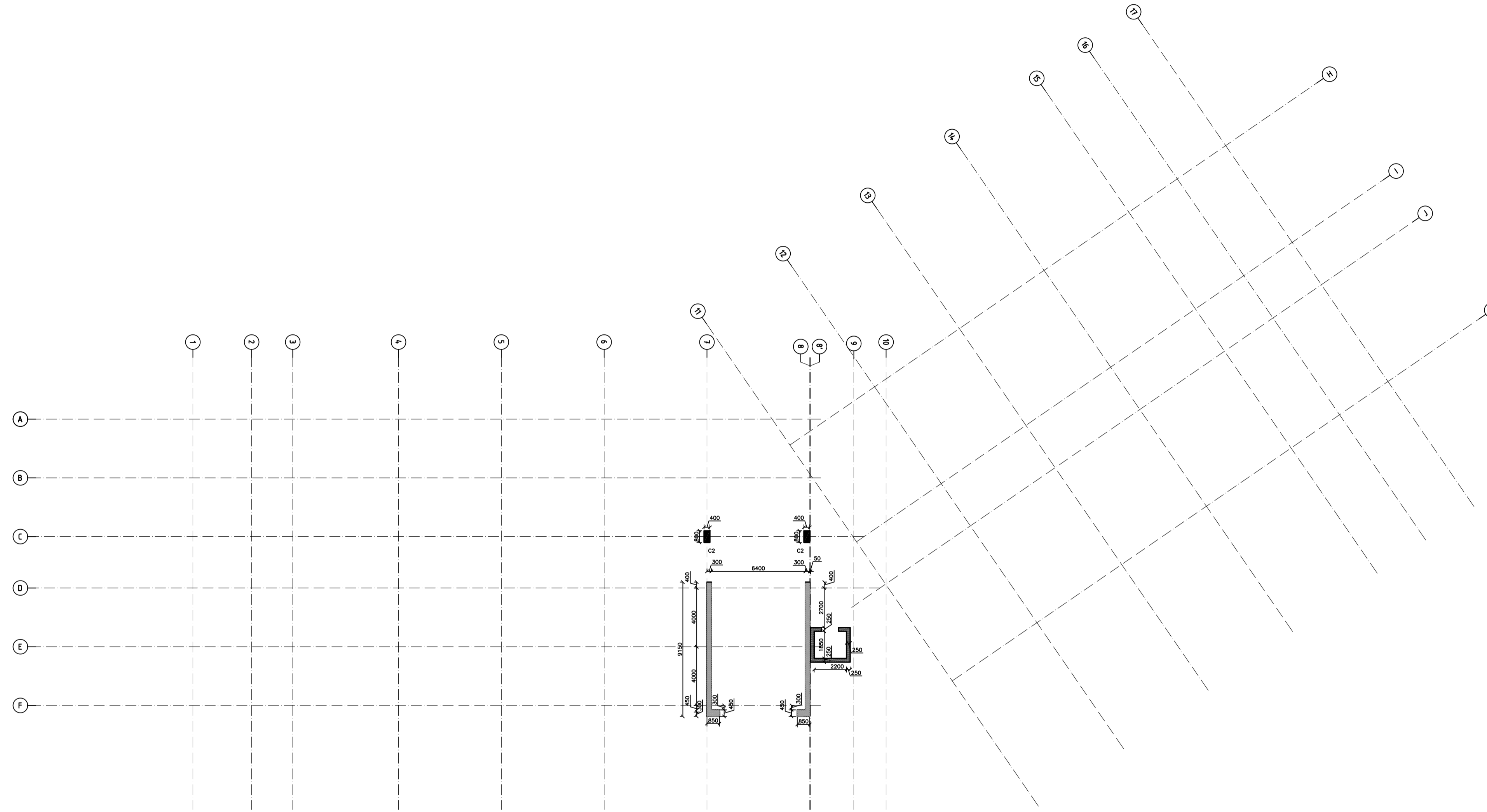
NOTES:



PHASE III
PACKAGE 1
UM AL DANANIR BASIC MIXED (AMMAN)
SCHOOLS FOR A KNOWLEDGE ECONOMY PROJECT (USAID SKEP)

DRAWING NAME:
SECOND FLOOR COLUMNS LAYOUT-3
Design: CAD
Date: JUNE 2020
Scale: 1/100
PLOT No: 568
LOCATION: UM AL DANANIR
BASIN NO: 002-ALQESHANEYEH

Checked: R.K
Approved:
DRAWING NUMBER: SKEP 13-SCP311
Rev.: 0
North:



ROOF FLOOR COLUMNS LAYOUT
1/100

REV.	DATE	REMARKS
0	JUNE 2020	VOL. IV - TENDER DRAWINGS

NOTES:

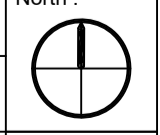


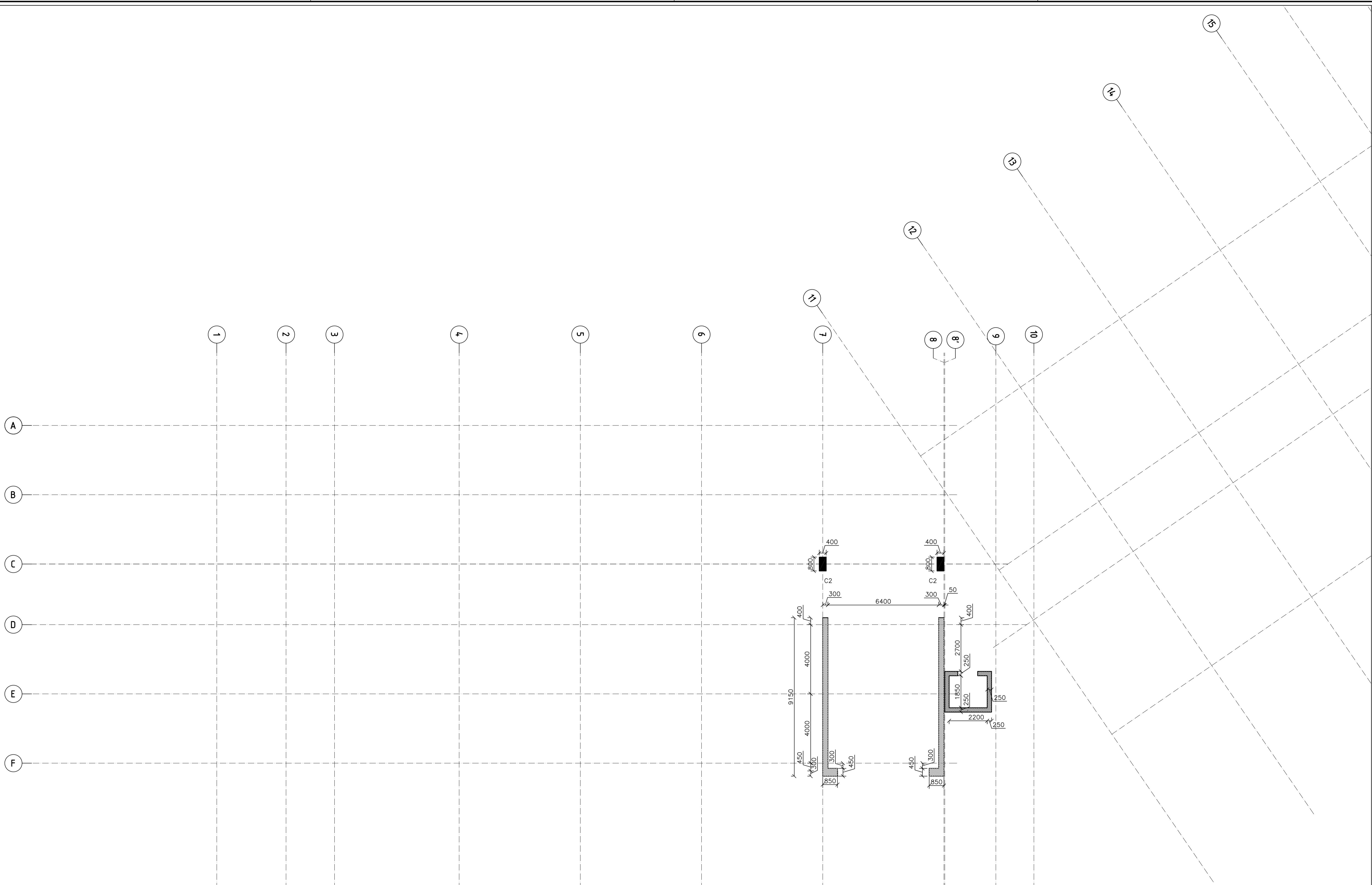
PHASE III
PACKAGE 1
UM AL DANANIR BASIC MIXED (AMMAN)
SCHOOLS FOR A KNOWLEDGE ECONOMY PROJECT (USAID SKEP)

DRAWING NAME:
ROOF FLOOR COLUMNS LAYOUT-1-
PLOT No: 568
LOCATION: UM AL DANANIR
BASIN NO: 002-ALQESHANEYEH

Design: A.KH.
SCALE: 1/200
Date: JUNE 2020
DRAWING NUMBER: SKEP 13-SCP312

Drawn: CAD
Checked: R.K
Approved:
Rev.: 0





REV.	DATE	REMARKS
0	JUNE 2020	VOL. IV - TENDER DRAWINGS

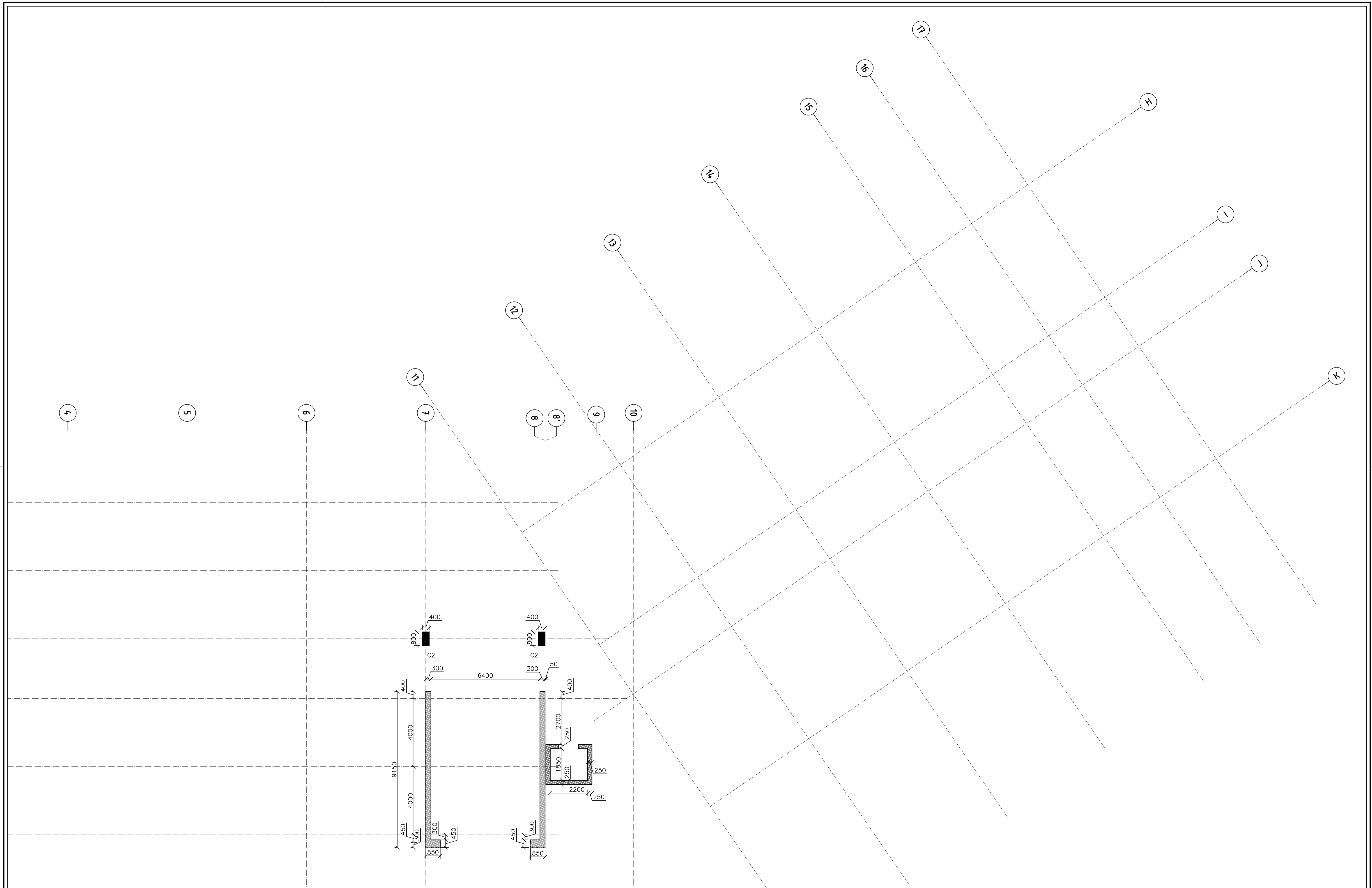
NOTES:



PHASE III
PACKAGE 1
UM AL DANANIR BASIC MIXED (AMMAN)
SCHOOLS FOR A KNOWLEDGE ECONOMY PROJECT (USAID SKEP)

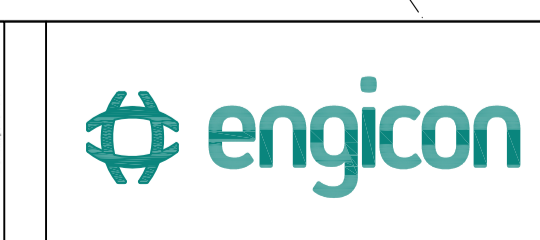
DRAWING NAME:
ROOF FLOOR COLUMNS LAYOUT-2-
Design: A.KH.
SCALE: 1/100
Date: JUNE 2020
DRAWING NUMBER: SKEP 13-SCP313

Drawn: CAD	Checked: R.K	North:
Date: JUNE 2020	Approved:	
Rev.: 0		



REV.	DATE	REMARKS
0	JUNE 2020	VOL. IV - TENDER DRAWINGS

NOTES:



PHASE III
PACKAGE 1

UM AL DANANIR BASIC MIXED (AMMAN)
SCHOOLS FOR A KNOWLEDGE ECONOMY PROJECT (USAID SKEP)

DRAWING NAME: ROOF FLOOR COLUMNS LAYOUT-3-		Design: A.KH.	Drawn: CAD	Checked: R.K	North:
SCALE: 1/100		Date: JUNE 2020	Approved:		Rev.: 0
PLOT No: 568	LOCATION: UM AL DANANIR	BASIN NO: 002-ALQESHANEYEH	DRAWING NUMBER: SKEP 13-SCP314		

REINFORCEMENT OF COLUMNS TABLE					
COLUMN	BASEMENT FLOOR	GROUND FLOOR	FIRST FLOOR	SECOND FLOOR	ROOF FLOOR
C1					---
C2					
C3		---	---	---	---
C4		---	---	---	---
C5					---
C6					---
C7					---
C8					---
C9					---
C10					---
C11	---				---
C12	---				---

REV.	DATE	REMARKS
0	JUNE 2020	VOL. IV - TENDER DRAWINGS

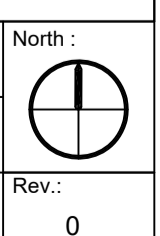
NOTES:

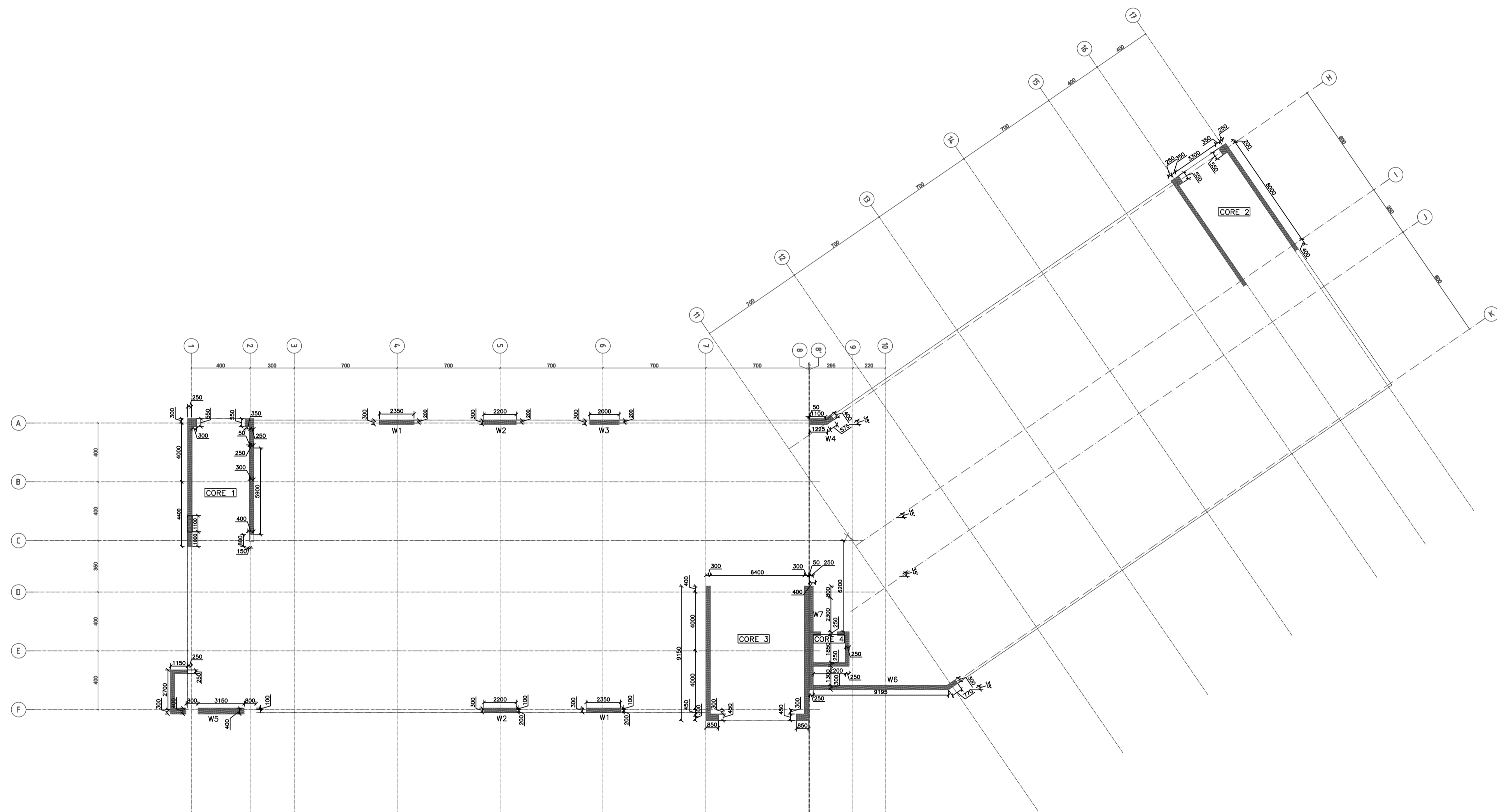


PHASE III
PACKAGE 1
UM AL DANANIR BASIC MIXED (AMMAN)
SCHOOLS FOR A KNOWLEDGE ECONOMY PROJECT (USAID SKEP)

DRAWING NAME:
FOUNDATION REINFORCEMENT TABLE
PLOT No: 568
LOCATION: UM AL DANANIR
BASIN NO: 002-ALQESHANEYEH

Design: A.K.H.
SCALE: N.T.S.
Date: JUNE 2020
DRAWING NUMBER: SKEP 13-SCP315
Checked: R.K.
Approved:
Rev.: 0





REV.	DATE	REMARKS
0	JUNE 2020	VOL. IV - TENDER DRAWINGS

NOTES:

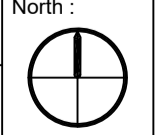


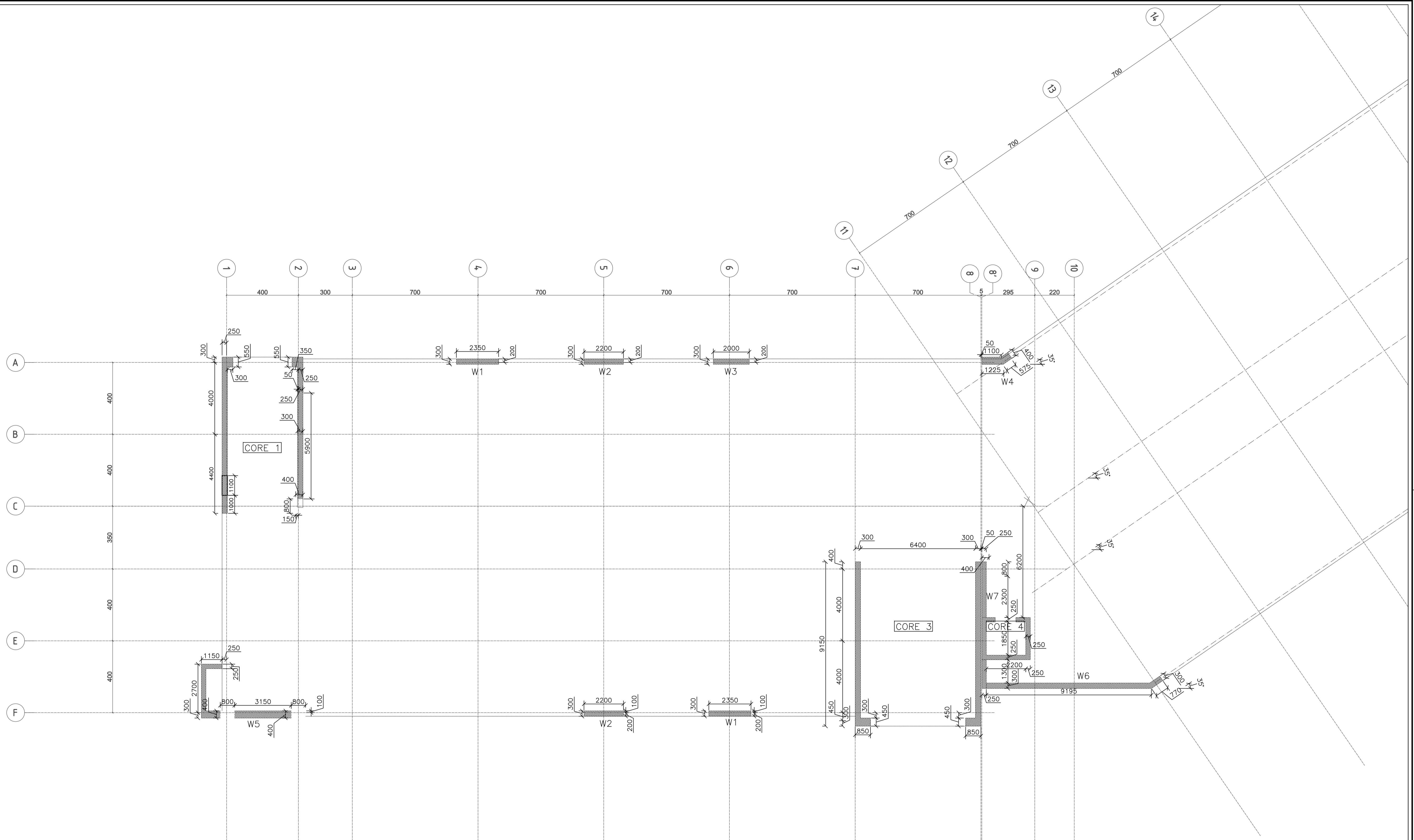
PHASE III
PACKAGE 1
UM AL DANANIR BASIC MIXED (AMMAN)
SCHOOLS FOR A KNOWLEDGE ECONOMY PROJECT (USAID SKEP)

DRAWING NAME:
WALLS AND CORES KEY -1-
PLOT No 568
LOCATION UM AL DANANIR
BASIN NO 002-ALQESHANEYEH

Design: A.K.H.
SCALE: 1/200
Date: JUNE 2020
DRAWING NUMBER: SKEP 13-SCP316

Drawn: CAD
Checked: R.K
Approved:
Rev.: 0

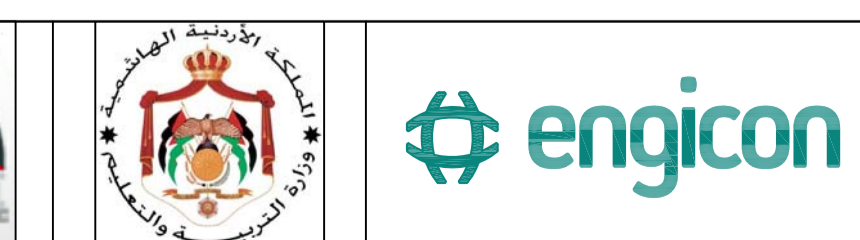




WALLS AND CORES KEY
1:100

REV.	DATE	REMARKS
0	JUNE 2020	VOL. IV - TENDER DRAWINGS

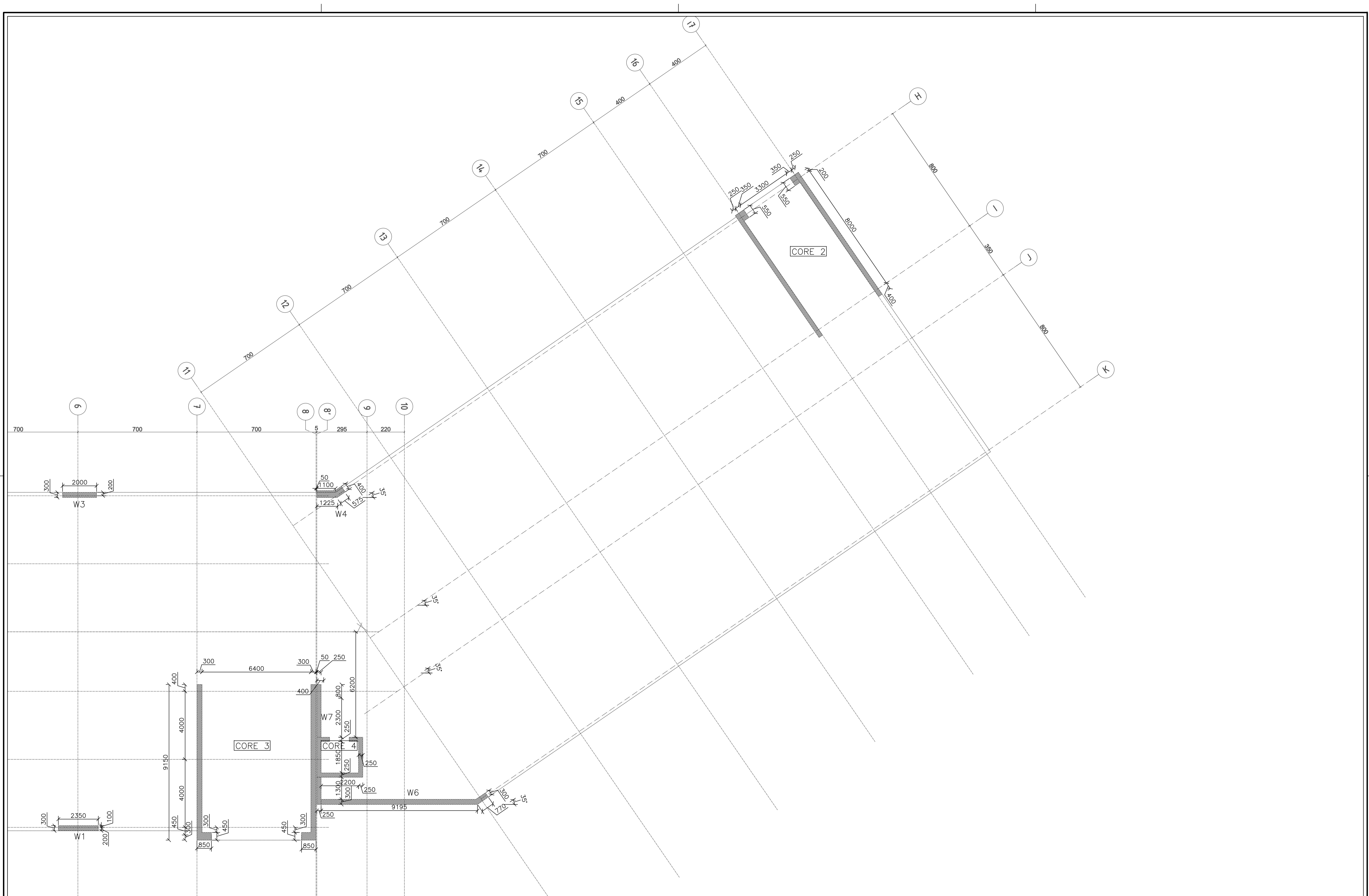
NOTES:



PHASE III	UM AL DANANIR BASIC MIXED (AMMAN)
PACKAGE 1	SCHOOLS FOR A KNOWLEDGE ECONOMY PROJECT (USAID SKEP)

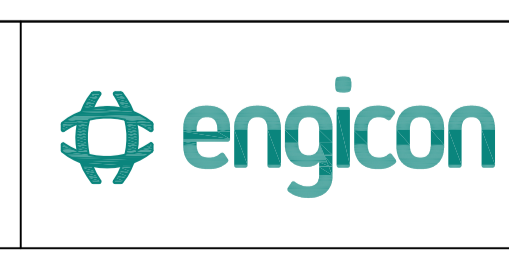
DRAWING NAME: WALLS AND CORES KEY -2-	
DESIGN: A.KH.	DRAWN: CAD
CHECKED: R.K.	APPROVED:
SCALE: 1/200	DATE: JUNE 2020
PLOT No: 568	LOCATION: UM AL DANANIR
BASIN NO: 002-ALQESHANEYEH	DRAWING NUMBER: SKEP 13-SCP317

North:	Rev.:
0	0



REV.	DATE	REMARKS
0	JUNE 2020	VOL. IV - TENDER DRAWINGS

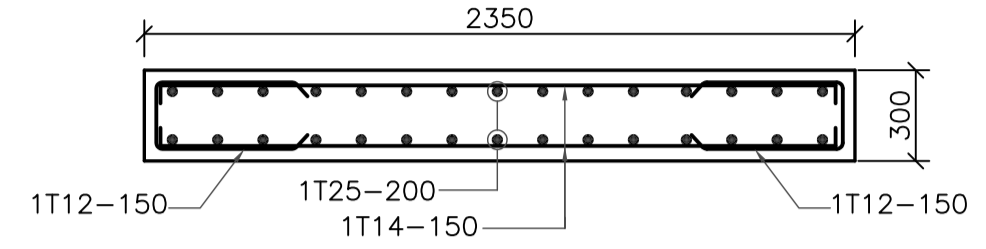
NOTES:



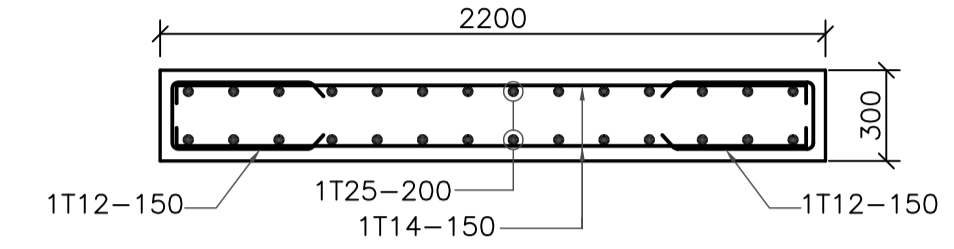
PHASE III
PACKAGE 1
UM AL DANANIR BASIC MIXED (AMMAN)
SCHOOLS FOR A KNOWLEDGE ECONOMY PROJECT (USAID SKEP)

DRAWING NAME:
WALLS AND CORES KEY -3-
PLOT No 568
LOCATION UM AL DANANIR
BASIN NO 002-ALQESHANEYEH

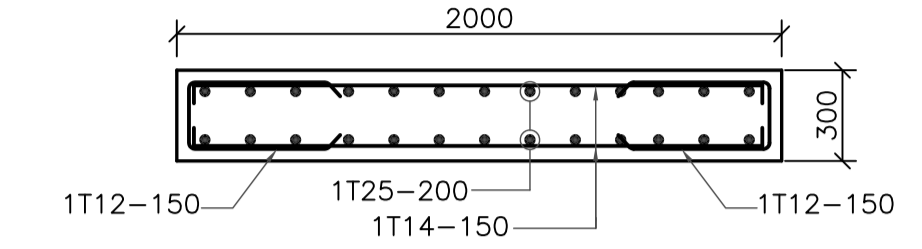
Design: A.KH.
SCALE: 1/200
Date: JUNE 2020
DRAWING NUMBER: SKEP 13-SCP318
Drawn: CAD
Checked: R.K
Approved:
Rev.: 0



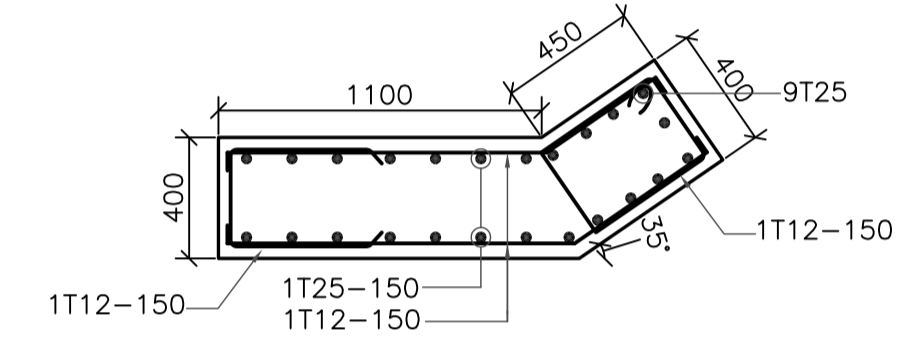
SECTION IN W1
1:50



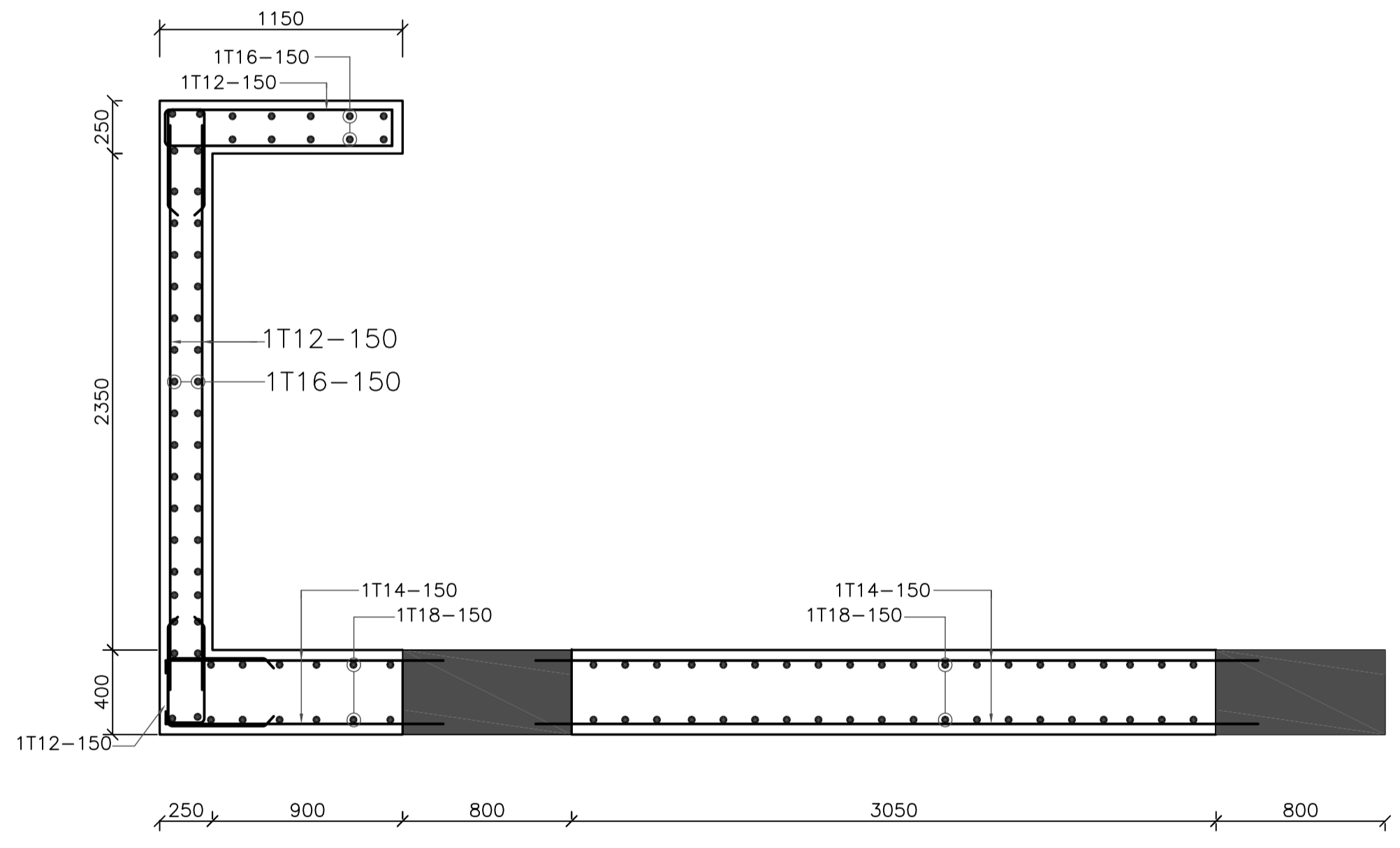
SECTION IN W2
1:50



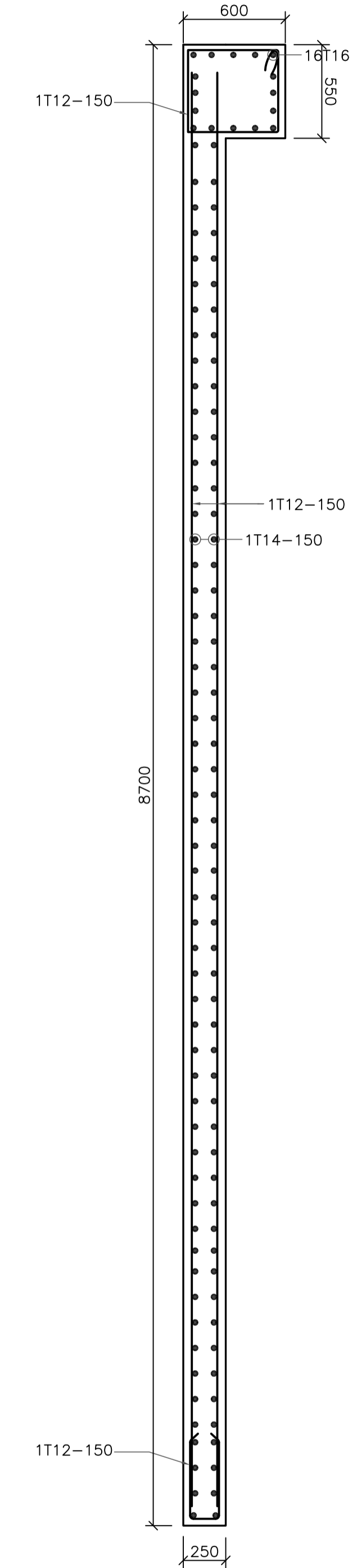
SECTION IN W3
1:50



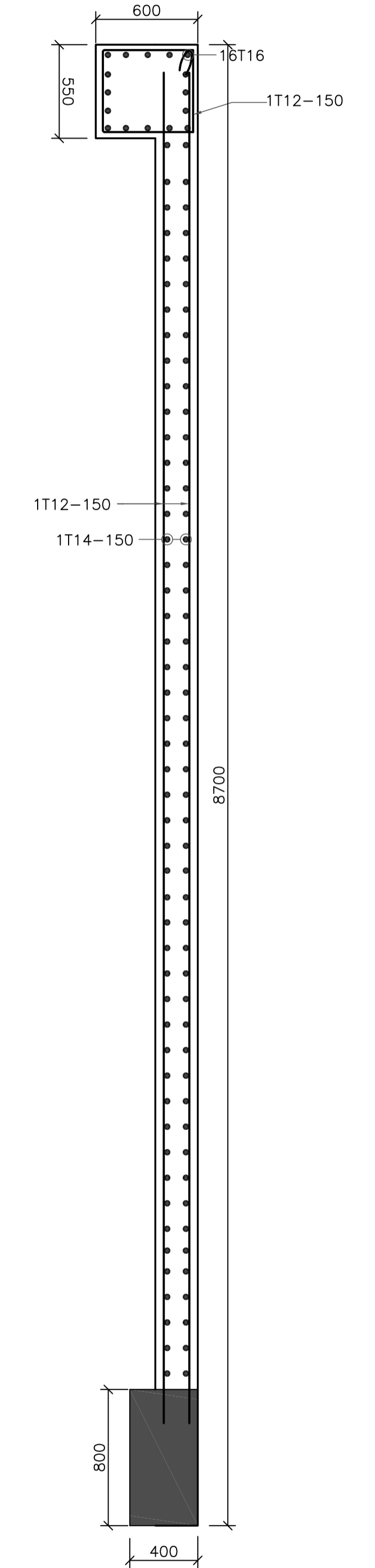
SECTION IN W4
1:50



SECTION IN W5
1:50

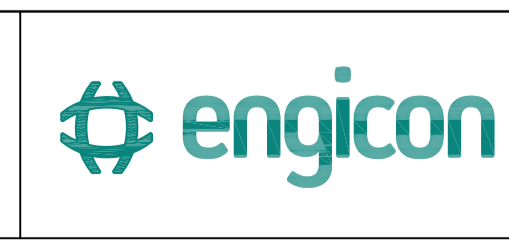


SECTION IN CORE 1
1:50



REV.	DATE	REMARKS
0	JUNE 2020	VOL. IV - TENDER DRAWINGS

NOTES:

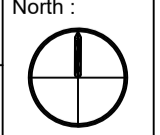


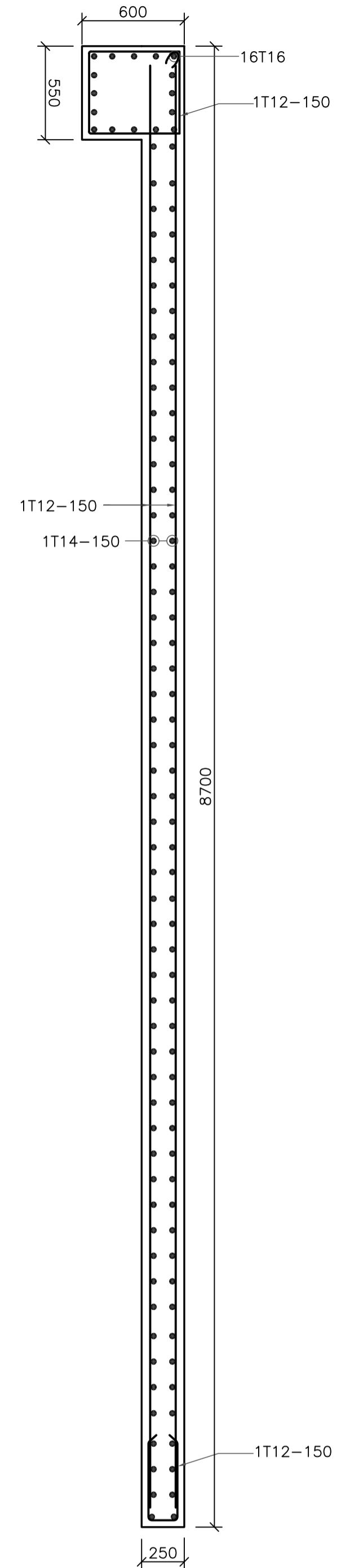
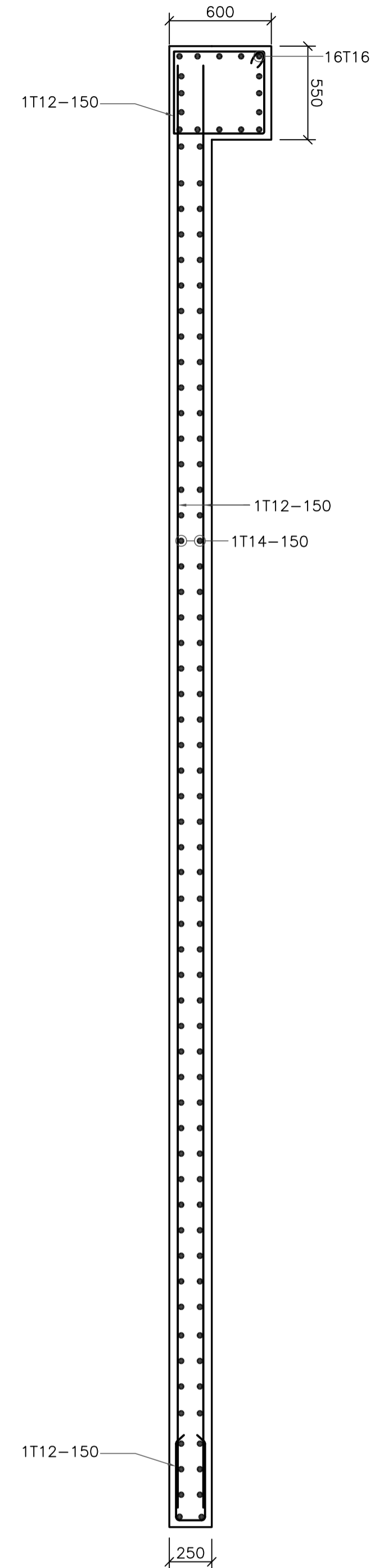
PHASE III
PACKAGE 1
UM AL DANANIR BASIC MIXED (AMMAN)
SCHOOLS FOR A KNOWLEDGE ECONOMY PROJECT (USAID SKEP)

DRAWING NAME:
WALLS SECTIONS -1-
PLOT No 568
LOCATION UM AL DANANIR
BASIN NO 002-ALQESHANEYEH

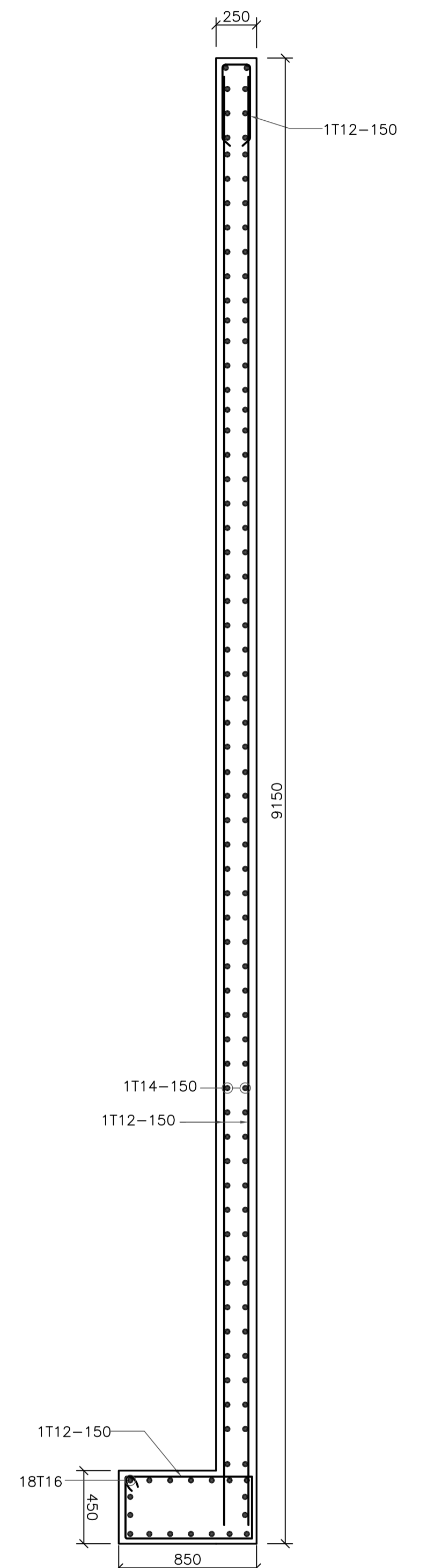
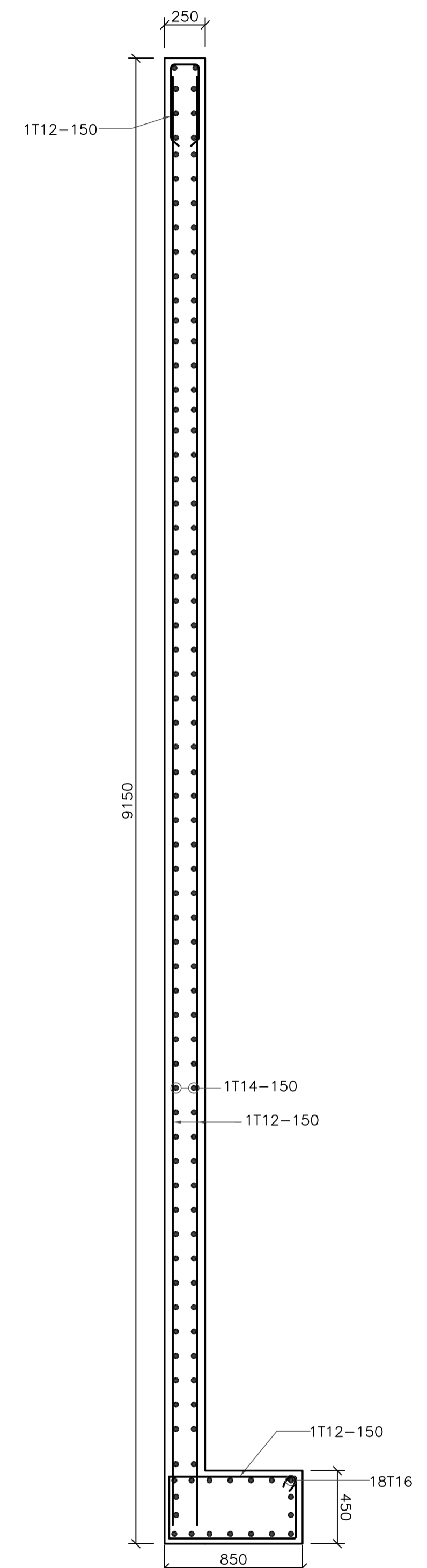
Design: A.KH.
SCALE: 1/50
Date: JUNE 2020
DRAWING NUMBER: SKEP 13-SCP319

Drawn: CAD
Checked: R.K
Approved:
Rev.: 0





SECTION IN CORE 2
1:50



SECTION IN CORE 3
1:50

REV.	DATE	REMARKS
0	JUNE 2020	VOL. IV - TENDER DRAWINGS

NOTES:



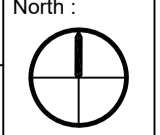
PHASE III
PACKAGE 1

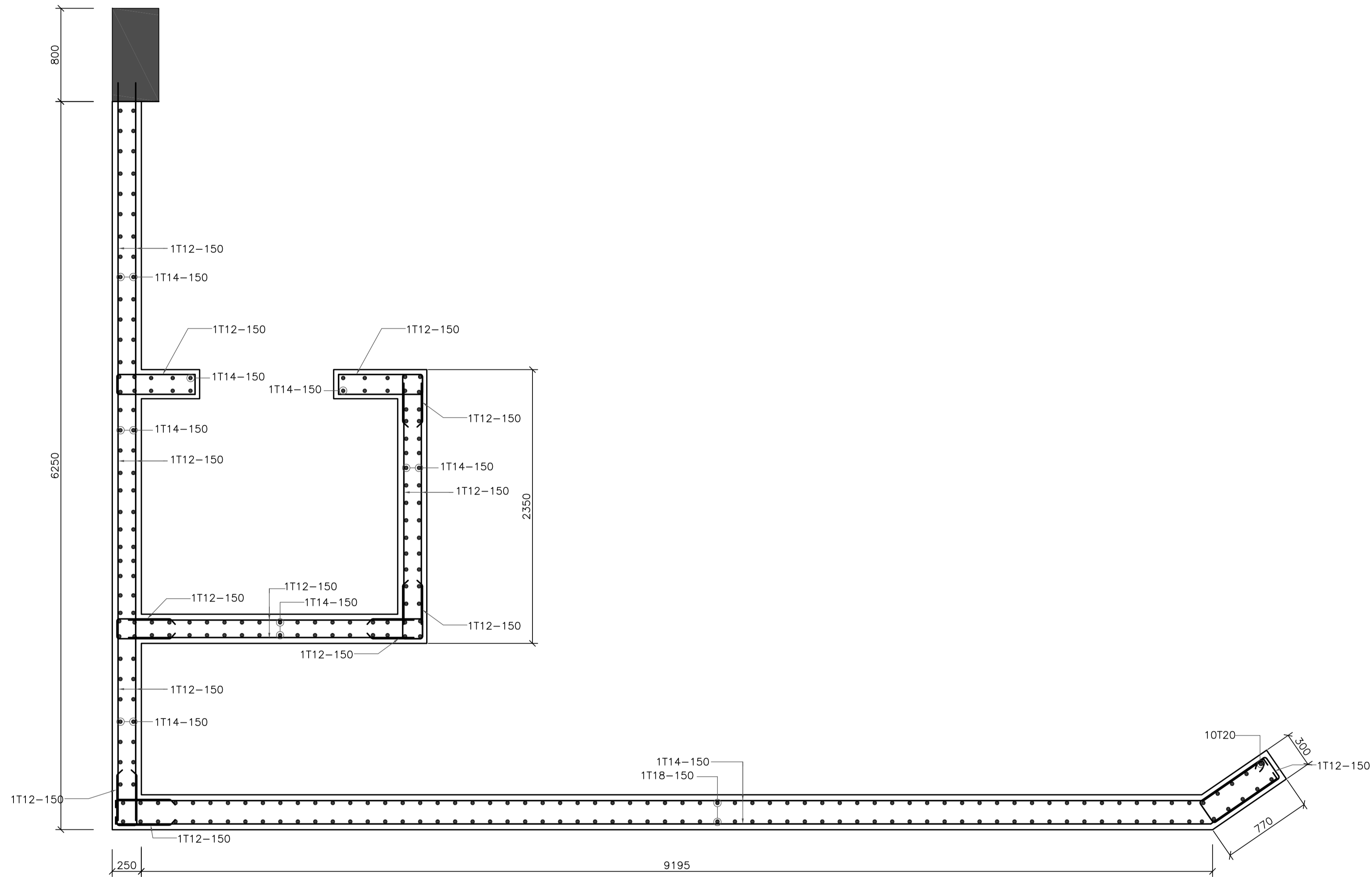
UM AL DANANIR BASIC MIXED (AMMAN)
SCHOOLS FOR A KNOWLEDGE ECONOMY PROJECT (USAID SKEP)

DRAWING NAME:
WALLS SECTIONS -2-
PLOT No: 568
LOCATION: UM AL DANANIR
BASIN NO: 002-ALQESHANEYEH

Design: A.KH.
SCALE: 1/50
Date: JUNE 2020
DRAWING NUMBER: SKEP 13-SCP320

Drawn: CAD
Checked: R.K
Approved:
Rev.: 0





SECTION IN CORE4 & W6 & W7
1:50

REV.	DATE	REMARKS
0	JUNE 2020	VOL. IV - TENDER DRAWINGS

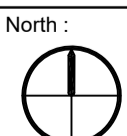
NOTES:

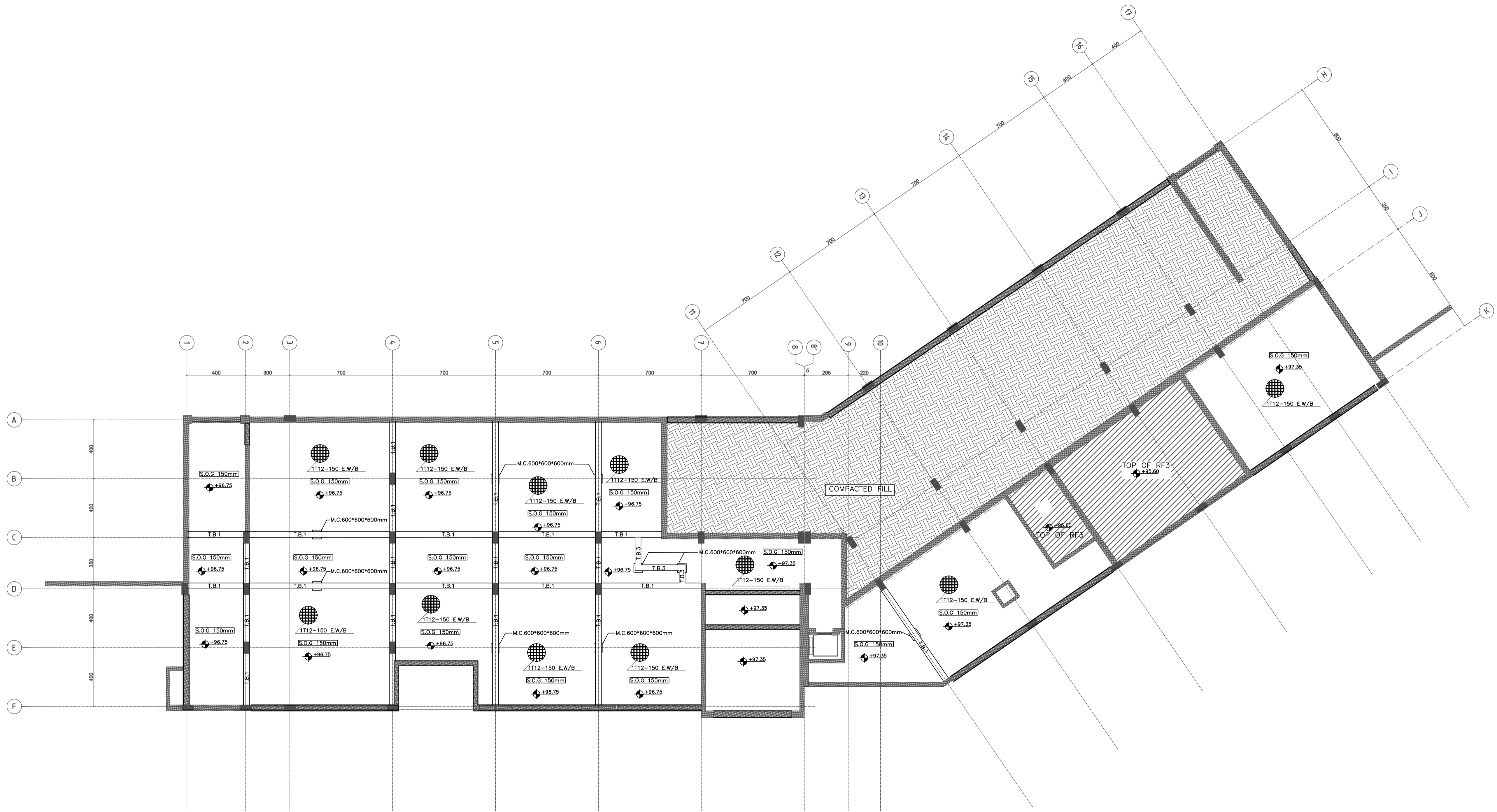


PHASE III
PACKAGE 1
UM AL DANANIR BASIC MIXED (AMMAN)
SCHOOLS FOR A KNOWLEDGE ECONOMY PROJECT (USAID SKEP)

DRAWING NAME:
WALLS SECTIONS -3-
PLOT No: 568
LOCATION: UM AL DANANIR
BASIN NO: 002-ALQESHANEYEH

Design: A.K.H.
SCALE: 1/50
Date: JUNE 2020
DRAWING NUMBER: SKEP 13-SCP321
Checked: R.K.
Approved:
Rev.: 0





BASMENT FLOOR FRAMING PLAN
1:100

REV.	DATE	REMARKS
0	JUNE 2020	VOL. IV - TENDER DRAWINGS

NOTES:

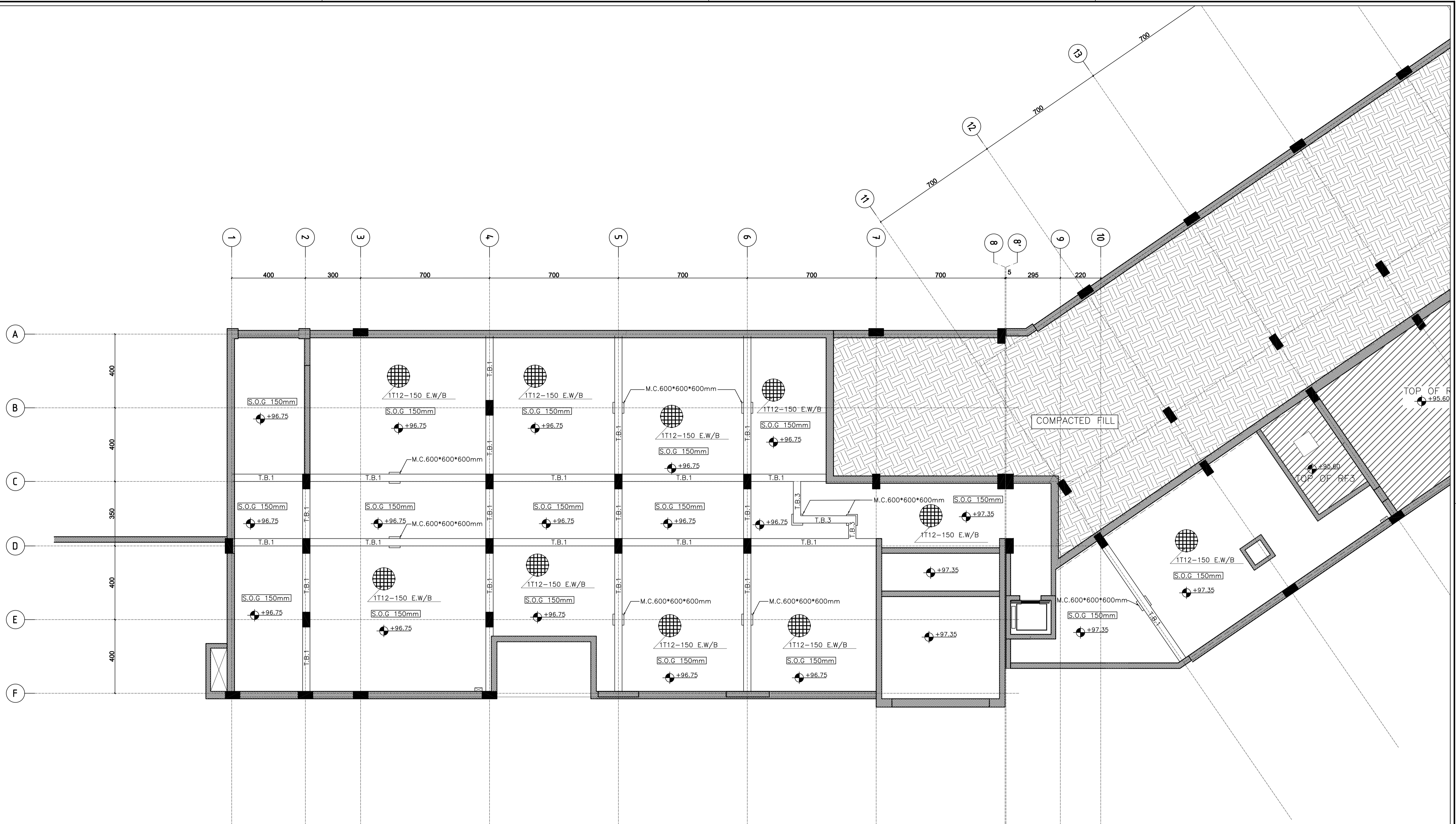


PHASE III
PACKAGE 1

UM AL DANANIR BASIC MIXED (AMMAN)
SCHOOLS FOR A KNOWLEDGE ECONOMY PROJECT (USAID SKEP)

DRAWING NAME:
BASEMENT FLOOR FRAMING PLAN-1

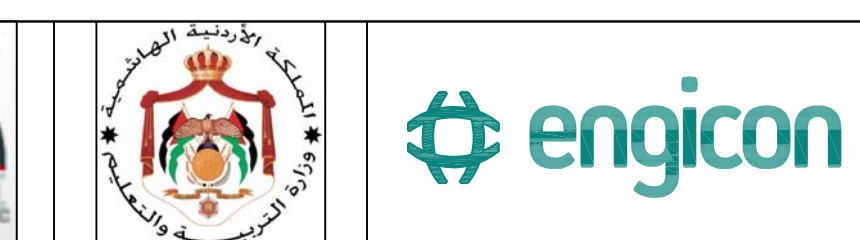
Design: A.K.H.
Drawn: CAD
Checked: R.K.
SCALE: 1/150
Date: JUNE 2020
Approved:
DRAWING NUMBER: SKEP 13-SSP400
Rev.: 0



BASMENT FLOOR FRAMING PLAN
1:100

REV.	DATE	REMARKS
0	JUNE 2020	VOL. IV - TENDER DRAWINGS

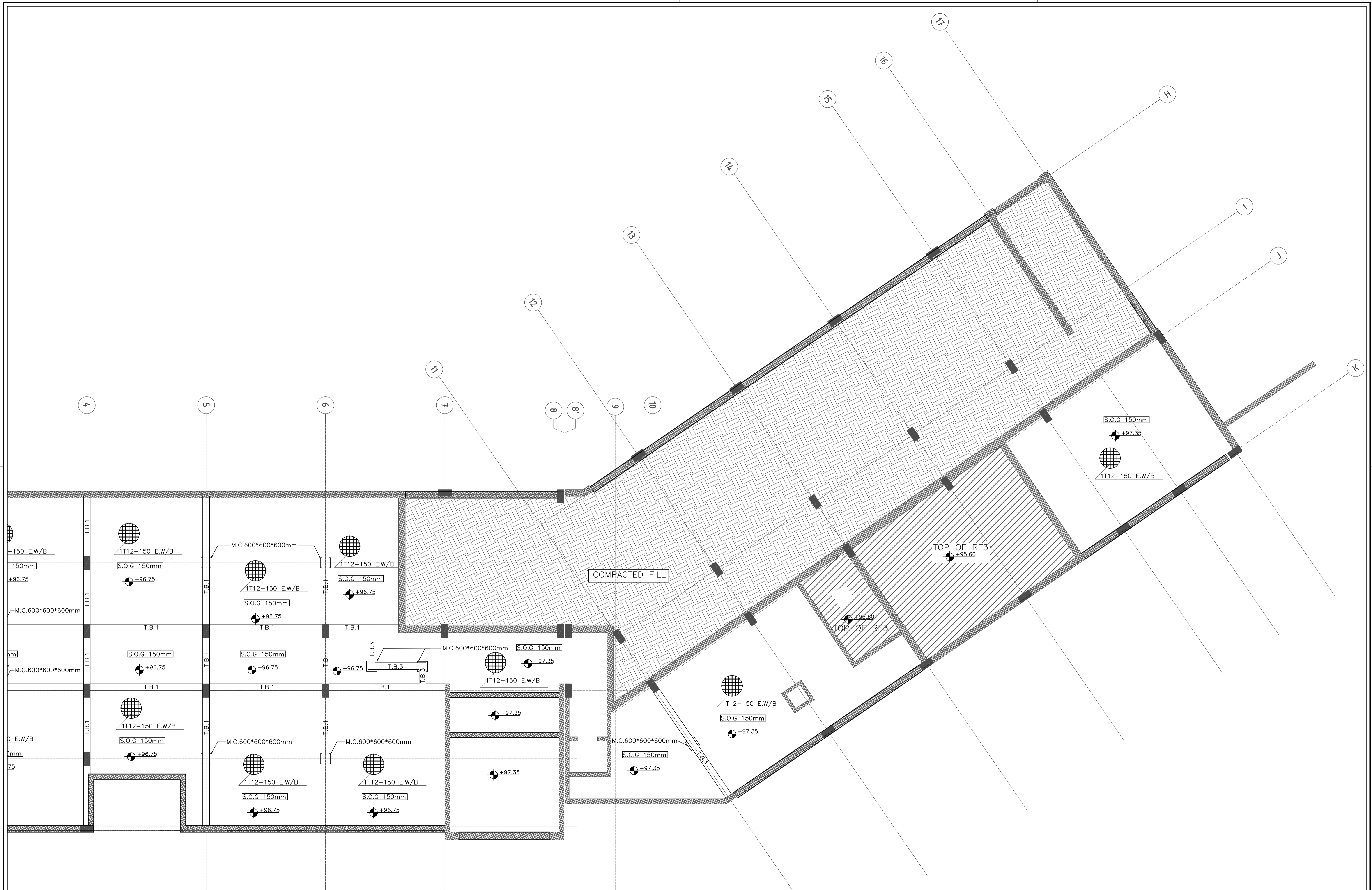
NOTES:



PHASE III
PACKAGE 1
UM AL DANANIR BASIC MIXED (AMMAN)
SCHOOLS FOR A KNOWLEDGE ECONOMY PROJECT (USAID SKEP)

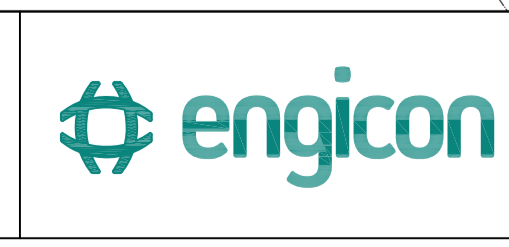
DRAWING NAME:
BASEMENT FLOOR FRAMING PLAN-2-
PLOT No 568
LOCATION UM AL DANANIR
BASIN NO 002-ALQESHANEYEH

Design: A.K.H.
SCALE: 1/100
Date: JUNE 2020
DRAWING NUMBER: SKEP 13-SSP401
Drawn: CAD
Date: JUNE 2020
Checked: R.K.
Approved:
Rev.: 0



REV.	DATE	REMARKS
0	JUNE 2020	VOL. IV - TENDER DRAWINGS

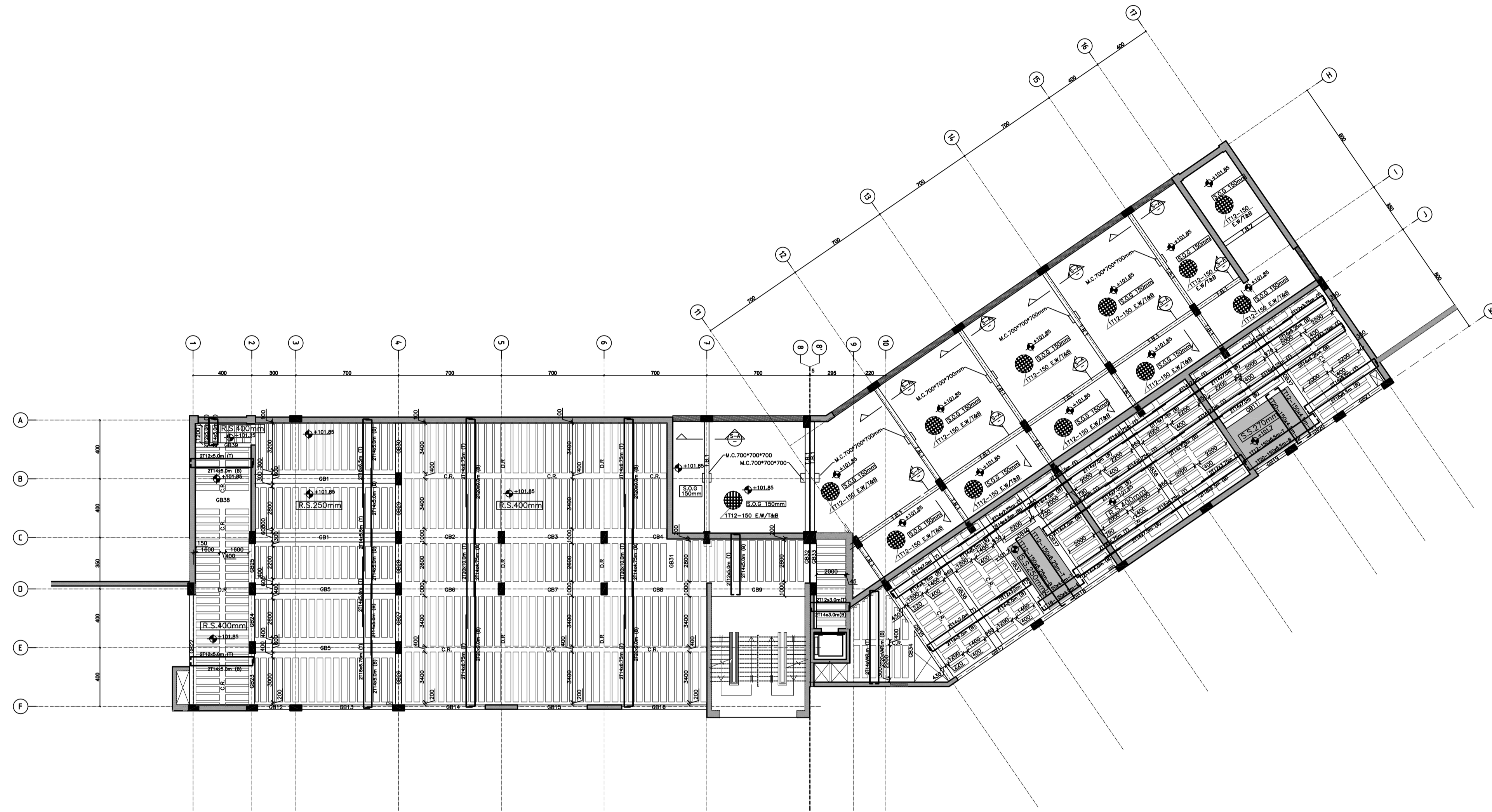
NOTES:



PHASE III
PACKAGE 1
UM AL DANANIR BASIC MIXED (AMMAN)
SCHOOLS FOR A KNOWLEDGE ECONOMY PROJECT (USAID SKEP)

DRAWING NAME:
BASEMENT FLOOR FRAMING PLAN-3-
PLOT No 568
LOCATION UM AL DANANIR
BASIN NO 002-ALQESHANEYEH

Design: A.KH.
SCALE: 1/100
DRAWING NUMBER: SKEP 13-SSP402
Drawn: CAD
Date: JUNE 2020
Checked: R.K.
Approved:
North:
Rev.: 0



REV.	DATE	REMARKS
0	JUNE 2020	VOL. IV - TENDER DRAWINGS

NOTES:

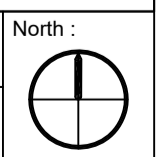


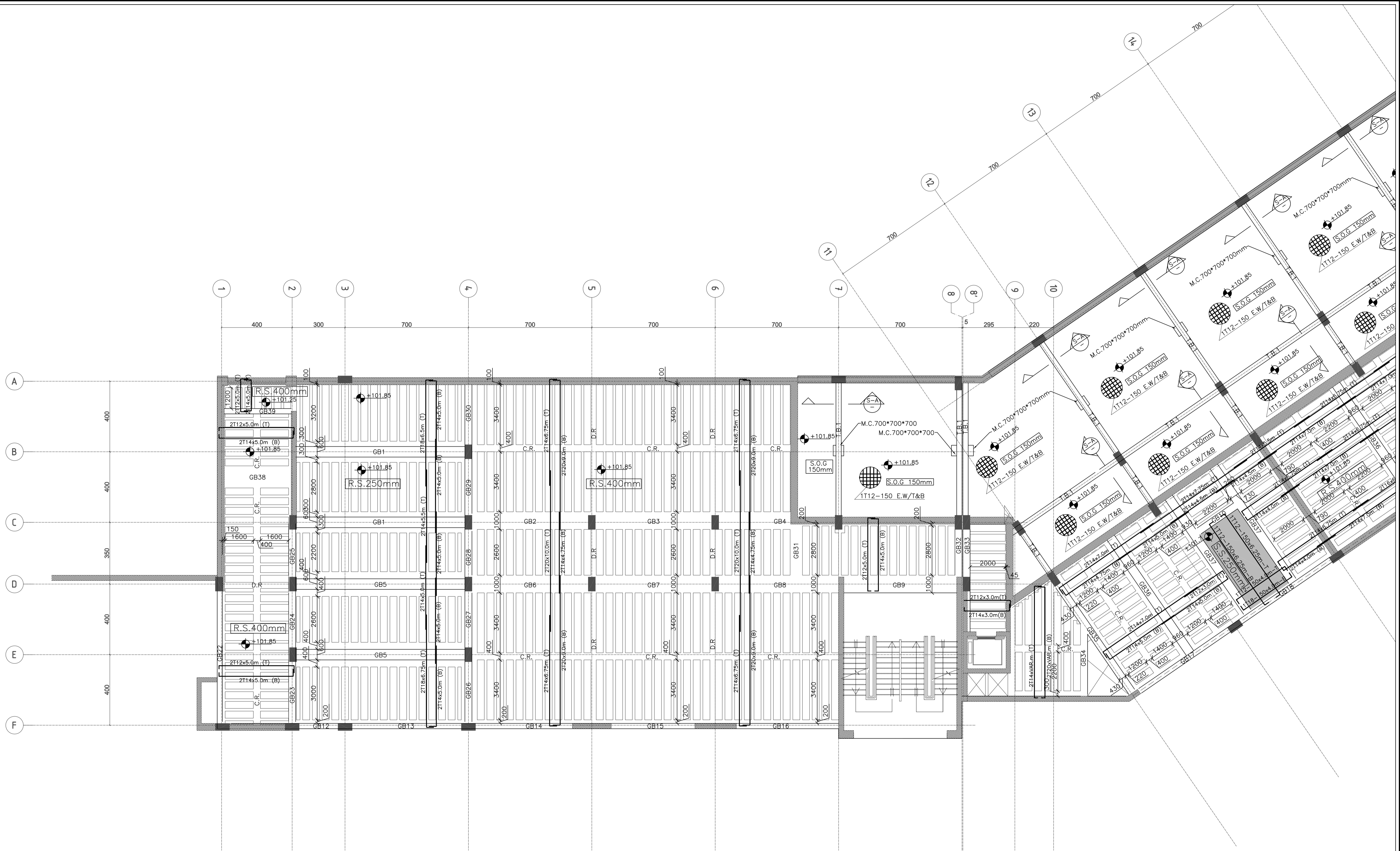
PHASE III
PACKAGE 1
UM AL DANANIR BASIC MIXED (AMMAN)
SCHOOLS FOR A KNOWLEDGE ECONOMY PROJECT (USAID SKEP)

DRAWING NAME:
GROUND FLOOR FRAMING PLAN-1-
PLOT No 568
LOCATION UM AL DANANIR
BASIN NO 002-ALQESHANEYEH

Design: A.KH.
SCALE: 1/200
Date: JUNE 2020
DRAWING NUMBER: SKEP 13-SSP403

Drawn: CAD
Checked: R.K
Approved:
Rev.: 0





REV.	DATE	REMARKS
0	JUNE 2020	VOL. IV - TENDER DRAWINGS

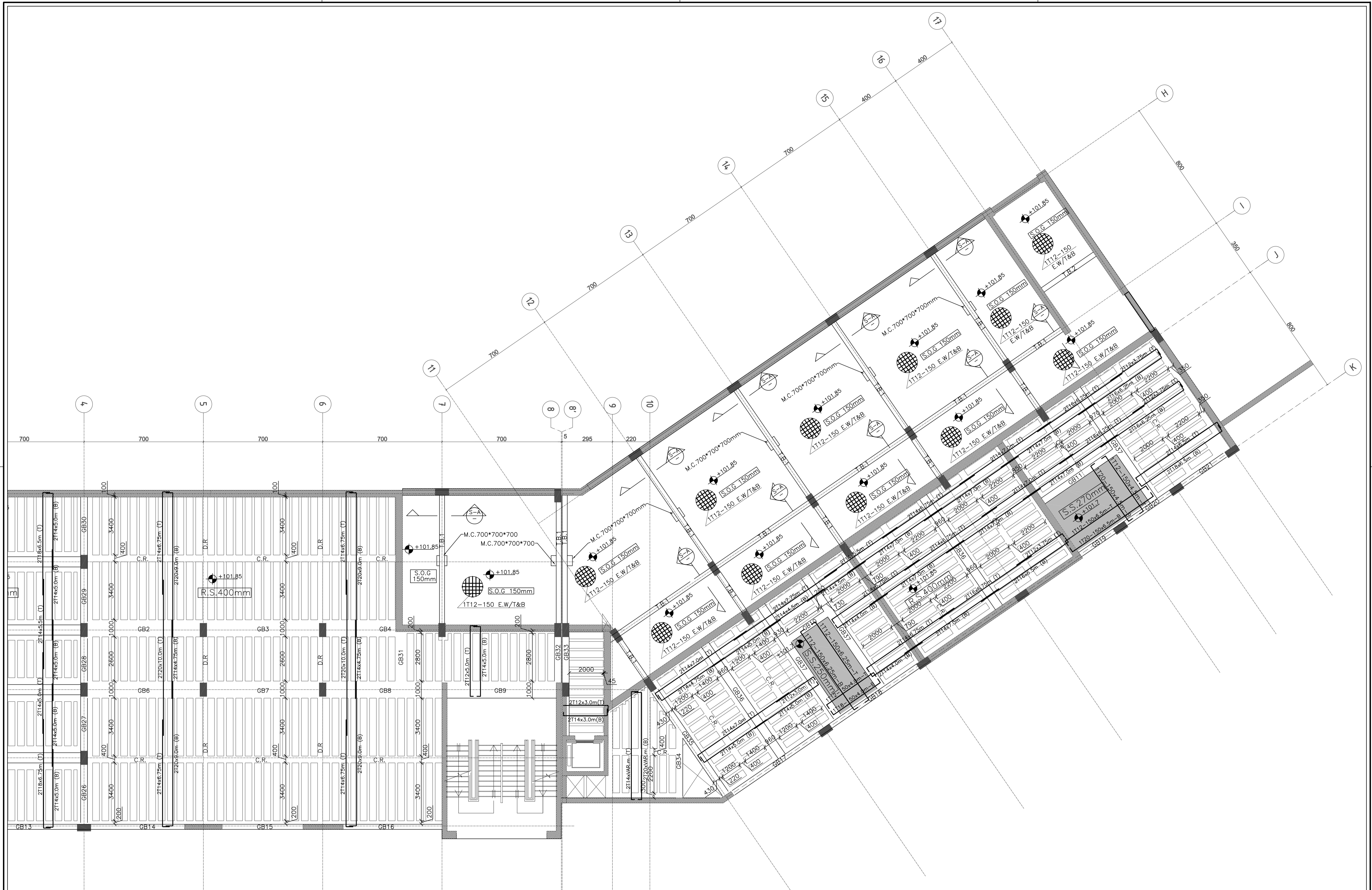
NOTES:



PHASE III
PACKAGE 1
UM AL DANANIR BASIC MIXED (AMMAN)
SCHOOLS FOR A KNOWLEDGE ECONOMY PROJECT (USAID SKEP)

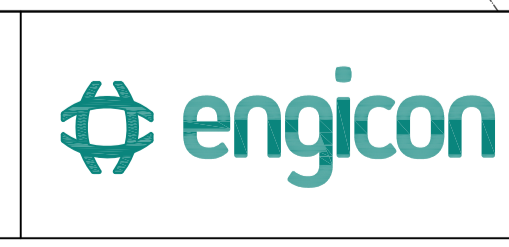
DRAWING NAME:
GROUND FLOOR FRAMING PLAN-2-
PLOT No 568
LOCATION UM AL DANANIR
BASIN NO 002-ALQESHANEYEH

Design: A.KH.
SCALE: 1/100
DRAWING NUMBER: SKEP 13-SSP404
Drawn: CAD
Date: JUNE 2020
Checked: R.K
Approved:
North:



REV.	DATE	REMARKS
0	JUNE 2020	VOL. IV - TENDER DRAWINGS

NOTES:

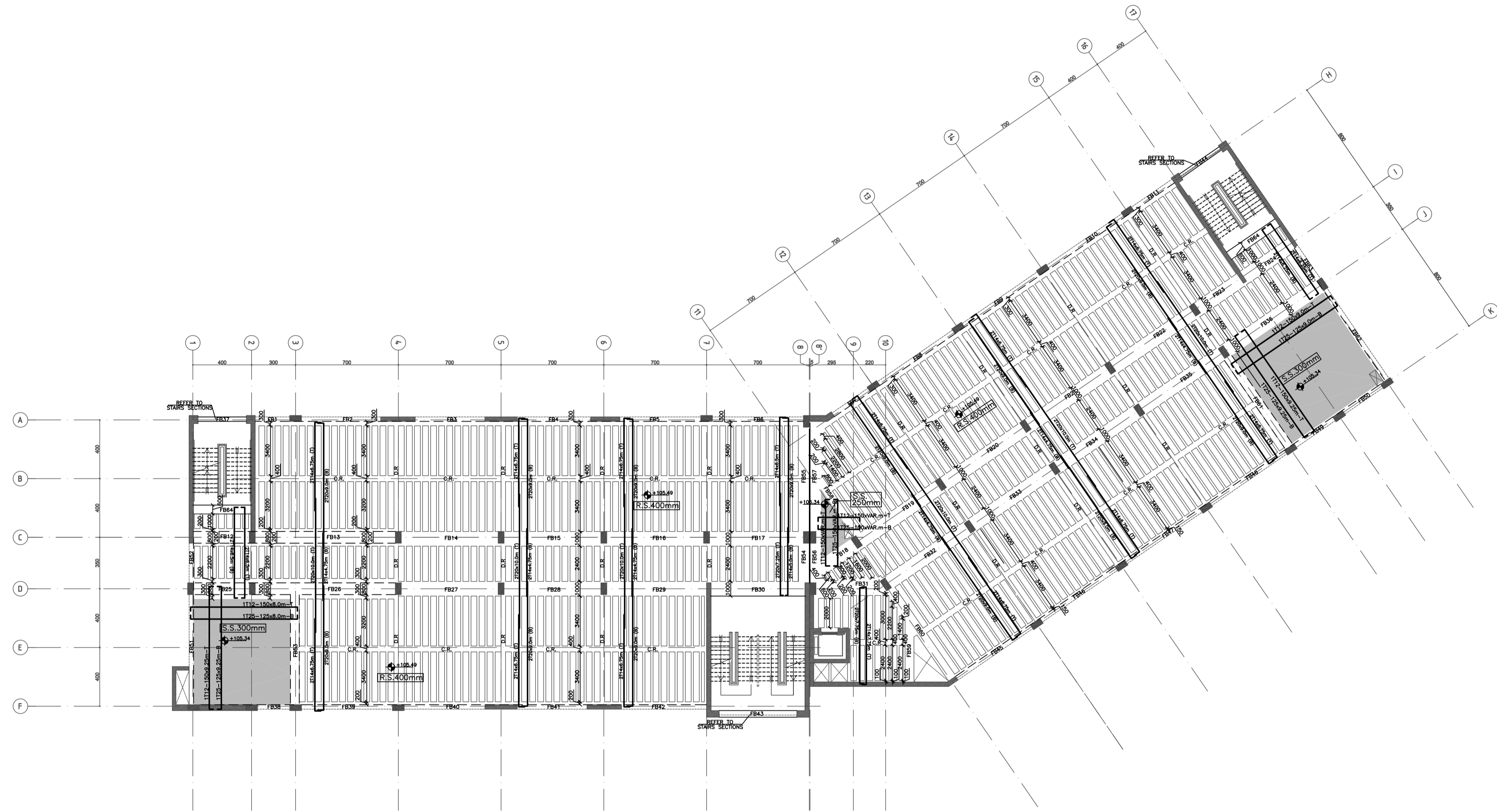


PHASE III
PACKAGE 1

UM AL DANANIR BASIC MIXED (AMMAN)
SCHOOLS FOR A KNOWLEDGE ECONOMY PROJECT (USAID SKEP)

DRAWING NAME:
GROUND FLOOR FRAMING PLAN-3

Design: A.K.H.	Drawn: CAD	Checked: R.K	North:
SCALE: 1/100	Date: JUNE 2020	Approved:	
PLOT No 568	LOCATION UM AL DANANIR	BASIN NO 002-ALOESHANEYEH	DRAWING NUMBER: SKEP 13-SSP405
			Rev.: 0



REV.	DATE	REMARKS
0	JUNE 2020	VOL. IV - TENDER DRAWINGS

NOTES:



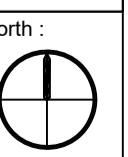
PHASE III
PACKAGE 1

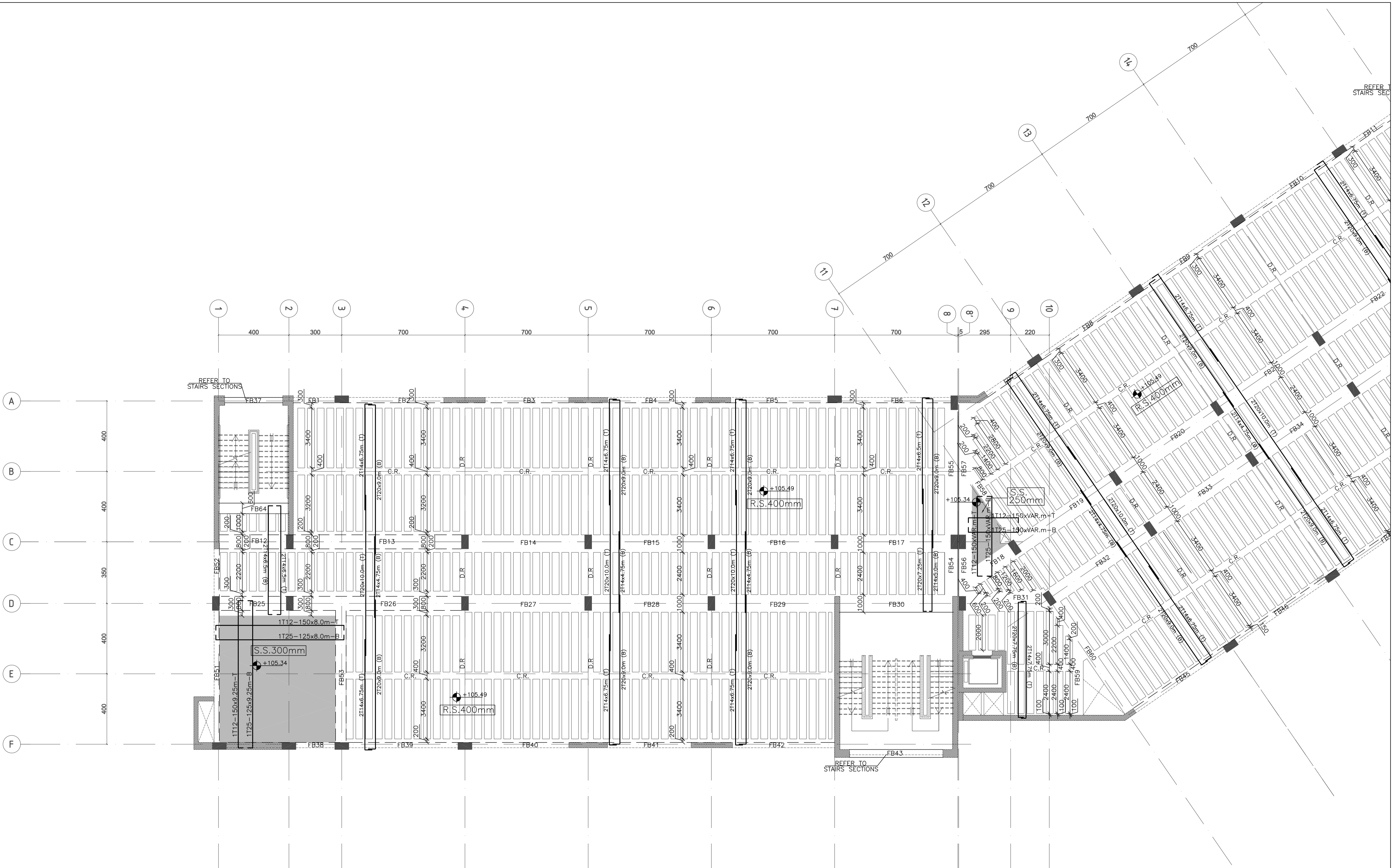
UM AL DANANIR BASIC MIXED (AMMAN)
SCHOOLS FOR A KNOWLEDGE ECONOMY PROJECT (USAID SKEP)

DRAWING NAME:
FIRST FLOOR FRAMING PLAN-1-
PLOT No 568
LOCATION UM AL DANANIR
BASIN NO 002-ALQESHANEYEH

Design: A.K.H.
SCALE: 1/200
Date: JUNE 2020
DRAWING NUMBER: SKEP 13-SSP406

Drawn: CAD
Checked: R.K
Approved:
Rev.: 0





REV.	DATE	REMARKS
0	JUNE 2020	VOL. IV - TENDER DRAWINGS

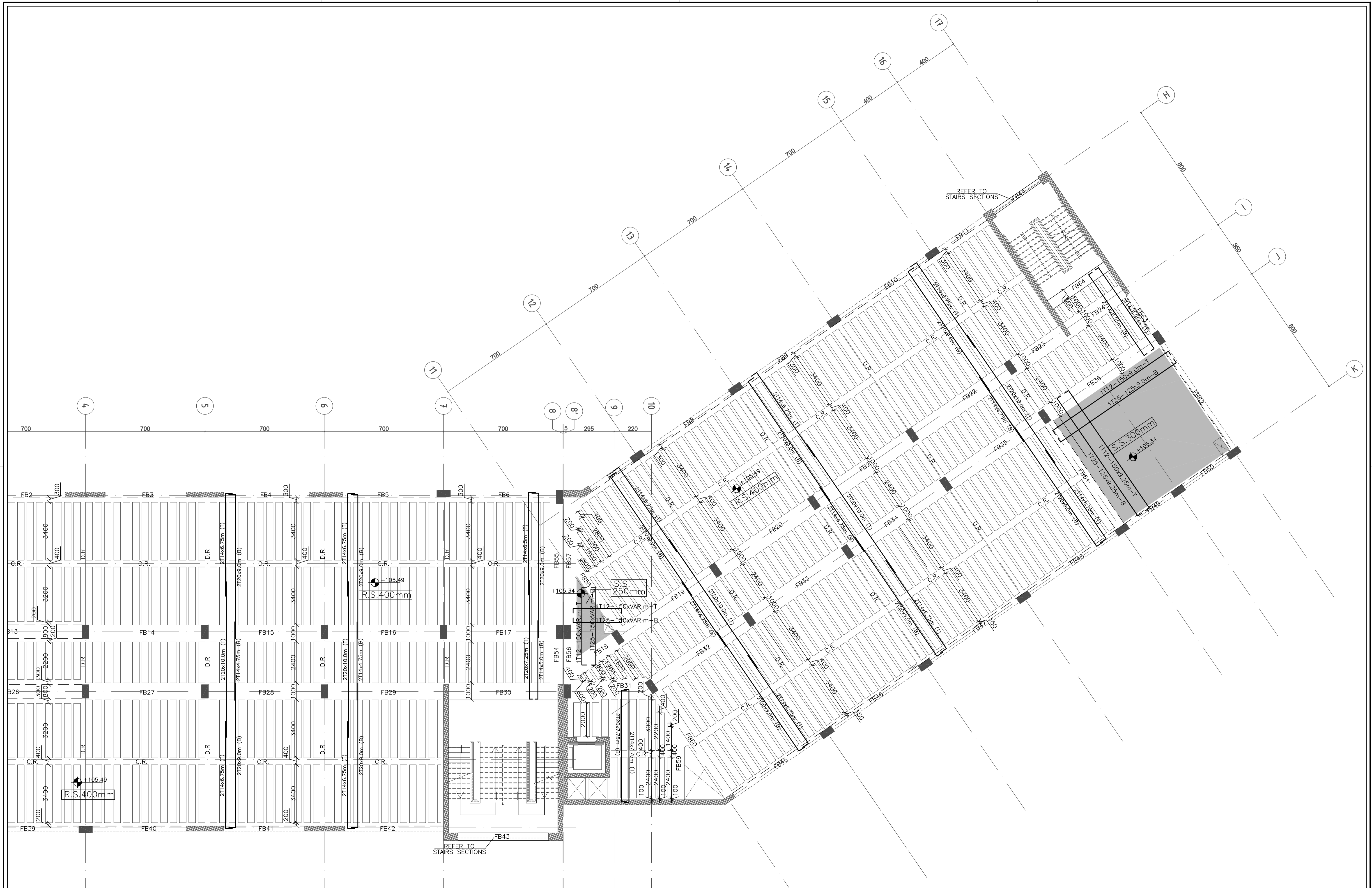
NOTES:



PHASE III
PACKAGE 1
UM AL DANANIR BASIC MIXED (AMMAN)
SCHOOLS FOR A KNOWLEDGE ECONOMY PROJECT (USAID SKEP)

DRAWING NAME:
FIRST FLOOR FRAMING PLAN-2-
PLOT No 568
LOCATION UM AL DANANIR
BASIN NO 002-ALQESHANEYEH

Design: A.KH.
SCALE: 1/100
DRAWING NUMBER: SKEP 13-SSP407
Drawn: CAD
Date: JUNE 2020
Checked: R.K.
Approved:
North: [North Arrow]
Rev.: 0



REV.	DATE	REMARKS
0	JUNE 2020	VOL. IV - TENDER DRAWINGS

NOTES:



USAID
FROM THE AMERICAN PEOPLE

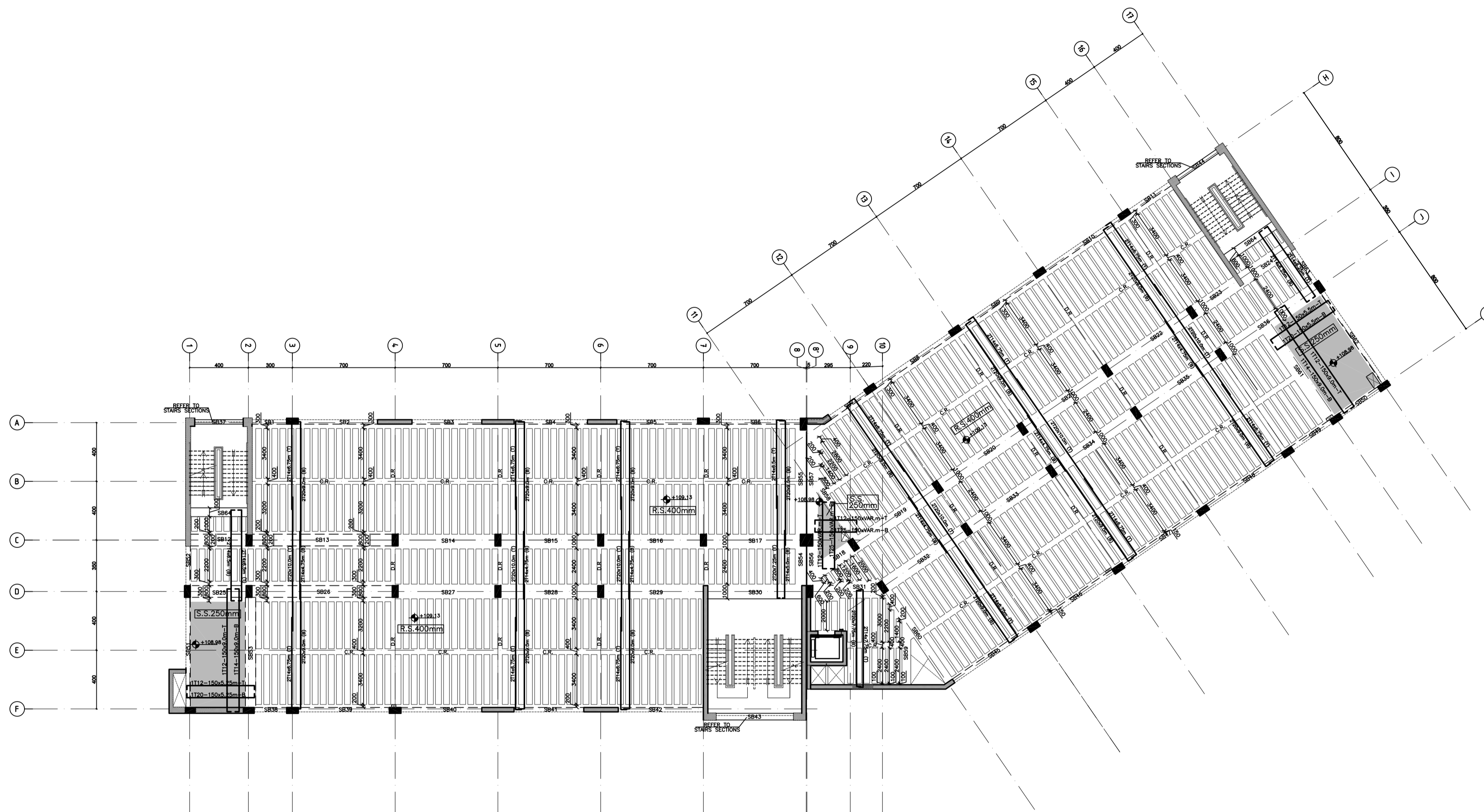


PHASE III
PACKAGE 1

UM AL DANANIR BASIC MIXED (AMMAN)
SCHOOLS FOR A KNOWLEDGE ECONOMY PROJECT (USAID SKEP)

DRAWING NAME:
FIRST FLOOR FRAMING PLAN-3-
PLOT No 568 LOCATION UM AL DANANIR BASIN NO 002-ALQESHANEYEH

Design: A.KH.	Drawn: CAD	Checked: R.K	North:
SCALE: 1/100	Date: JUNE 2020	Approved:	
DRAWING NUMBER: SKEP 13-SSP408			Rev.: 0



REV.	DATE	REMARKS
0	JUNE 2020	VOL. IV - TENDER DRAWINGS

NOTES:



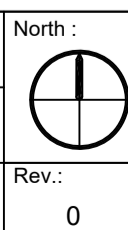
PHASE III
PACKAGE 1

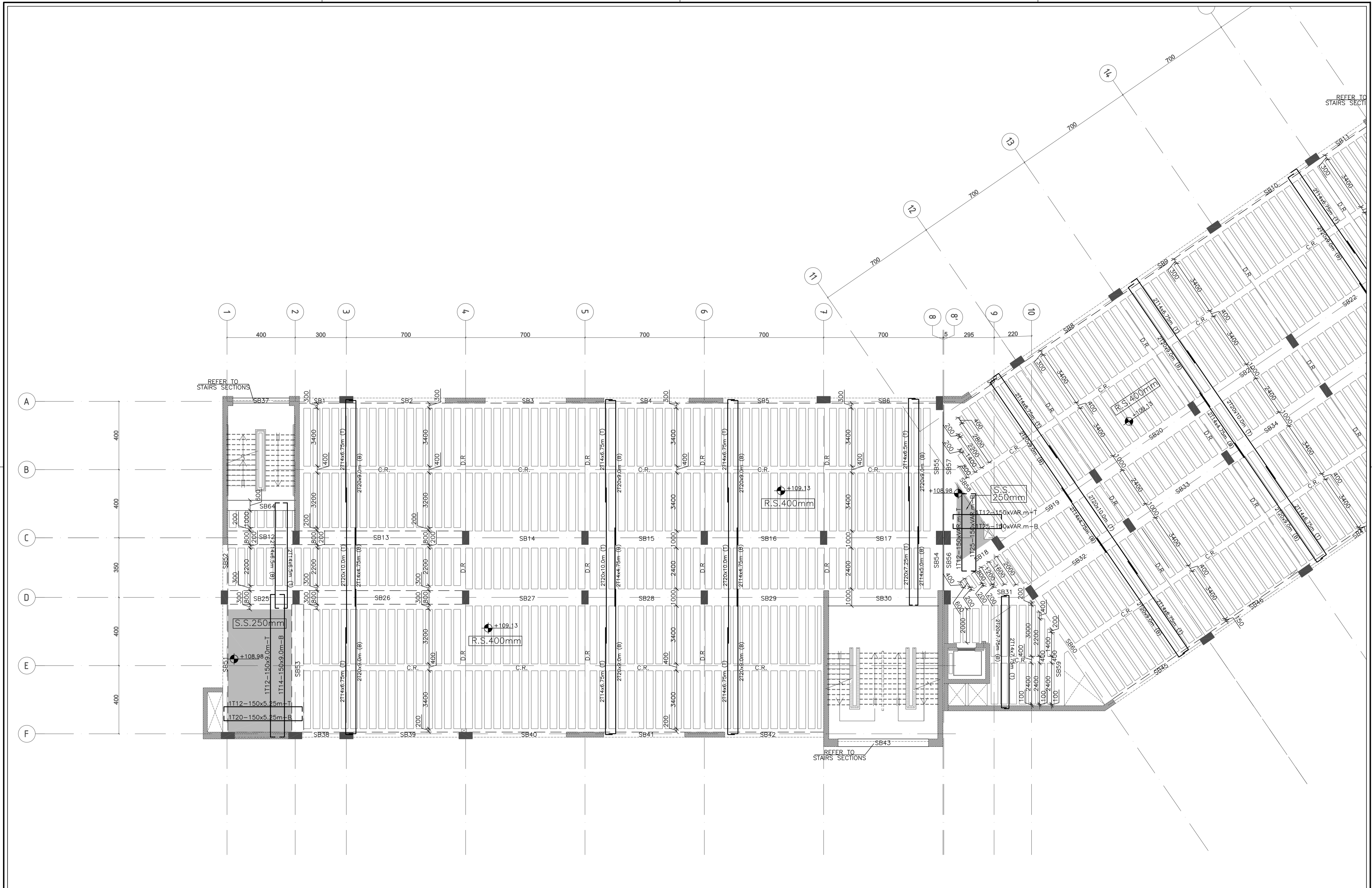
UM AL DANANIR BASIC MIXED (AMMAN)
SCHOOLS FOR A KNOWLEDGE ECONOMY PROJECT (USAID SKEP)

DRAWING NAME:
SECOND FLOOR FRAMING PLAN-1-
PLOT No 568
LOCATION UM AL DANANIR
BASIN NO 002-ALQESHANEYEH

Design: A.K.H.
SCALE: 1/200
Date: JUNE 2020
DRAWING NUMBER: SKEP 13-SSP409

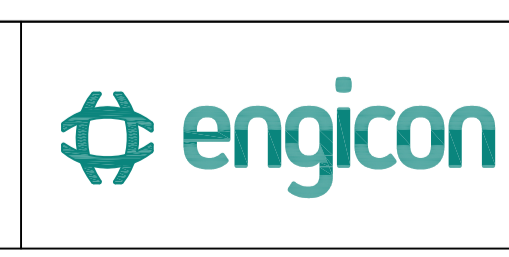
Drawn: CAD
Checked: R.K
Approved:
Rev.: 0





REV.	DATE	REMARKS
0	JUNE 2020	VOL. IV - TENDER DRAWINGS

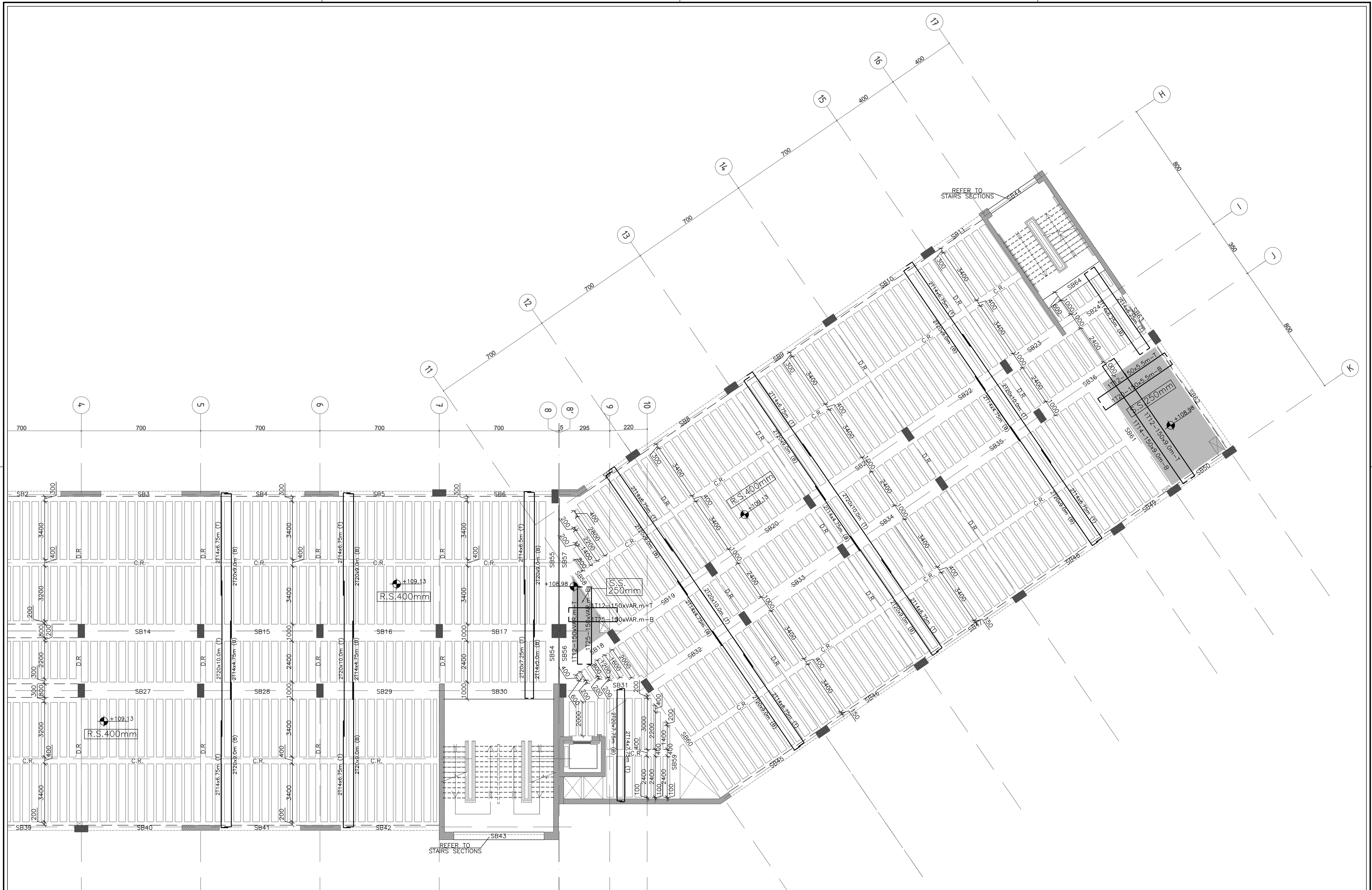
NOTES:



PHASE III
PACKAGE 1
UM AL DANANIR BASIC MIXED (AMMAN)
SCHOOLS FOR A KNOWLEDGE ECONOMY PROJECT (USAID SKEP)

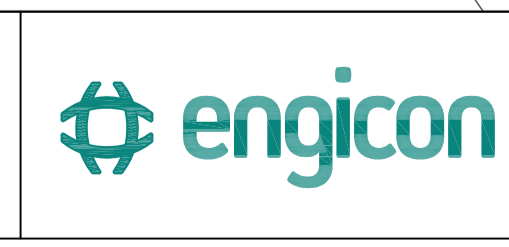
DRAWING NAME:
SECOND FLOOR FRAMING PLAN-2-
PLOT No 568
LOCATION UM AL DANANIR
BASIN NO 002-ALQESHANEYEH

Design: A.K.H.
Scale: 1/100
Date: JUNE 2020
Drawing Number: SKEP 13-SSP410
Checked: R.K.
Approved:
North:



REV.	DATE	REMARKS
0	JUNE 2020	VOL. IV - TENDER DRAWINGS

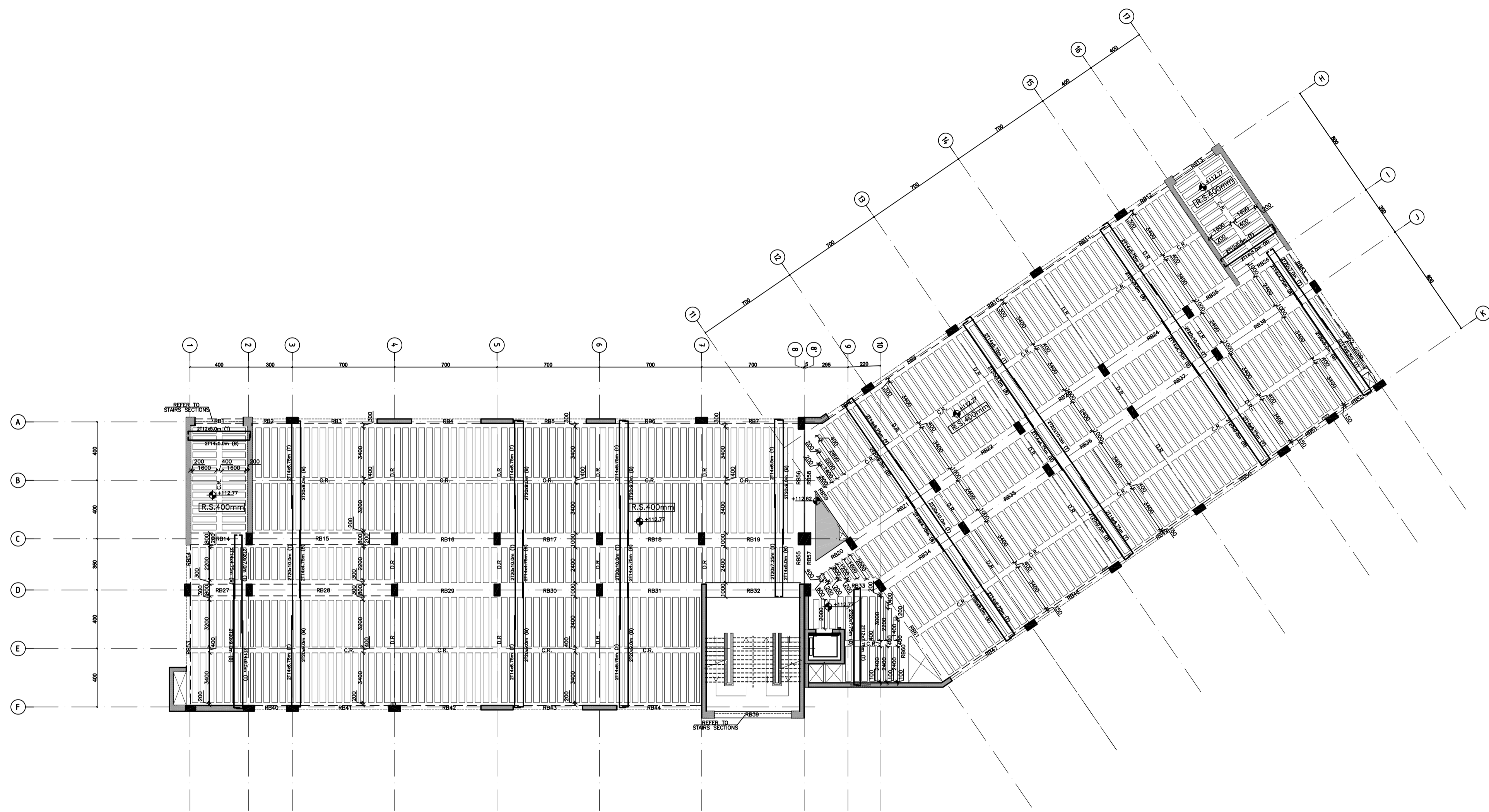
NOTES:



PHASE III
PACKAGE 1
UM AL DANANIR BASIC MIXED (AMMAN)
SCHOOLS FOR A KNOWLEDGE ECONOMY PROJECT (USAID SKEP)

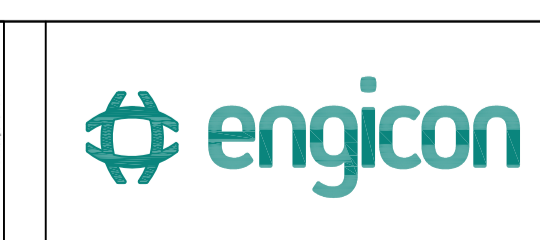
DRAWING NAME:
SECOND FLOOR FRAMING PLAN-3-
PLOT No 568
LOCATION UM AL DANANIR
BASIN NO 002-ALQESHANEYEH

Design: A.K.H.
SCALE: 1/100
DRAWING NUMBER: SKEP 13-SSP411
Drawn: CAD
Date: JUNE 2020
Checked: R.K.
Approved:
North:
Rev.: 0



REV.	DATE	REMARKS
0	JUNE 2020	VOL. IV - TENDER DRAWINGS

NOTES:



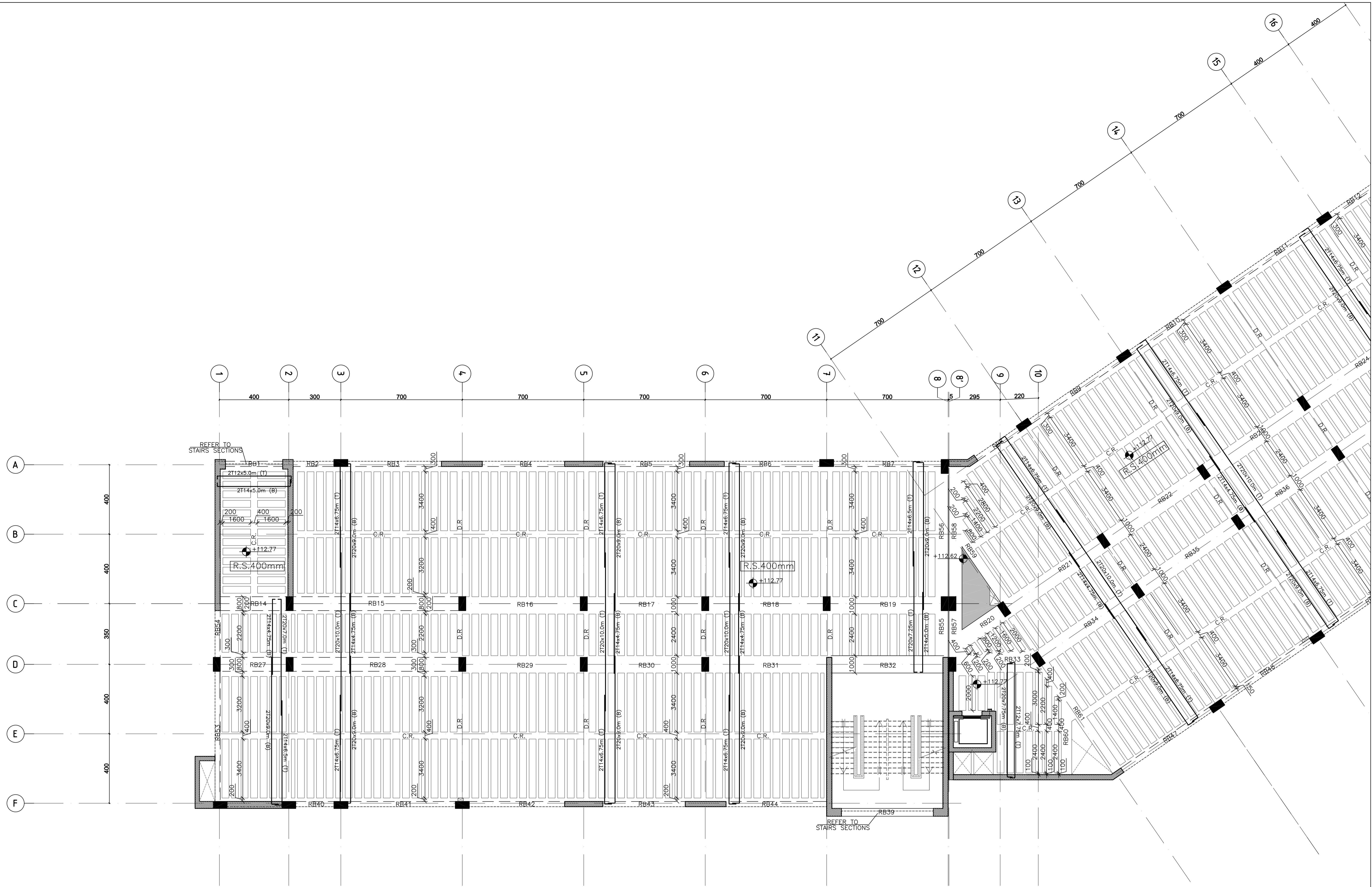
PHASE III
PACKAGE 1
UM AL DANANIR BASIC MIXED (AMMAN)
SCHOOLS FOR A KNOWLEDGE ECONOMY PROJECT (USAID SKEP)

DRAWING NAME:
ROOF FLOOR FRAMING PLAN-1-
PLOT No 568
LOCATION UM AL DANANIR
BASIN NO 002-ALQESHANEYEH

Design: A.K.H.
SCALE: 1/200
Date: JUNE 2020
DRAWING NUMBER: SKEP 13-SSP412

Drawn: CAD
Checked: R.K
Approved:
Rev.: 0





REV.	DATE	REMARKS
0	JUNE 2020	VOL. IV - TENDER DRAWINGS

NOTES:

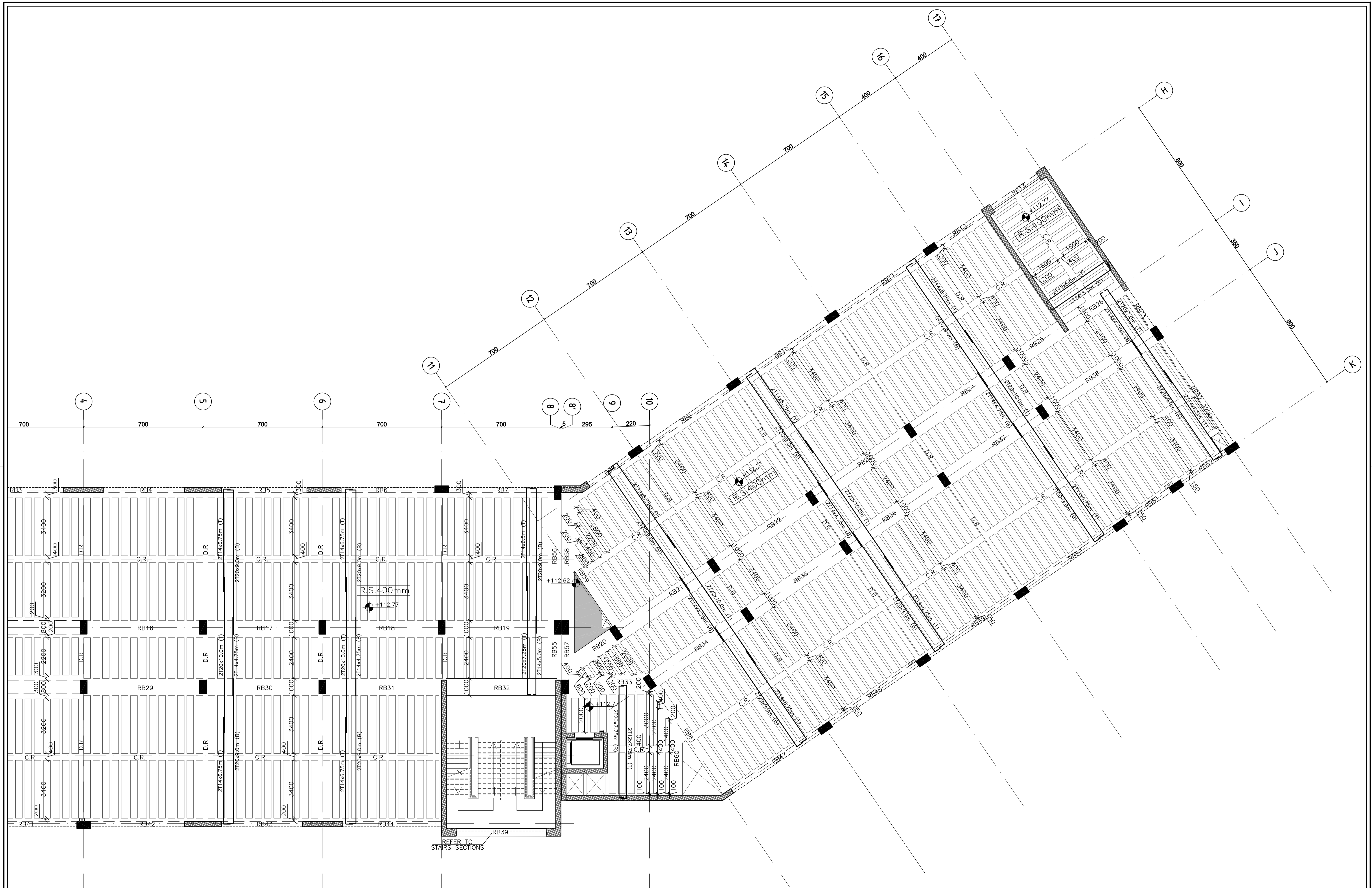


PHASE III
PACKAGE 1

UM AL DANANIR BASIC MIXED (AMMAN)
SCHOOLS FOR A KNOWLEDGE ECONOMY PROJECT (USAID SKEP)

DRAWING NAME:
ROOF FLOOR FRAMING PLAN-2-

Design: A.KH.	Drawn: CAD	Checked: R.K	North:
SCALE: 1/100	Date: JUNE 2020	Approved:	
PLOT No 568	LOCATION UM AL DANANIR	BASIN NO 002-ALGOSHANEYEH	DRAWING NUMBER: SKEP 13-SSP413
			Rev.: 0



REV.	DATE	REMARKS
0	JUNE 2020	VOL. IV - TENDER DRAWINGS

NOTES:

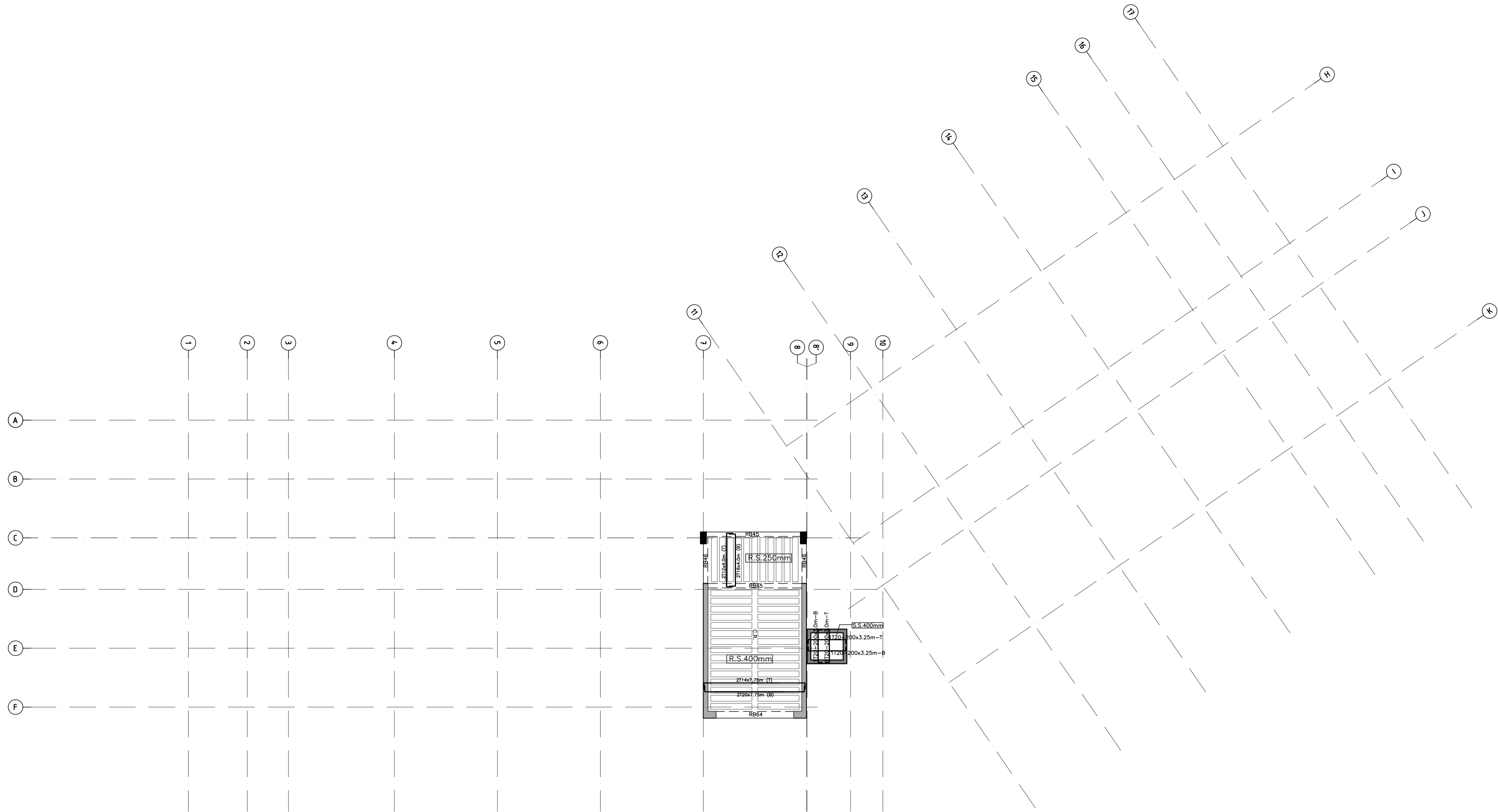


PHASE III
PACKAGE 1

UM AL DANANIR BASIC MIXED (AMMAN)
SCHOOLS FOR A KNOWLEDGE ECONOMY PROJECT (USAID SKEP)

DRAWING NAME:
ROOF FLOOR FRAMING PLAN-3-
PLOT No 568
LOCATION UM AL DANANIR
BASIN NO 002-ALQESHANEYEH

Design: A.K.H.
SCALE: 1/100
Date: JUNE 2020
DRAWING NUMBER: SKEP 13-SSP414
Drawn: CAD
Date: JUNE 2020
Checked: R.K.
Approved:
Rev.: 0



REV.	DATE	REMARKS
0	JUNE 2020	VOL. IV - TENDER DRAWINGS

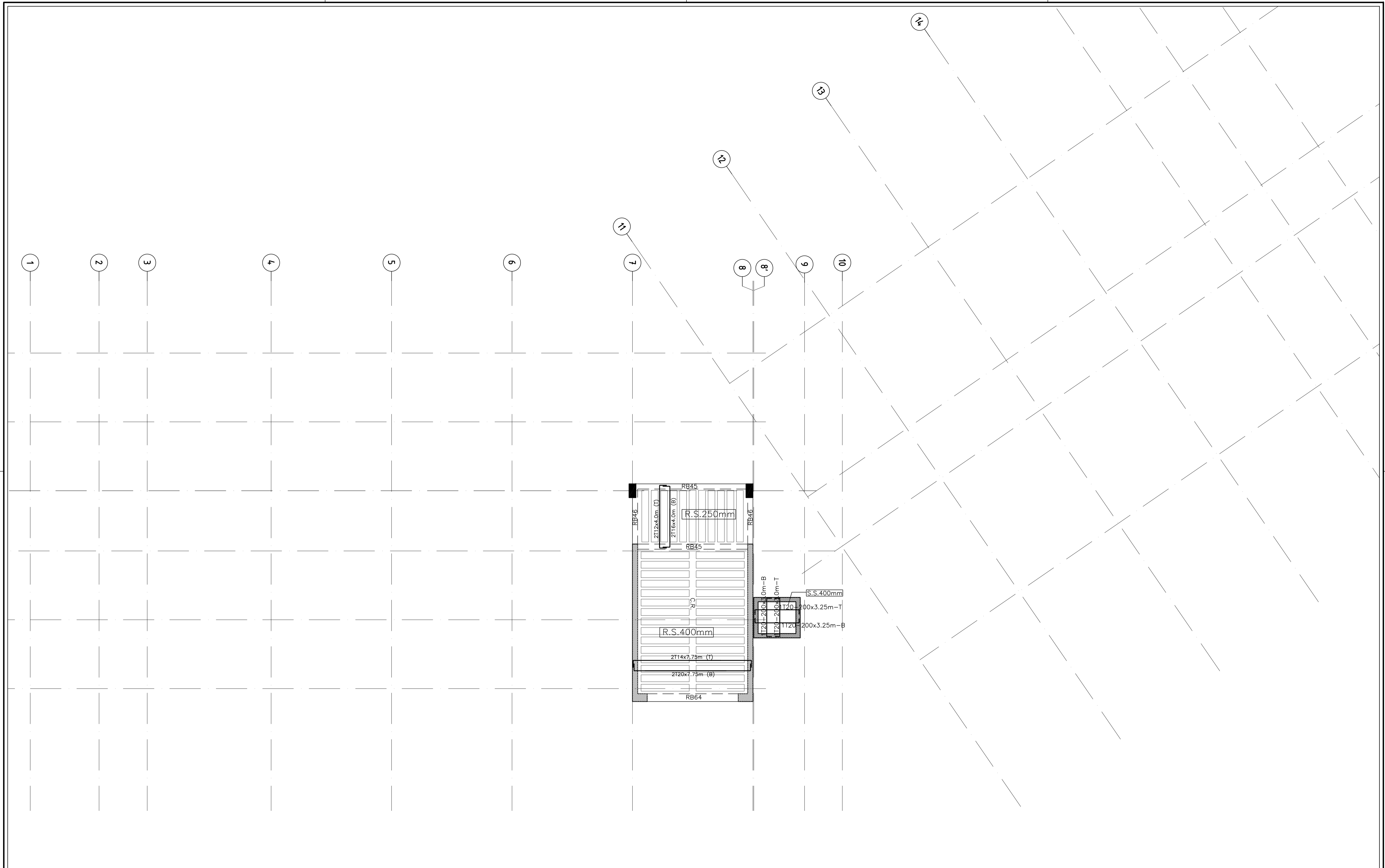
NOTES:



PHASE III
PACKAGE 1
UM AL DANANIR BASIC MIXED (AMMAN)
SCHOOLS FOR A KNOWLEDGE ECONOMY PROJECT (USAID SKEP)

DRAWING NAME:
TOP OF ROOF FLOOR FRAMING PLAN
-1-

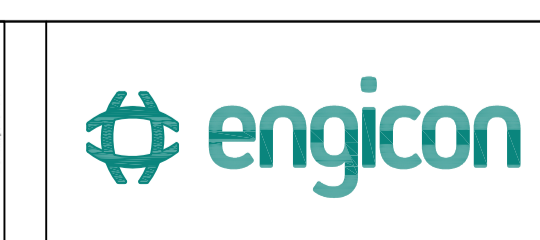
Design: A.K.H.	Drawn: CAD	Checked: R.K	North:
SCALE: 1/150	Date: JUNE 2020	Approved:	Rev.: 0
PLOT No: 568	LOCATION: UM AL DANANIR	BASIN NO: 002-ALQESHANEYEH	DRAWING NUMBER: SKEP 13-SSP415



ROOF FLOOR COLUMNS LAYOUT
1:100

REV.	DATE	REMARKS
0	JUNE 2020	VOL. IV - TENDER DRAWINGS

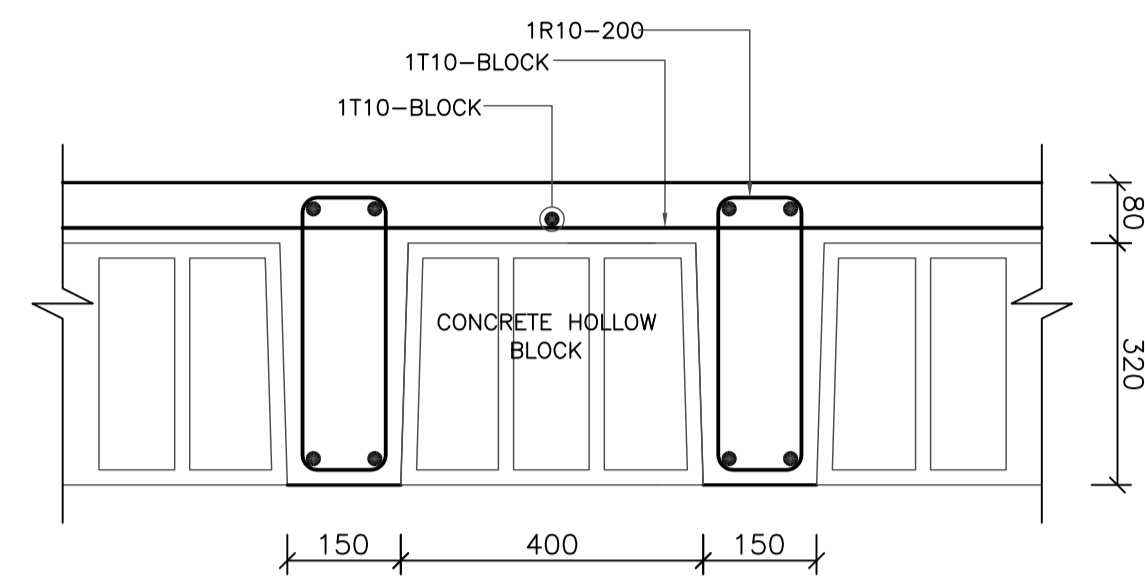
NOTES:



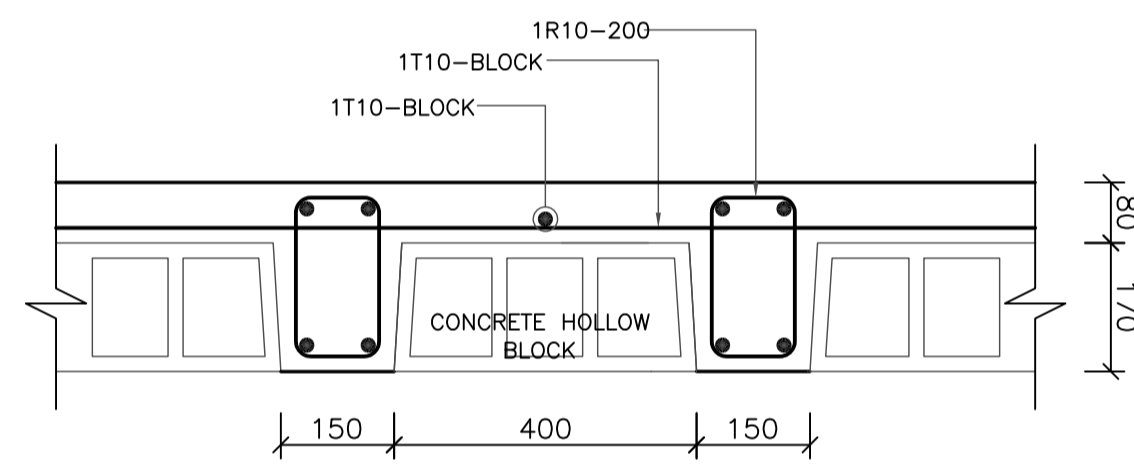
PHASE III
PACKAGE 1
UM AL DANANIR BASIC MIXED (AMMAN)
SCHOOLS FOR A KNOWLEDGE ECONOMY PROJECT (USAID SKEP)

DRAWING NAME:
TOP OF ROOF FLOOR FRAMING PLAN
-2-
PLOT No: 568
LOCATION: UM AL DANANIR
BASIN NO: 002-ALQESHANEYEH

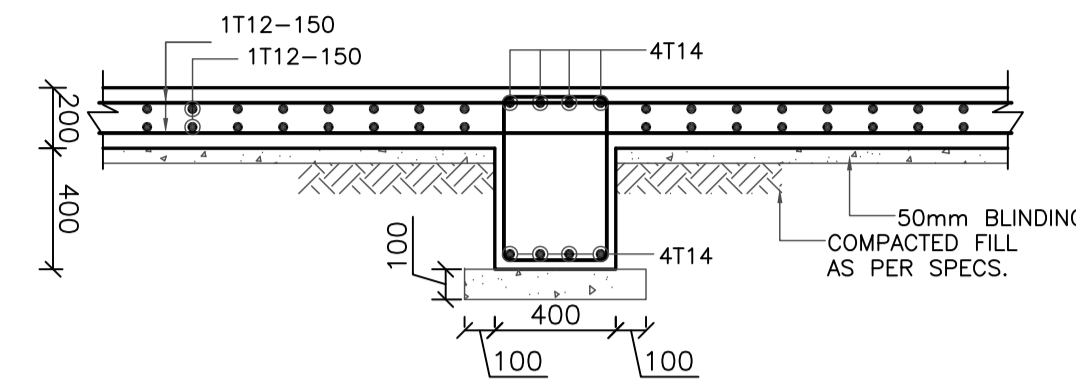
Design: A.KH.
SCALE: 1/100
Date: JUNE 2020
DRAWING NUMBER: SKEP 13-SSP416
Drawn: CAD
Checked: R.K
Approved:
Rev.: 0



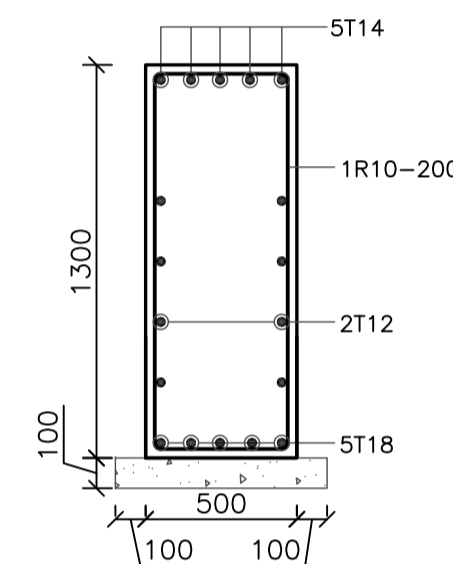
TYPICAL SECTION IN RIBBED SLAB 400mm
1:10



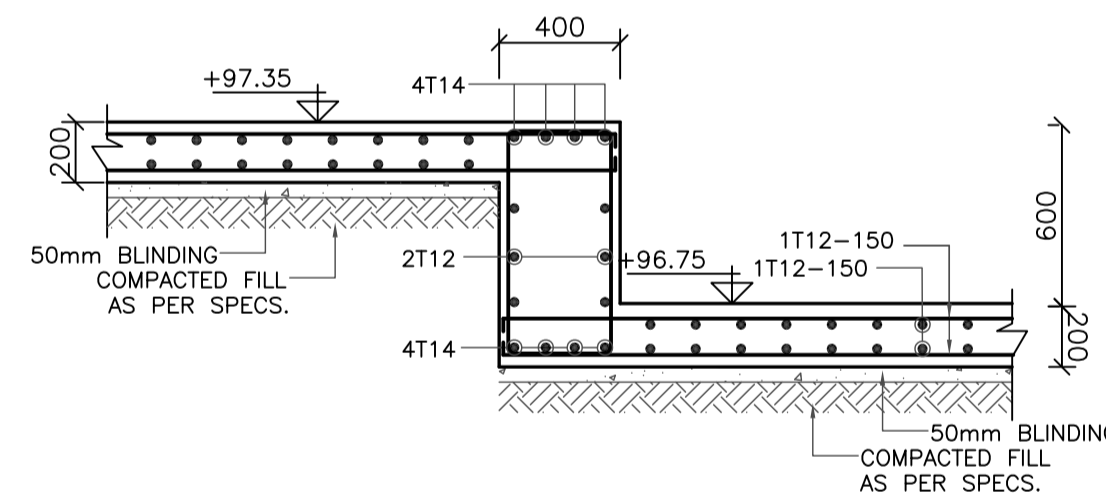
TYPICAL SECTION IN RIBBED SLAB 250mm
1:10



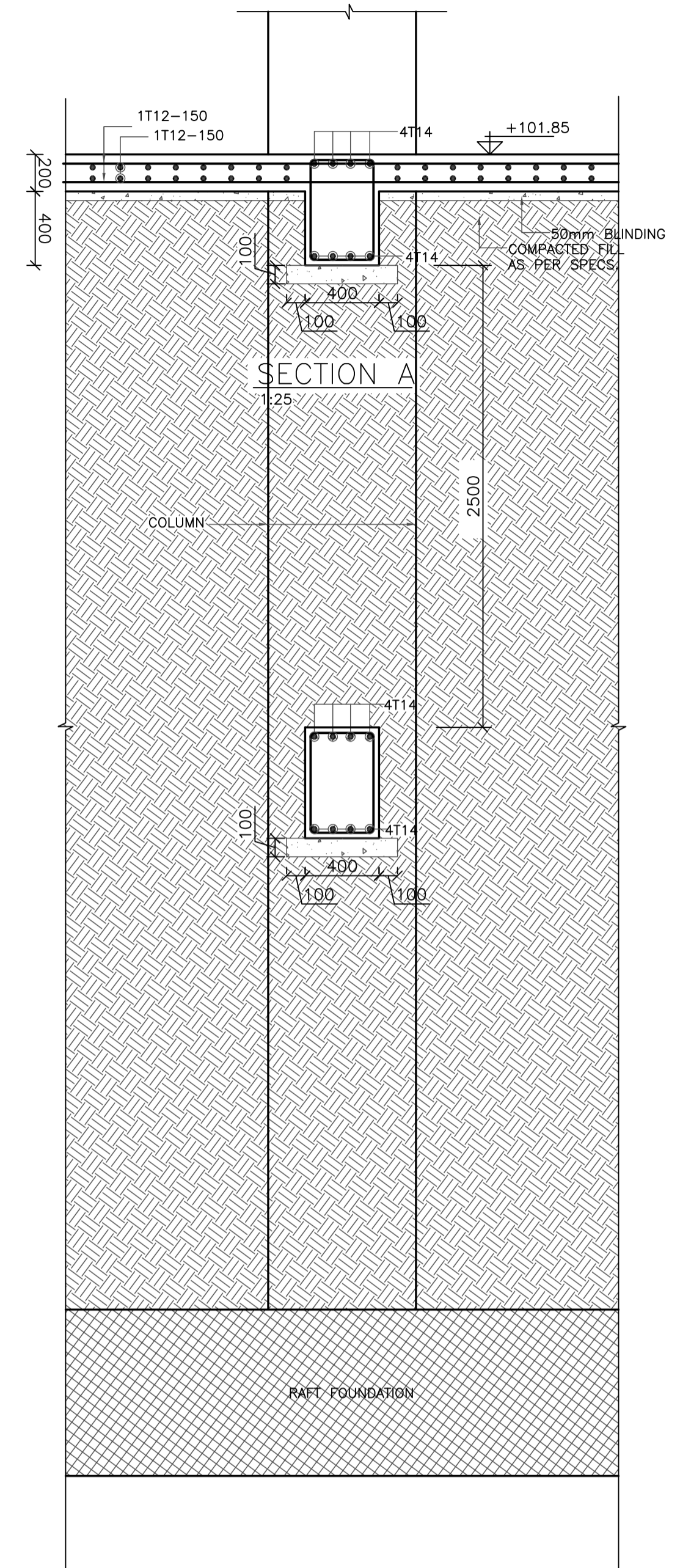
TIE BEAM DETAIL T.B.1
1:25



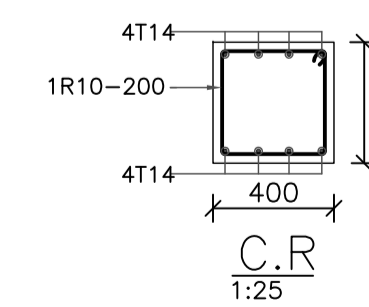
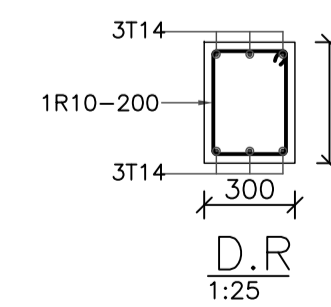
TIE BEAM DETAIL T.B.2
1:25



TIE BEAM DETAIL T.B.3
1:25



SECTION A
1:25



REV.	DATE	REMARKS
0	JUNE 2020	VOL. IV - TENDER DRAWINGS

NOTES:

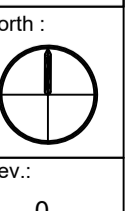


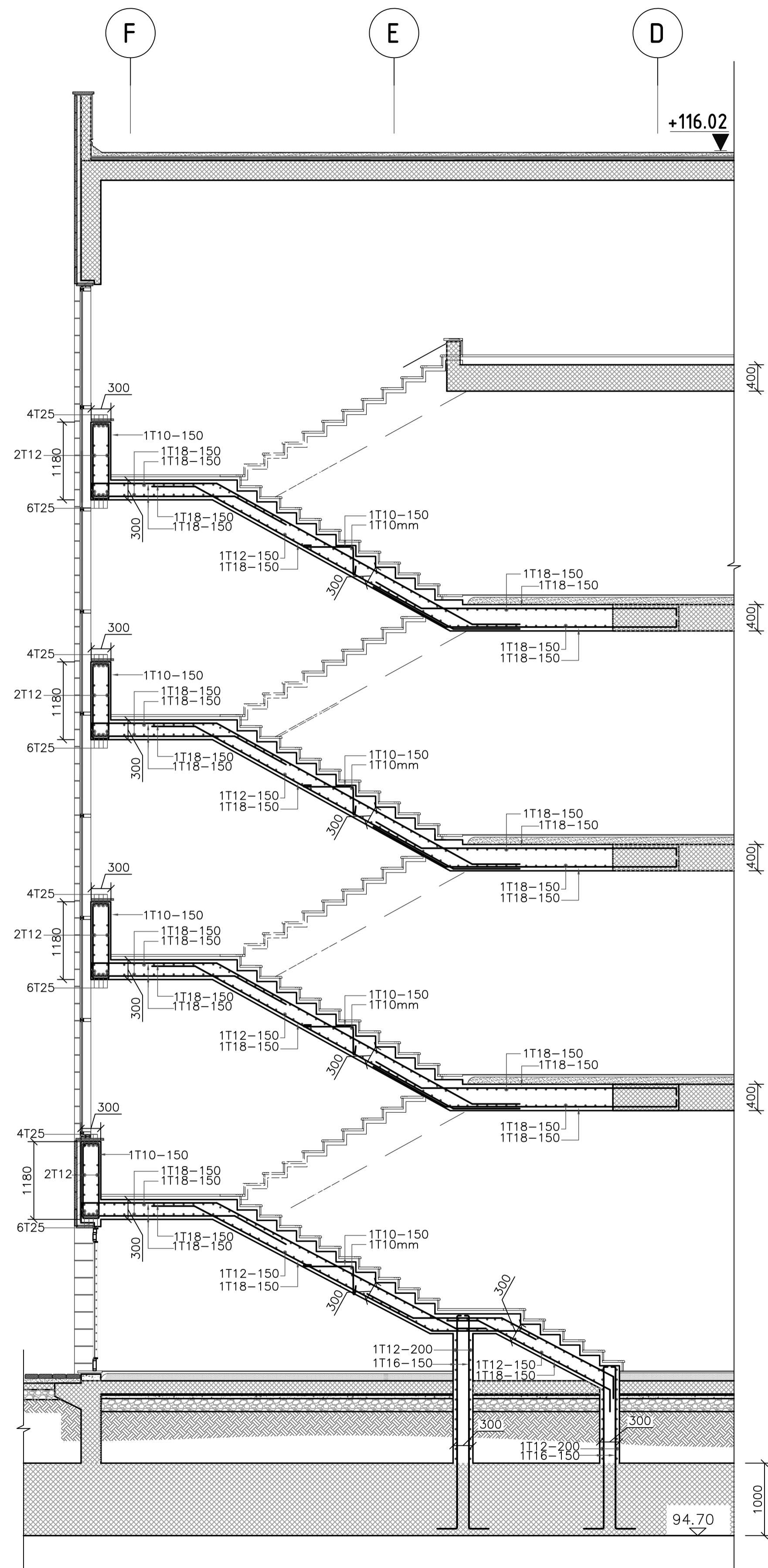
PHASE III
PACKAGE 1

UM AL DANANIR BASIC MIXED (AMMAN)
SCHOOLS FOR A KNOWLEDGE ECONOMY PROJECT (USAID SKEP)

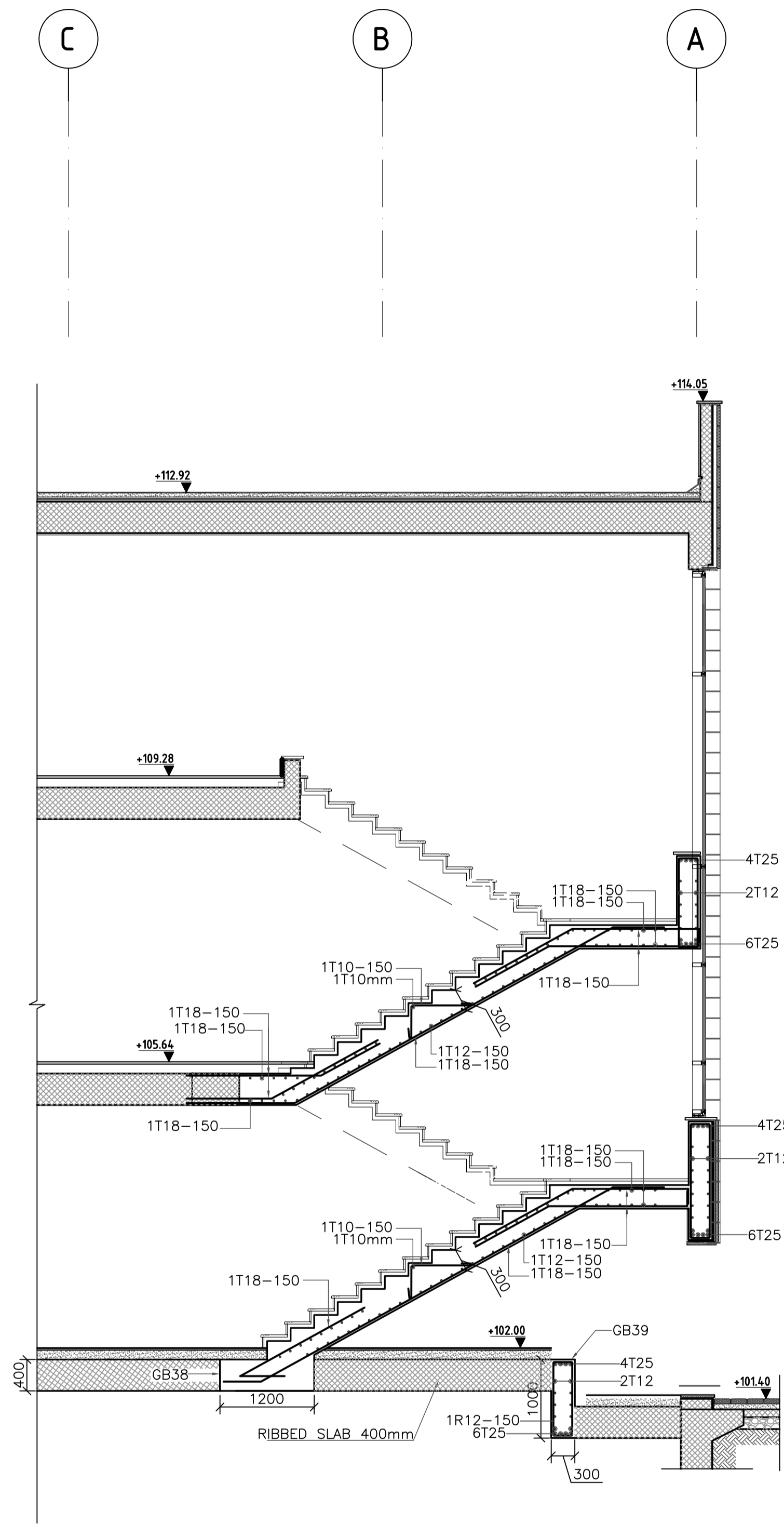
DRAWING NAME: STRUCTURAL DETAILS FOR SLABS
Design: A.KH. Drawn: CAD Checked: R.K.
SCALE: AS SHOWN Date: JUNE 2020 Approved:
DRAWING NUMBER: SKEP 13-SSP417

PLOT No: 568 LOCATION: UM AL DANANIR BASIN NO: 002-ALQESHANEYEH
Rev.: 0

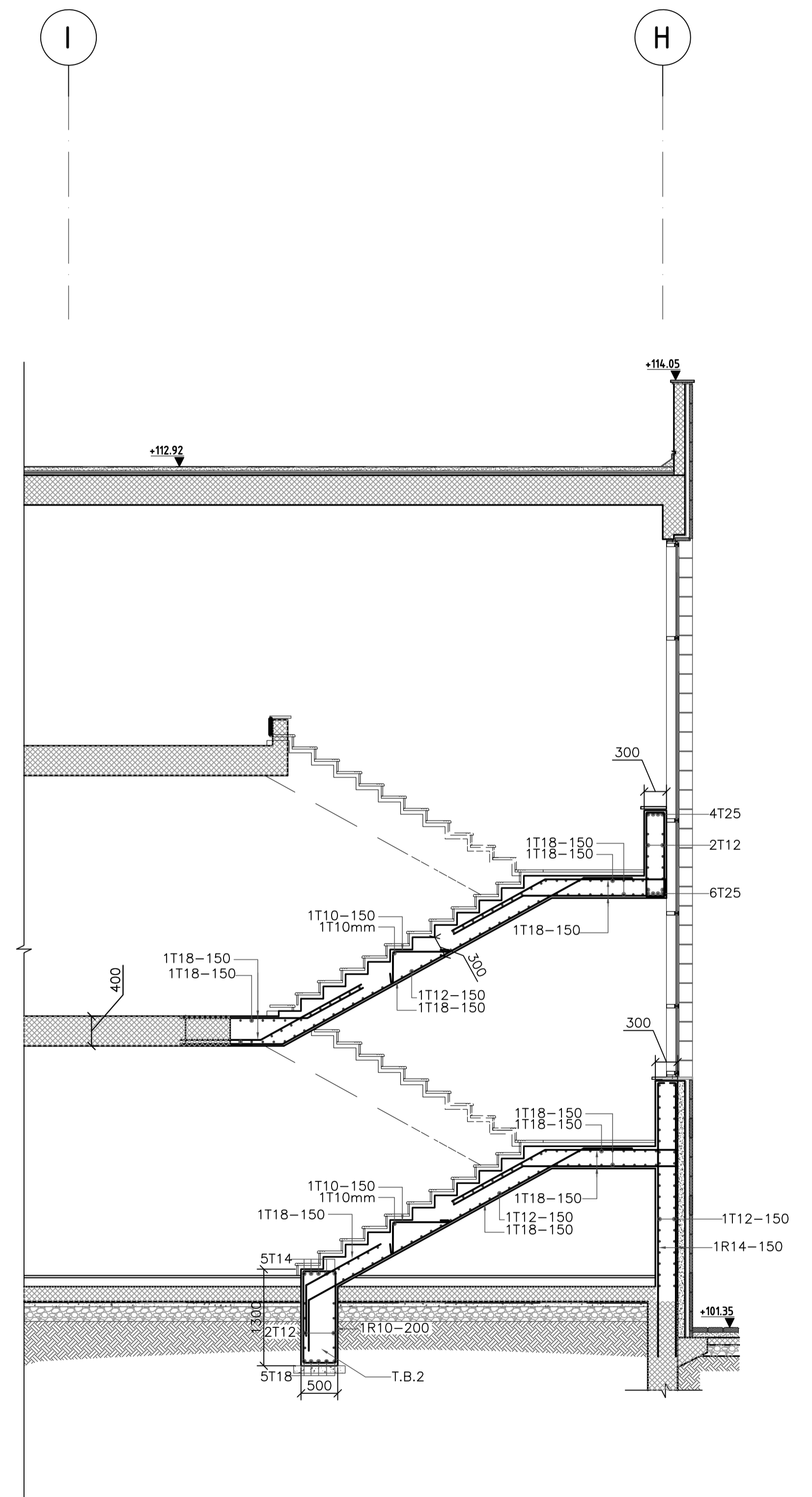




TYPICAL SECTION IN CORE 3
1:50



TYPICAL SECTION IN CORE 1
1:50



TYPICAL SECTION IN CORE 2
1:50

NOTES:

REV.	DATE	REMARKS
0	JUNE 2020	VOL. IV - TENDER DRAWINGS



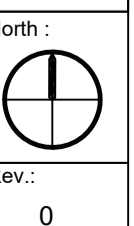
PHASE III
PACKAGE 1

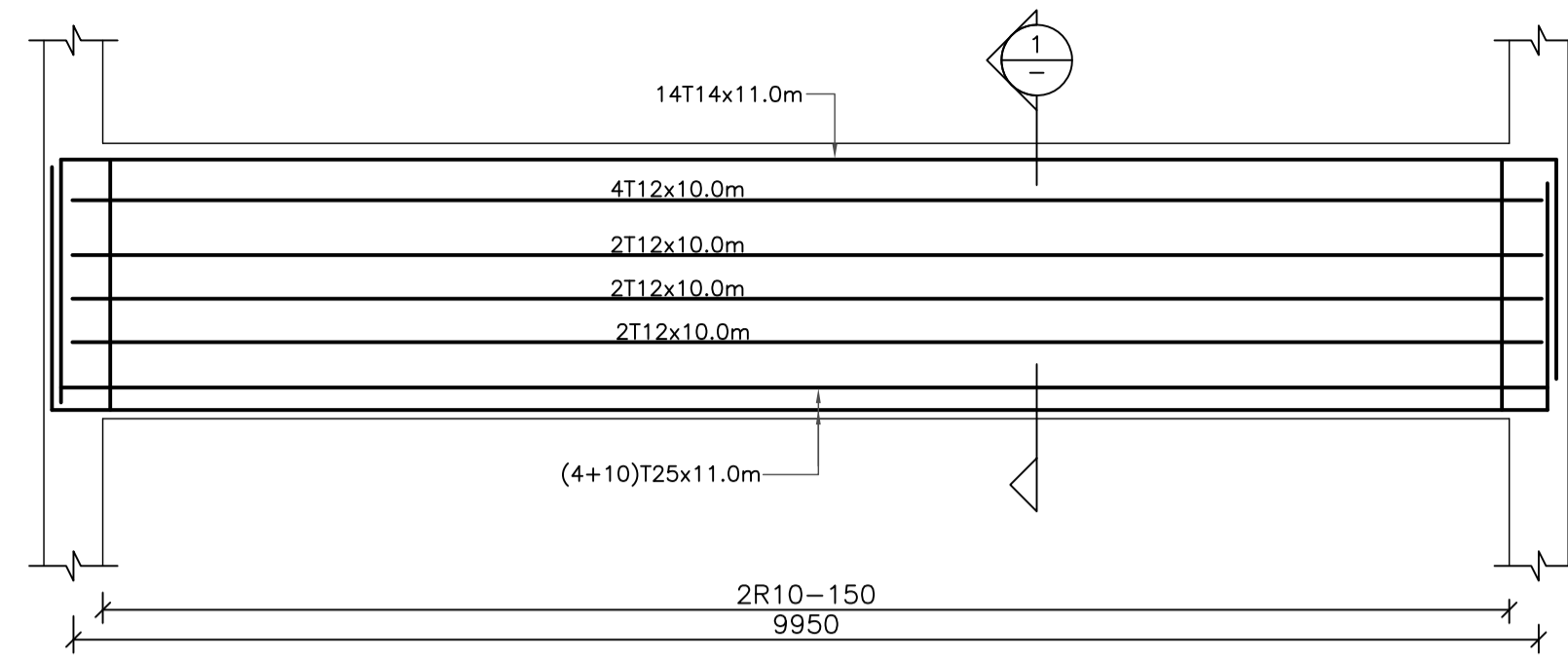
UM AL DANANIR BASIC MIXED (AMMAN)
SCHOOLS FOR A KNOWLEDGE ECONOMY PROJECT (USAID SKEP)

DRAWING NAME:
TYPICAL MAIN BUILDING STAIRS SECTIONS

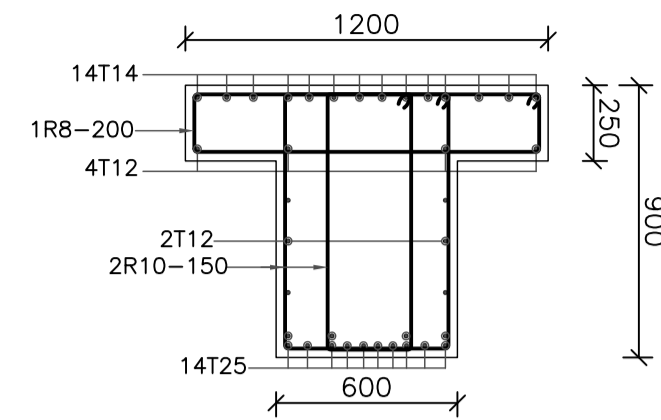
DESIGN: A.K.H.
SCALE: 1/50
DRAWING NUMBER: SKEP 13-SSP418

Design: A.K.H.
Date: JUNE 2020
Checked: R.K.
Approved:
Rev.: 0

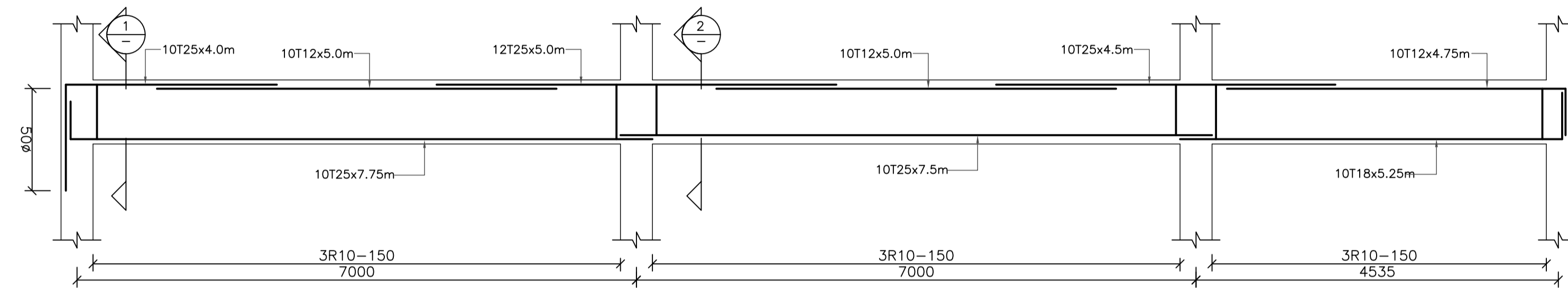




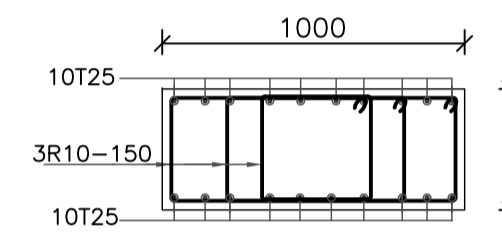
GB1
1:50/1:25



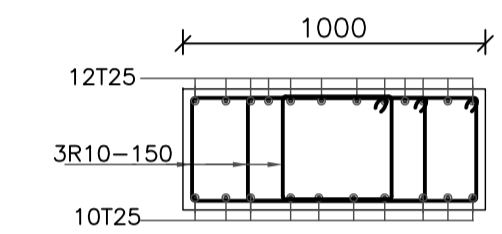
SECTION 1
1:25



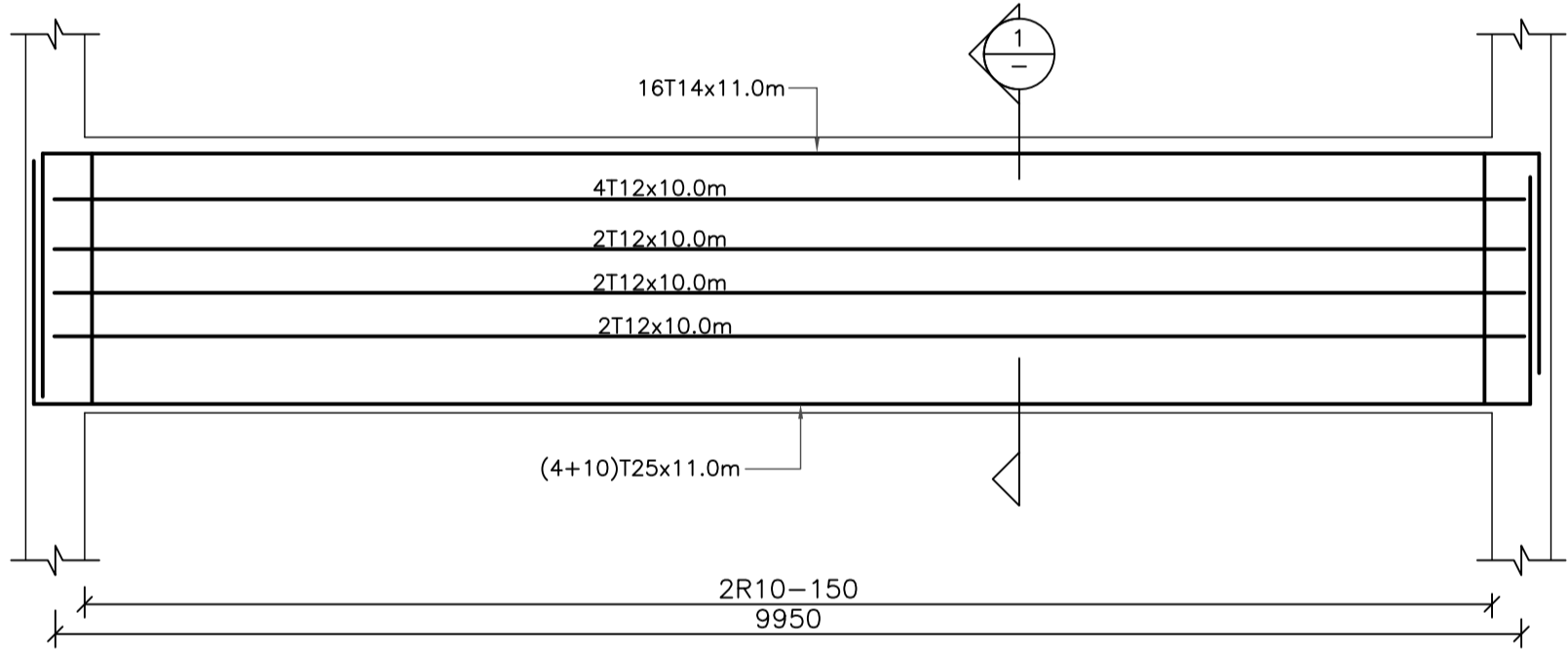
GB2/GB3/GB4
1:50/1:25



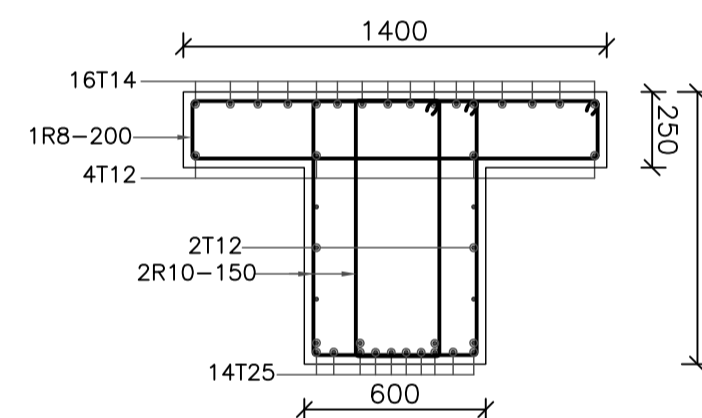
SECTION 1
1:25



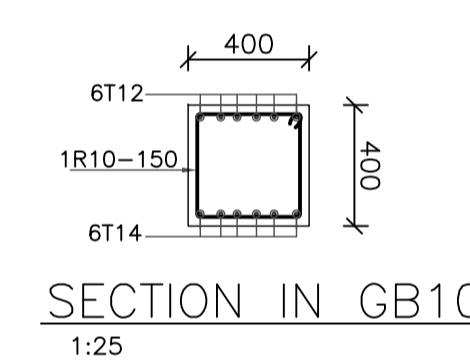
SECTION 2
1:25



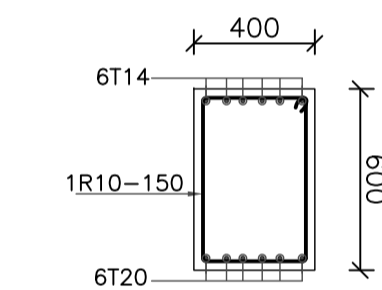
GB5
1:50/1:25



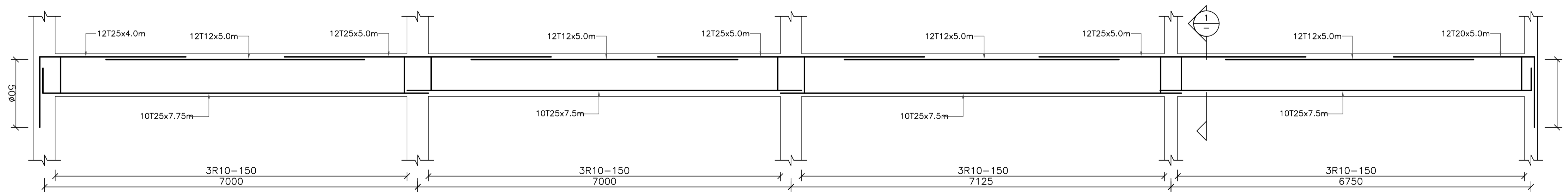
SECTION 1
1:25



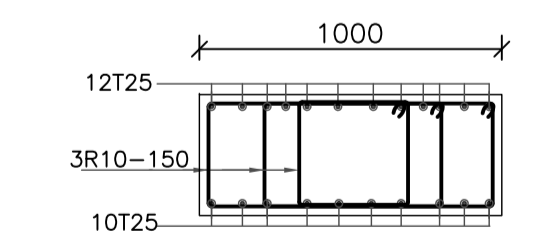
SECTION IN GB10
1:25



SECTION IN GB11
1:25



GB6/GB7/GB8/GB9
1:50/1:25



SECTION 1
1:25

REV.	DATE	REMARKS
0	JUNE 2020	VOL. IV - TENDER DRAWINGS

NOTES:



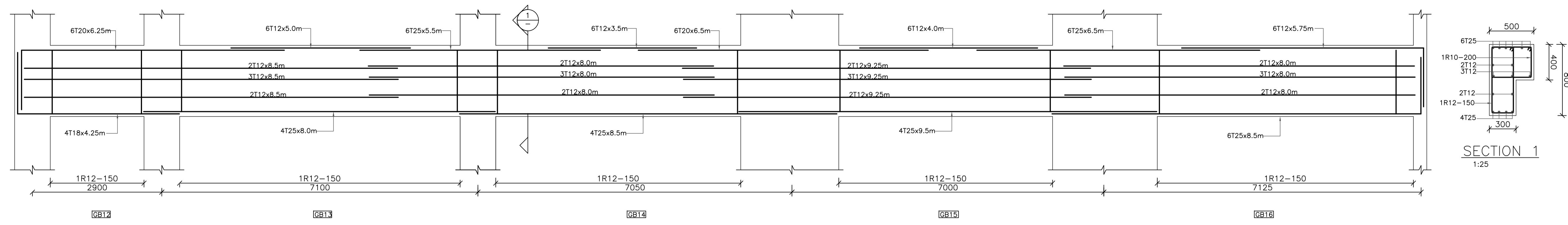
USAID
FROM THE AMERICAN PEOPLE



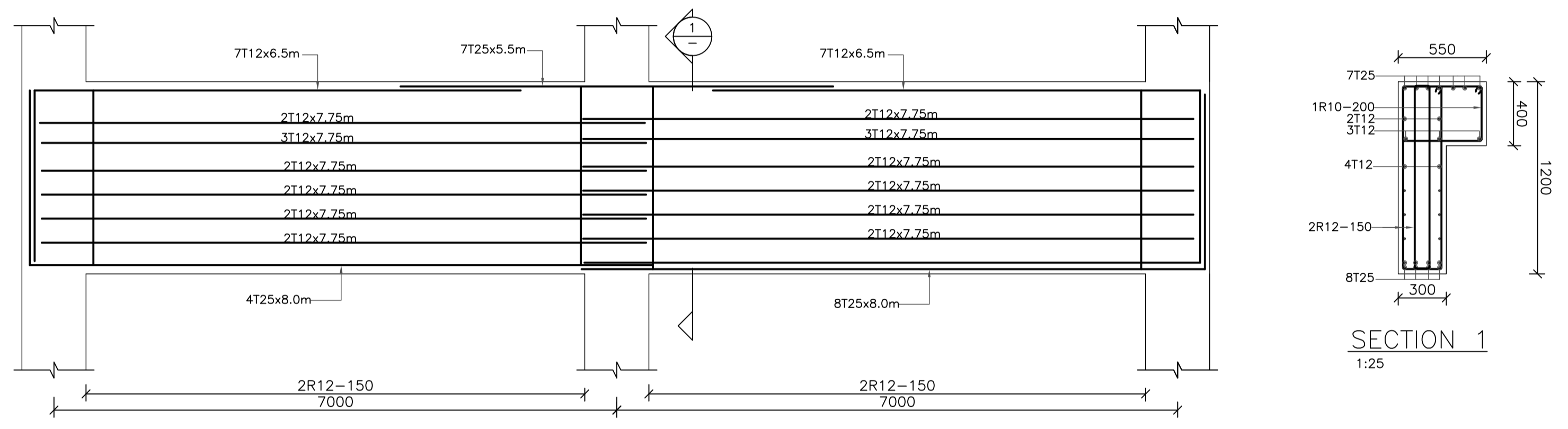
PHASE III
PACKAGE 1

UM AL DANANIR BASIC MIXED (AMMAN)
SCHOOLS FOR A KNOWLEDGE ECONOMY PROJECT (USAID SKEP)

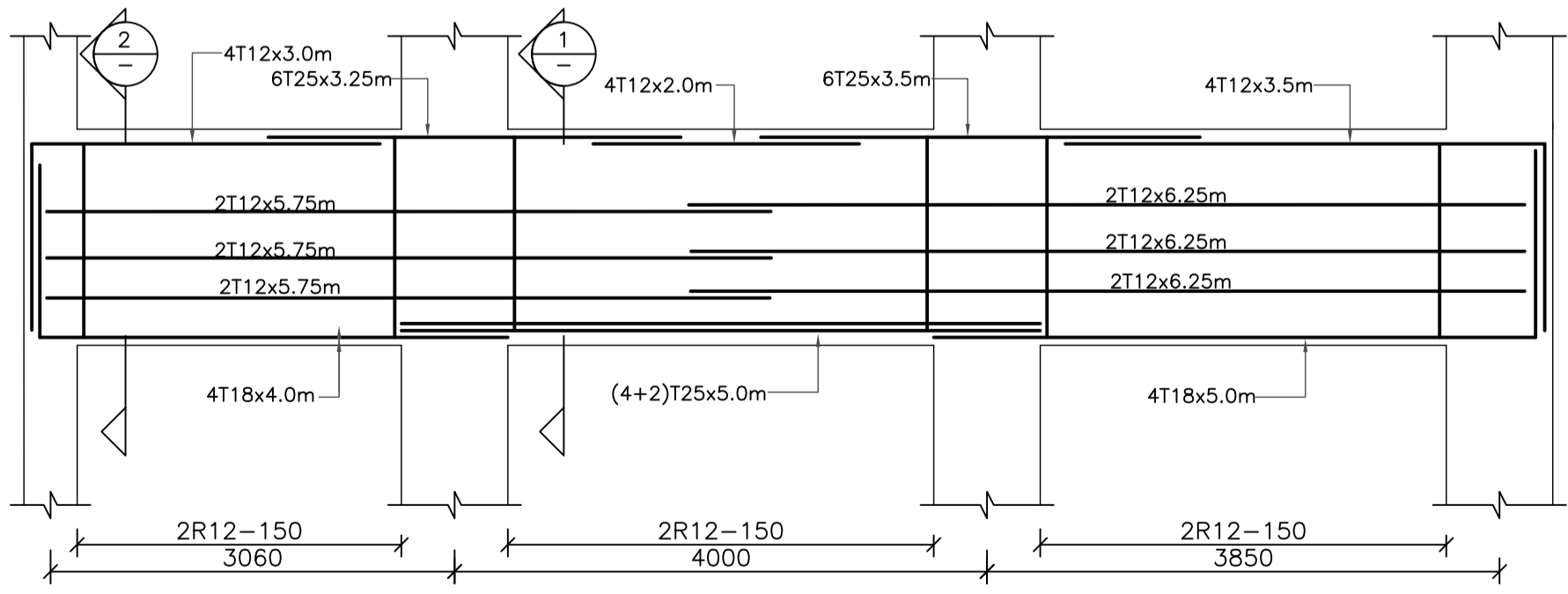
DRAWING NAME: GROUND FLOOR BEAMS -1-		Design: A.KH.	Drawn: CAD	Checked: R.K	North: ⊕
PLOT No: 568		LOCATION: UM AL DANANIR	BASIN NO: 002-ALQESHANEYEH	SCALE: 1/50	Date: JUNE 2020
DRAWING NUMBER: SKEP 13-SSB500		Rev.:		0	



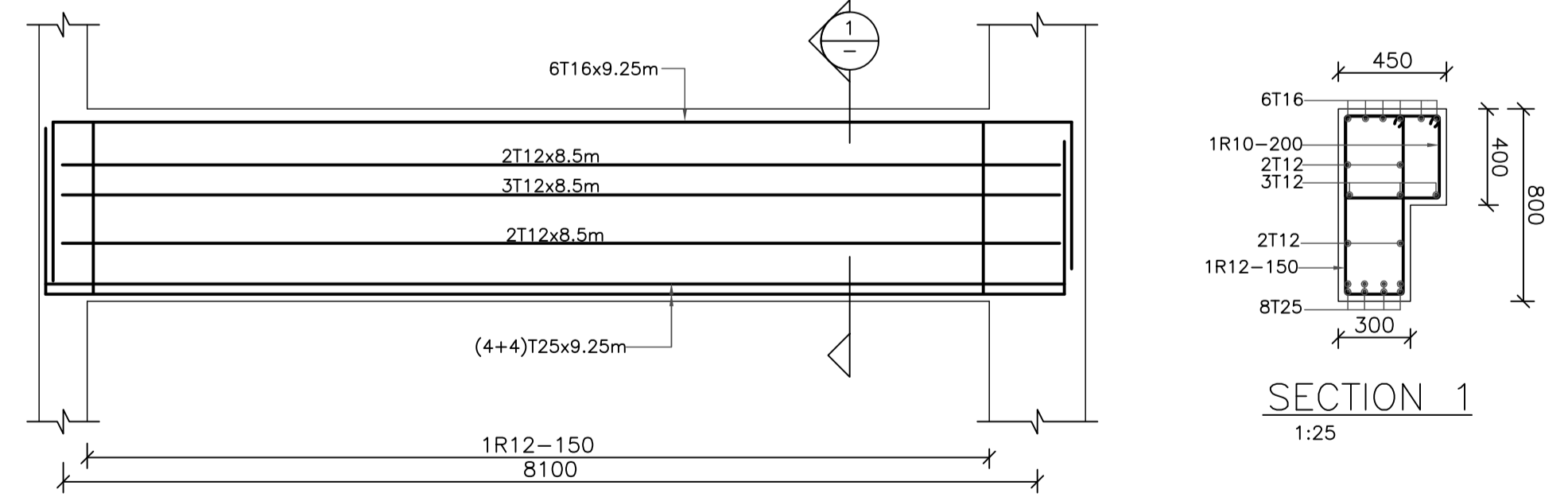
GB12/GB13/GB14/GB15/GB16
1:50/1:25



GB17/GB18
1:50/1:25



GB19/GB20/GB21
1:50/1:25



GB22
1:50/1:25

REV.	DATE	REMARKS
0	JUNE 2020	VOL. IV - TENDER DRAWINGS

NOTES:

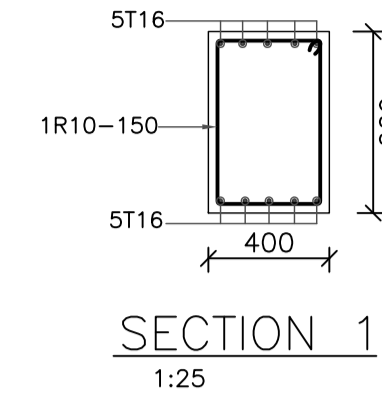
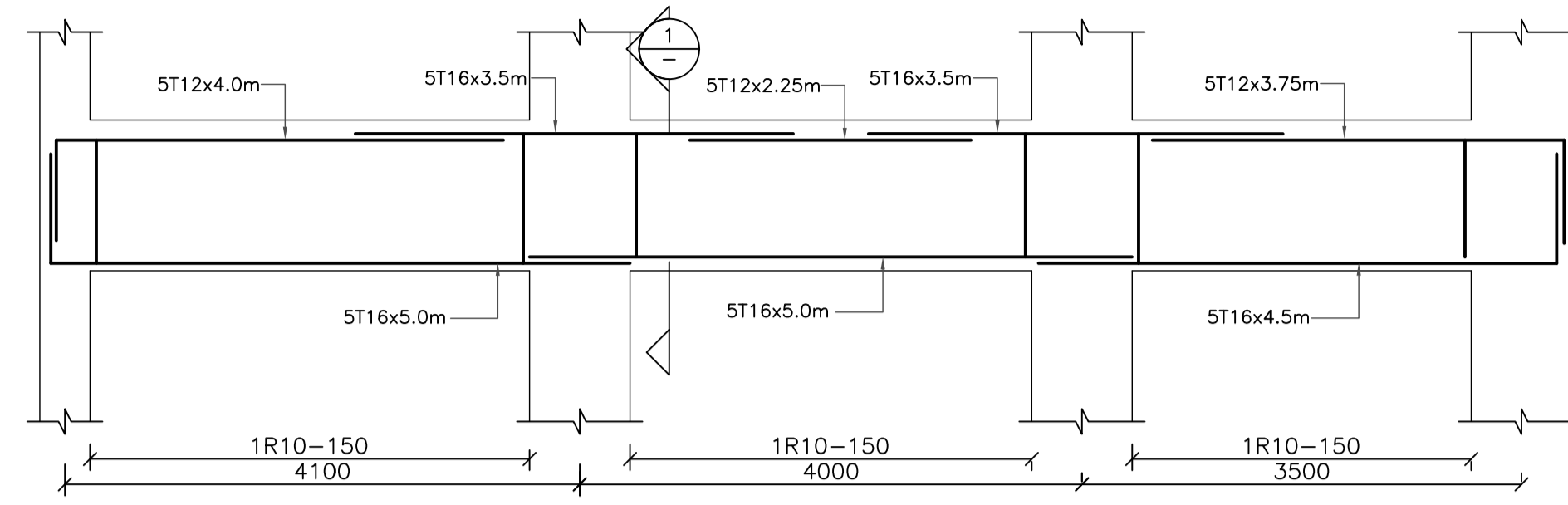


PHASE III
PACKAGE 1
UM AL DANANIR BASIC MIXED (AMMAN)
SCHOOLS FOR A KNOWLEDGE ECONOMY PROJECT (USAID SKEP)

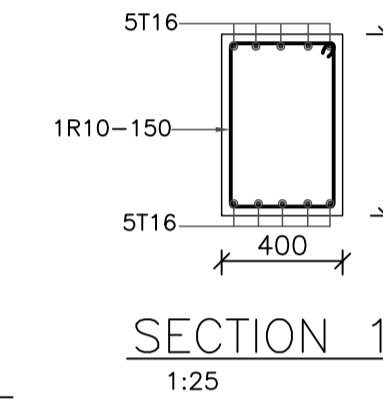
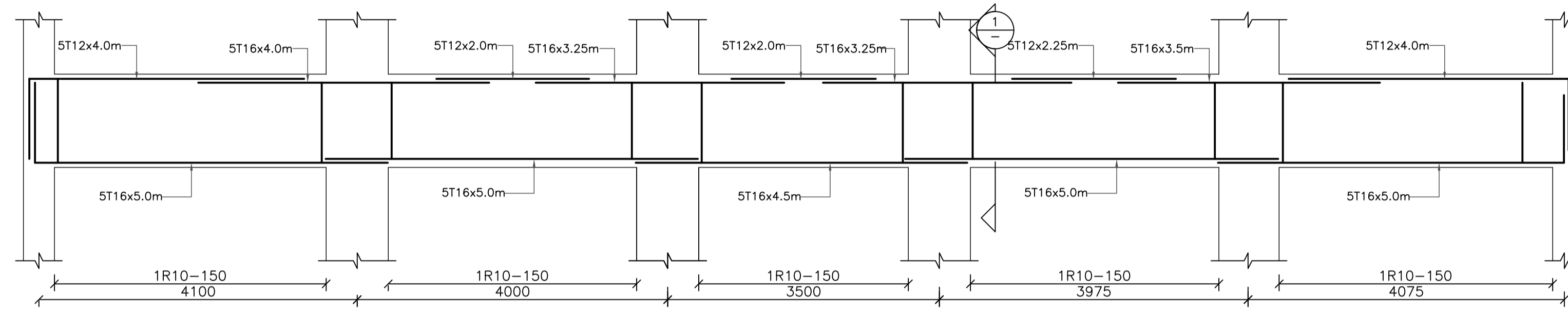
DRAWING NAME:
GROUND FLOOR BEAMS -2-
PLOT No 568
LOCATION UM AL DANANIR
BASIN NO 002-ALQESHANEYEH

Design: A.KH.
SCALE: 1/50
Date: JUNE 2020
DRAWING NUMBER: SKEP 13-SSB501

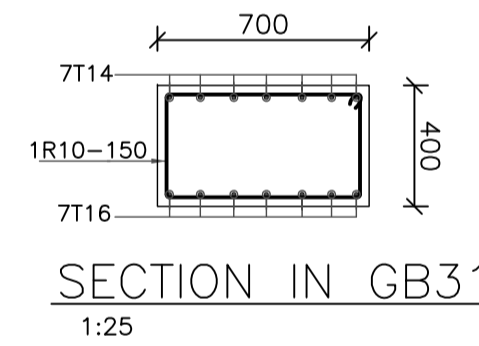
Checked: R.K.
Approved:
Rev.: 0



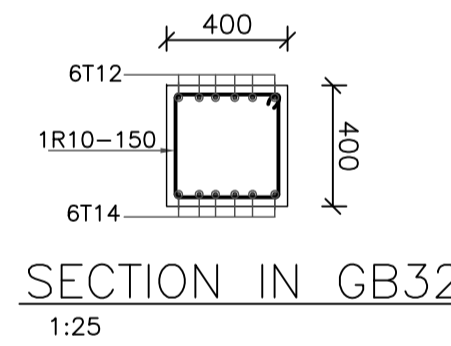
GB23/GB24/GB25
1:50/1:25



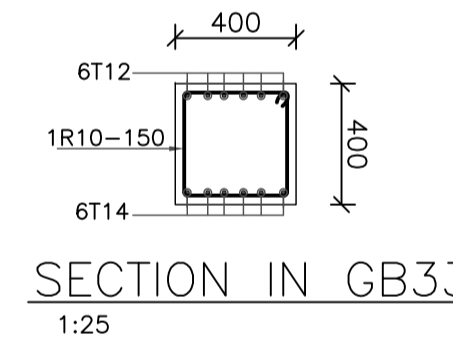
GB26/GB27/GB28/GB29/GB30
1:50/1:25



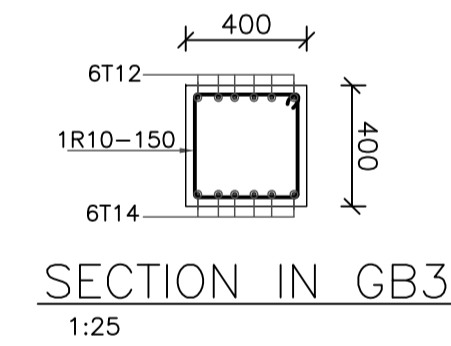
SECTION IN GB31
1:25



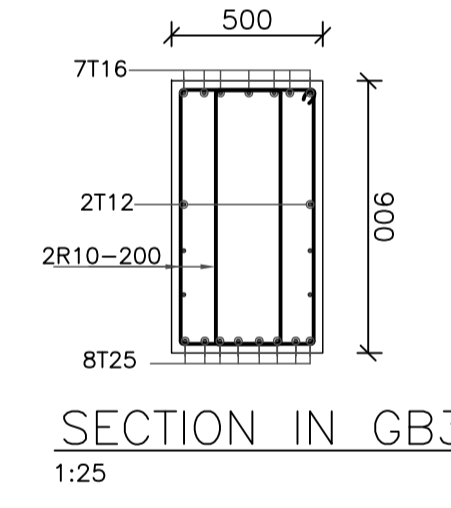
SECTION IN GB32
1:25



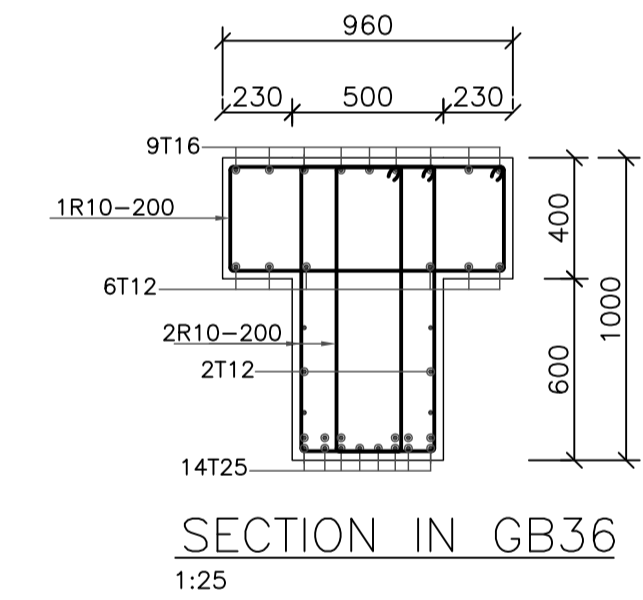
SECTION IN GB33
1:25



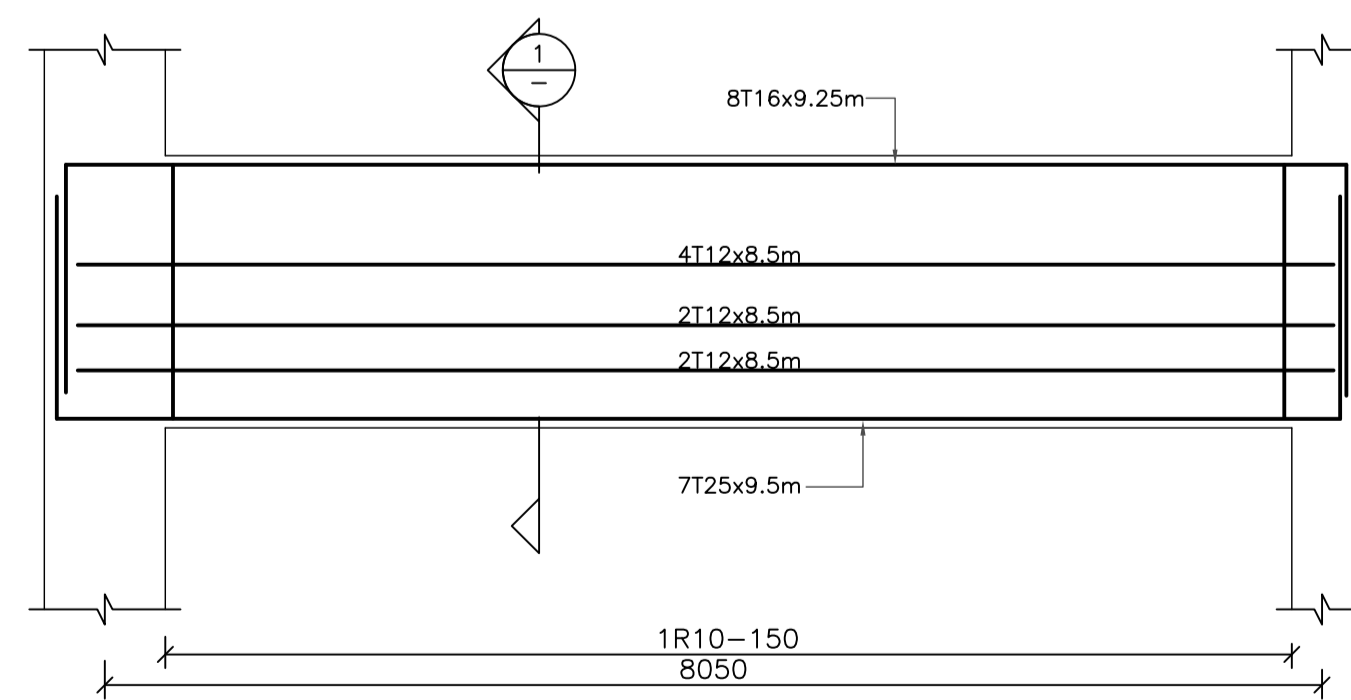
SECTION IN GB34
1:25



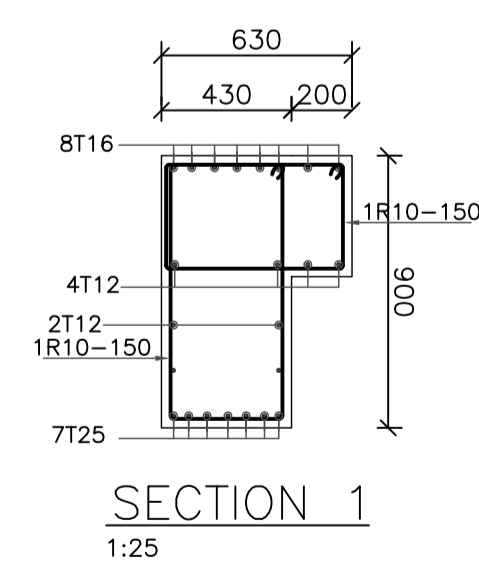
SECTION IN GB37
1:25



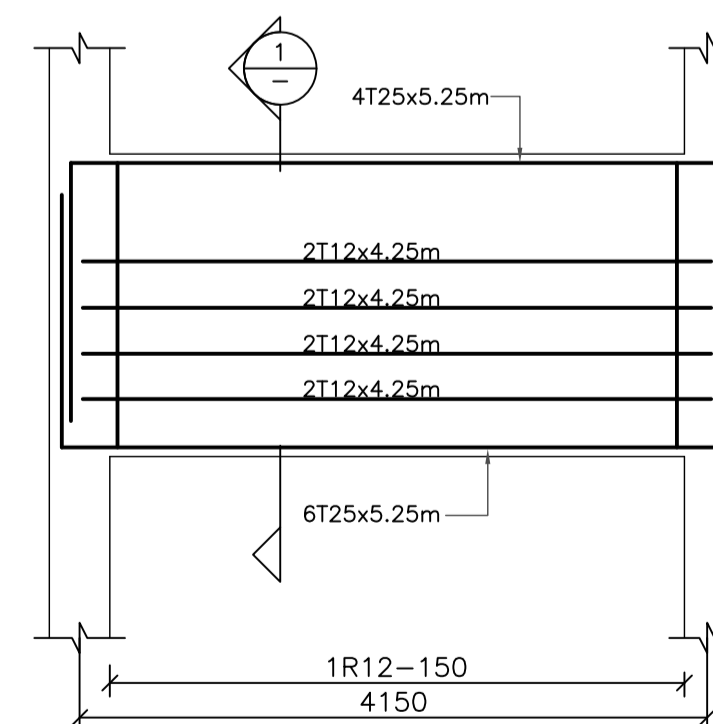
SECTION IN GB36
1:25



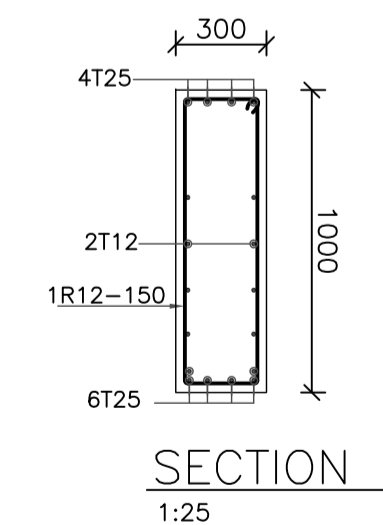
GB35
1:50/1:25



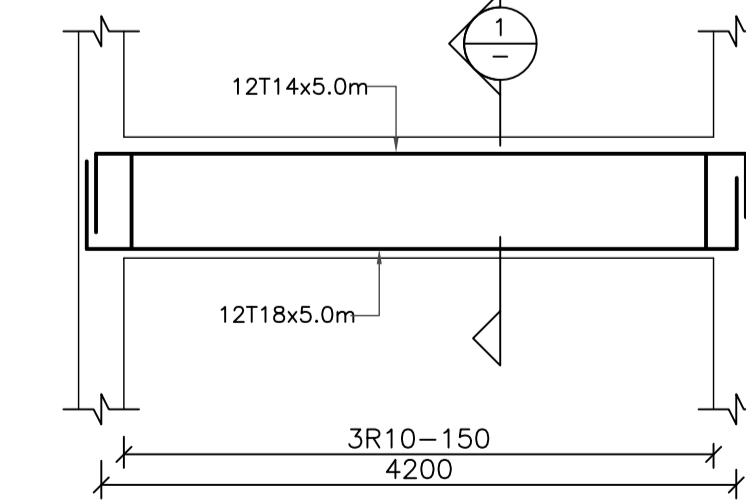
SECTION 1
1:25



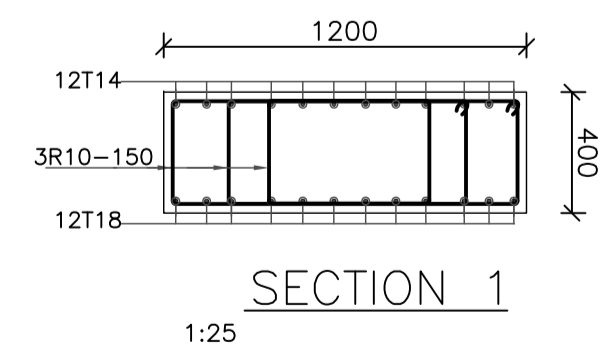
GB39
1:50/1:25



SECTION 1
1:25



GB38
1:50/1:25



SECTION 1
1:25

REV.	DATE	REMARKS
0	JUNE 2020	VOL. IV - TENDER DRAWINGS

NOTES:



USAID
FROM THE AMERICAN PEOPLE

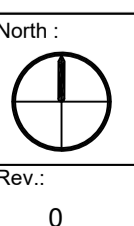


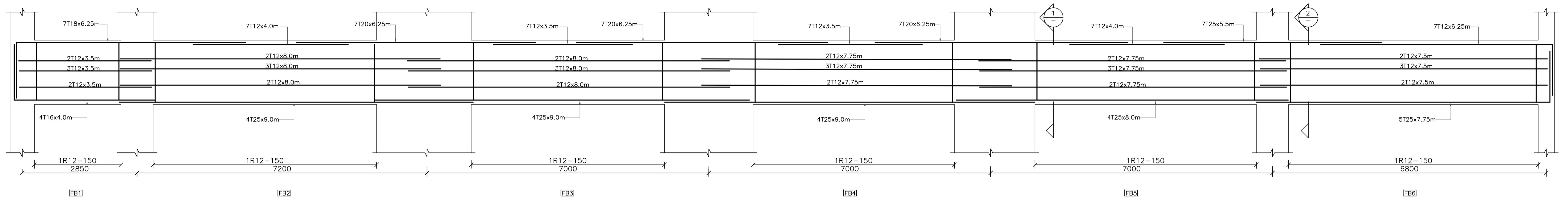
PHASE III
PACKAGE 1

UM AL DANANIR BASIC MIXED (AMMAN)
SCHOOLS FOR A KNOWLEDGE ECONOMY PROJECT (USAID SKEP)

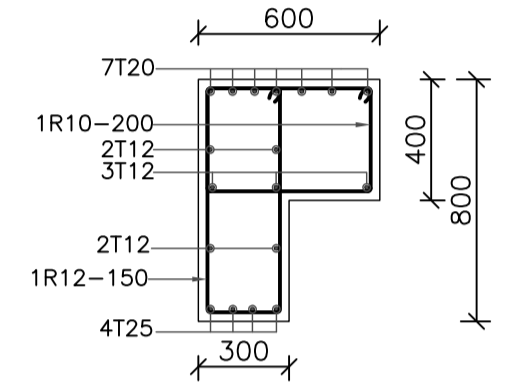
DRAWING NAME:
GROUND FLOOR BEAMS -3-

Design: A.KH.
SCALE: 1/50
Date: JUNE 2020
Checked: R.K.
Approved:
DRAWING NUMBER: SKEP 13-SSB502
Rev.: 0

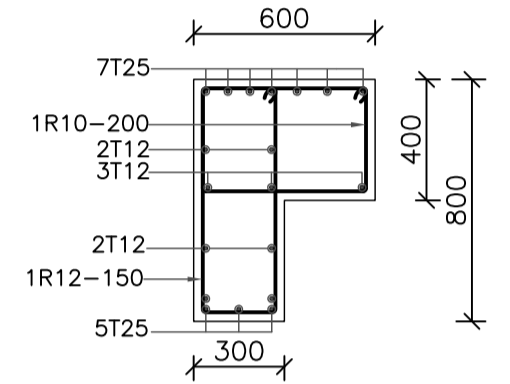




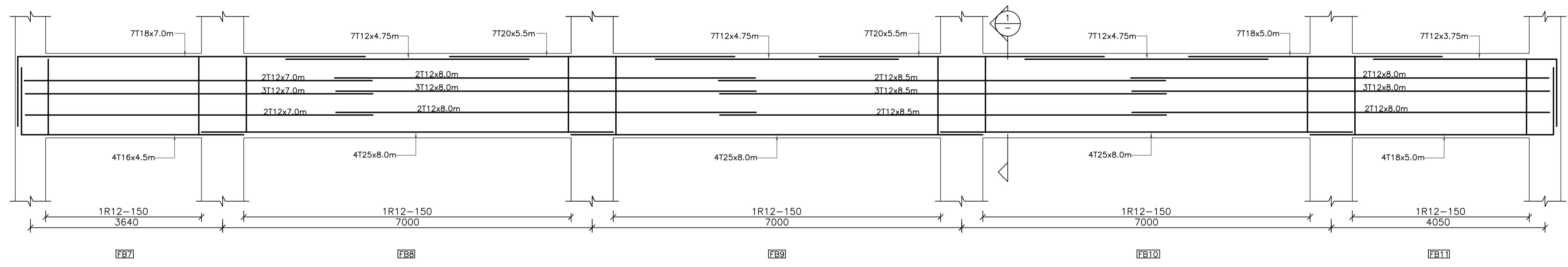
FB1/FB2/FB3/FB4/FB5/FB6
1:50/1:25



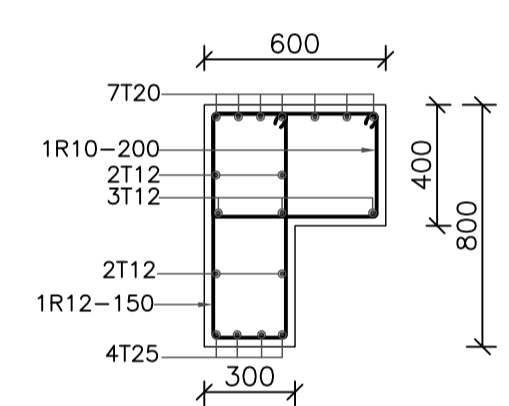
SECTION 1 (IN FB1...FB6)
1:25



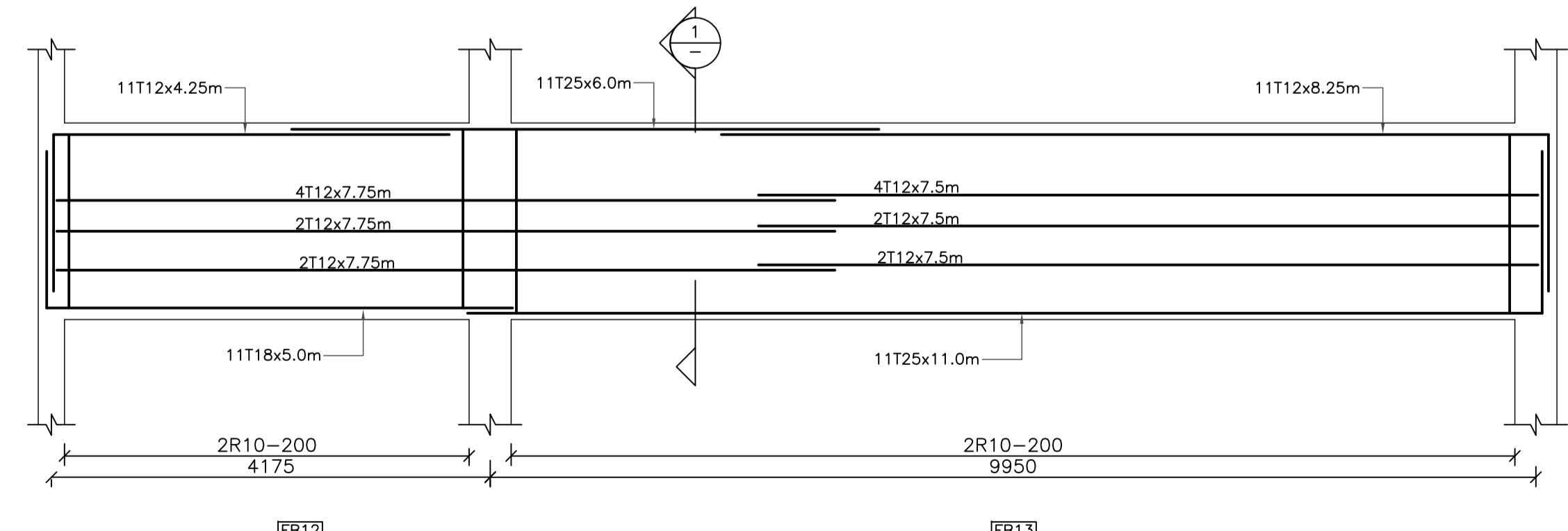
SECTION 2 (IN FB1...FB6)
1:25



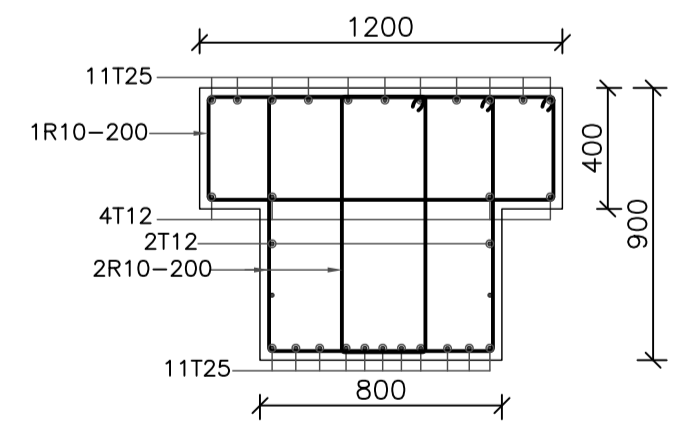
FB7/FB8/FB9/FB10/FB11
1:50/1:25



SECTION 1
1:25



FB12/FB13
1:50/1:25



SECTION 1
1:25

REV.	DATE	REMARKS
0	JUNE 2020	VOL. IV - TENDER DRAWINGS

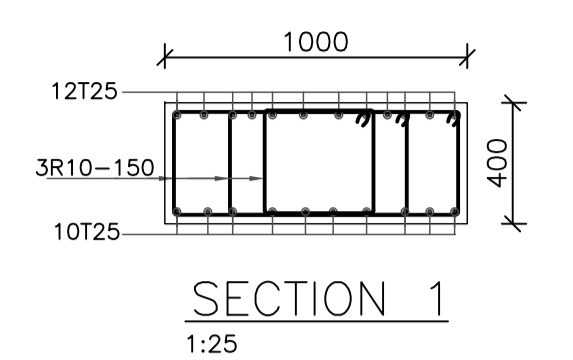
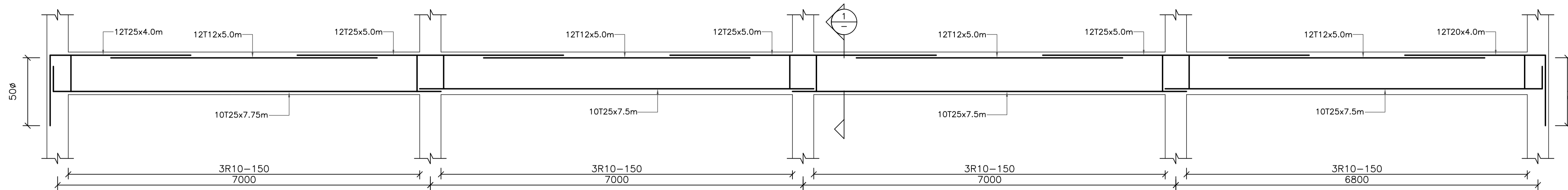
NOTES:



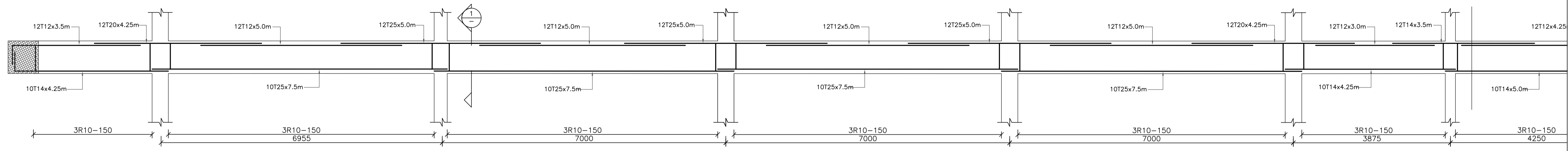
PHASE III
PACKAGE 1
UM AL DANANIR BASIC MIXED (AMMAN)
SCHOOLS FOR A KNOWLEDGE ECONOMY PROJECT (USAID SKEP)

DRAWING NAME:
FIRST FLOOR BEAMS-1-
Design: A.KH.
SCALE: 1/50
Date: JUNE 2020
DRAWING NUMBER:
SKEP 13-SSB503

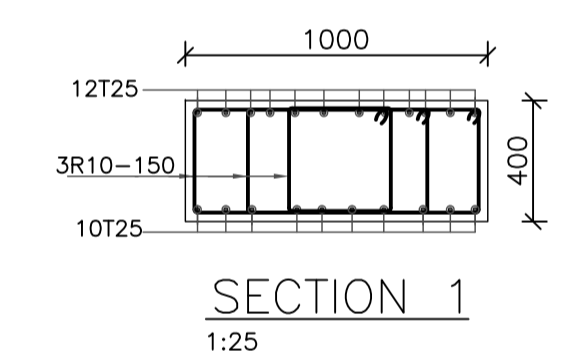
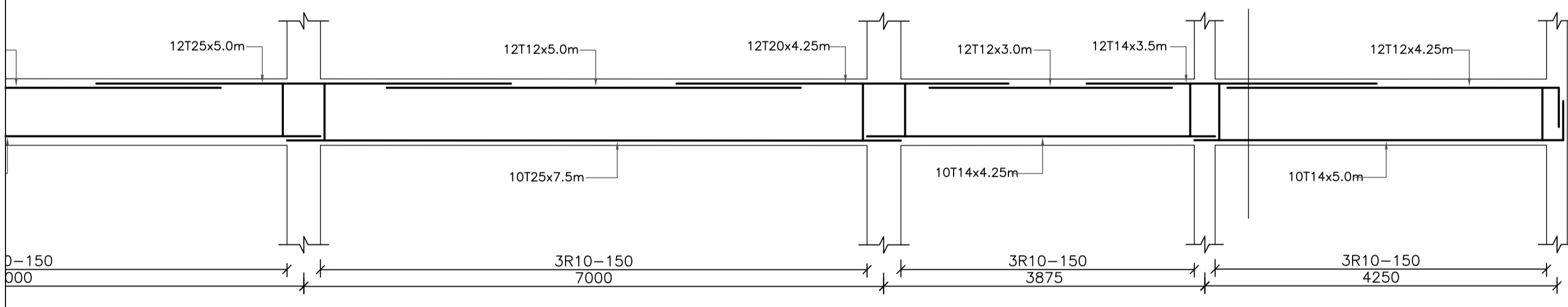
Drawn: CAD	Checked: R.K	North:
Date: JUNE 2020	Approved:	
Rev.: 0		



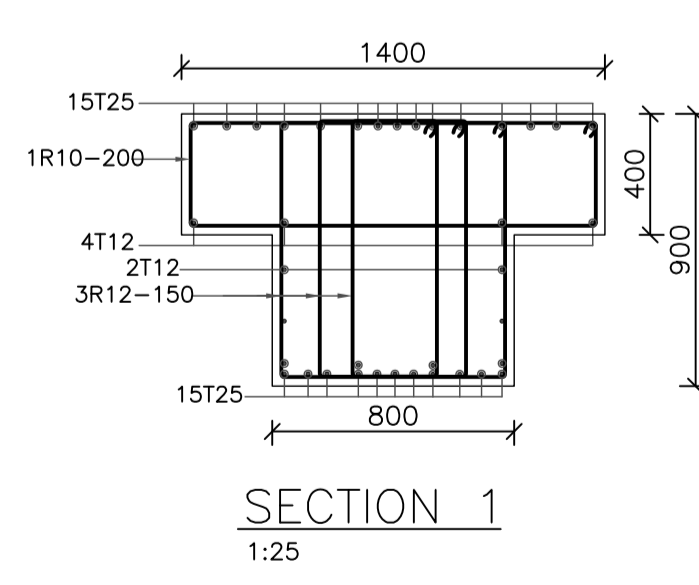
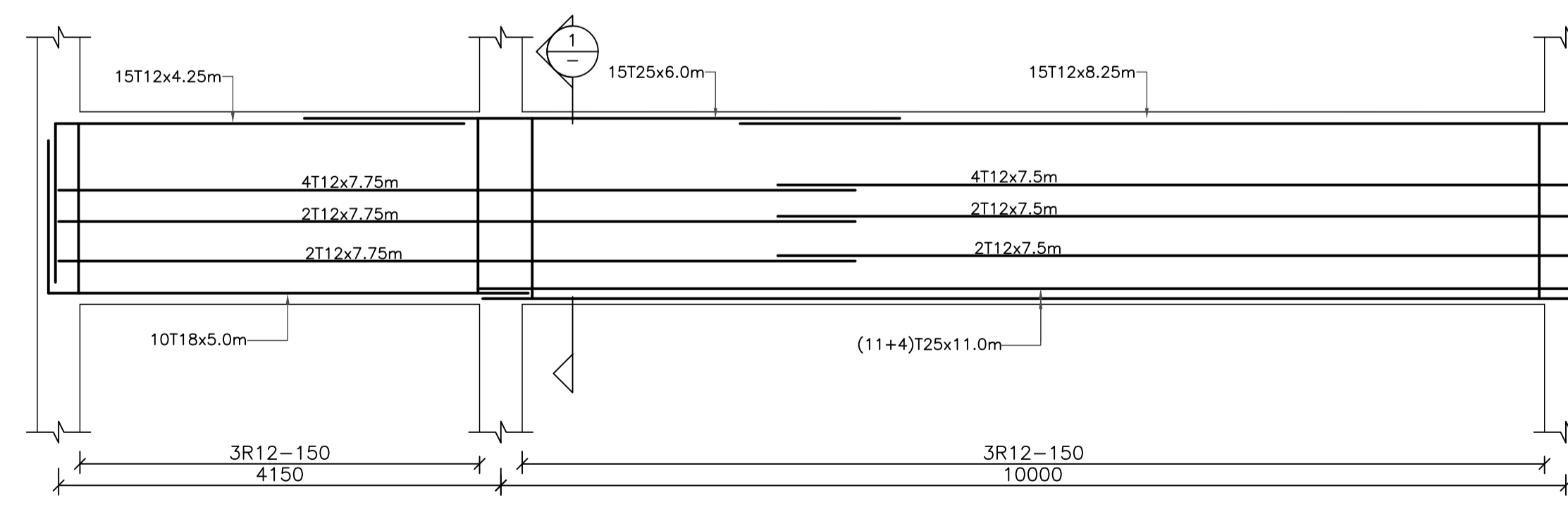
FB14/FB15/FB16/FB17
1:50/1:25



FB18/FB19/FB20/FB21/FB22/FB23/FB24
1:50/1:25



FB21/FB22/FB23/FB24
1:50/1:25



FB25/FB26
1:50/1:25

REV.	DATE	REMARKS
0	JUNE 2020	VOL. IV - TENDER DRAWINGS

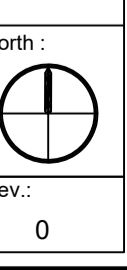
NOTES:

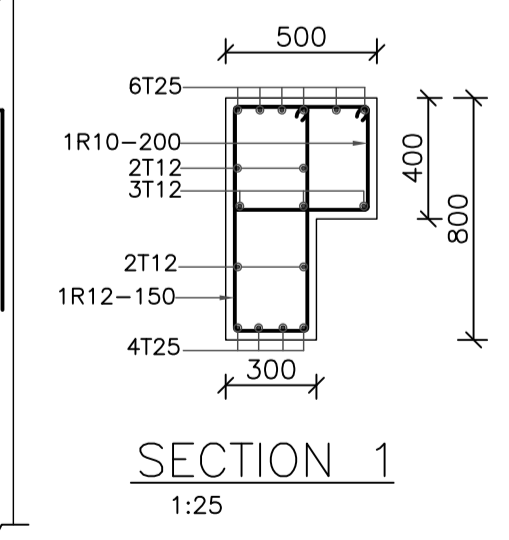
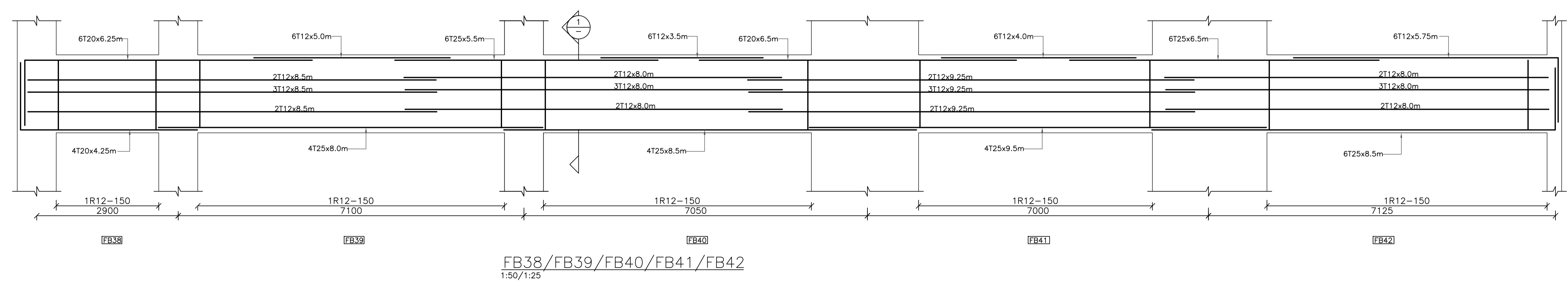
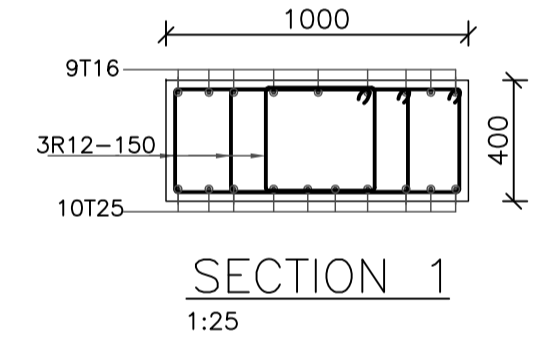
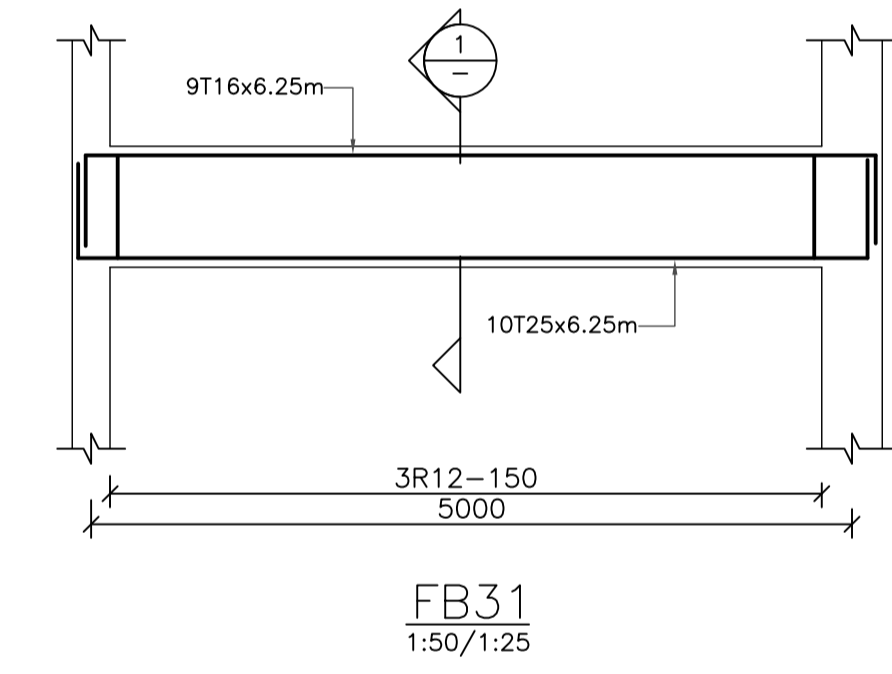
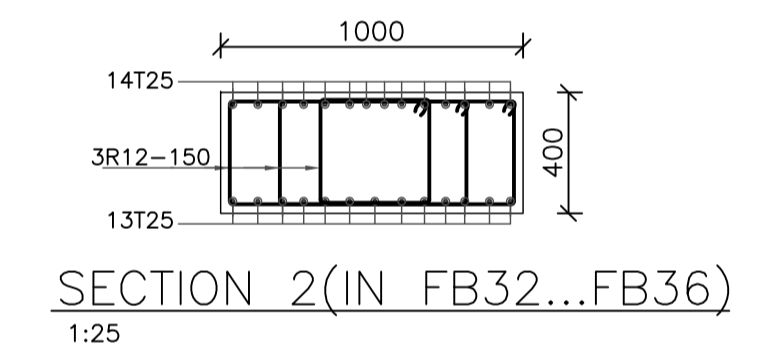
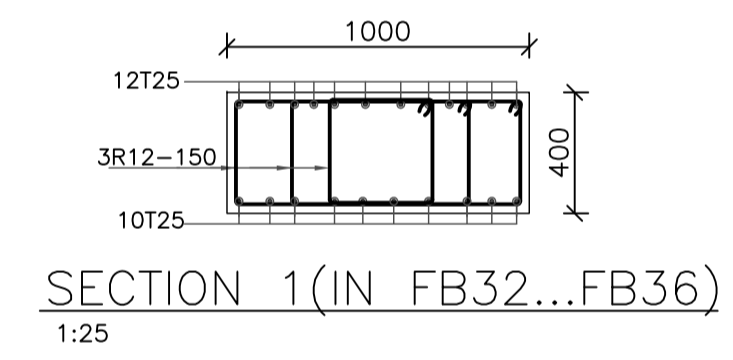
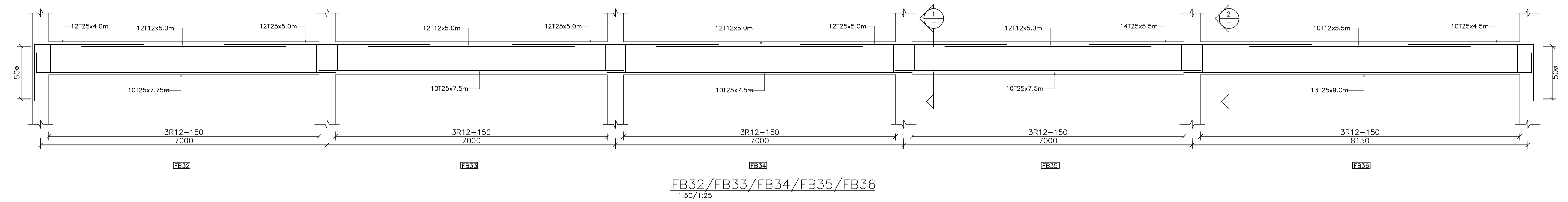
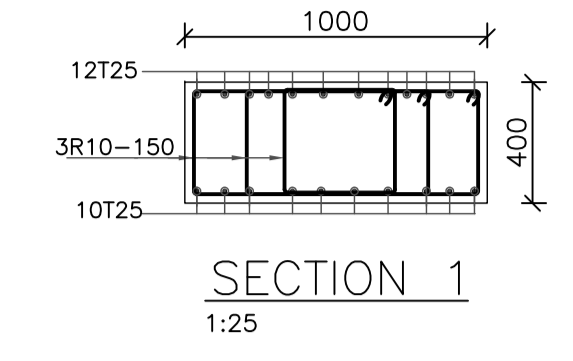
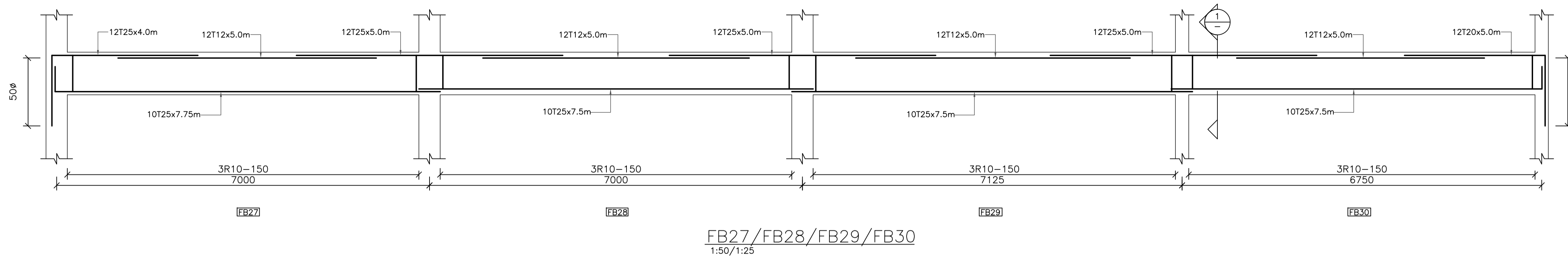


PHASE III
PACKAGE 1
UM AL DANANIR BASIC MIXED (AMMAN)
SCHOOLS FOR A KNOWLEDGE ECONOMY PROJECT (USAID SKEP)

DRAWING NAME:
FIRST FLOOR BEAMS-2-
Design: A.KH.
SCALE: 1/50
Date: JUNE 2020
PLOT No: 568
LOCATION: UM AL DANANIR
BASIN NO: 002-ALQESHANEYEH

Checked: R.K.
Approved:
DRAWING NUMBER: SKEP 13-SSB504
Rev.: 0





REV.	DATE	REMARKS
0	JUNE 2020	VOL. IV - TENDER DRAWINGS

NOTES:

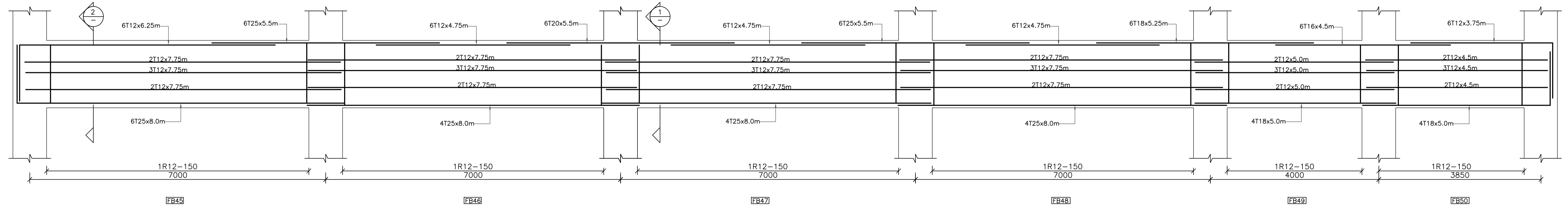


PHASE III
PACKAGE 1
UM AL DANANIR BASIC MIXED (AMMAN)
SCHOOLS FOR A KNOWLEDGE ECONOMY PROJECT (USAID SKEP)

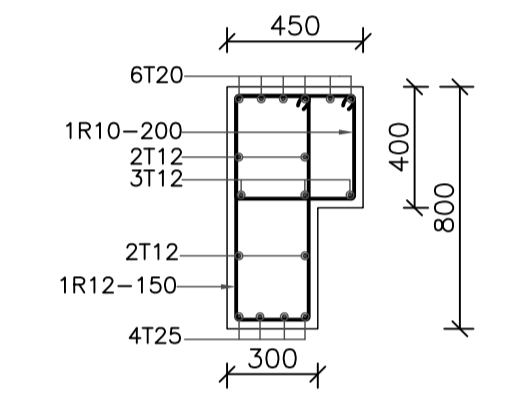
DRAWING NAME:
FIRST FLOOR BEAMS-3-
PLOT No 568
LOCATION UM AL DANANIR
BASIN NO 002-ALQESHANEYEH

Design: A.KH.
SCALE: 1/50
Date: JUNE 2020
DRAWING NUMBER: SKEP 13-SSB505

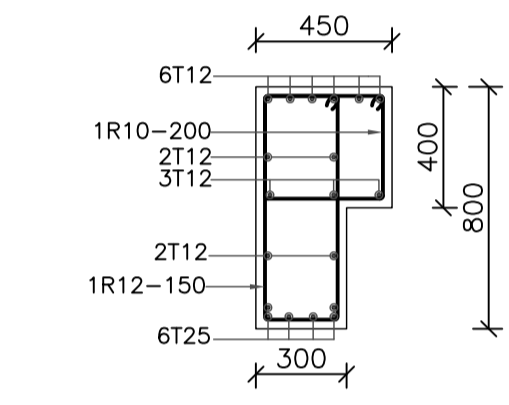
Checked: R.K.
Approved:
Rev.: 0



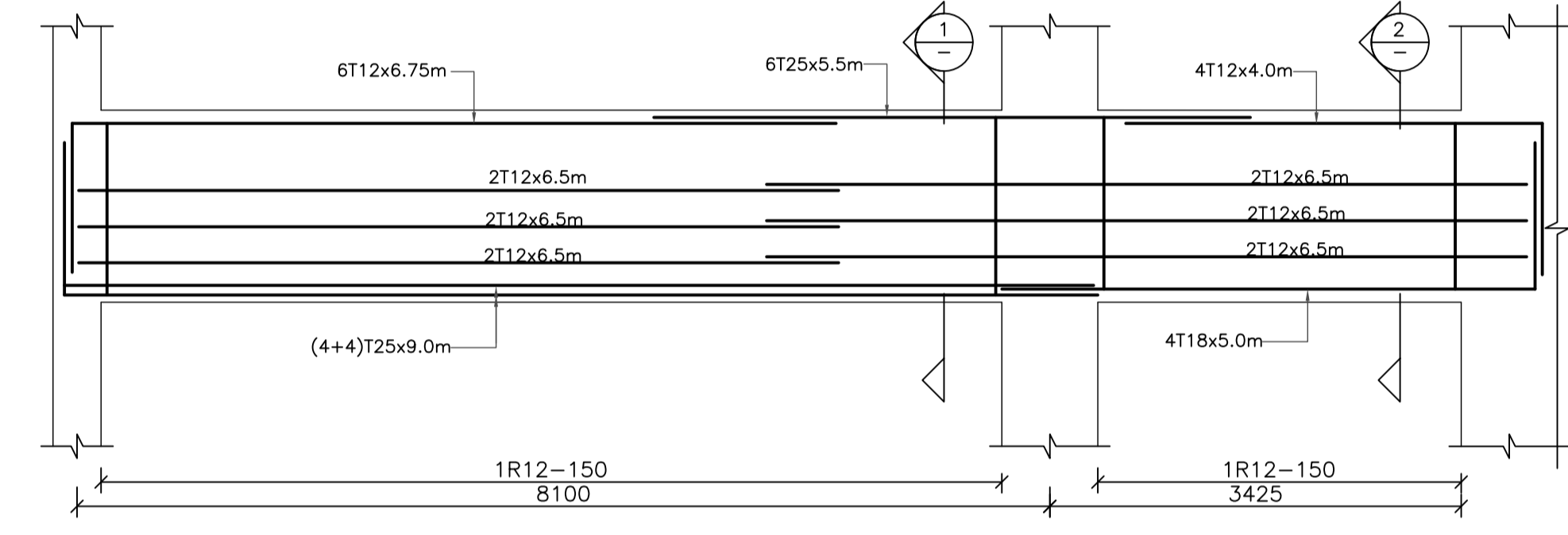
FB45/FB46/FB47/FB48/FB49/FB50
1:50/1:25



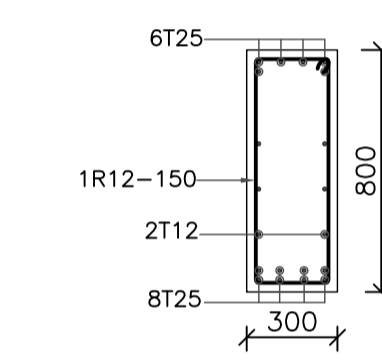
SECTION 1 (IN FB45...FB50)
1:25



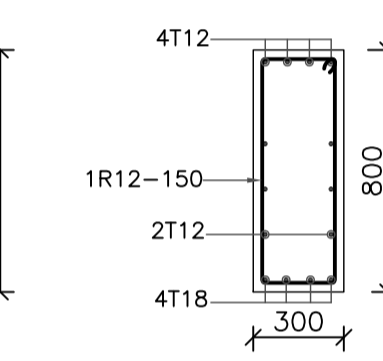
SECTION 2 (IN FB45...FB50)
1:25



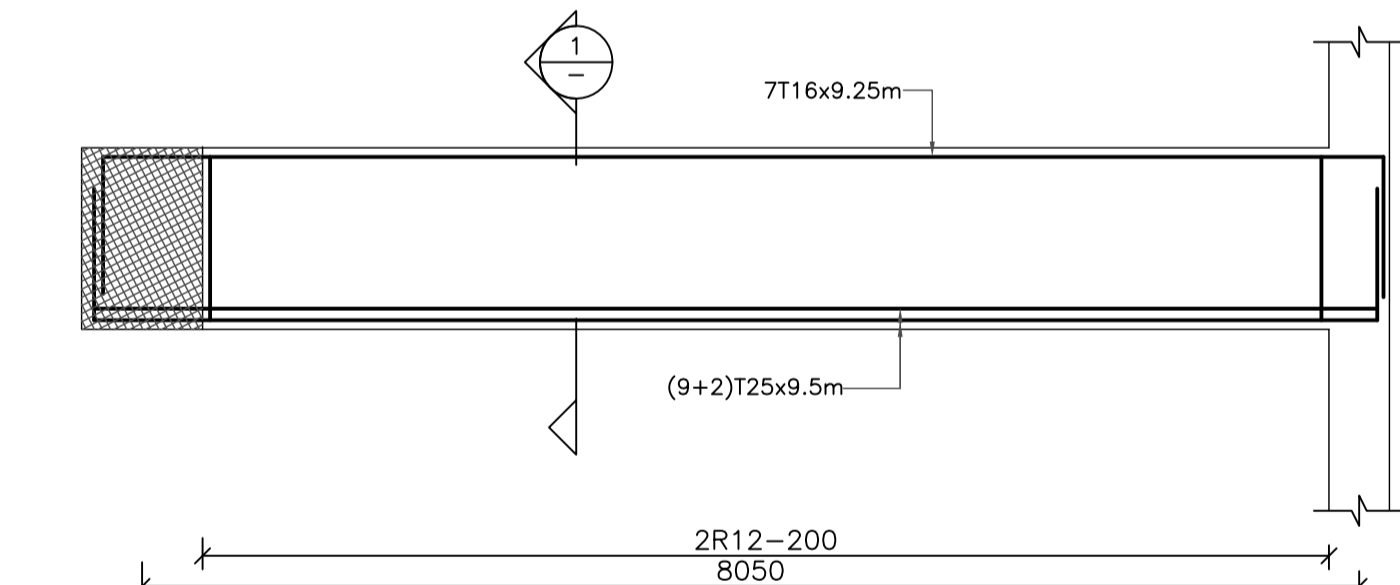
FB51/FB52
1:50/1:25



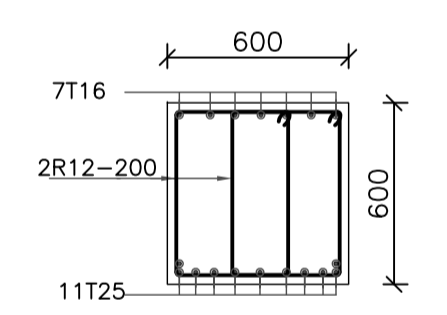
SECTION 1
1:25



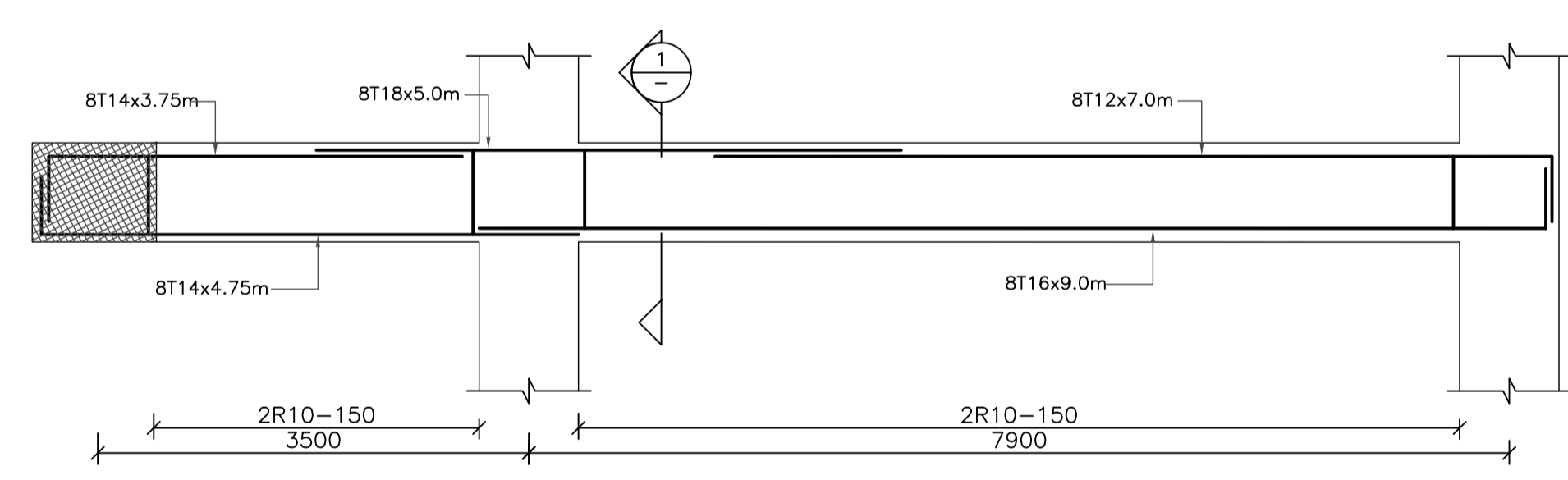
SECTION 2
1:25



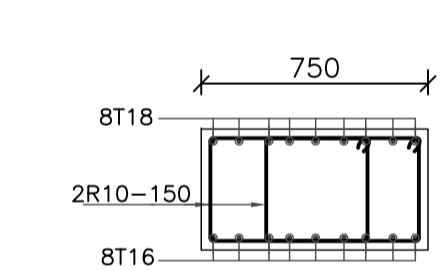
FB53
1:50/1:25



SECTION 1
1:25



FB54/FB55
1:50/1:25



SECTION 1
1:25

REV.	DATE	REMARKS
0	JUNE 2020	VOL. IV - TENDER DRAWINGS

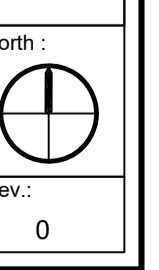
NOTES:

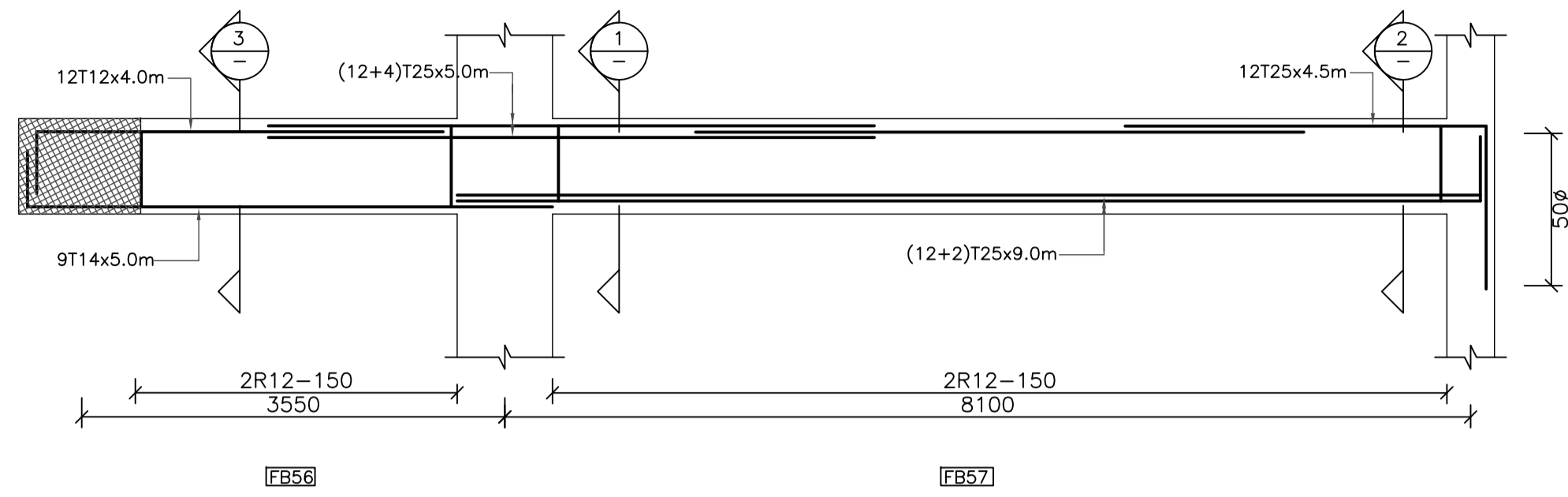


PHASE III
PACKAGE 1
UM AL DANANIR BASIC MIXED (AMMAN)
SCHOOLS FOR A KNOWLEDGE ECONOMY PROJECT (USAID SKEP)

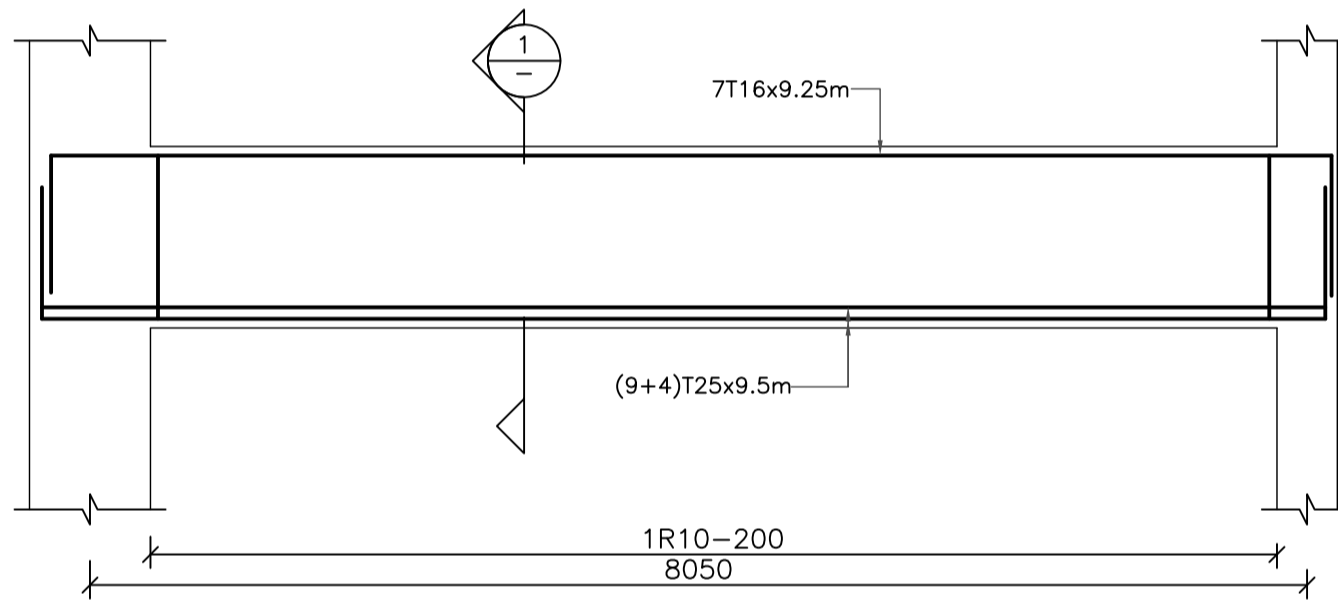
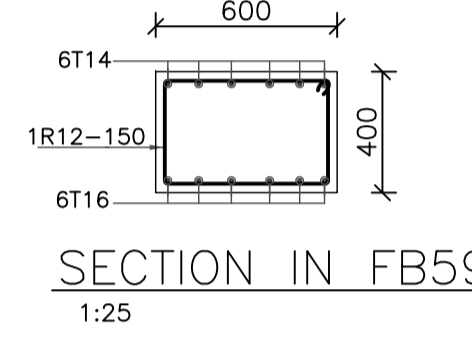
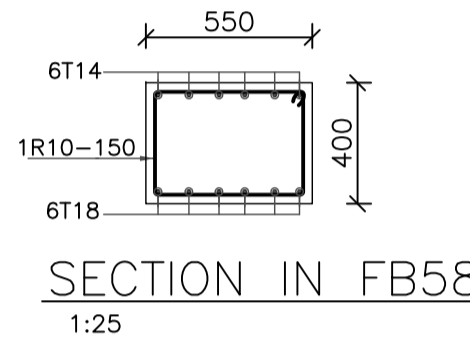
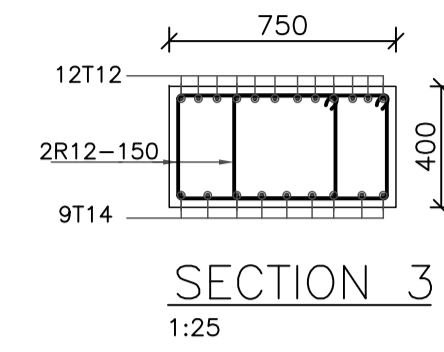
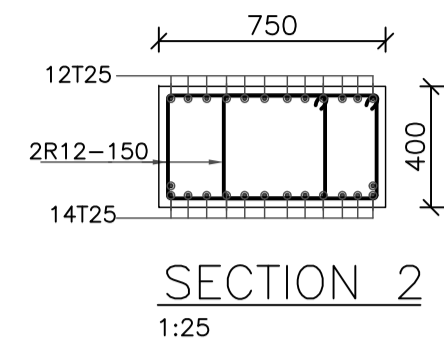
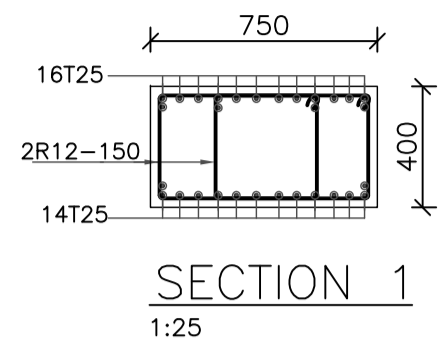
DRAWING NAME:
FIRST FLOOR BEAMS-4-
Design: A.KH.
SCALE: 1/50
Date: JUNE 2020
PLOT No: 568
LOCATION: UM AL DANANIR
BASIN NO: 002-ALQESHANEYEH

Checked: R.K.
Approved:
DRAWING NUMBER:
SKEP 13-SSB506
Rev.: 0

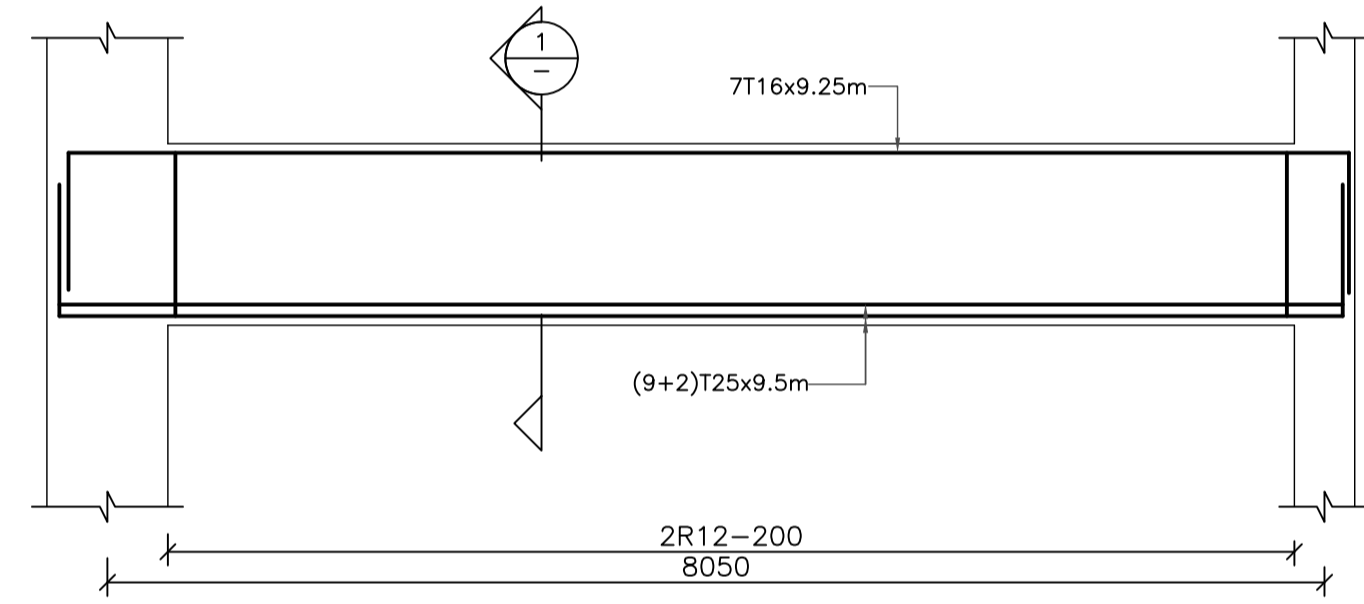
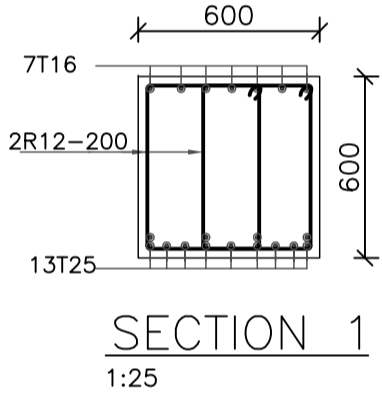




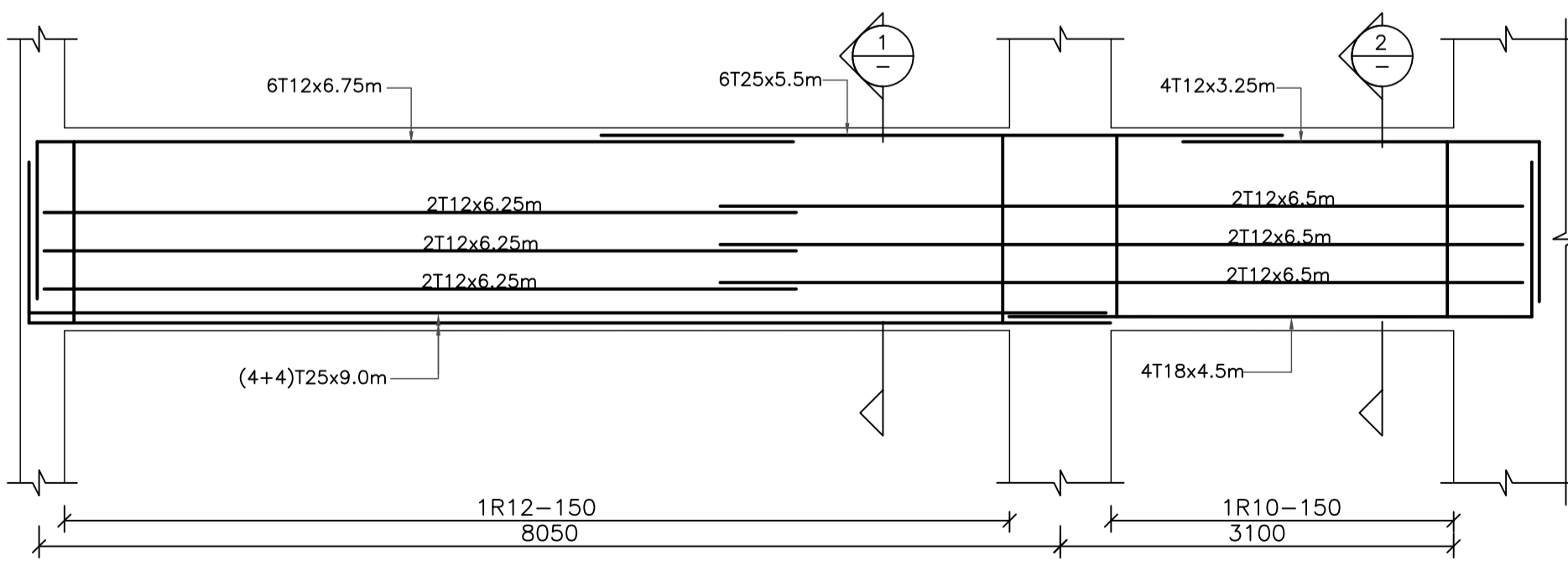
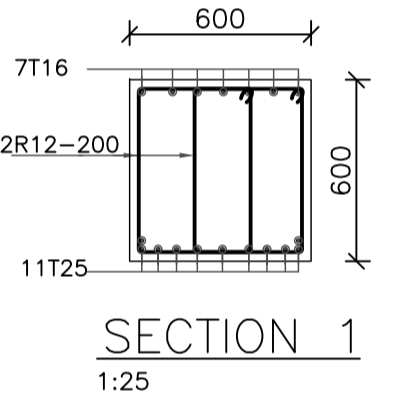
FB56/FB57
1:50/1:25



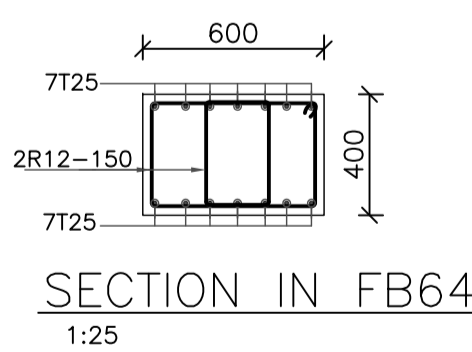
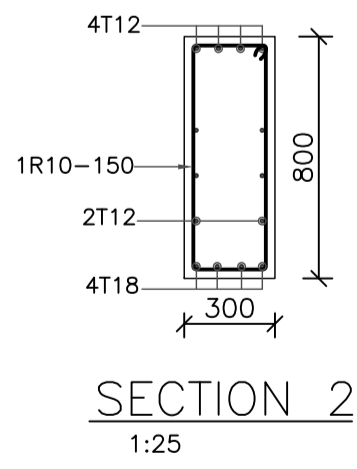
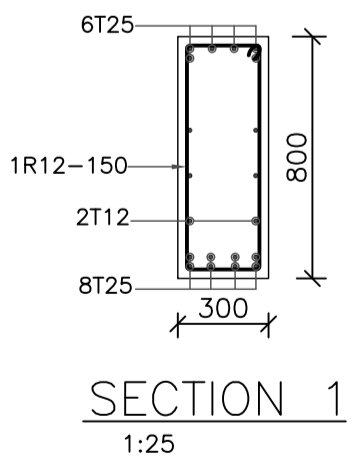
FB60
1:50/1:25



FB61
1:50/1:25



FB62/FB63
1:50/1:25



REV.	DATE	REMARKS
0	JUNE 2020	VOL. IV - TENDER DRAWINGS

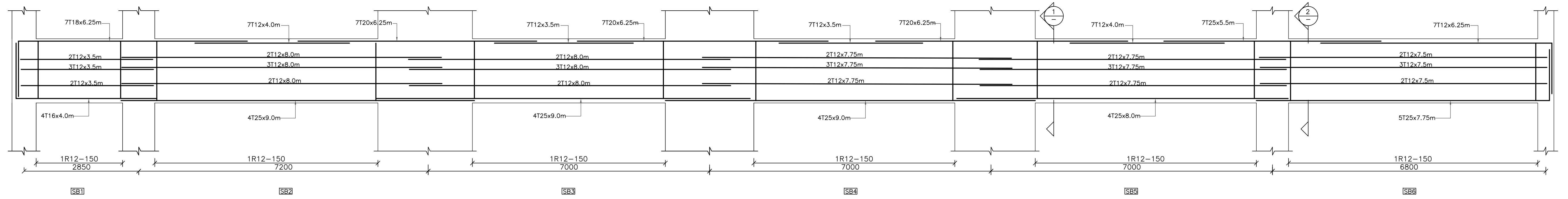
NOTES:



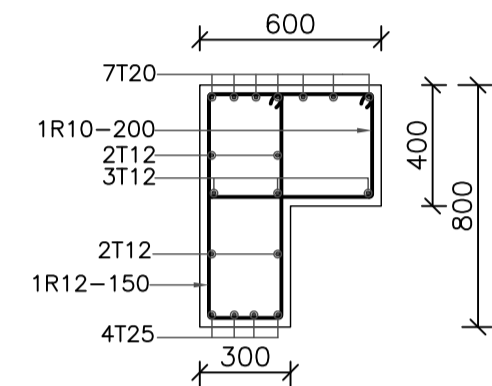
PHASE III
PACKAGE 1
UM AL DANANIR BASIC MIXED (AMMAN)
SCHOOLS FOR A KNOWLEDGE ECONOMY PROJECT (USAID SKEP)

DRAWING NAME:
FIRST FLOOR BEAMS-5-
Design: A.KH.
SCALE: 1/50
Date: JUNE 2020
DRAWING NUMBER:
SKEP 13-SSB507

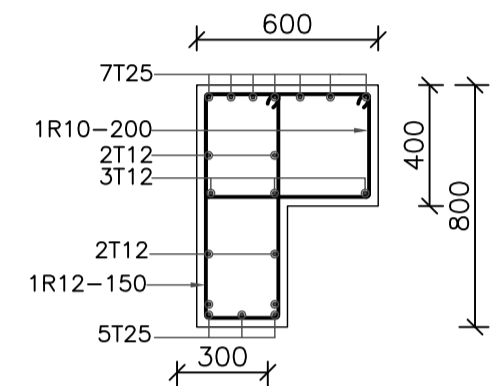
Drawn: CAD
Checked: R.K.
Approved:
Rev.: 0



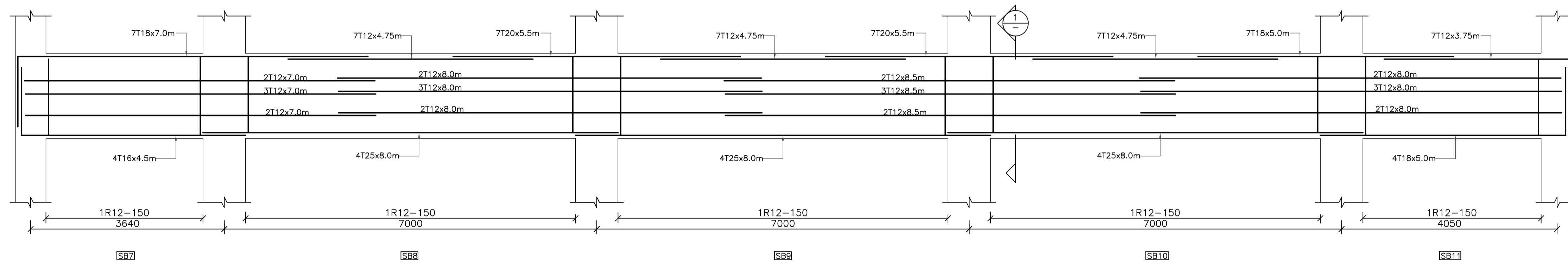
SB1/SB2/SB3/SB4/SB5/SB6
1:50/1:25



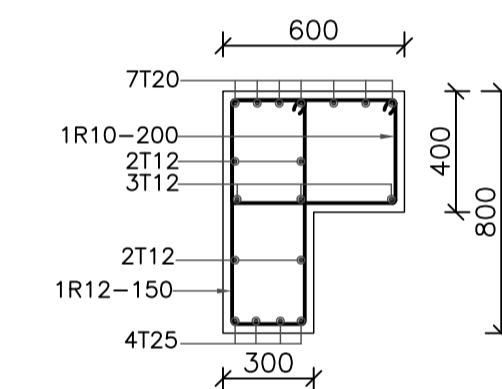
SECTION 1 (IN SB1...SB6)
1:25



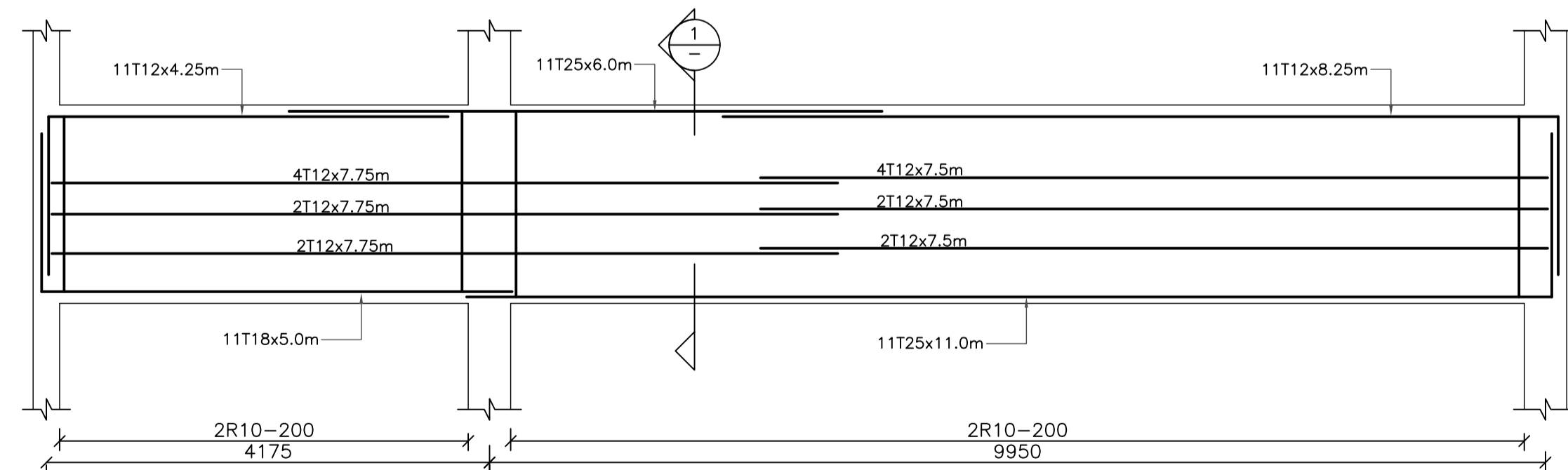
SECTION 2 (IN SB1...SB6)
1:25



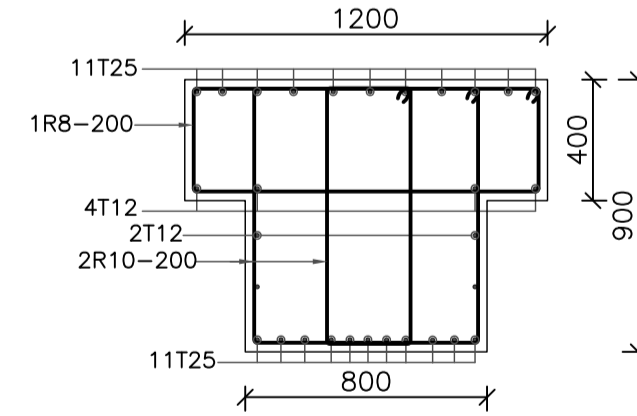
SB7/SB8/SB9/SB10/SB11
1:50/1:25



SECTION 1
1:25



SB12/SB13
1:50/1:25



SECTION 1
1:25

REV.	DATE	REMARKS
0	JUNE 2020	VOL. IV - TENDER DRAWINGS

NOTES:

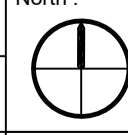


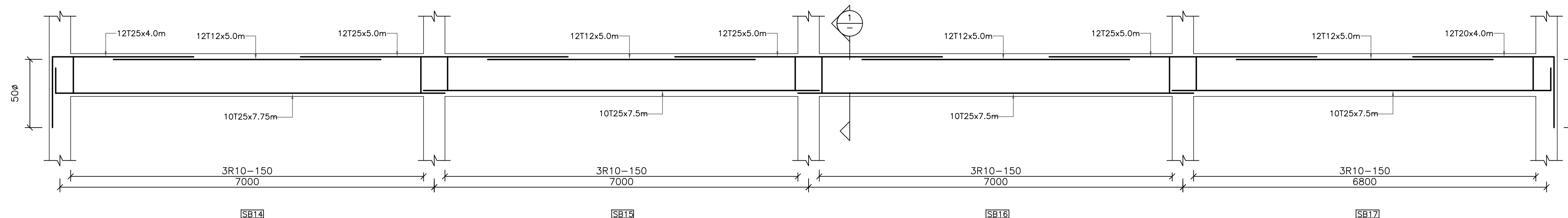
PHASE III
PACKAGE 1
UM AL DANANIR BASIC MIXED (AMMAN)
SCHOOLS FOR A KNOWLEDGE ECONOMY PROJECT (USAID SKEP)

DRAWING NAME:
SECOND FLOOR BEAMS -1-
PLOT No 568
LOCATION UM AL DANANIR
BASIN NO 002-ALQESHANEYEH

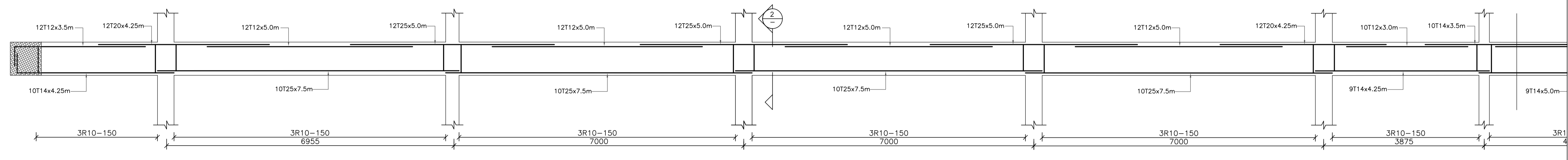
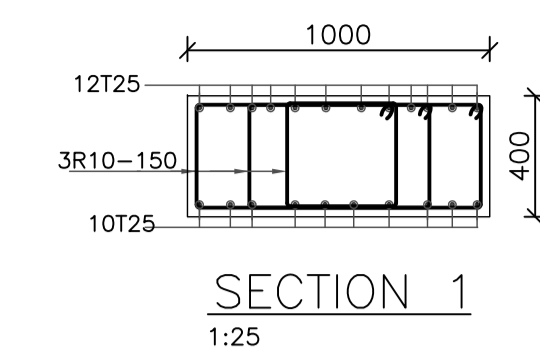
Design: A.KH.
SCALE: 1/50
Date: JUNE 2020
DRAWING NUMBER: SKEP 13-SSB508

Drawn: CAD
Checked: R.K.
Approved:
Rev.: 0

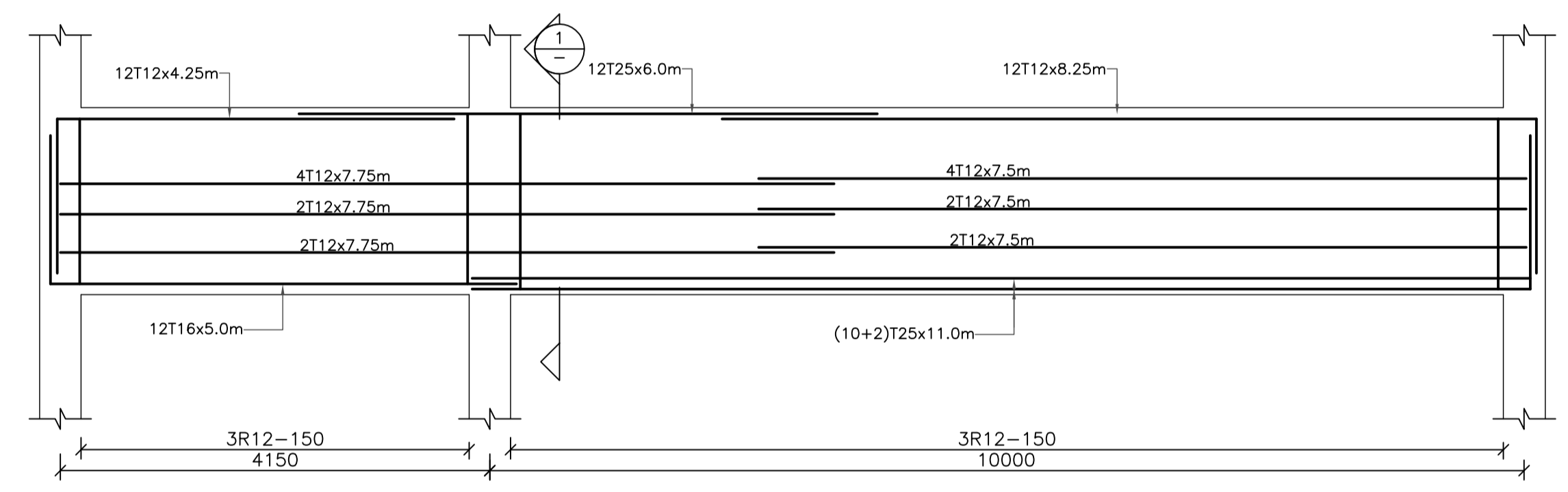
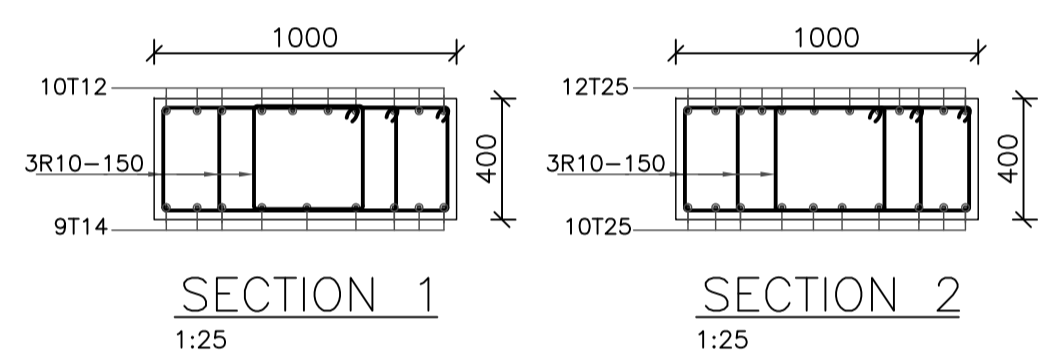




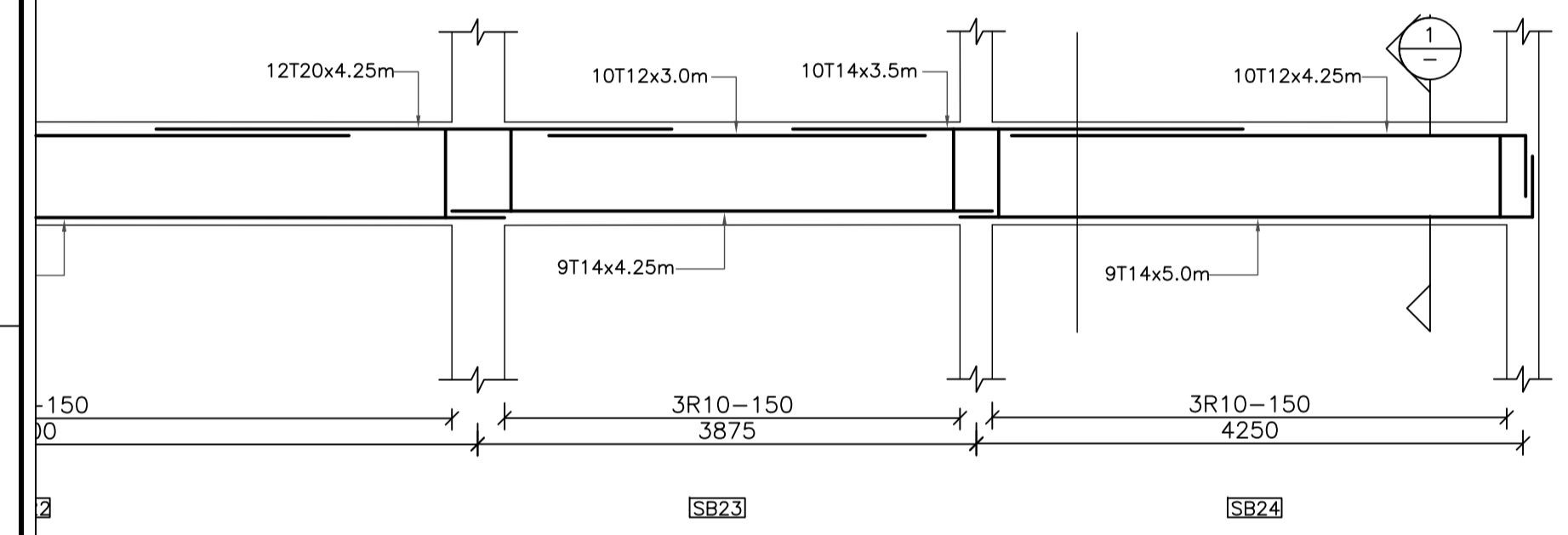
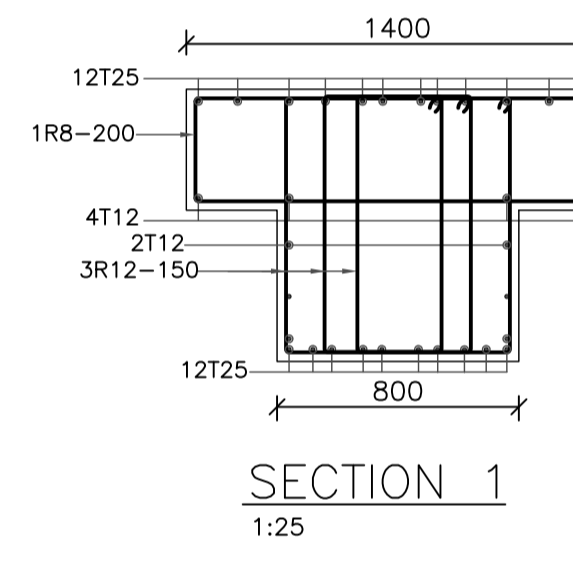
SB14/SB15/SB16/SB17
1:50/1:25



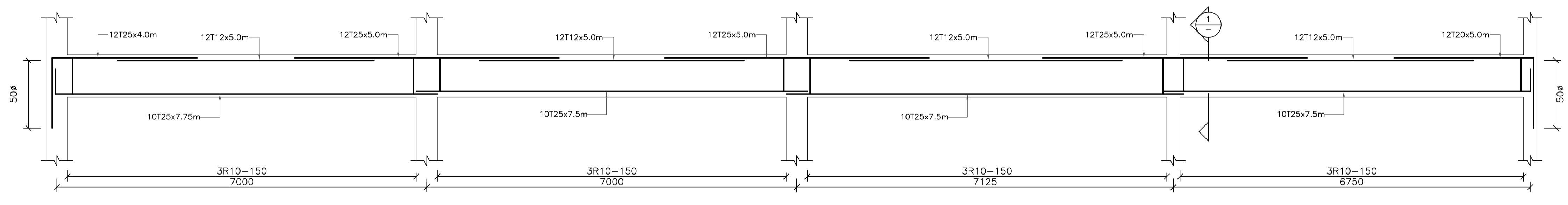
SB18/SB19/SB20/SB21/SB22/SB23/SB24
1:50/1:25



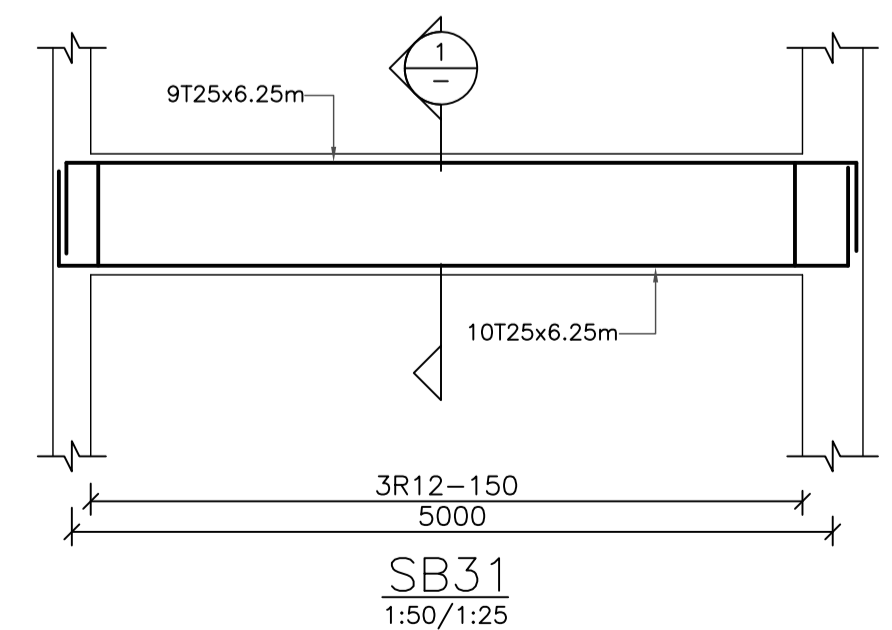
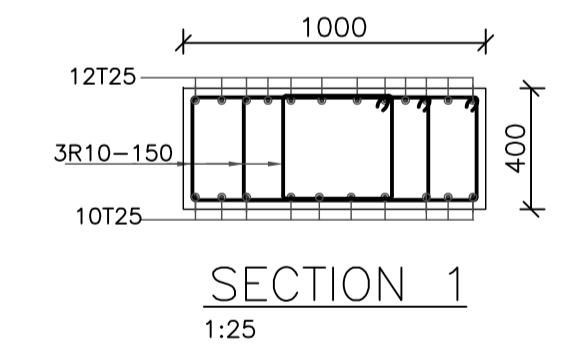
SB25/SB26
1:50/1:25



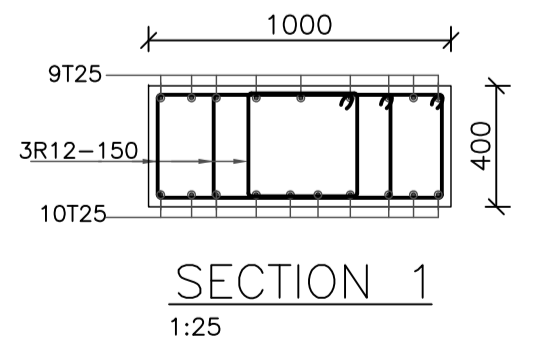
SB23/SB24



SB27/SB28/SB29/SB30
1:50/1:25



SB31
1:50/1:25



REV.	DATE	REMARKS
0	JUNE 2020	VOL. IV - TENDER DRAWINGS

NOTES:

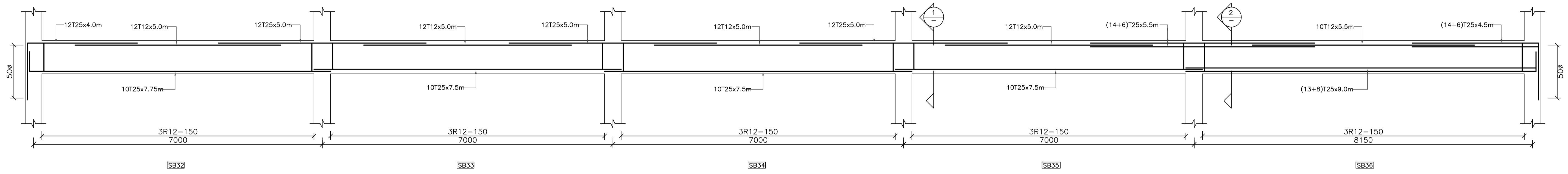


PHASE III
PACKAGE 1
UM AL DANANIR BASIC MIXED (AMMAN)
SCHOOLS FOR A KNOWLEDGE ECONOMY PROJECT (USAID SKEP)

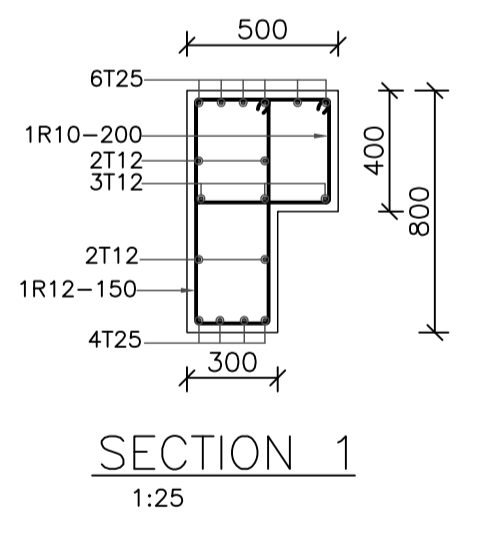
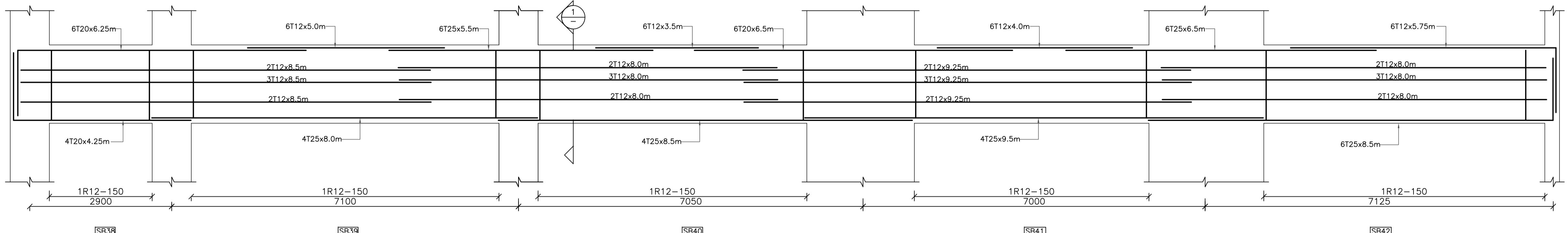
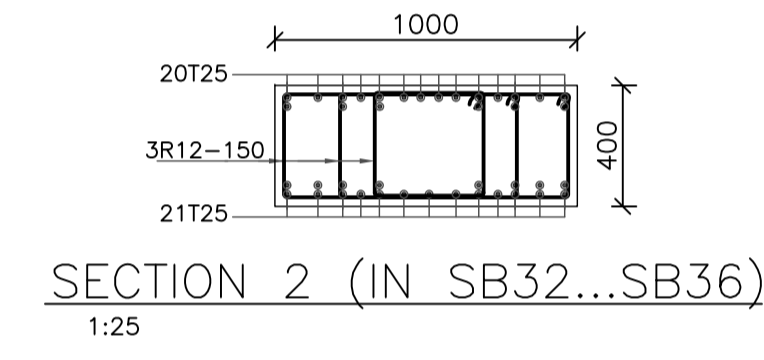
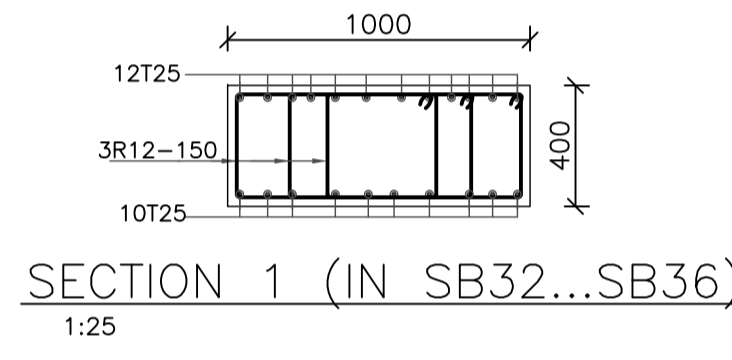
DRAWING NAME:
SECOND FLOOR BEAMS -2-
PLOT No 568
LOCATION UM AL DANANIR
BASIN NO 002-ALQESHANEYEH

Design: A.KH.
SCALE: 1/50
DRAWING NUMBER: SKEP 13-SSB509

Drawn: CAD
Date: JUNE 2020
Checked: R.K.
Approved:
North:



SB32/SB33/SB34/SB35/SB36
1:50/1:25



SB38/SB39/SB40/SB41/SB42
1:50/1:25

REV.	DATE	REMARKS
0	JUNE 2020	VOL. IV - TENDER DRAWINGS

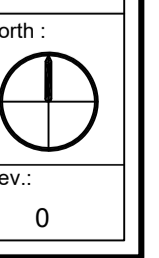
NOTES:

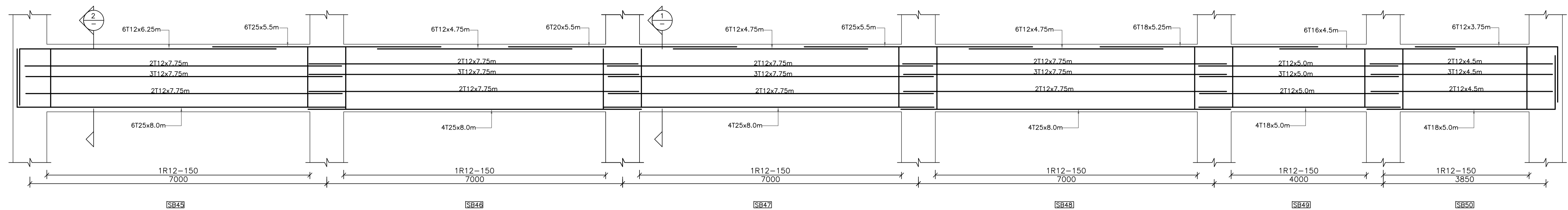


PHASE III
PACKAGE 1
UM AL DANANIR BASIC MIXED (AMMAN)
SCHOOLS FOR A KNOWLEDGE ECONOMY PROJECT (USAID SKEP)

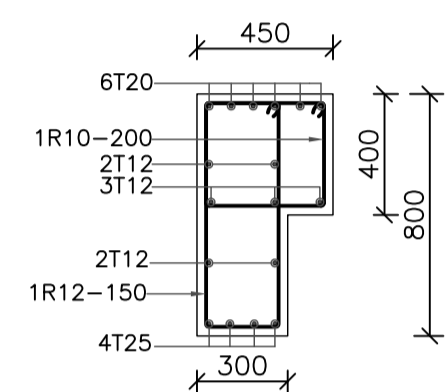
DRAWING NAME:
SECOND FLOOR BEAMS -3-
PLOT No 568
LOCATION UM AL DANANIR
BASIN NO 002-ALQESHANEYEH

Design: A.KH.
SCALE: 1/50
Date: JUNE 2020
DRAWING NUMBER: SKEP 13-SSB510
Checked: R.K.
Approved:
Rev.: 0

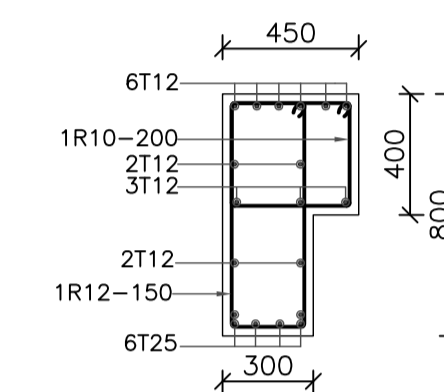




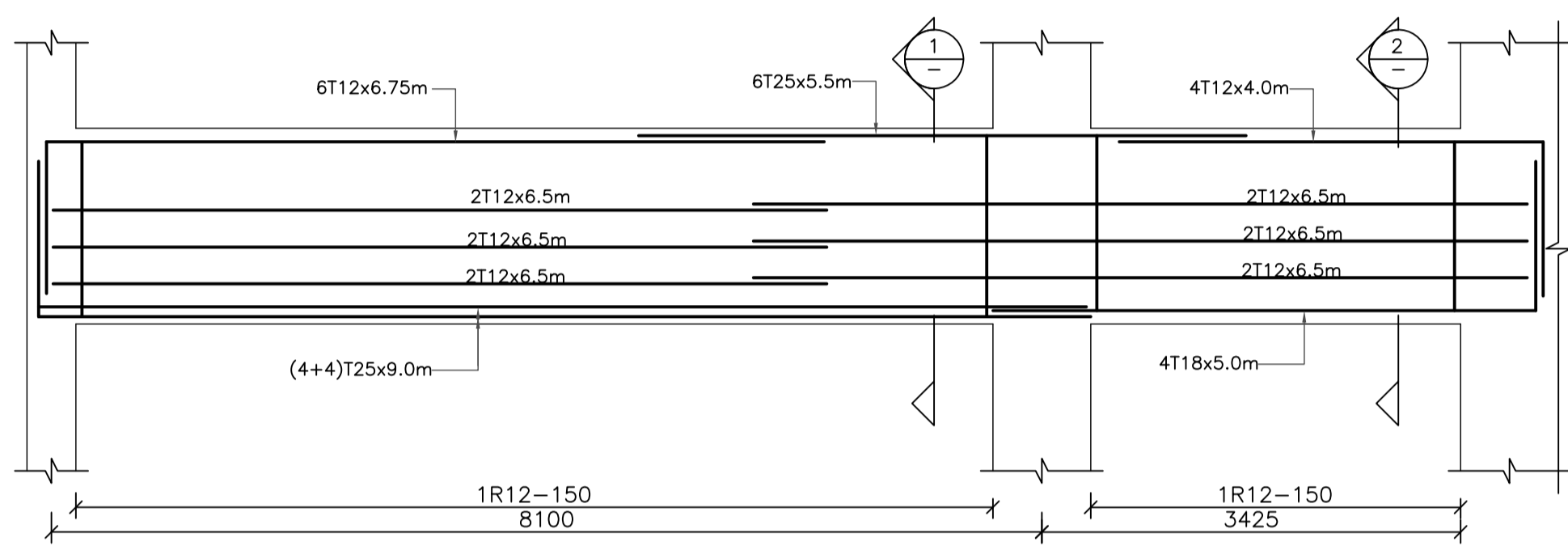
SB45/SB46/SB47/SB48/SB49/SB50
1:50/1:25



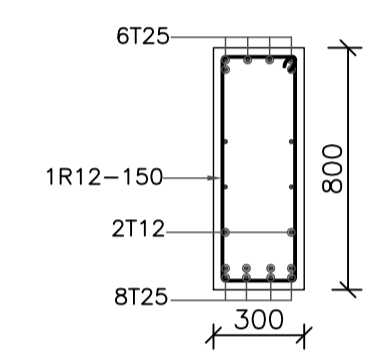
SECTION 1 (IN SB45...SB50)
1:25



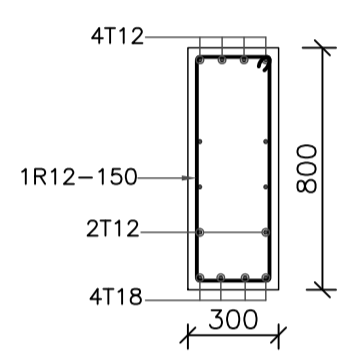
SECTION 2 (IN SB45...SB50)
1:25



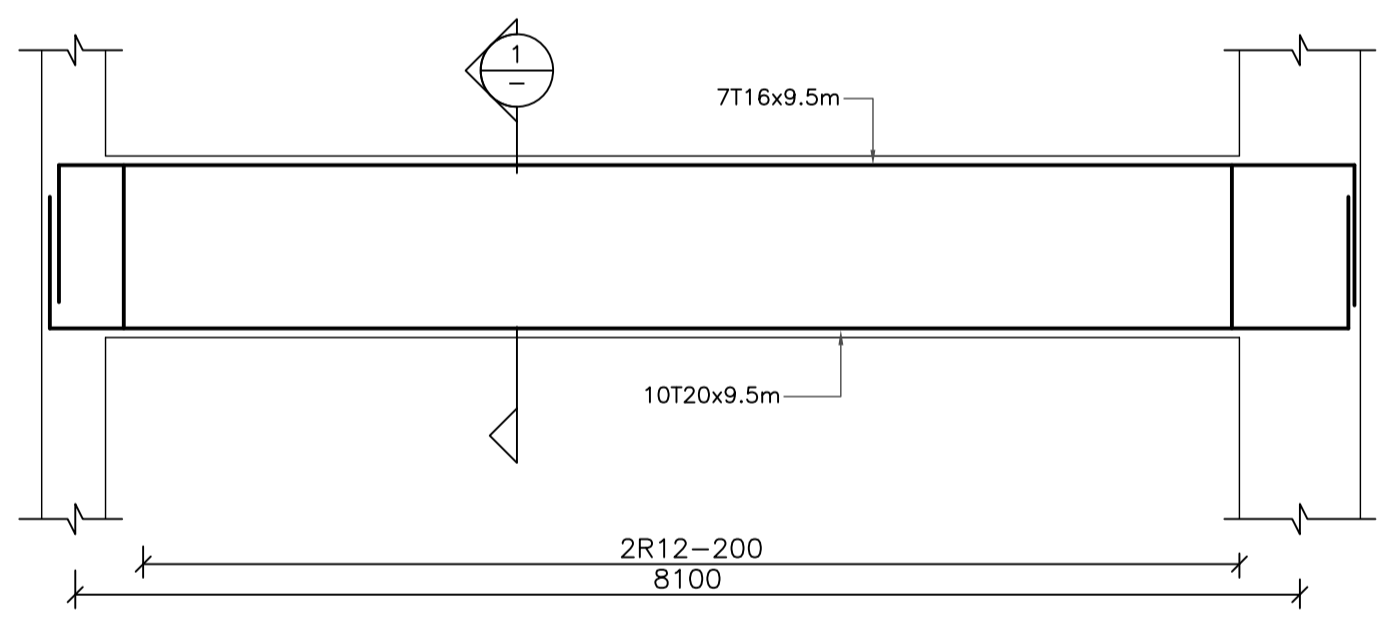
SB51/SB52
1:50/1:25



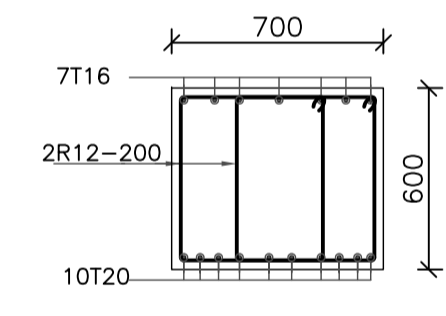
SECTION 1
1:25



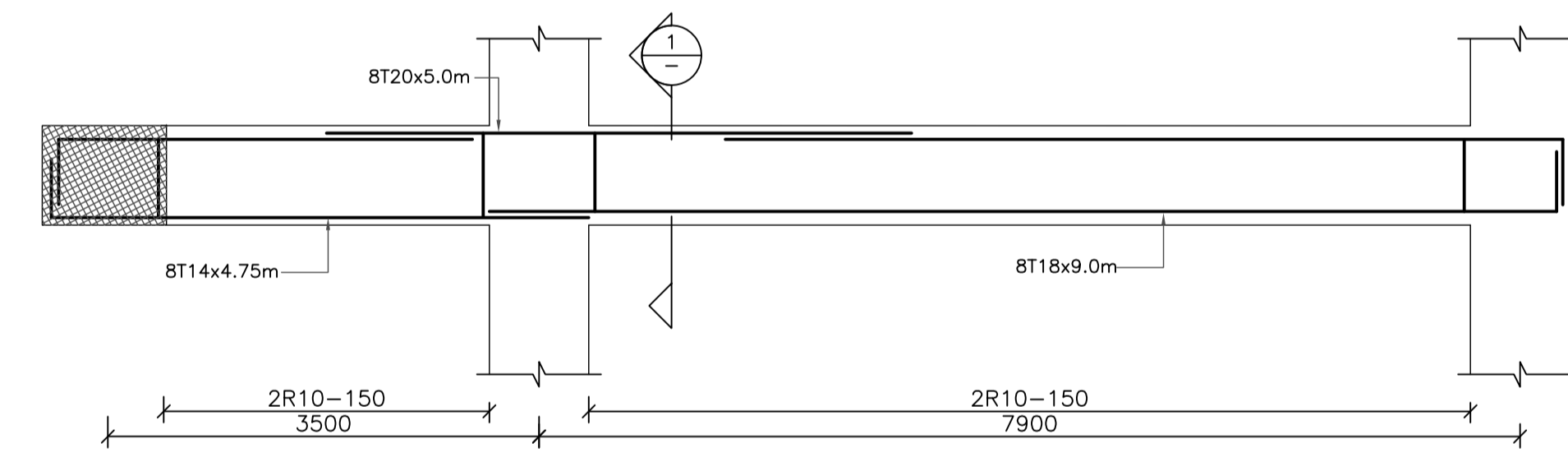
SECTION 2
1:25



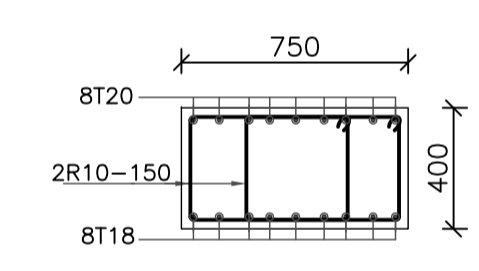
SB53
1:50/1:25



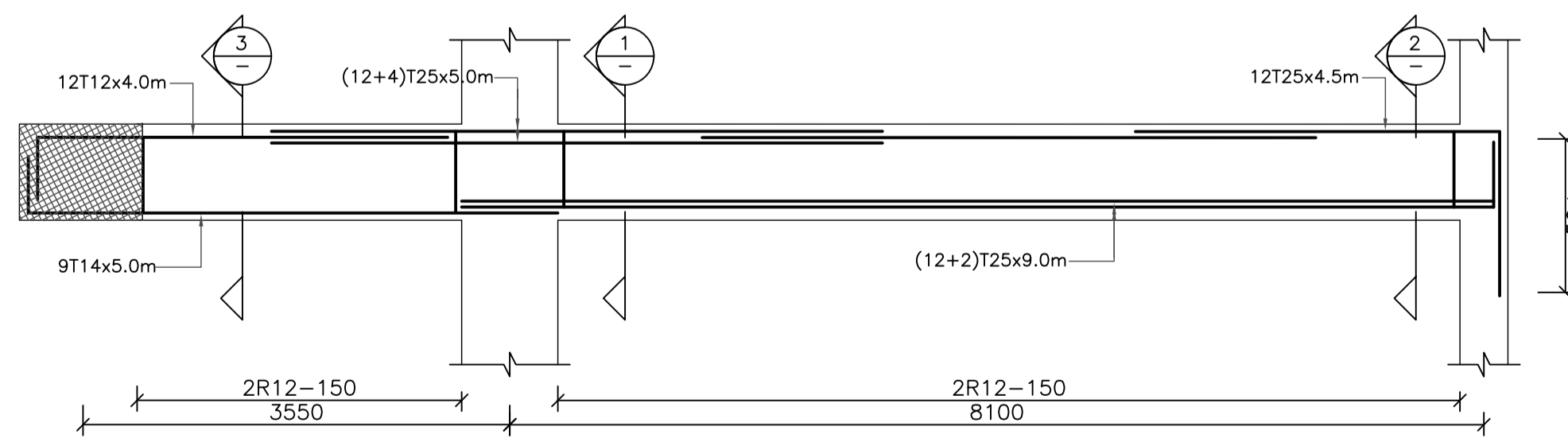
SECTION 1
1:25



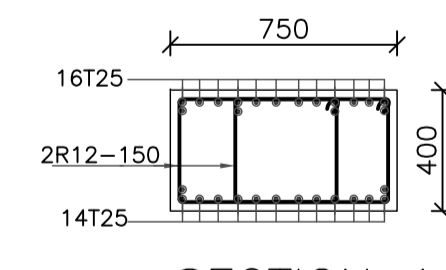
SB54/SB55
1:50/1:25



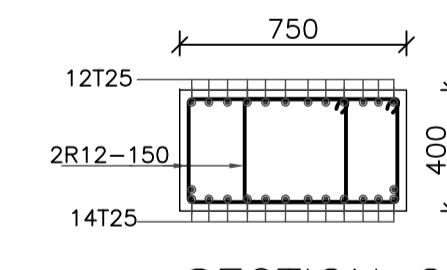
SECTION 1
1:25



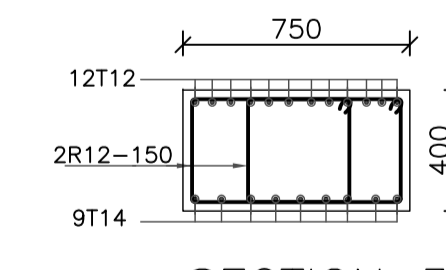
SB56/SB57
1:50/1:25



SECTION 1
1:25



SECTION 2
1:25



SECTION 3
1:25

REV.	DATE	REMARKS
0	JUNE 2020	VOL. IV - TENDER DRAWINGS

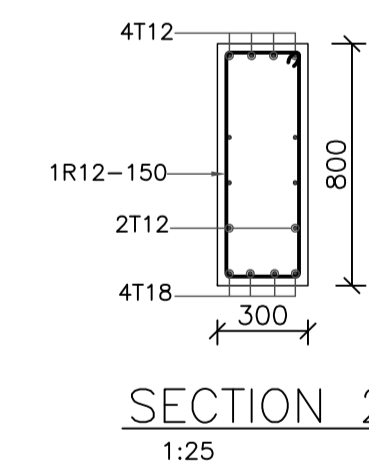
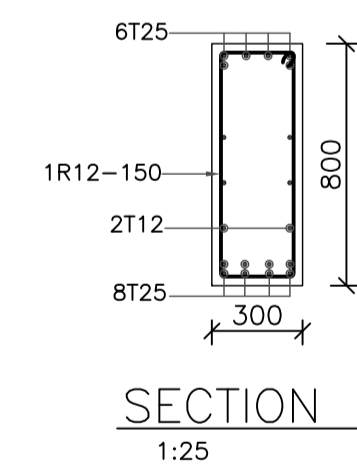
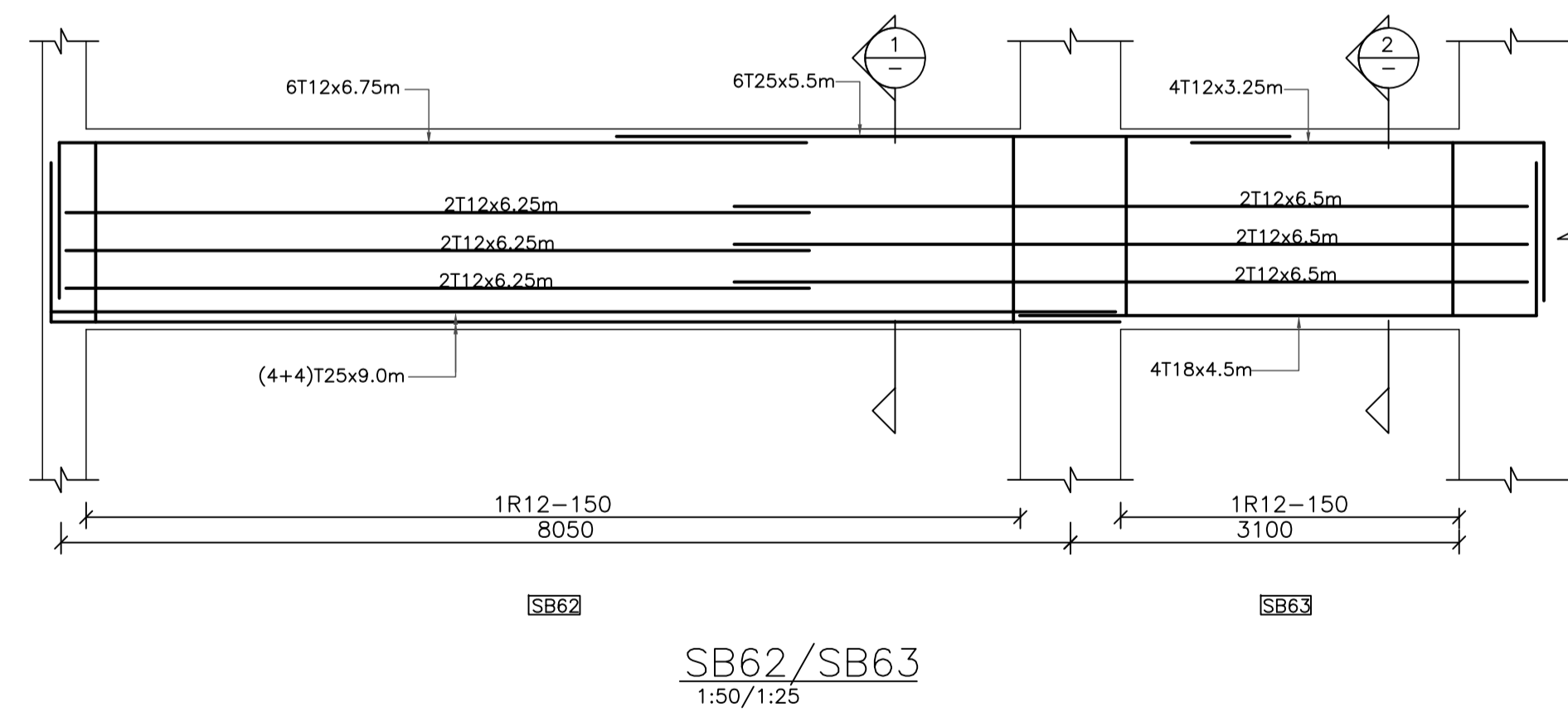
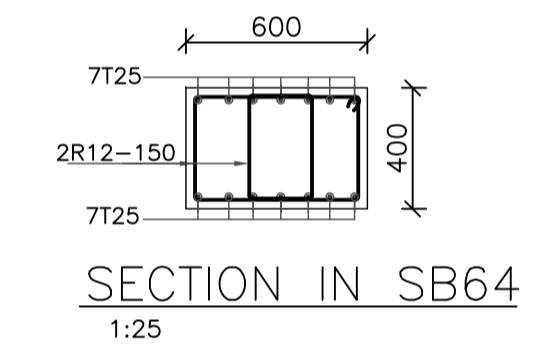
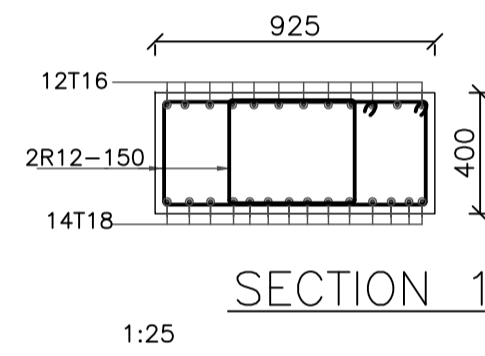
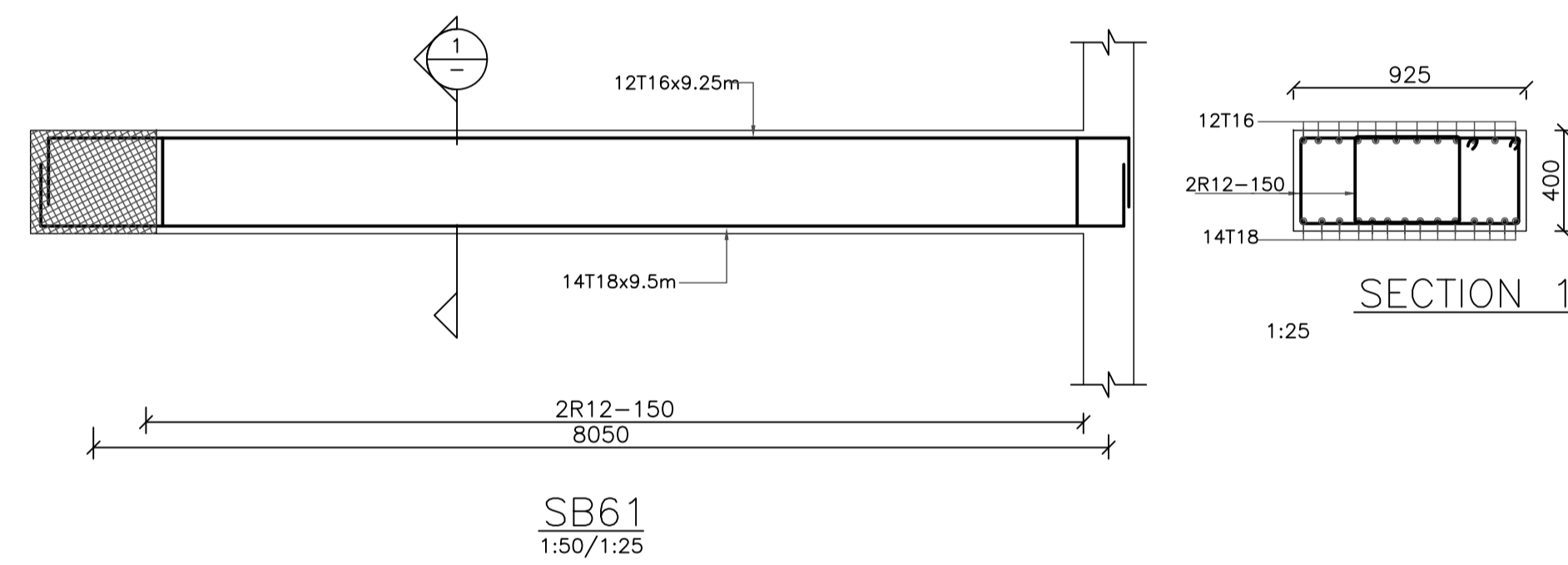
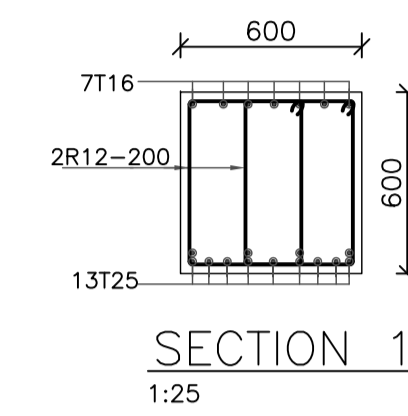
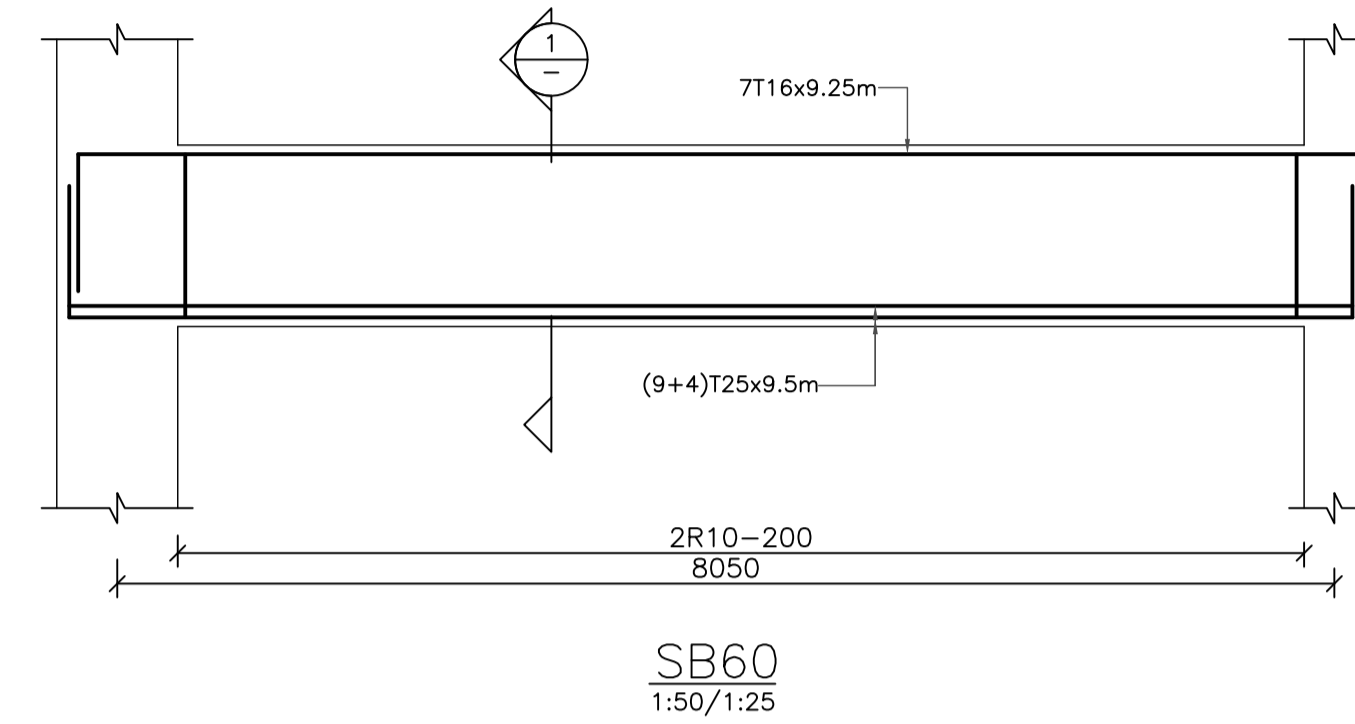
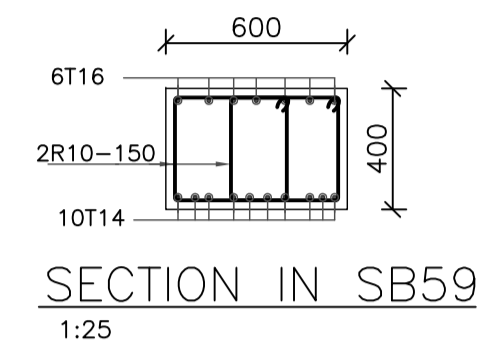
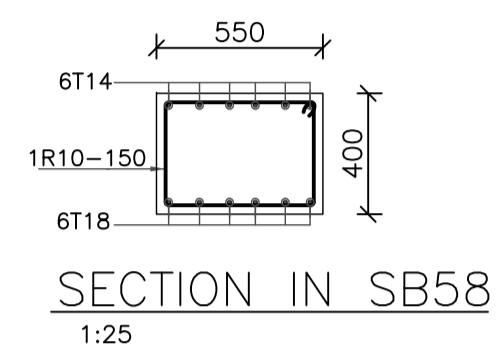
NOTES:



PHASE III
PACKAGE 1
UM AL DANANIR BASIC MIXED (AMMAN)
SCHOOLS FOR A KNOWLEDGE ECONOMY PROJECT (USAID SKEP)

DRAWING NAME:
SECOND FLOOR BEAMS -4-
Design: A.KH.
Drawn: CAD
Checked: R.K.
SCALE: 1/50
Date: JUNE 2020
Approved:
DRAWING NUMBER:
SKEP 13-SSB511

PLOT No	LOCATION	BASIN NO	Rev.:
568	UM AL DANANIR	002-ALQESHANEYEH	0



REV.	DATE	REMARKS
0	JUNE 2020	VOL. IV - TENDER DRAWINGS

NOTES:

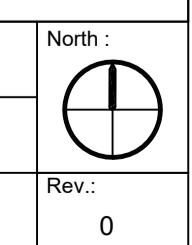


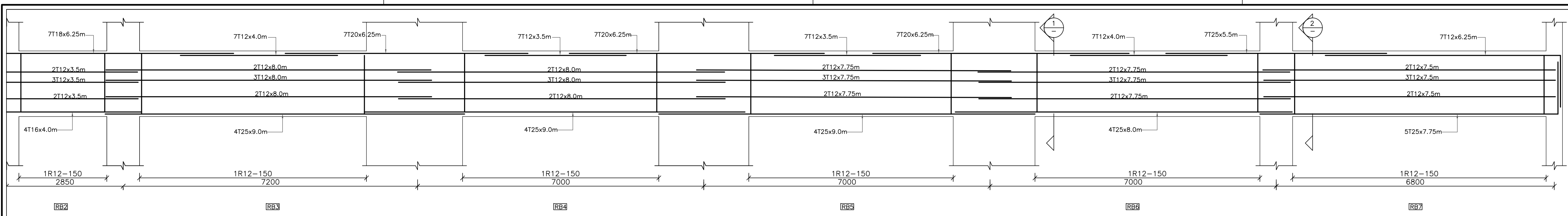
PHASE III
PACKAGE 1
UM AL DANANIR BASIC MIXED (AMMAN)
SCHOOLS FOR A KNOWLEDGE ECONOMY PROJECT (USAID SKEP)

DRAWING NAME:
SECOND FLOOR BEAMS -5-
PLOT No 568
LOCATION UM AL DANANIR
BASIN NO 002-ALQESHANEYEH

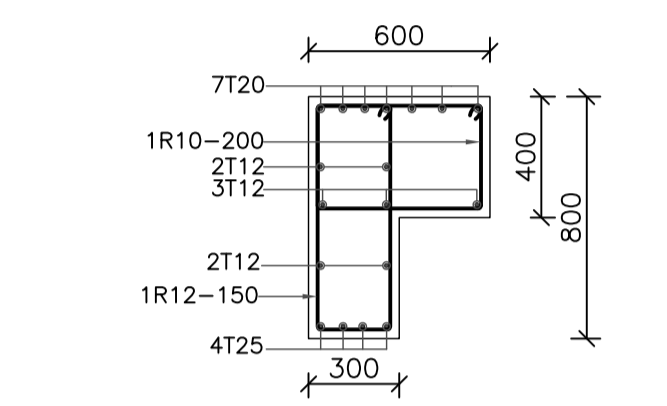
Design: A.KH.
SCALE: 1/50
Date: JUNE 2020
DRAWING NUMBER: SKEP 13-SSB512

Drawn: CAD
Checked: R.K
Approved:
Rev.: 0

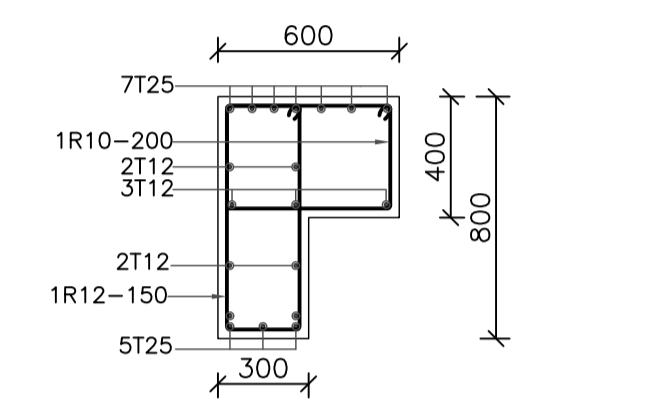




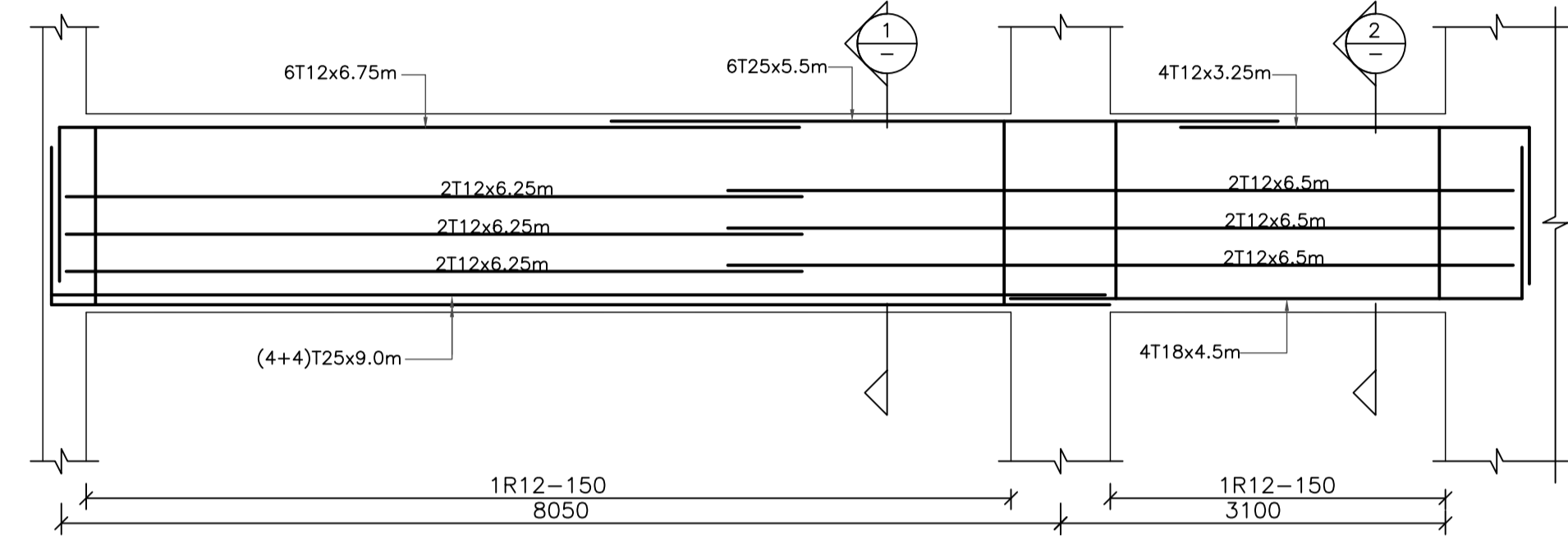
RB2/RB3/RB4/RB5/RB6/RB7
1:50/1:25



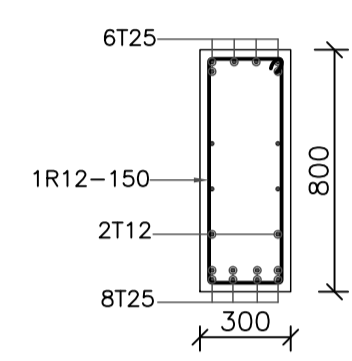
SECTION 1 (IN RB2...RB7)
1:25



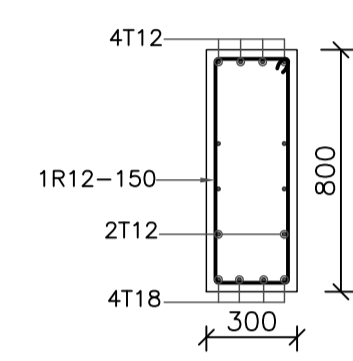
SECTION 2 (IN RB2...RB7)
1:25



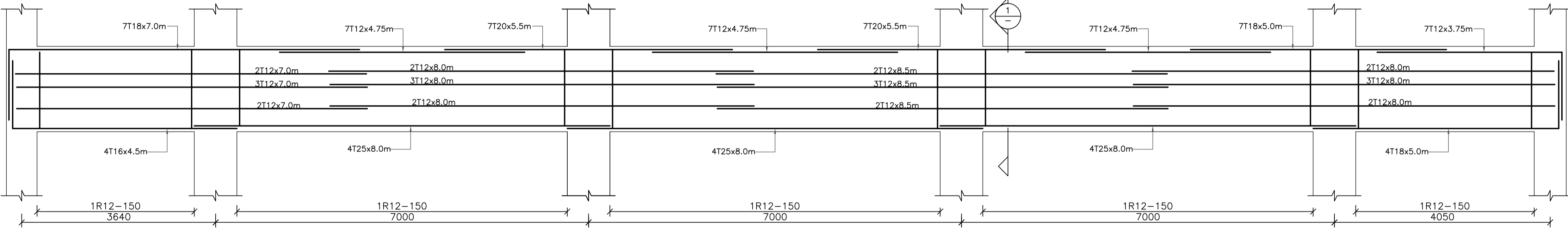
RB62/RB63
1:50/1:25



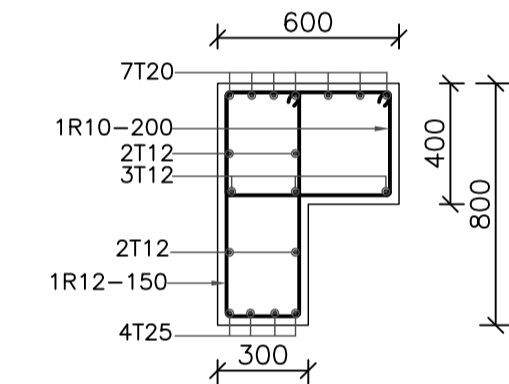
SECTION 1
1:25



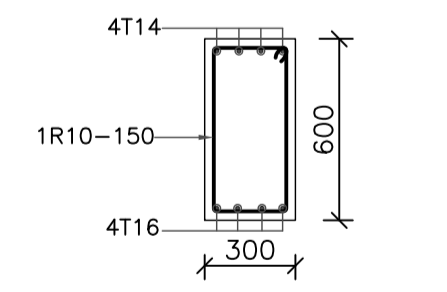
SECTION 2
1:25



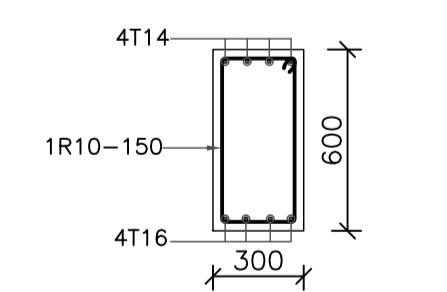
RB8/RB9/RB10/RB11/RB12
1:50/1:25



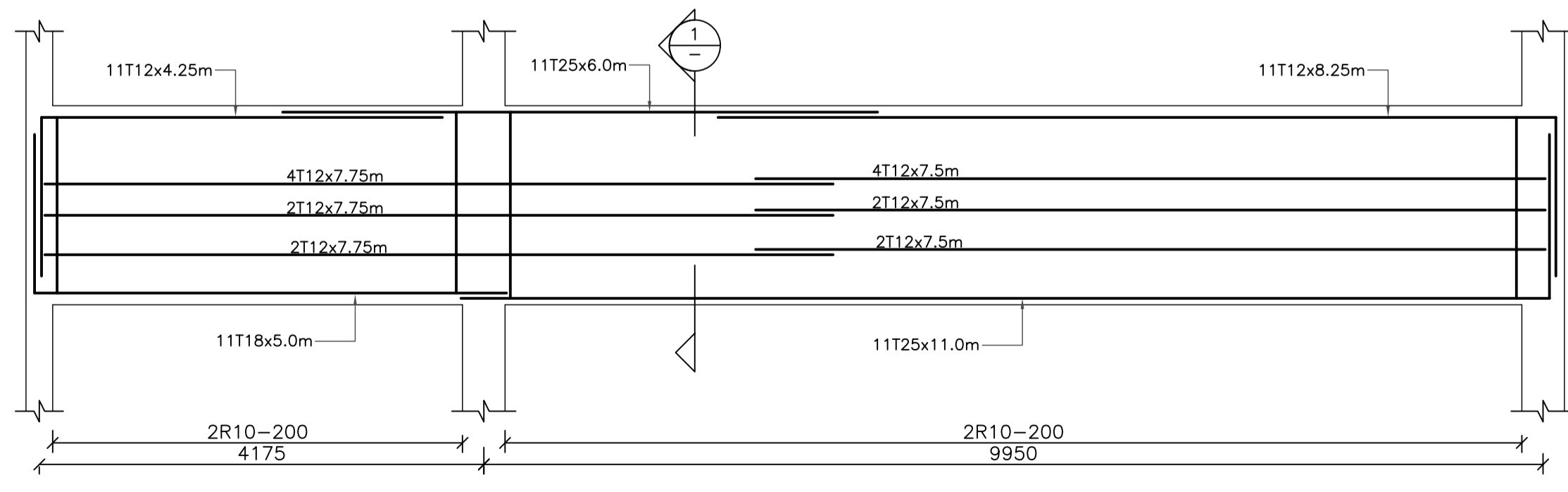
SECTION 1
1:25



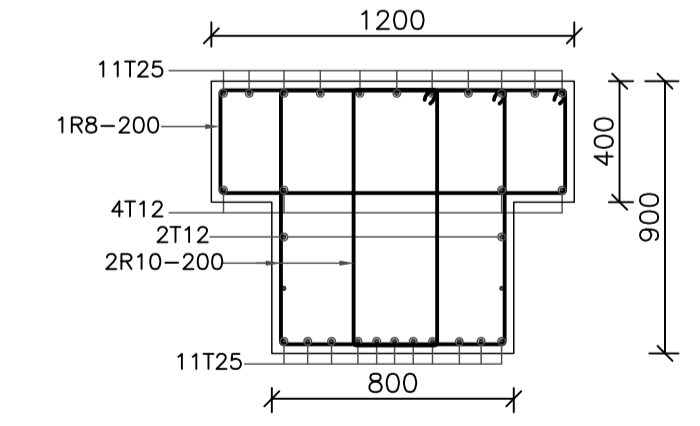
SECTION IN RB1
1:25



SECTION IN RB13
1:25



RB14/RB15
1:50/1:25



SECTION 1
1:25

REV.	DATE	REMARKS
0	JUNE 2020	VOL. IV - TENDER DRAWINGS

NOTES:

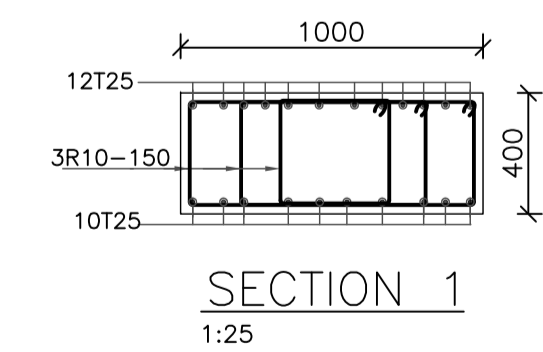
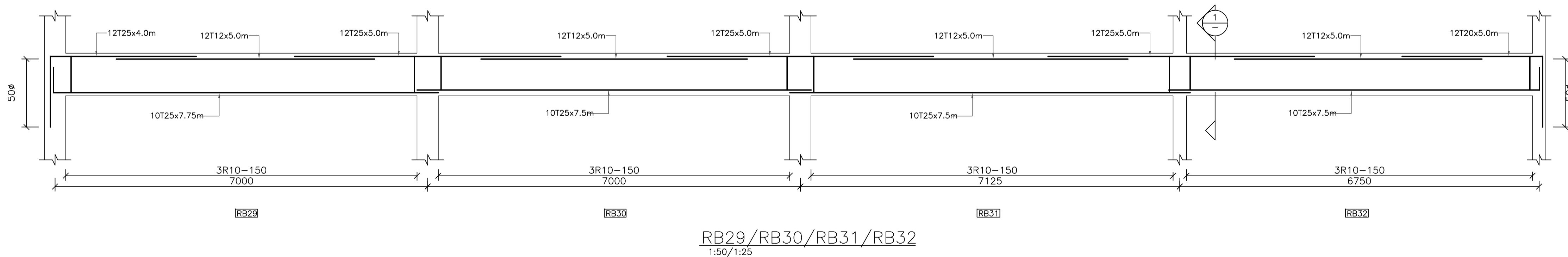
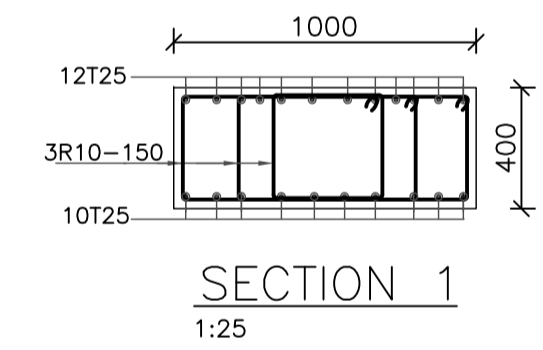
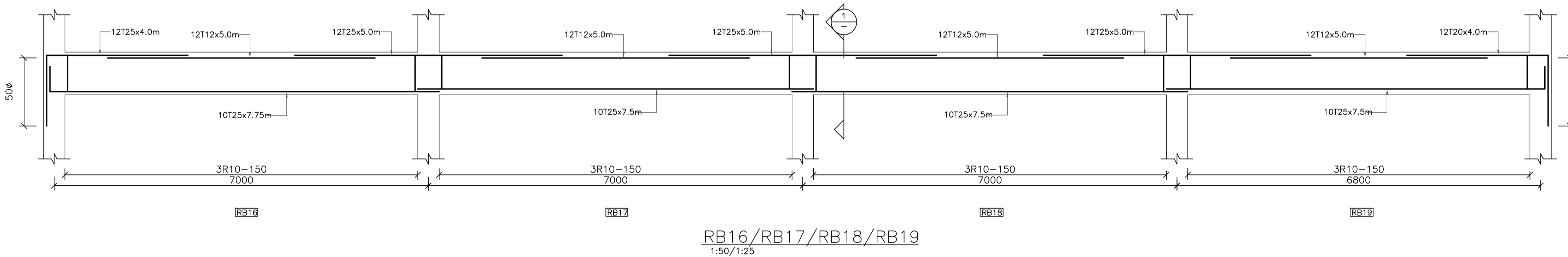
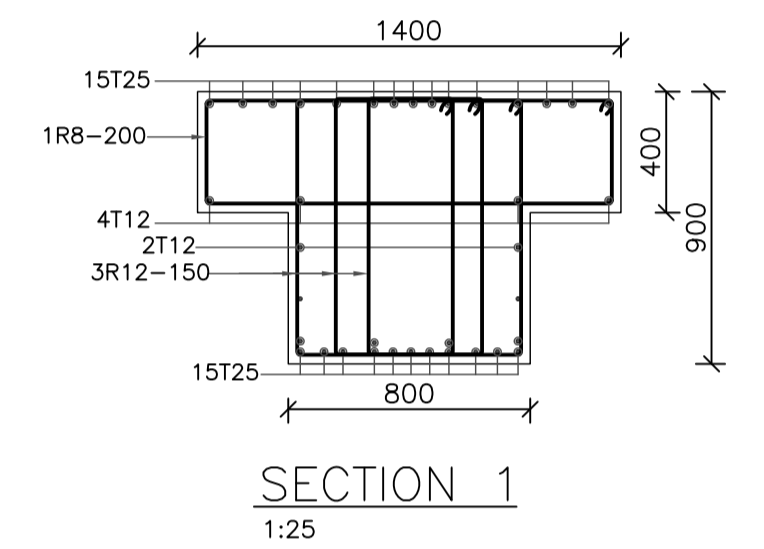
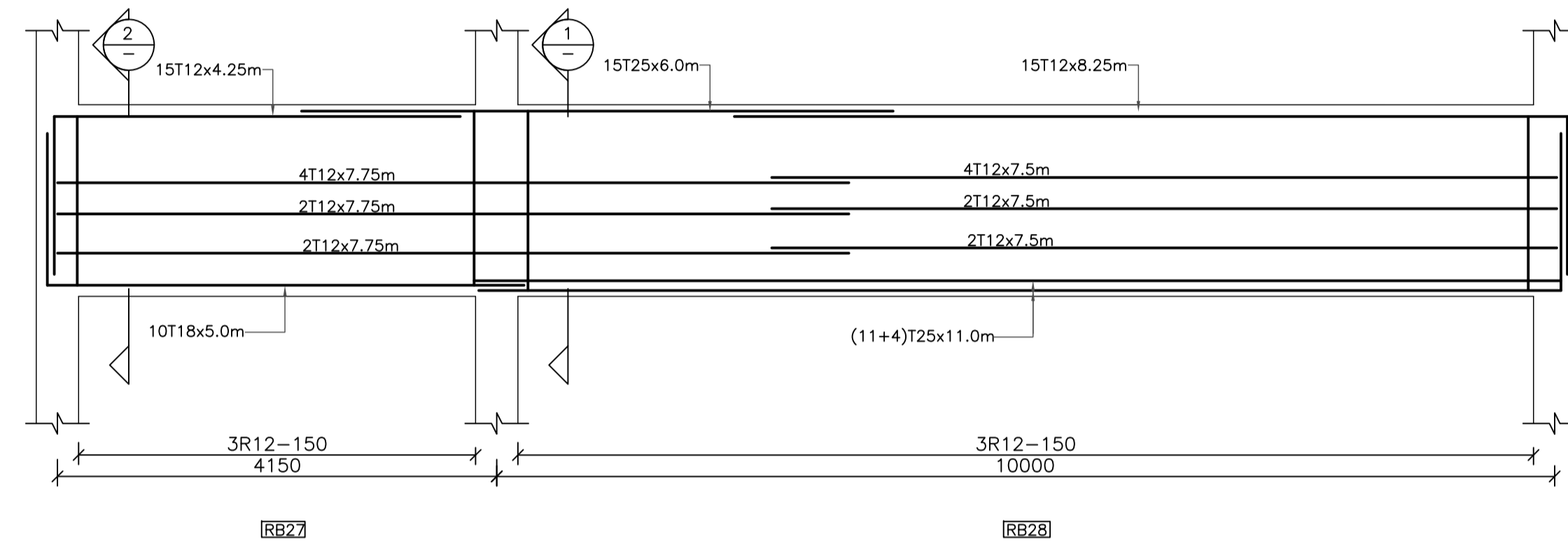
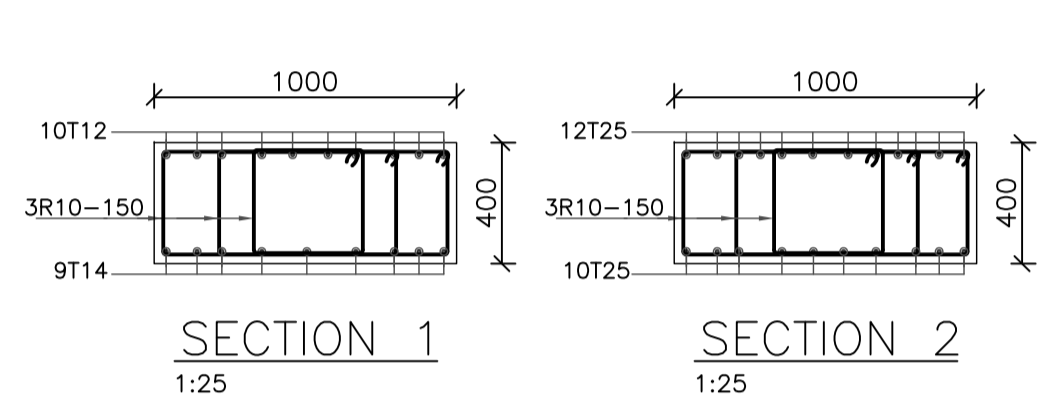
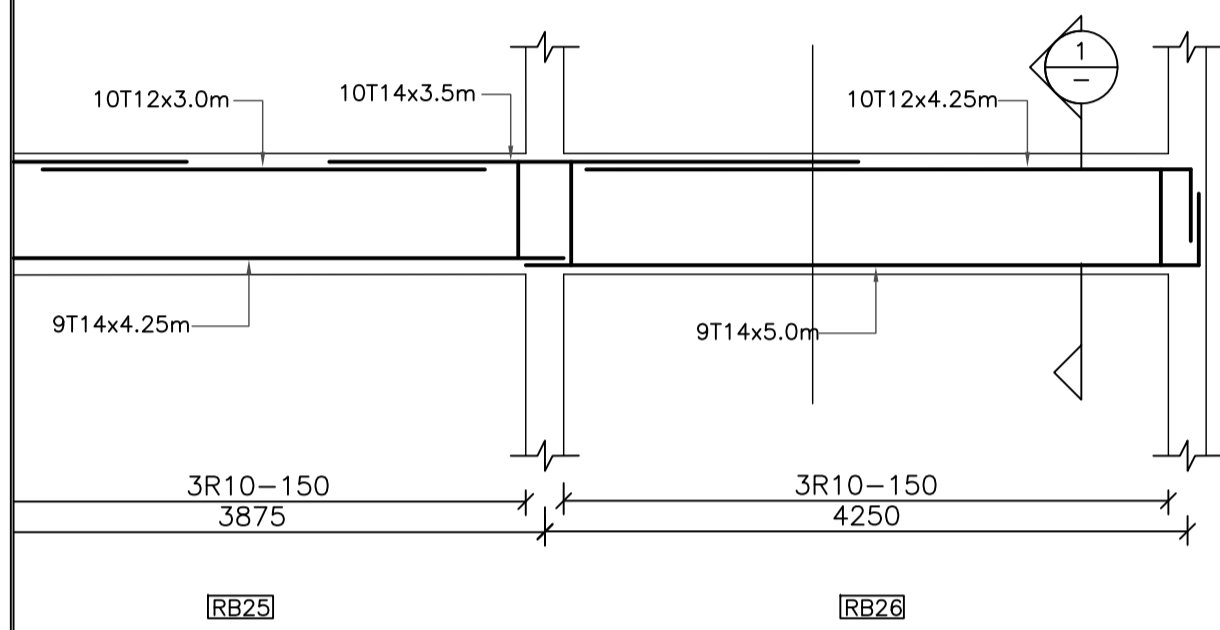
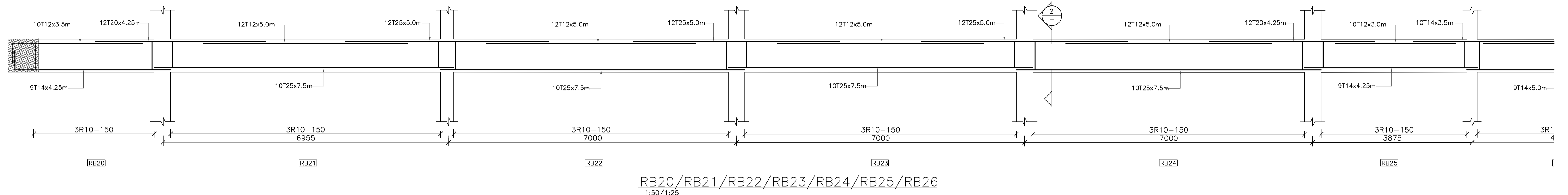


PHASE III
PACKAGE 1
UM AL DANANIR BASIC MIXED (AMMAN)
SCHOOLS FOR A KNOWLEDGE ECONOMY PROJECT (USAID SKEP)

DRAWING NAME:
ROOF FLOOR BEAMS -1-
PLOT No 568
LOCATION UM AL DANANIR
BASIN NO 002-ALQESHANEYEH

Design: A.KH.
SCALE: 1/50
Date: JUNE 2020
DRAWING NUMBER: SKEP 13-SSB513

Drawn: CAD
Checked: R.K
Approved:
Rev.: 0



REV.	DATE	REMARKS
0	JUNE 2020	VOL. IV - TENDER DRAWINGS

NOTES:

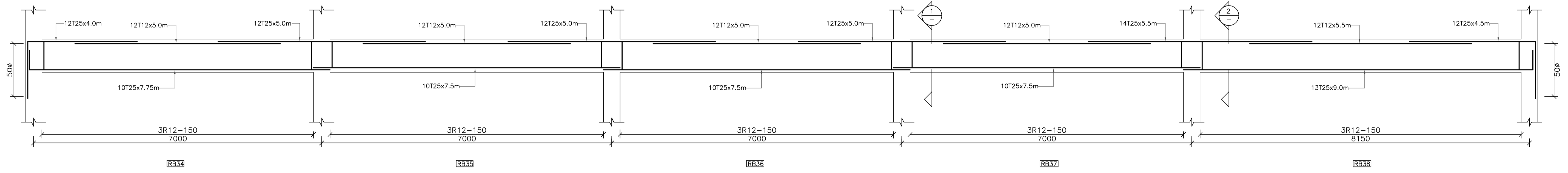


PHASE III
PACKAGE 1
UM AL DANANIR BASIC MIXED (AMMAN)
SCHOOLS FOR A KNOWLEDGE ECONOMY PROJECT (USAID SKEP)

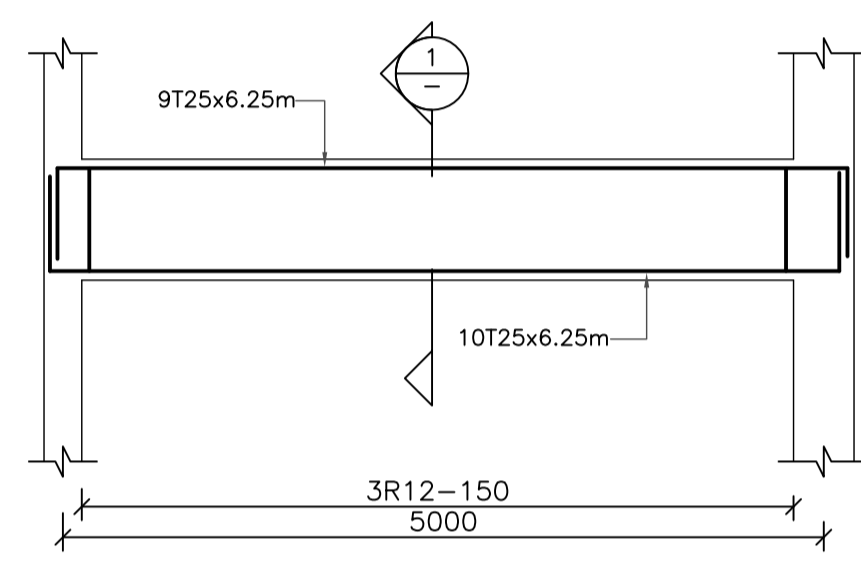
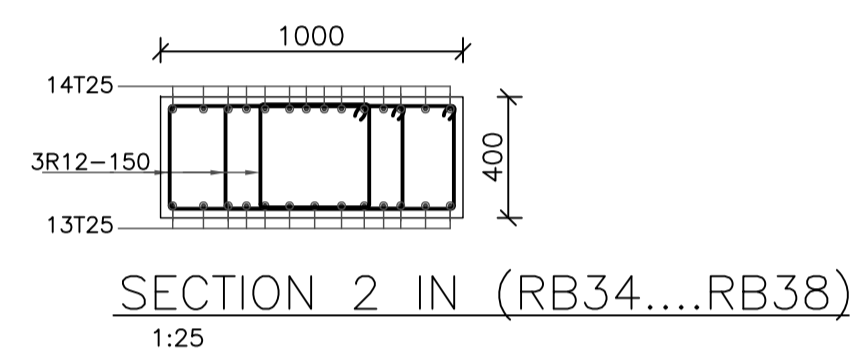
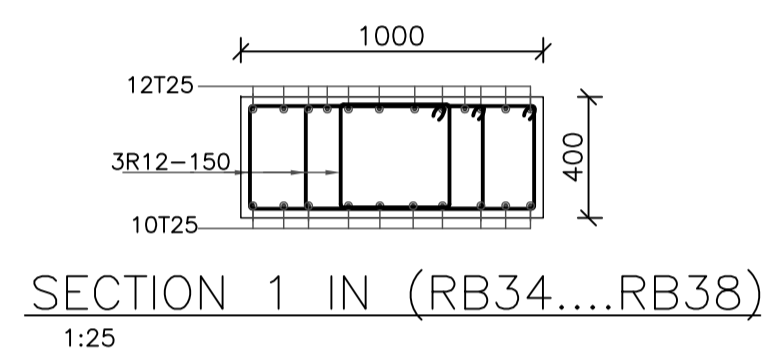
DRAWING NAME:
ROOF FLOOR BEAMS -2-
PLOT No 568
LOCATION UM AL DANANIR
BASIN NO 002-ALQESHANEYEH

Design: A.KH.
SCALE: 1/50
Date: JUNE 2020
DRAWING NUMBER: SKEP 13-SSB514

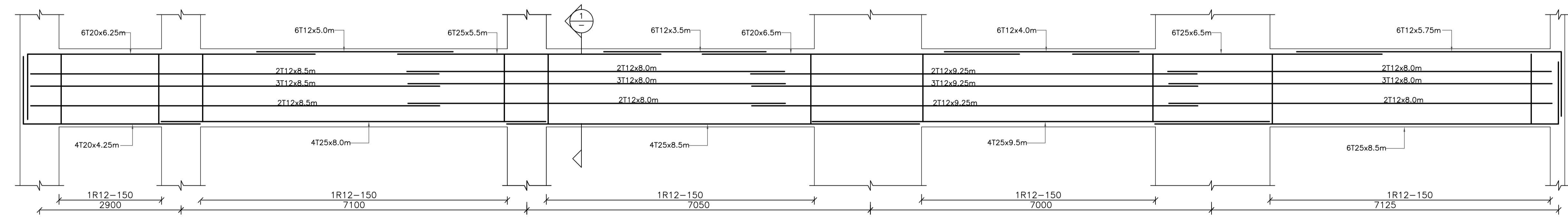
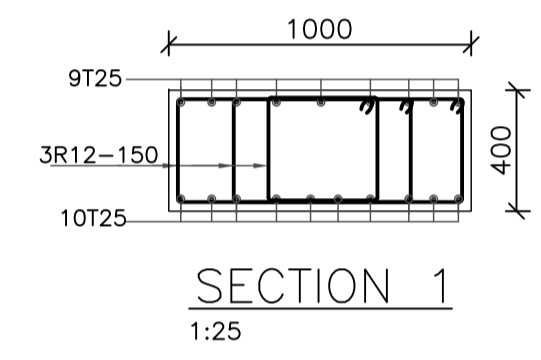
Drawn: CAD
Checked: R.K
Approved:
Rev.: 0



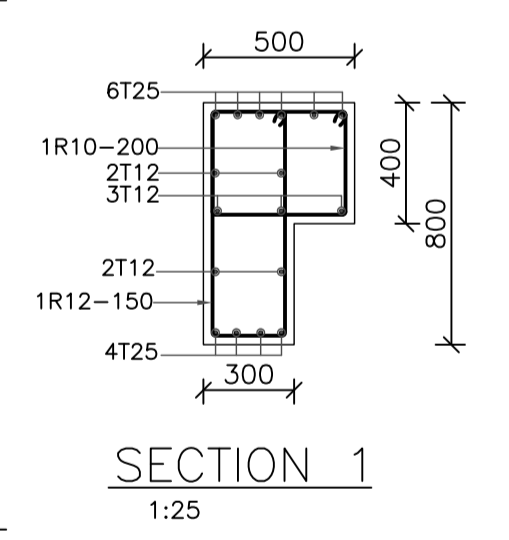
RB34/RB35/RB36/RB37/RB38
1:50/1:25



RB33
1:50/1:25



RB40/RB41/RB42/RB43/RB44
1:50/1:25



REV.	DATE	REMARKS
0	JUNE 2020	VOL. IV - TENDER DRAWINGS

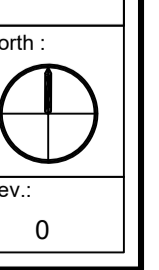
NOTES:

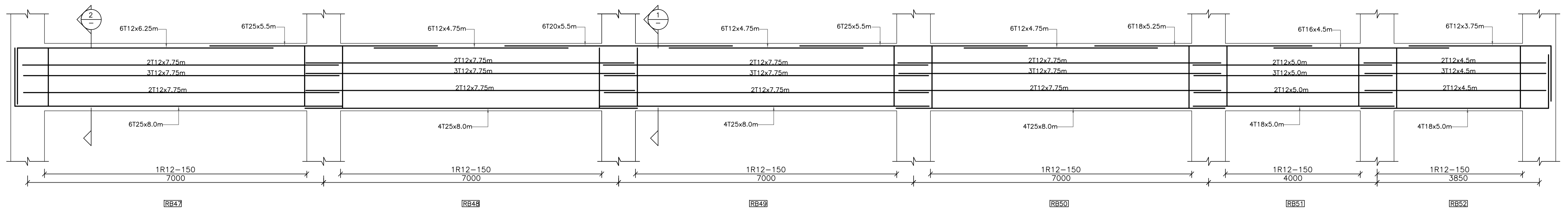


PHASE III
PACKAGE 1
UM AL DANANIR BASIC MIXED (AMMAN)
SCHOOLS FOR A KNOWLEDGE ECONOMY PROJECT (USAID SKEP)

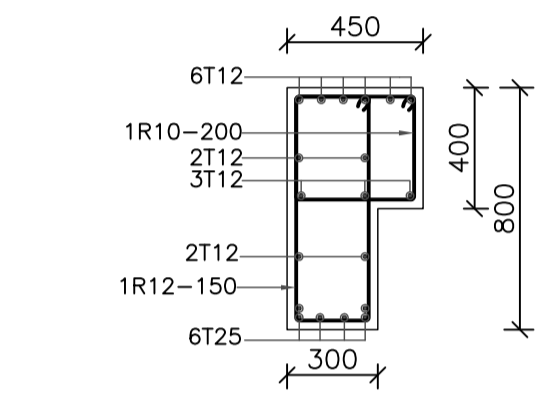
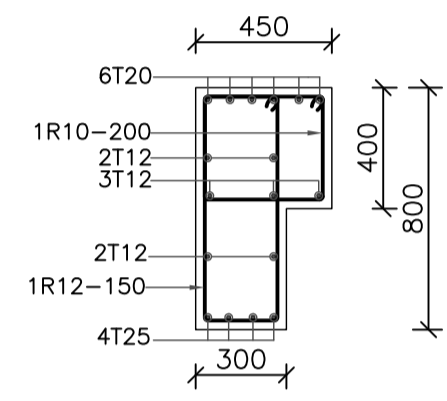
DRAWING NAME:
ROOF FLOOR BEAMS -3-
PLOT No 568
LOCATION UM AL DANANIR
BASIN NO 002-ALQESHANEYEH

Design: A.KH.
SCALE: 1/50
Date: JUNE 2020
DRAWING NUMBER: SKEP 13-SSB515
Rev.: 0



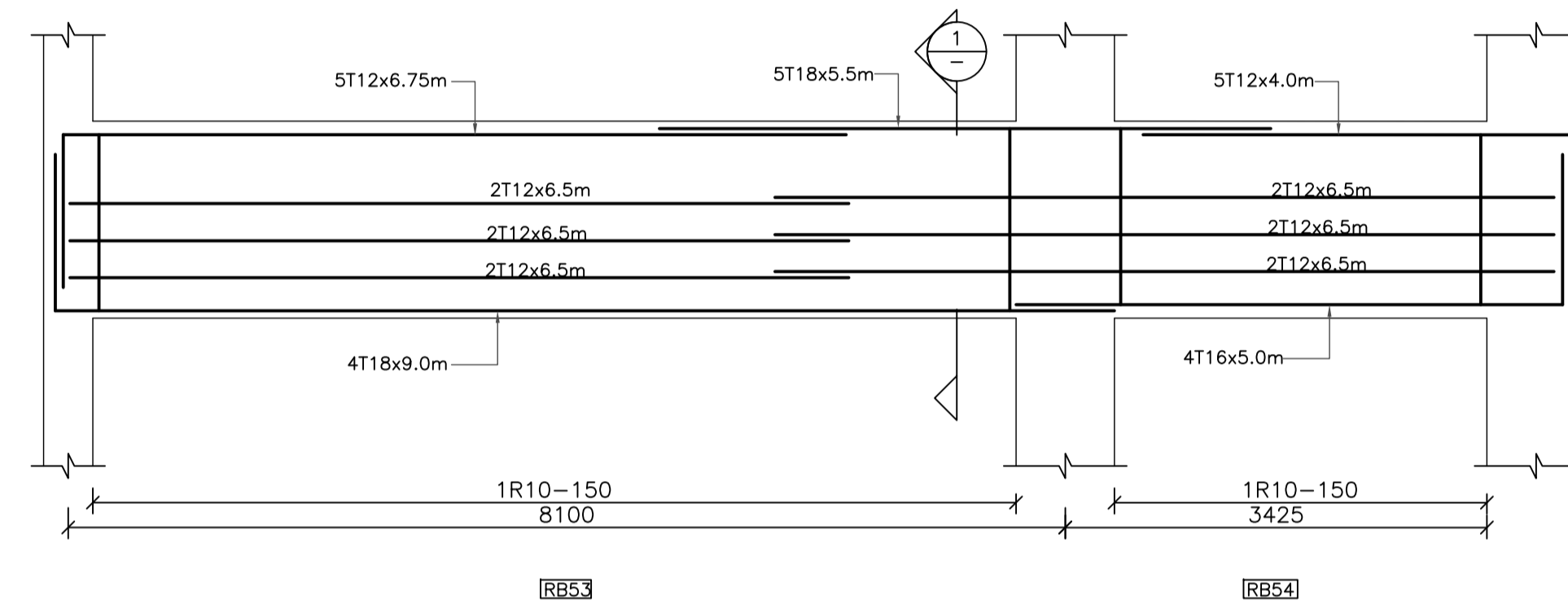


RB47/RB48/RB49/RB50/RB51/RB52
1:50/1:25

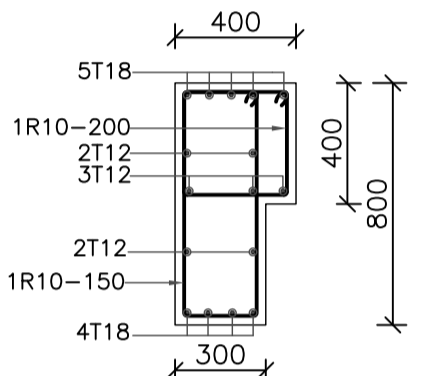


SECTION 1 (IN RB47...RB52)
1:25

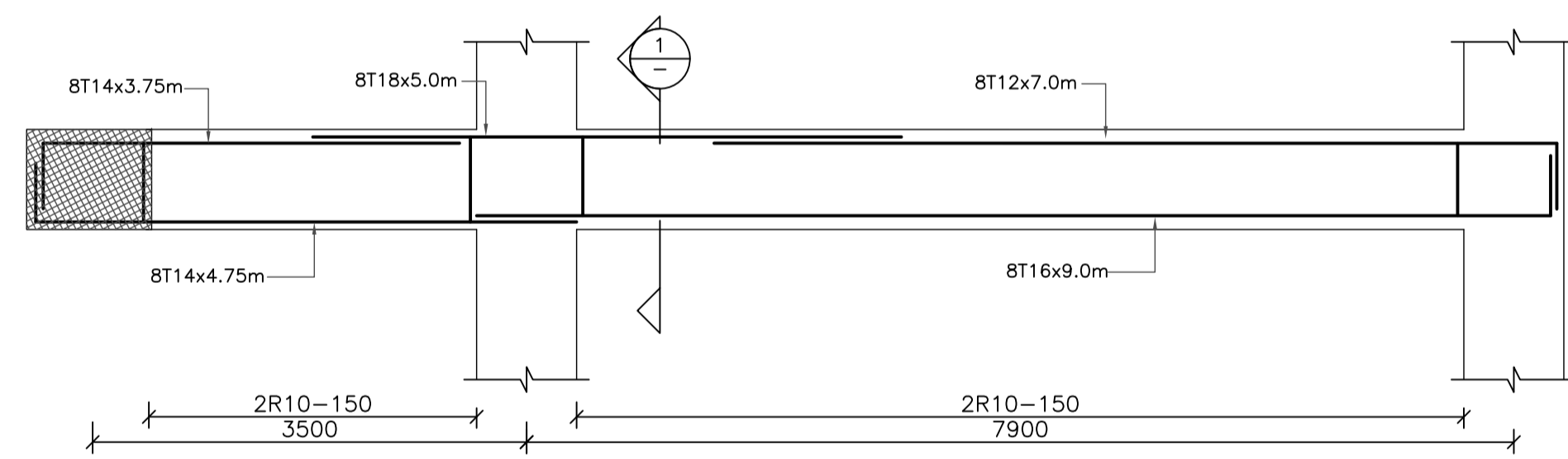
SECTION 2 (IN RB47...RB52)
1:25



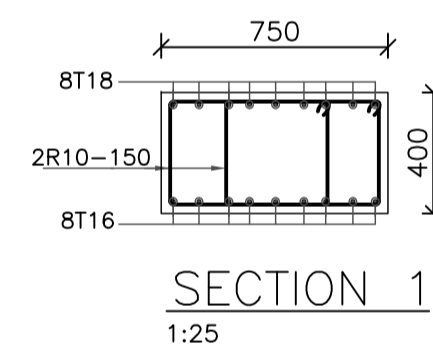
RB53/RB54
1:50/1:25



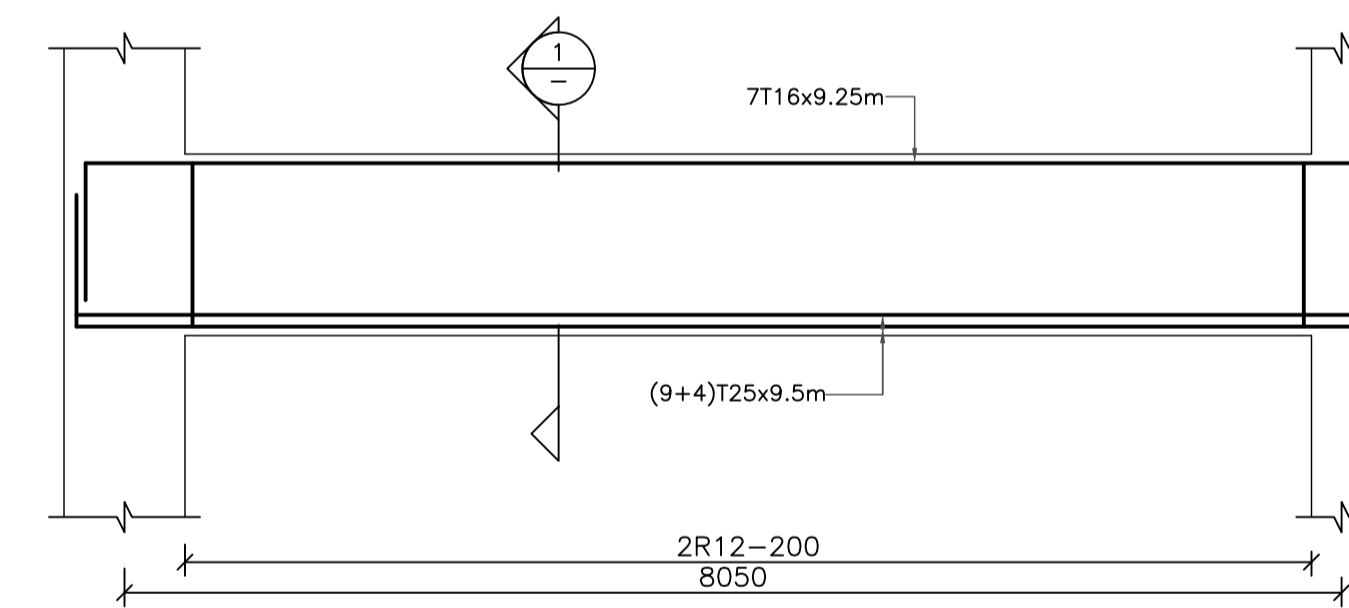
SECTION 1
1:25



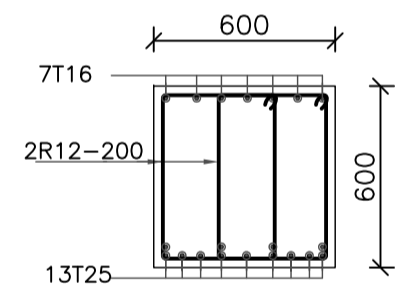
RB55/RB56
1:50/1:25



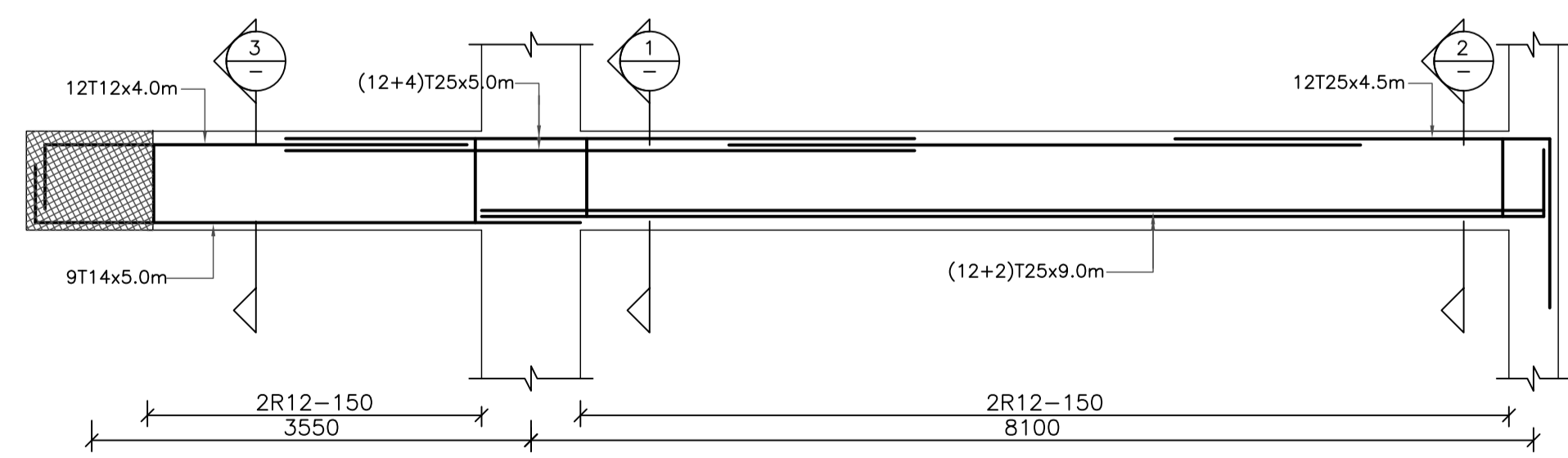
SECTION 1
1:25



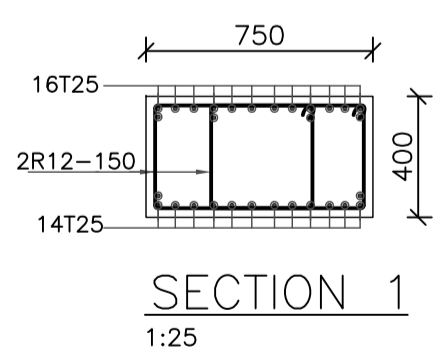
RB61
1:50/1:25



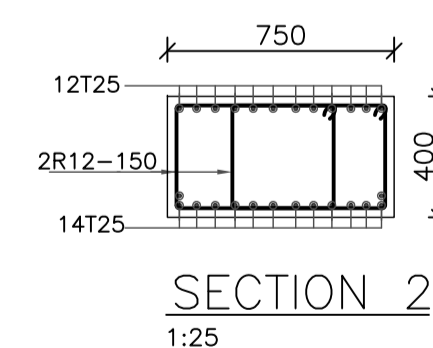
SECTION 1
1:25



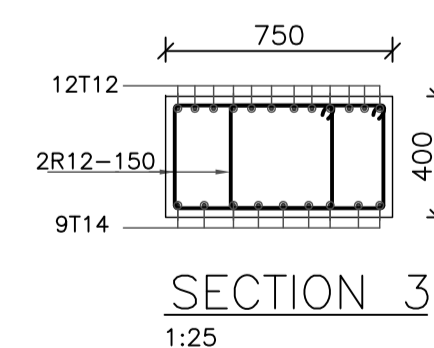
RB57/RB58
1:50/1:25



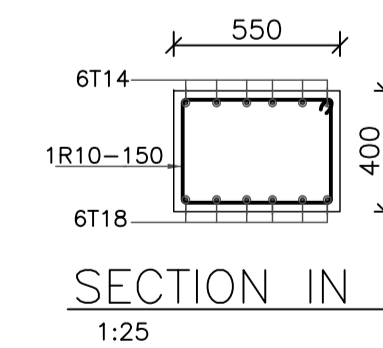
SECTION 1
1:25



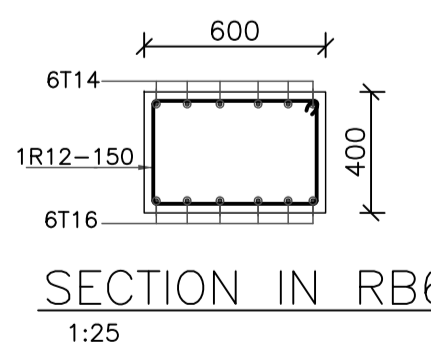
SECTION 2
1:25



SECTION 3
1:25



SECTION IN RB59
1:25



SECTION IN RB60
1:25

REV.	DATE	REMARKS
0	JUNE 2020	VOL. IV - TENDER DRAWINGS

NOTES:

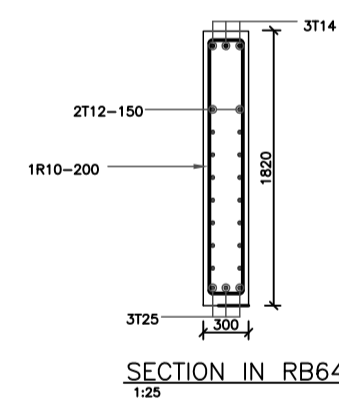
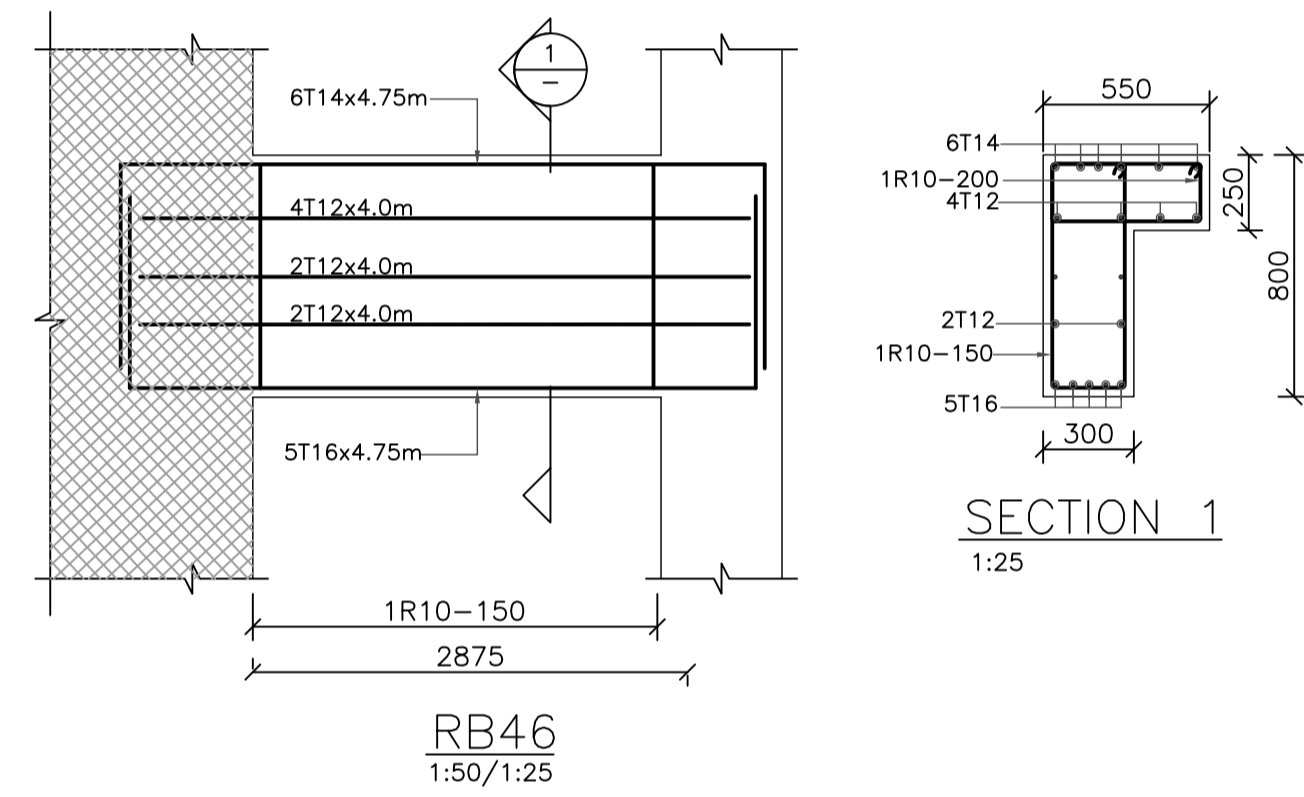
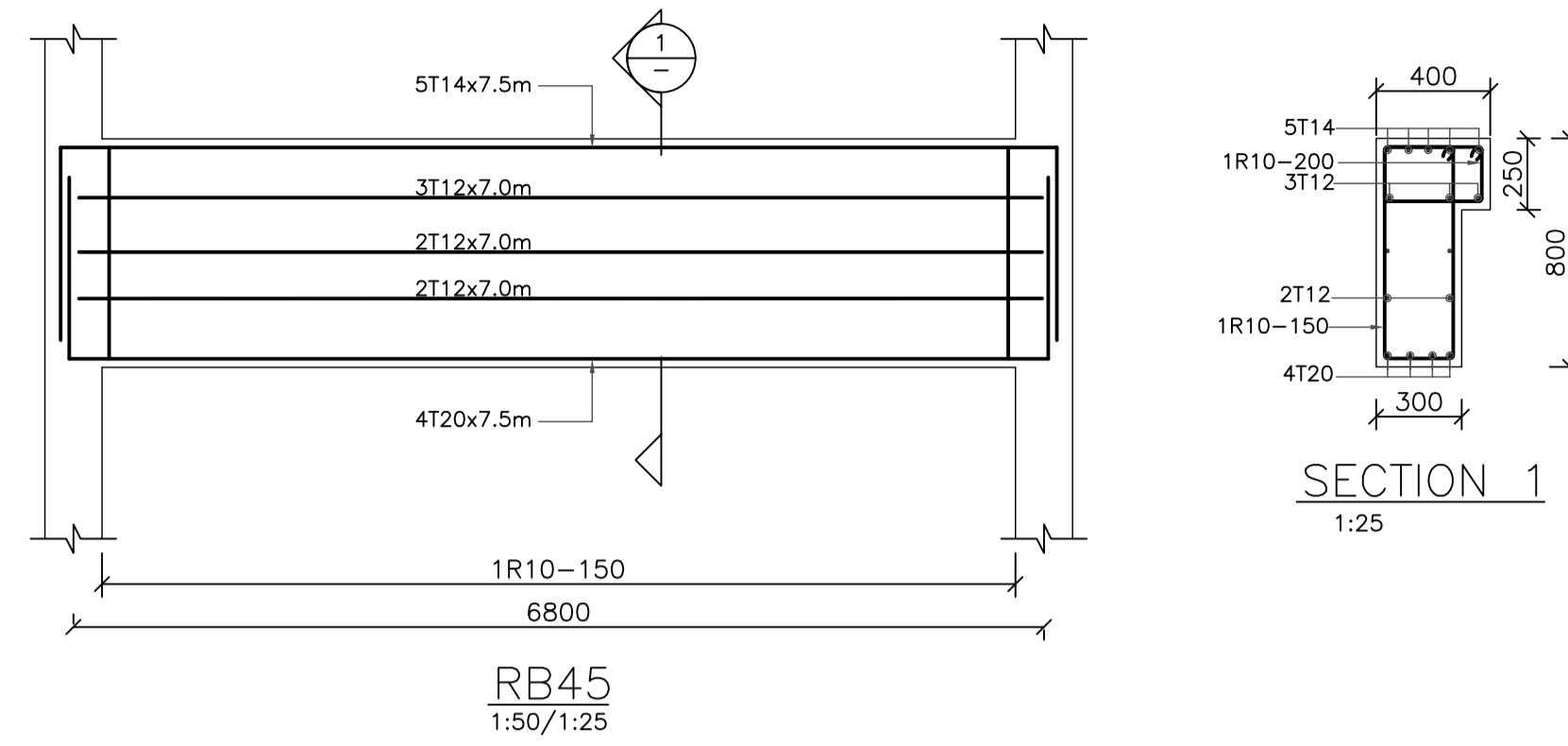


PHASE III
PACKAGE 1
UM AL DANANIR BASIC MIXED (AMMAN)
SCHOOLS FOR A KNOWLEDGE ECONOMY PROJECT (USAID SKEP)

DRAWING NAME:
ROOF FLOOR BEAMS -4-
PLOT No 568
LOCATION UM AL DANANIR
BASIN NO 002-ALQESHANEYEH

Design: A.KH.
SCALE: 1/50
Date: JUNE 2020
DRAWING NUMBER: SKEP 13-SSB516

Checked: R.K.
Approved:
Rev.: 0



REV.	DATE	REMARKS
0	JUNE 2020	VOL. IV - TENDER DRAWINGS

NOTES:

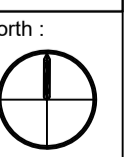


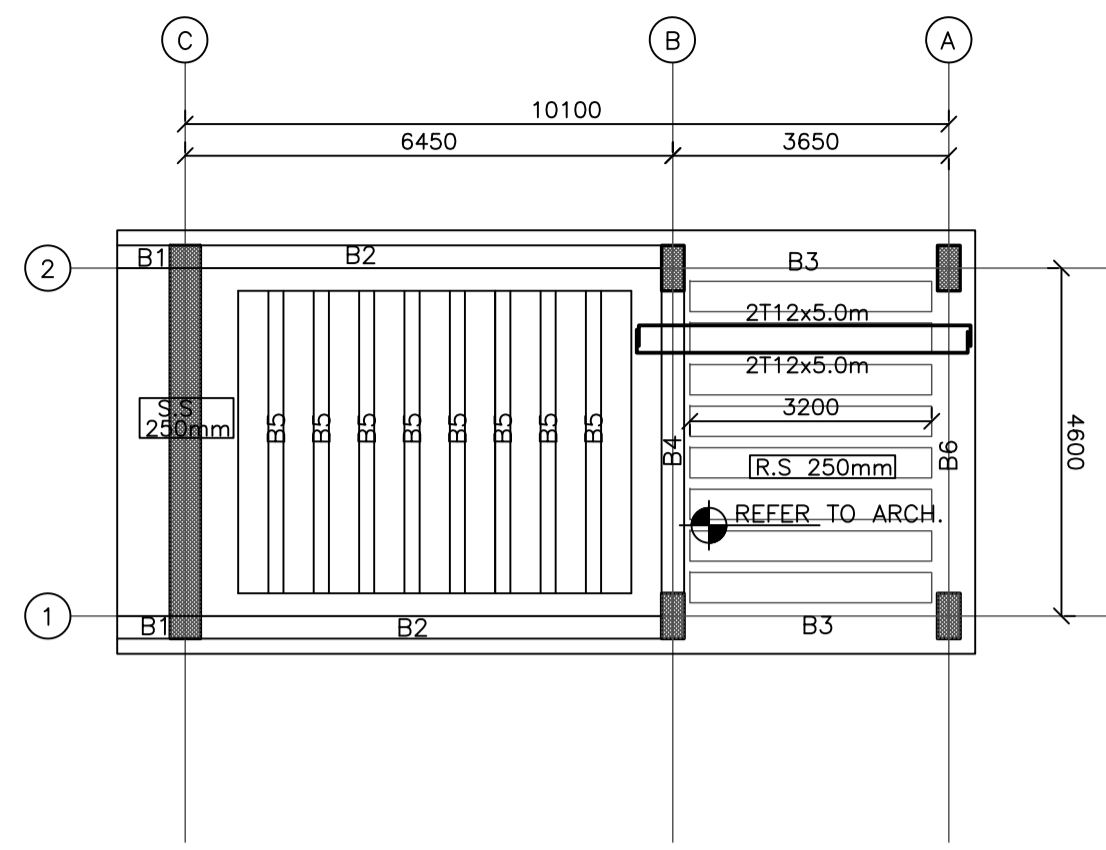
PHASE III
PACKAGE 1

UM AL DANANIR BASIC MIXED (AMMAN)
SCHOOLS FOR A KNOWLEDGE ECONOMY PROJECT (USAID SKEP)

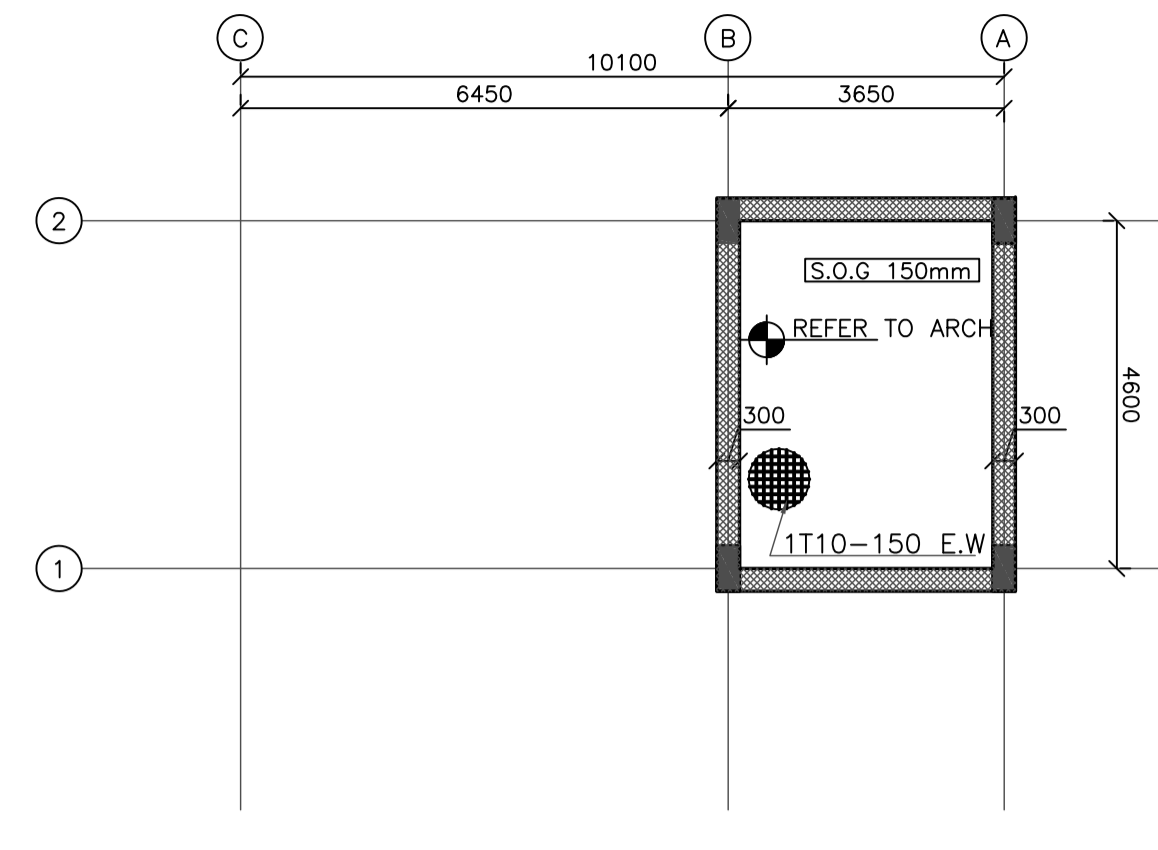
DRAWING NAME: TOP OF ROOF FLOOR BEAMS		
DESIGN: A.K.H.	DRAWN: CAD	CHECKED: R.K.
SCALE: 1/50	DATE: JUNE 2020	APPROVED:
PLOT No: 568	LOCATION: UM AL DANANIR	BASIN NO: 002-ALQESHANEYEH

DRAWING NUMBER: SKEP 13-SSB517		Rev.: 0
--------------------------------	--	---------

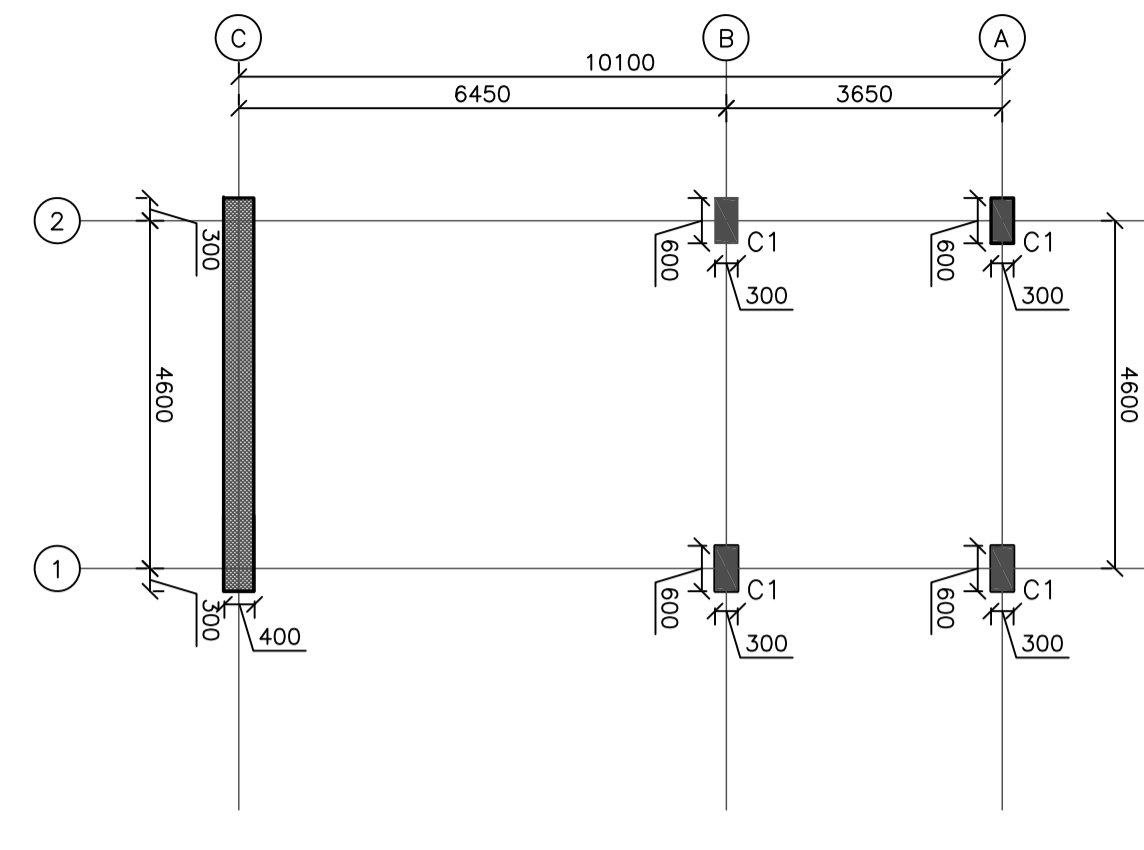




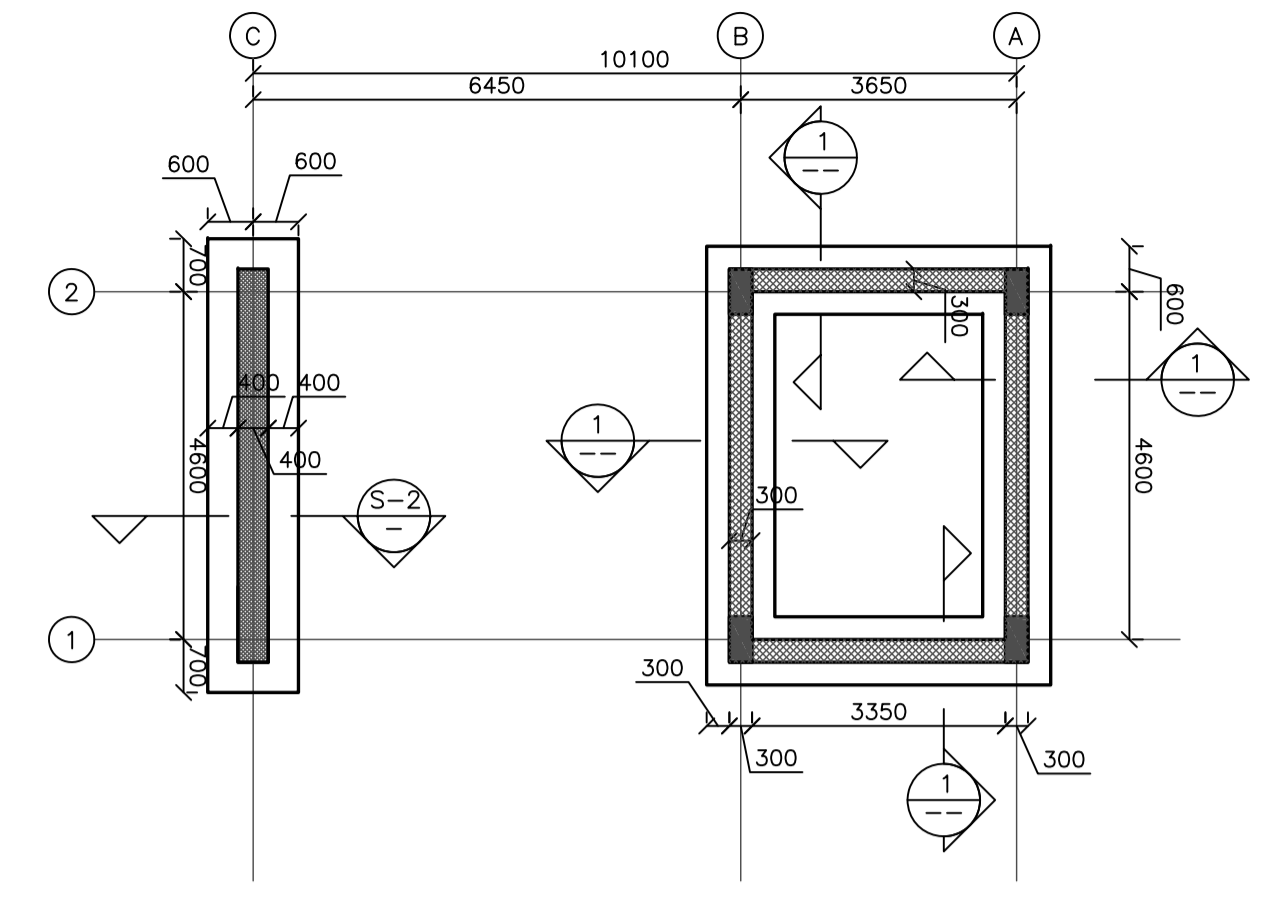
ROOF FLOOR FRAMING PLAN
1:100



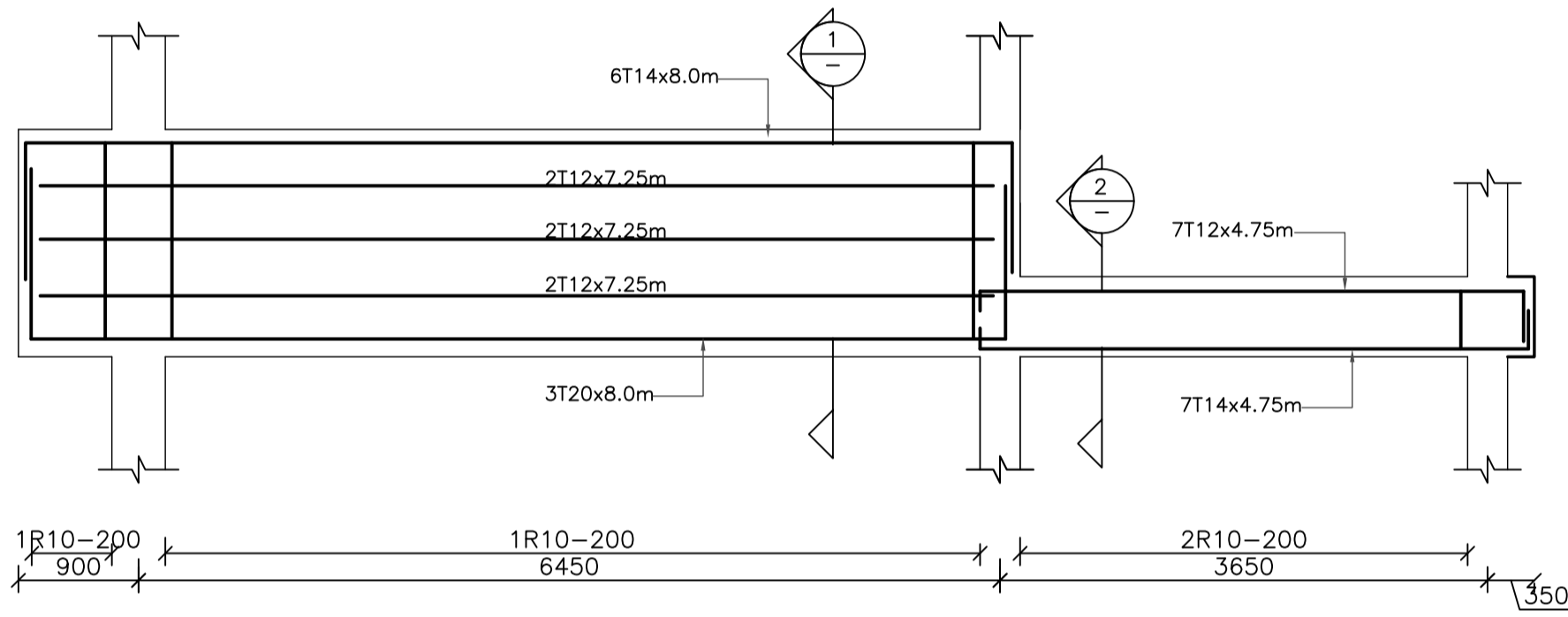
SLAB ON GRADE
1:100



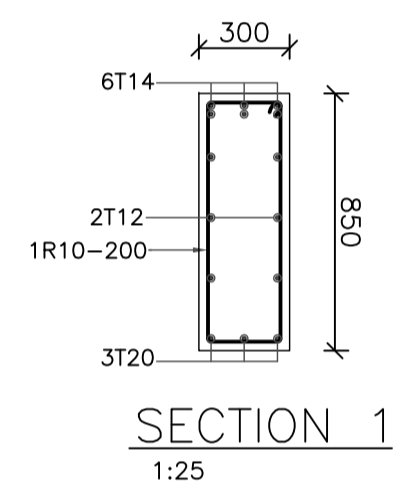
COLUMNS LAYOUT
1:100



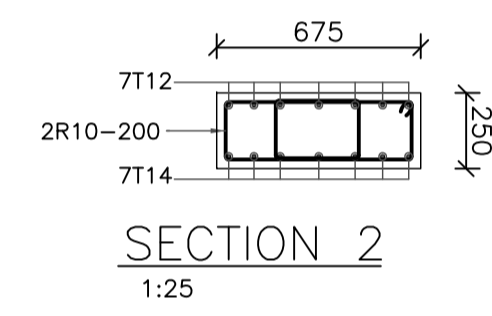
FOUNDATION PLAN
1:100



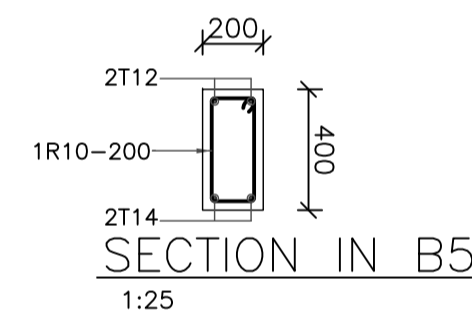
B1/B2/B3
1:50/1:25



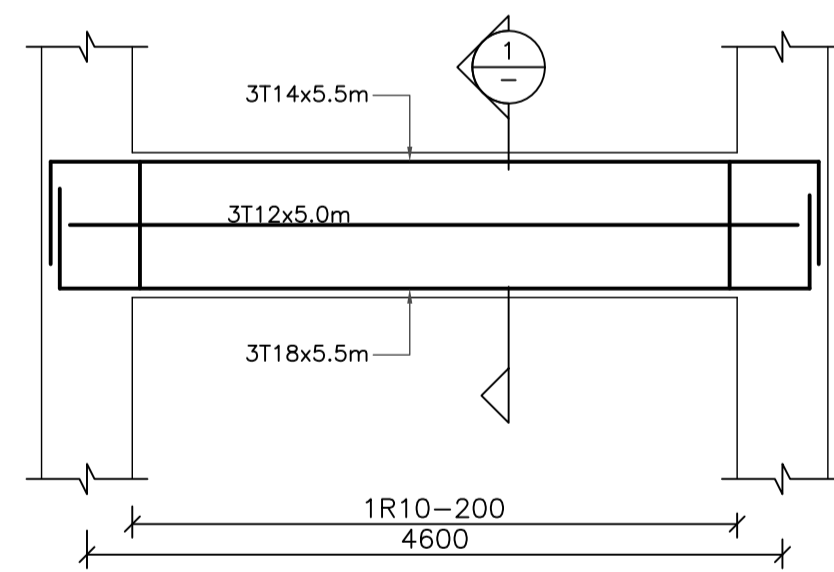
SECTION 1
1:25



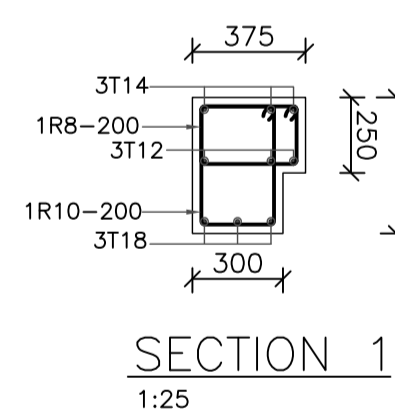
SECTION 2
1:25



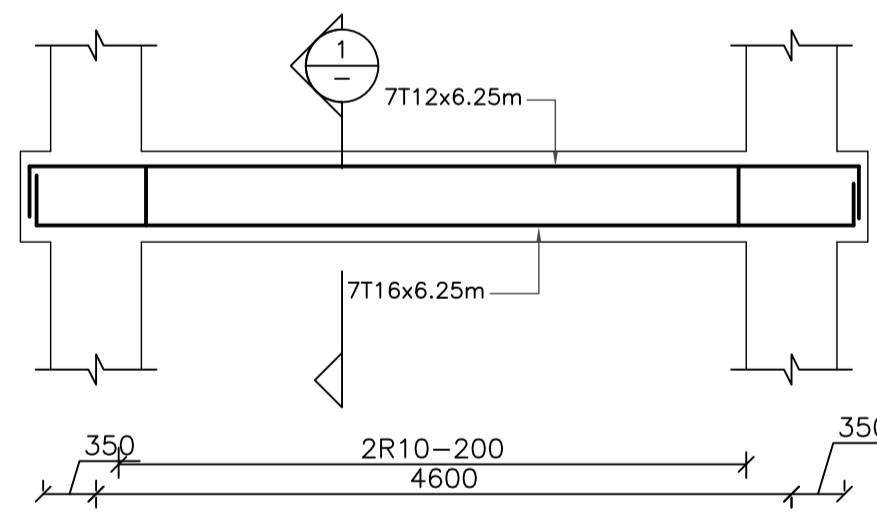
SECTION IN B5
1:25



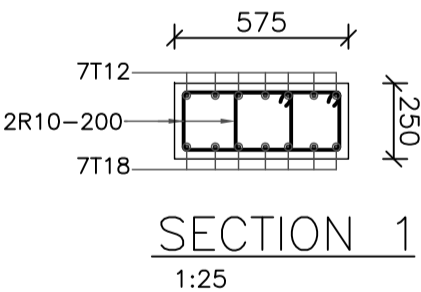
B4
1:50/1:25



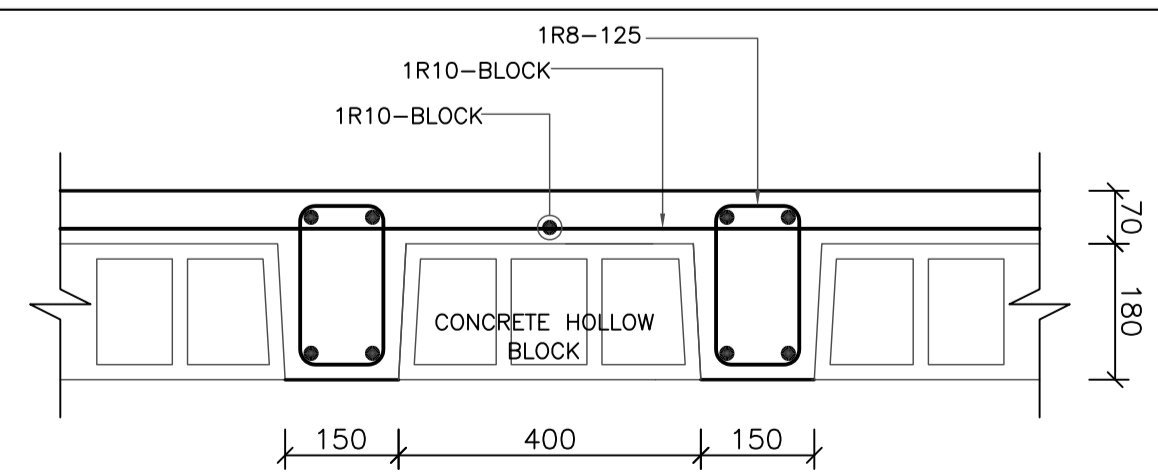
SECTION 1
1:25



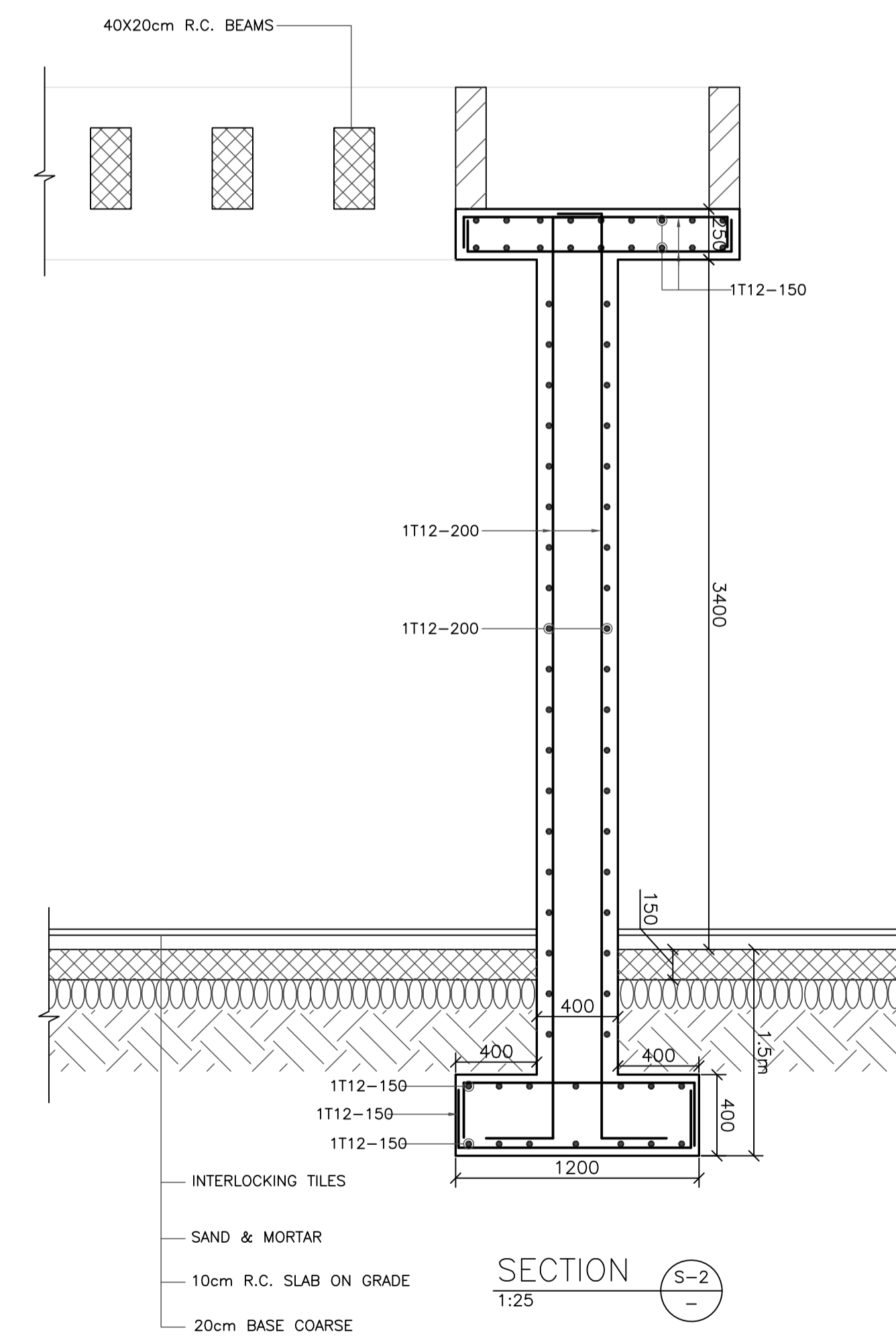
B6
1:50/1:25



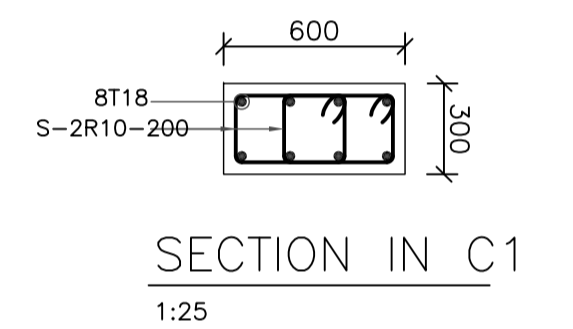
SECTION 1
1:25



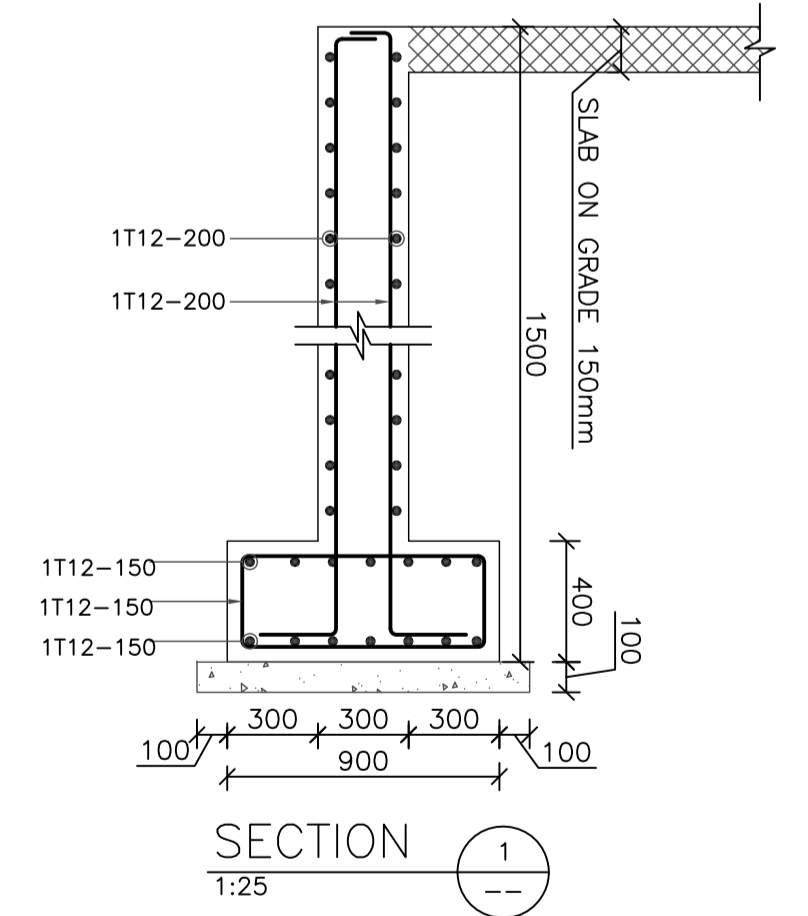
TYPICAL SECTION IN RIBBED SLAB 250mm
1:10



SECTION 5-2
1:25



SECTION IN C1
1:25



SECTION 1
1:25

REV.	DATE	REMARKS
0	JUNE 2020	VOL. IV - TENDER DRAWINGS

NOTES:

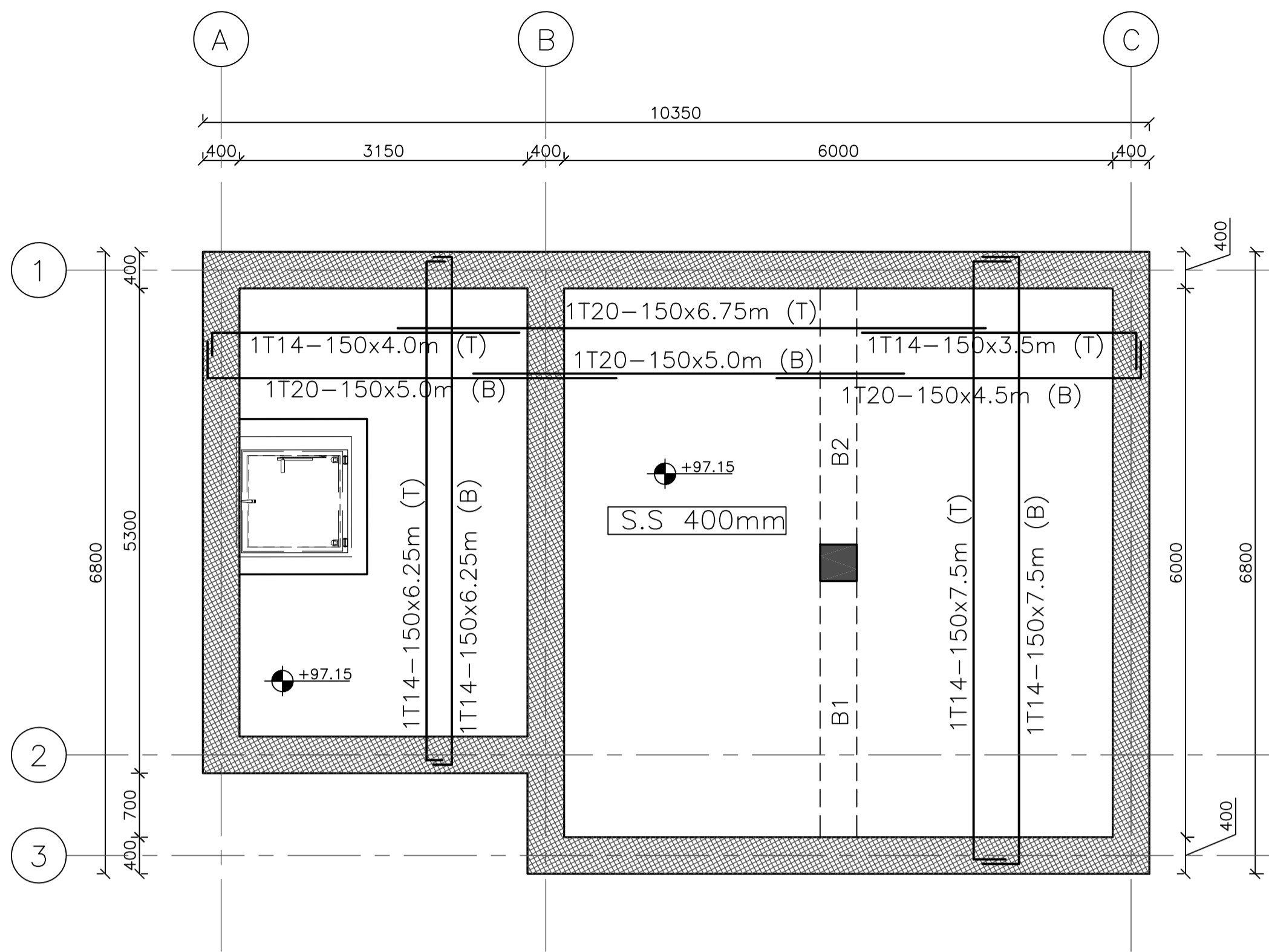


PHASE III
PACKAGE 1
UM AL DANANIR BASIC MIXED (AMMAN)
SCHOOLS FOR A KNOWLEDGE ECONOMY PROJECT (USAID SKEP)

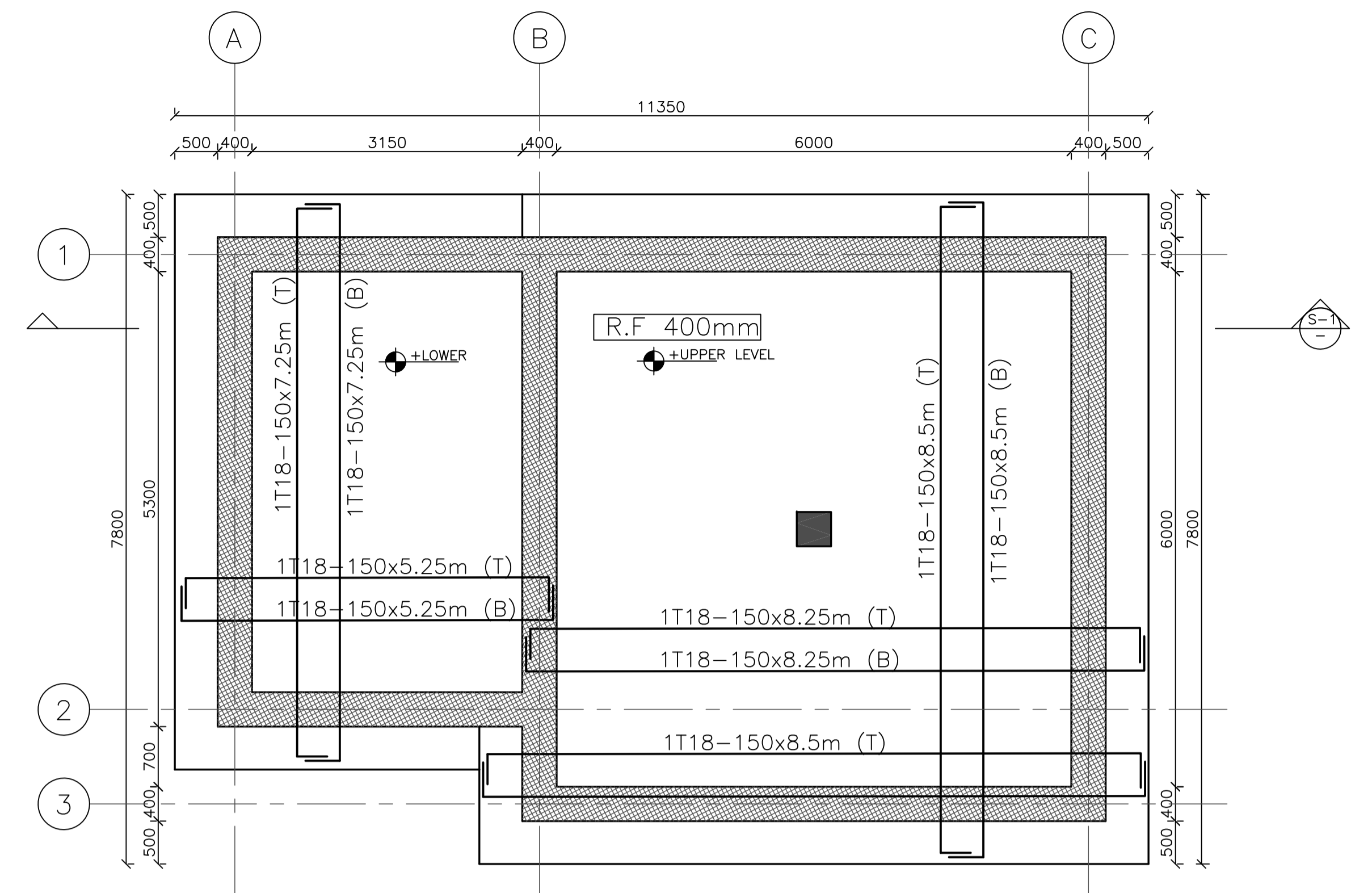
DRAWING NAME:
GUARD HOUSE STRUCTURAL DETAILS
PLOT No: 568
LOCATION: UM AL DANANIR
BASIN NO: 002-ALGESHANEYEH

Design: A.KH.
SCALE: AS SHOWN
Date: JUNE 2020
Checked: R.K.
Approved:
DRAWING NUMBER: SKEP 13-SD-600
Rev.: 0

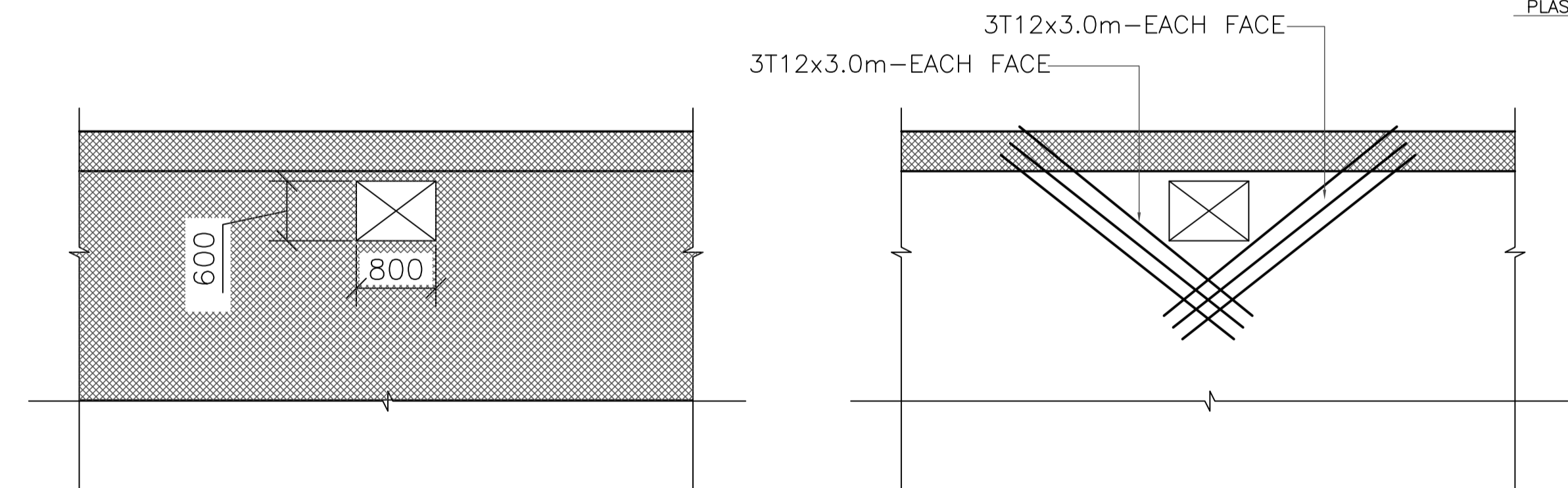




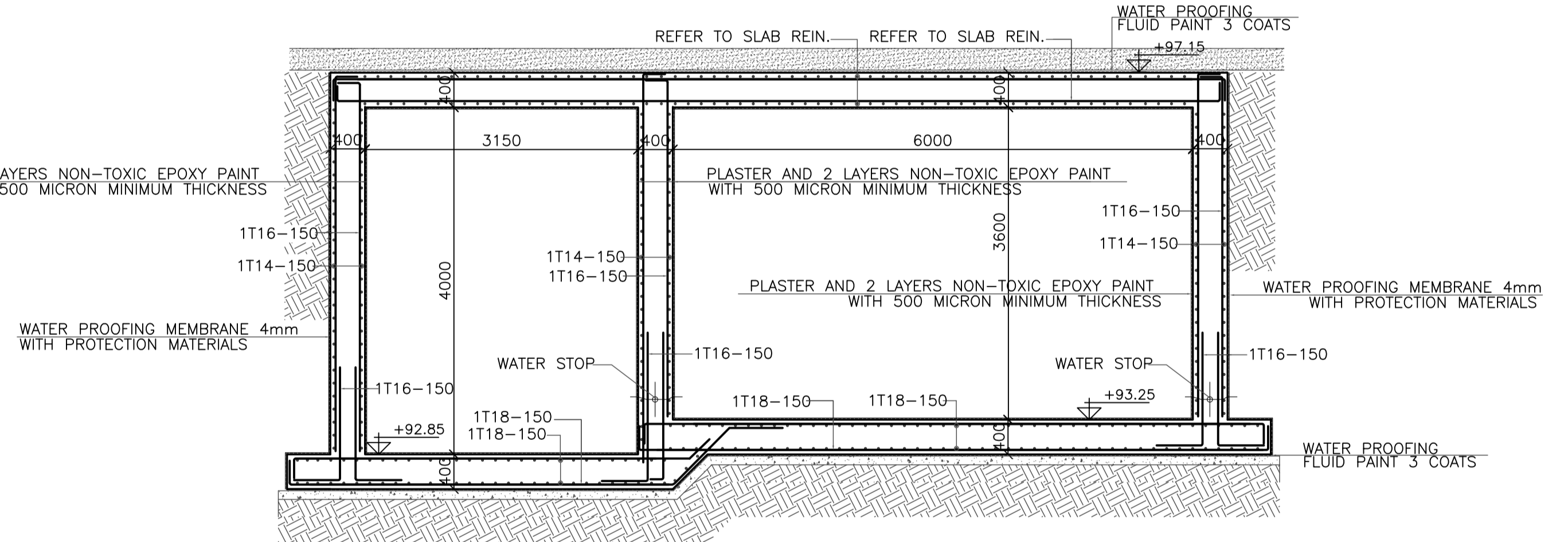
ROOF FLOOR FRAMING PLAN
1:50



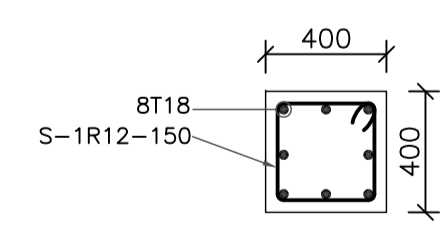
FOUNDATION PLAN
1:50



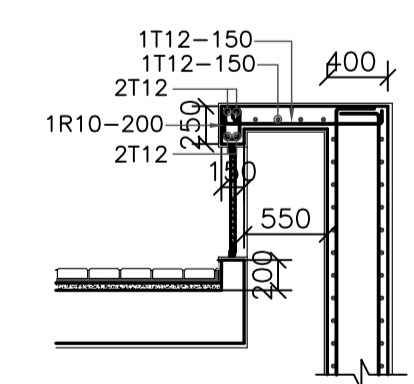
TYPICAL ACCESS OPENING REINFORCEMENT
1:50



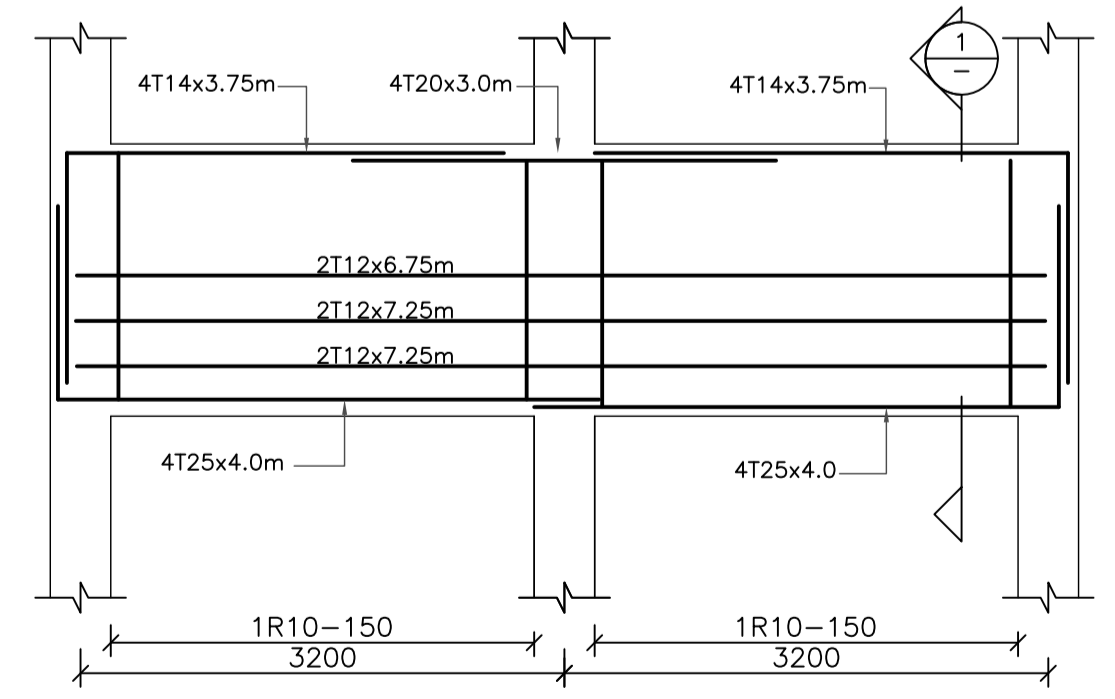
SECTION S-1
1:50



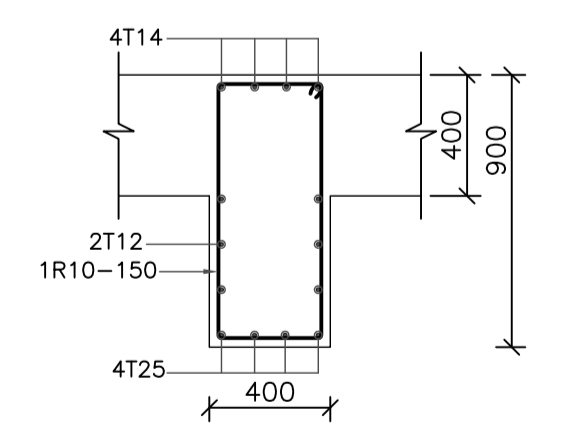
SECTION IN C1
1:25



VENTILATION OPENING SECTION
1:50

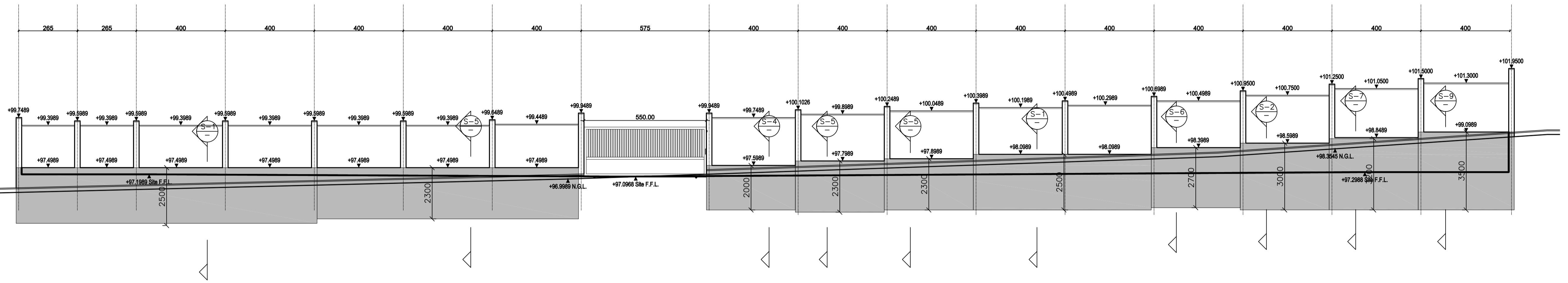


B1/B2
1:50/1:25

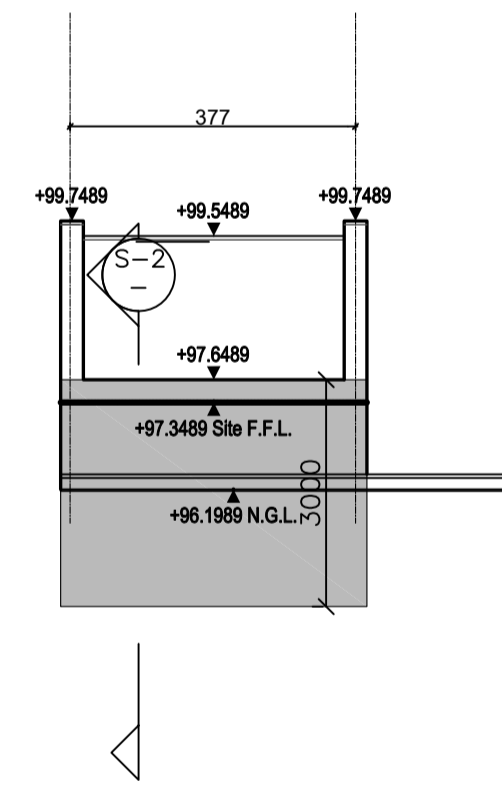


SECTION 1
1:25

NOTES:									PHASE III PACKAGE 1	UM AL DANANIR BASIC MIXED (AMMAN) SCHOOLS FOR A KNOWLEDGE ECONOMY PROJECT (USAID SKEP)	DRAWING NAME: RAIN WATER TANK STRUCTURAL DETAILS	Design: A.KH. Drawn: CAD Checked: R.K. Date: JUNE 2020 Approved:	North:
0	JUNE 2020	VOL. IV - TENDER DRAWINGS									PLOT No: 568 LOCATION: UM AL DANANIR BASIN NO: 002-ALQESHANEYEH	DRAWING NUMBER: SKEP 13-SD-601	Rev.: 0



BOUNDARY WALL ELEVATION (02)
1:100



BOUNDARY WALL ELEVATION (03)
1:100

REV.	DATE	REMARKS
0	JUNE 2020	VOL. IV - TENDER DRAWINGS

NOTES:

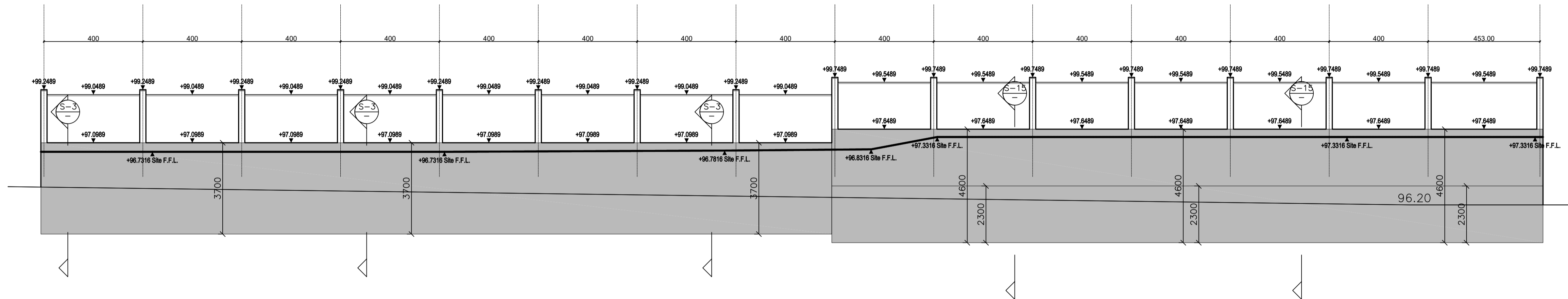


PHASE III
PACKAGE 1
UM AL DANANIR BASIC MIXED (AMMAN)
SCHOOLS FOR A KNOWLEDGE ECONOMY PROJECT (USAID SKEP)

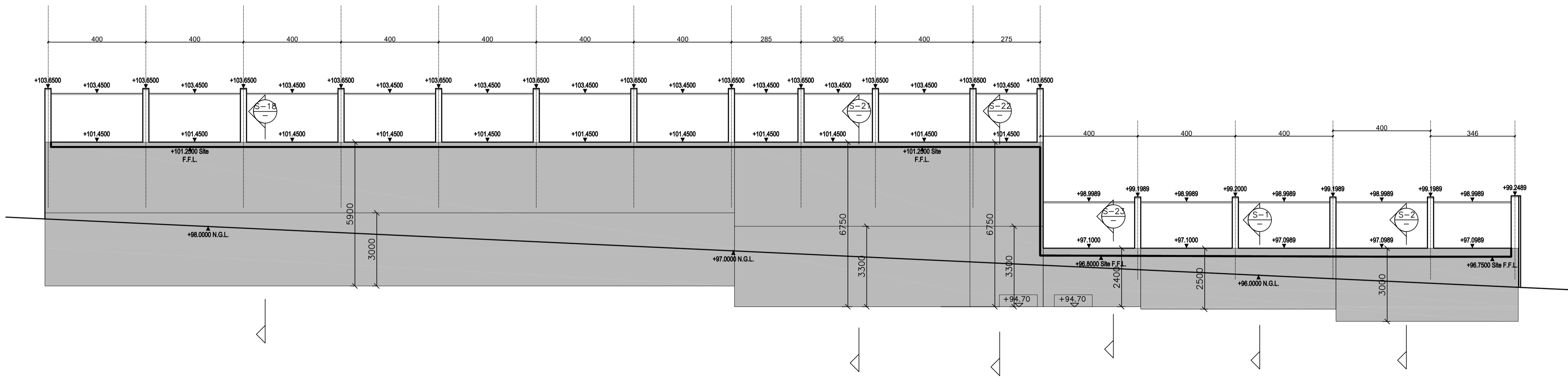
DRAWING NAME:
BOUNDARY WALLS ELEVATIONS -2-
PLOT No 568
LOCATION UM AL DANANIR
BASIN NO 002-ALQESHANEYEH

Design: A.KH.
SCALE: 1/100
Date: JUNE 2020
DRAWING NUMBER: SKEP 13-SD-603

Drawn: CAD
Checked: R.K
Approved:
Rev.: 0



BOUNDARY WALL ELEVATION (04)
1:100



BOUNDARY WALL ELEVATION (05)
1:100

REV.	DATE	REMARKS
0	JUNE 2020	VOL. IV - TENDER DRAWINGS

NOTES:



USAID
FROM THE AMERICAN PEOPLE

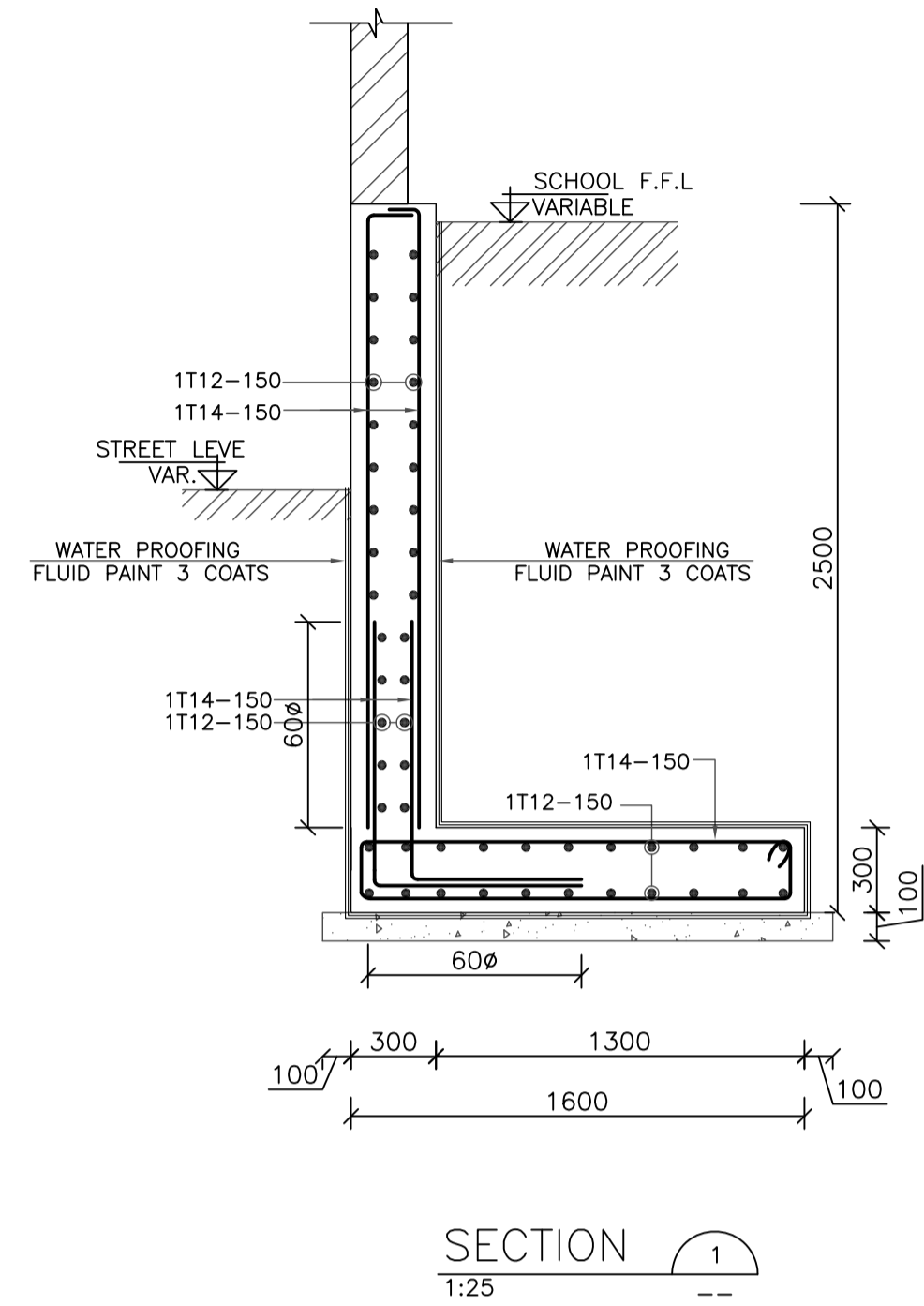


PHASE III
PACKAGE 1

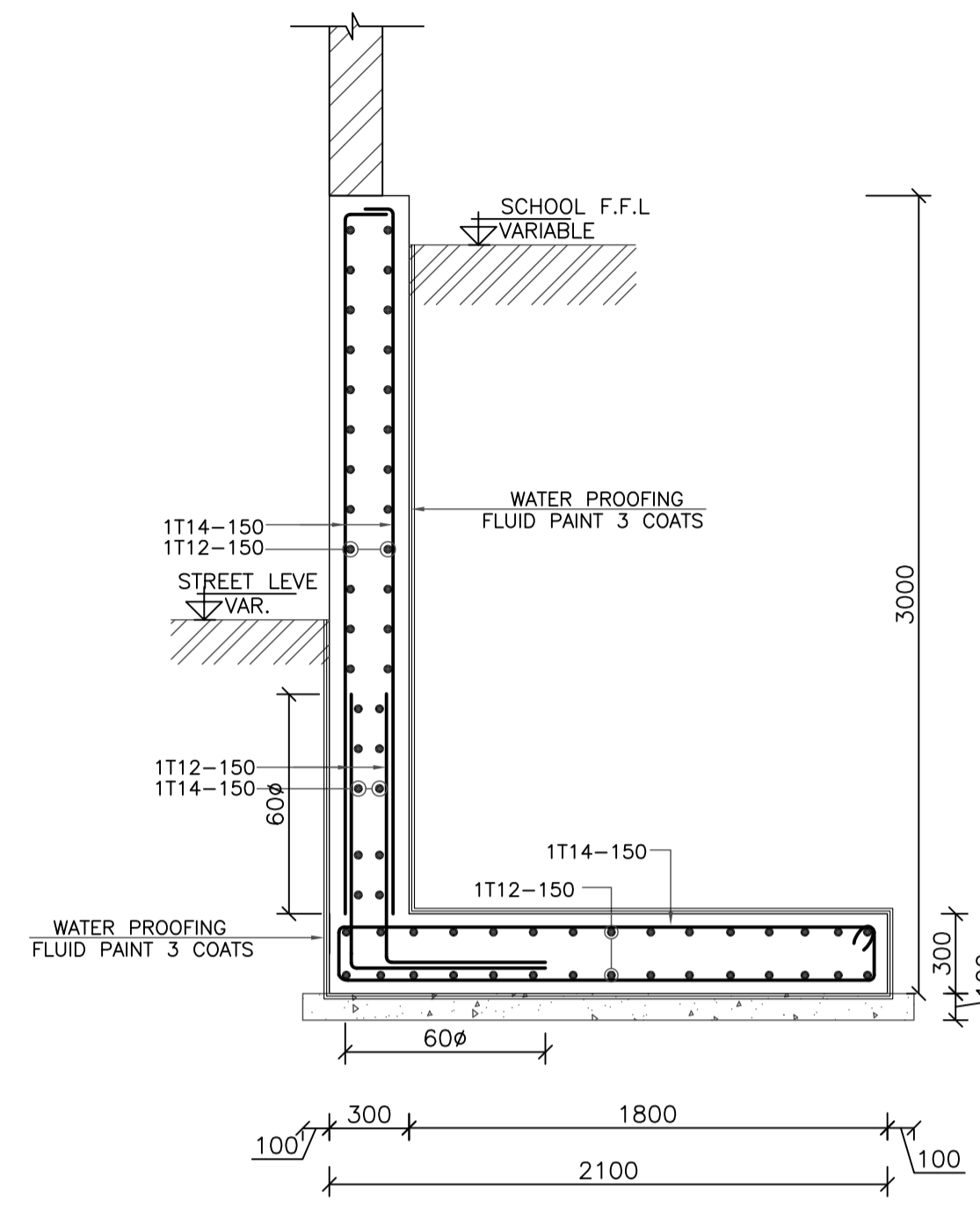
UM AL DANANIR BASIC MIXED (AMMAN)
SCHOOLS FOR A KNOWLEDGE ECONOMY PROJECT (USAID SKEP)

DRAWING NAME: BOUNDARY WALLS ELEVATIONS -3-		
PLOT No 568	LOCATION UM AL DANANIR	BASIN NO 002-ALQESHANEYEH

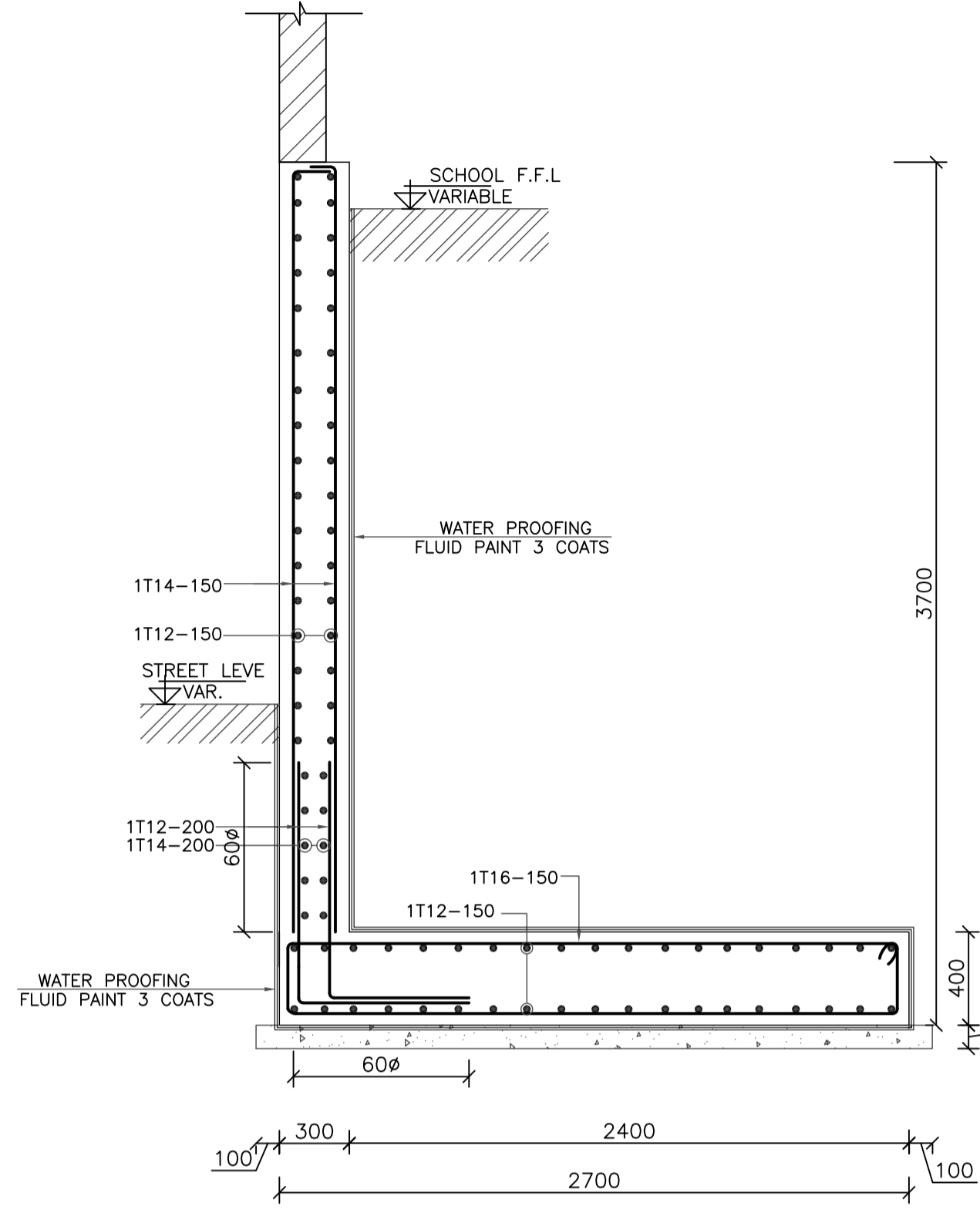
Design: A.KH.	Drawn: CAD	Checked: R.K	North: ⊕
SCALE: 1/100		Date: JUNE 2020	Approved:
DRAWING NUMBER: SKEP 13-SD-604			Rev.: 0



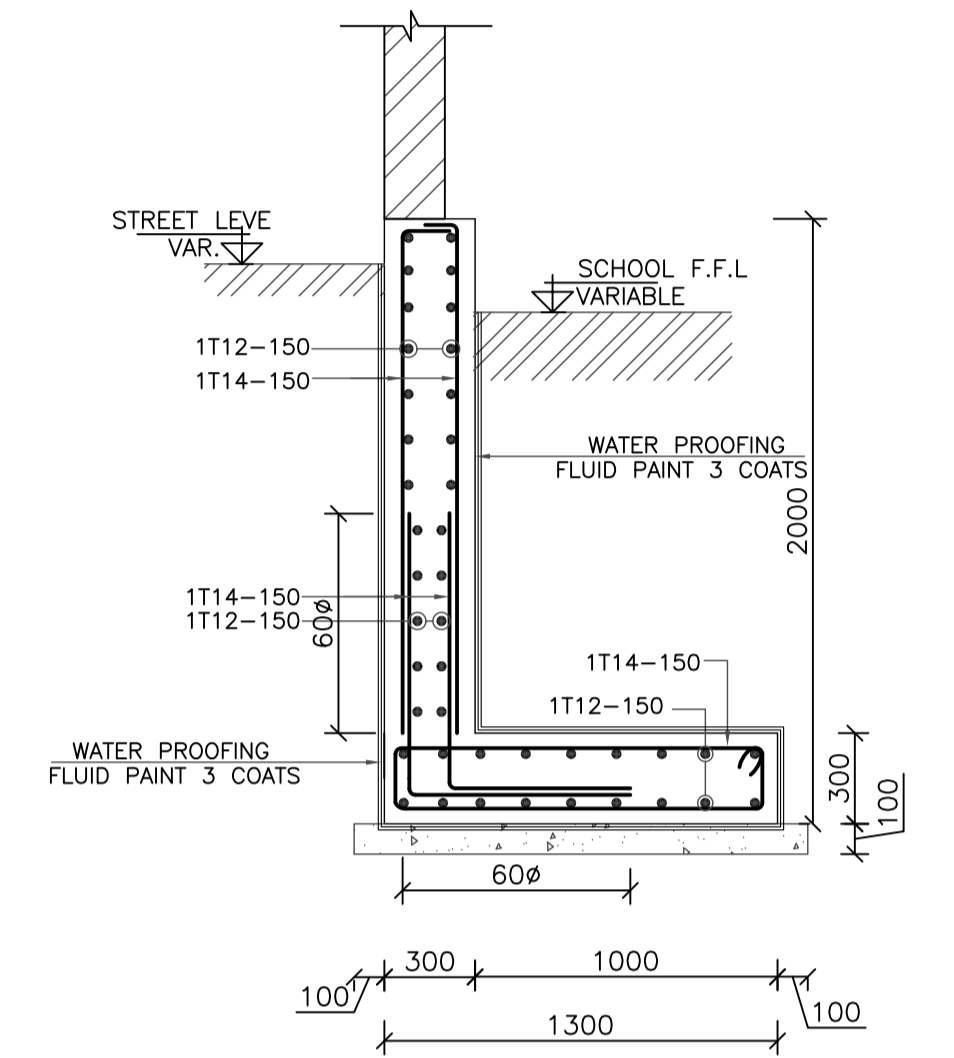
SECTION 1
1:25



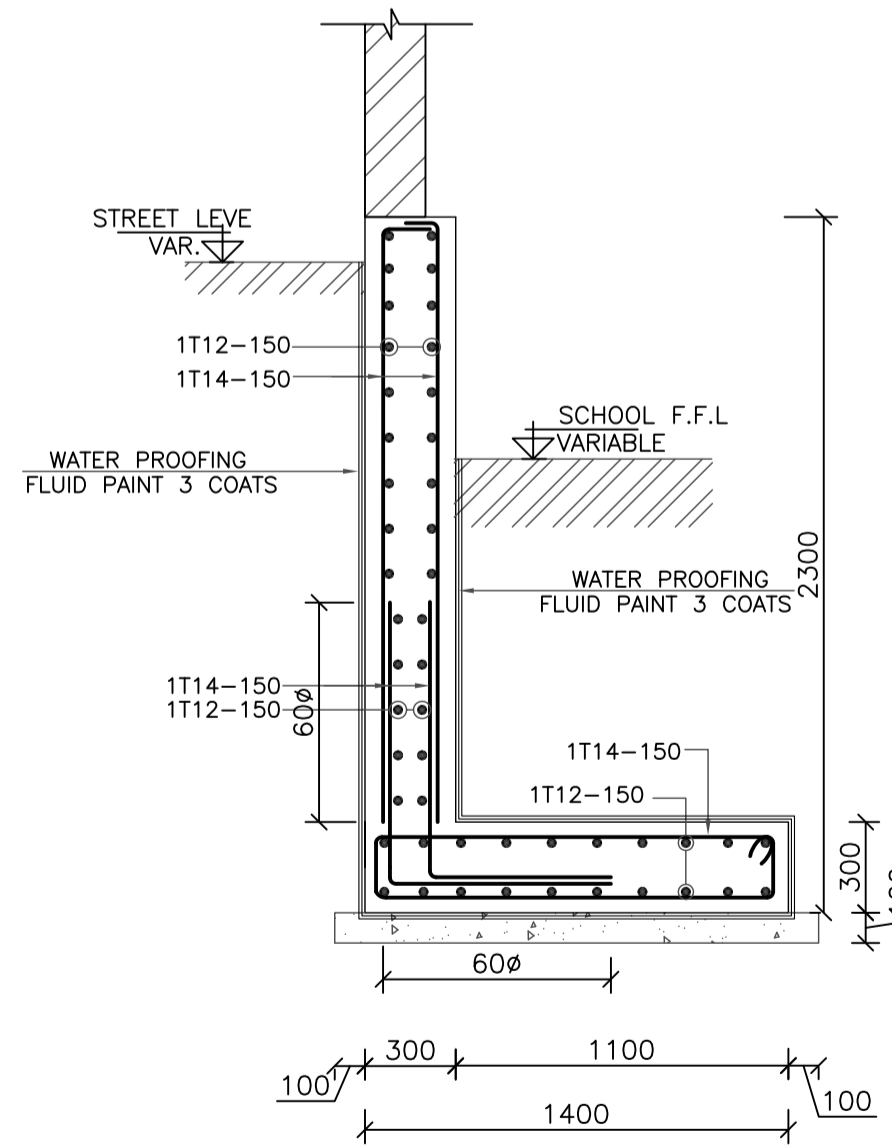
SECTION 2
1:25



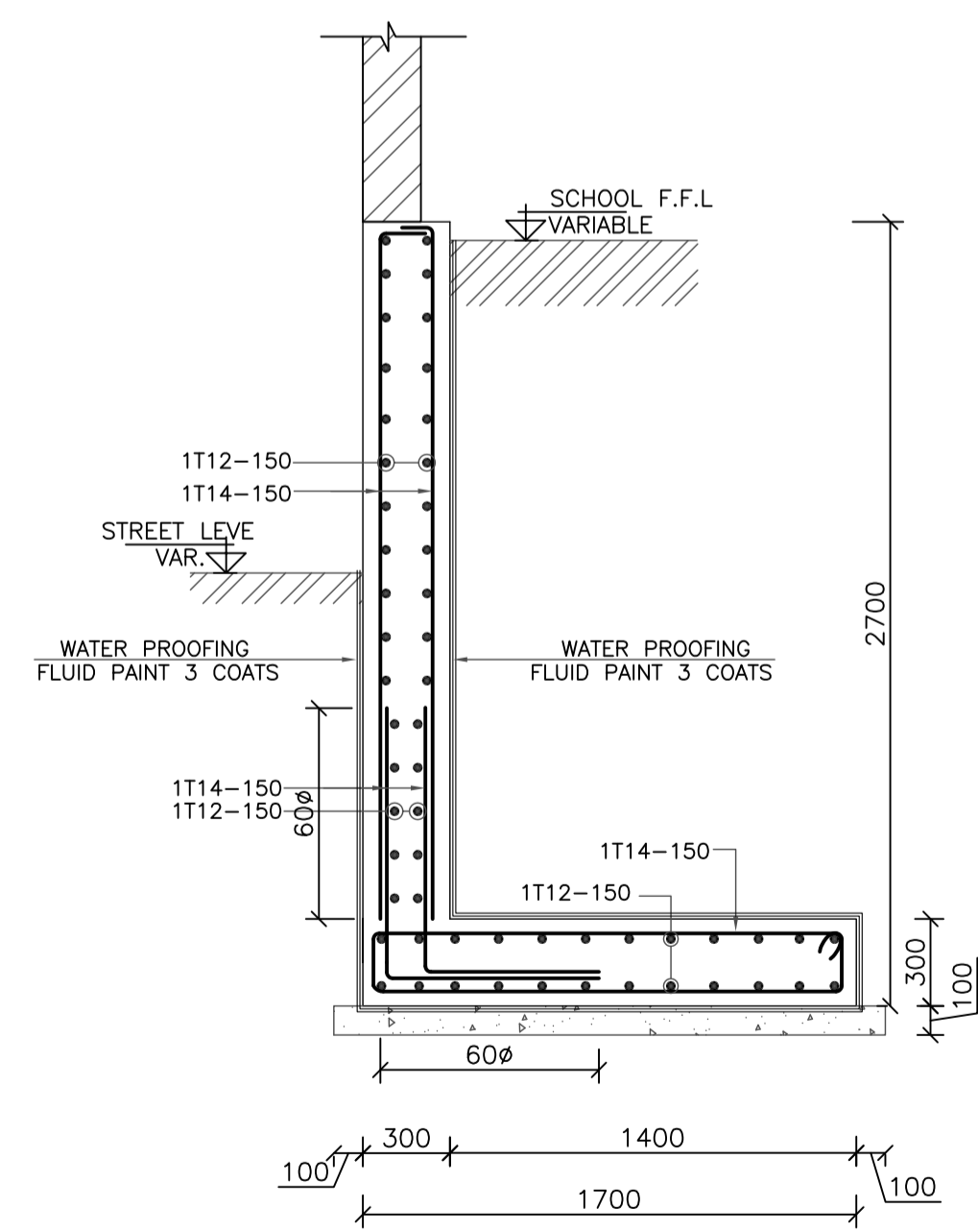
SECTION 3
1:25



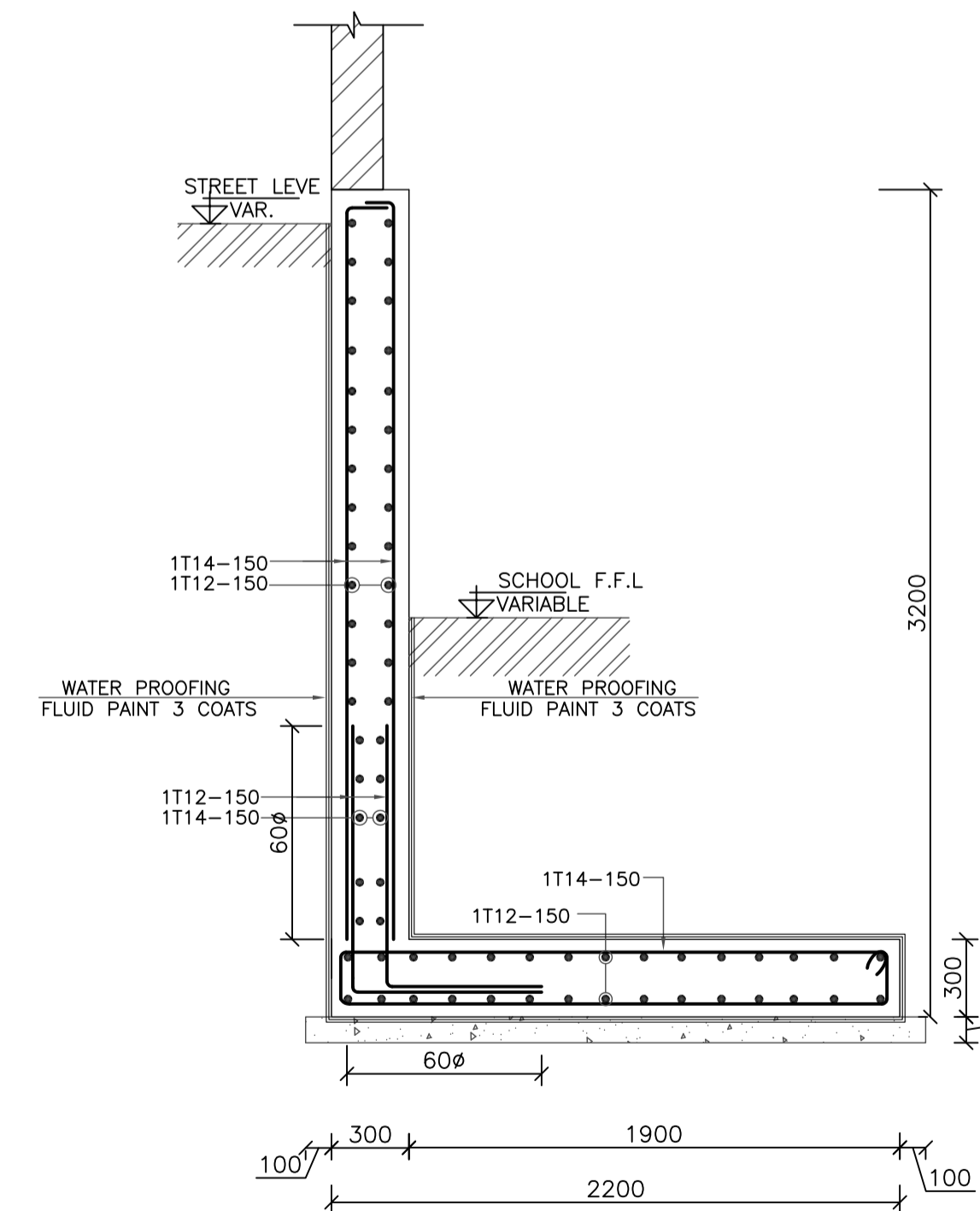
SECTION 4
1:25



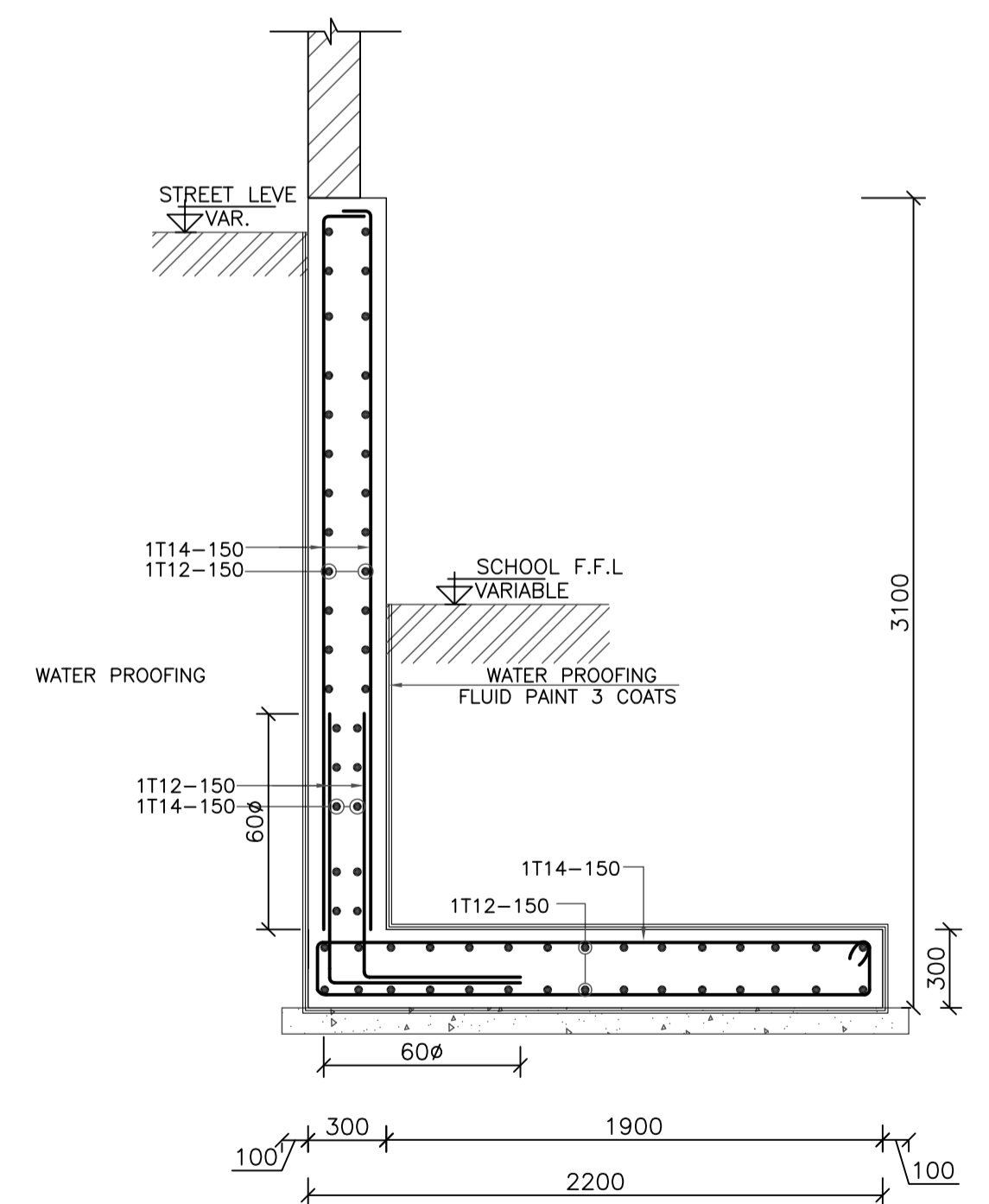
SECTION 5
1:25



SECTION 6
1:25



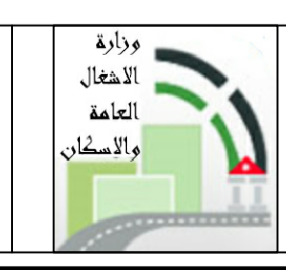
SECTION 7
1:25



SECTION 8
1:25

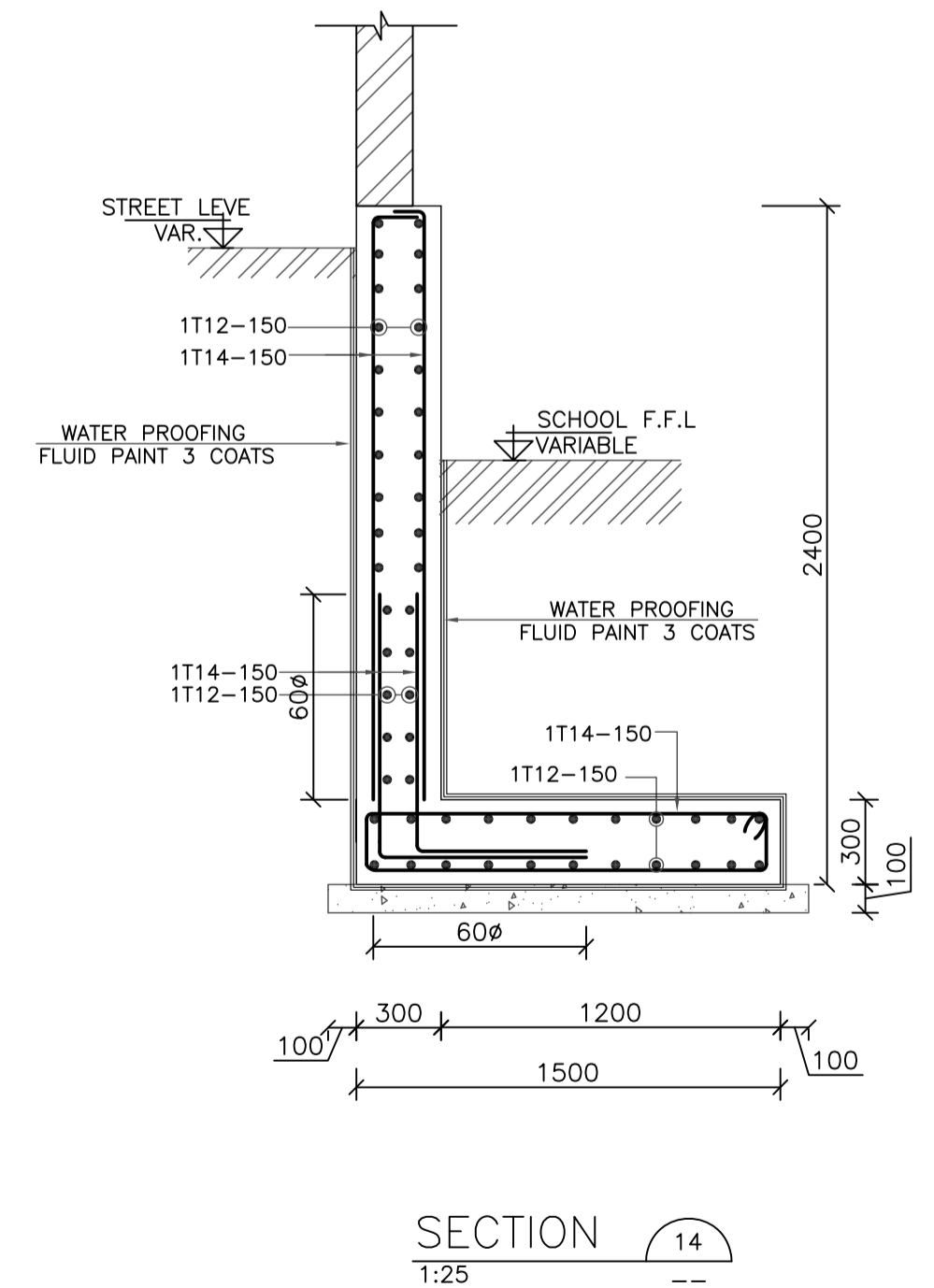
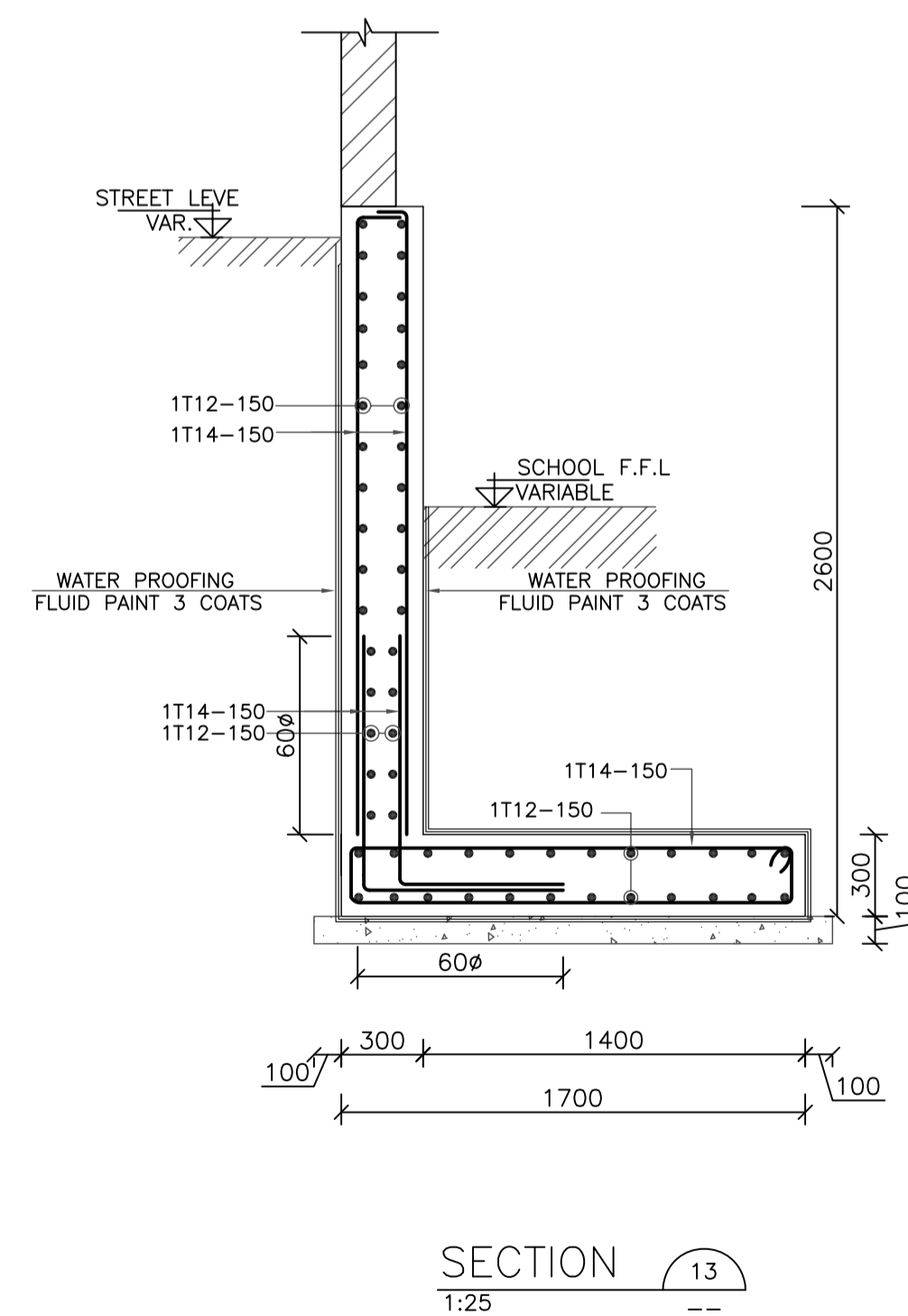
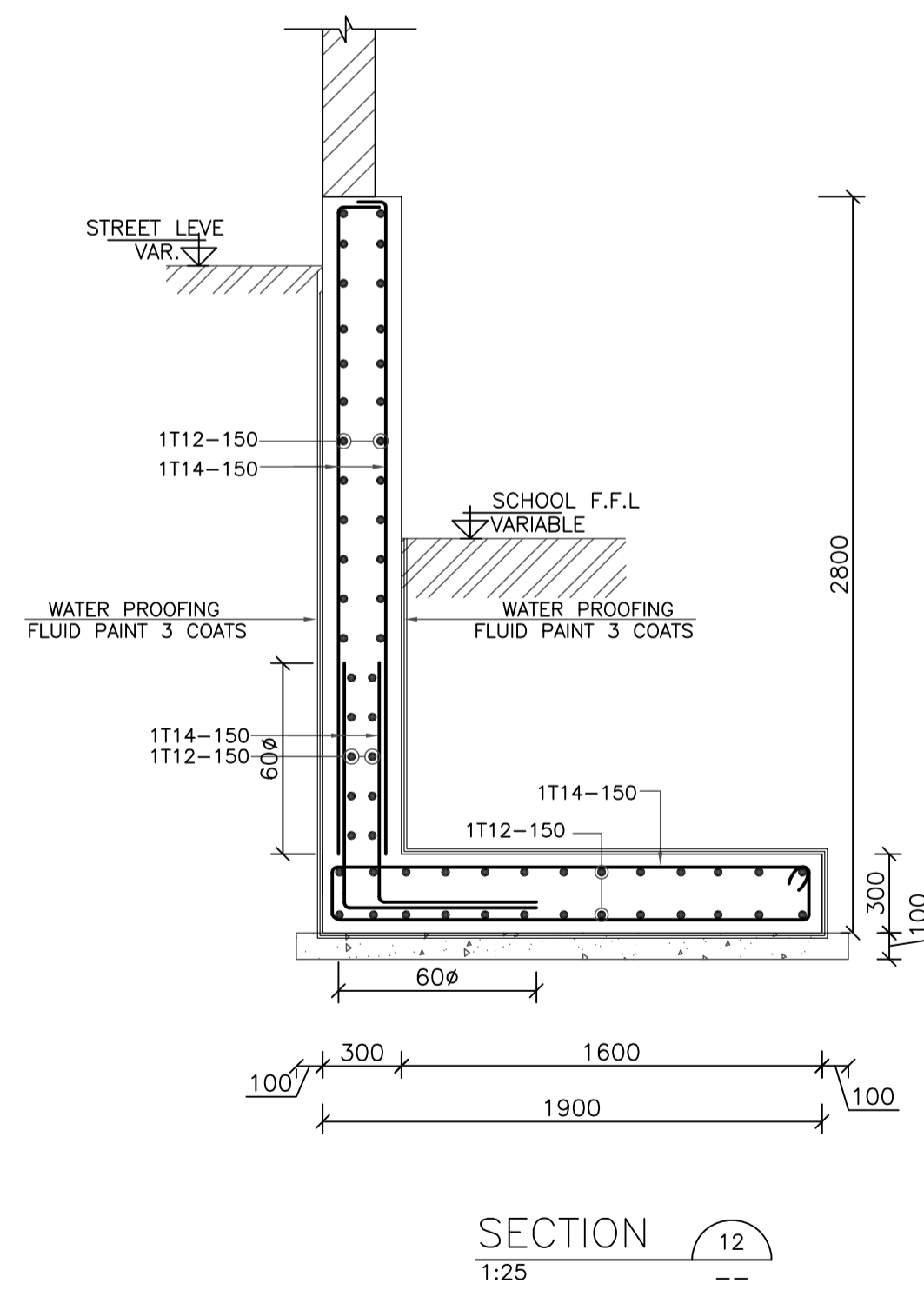
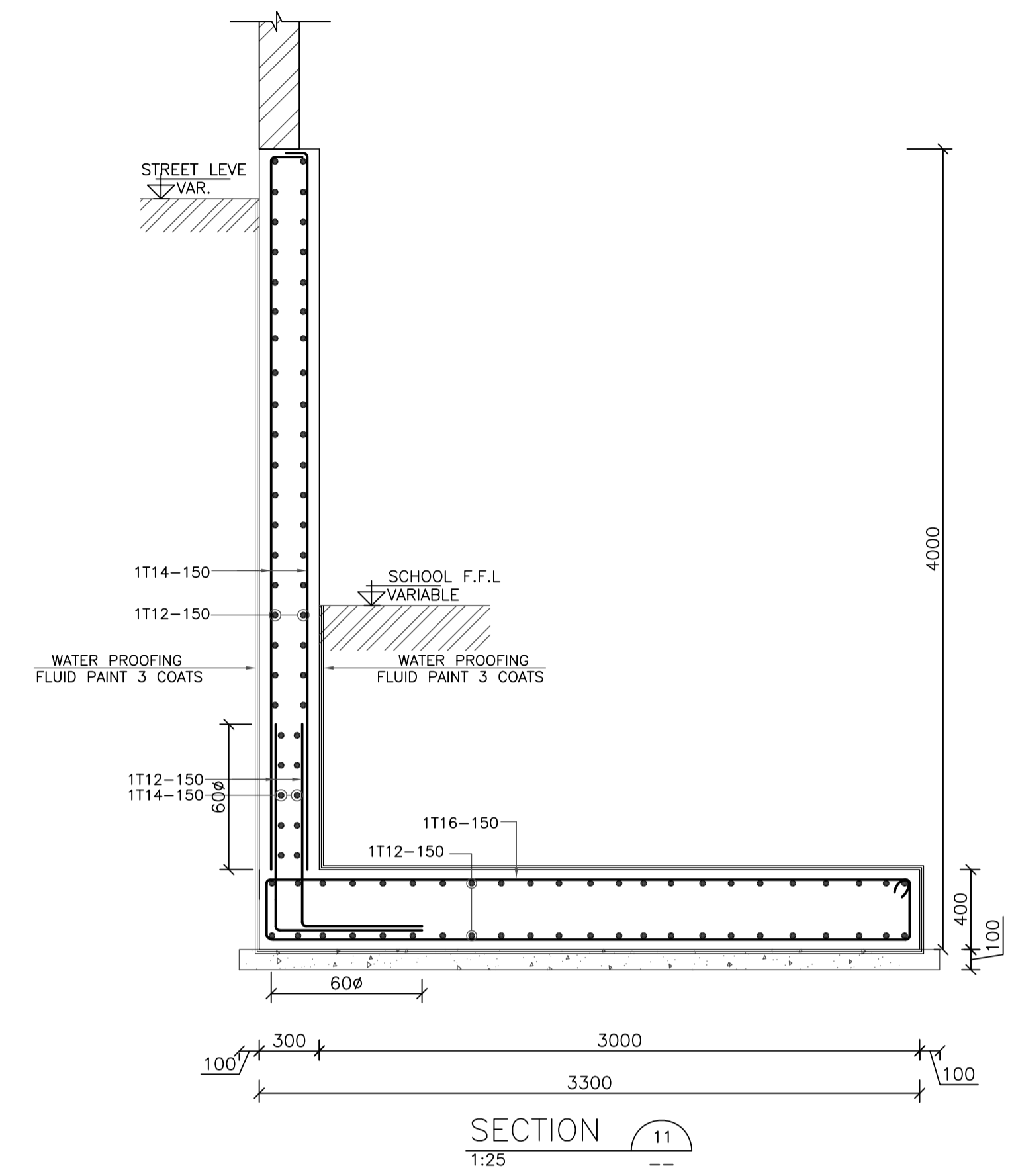
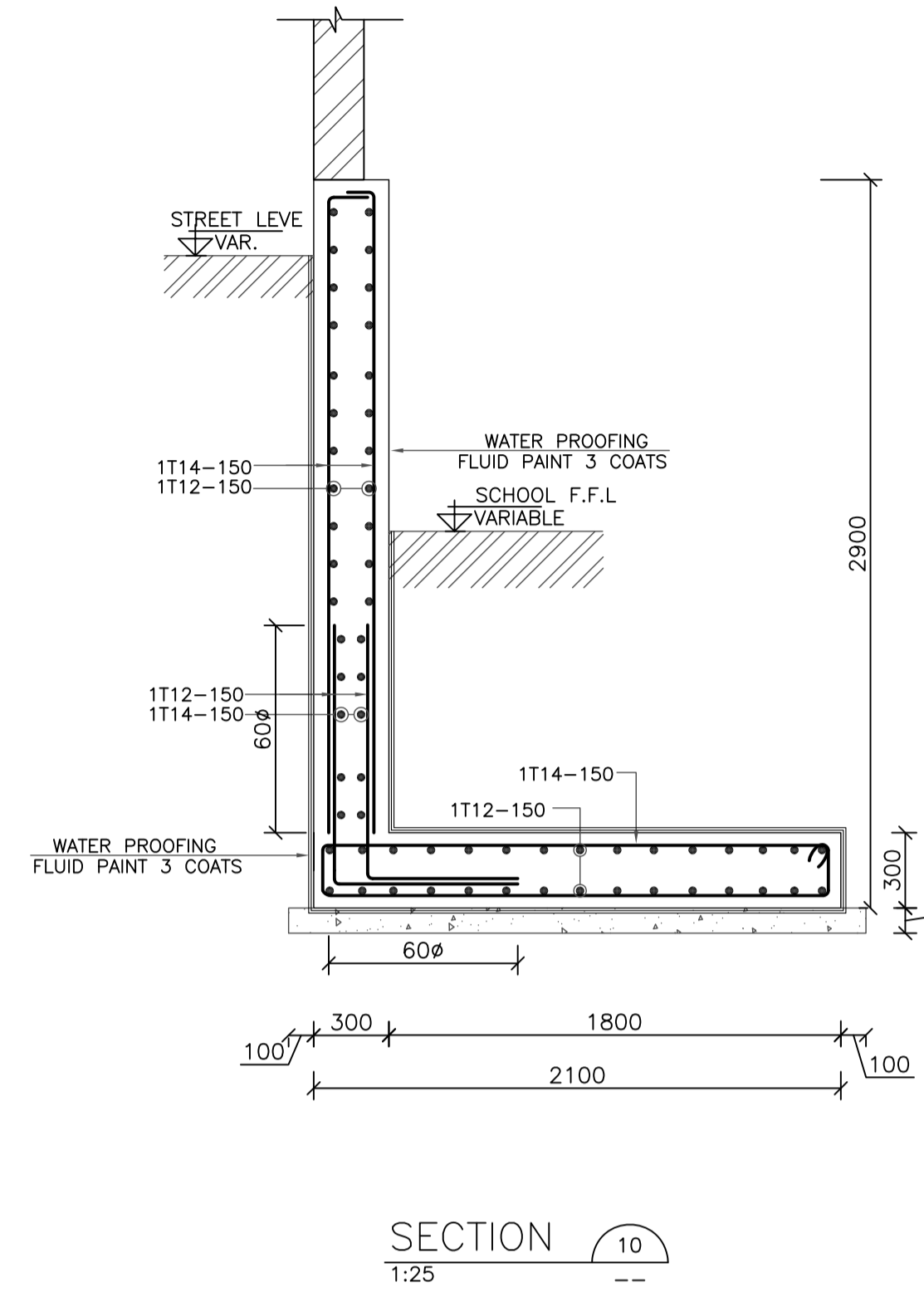
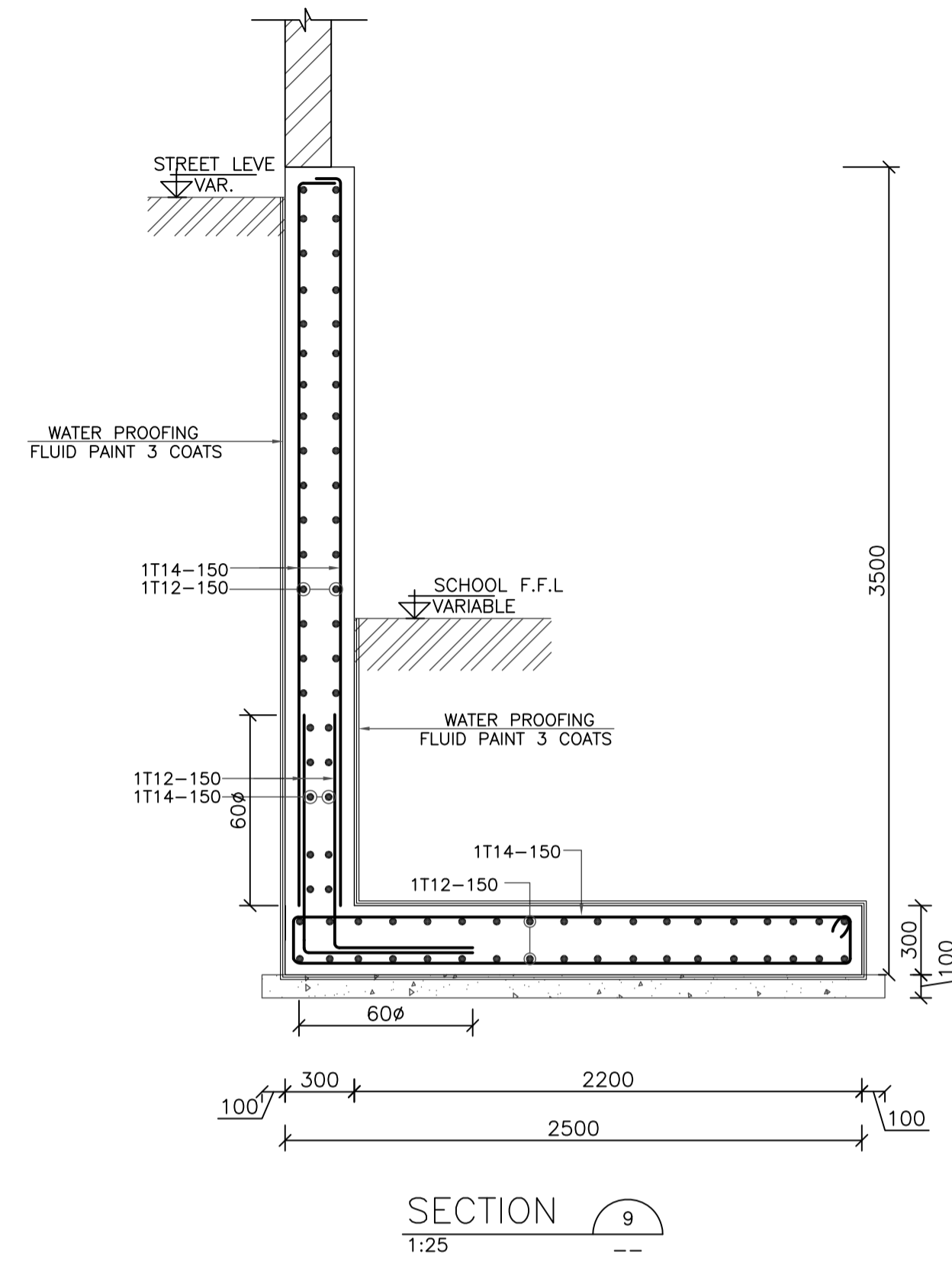
REV.	DATE	REMARKS
0	JUNE 2020	VOL. IV - TENDER DRAWINGS

NOTES:
-FOR WEeping HOLES DETAILS REFER TO DRAWING SG-001



PHASE III	UM AL DANANIR BASIC MIXED (AMMAN)
PACKAGE 1	SCHOOLS FOR A KNOWLEDGE ECONOMY PROJECT (USAID SKEP)

DRAWING NAME: BOUNDARY WALLS SECTIONS -1-		Design: A.KH.	Drawn: CAD	Checked: R.K	North: ↑
PLOT No: 568		LOCATION: UM AL DANANIR	BASIN NO: 002-ALQESHANEYEH	Date: JUNE 2020	Approved:
SCALE: 1/25		DRAWING NUMBER: SKEP 13-SD-606		Rev.:	0



NOTES:
-FOR WEeping HOLES DETAILS REFER TO DRAWING SG-001



PHASE III
PACKAGE 1

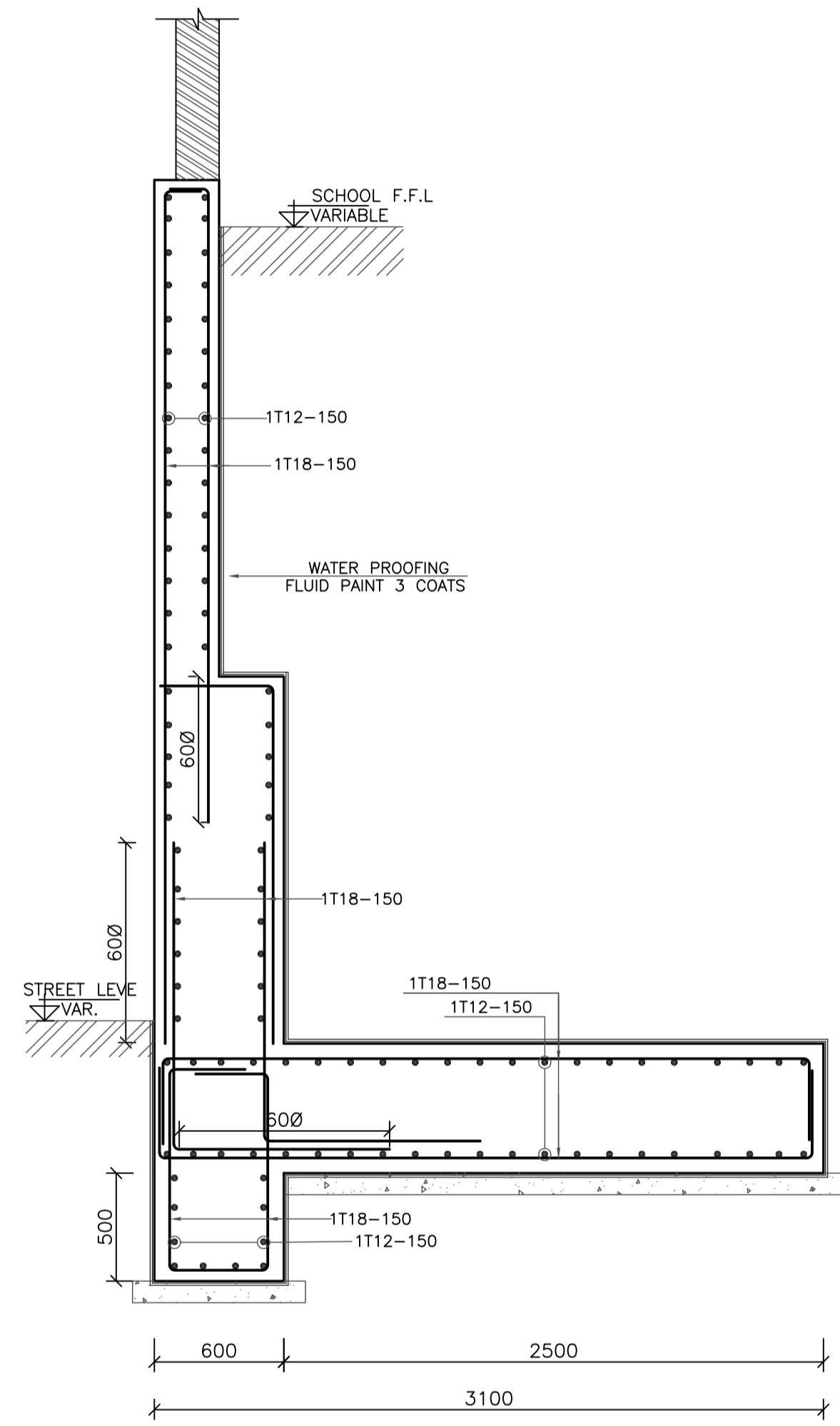
UM AL DANANIR BASIC MIXED (AMMAN)
SCHOOLS FOR A KNOWLEDGE ECONOMY PROJECT (USAID SKEP)

DRAWING NAME:
BOUNDARY WALLS SECTIONS -2-

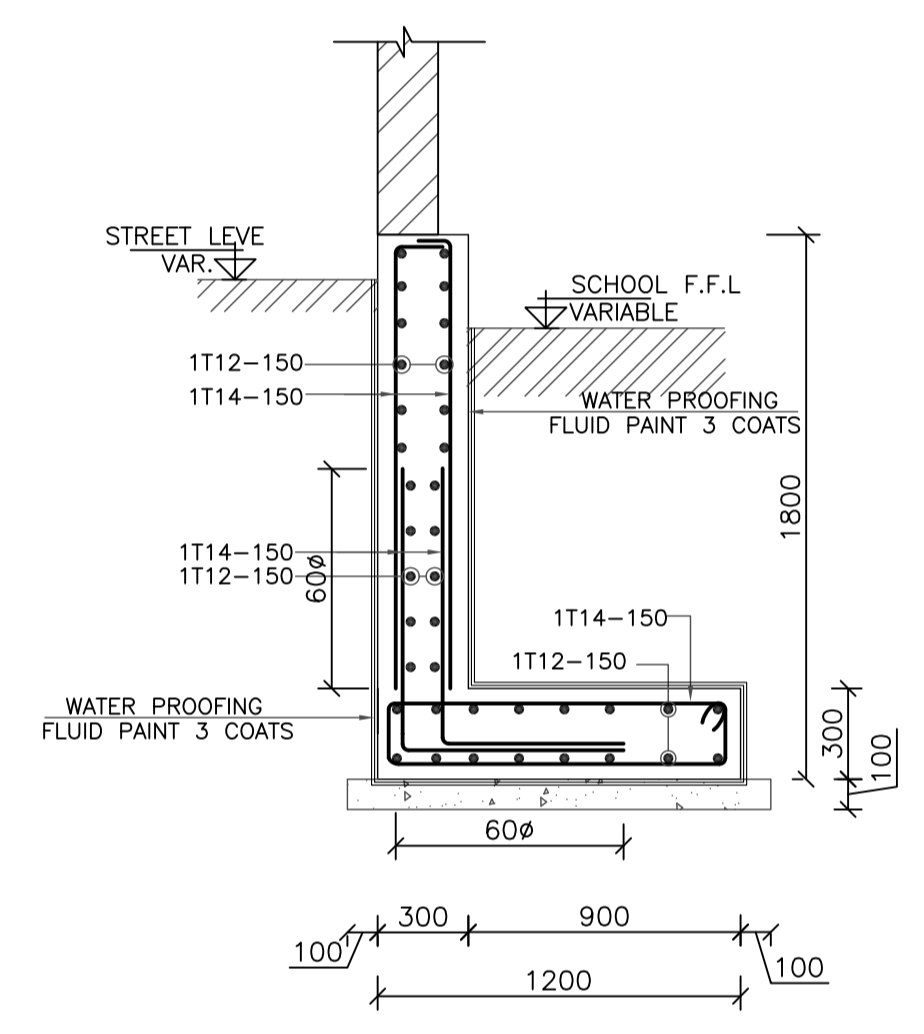
DESIGN: A.KH.
SCALE: 1/25
DATE: JUNE 2020
DRAWING NUMBER: SKEP 13-SD-607

Drawn: CAD
Checked: R.K.
Approved:
Rev.: 0

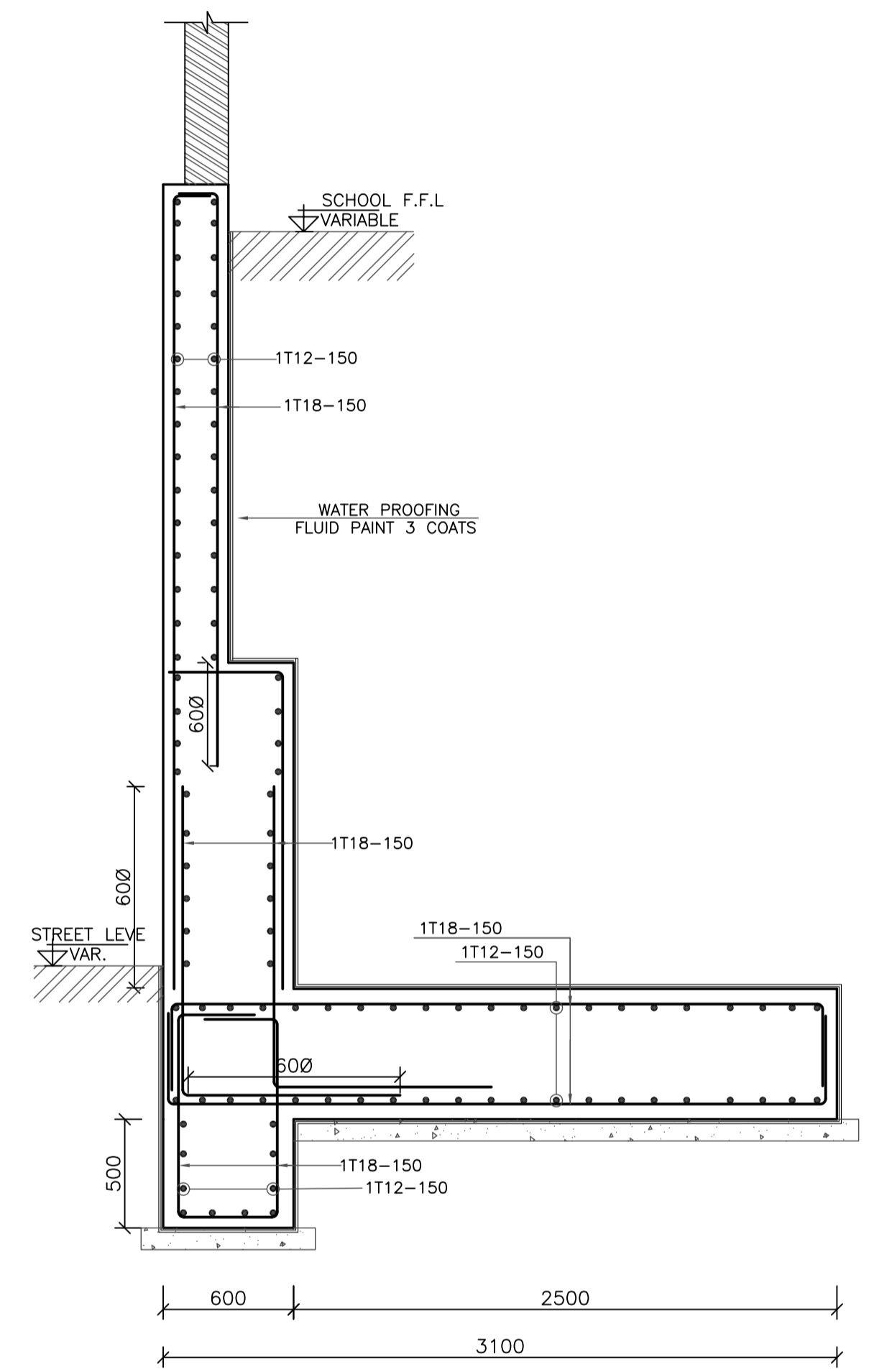
REV.	DATE	REMARKS
0	JUNE 2020	VOL. IV - TENDER DRAWINGS



SECTION 15
1:25



SECTION 16
1:25



SECTION 17
1:25

NOTES:
- FOR WEEPING HOLES DETAILS REFER TO DRAWING SG-001

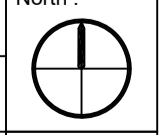


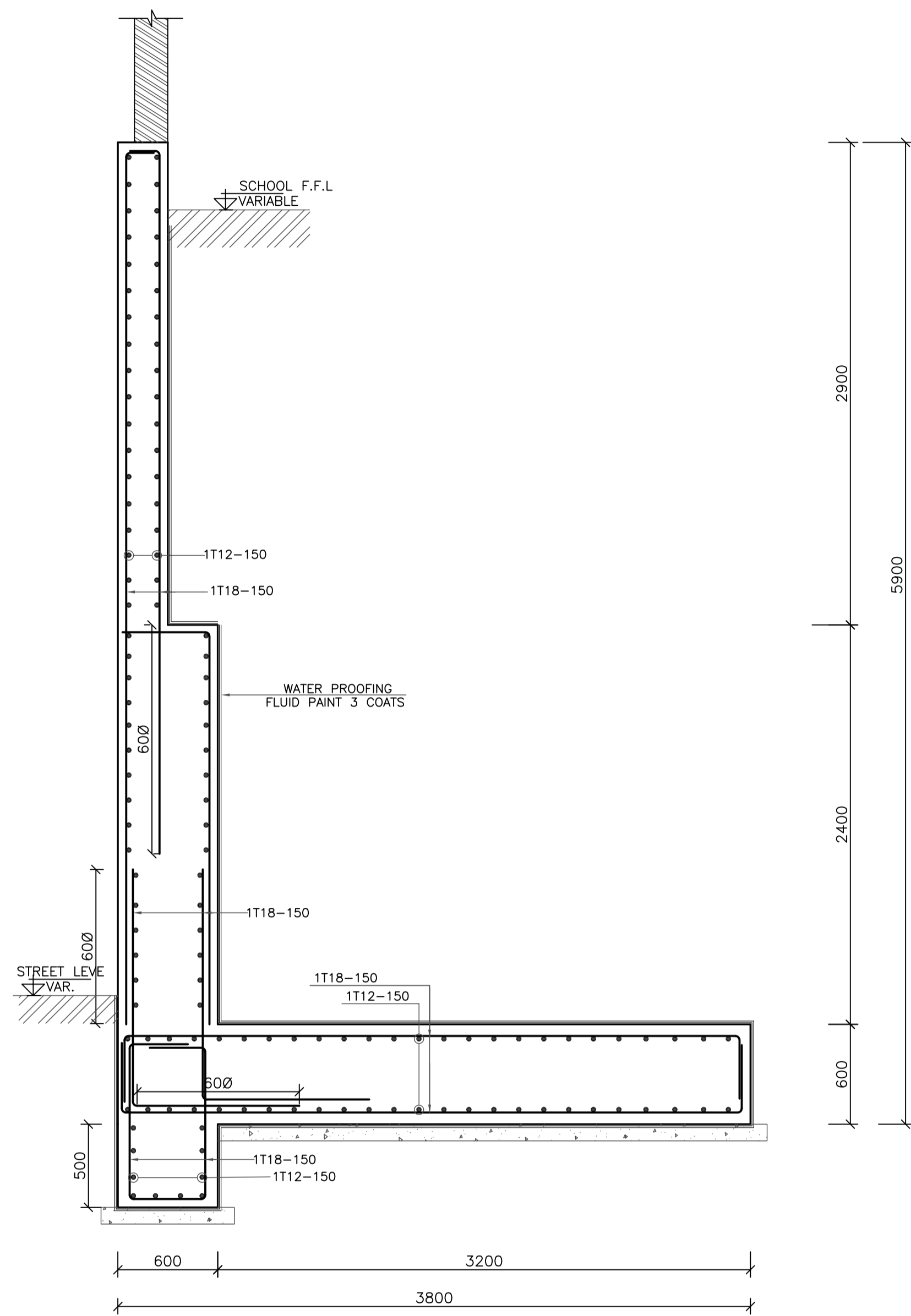
PHASE III
PACKAGE 1
UM AL DANANIR BASIC MIXED (AMMAN)
SCHOOLS FOR A KNOWLEDGE ECONOMY PROJECT (USAID SKEP)

DRAWING NAME:
BOUNDARY WALLS SECTIONS -3-
PLOT No 568
LOCATION UM AL DANANIR
BASIN NO 002-ALQESHANEYEH

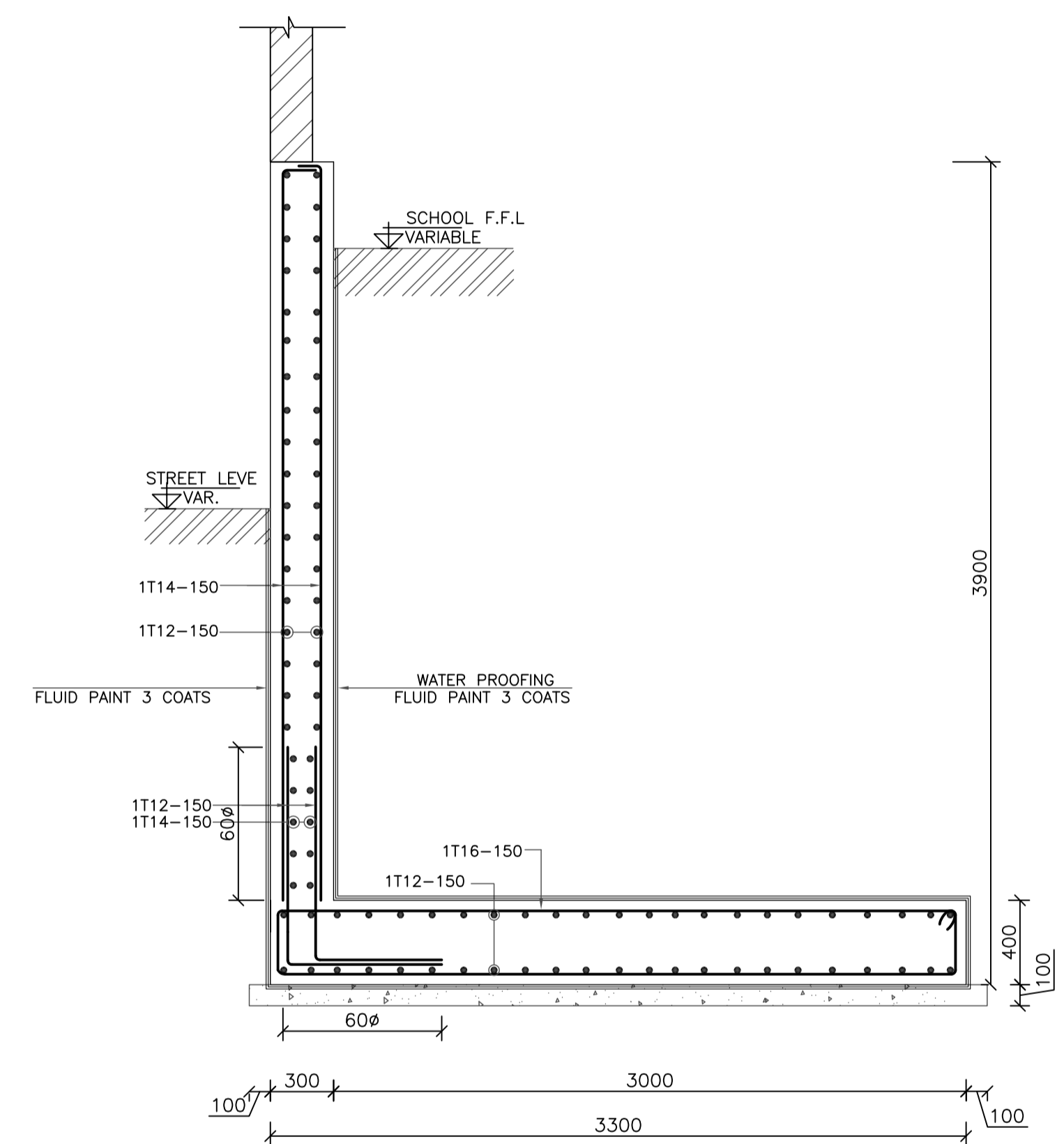
Design: A.KH.
SCALE: 1/25
Date: JUNE 2020
DRAWING NUMBER: SKEP 13-SD-608

Drawn: CAD
Checked: R.K
Approved:
Rev.: 0

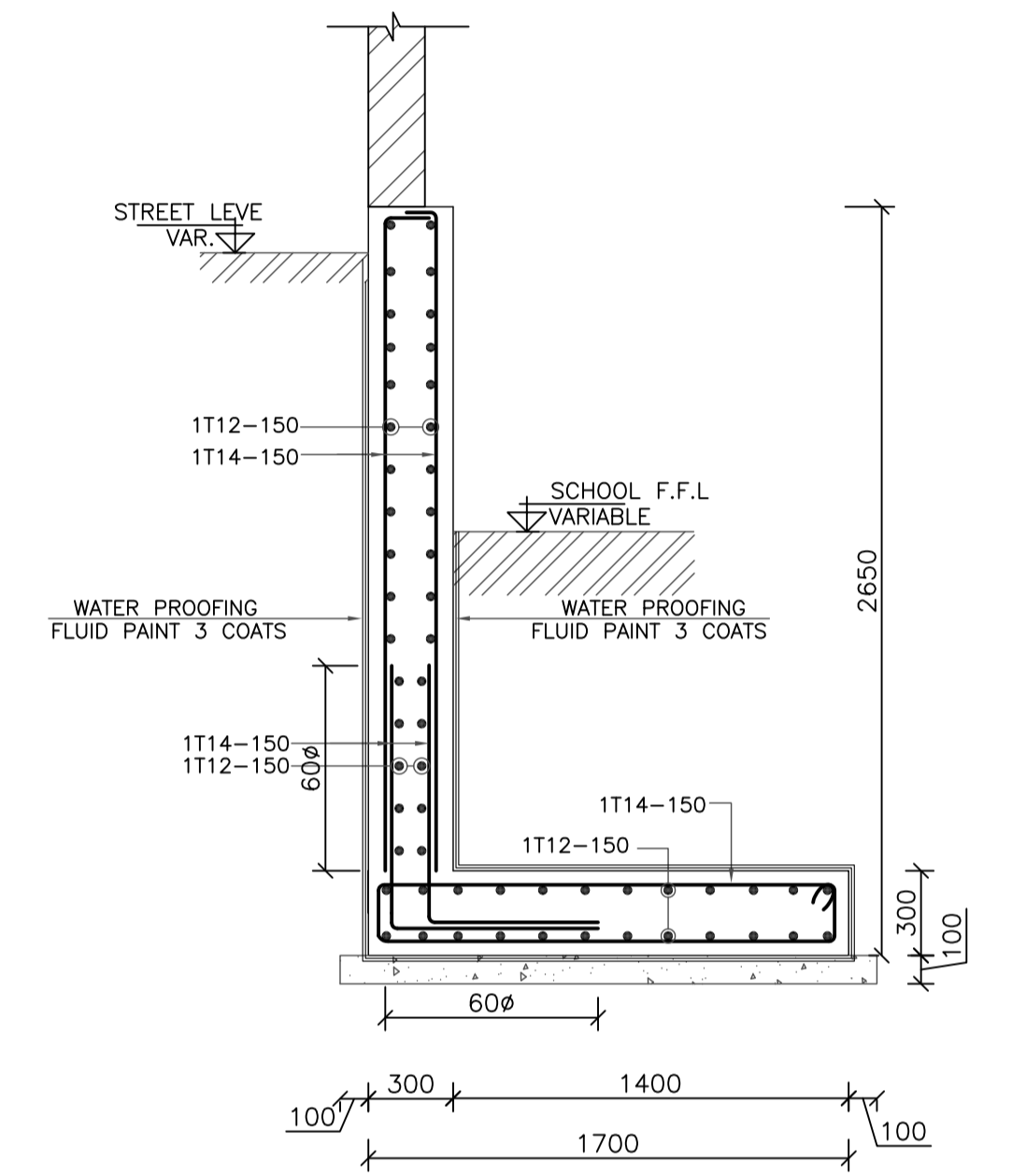




SECTION 18
1:25



SECTION 19
1:25



SECTION 20
1:25

REV.	DATE	REMARKS
0	JUNE 2020	VOL. IV - TENDER DRAWINGS

NOTES:
FOR WEeping HOLES DETAILS REFER TO DRAWING SG-001

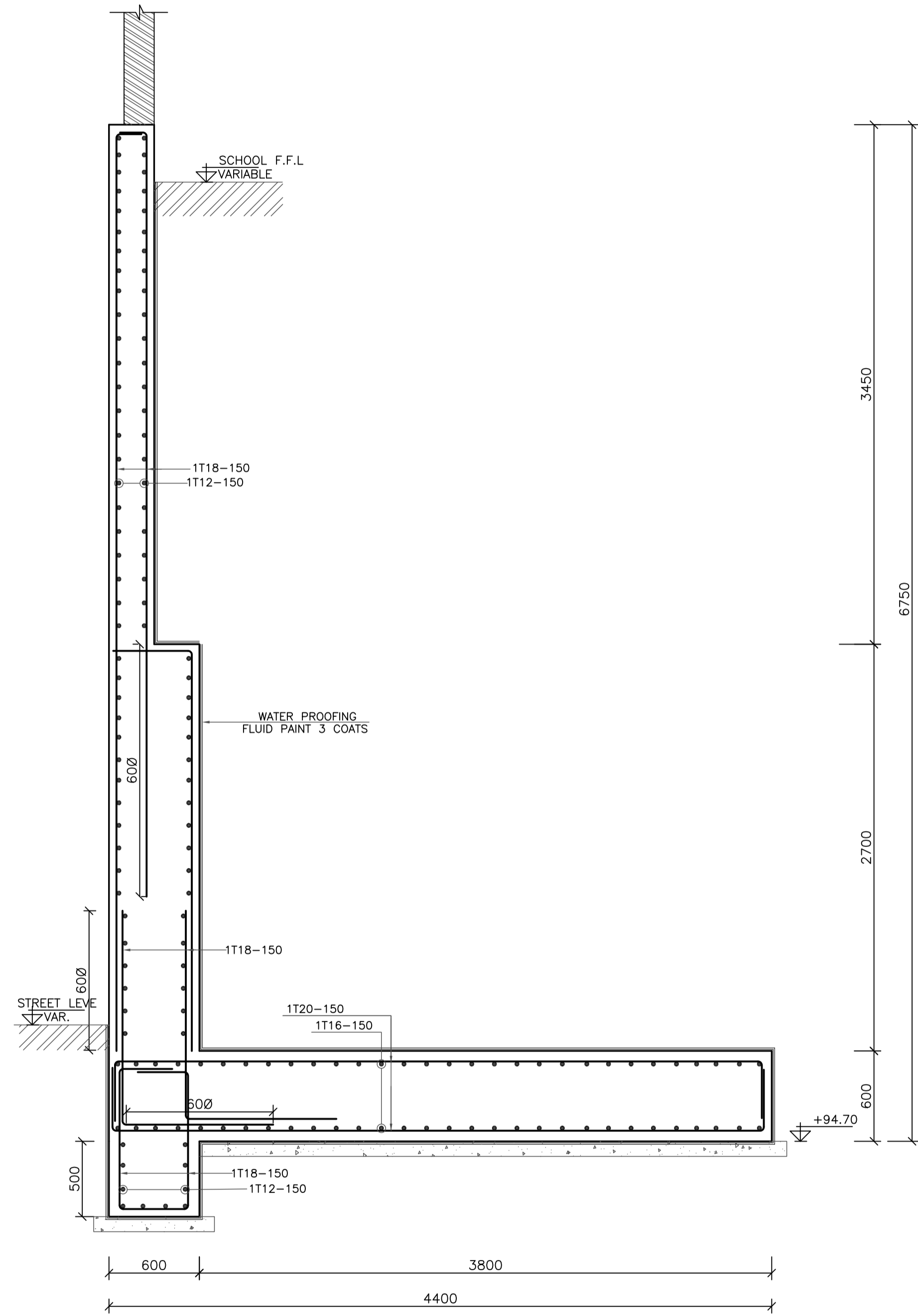


PHASE III
PACKAGE 1
UM AL DANANIR BASIC MIXED (AMMAN)
SCHOOLS FOR A KNOWLEDGE ECONOMY PROJECT (USAID SKEP)

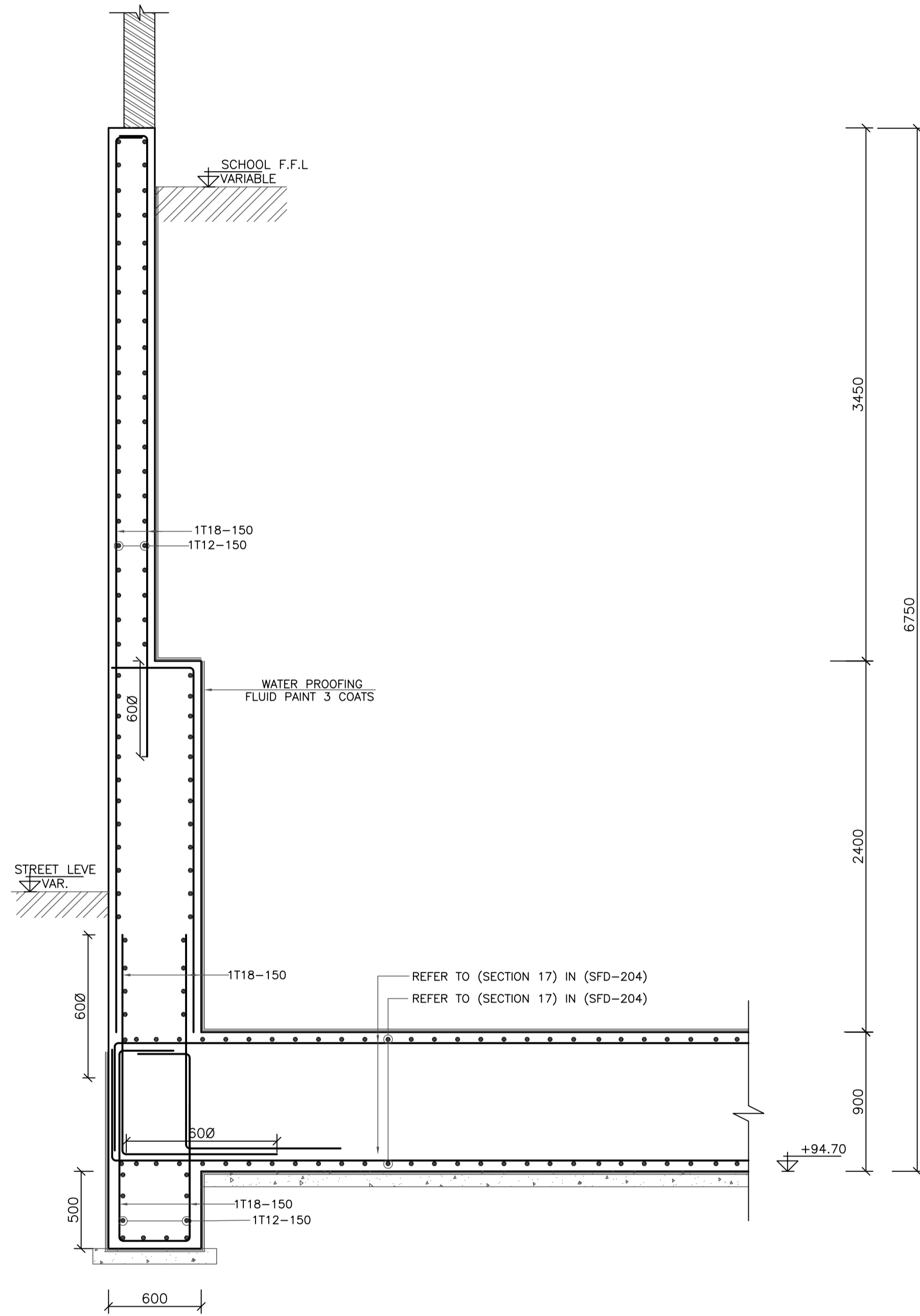
DRAWING NAME:
BOUNDARY WALLS SECTIONS -4-
PLOT No 568
LOCATION UM AL DANANIR
BASIN NO 002-ALQESHANEYEH

Design: A.KH.
SCALE: 1/25
Date: JUNE 2020
DRAWING NUMBER: SKEP 13-SD-609

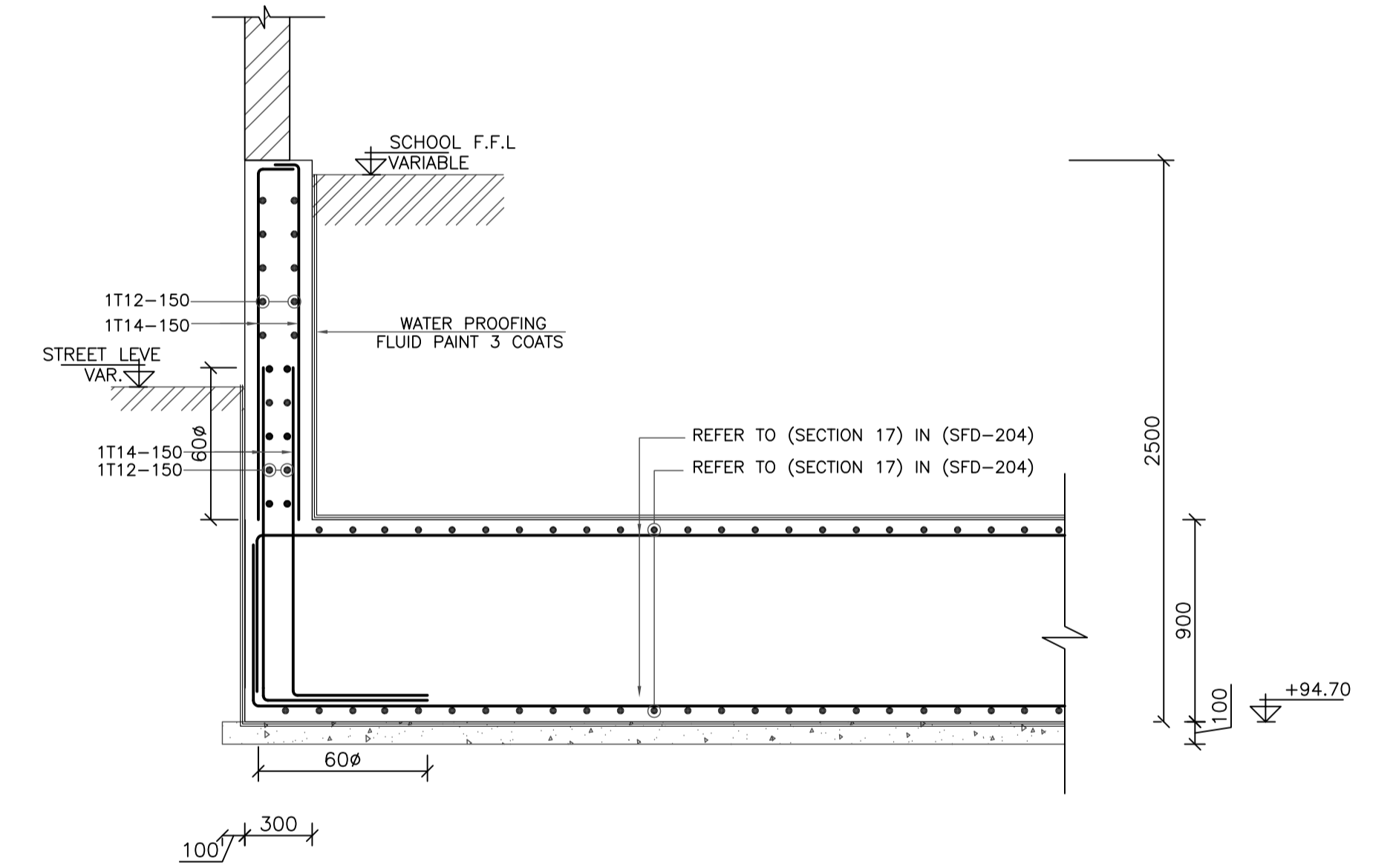
Drawn: CAD
Checked: R.K
Approved:
Rev.: 0



SECTION 21
1:25



SECTION 22
1:25



SECTION 23
1:25

REV.	DATE	REMARKS
0	JUNE 2020	VOL. IV - TENDER DRAWINGS

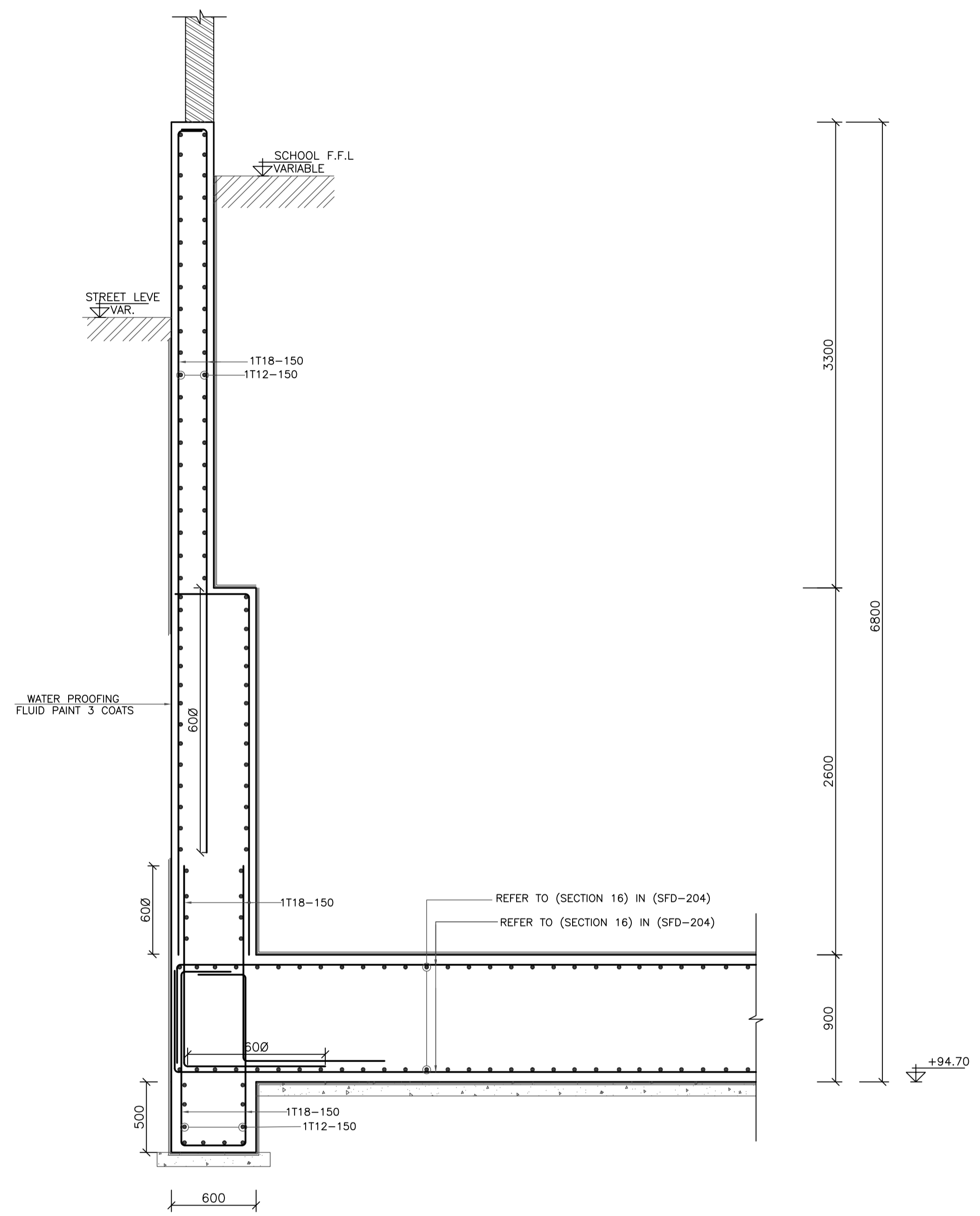
NOTES:
-FOR WEEPING HOLES DETAILS REFER TO DRAWING SG-001



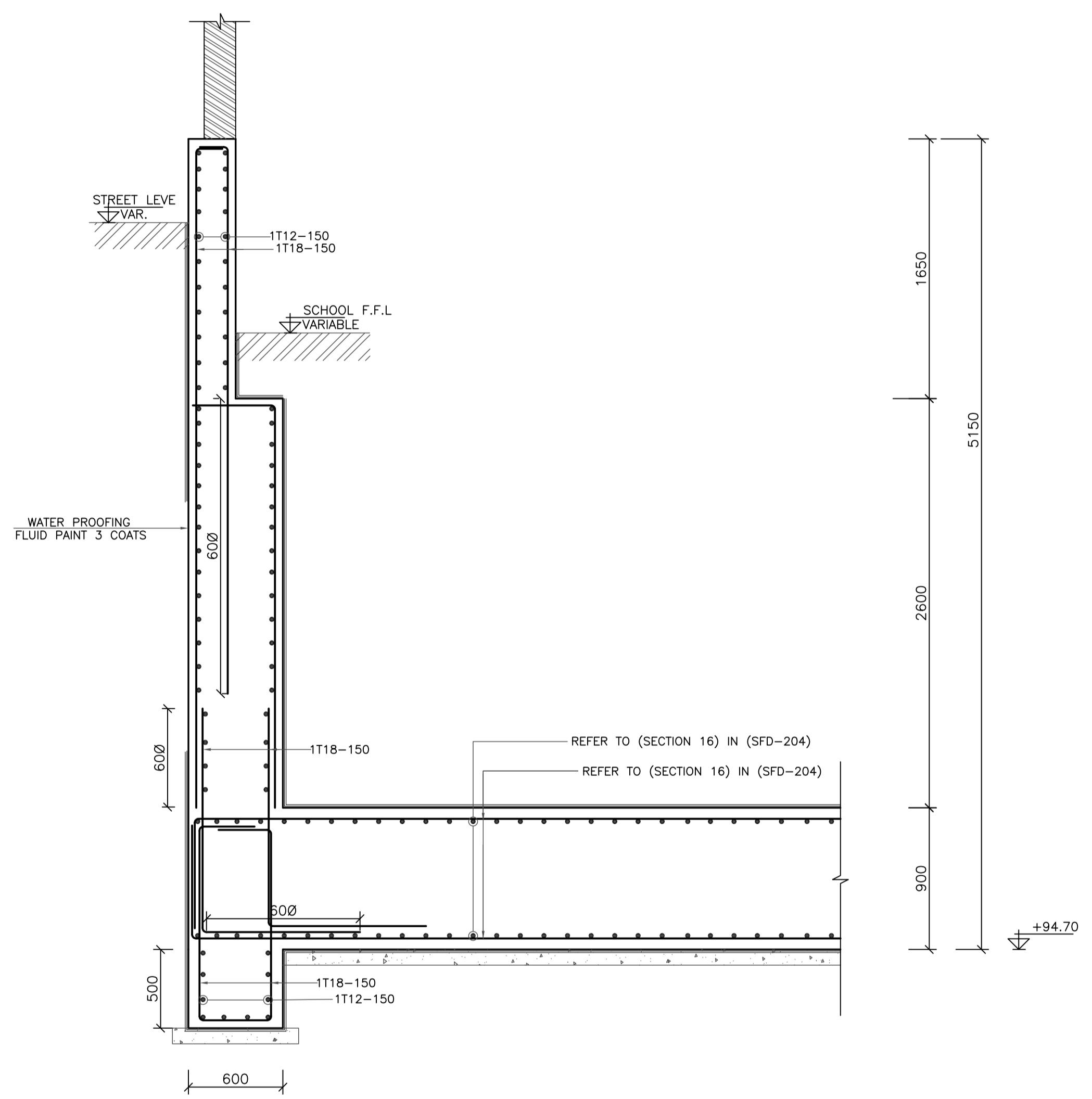
PHASE III
PACKAGE 1
UM AL DANANIR BASIC MIXED (AMMAN)
SCHOOLS FOR A KNOWLEDGE ECONOMY PROJECT (USAID SKEP)

DRAWING NAME: BOUNDARY WALLS SECTIONS -5-		
DESIGN: A.KH.	DRAWN: CAD	CHECKED: R.K
SCALE: 1/25		
DATE: JUNE 2020		
PLOT No 568	LOCATION UM AL DANANIR	BASIN NO 002-ALQESHANEYEH

DRAWING NUMBER: SKEP 13-SD-610	Rev.: 0
-----------------------------------	------------



SECTION 24
1:25



SECTION 25
1:25

REV.	DATE	REMARKS
0	JUNE 2020	VOL. IV - TENDER DRAWINGS

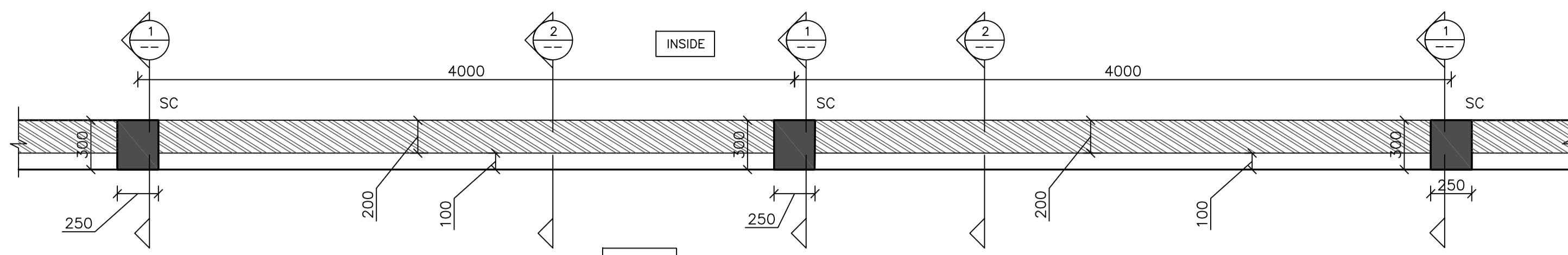
NOTES:
-FOR WEEPING HOLES DETAILS REFER TO DRAWING SG-001



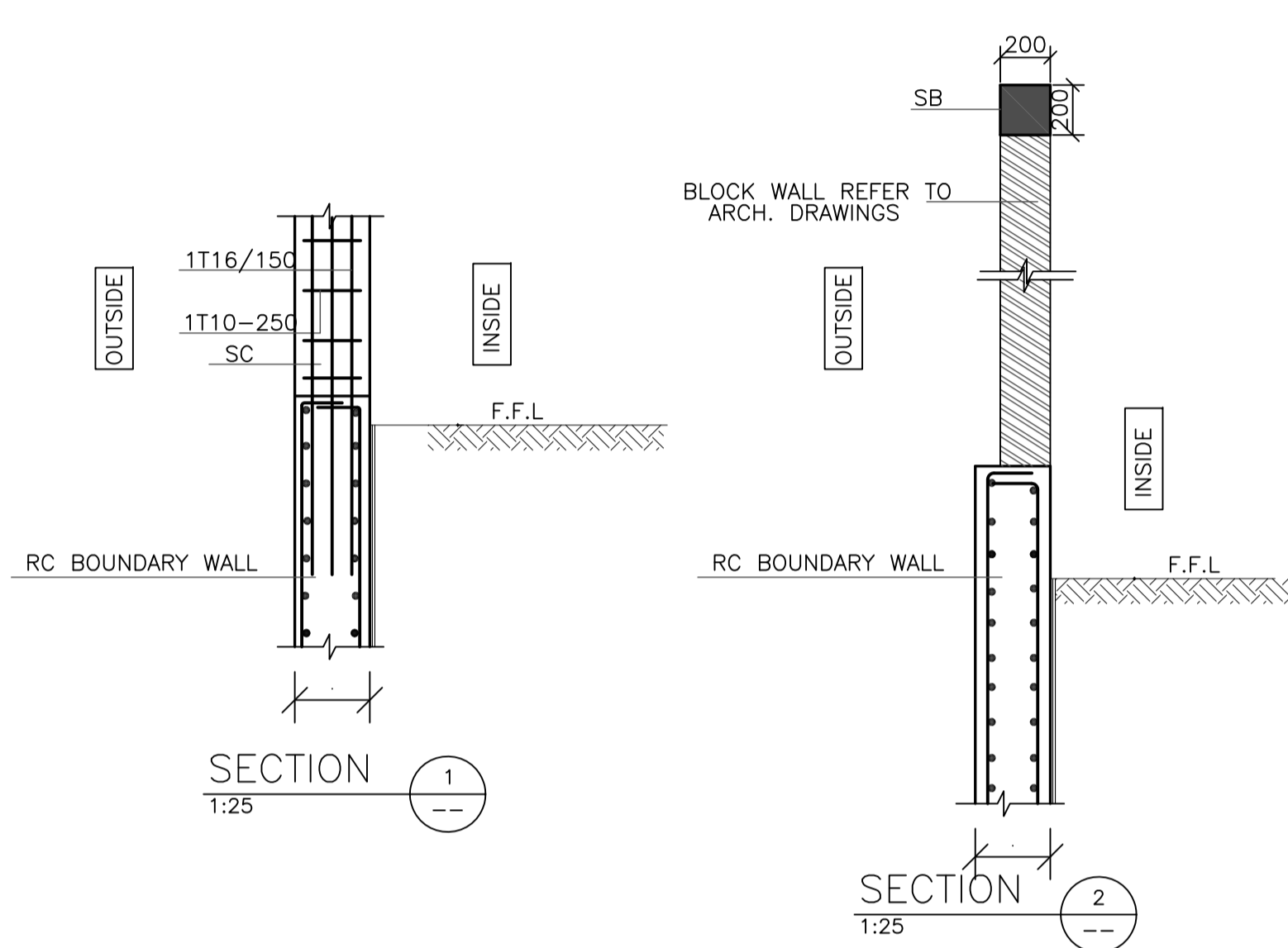
PHASE III
PACKAGE 1
UM AL DANANIR BASIC MIXED (AMMAN)
SCHOOLS FOR A KNOWLEDGE ECONOMY PROJECT (USAID SKEP)

DRAWING NAME: BOUNDARY WALLS SECTIONS -6-		
DESIGN: A.KH.	DRAWN: CAD	CHECKED: R.K
SCALE: 1/25		
DATE: JUNE 2020		
PLOT No: 568	LOCATION: UM AL DANANIR	BASIN NO: 002-ALQESHANEYEH

DRAWING NUMBER: SKEP 13-SD-611		Rev.: 0
-----------------------------------	--	------------

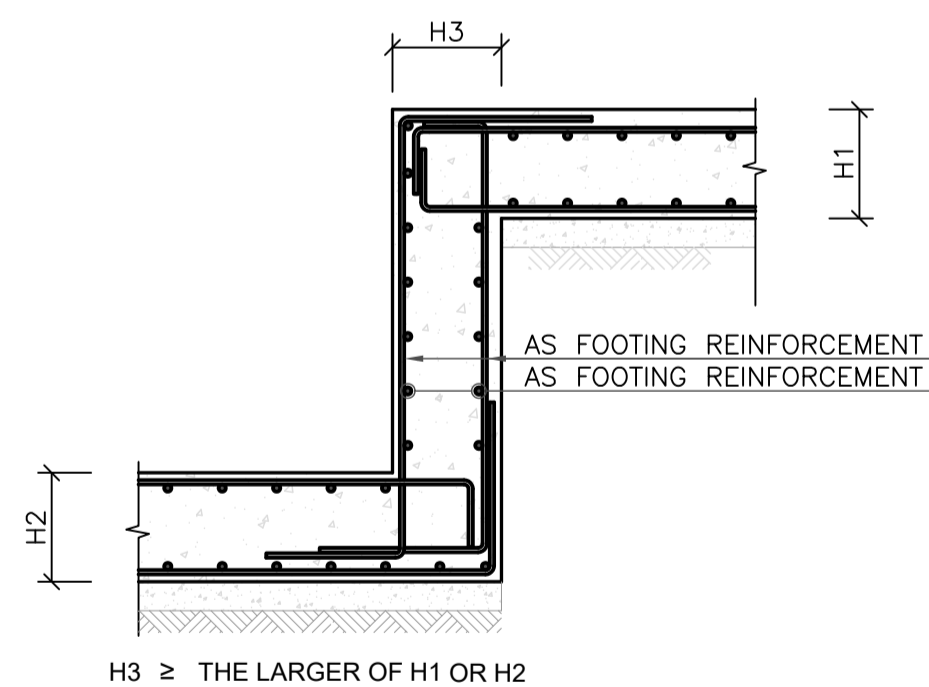


TOP OF BOUNDARY WALL
1:25

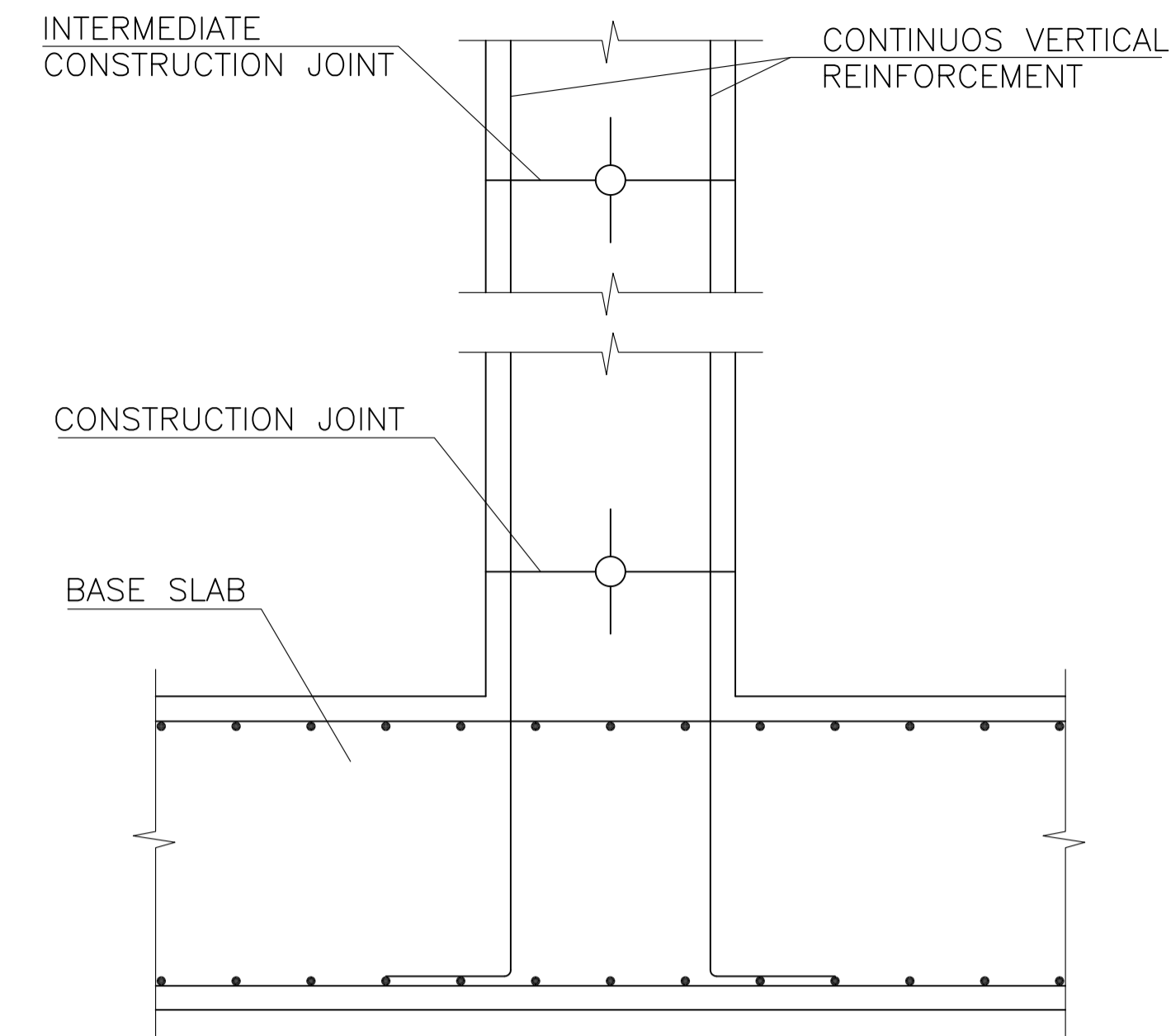


STIFFENER COLUMN (SC) ABOVE R.C WALL
BETWEEN BLOCK WALLS
1:25

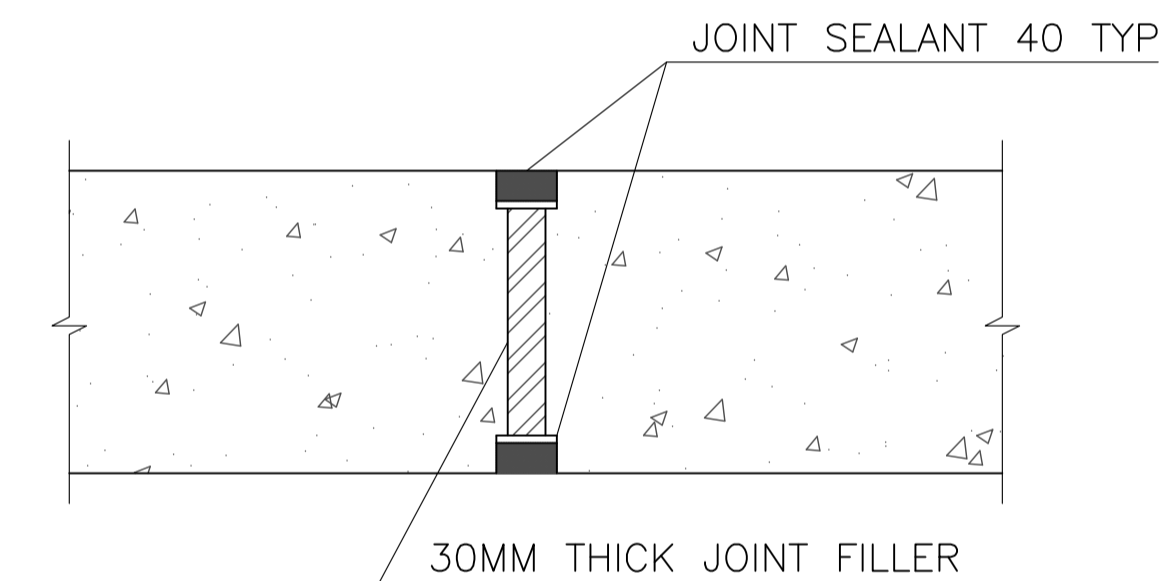
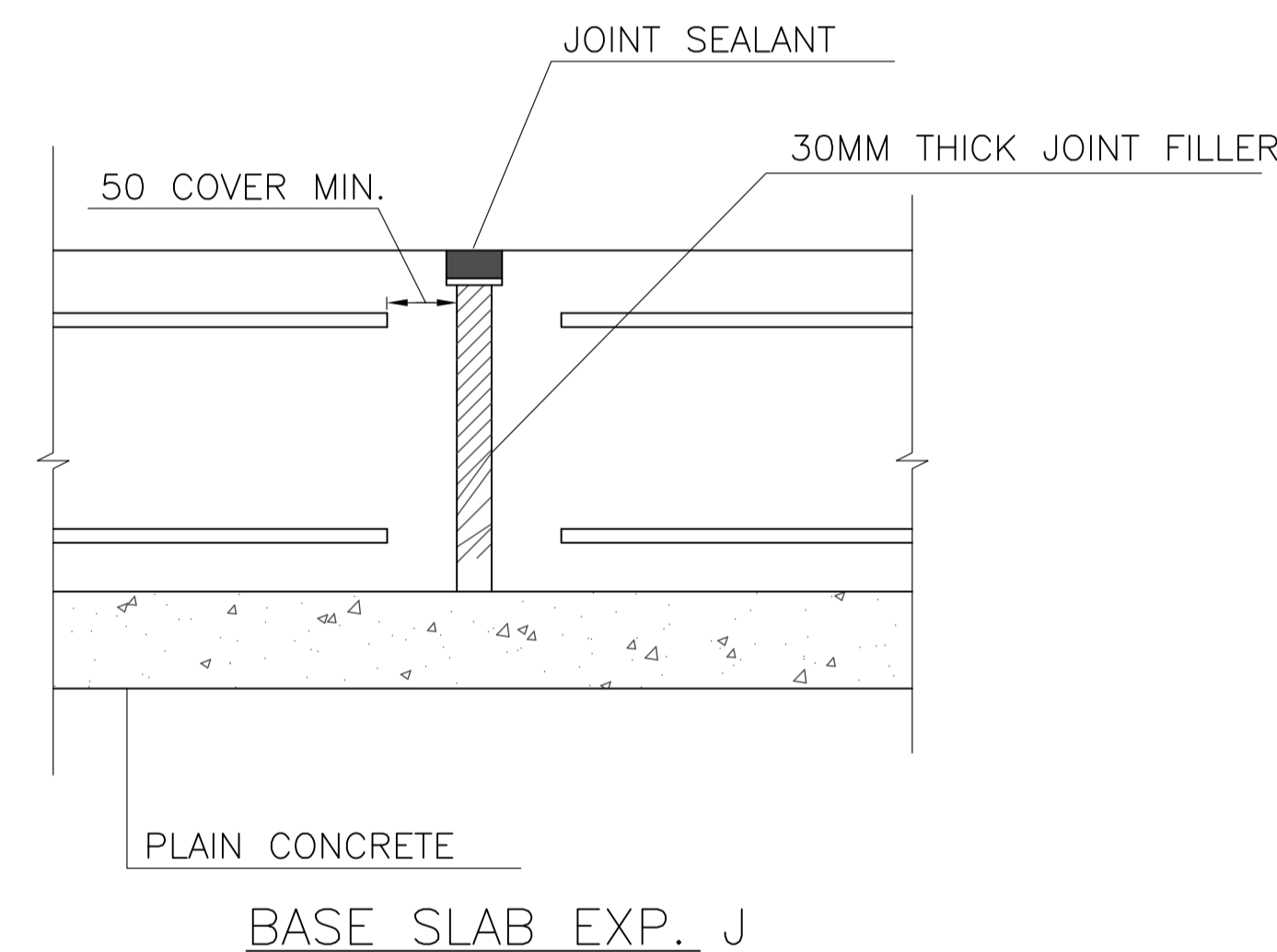
STIFFENER BEAM (SB) ABOVE BLOCK WALL
BETWEEN STIFFENER COLUMNS
1:25



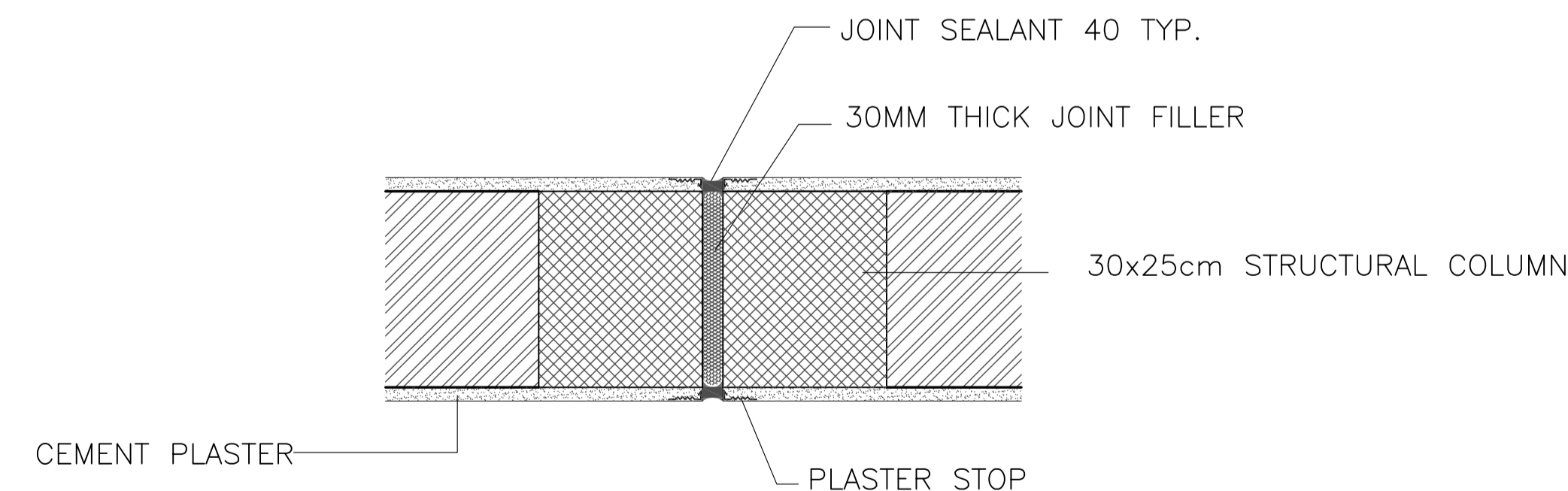
STEPPED FOUNDATION TYPICAL DETAIL
N.T.S



WALLS CONSTRUCTION JOINT



WALL EXP. J



EXP. JOINT BETWEEN COLUMNS
ABOVE RETAINING WALL

REV.	DATE	REMARKS
0	JUNE 2020	VOL. IV - TENDER DRAWINGS

NOTES:



PHASE III	UM AL DANANIR BASIC MIXED (AMMAN)
PACKAGE 1	SCHOOLS FOR A KNOWLEDGE ECONOMY PROJECT (USAID SKEP)

DRAWING NAME: BOUNDARY WALLS GENERAL STRUCTURAL DETAILS	
Design: A.KH.	Drawn: CAD
SCALE: 1/25	Date: JUNE 2020
DRAWING NUMBER: SKEP 13-SD-612	

Checked: R.K.	North:
Approved:	Rev.: 0