

CODE OF PRACTICE

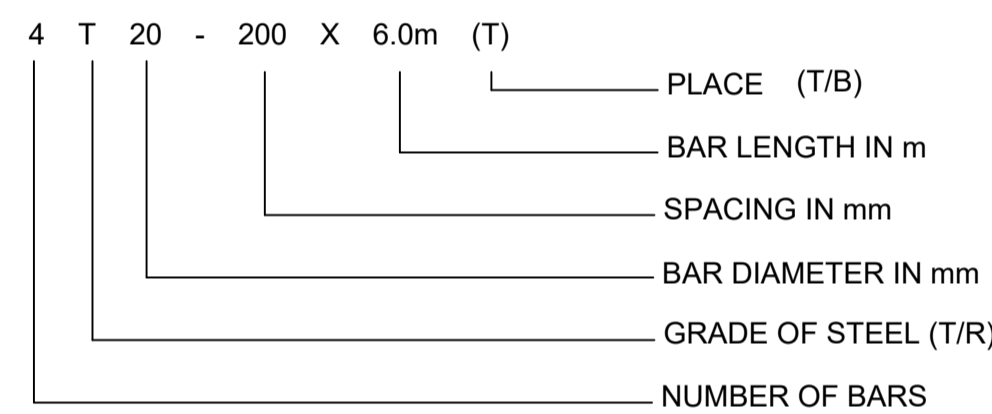
Design, detailing and workmanship shall be according to the Jordanian Code for Plain and Reinforced Concrete JBC5-93 and ACI codes.

DRAWINGS

- Structural drawings shall be read in conjunction with Architectural, Mechanical and Electrical drawings.
- Sleeves and openings smaller than 200X200 mm are not shown on the Structural drawings. For required openings refer to Architectural, Mechanical and Electrical drawings.
- Contractor shall prepare working drawings and bar bending schedules for reinforcement in a format agreed with the engineer.
- Drawings are not necessarily to scale.
- Chamfers for fair faced concrete are not shown on Structural Drawings. Reference should be made to Architectural details for such purpose.

NOTATION

T	TOP BARS
B	BOTTOM BARS
BOF	BOTTOM LEVEL OF FOOTING
T.O.F	TOP LEVEL OF FOOTING
EF	EACH FACE
EW	EACH WAY
S	STIRRUPS
T	HIGH YIELD BARS
R	MILD STEEL BARS
S.S	SOLID SLAB
S.O.G	SLAB ON GRADE
S.S.L	TOP LEVEL OF STRUCTURAL SLAB
EXP. J.	EXPANSION JOINT
C1	COLUMN NUMBER 1
B1	BEAM NUMBER 1
F1	FOOTING NUMBER 1
NTS	NOT TO SCALE
TYP	TYPICAL
T&B	TOP AND BOTTOM



EARTHQUAKE RESISTANCE

Earthquake Resistance Design is in accordance with Jordanian seismic code Zone (3). Lateral Stability is provided by Shear Walls and Shear Cores. Importance factor I=(1) and soil Profile is (Sc) as given in the soil report.

DEAD LOADS AND MATERIAL OWN WEIGHTS

REINFORCED CONCRETE	24 kN /m ³
STRUCTURAL STEEL	78.5 kN /m ³
CONCRETE BLOCK	16.5 kN /m ³
SATURATED SOIL	20 kN /m ³
CERAMIC TILE	0.80 kN /m ²

LIVE LOADS

According to Jordanian Code of Loads and Forces,2006. Live loads for educational building.

LOCATION	UNIFORMLY DISTRIBUTED LOAD
ROOF SLABS	2.0 kN/m ²
GROUND SLABS	4.0 kN/m ²
FLOOR SLABS	4.0 kN/m ²
BATHROOM SOLID SLABS	4.0 kN/m ²
PUMPING ROOM SLABS	5.0 kN/m ²
INLET	4.0 kN/m ²
OUTLET	4.0 kN/m ²
AUDITORIUM SLABS	5.0 kN/m ²
STAIRS	4.0 kN/m ²
STORAGE ROOMS	5.0 kN/m ²

COVER

Clear concrete cover to reinforcement shall be:

- 70 mm for concrete in contact with soil or blinding.
- 50 mm for concrete surface in contact with water.
- 40 mm for external basement walls.
- 40 mm for concrete columns and beams.
- 25 mm for concrete slabs, stairs and walls.

REINFORCED CONCRETE

Compressive strength of concrete, f_{cu} , as defined by a standard 150mm cube at 28 days shall be:

- 30 MPa : for slabs,beams & foundations,retaining walls (in site), and site structures
- 35 MPa: for columns, shear walls, basement walls of building & water tank.
- 20 MPa: for slabs on grade & Cyclopean and Mass concrete.
- 15 MPa: for blinding.

Cement content shall be determined by design mix to approved: by the consultant and shall not be less than:

- 15 MPa : 220kg/m³
- 20 MPa : 275kg/m³
- 30 MPa : 300kg/m³
- 35 MPa : 325kg/m³

Water-Cement ratio shall be not more than:

- 15 MPa : 1.0
- 20 MPa : 0.75
- 30 MPa : 0.60
- 35 MPa : .55

Cement:

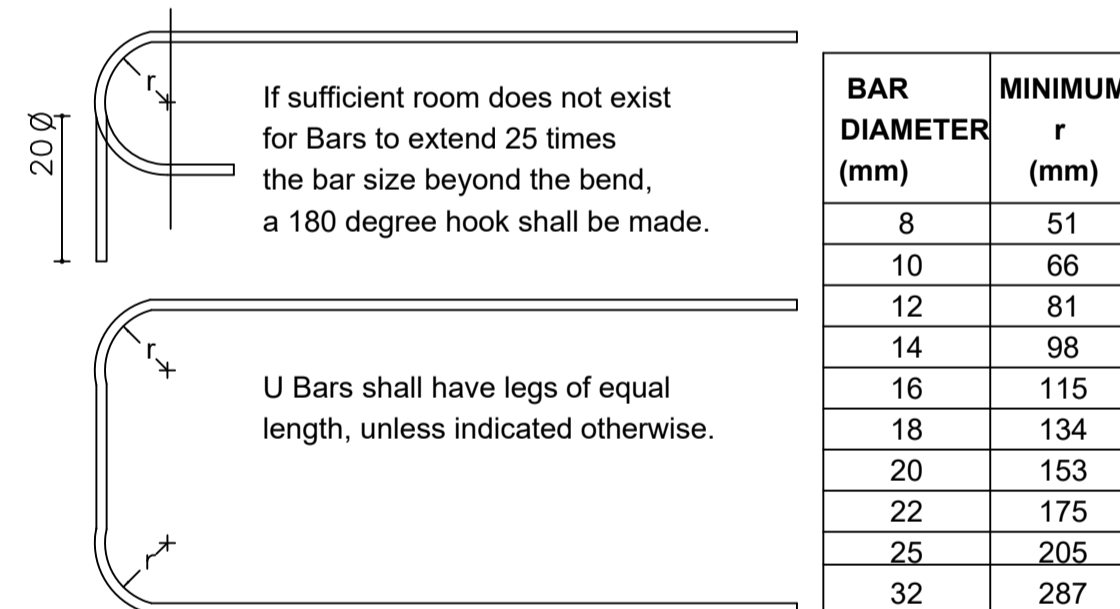
Ordinary portland cement shall be used for reinforced and unreinforced concrete elements.

LINTELS

SCHEDULE OF LINTELS REINFORCEMENT										
LINTEL CLEAR SPAN (m)	b=100mm		b=150mm		b=200mm		b=300mm		DEPTH (mm)	4
	TOP REINF.	BOTTOM REINF.	TOP REINF.	BOTTOM REINF.	TOP REINF.	BOTTOM REINF.	TOP REINF.	BOTTOM REINF.		
< 2.0	1Y10	1Y10	2Y10	2Y10	2Y10	2Y10	3Y10	3Y12	200	
2.0-3.0	1Y10	1Y16	2Y10	2Y16	2Y10	2Y16	3Y10	3Y16	250	
3.0-3.5	1Y10	1Y20	2Y10	2Y20	2Y10	2Y20	3Y12	3Y20	300	
> 3.5	1Y10	1Y20	2Y10	2Y20	2Y10	2Y20	3Y12	3Y20	400	

RADII OF BENDING

Minimum Radius of Bend for Top Bars at Support and U Bars shall be as follows. For other bars, minimum radius of bend shall equal to 2 times bar size for Mild Steel and 3 times bar size for High-yield Steel.



FOUNDATIONS

The footings are designed on bearing capacity equal to 250 kPa; in accordance with Geotechnical Investigation Report No. S17000164 Prepared by the (Arab Center For Engineering Studies) dated: 10th DEC. 2017.

Building foundations shall be within the chalky/dolomitic limestone, but the minimum foundation embedment depth should not be less than 1.0m below the lowest level of ground surrounding the structure.

Systems such as individual footings with tie beams, strip footing and/or raft foundation should never be laid on the existing fill or buried topsoil/ topsoil material.

Contractor shall verify the bearing capacity and the depth of foundation before construction.

If any variation or undesirable conditions are encountered during construction geotechnical company should be notified.

Backfilling in front and behind retaining walls shall be done simultaneously.

Do not backfill against building foundation and retaining walls until restraining slabs and adequate bracing are in place. all backfill shall be placed and compacted in accordance with specifications.

Do not backfill against concrete cantilever retaining walls until concrete has attained its specified 28-day compressive strength f_{cu} .

All backfill shall be placed and compacted in accordance with the specifications.

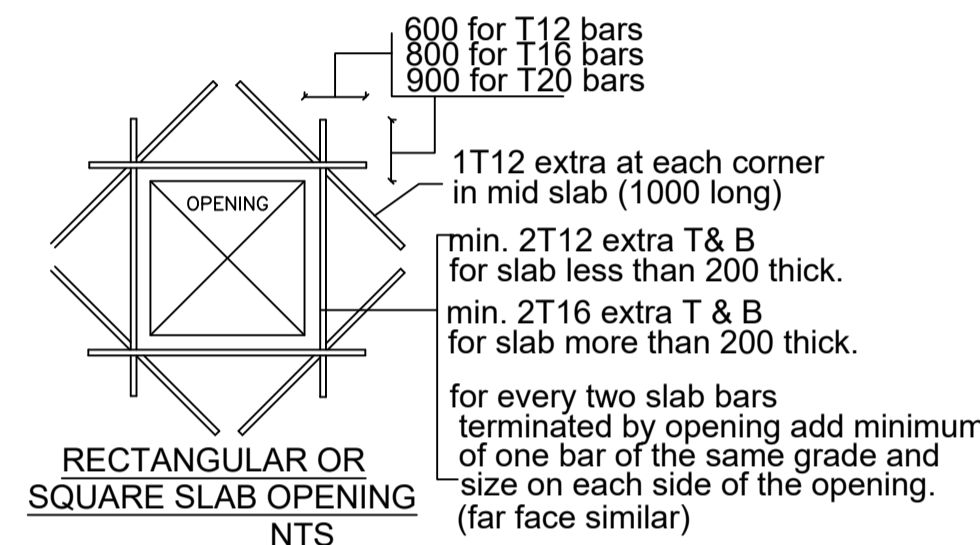
FUTURE EXPANSION

Building Designed for a total of 4 stories.

REINFORCEMENT

- All reinforcing bars shall be deformed high strength steel bars of Characteristic Strength equal to: $f_y = 420$ MPa. for main steel denoted by T or R.
- Reinforcement shall comply with Jordanian standards
- Reinforcement shall be placed as shown on the drawings and in the lengths specified.
- Where bar length is not specified, longest practicable bar length shall be employed with staggered lap splices. Lap length shall be 55 times bar diameter.
- Bar crank shall not exceed 1:12.
- Beam reinforcement in multiple layers shall have 25mm spacer bars.

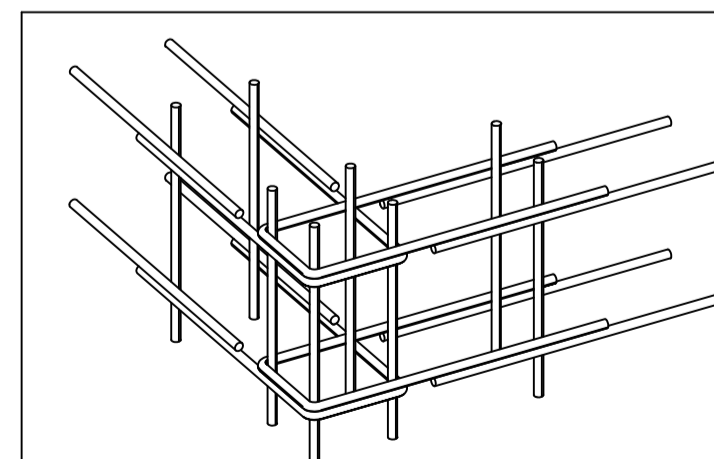
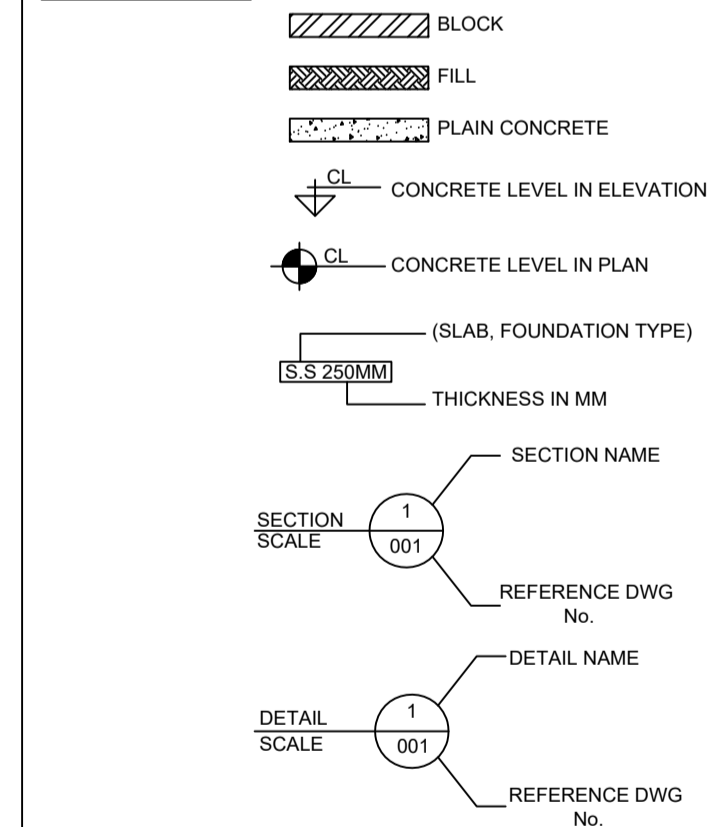
FOR OPENINGS IN SOLID SLABS



NOTES:

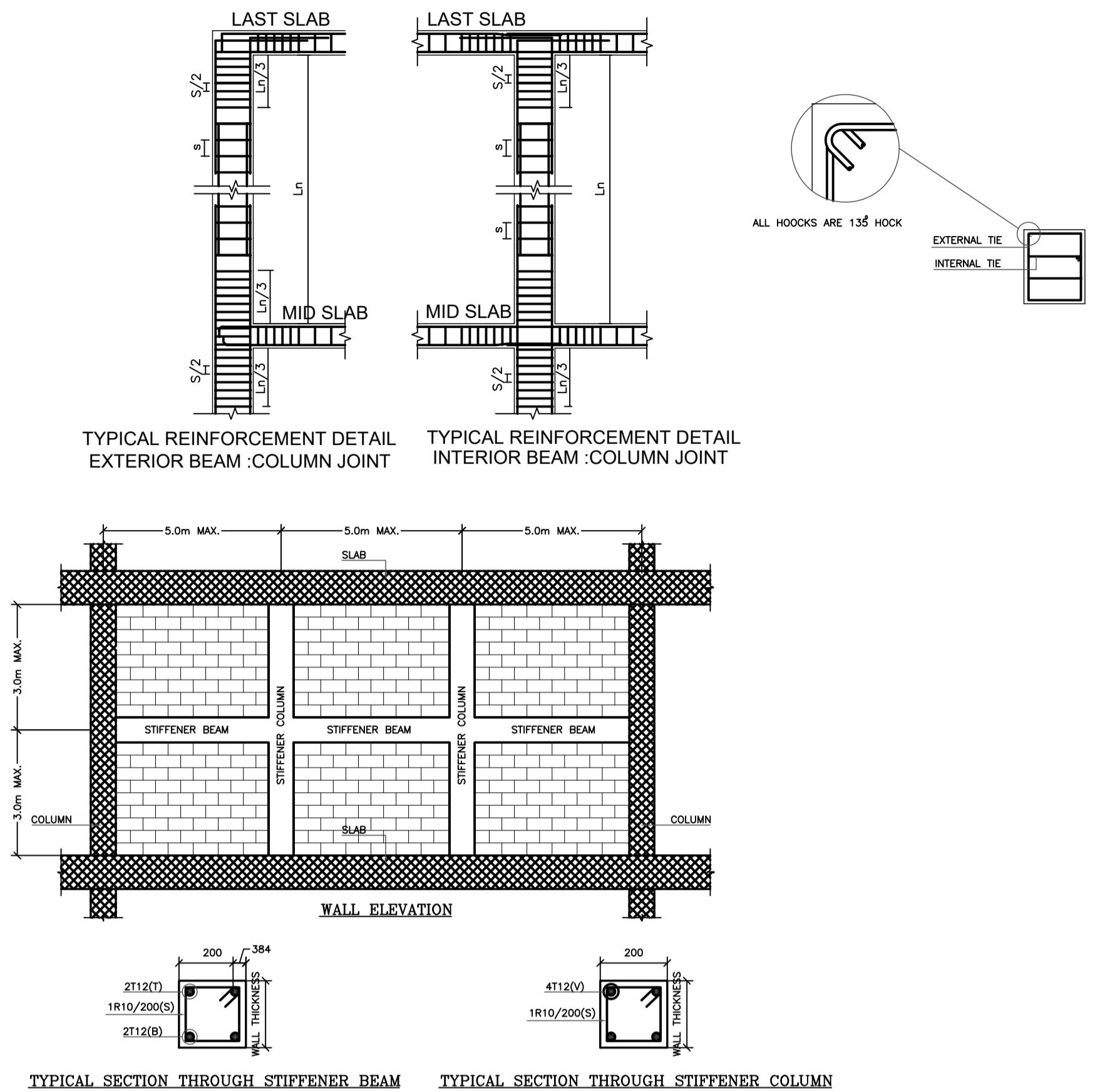
- for openings less than 200 x 200 (or 200 dia. regular reinforcing bars to be re-arranged around the opening.
- for openings greater than 200 x 200 (or 200 dia.) & equal or less than 1000x1000 use above details unless additional trimming bars are shown on the plan.
- where an opening edge aligns with the side of a beam - omit the additional bars shown, from that edge.
- similar details apply for hexagonal and octagonal openings.

SYMBOLS

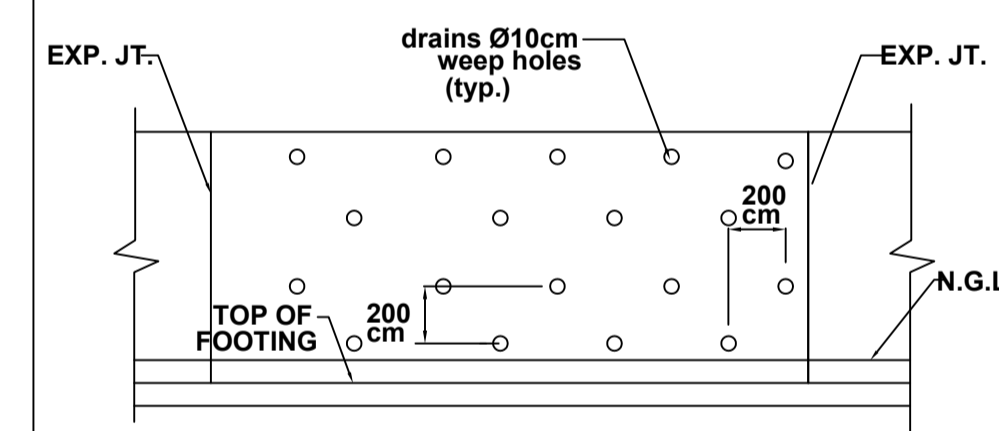


FOR ALL WALLS AND WALL BEAMS
Use U Bars for ends and corners

DETAILS

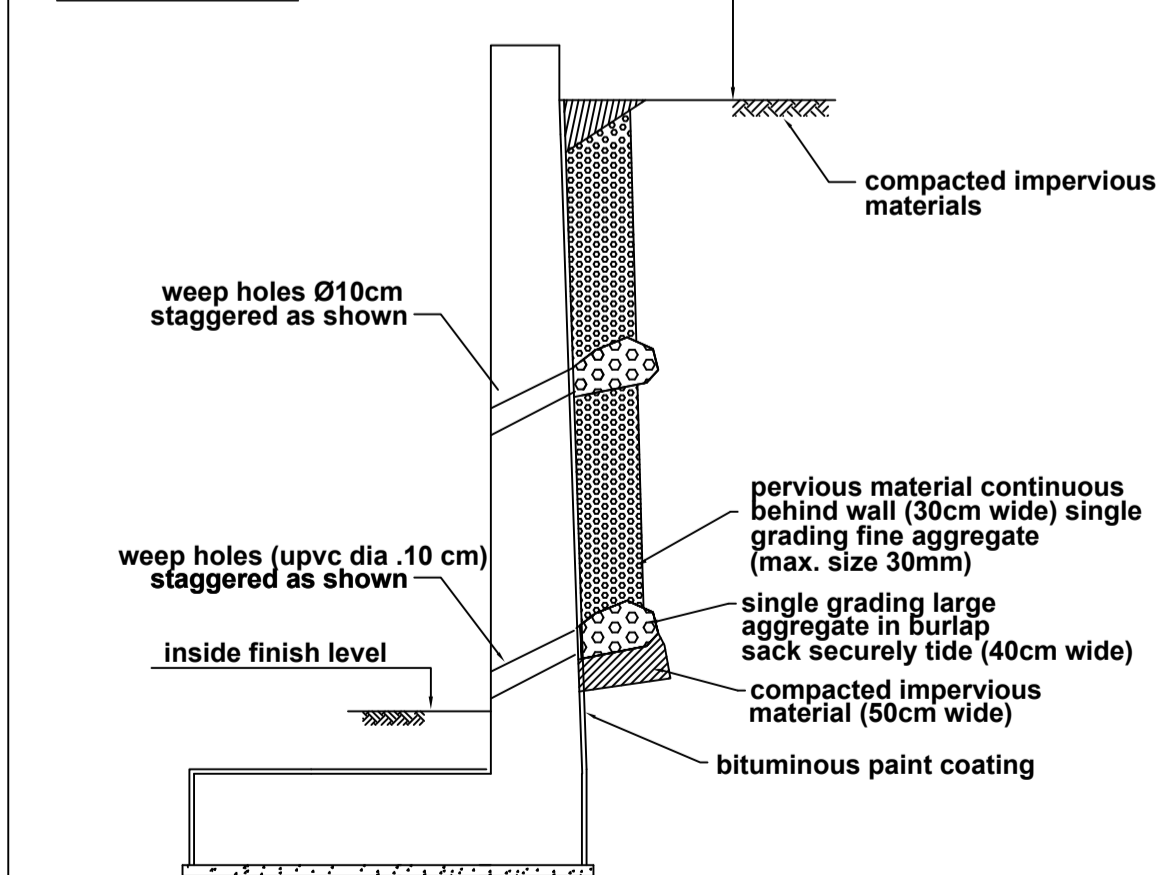


TYPICAL ELEVATION



FOR ALL BOUNDARY WALLS AND RETAINING WALLS IN SITE

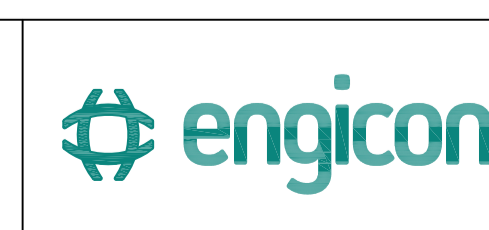
TYPICAL SECTION



FOR ALL BOUNDARY WALLS AND RETAINING WALLS IN SITE

REV.	DATE	REMARKS
0	JUNE 2020	VOL. IV - TENDER DRAWINGS

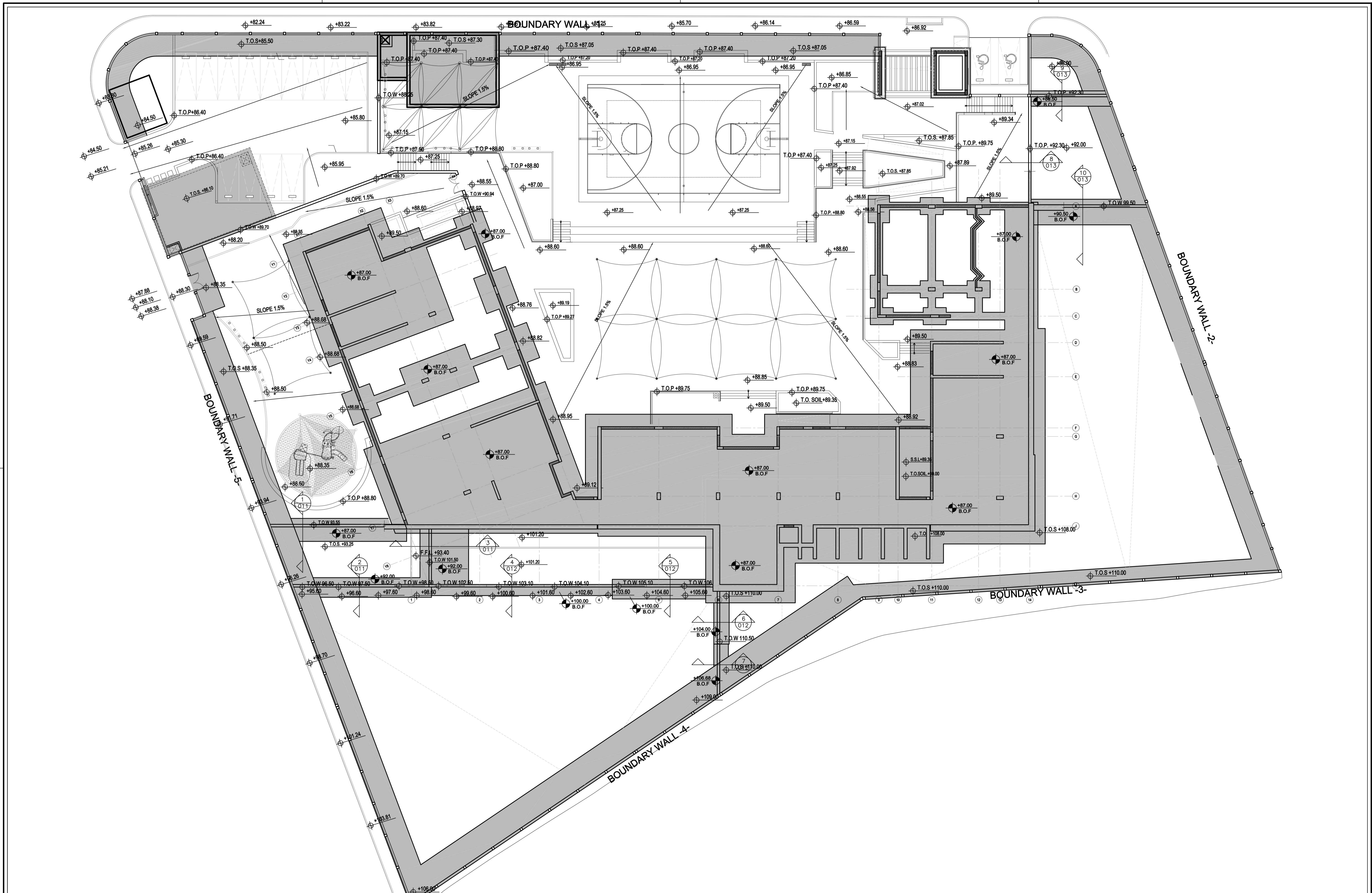
NOTES:



PHASE III	AL KHANSA'A BASIC MIXED SCHOOL (AL BALQA)
PACKAGE 1	SCHOOLS FOR A KNOWLEDGE ECONOMY PROJECT (USAID SKEP)

DRAWING NAME: GENERAL STRUCTURAL NOTES		
PLOT No: 1343.1334	LOCATION: AL KARAMA	BASIN NO: 1 AL BALAD AL SHARQI

Design: A.A.	Drawn: CAD	Checked: I.K.H.	North: [Symbol]
SCALE: N.T.S.	Date: JUNE 2020	Approved: W.Z.	
DRAWING NUMBER: SKEP-15-SG001			Rev.: 0



REV.	DATE	REMARKS
0	JUNE 2020	VOL. IV - TENDER DRAWINGS

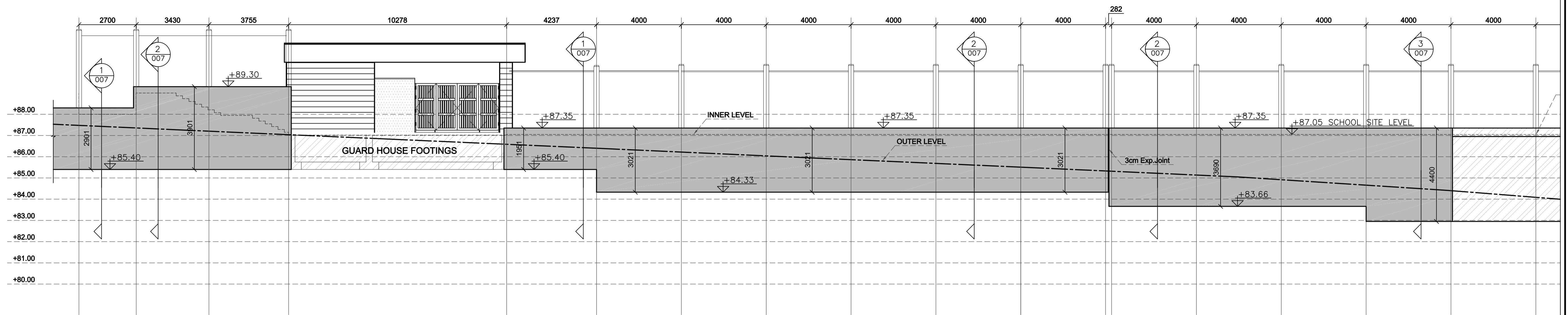
NOTES:
 ANY SITE WORK (RETAINING WALLS, PLANTERS WALLS, etc.) CONNECTED TO THE BUILDING IS SHOWN IN THIS DRAWING FOR INDICATION ONLY. REFER TO SITE DETAILS DRAWINGS FOR EXACT DIMENSIONS, LOCATION AND DETAILS.



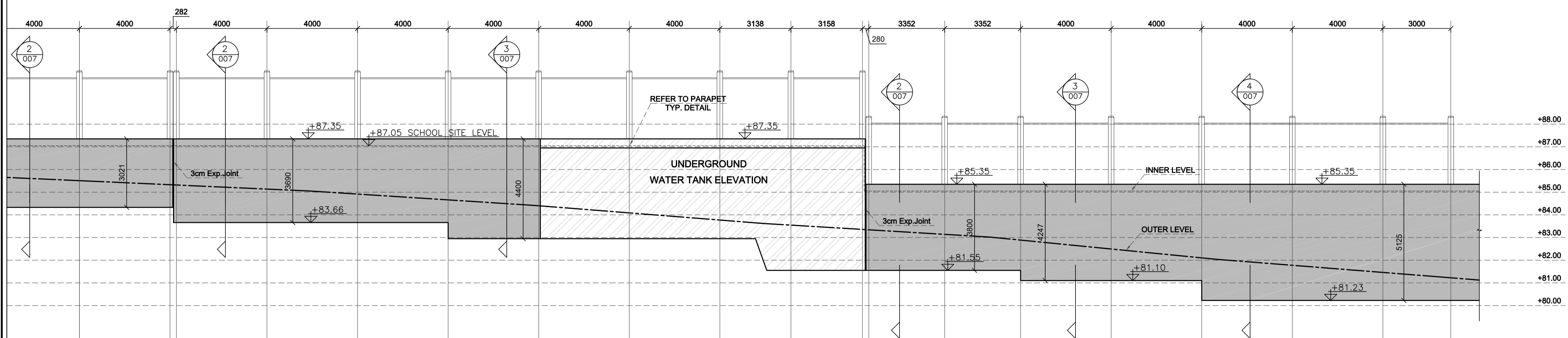
PHASE III	AL KHANSA'A BASIC MIXED SCHOOL (AL BALQA)
PACKAGE 1	SCHOOLS FOR A KNOWLEDGE ECONOMY PROJECT (USAID SKEP)

DRAWING NAME: GENERAL SITE PLAN		
PLOT No. 1343.1334	LOCATION AL KARAMA	BASIN NO. 1 AL BALAD AL SHARQI

Design: A.A.	Drawn: CAD	Checked: I.K.H.	North:
SCALE: 1:200	Date: JUNE 2020	Approved: W.Z.	
DRAWING NUMBER: SKEP-15-SG002			Rev.: 0



BOUNDARY WALL -1-
1:100



BOUNDARY WALL -1-
1:100

REV.	DATE	REMARKS
0	JUNE 2020	VOL. IV - TENDER DRAWINGS

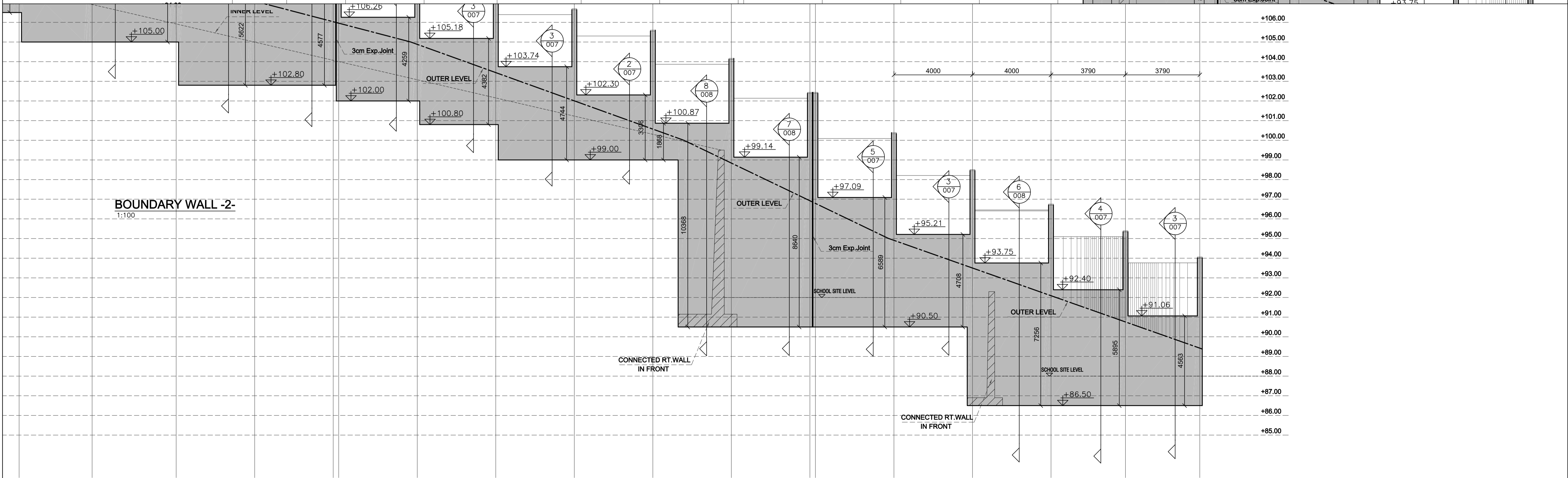
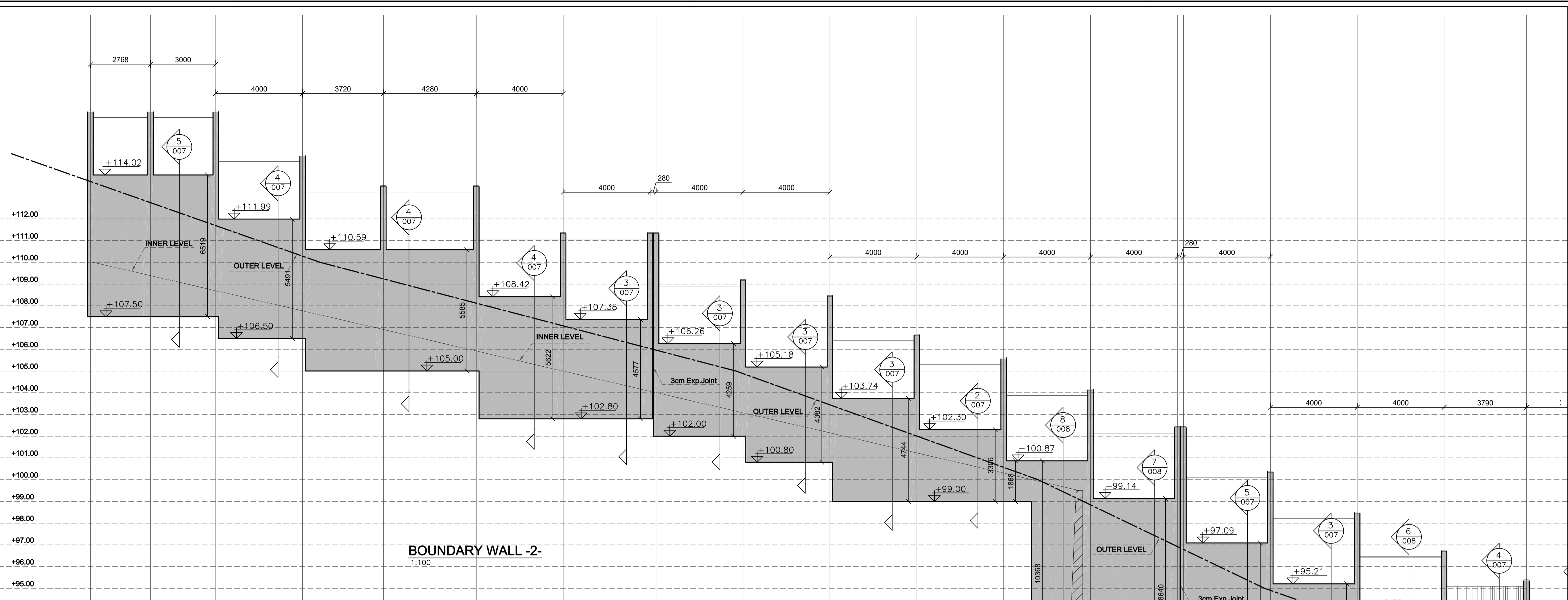
NOTES:
ANY SITE WORK (RETAINING WALLS, PLANTERS WALLS, etc.) CONNECTED TO THE BUILDING IS SHOWN IN THIS DRAWING FOR INDICATION ONLY. REFER TO SITE DETAILS DRAWINGS FOR EXACT DIMENSIONS, LOCATION AND DETAILS.



PHASE III	AL KHANSA'A BASIC MIXED SCHOOL (AL BALQA)
PACKAGE 1	SCHOOLS FOR A KNOWLEDGE ECONOMY PROJECT (USAID SKEP)

DRAWING NAME: BOUNDARY WALL (1) ELEVATION		
PLOT No: 1343.1334	LOCATION: AL KARAMA	BASIN NO: 1 AL BALAD AL SHARQI

Design: A.A.	Drawn: CAD	Checked: I.KH.	North:
SCALE: 1:100	Date: JUNE 2020	Approved: W.Z.	
DRAWING NUMBER: SKEP-15-SG003			Rev.: 0



REV.	DATE	REMARKS
0	JUNE 2020	VOL. IV - TENDER DRAWINGS

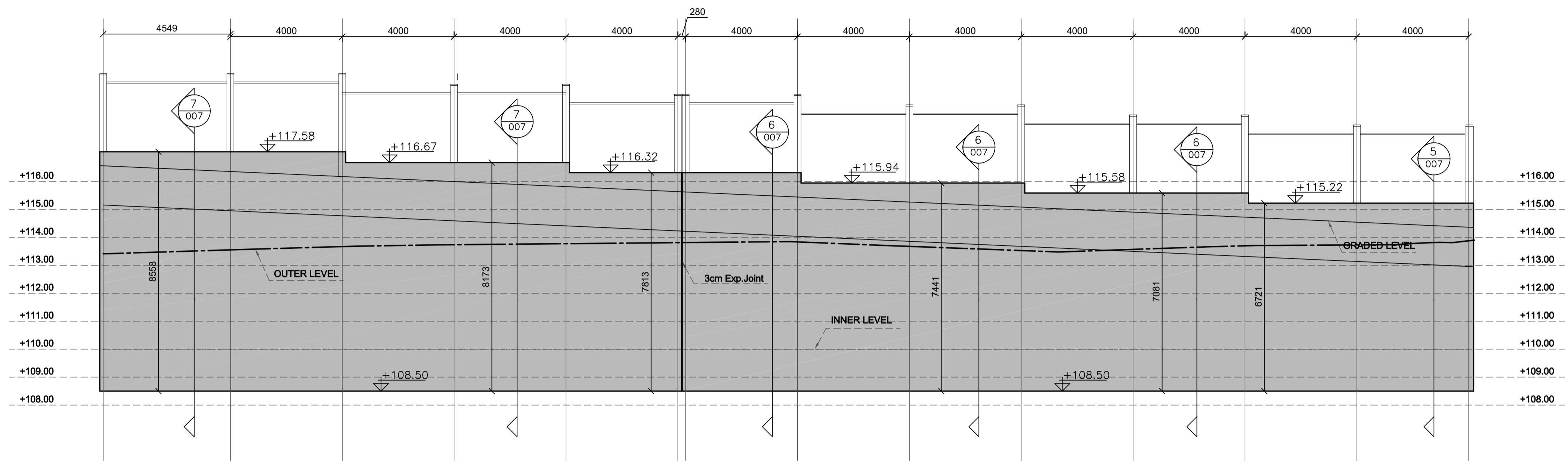
NOTES:
 ANY SITE WORK (RETAINING WALLS, PLANTERS WALLS, etc.) CONNECTED TO THE BUILDING IS SHOWN IN THIS DRAWING FOR INDICATION ONLY. REFER TO SITE DETAILS DRAWINGS FOR EXACT DIMENSIONS, LOCATION AND DETAILS.



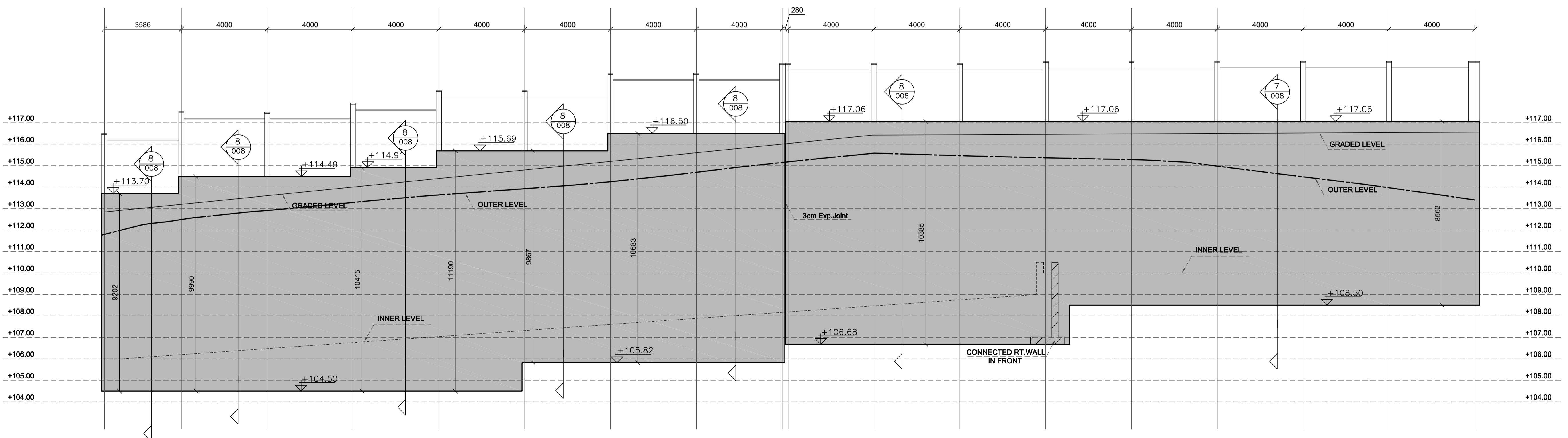
PHASE III
 PACKAGE 1
 AL KHANSA'A BASIC MIXED SCHOOL (AL BALQA)
 SCHOOLS FOR A KNOWLEDGE ECONOMY PROJECT (USAID SKEP)

DRAWING NAME:
BOUNDARY WALL (2) ELEVATION
 PLOT No: 1343.1334
 LOCATION: AL KARAMA
 BASIN NO: 1 AL BALAD AL SHARQI

Design: A.A.	Drawn: CAD	Checked: I.K.H.	North:
SCALE: 1:100	Date: JUNE 2020	Approved: W.Z.	
DRAWING NUMBER: SKEP-15-SG004			Rev.: 0



BOUNDARY WALL -3-
1:100



BOUNDARY WALL -4-
1:100

REV.	DATE	REMARKS
0	JUNE 2020	VOL. IV - TENDER DRAWINGS

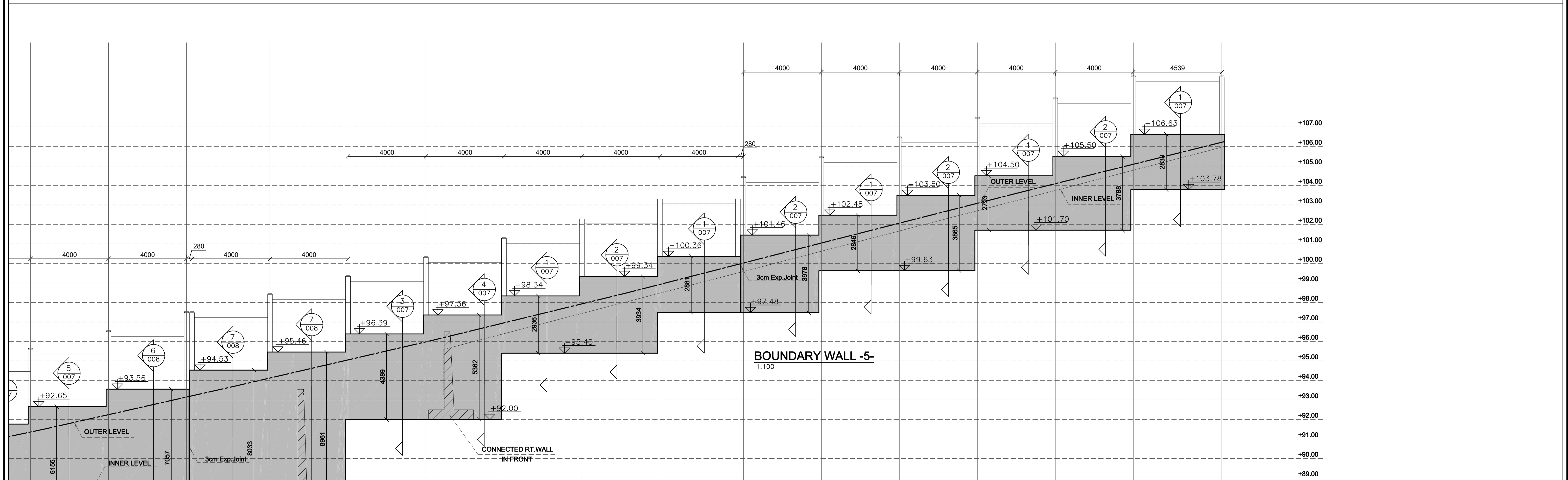
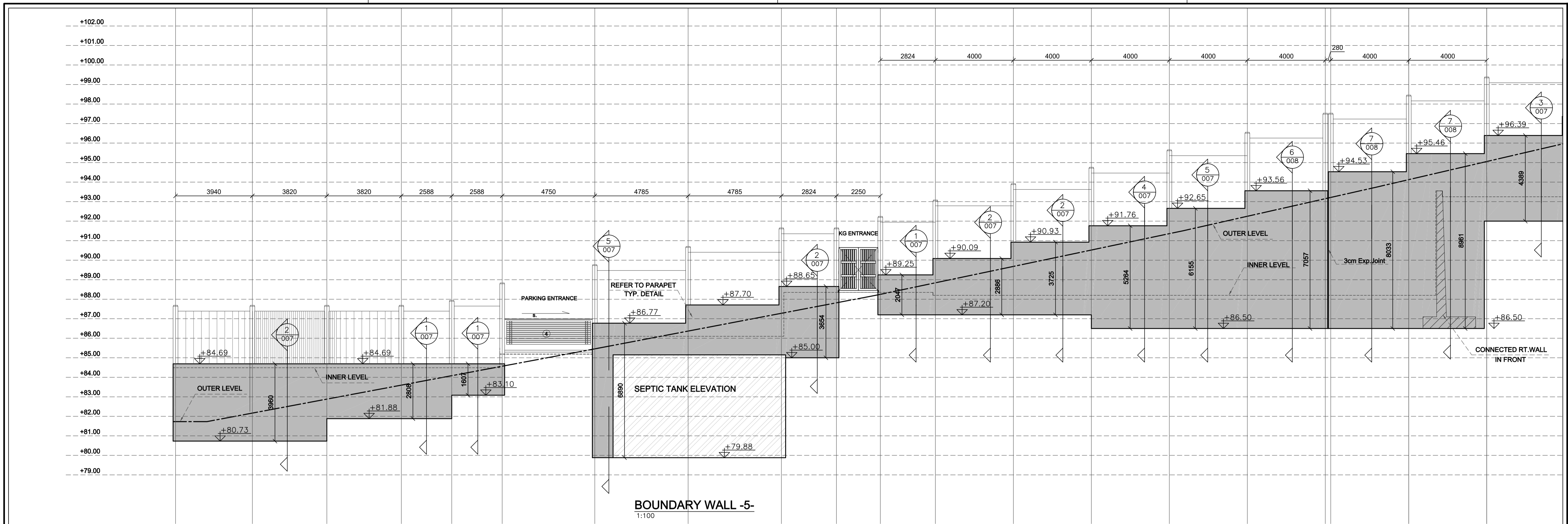
NOTES:
ANY SITE WORK (RETAINING WALLS, PLANTERS WALLS, etc.) CONNECTED TO THE BUILDING IS SHOWN IN THIS DRAWING FOR INDICATION ONLY. REFER TO SITE DETAILS DRAWINGS FOR EXACT DIMENSIONS, LOCATION AND DETAILS.



PHASE III	AL KHANSA'A BASIC MIXED SCHOOL (AL BALQA)
PACKAGE 1	SCHOOLS FOR A KNOWLEDGE ECONOMY PROJECT (USAID SKEP)

DRAWING NAME: BOUNDARY WALL (3 & 4) ELEVATION		
PLOT No: 1343.1334	LOCATION: AL KARAMA	BASIN NO: 1 AL BALAD AL SHARQI

Design: A.A.	Drawn: CAD	Checked: I.KH.	North: ↑
SCALE: 1:100	Date: JUNE 2020	Approved: W.Z.	
DRAWING NUMBER: SKEP-15-SG005			Rev.: 0



REV.	DATE	REMARKS
0	JUNE 2020	VOL. IV - TENDER DRAWINGS

NOTES:
 ANY SITE WORK (RETAINING WALLS, PLANTERS WALLS, etc.) CONNECTED TO THE BUILDING IS SHOWN IN THIS DRAWING FOR INDICATION ONLY. REFER TO SITE DETAILS DRAWINGS FOR EXACT DIMENSIONS, LOCATION AND DETAILS.



PHASE III
 PACKAGE 1
 AL KHANSA'A BASIC MIXED SCHOOL (AL BALQA)
 SCHOOLS FOR A KNOWLEDGE ECONOMY PROJECT (USAID SKEP)

DRAWING NAME:
BOUNDARY WALL (5) ELEVATION

PLOT No: 1343.1334
 LOCATION: AL KARAMA
 BASIN NO: 1 AL BALAD AL SHARQI

Design: A.A.
 Drawn: CAD
 Checked: I.KH.
 Approved: W.Z.

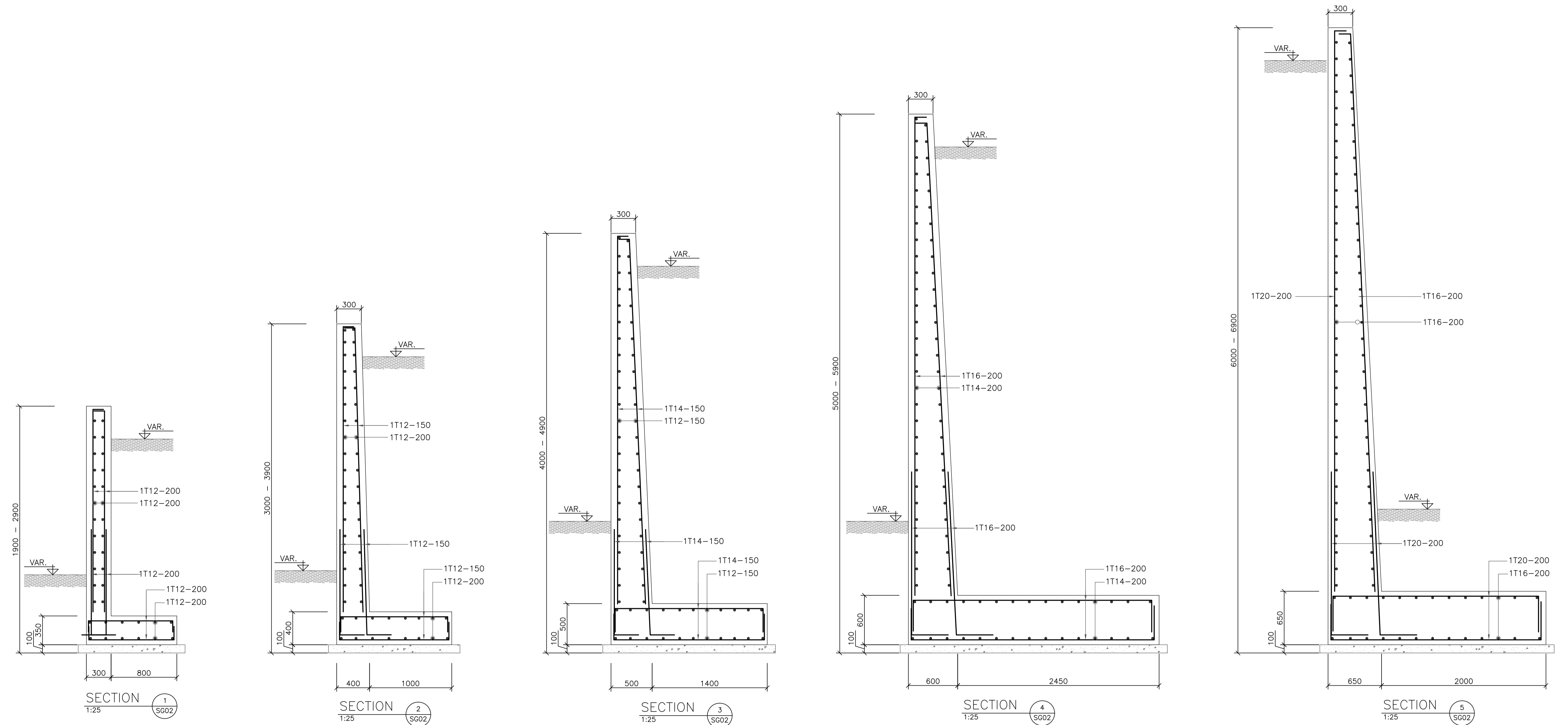
Date: JUNE 2020

DRAWING NUMBER: **SKEP-15-SG006**

Rev.: 0

NOTES:

- BACKFILLING IN FRONT AND BEHIND RETAINING WALLS SHALL BE DONE SIMULTANEOUSLY.
- DO NOT BACKFILL AGAINST BUILDING FOUNDATION AND RETAINING WALLS UNTIL RESTRAINING SLABS AND ADEQUATE BRACING ARE IN PLACE. ALL BACKFILL SHALL BE PLACED AND COMPACTED IN ACCORDANCE WITH SPECIFICATIONS.
- DO NOT BACKFILL AGAINST CONCRETE CANTILEVER RETAINING WALLS UNTIL CONCRETE HAS ATTAINED ITS SPECIFIED 28-DAY COMPRESSIVE STRENGTH f_{cu} . ALL BACKFILL SHALL BE PLACED AND COMPACTED IN ACCORDANCE WITH THE SPECIFICATIONS.
- FOR WEEP HOLES DETAILS REFER TO STRUCTURAL NOTES DWG. SG001
- ALL BURIED STRUCTURES SHALL BE INSULATED BY 3 COATS OF FLUID PAINT.



REV.	DATE	REMARKS
0	JUNE 2020	VOL. IV - TENDER DRAWINGS

NOTES:



USAID
FROM THE AMERICAN PEOPLE



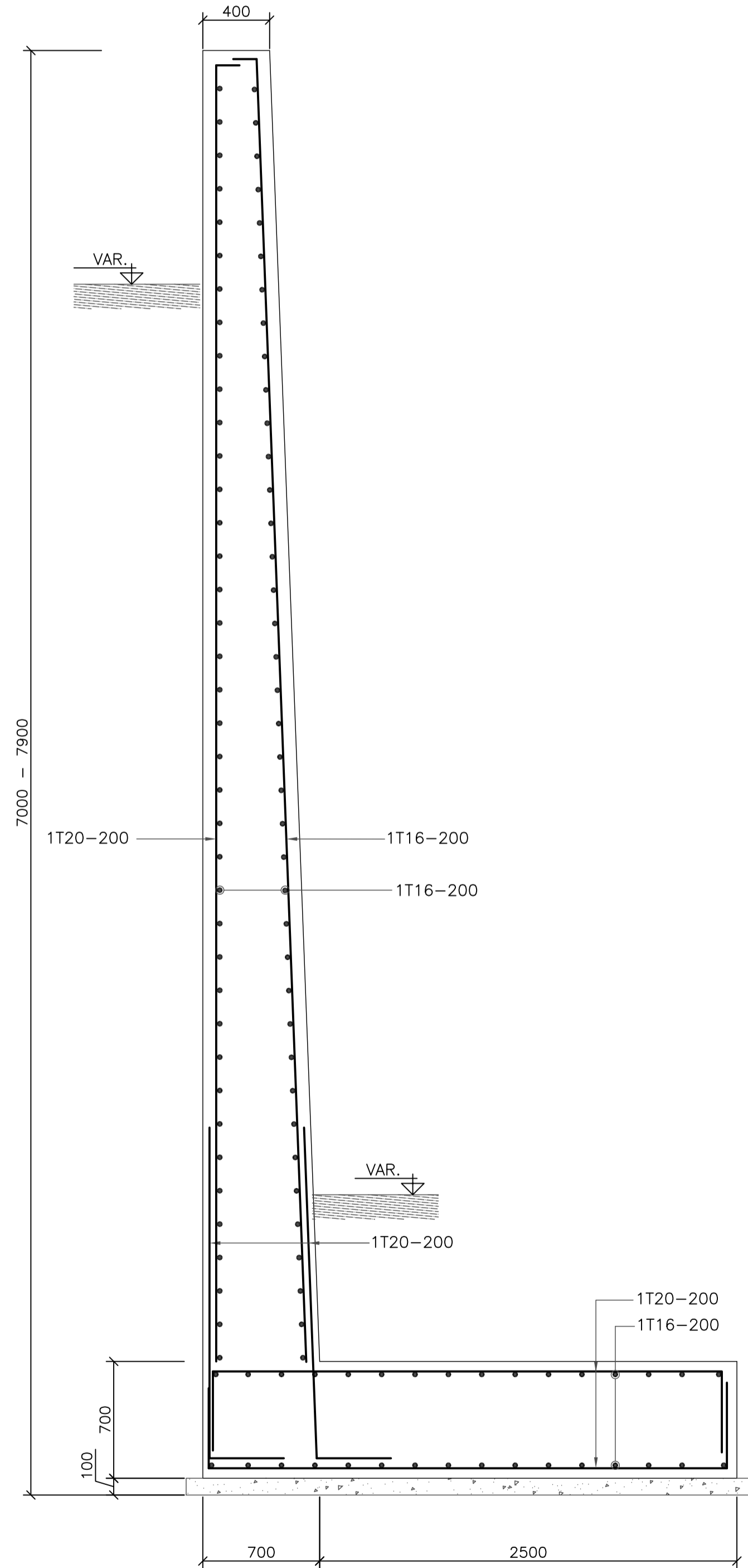
PHASE III	AL KHANSA'A BASIC MIXED SCHOOL (AL BALQA)
PACKAGE 1	SCHOOLS FOR A KNOWLEDGE ECONOMY PROJECT (USAID SKEP)

DRAWING NAME: BOUNDARY WALLS SECTIONS (SHEET 1 OF 2)		
PLOT No 1343.1334	LOCATION AL KARAMA	BASIN NO 1 AL BALAD AL SHARQI

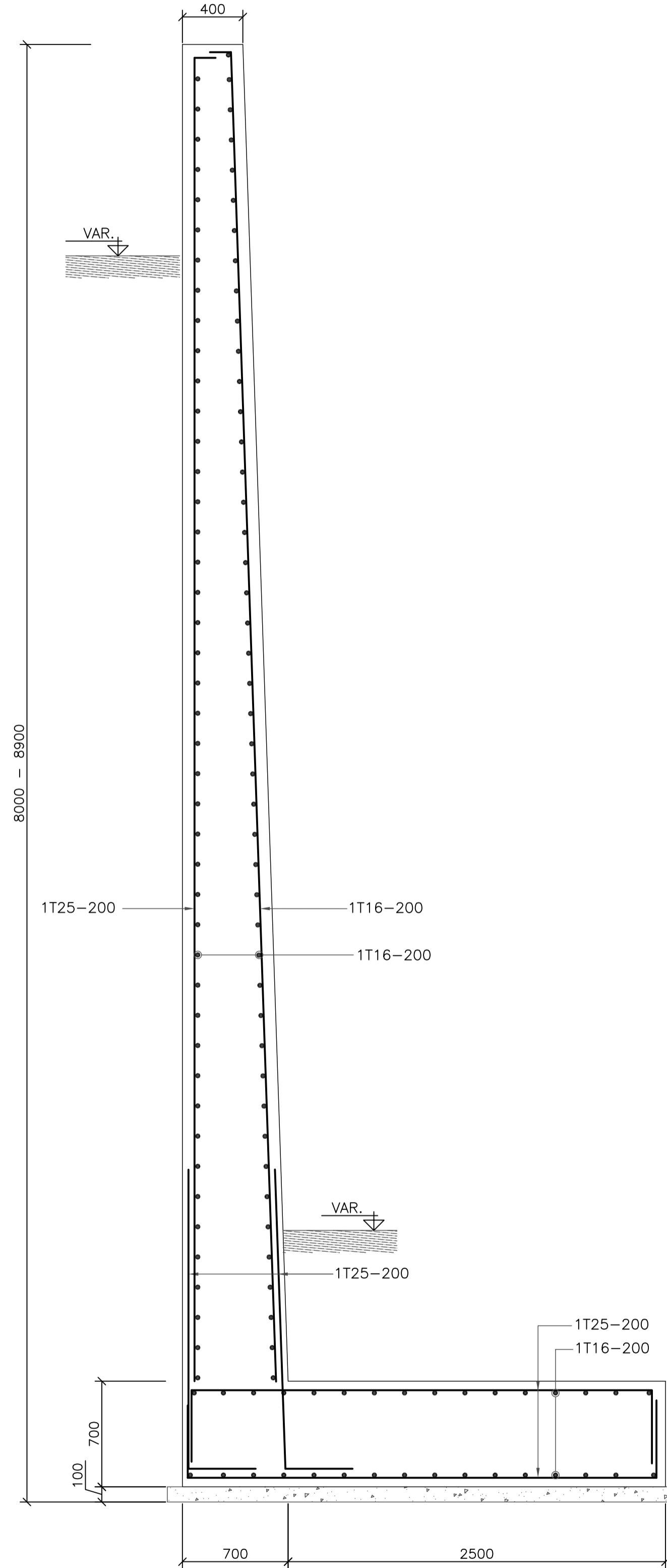
Design: A.A.	Drawn: CAD	Checked: I.KH.	North:
SCALE: 1:25	Date: JUNE 2020	Approved: W.Z.	
DRAWING NUMBER: SKEP-15-SG007			Rev.: 0

NOTES:

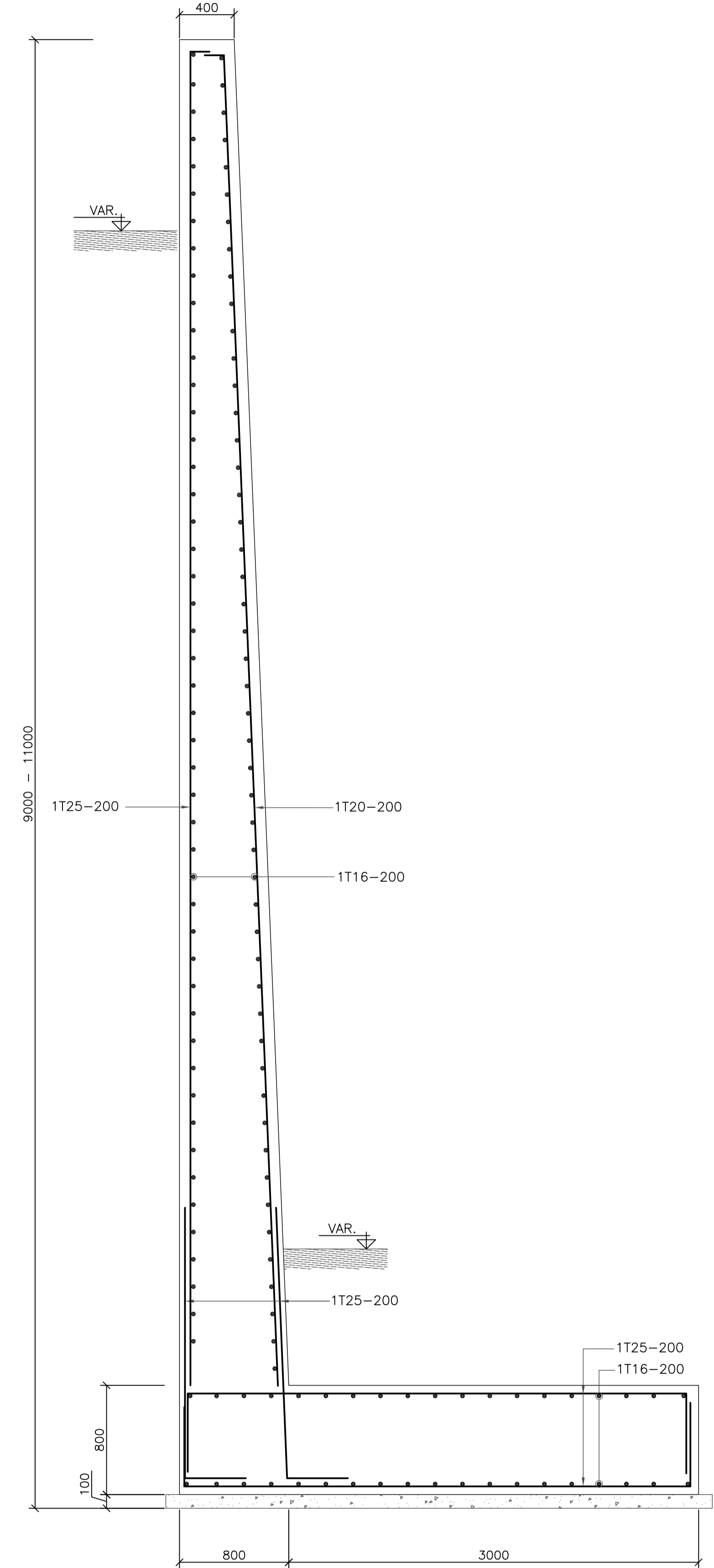
- BACKFILLING IN FRONT AND BEHIND RETAINING WALLS SHALL BE DONE SIMULTANEOUSLY.
- DO NOT BACKFILL AGAINST BUILDING FOUNDATION AND RETAINING WALLS UNTIL RESTRAINING SLABS AND ADEQUATE BRACING ARE IN PLACE. ALL BACKFILL SHALL BE PLACED AND COMPACTED IN ACCORDANCE WITH SPECIFICATIONS.
- DO NOT BACKFILL AGAINST CONCRETE CANTILEVER RETAINING WALLS UNTIL CONCRETE HAS ATTAINED ITS SPECIFIED 28-DAY COMPRESSIVE STRENGTH f_{cu} . ALL BACKFILL SHALL BE PLACED AND COMPACTED IN ACCORDANCE WITH THE SPECIFICATIONS.
- FOR WEEP HOLES DETAILS REFER TO STRUCTURAL NOTES DWG. SG001
- ALL BURIED STRUCTURES SHALL BE INSULATED BY 3 COATS OF FLUID PAINT.



SECTION 6
1:25



SECTION 7
1:25



SECTION 8
1:25

REV.	DATE	REMARKS
0	JUNE 2020	VOL. IV - TENDER DRAWINGS

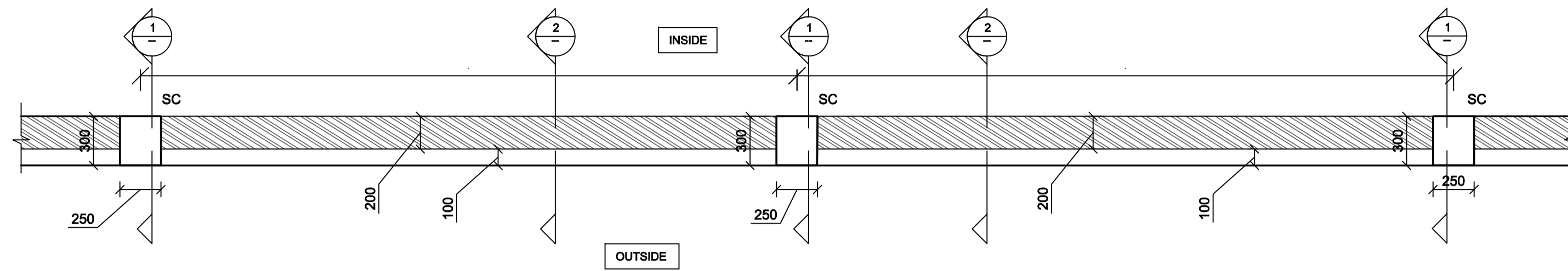
NOTES:



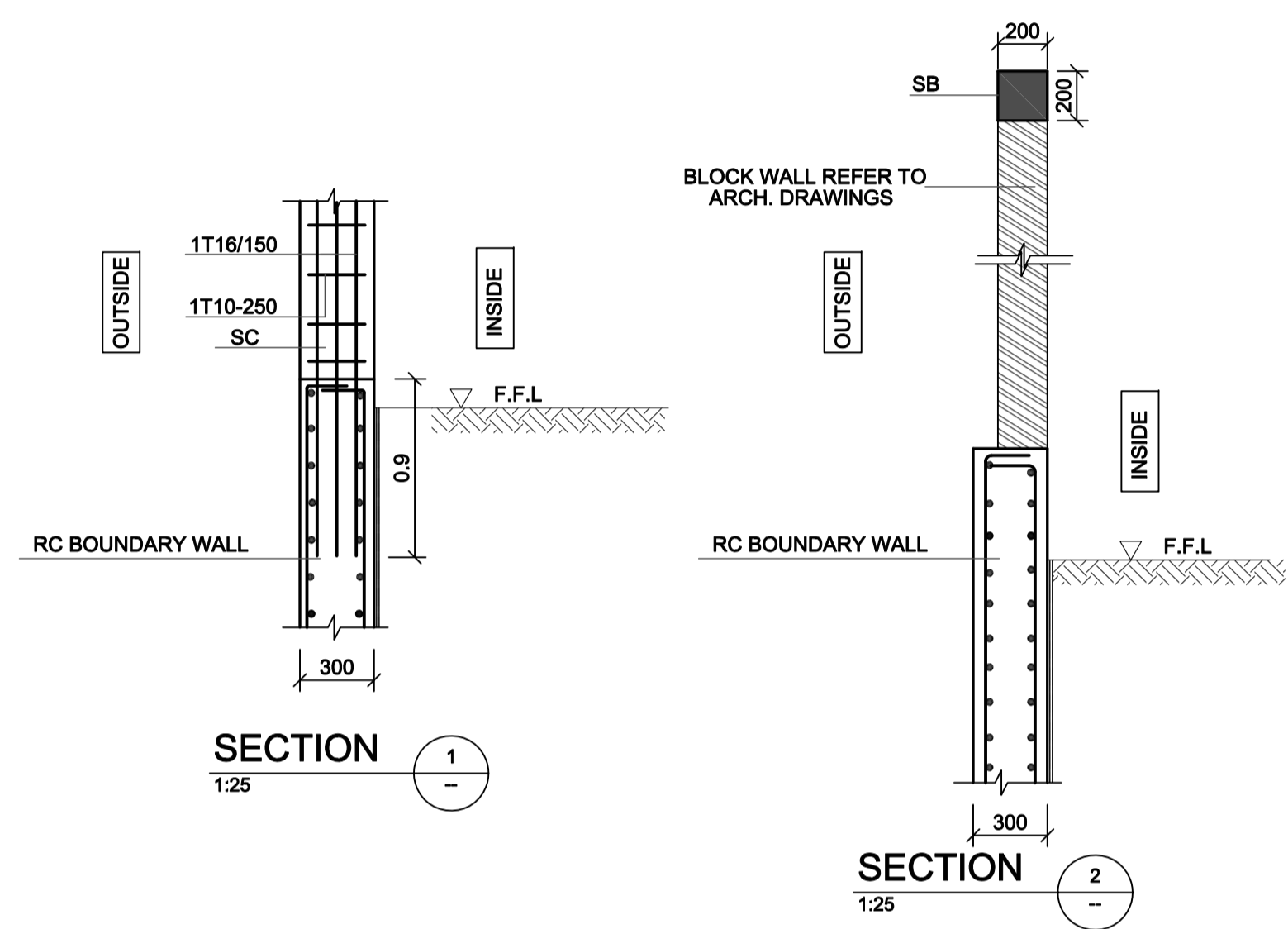
PHASE III	AL KHANSA'A BASIC MIXED SCHOOL (AL BALQA)
PACKAGE 1	SCHOOLS FOR A KNOWLEDGE ECONOMY PROJECT (USAID SKEP)

DRAWING NAME: BOUNDARY WALLS SECTIONS (SHEET 2 OF 2)		
PLOT No 1343.1334	LOCATION AL KARAMA	BASIN NO 1 AL BALAD AL SHARQI

Design: A.A.	Drawn: CAD	Checked: I.KH.	North:
SCALE: 1:25	Date: JUNE 2020	Approved: W.Z.	
DRAWING NUMBER: SKEP-15-SG008			Rev.: 0



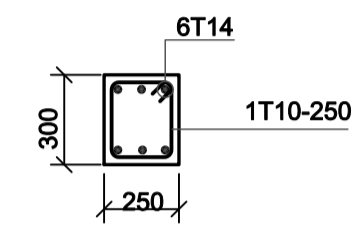
TOP OF BOUNDARY WALL
1:25



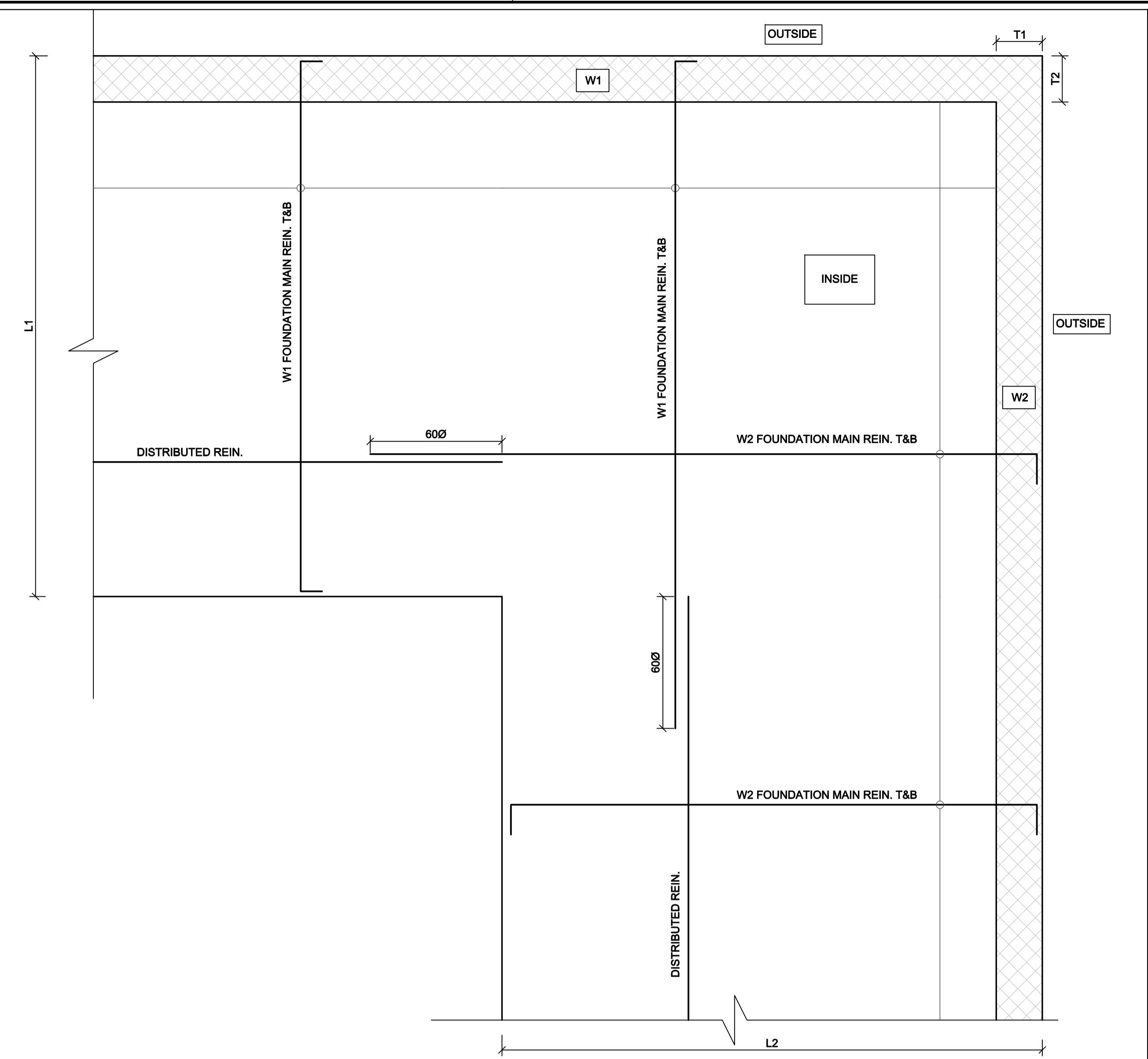
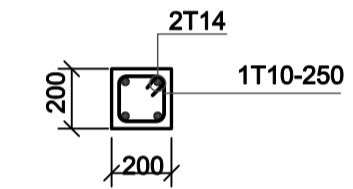
SECTION 1
1:25

SECTION 2
1:25

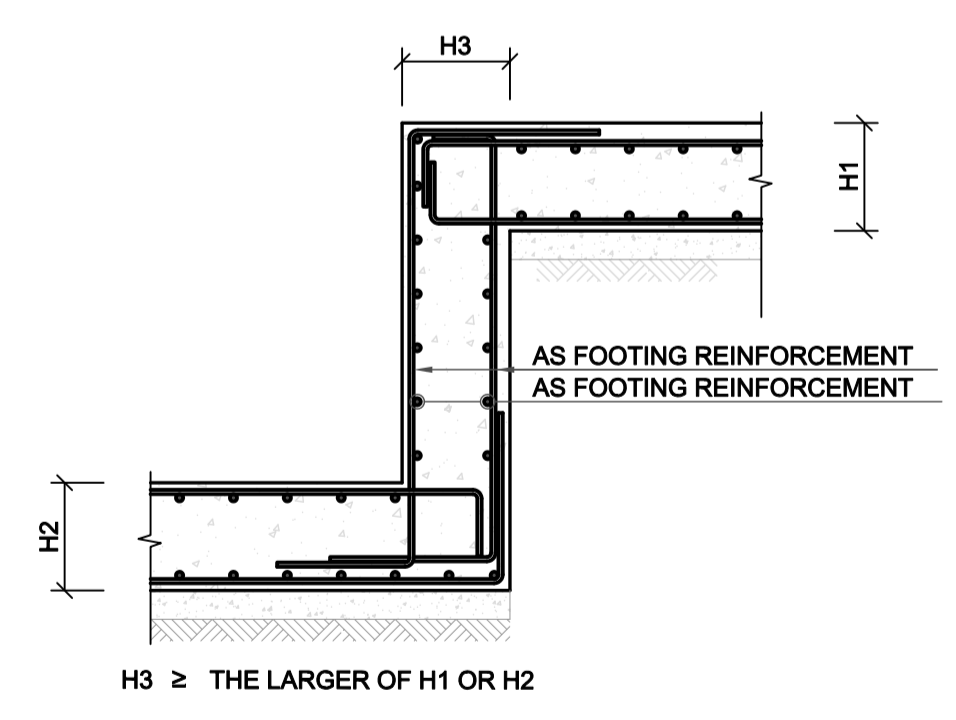
**STIFFENER COLUMN (SC) ABOVE R.C WALL
BETWEEN BLOCK WALLS**
1:25



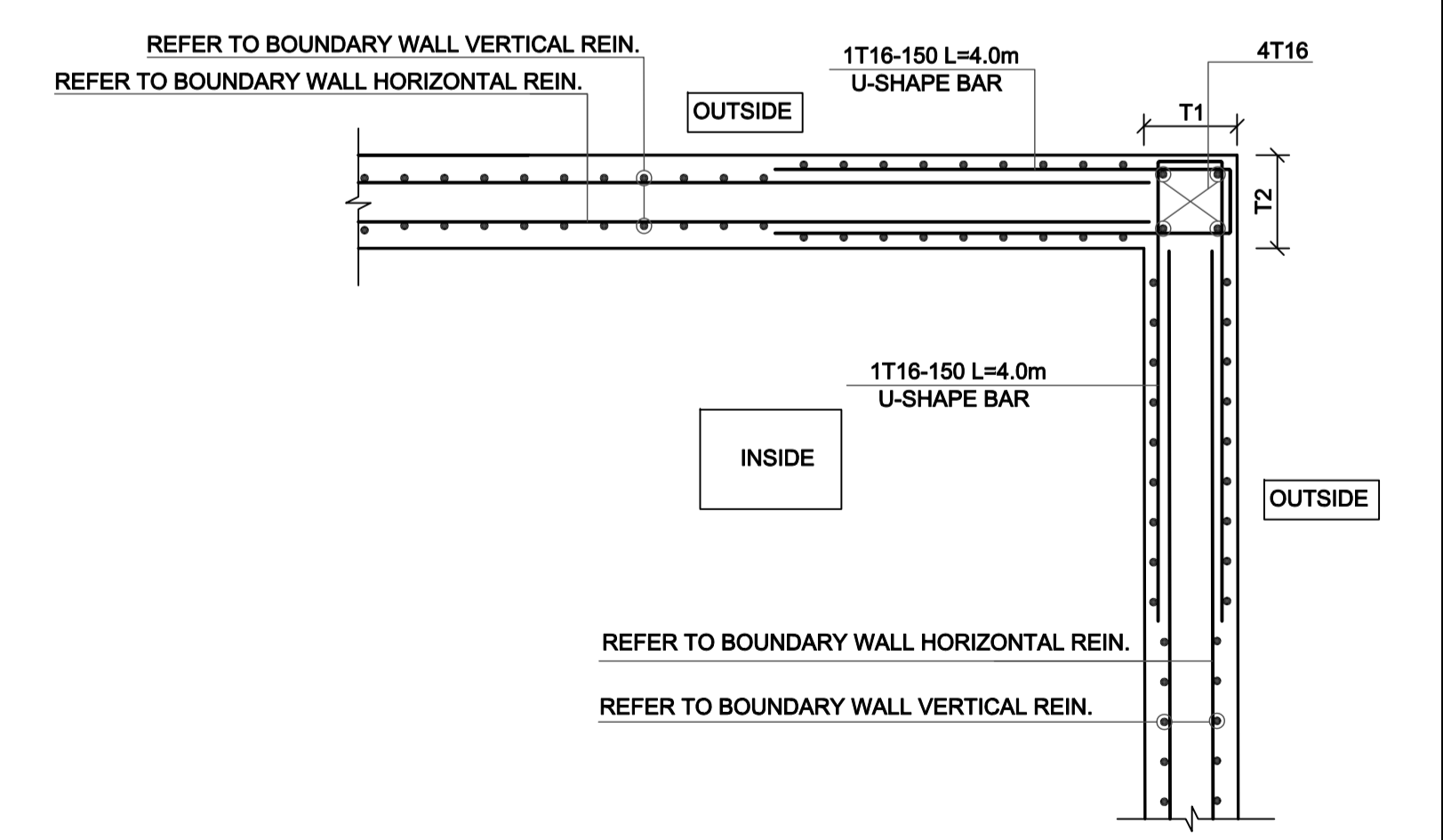
**STIFFENER BEAM (SB) ABOVE BLOCK WALL
BETWEEN STIFFENER COLUMNS**
1:25



BOUNDARY WALL-FOUDATION CORNER DETAIL
1:25



STEPPED FOUNDATION TYPICAL DETAIL
N.T.S.



BOUNDARY WALL - WALLS CORNER DETAIL
1:25

REV.	DATE	REMARKS
0	JUNE 2020	VOL. IV - TENDER DRAWINGS

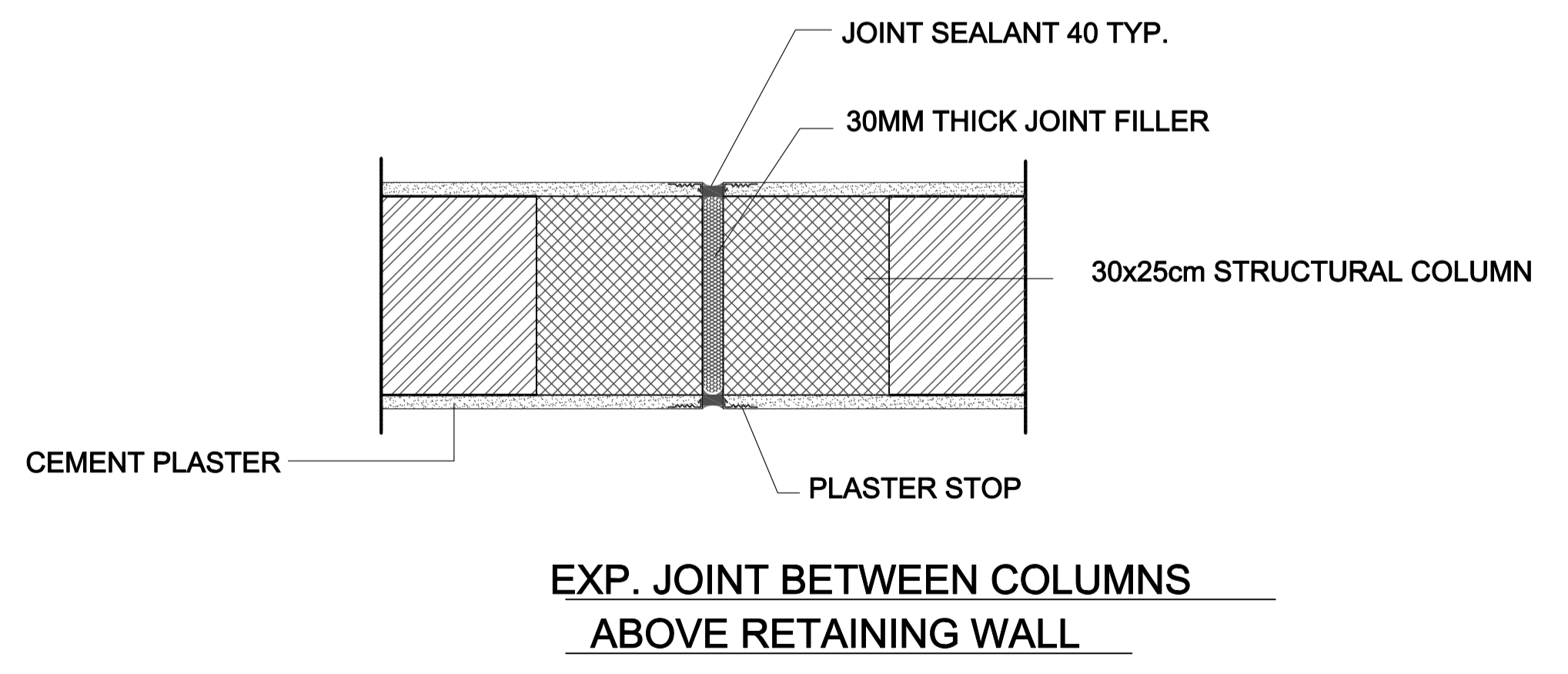
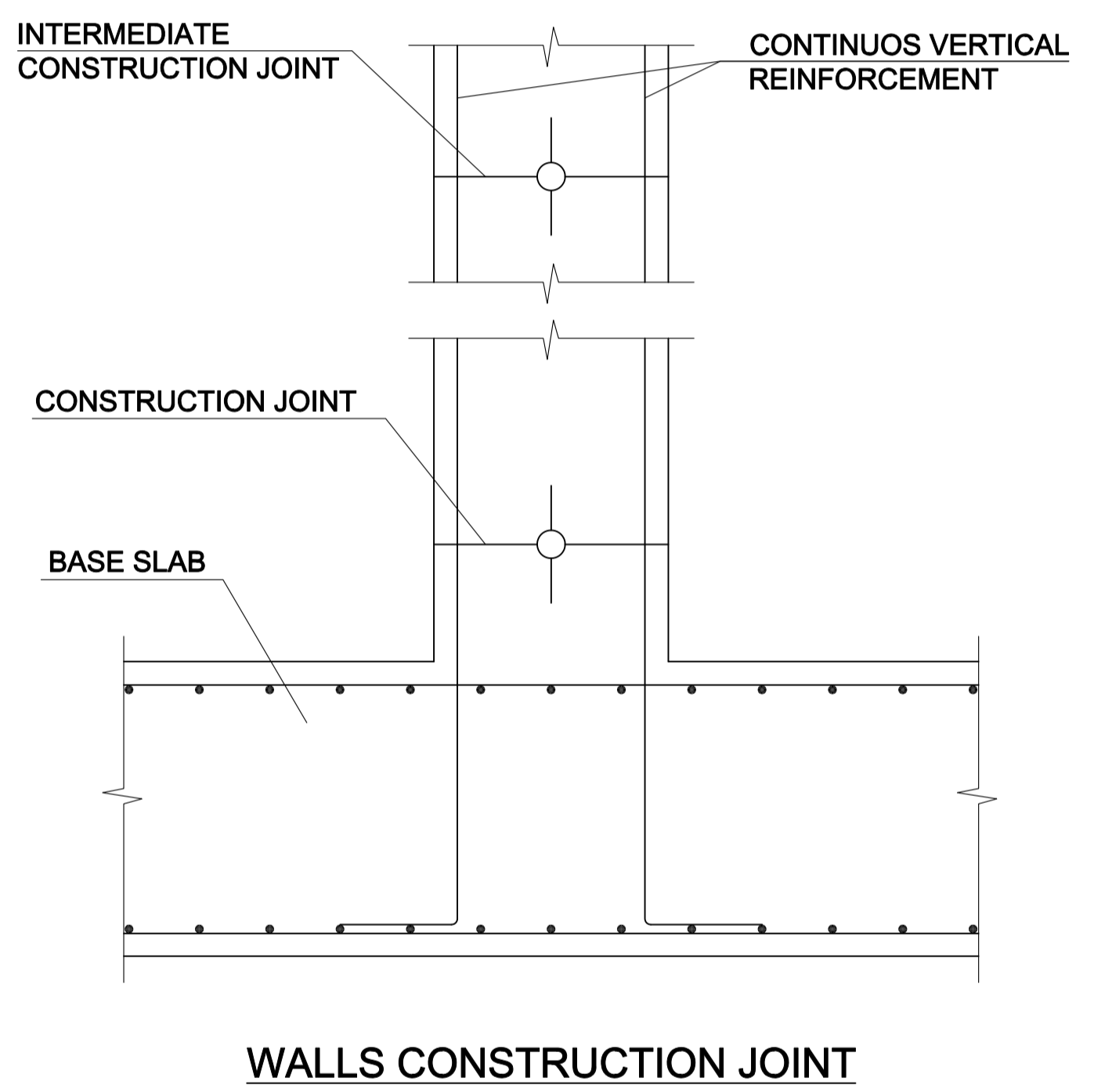
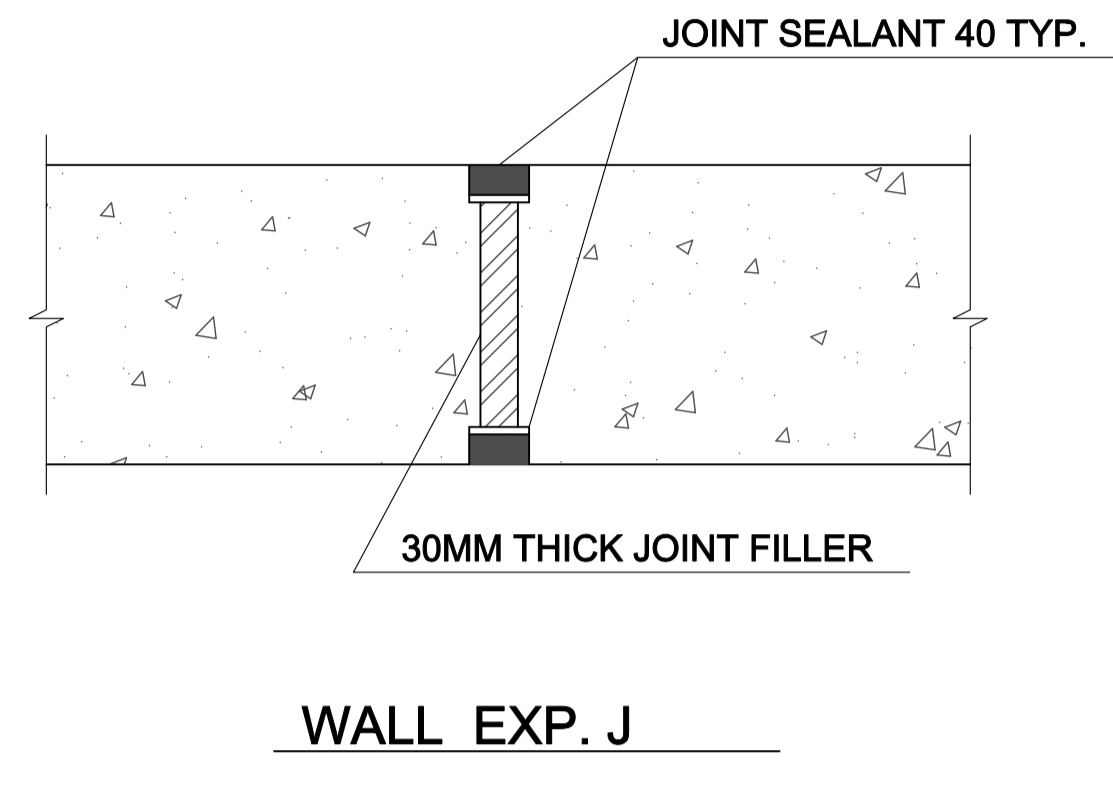
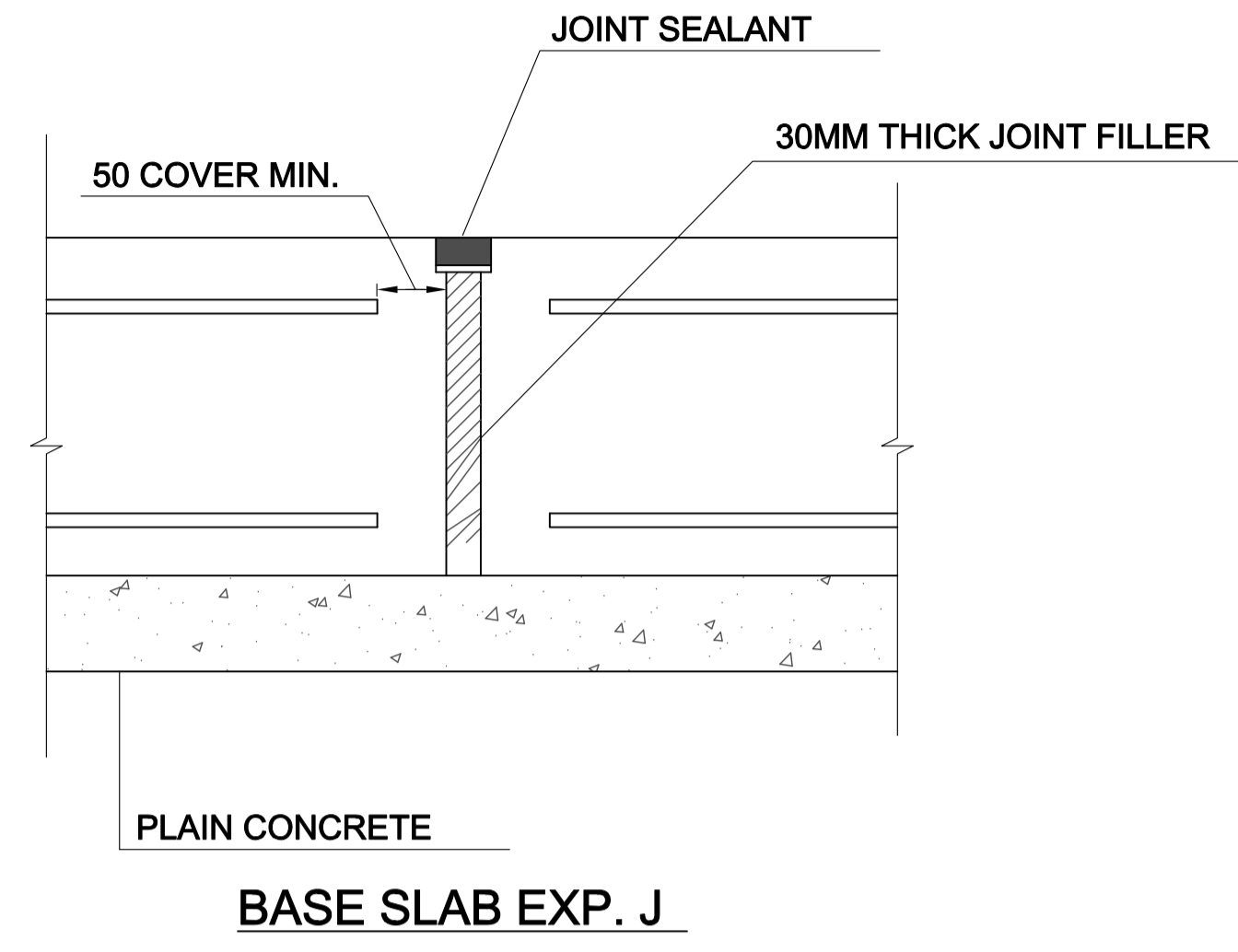
NOTES:



PHASE III	AL KHANSA'A BASIC MIXED SCHOOL (AL BALQA)
PACKAGE 1	SCHOOLS FOR A KNOWLEDGE ECONOMY PROJECT (USAID SKEP)

DRAWING NAME: BOUNDARY WALLS GENERAL DETAILS SHEET 1 OF 2	
PLOT No. 1343.1334	LOCATION AL KARAMA
BASIN NO. 1 AL BALAD AL SHARQI	

Design: A.A.	Drawn: CAD	Checked: I.KH.	North:
SCALE: N.T.S.	Date: JUNE 2020	Approved: W.Z.	
DRAWING NUMBER: SKEP-15-SG009		Rev.:	0



NOTES:		
0	JUNE 2020	VOL. IV - TENDER DRAWINGS
REV.	DATE	REMARKS



USAID
FROM THE AMERICAN PEOPLE



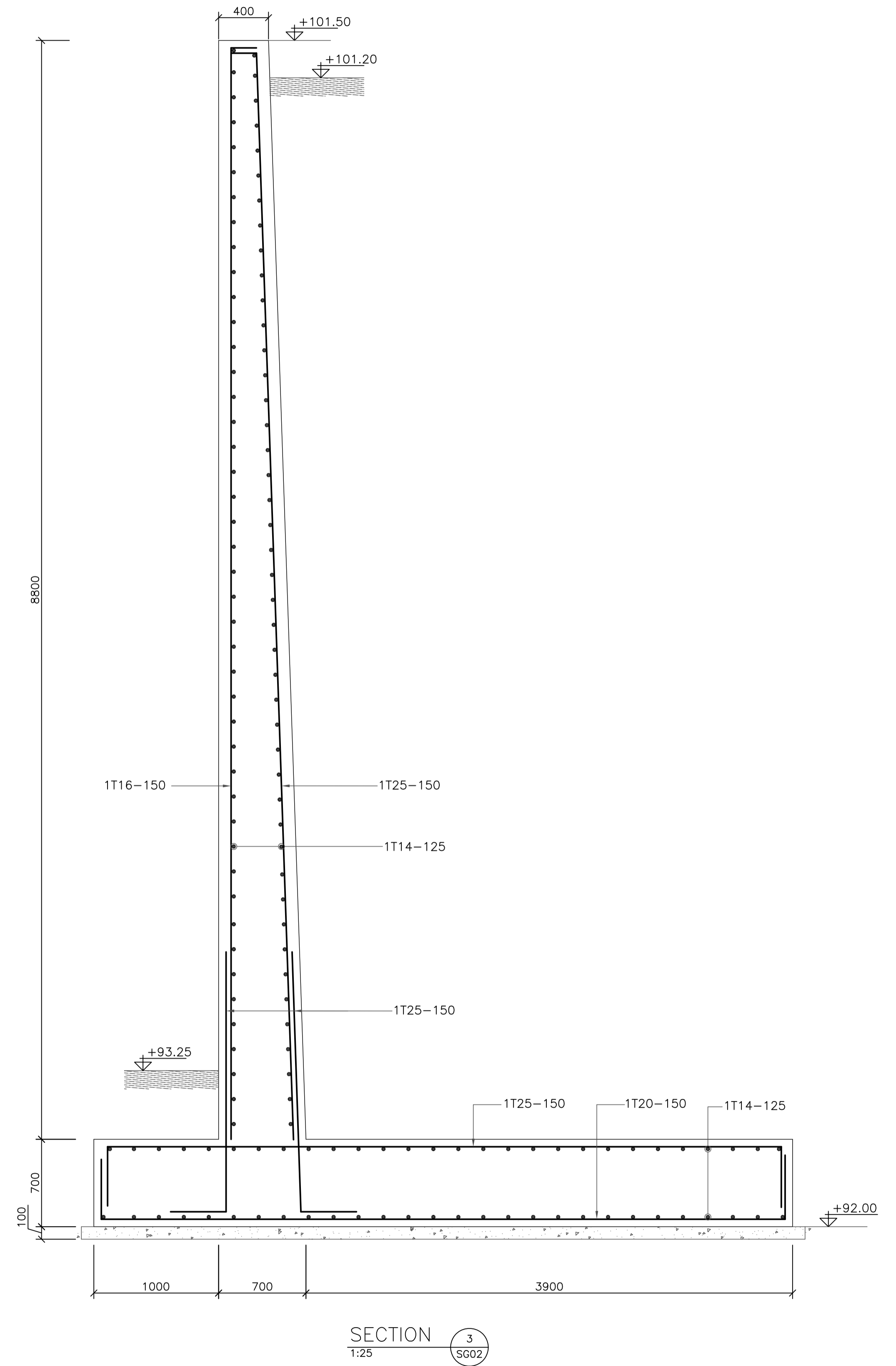
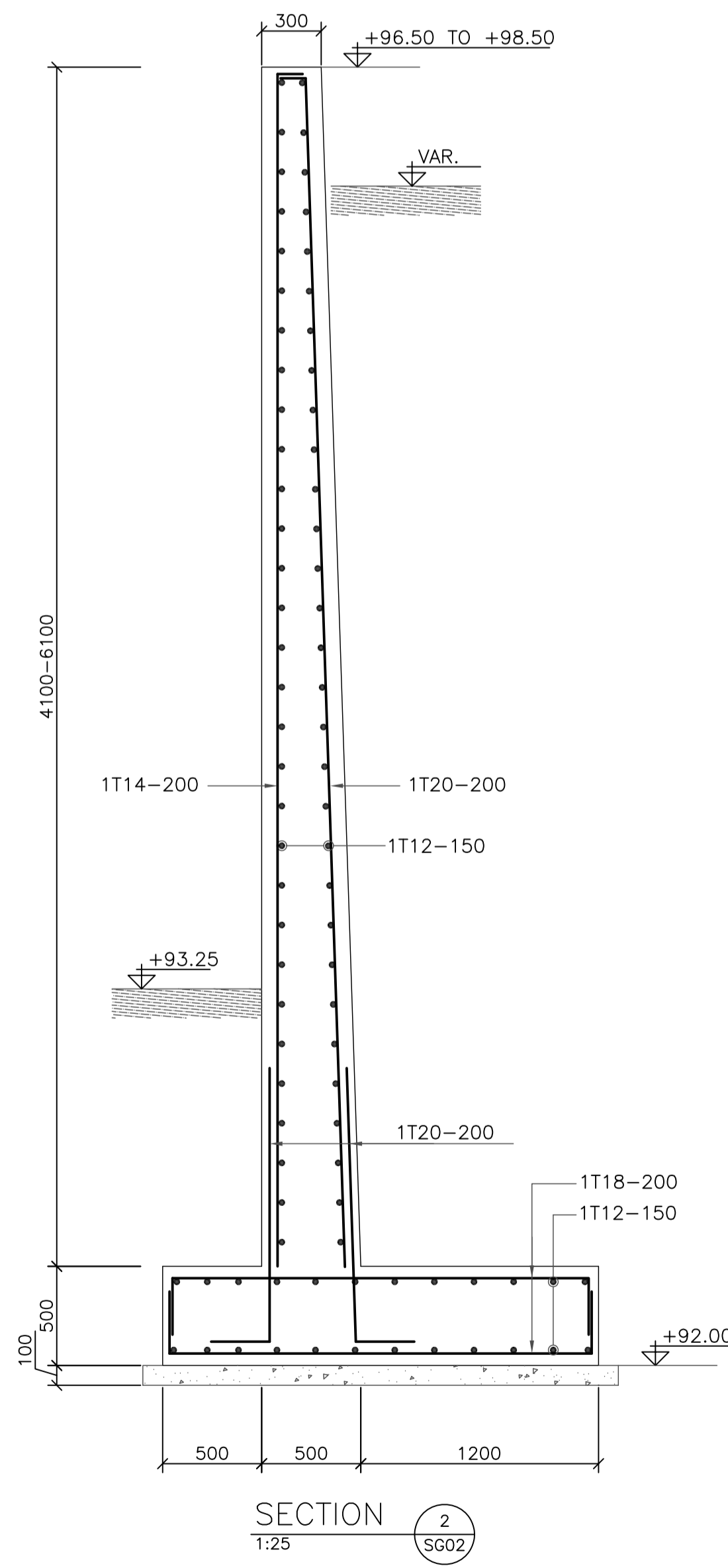
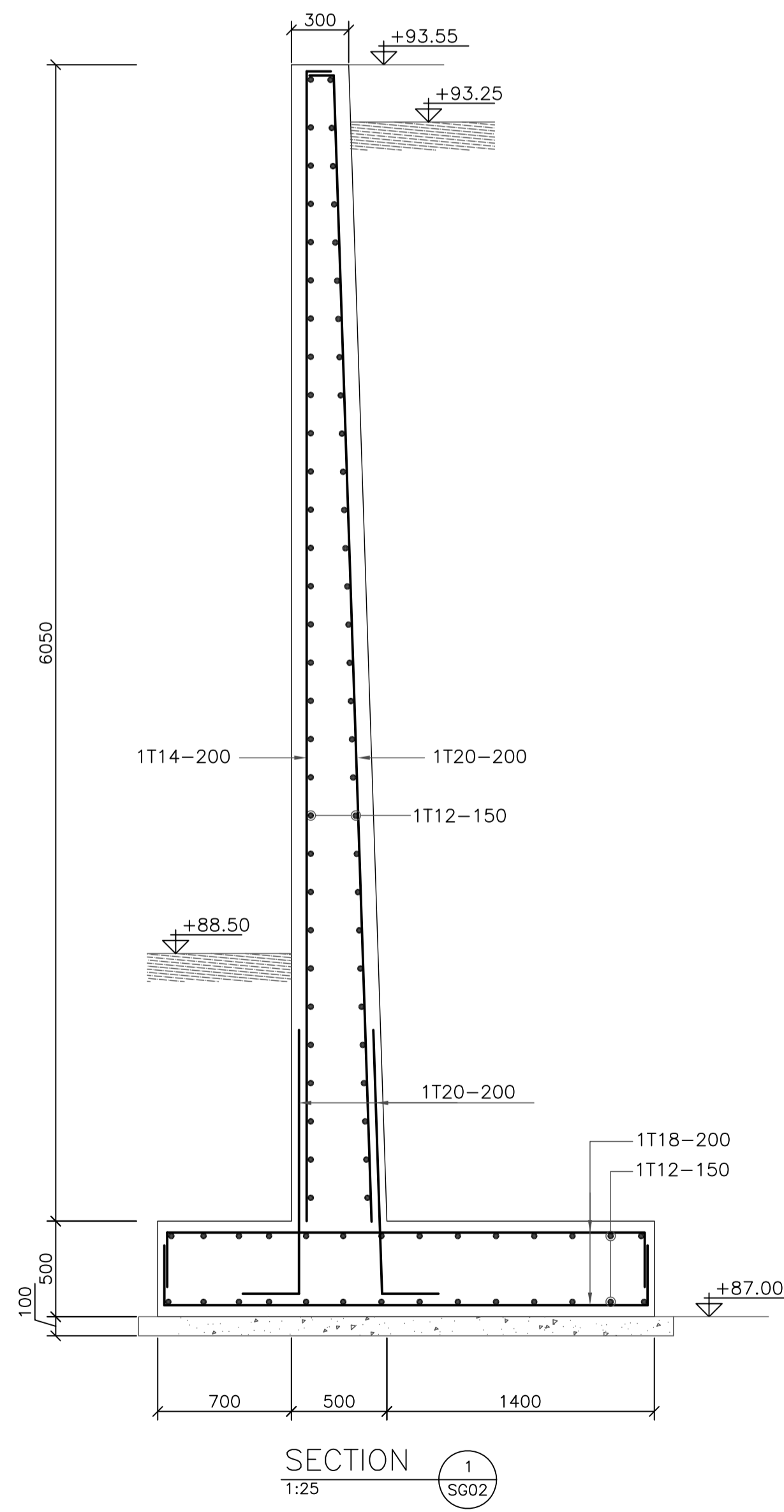
PHASE III	AL KHANSA'A BASIC MIXED SCHOOL (AL BALQA)
PACKAGE 1	SCHOOLS FOR A KNOWLEDGE ECONOMY PROJECT (USAID SKEP)

DRAWING NAME: BOUNDARY WALLS GENERAL DETAILS SHEET 2 OF 2		
PLOT No 1343.1334	LOCATION AL KARAMA	BASIN NO 1 AL BALAD AL SHARQI

Design: A.A.	Drawn: CAD	Checked: I.KH.	North:
SCALE: N.T.S.	Date: JUNE 2020	Approved: W.Z.	Rev.: 0
DRAWING NUMBER: SKEP-15-SG010			

NOTES:

- BACKFILLING IN FRONT AND BEHIND RETAINING WALLS SHALL BE DONE SIMULTANEOUSLY.
- DO NOT BACKFILL AGAINST BUILDING FOUNDATION AND RETAINING WALLS UNTIL RESTRAINING SLABS AND ADEQUATE BRACING ARE IN PLACE. ALL BACKFILL SHALL BE PLACED AND COMPACTED IN ACCORDANCE WITH SPECIFICATIONS.
- DO NOT BACKFILL AGAINST CONCRETE CANTILEVER RETAINING WALLS UNTIL CONCRETE HAS ATTAINED ITS SPECIFIED 28-DAY COMPRESSIVE STRENGTH f_{cu} . ALL BACKFILL SHALL BE PLACED AND COMPACTED IN ACCORDANCE WITH THE SPECIFICATIONS.
- FOR WEEP HOLES DETAILS REFER TO STRUCTURAL NOTES DWG. SG001
- ALL BURIED STRUCTURES SHALL BE INSULATED BY 3 COATS OF FLUID PAINT.



REV.	DATE	REMARKS
0	JUNE 2020	VOL. IV - TENDER DRAWINGS

NOTES:



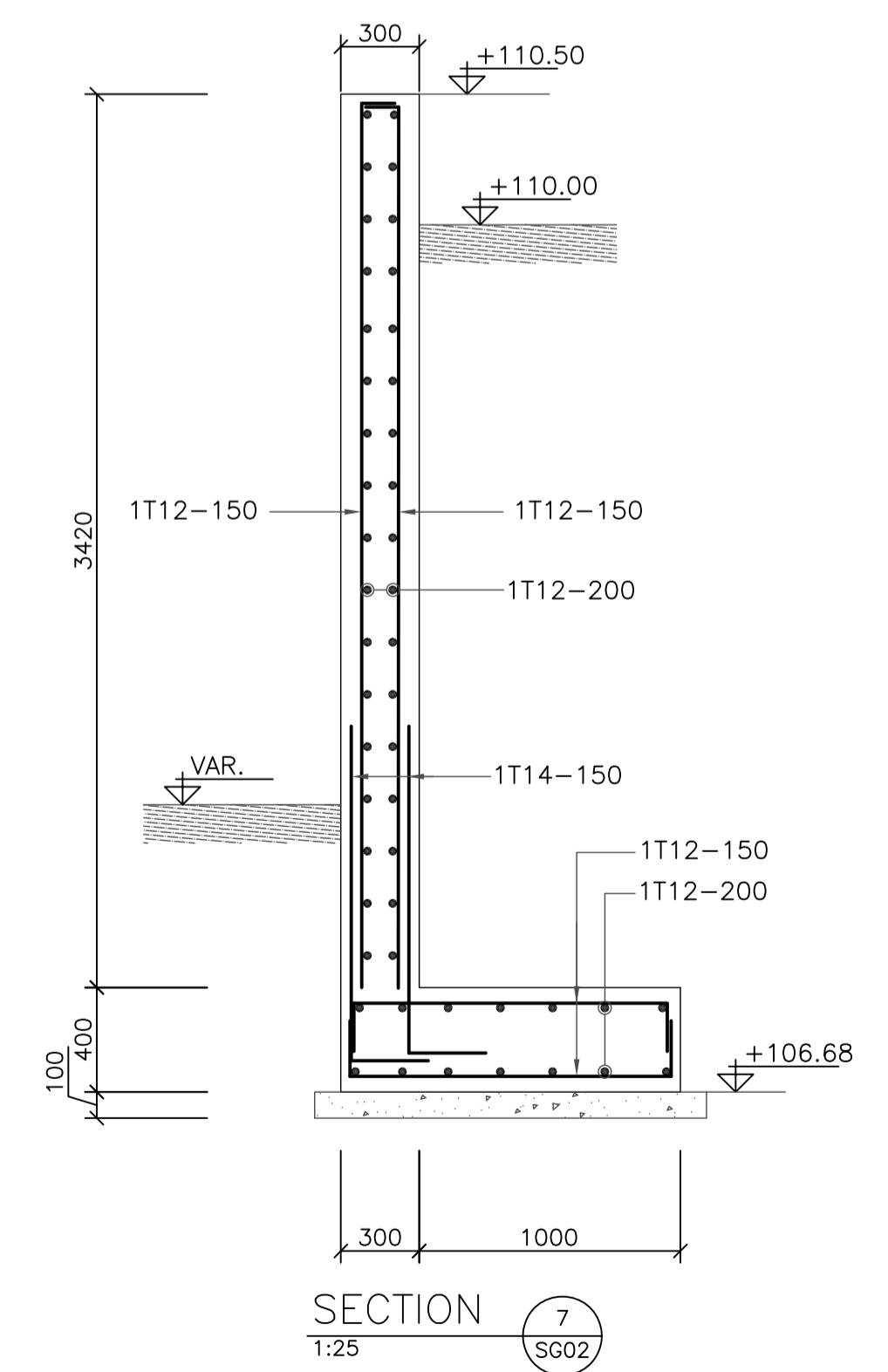
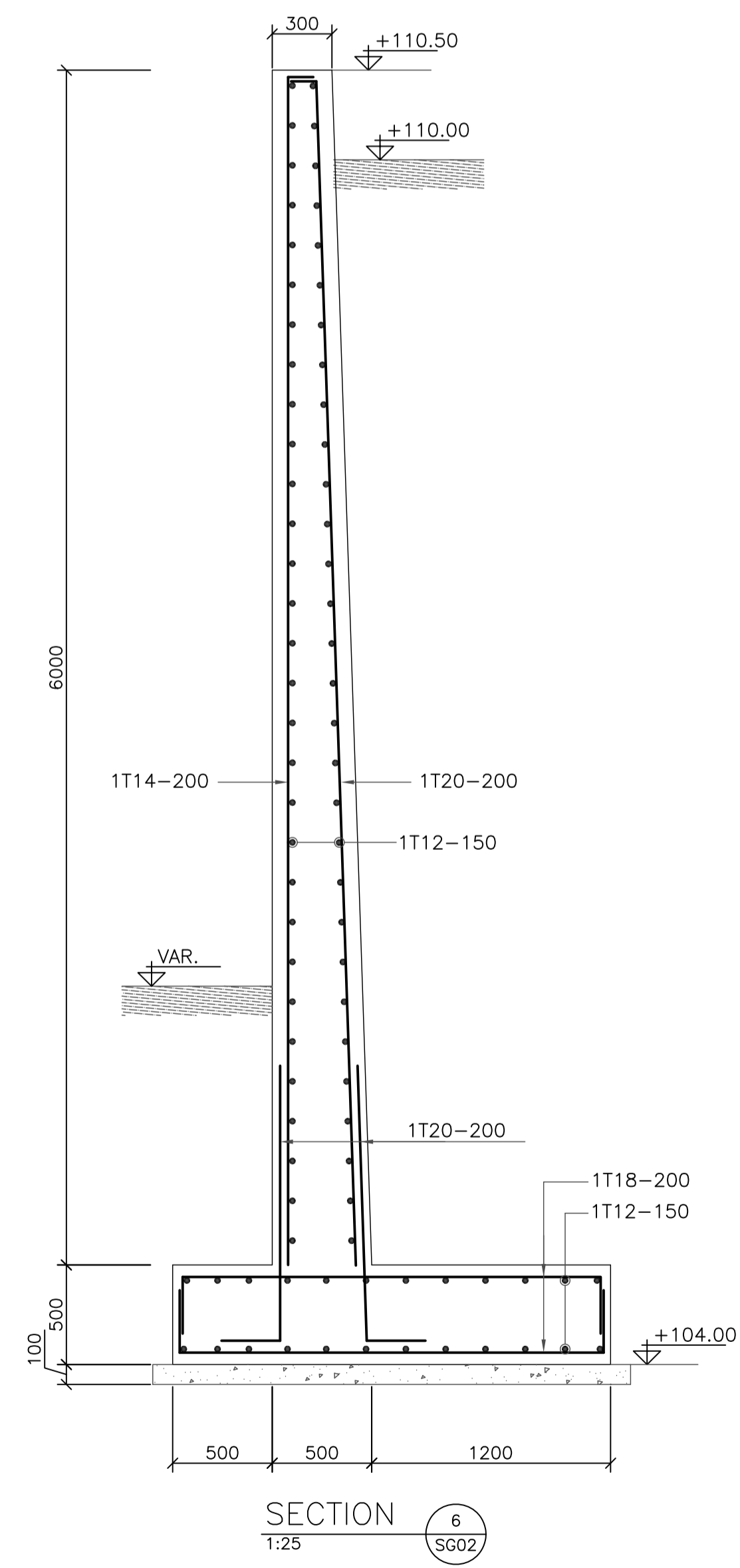
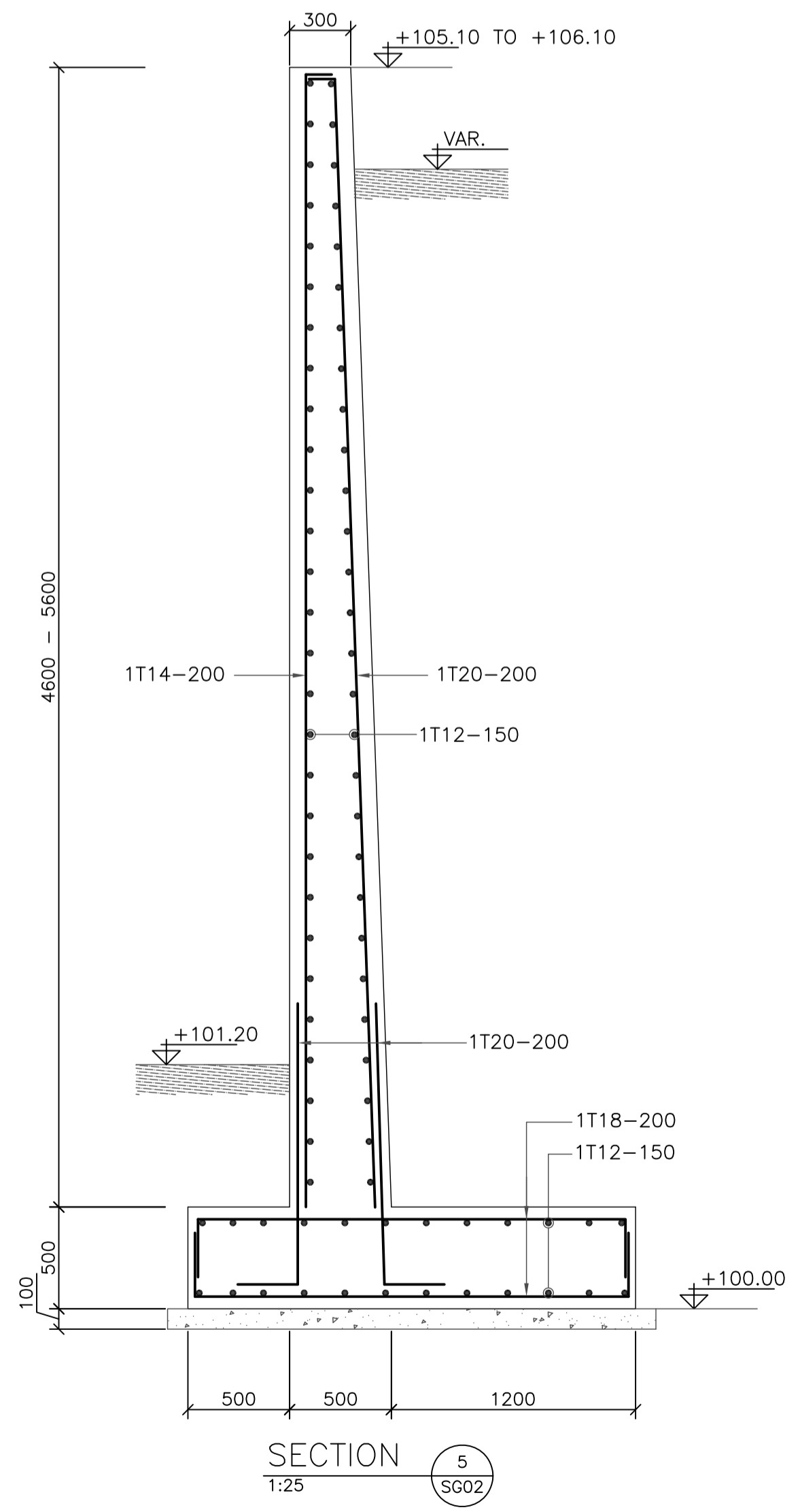
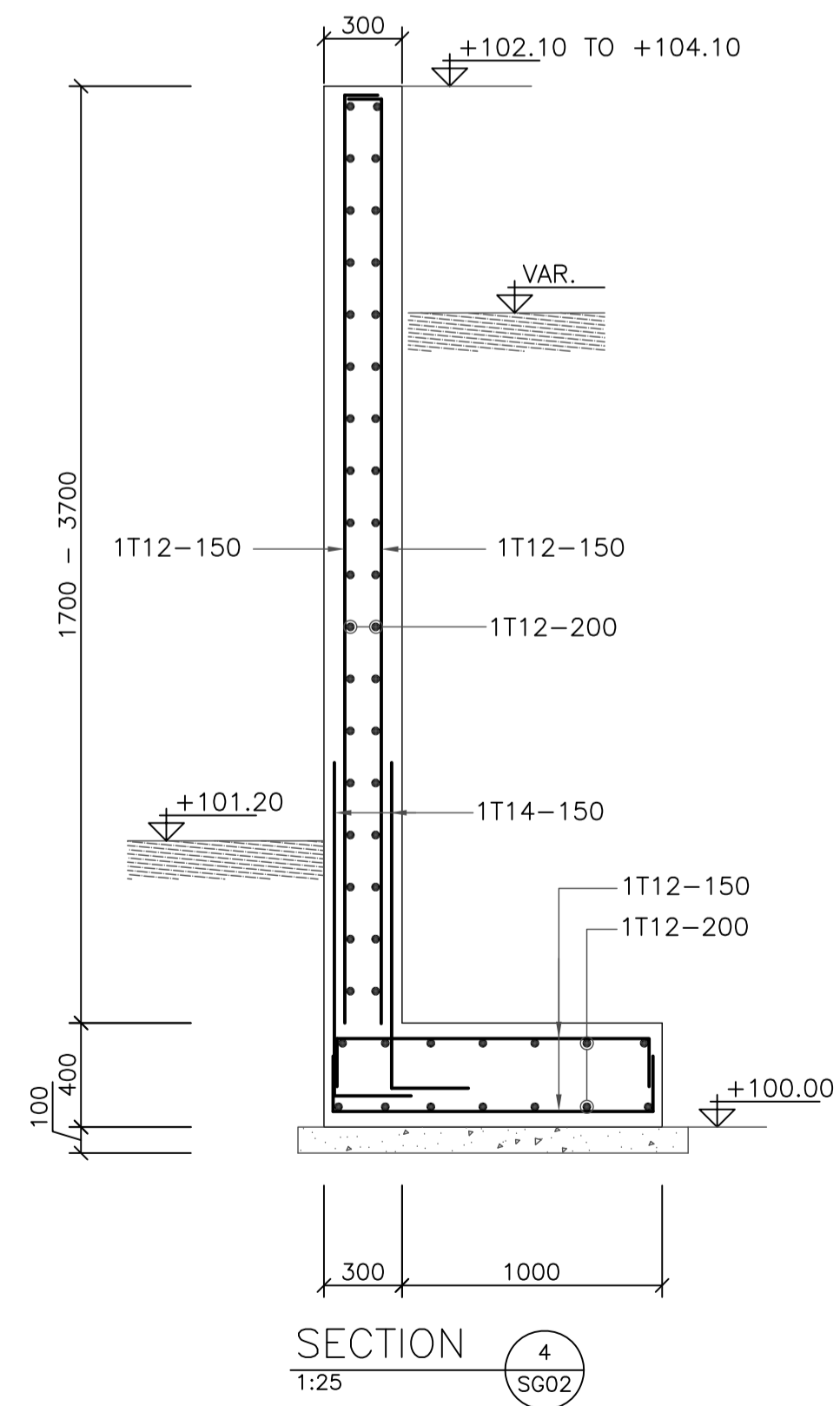
PHASE III	AL KHANSA'A BASIC MIXED SCHOOL (AL BALQA)
PACKAGE 1	SCHOOLS FOR A KNOWLEDGE ECONOMY PROJECT (USAID SKEP)

DRAWING NAME: SITE WORKS STRUCTURAL DETAILS (SHEET 1 OF 4)		
PLOT No 1343.1334	LOCATION AL KARAMA	BASIN NO 1 AL BALAD AL SHARQI

Design: A.A.	Drawn: CAD	Checked: I.KH.	North: ↑
SCALE: 1:25	Date: JUNE 2020	Approved: W.Z.	
DRAWING NUMBER: SKEP-15-SG011			Rev.: 0

NOTES:

- BACKFILLING IN FRONT AND BEHIND RETAINING WALLS SHALL BE DONE SIMULTANEOUSLY.
- DO NOT BACKFILL AGAINST BUILDING FOUNDATION AND RETAINING WALLS UNTIL RESTRAINING SLABS AND ADEQUATE BRACING ARE IN PLACE. ALL BACKFILL SHALL BE PLACED AND COMPACTED IN ACCORDANCE WITH SPECIFICATIONS.
- DO NOT BACKFILL AGAINST CONCRETE CANTILEVER RETAINING WALLS UNTIL CONCRETE HAS ATTAINED ITS SPECIFIED 28-DAY COMPRESSIVE STRENGTH f_{cu} . ALL BACKFILL SHALL BE PLACED AND COMPACTED IN ACCORDANCE WITH THE SPECIFICATIONS.
- FOR WEEP HOLES DETAILS REFER TO STRUCTURAL NOTES DWG. SG001
- ALL BURIED STRUCTURES SHALL BE INSULATED BY 3 COATS OF FLUID PAINT.



REV.	DATE	REMARKS
0	JUNE 2020	VOL. IV - TENDER DRAWINGS

NOTES:



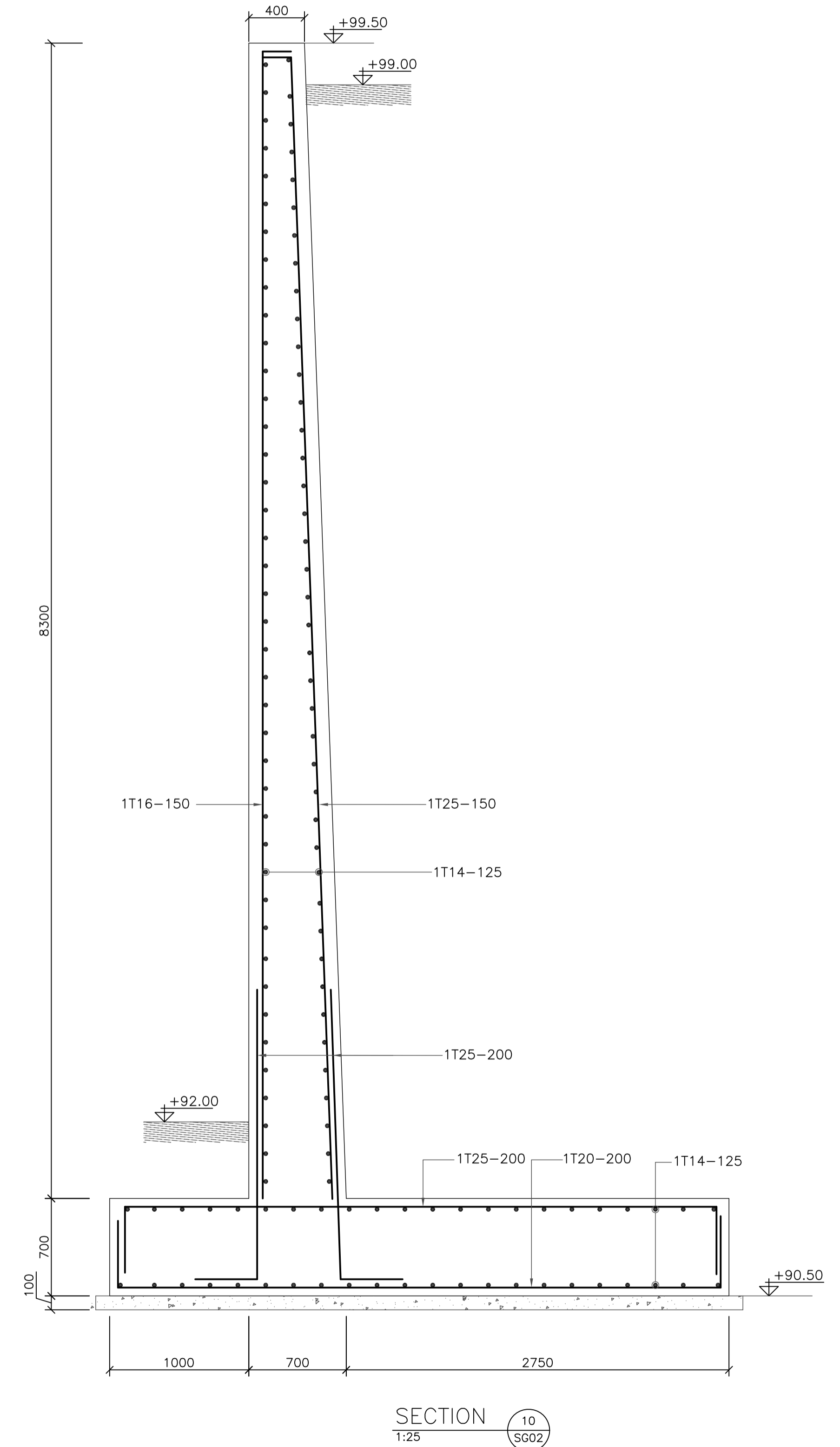
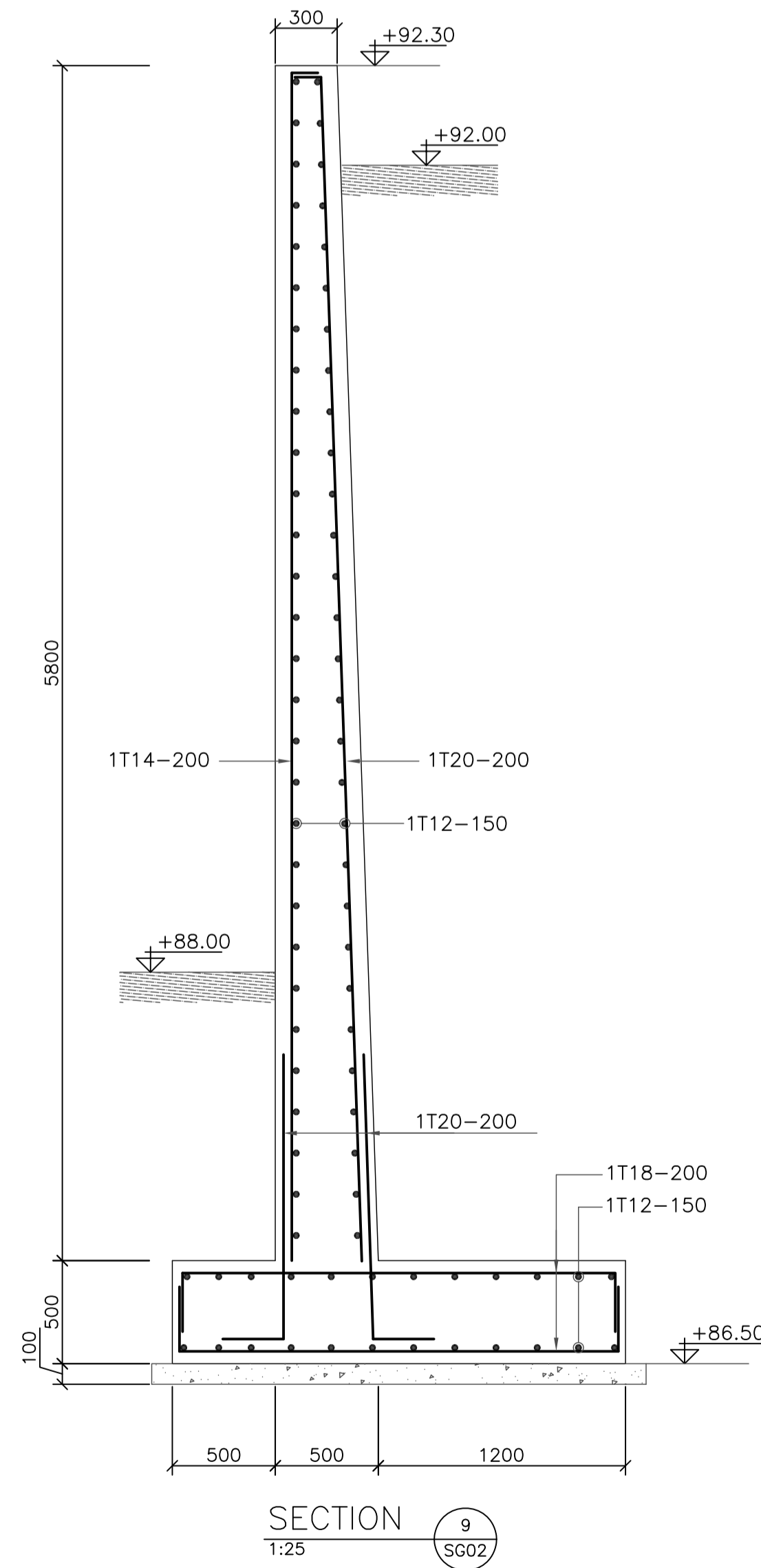
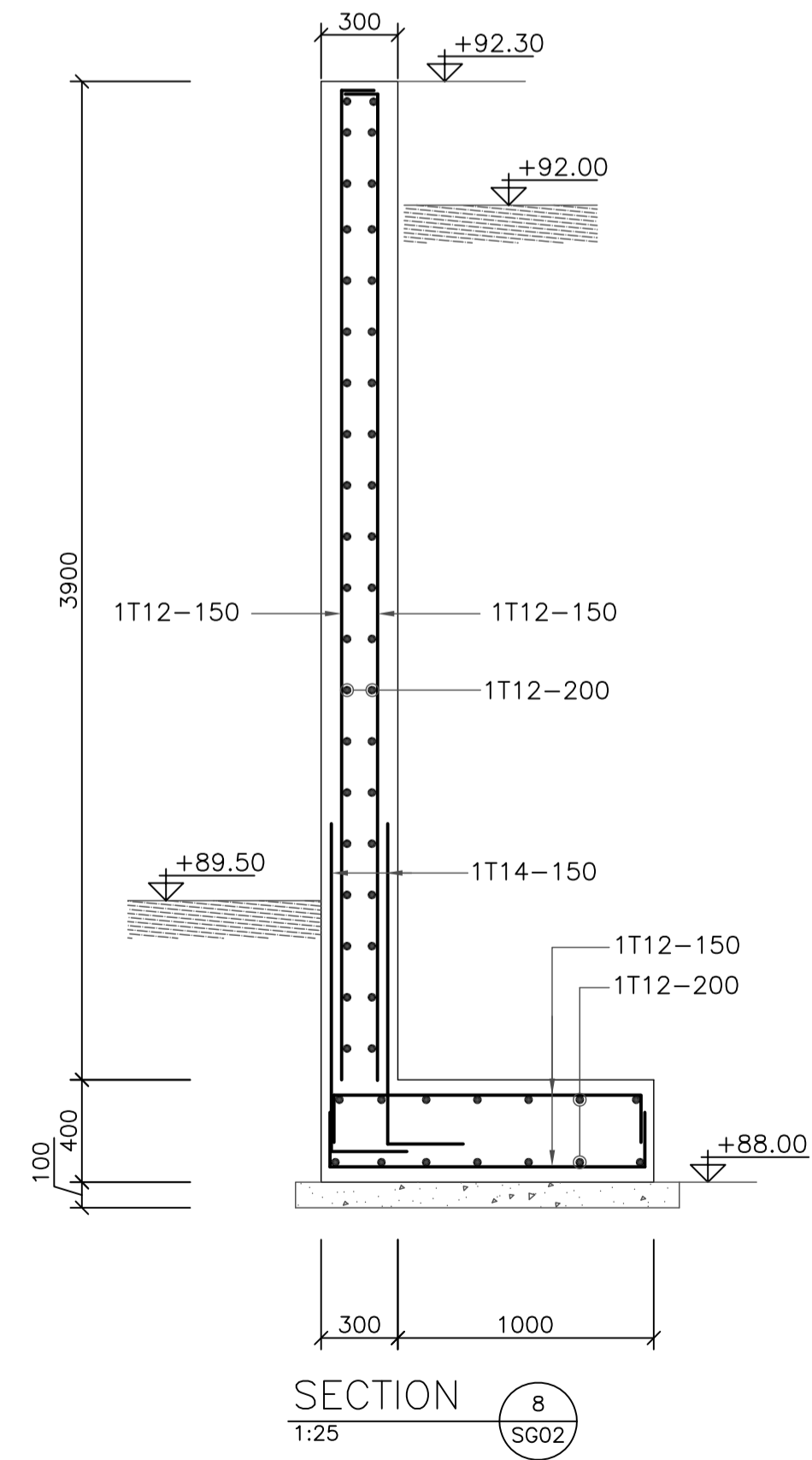
PHASE III	AL KHANSA'A BASIC MIXED SCHOOL (AL BALQA)
PACKAGE 1	SCHOOLS FOR A KNOWLEDGE ECONOMY PROJECT (USAID SKEP)

DRAWING NAME: SITE WORKS STRUCTURAL DETAILS (SHEET 2 OF 4)		
PLOT No: 1343.1334	LOCATION: AL KARAMA	BASIN NO: 1 AL BALAD AL SHARQI

Design: A.A.	Drawn: CAD	Checked: I.KH.	North: ↑
SCALE: 1:25	Date: JUNE 2020	Approved: W.Z.	
DRAWING NUMBER: SKEP-15-SG012			Rev.: 0

NOTES:

- BACKFILLING IN FRONT AND BEHIND RETAINING WALLS SHALL BE DONE SIMULTANEOUSLY.
- DO NOT BACKFILL AGAINST BUILDING FOUNDATION AND RETAINING WALLS UNTIL RESTRAINING SLABS AND ADEQUATE BRACING ARE IN PLACE. ALL BACKFILL SHALL BE PLACED AND COMPACTED IN ACCORDANCE WITH SPECIFICATIONS.
- DO NOT BACKFILL AGAINST CONCRETE CANTILEVER RETAINING WALLS UNTIL CONCRETE HAS ATTAINED ITS SPECIFIED 28-DAY COMPRESSIVE STRENGTH f_{cu} . ALL BACKFILL SHALL BE PLACED AND COMPACTED IN ACCORDANCE WITH THE SPECIFICATIONS.
- FOR WEEP HOLES DETAILS REFER TO STRUCTURAL NOTES DWG. SG001
- ALL BURIED STRUCTURES SHALL BE INSULATED BY 3 COATS OF FLUID PAINT.



REV.	DATE	REMARKS
0	JUNE 2020	VOL. IV - TENDER DRAWINGS

NOTES:



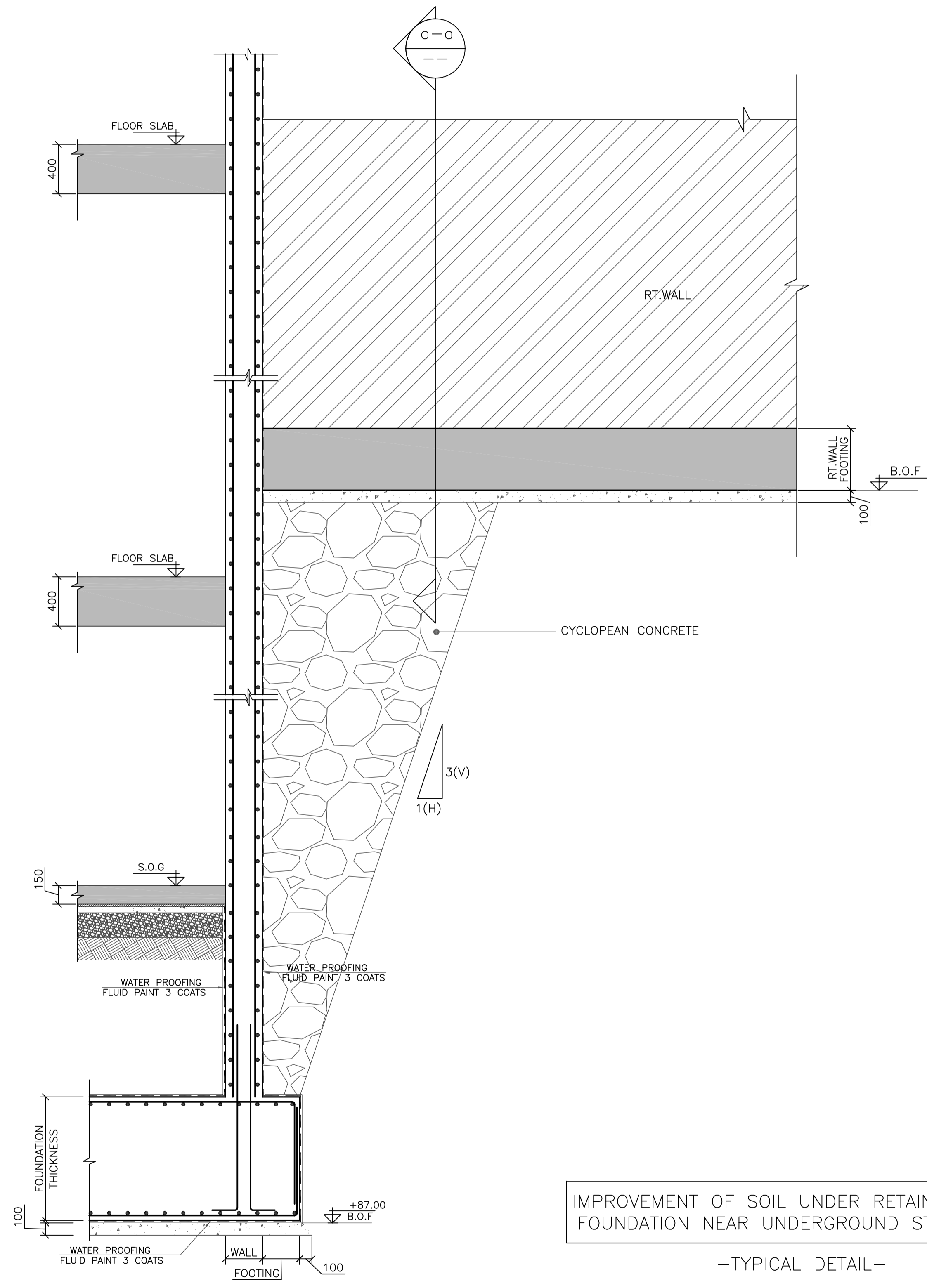
USAID
FROM THE AMERICAN PEOPLE



PHASE III	AL KHANSA'A BASIC MIXED SCHOOL (AL BALQA)
PACKAGE 1	SCHOOLS FOR A KNOWLEDGE ECONOMY PROJECT (USAID SKEP)

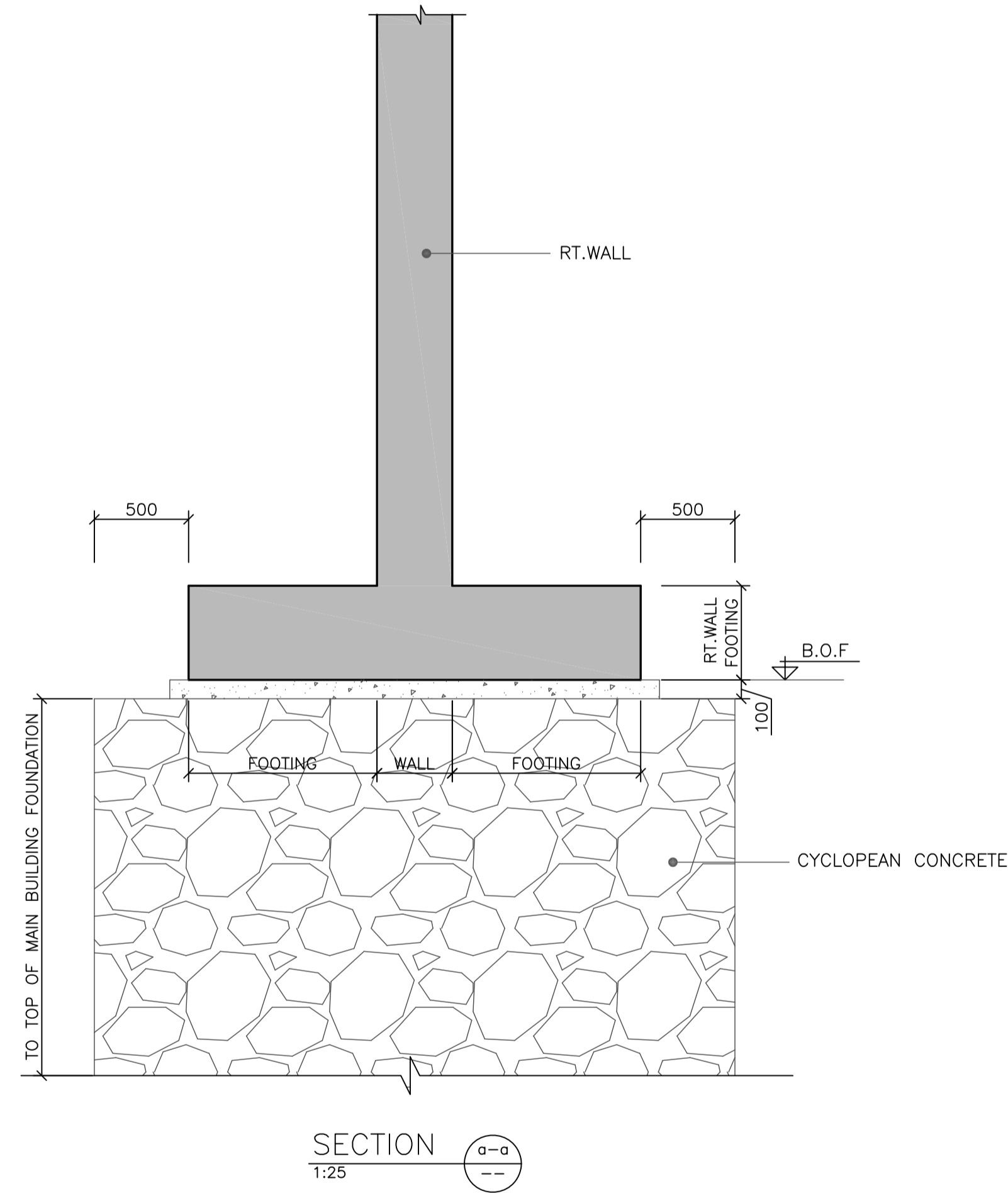
DRAWING NAME: SITE WORKS STRUCTURAL DETAILS (SHEET 3 OF 4)		
PLOT No 1343.1334	LOCATION AL KARAMA	BASIN NO 1 AL BALAD AL SHARQI

Design: A.A.	Drawn: CAD	Checked: I.KH.	North:
SCALE: 1:25	Date: JUNE 2020	Approved: W.Z.	Rev.: 0
DRAWING NUMBER: SKEP-15-SG013			



IMPROVEMENT OF SOIL UNDER RETAINING WALLS
FOUNDATION NEAR UNDERGROUND STRUCTURES

-TYPICAL DETAIL-

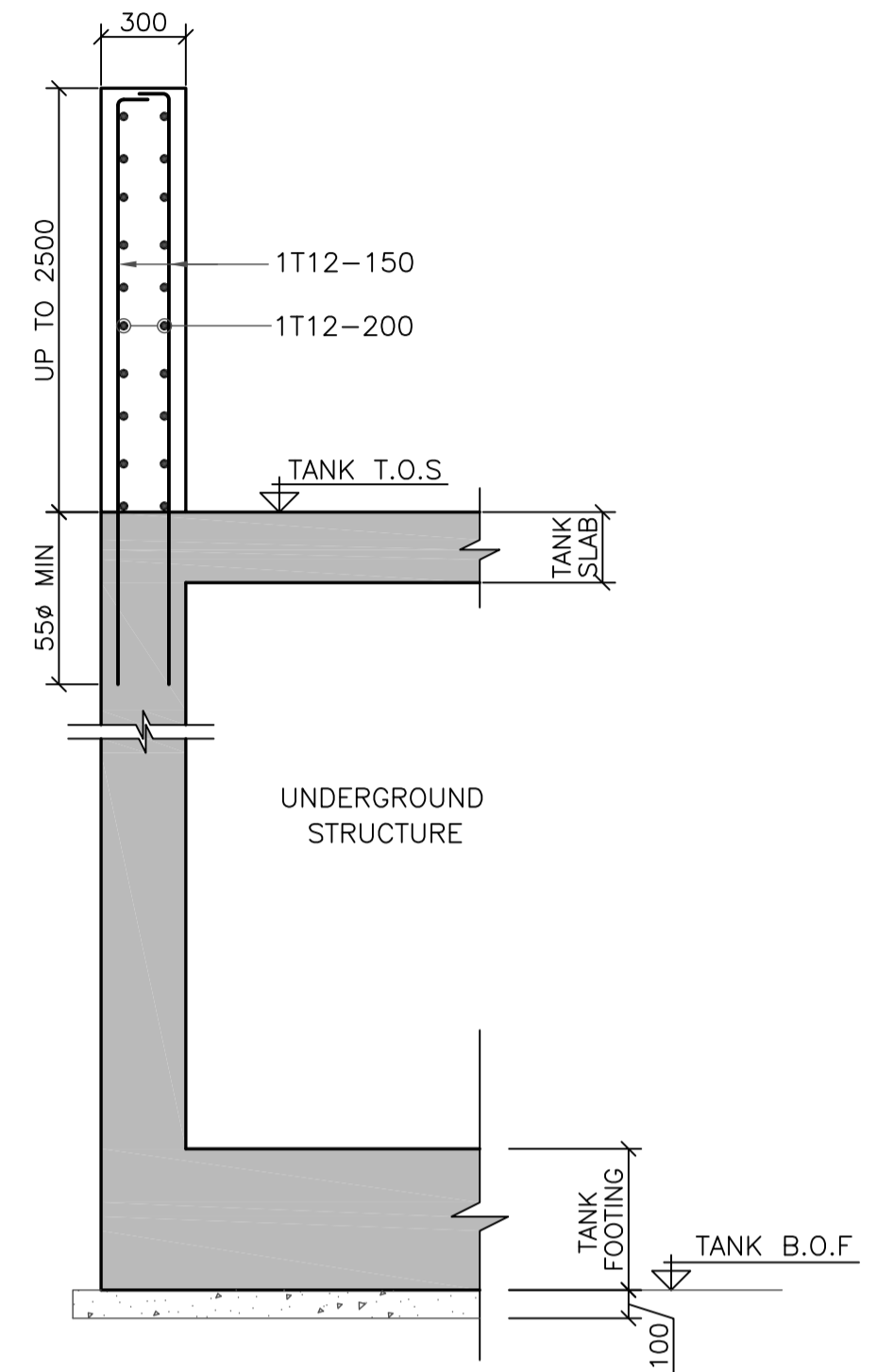


SECTION 1:25

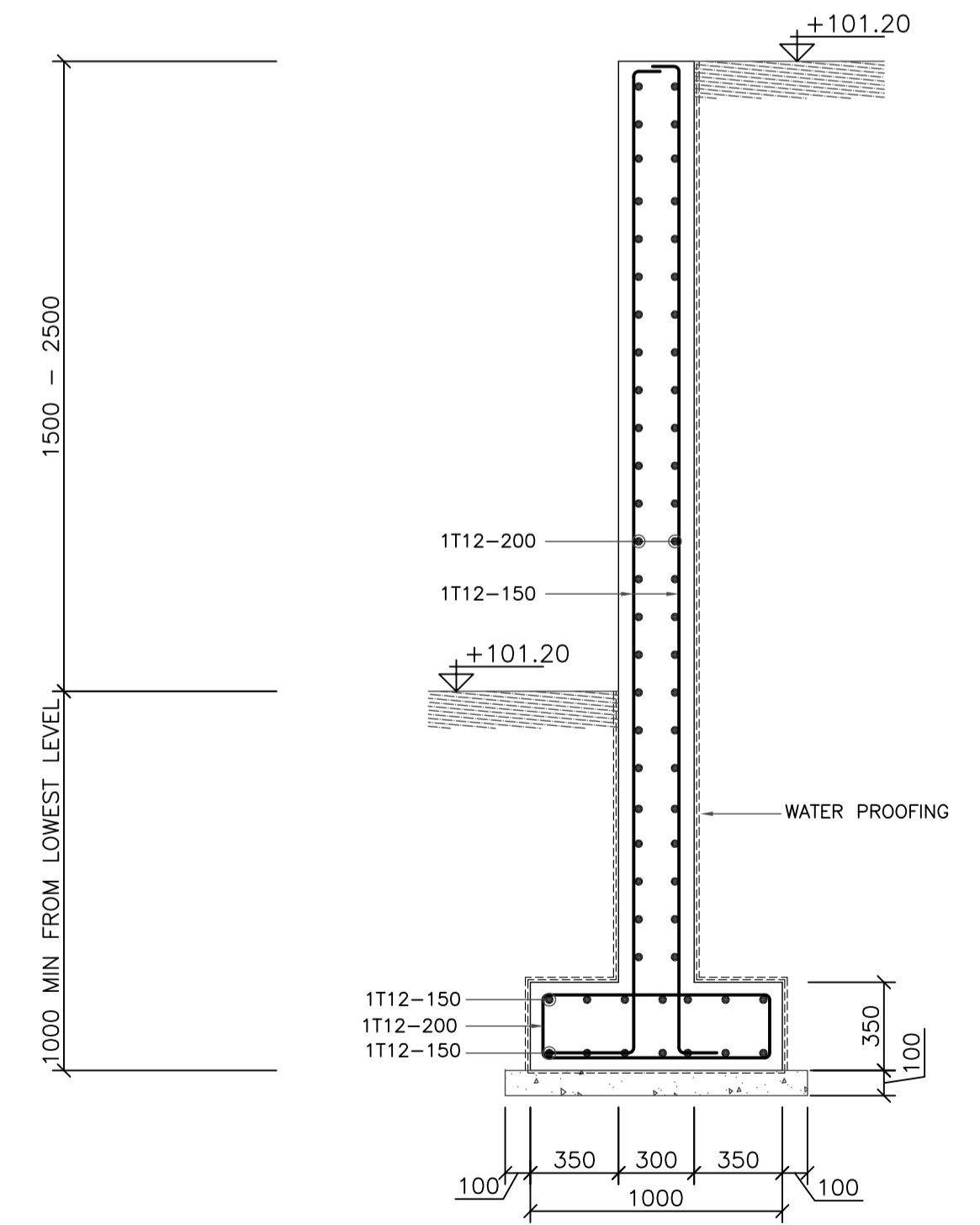
NOTE: THIS DETAIL MAY BE VALED IN THE CONNECTION AREAS BETWEEN
SITE RETAINING WALLS AND BOUNDARY WALLS

NOTES:

- 1- FOR SITE STRUCTURAL DETAILS OF PARAPETS(<1.5m), RAMPS, SLABS ON GRADE, etc. REFER TO ARCHITECTURAL BOOK OF DETAILS AND SITE.
- 2- FOR FOOTINGS OF SITE STRUCTURES, THE MINIMUM EMBEDMENT DEPTH SHOULD NOT BE LESS THAN 1.0m BELOW THE LOWEST LEVEL OF GROUND SURROUNDING THE STRUCTURE.
- 3- ALL BURIED STRUCTURES SHALL BE INSULATED BY 3 COATS OF FLUID PAINT.



DETAIL OF PARAPETS OF BOUNDARY
WALLS ABOVE WATER TANKS



DETAIL OF PARAPETS EXCEEDING 1.5m
DIFFERENCE IN LEVELS WITHIN THE SITE

REV.	DATE	REMARKS
0	JUNE 2020	VOL. IV - TENDER DRAWINGS

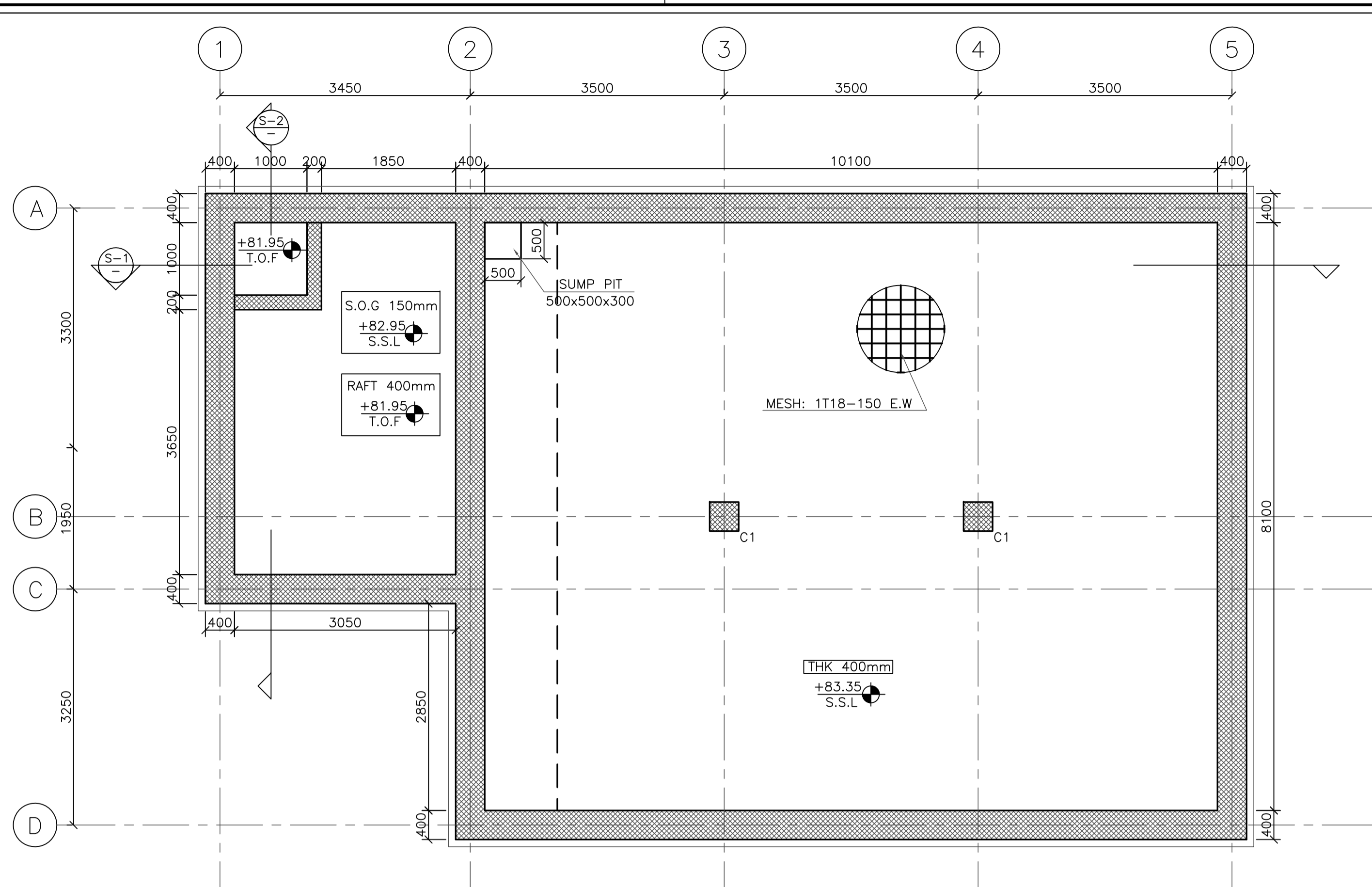
NOTES:



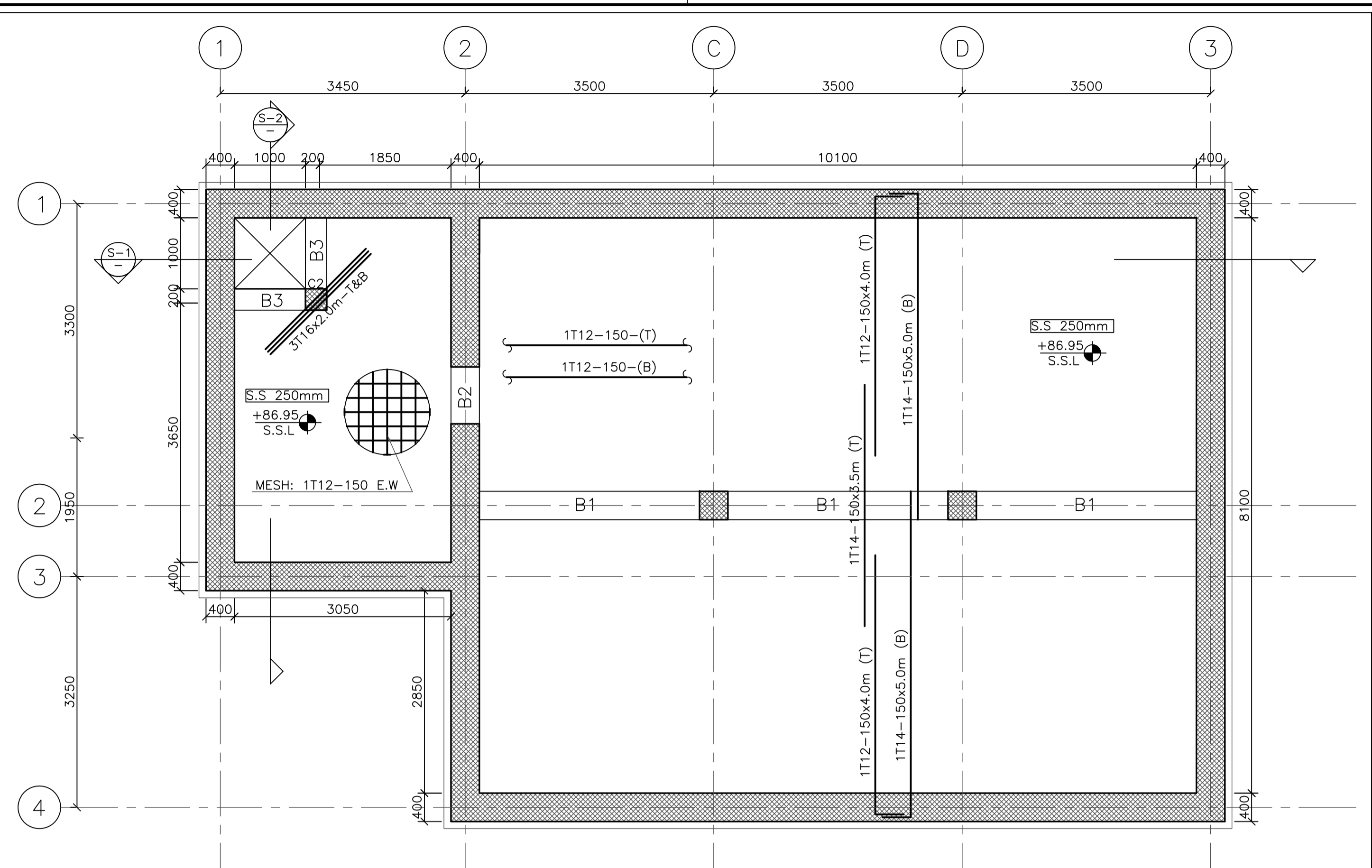
PHASE III	AL KHANSA'A BASIC MIXED SCHOOL (AL BALQA)
PACKAGE 1	SCHOOLS FOR A KNOWLEDGE ECONOMY PROJECT (USAID SKEP)

DRAWING NAME: SITE WORKS STRUCTURAL DETAILS (SHEET 4 OF 4)	
PLOT No 1343.1334	LOCATION AL KARAMA
BASIN NO 1 AL BALAD AL SHARQI	

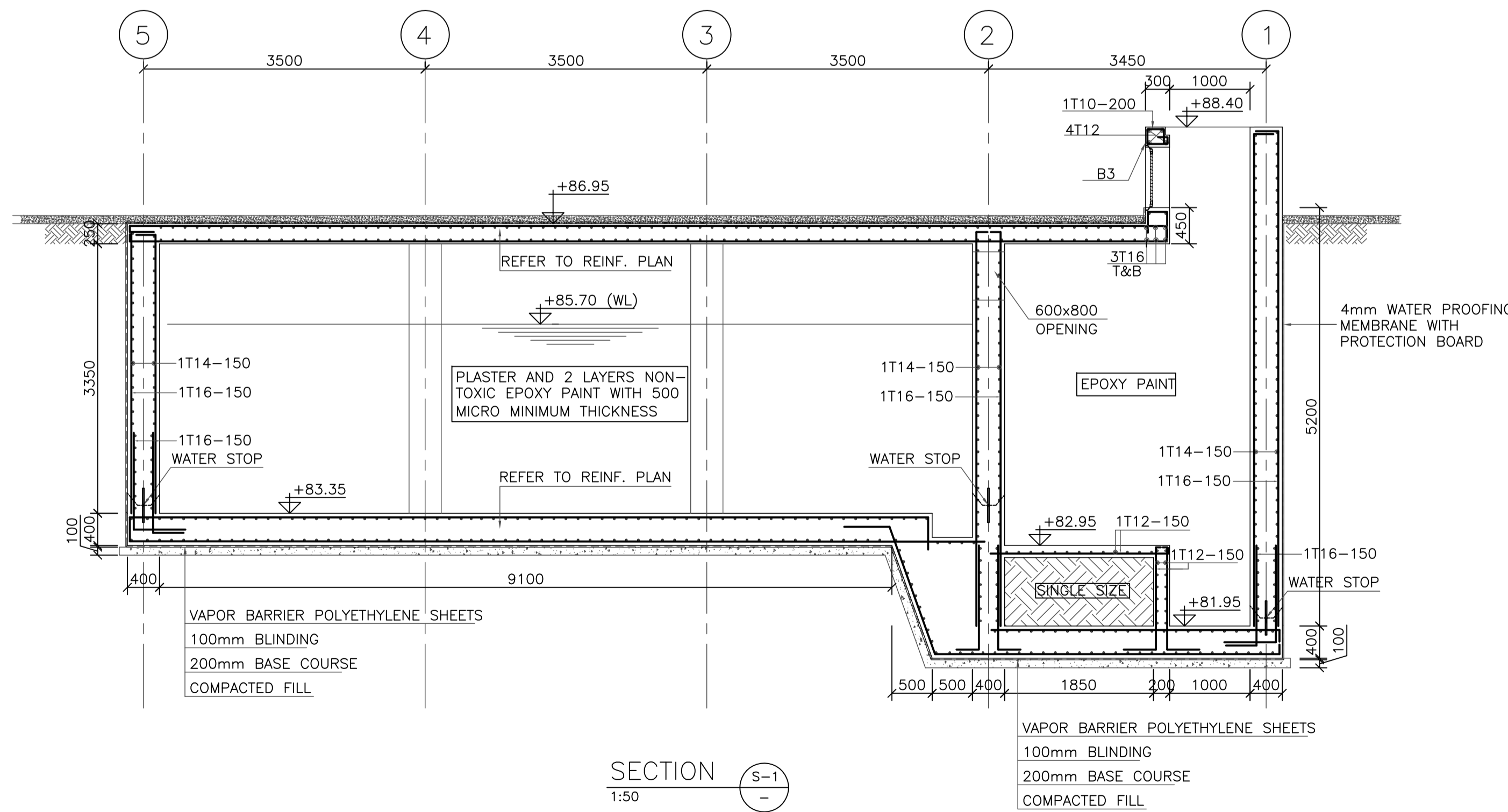
Design: A.A.	Drawn: CAD	Checked: I.KH.	North: ↑
SCALE: 1:25	Date: JUNE 2020	Approved: W.Z.	
DRAWING NUMBER: SKEP-15-SG014		Rev.:	0



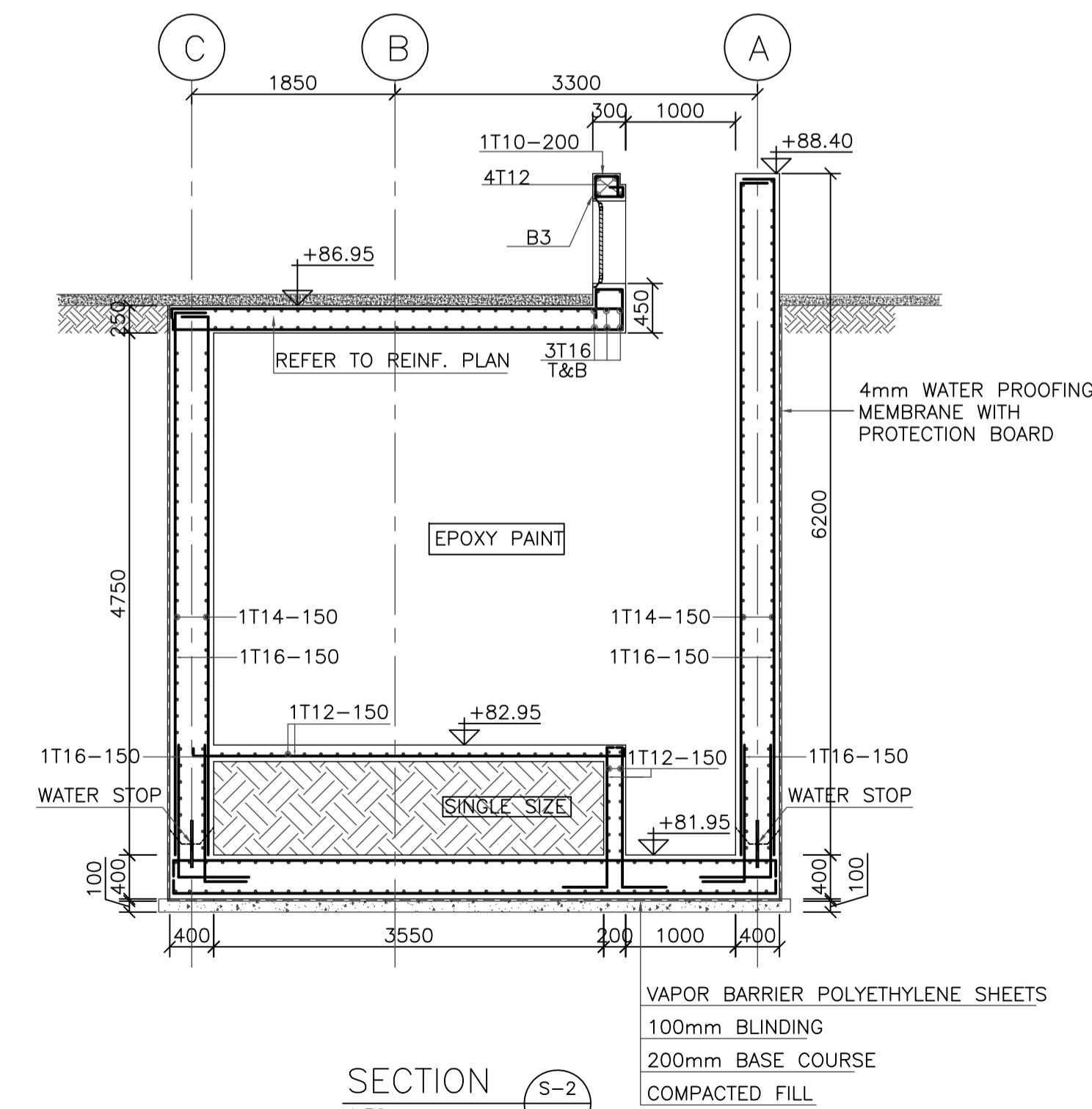
FOUNDATION FRAMING PLAN
1:50



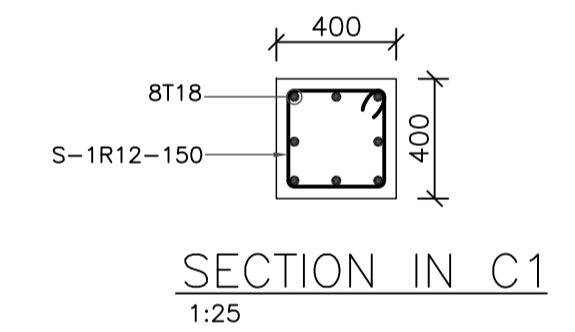
ROOF FLOOR FRAMING PLAN
1:50



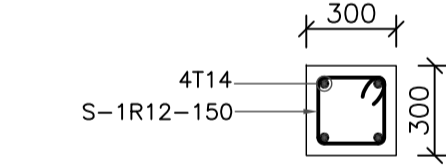
SECTION S-1
1:50



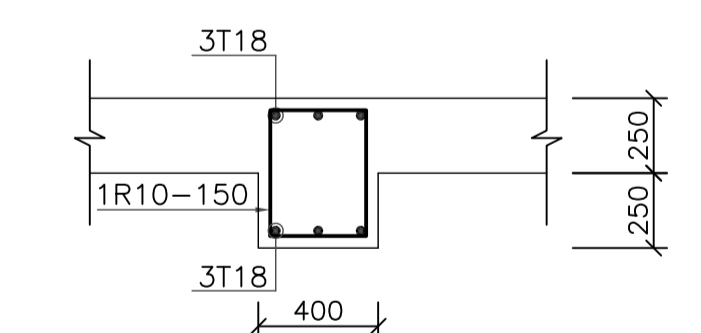
SECTION S-2
1:50



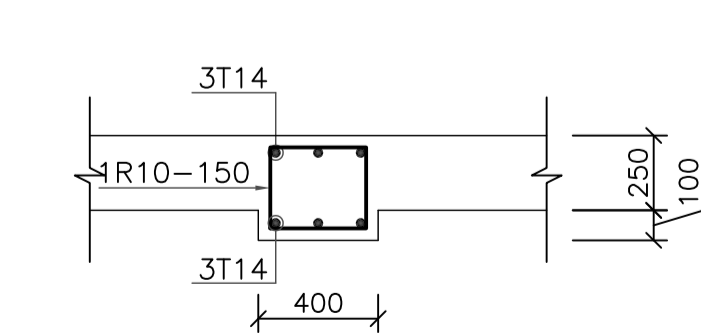
SECTION IN C1
1:25



SECTION IN C2
1:25



SECTION IN B1
1:25



SECTION IN B2
1:25

REV.	DATE	REMARKS
0	JUNE 2020	VOL. IV - TENDER DRAWINGS

NOTES:



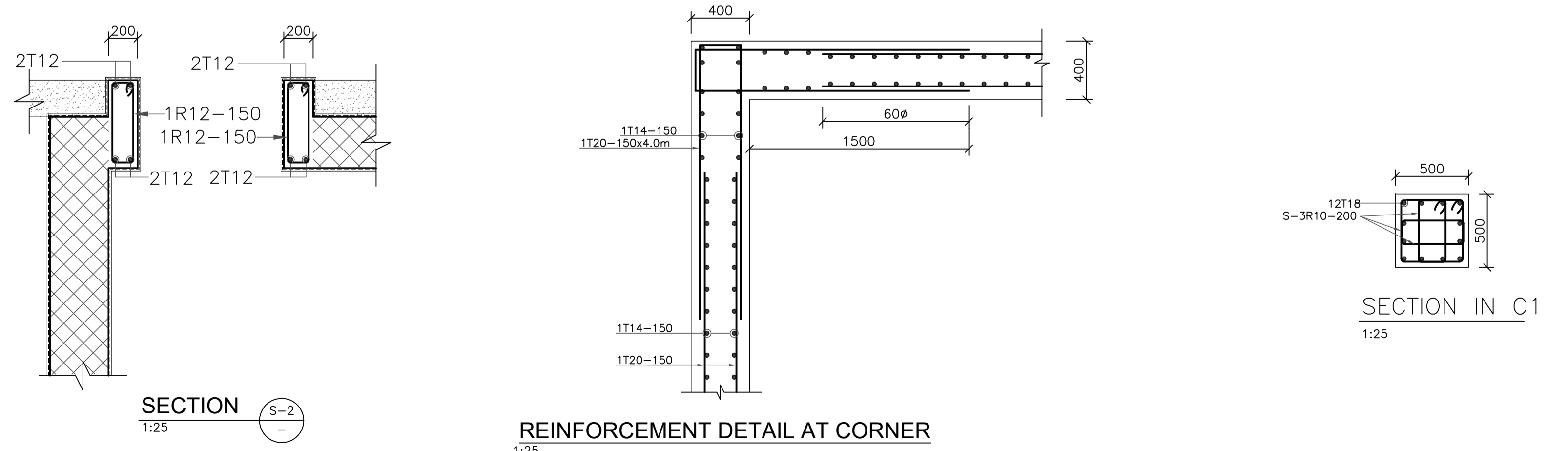
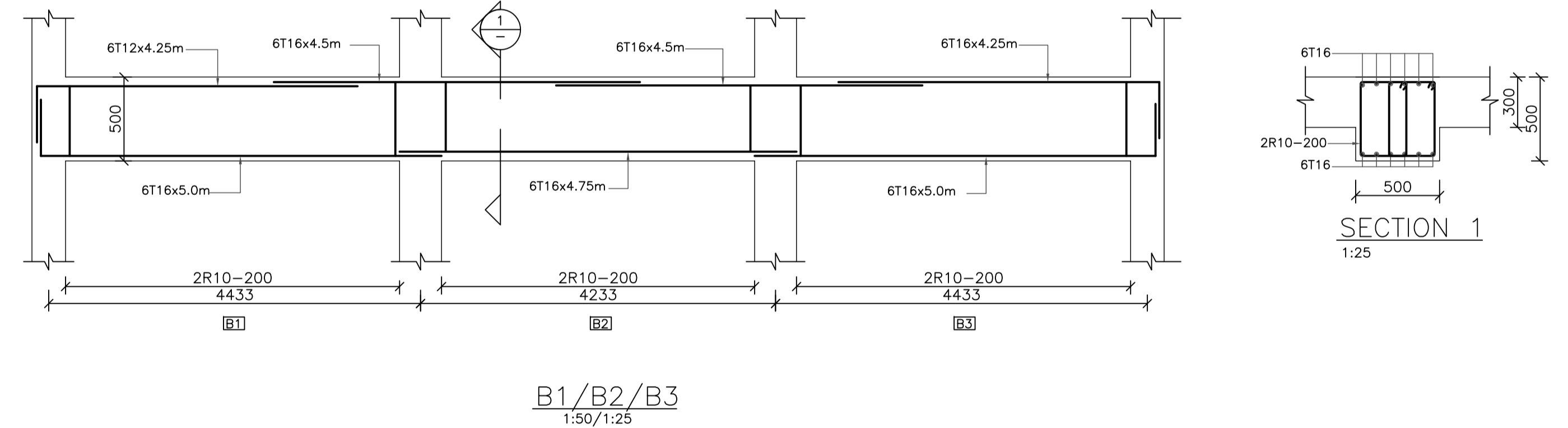
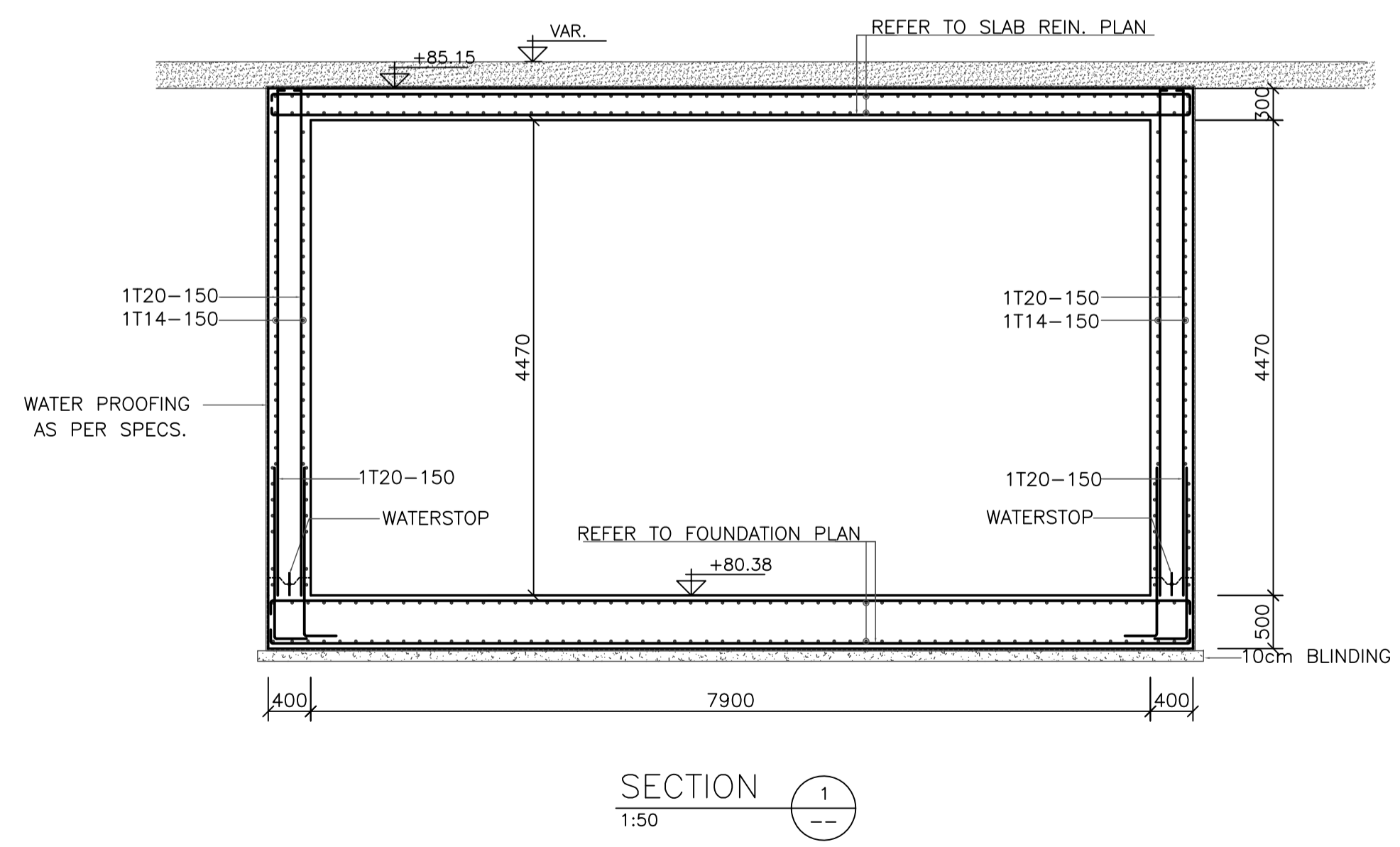
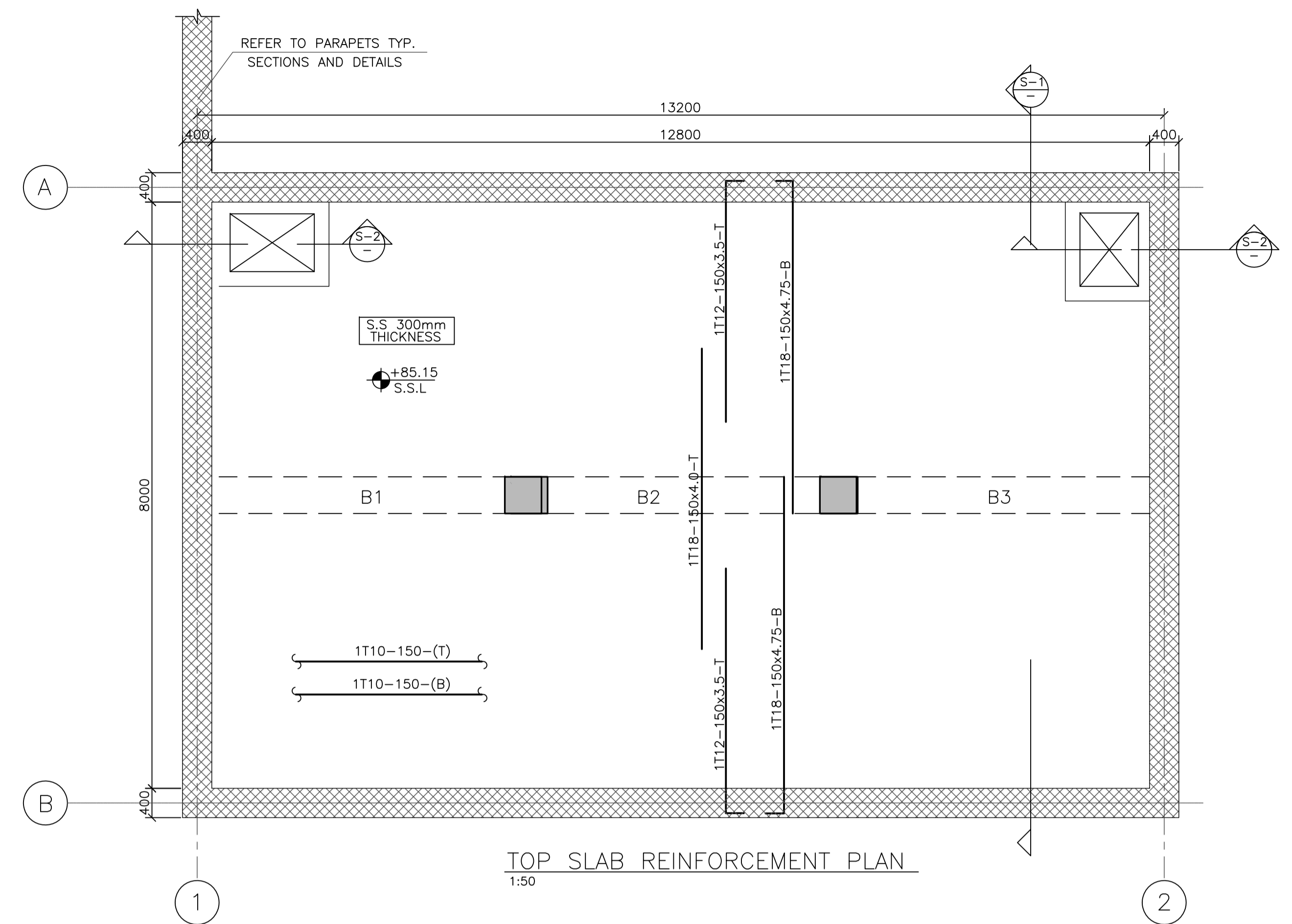
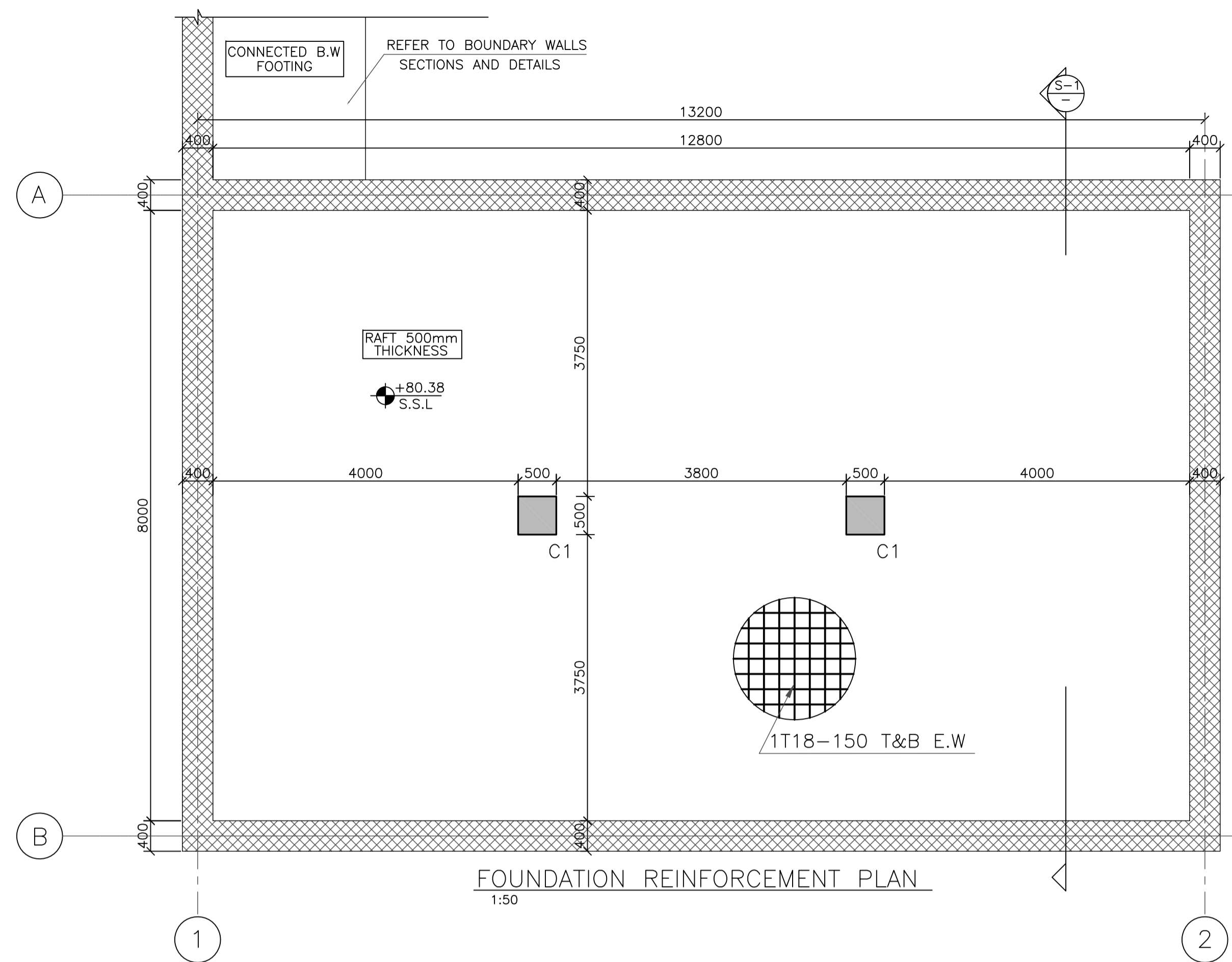
USAID
FROM THE AMERICAN PEOPLE



PHASE III	AL KHANSA'A BASIC MIXED SCHOOL (AL BALQA)
PACKAGE 1	SCHOOLS FOR A KNOWLEDGE ECONOMY PROJECT (USAID SKEP)

DRAWING NAME: UNDERGROUND WATER TANK STRUCTURAL DETAILS		
PLOT No 1343.1334	LOCATION AL KARAMA	BASIN NO 1 AL BALAD AL SHARQI

Design: A.A.	Drawn: CAD	Checked: I.KH.	North: ↑
SCALE: A.SH	Date: JUNE 2020	Approved: W.Z.	
DRAWING NUMBER: SKEP-15-SG016			Rev.: 0



REV.	DATE	REMARKS
0	JUNE 2020	VOL. IV - TENDER DRAWINGS

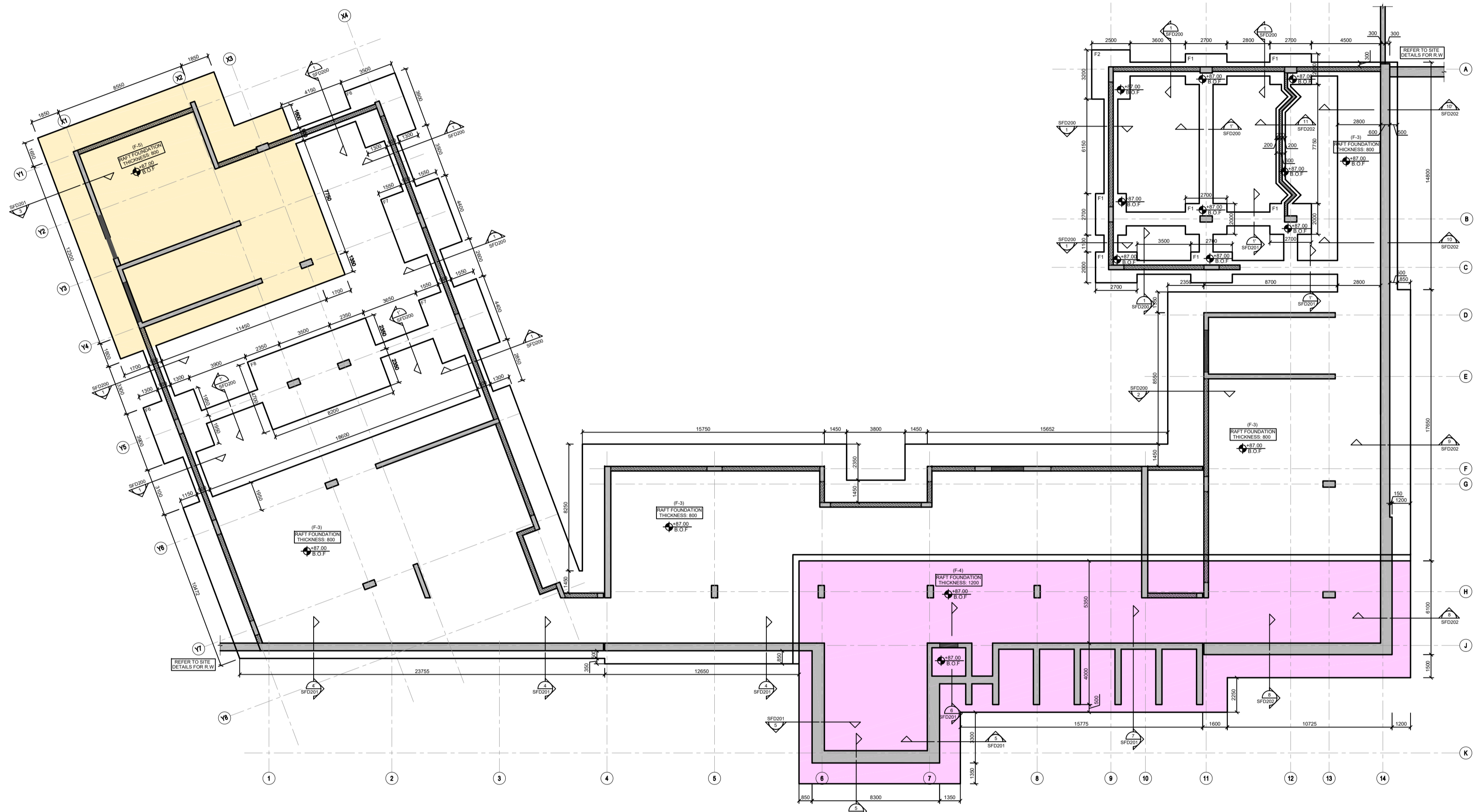
NOTES:



PHASE III
AL KHANSA'A BASIC MIXED SCHOOL (AL BALQA)
PACKAGE 1
SCHOOLS FOR A KNOWLEDGE ECONOMY PROJECT (USAID SKEP)

DRAWING NAME:
UNDERGROUND SEWAGE TANK STRUCTURAL DETAILS
PLOT No: 1343.1334
LOCATION: AL KARAMA
BASIN NO: 1 AL BALAD AL SHARQI

Design: A.A.
Drawn: CAD
Checked: I.KH.
Scale: A.SH
Date: JUNE 2020
Approved: W.Z.
DRAWING NUMBER: **SKEP-15-SG017**
Rev.: 0



REV.	DATE	REMARKS
0	JUNE 2020	VOL. IV - TENDER DRAWINGS

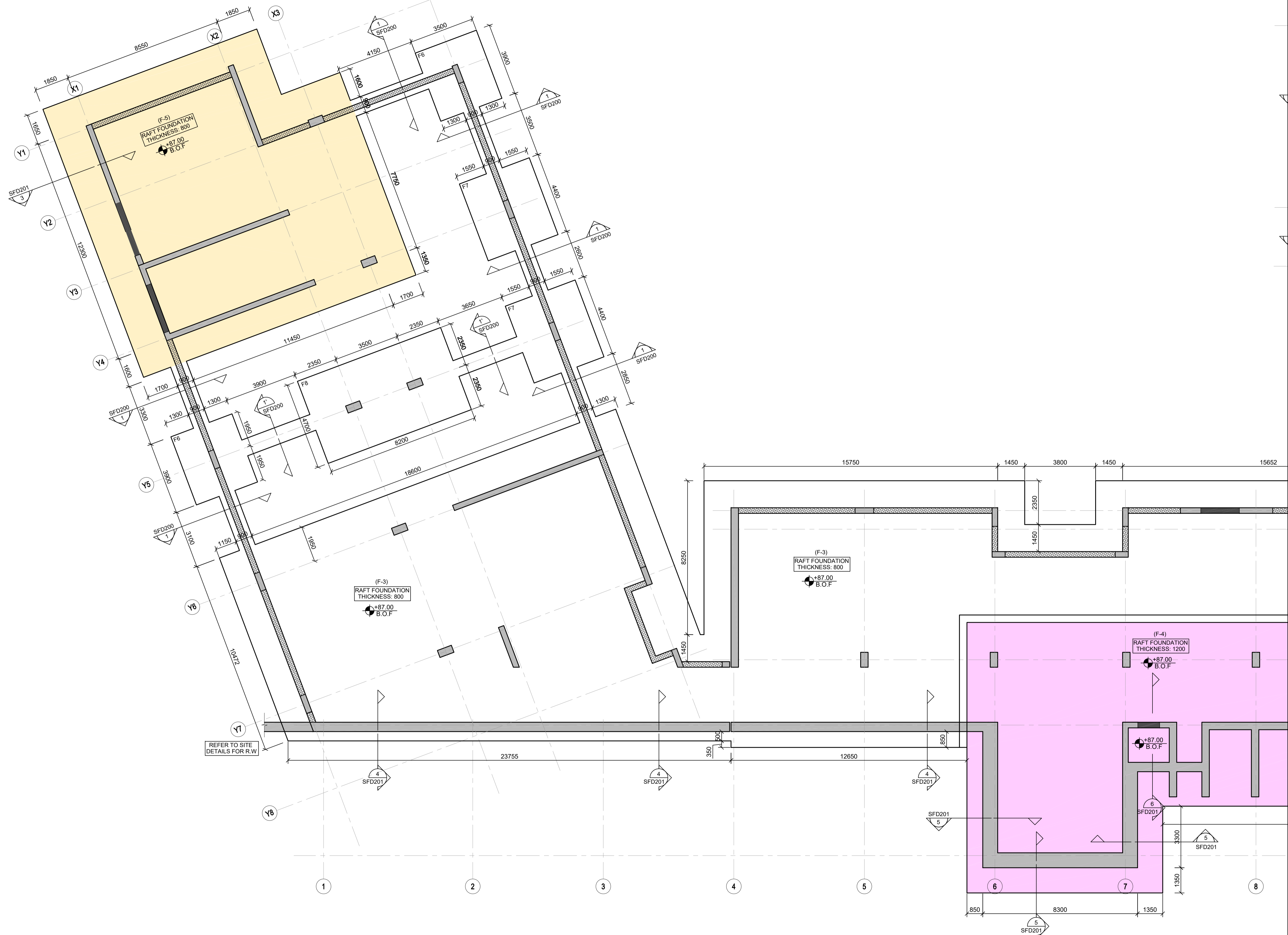
NOTES:
 ANY SITE WORK (RETAINING WALLS, PLANTERS WALLS, etc.) CONNECTED TO THE BUILDING IS SHOWN IN THIS DRAWING FOR INDICATION ONLY. REFER TO SITE DETAILS DRAWINGS FOR EXACT DIMENSIONS, LOCATION AND DETAILS.



PHASE III
 AL KHANSA'A BASIC MIXED SCHOOL (AL BALQA)
 PACKAGE 1
 SCHOOLS FOR A KNOWLEDGE ECONOMY PROJECT (USAID SKEP)

DRAWING NAME:
FOUNDATION FRAMING PLAN (GENERAL)
 PLOT No: 1343.1334
 LOCATION: AL KARAMA
 BASIN NO: 1 AL BALAD AL SHARQI

Design: A.A.	Drawn: CAD	Checked: I.K.H.	North:
SCALE: 1:200	Date: JUNE 2020	Approved: W.Z.	
DRAWING NUMBER: SKEP-15-SFP100			Rev.: 0



REV.	DATE	REMARKS
0	JUNE 2020	VOL. IV - TENDER DRAWINGS

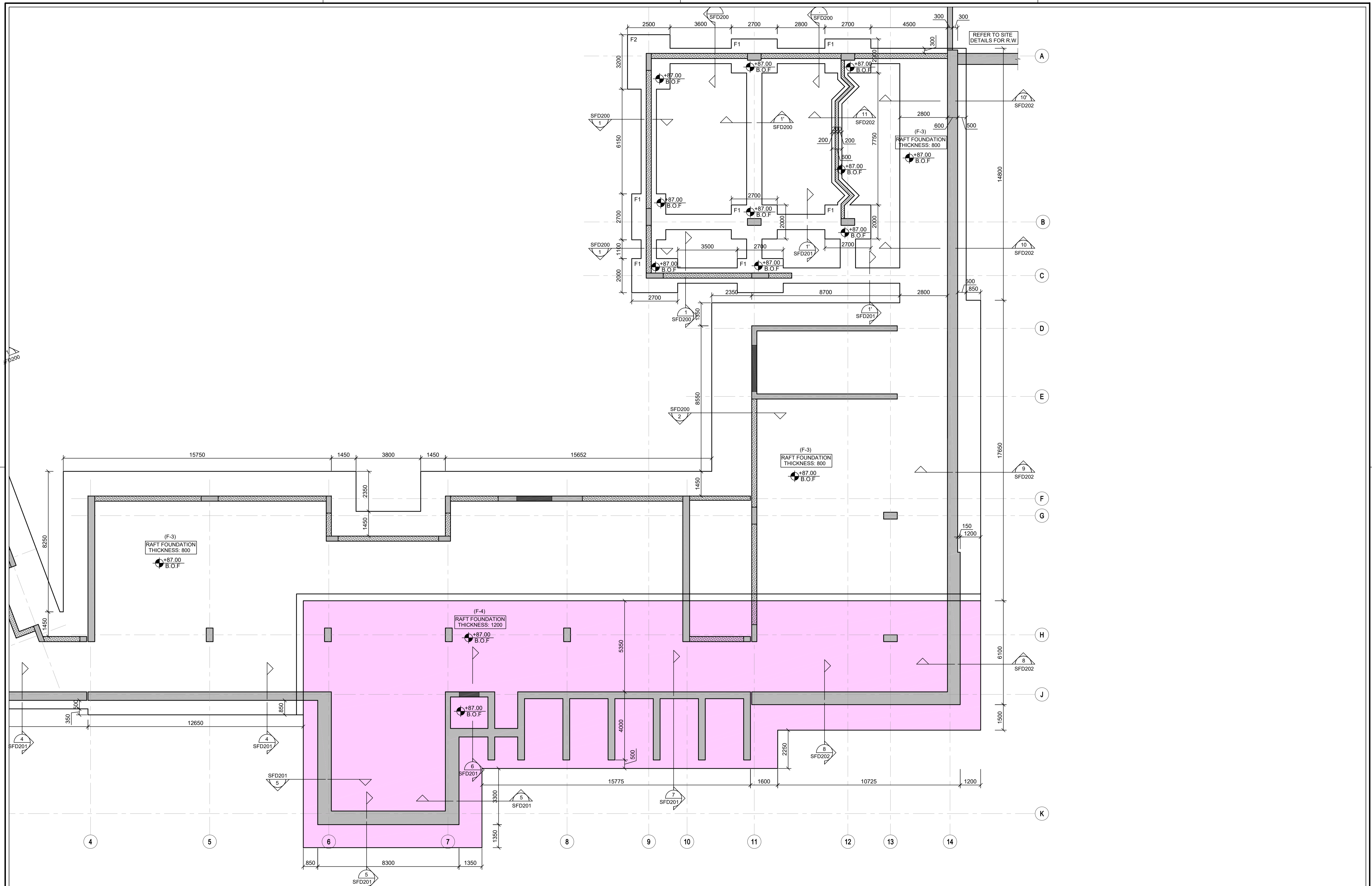
NOTES:
 ANY SITE WORK (RETAINING WALLS, PLANTERS WALLS, etc.) CONNECTED TO THE BUILDING IS SHOWN IN THIS DRAWING FOR INDICATION ONLY. REFER TO SITE DETAILS DRAWINGS FOR EXACT DIMENSIONS, LOCATION AND DETAILS.



PHASE III
 PACKAGE 1
 AL KHANSA'A BASIC MIXED SCHOOL (AL BALQA)
 SCHOOLS FOR A KNOWLEDGE ECONOMY PROJECT (USAID SKEP)

DRAWING NAME: FOUNDATION FRAMING PLAN (PART 1)		
PLOT No 1343.1334	LOCATION AL KARAMA	BASIN NO 1 AL BALAD AL SHARQI

Design: A.A.	Drawn: CAD	Checked: I.K.H.	North:
SCALE: 1:100	Date: JUNE 2020	Approved: W.Z.	Rev.: 0
DRAWING NUMBER: SKEP-15-SFP100-1			



REV.	DATE	REMARKS
0	JUNE 2020	VOL. IV - TENDER DRAWINGS

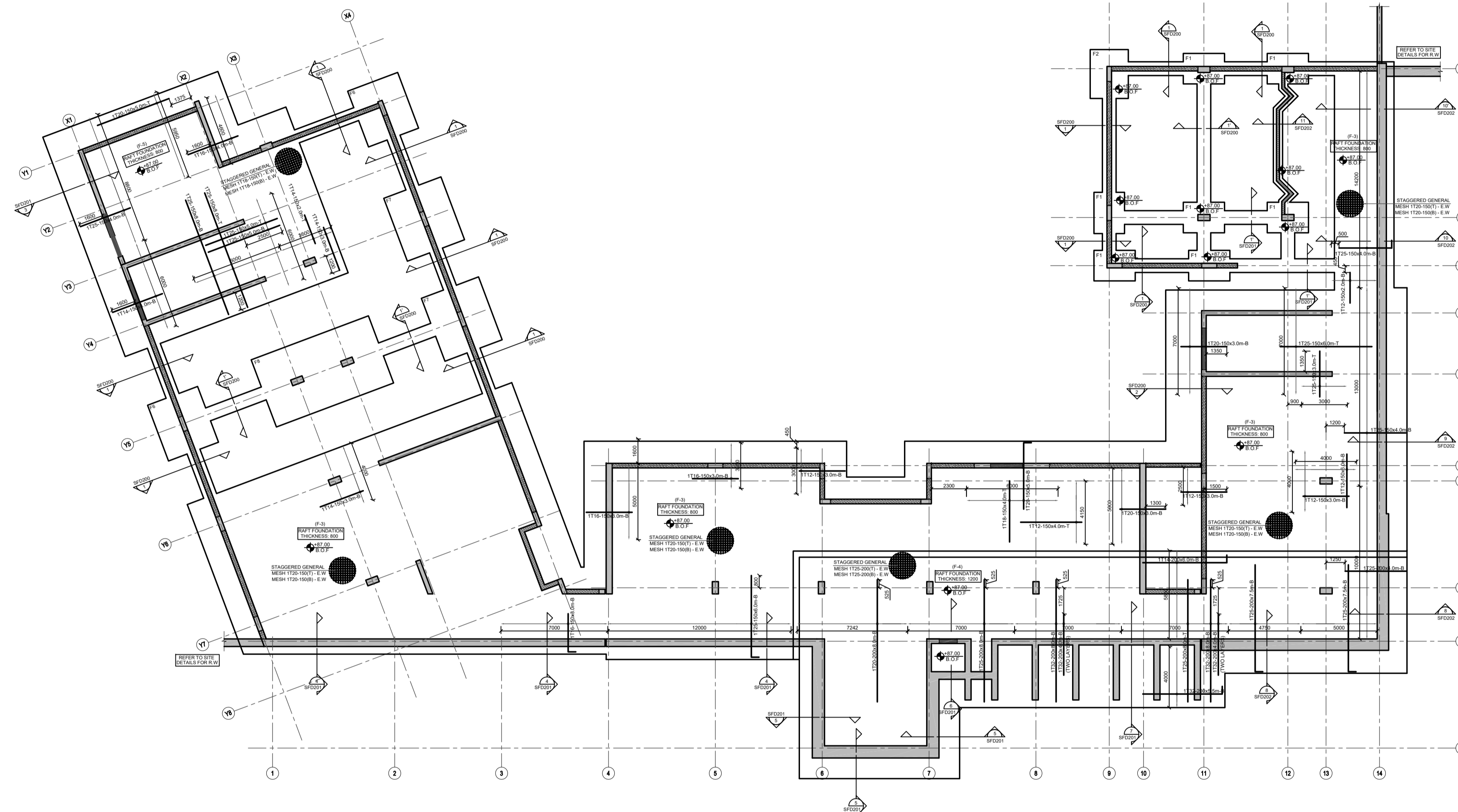
NOTES:
 ANY SITE WORK (RETAINING WALLS, PLANTERS WALLS, etc.) CONNECTED TO THE BUILDING IS SHOWN IN THIS DRAWING FOR INDICATION ONLY. REFER TO SITE DETAILS DRAWINGS FOR EXACT DIMENSIONS, LOCATION AND DETAILS.



PHASE III
 PACKAGE 1
 AL KHANSA'A BASIC MIXED SCHOOL (AL BALQA)
 SCHOOLS FOR A KNOWLEDGE ECONOMY PROJECT (USAID SKEP)

DRAWING NAME: FOUNDATION FRAMING PLAN (PART 2)		
PLOT No. 1343.1334	LOCATION AL KARAMA	BASIN NO. 1 AL BALAD AL SHARQI

Design: A.A.	Drawn: CAD	Checked: I.KH.	North:
SCALE: 1:100	Date: JUNE 2020	Approved: W.Z.	
DRAWING NUMBER: SKEP-15-SFP100-2			Rev.: 0



REV.	DATE	REMARKS
0	JUNE 2020	VOL. IV - TENDER DRAWINGS

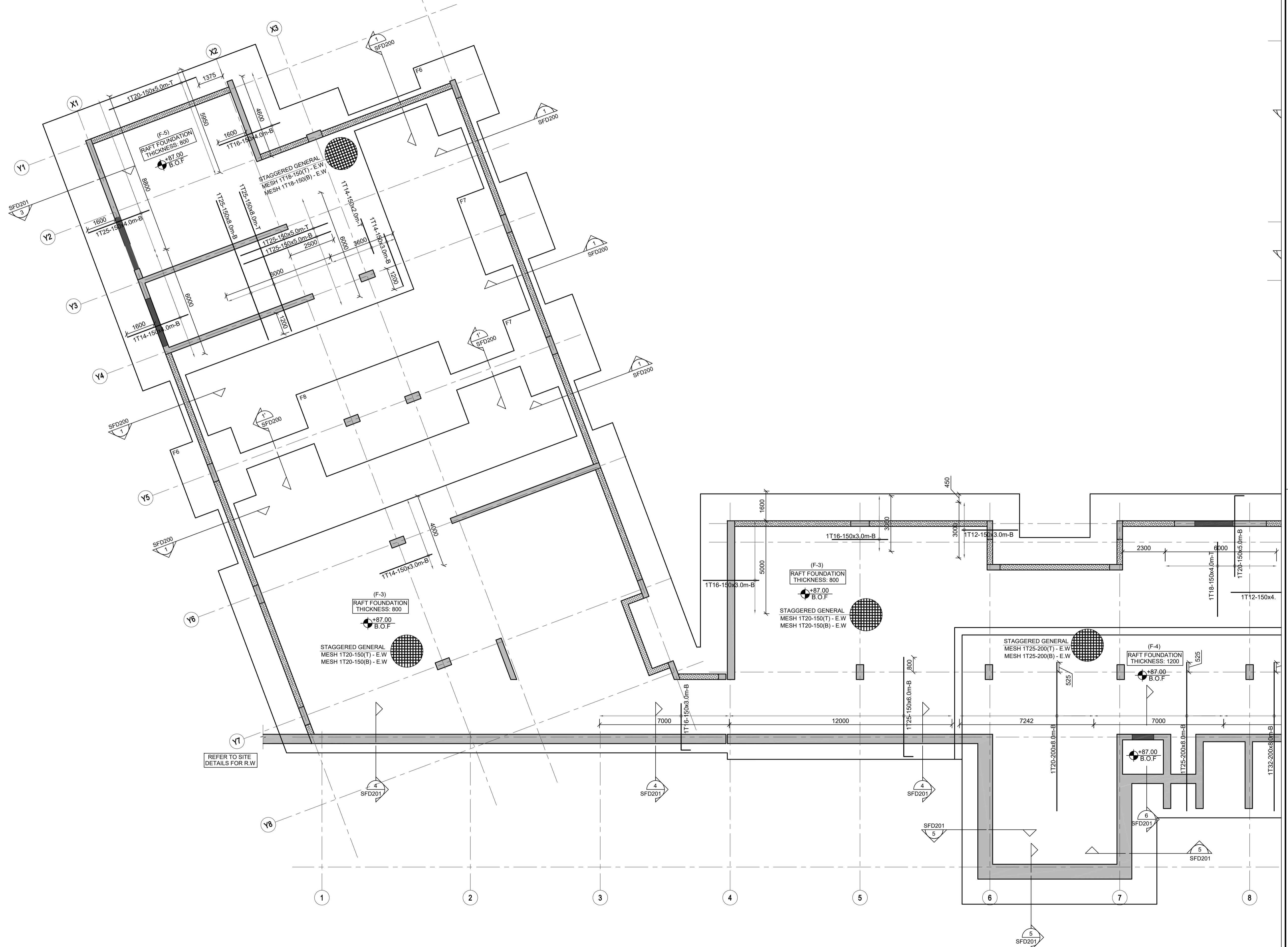
NOTES:
 ANY SITE WORK (RETAINING WALLS, PLANTERS WALLS, etc.) CONNECTED TO THE BUILDING IS SHOWN IN THIS DRAWING FOR INDICATION ONLY. REFER TO SITE DETAILS DRAWINGS FOR EXACT DIMENSIONS, LOCATION AND DETAILS.



PHASE III
 AL KHANSA'A BASIC MIXED SCHOOL (AL BALQA)
 PACKAGE 1
 SCHOOLS FOR A KNOWLEDGE ECONOMY PROJECT (USAID SKEP)

DRAWING NAME: FOUNDATION FRAMING PLAN (ADDITIONAL REINFORCEMENT)		
DESIGN: A.A.	DRAWN: CAD	CHECKED: I.KH.
SCALE: 1:200	DATE: JUNE 2020	APPROVED: W.Z.
PLOT No: 1343.1334	LOCATION: AL KARAMA	BASIN NO: 1 AL BALAD AL SHARQI

DRAWING NUMBER: SKEP-15-SFP101		Rev.: 0
--------------------------------	--	---------



REV.	DATE	REMARKS
0	JUNE 2020	VOL. IV - TENDER DRAWINGS

NOTES:
 ANY SITE WORK (RETAINING WALLS, PLANTERS WALLS, etc.) CONNECTED TO THE BUILDING IS SHOWN IN THIS DRAWING FOR INDICATION ONLY. REFER TO SITE DETAILS DRAWINGS FOR EXACT DIMENSIONS, LOCATION AND DETAILS.

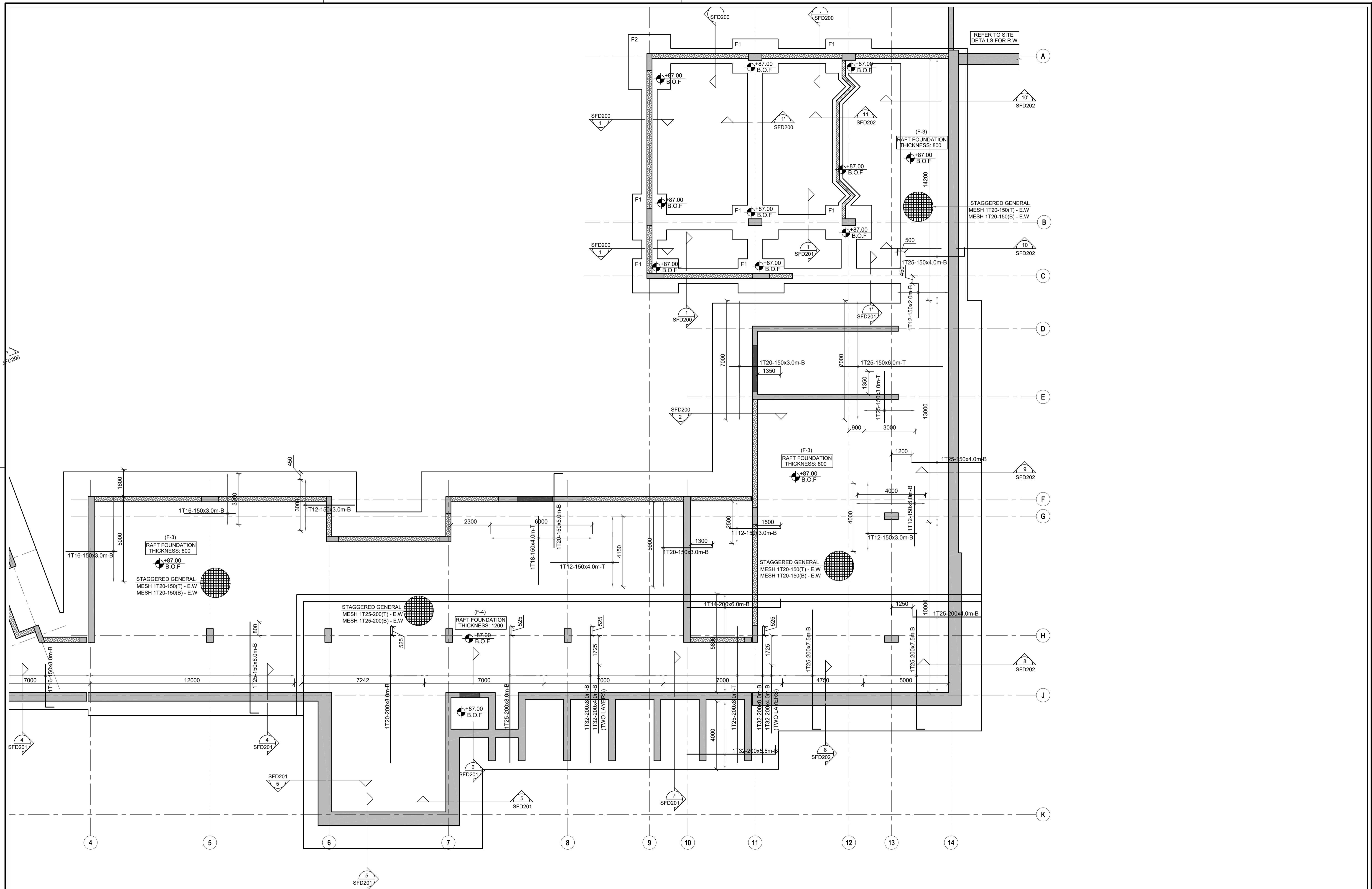


PHASE III
 PACKAGE 1
 AL KHANSA'A BASIC MIXED SCHOOL (AL BALQA)
 SCHOOLS FOR A KNOWLEDGE ECONOMY PROJECT (USAID SKEP)

DRAWING NAME:
FOUNDATION FRAMING PLAN (ADDITIONAL REINFORCEMENT) (ENLARGEMENT - PART 1)

PLOT No: 1343.1334
 LOCATION: AL KARAMA
 BASIN NO: 1 AL BALAD AL SHARQI

Design: A.A.
 Drawn: CAD
 Checked: I.K.H.
 Approved: W.Z.
 Date: JUNE 2020
 DRAWING NUMBER: SKPE-15-SFP101-1
 Rev.: 0



REV.	DATE	REMARKS
0	JUNE 2020	VOL. IV - TENDER DRAWINGS

NOTES:
 ANY SITE WORK (RETAINING WALLS, PLANTERS WALLS, etc.) CONNECTED TO THE BUILDING IS SHOWN IN THIS DRAWING FOR INDICATION ONLY. REFER TO SITE DETAILS DRAWINGS FOR EXACT DIMENSIONS, LOCATION AND DETAILS.



PHASE III
 PACKAGE 1
 AL KHANSA'A BASIC MIXED SCHOOL (AL BALQA)
 SCHOOLS FOR A KNOWLEDGE ECONOMY PROJECT (USAID SKEP)

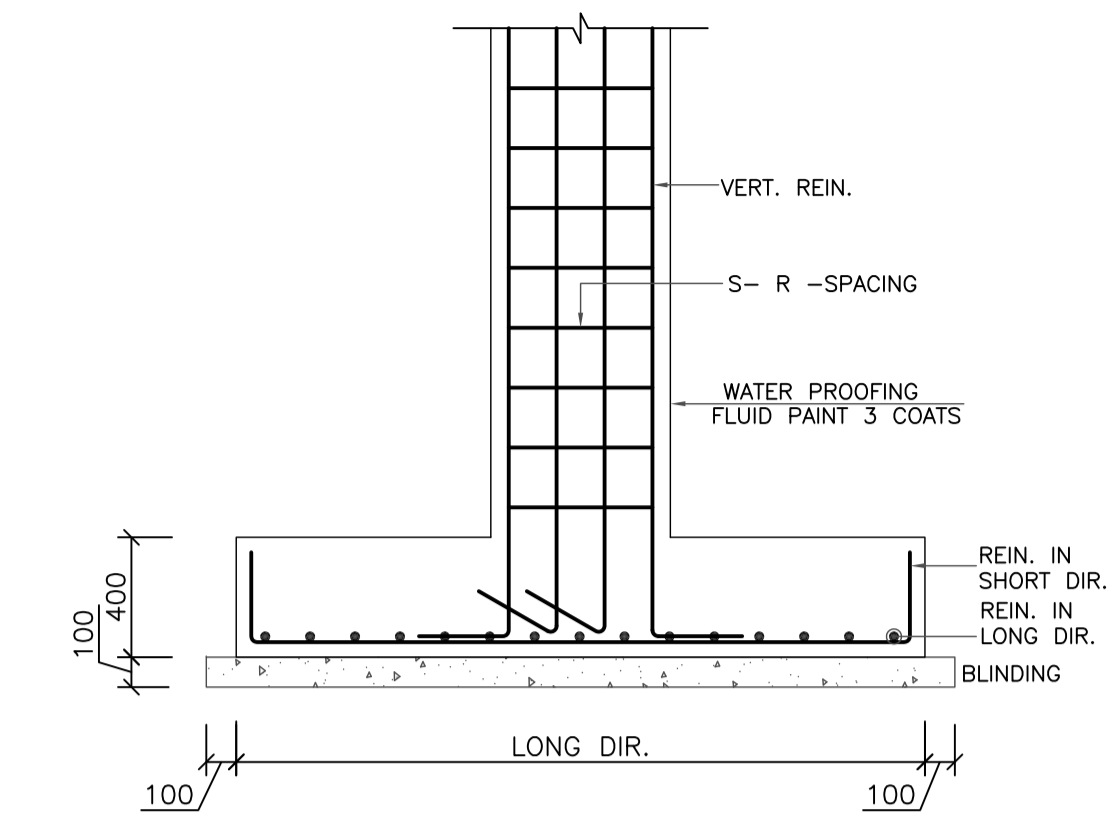
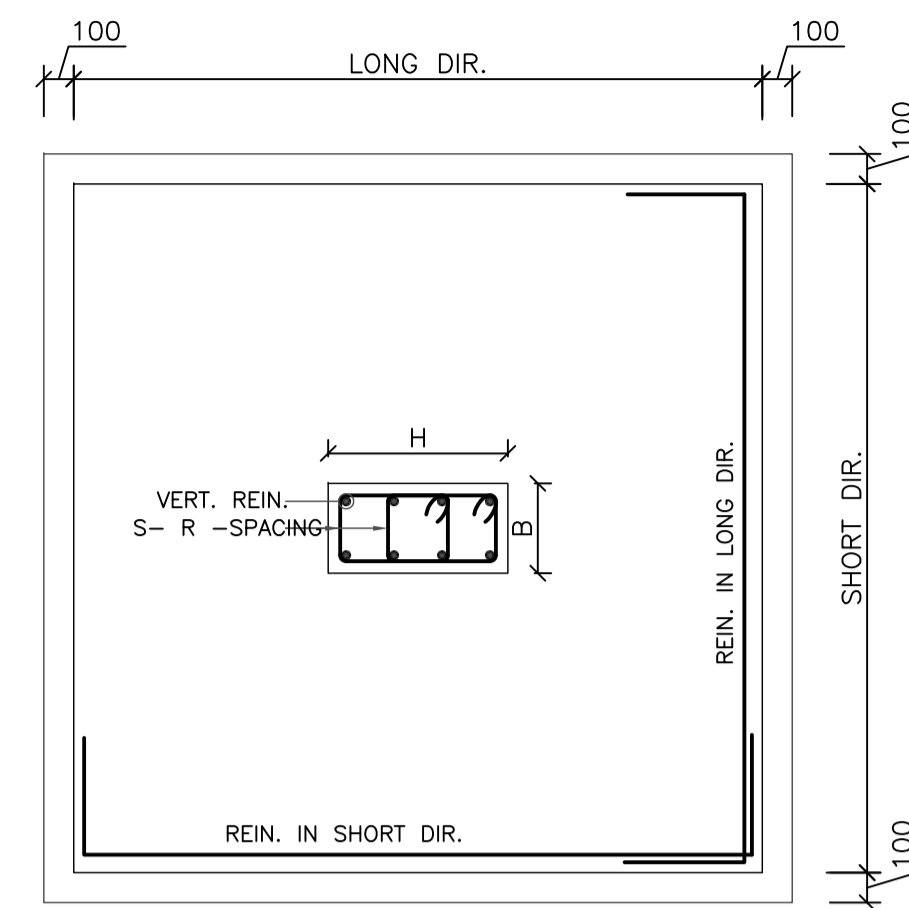
DRAWING NAME:
FOUNDATION FRAMING PLAN (ADDITIONAL REINFORCEMENT) (ENLARGEMENT - PART 2)

PLOT No: 1343.1334
 LOCATION: AL KARAMA
 BASIN NO: 1 AL BALAD AL SHARQI

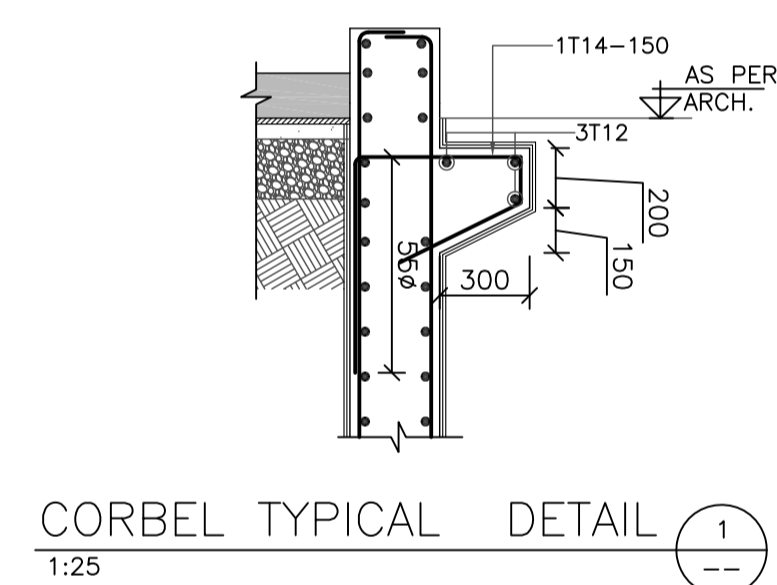
Design: A.A.	Drawn: CAD	Checked: I.K.H.	North:
SCALE: 1:100	Date: JUNE 2020	Approved: W.Z.	
DRAWING NUMBER: SKEP-15-SFP101-2			Rev.: 0

REINFORCEMENT OF FOOTINGS TABLE							
FOOTING DIMENSIONS			BOTTOM REINFORCEMENT		TOP REINFORCEMENT		
FOOT. NO.	LENGTH(m)	WIDTH(m)	HEIGHT(m)	REIN. IN LONG DIR.	REIN. IN SHORT DIR.	REIN. IN LONG DIR.	REIN. IN SHORT DIR.
1	2.70	2.00	0.50	1T16-150	1T16-150	-----	-----
2	3.20	2.50	0.70	1T16-125	1T16-125	-----	-----
* 3	REFER TO FOUNDATION PLAN		0.80	1T20-150	1T20-150	1T20-150	1T20-150
* 4	REFER TO FOUNDATION PLAN		1.20	1T25-200	1T25-200	1T25-200	1T25-200
* 5	15.75	15.70	0.80	1T18-150	1T18-150	1T18-150	1T18-150
6	3.90	3.50	0.80	1T18-150	1T18-150	-----	-----
7	4.40	4.00	0.80	1T18-150	1T18-150	-----	-----
8	8.20	4.70	1.20	1T25-200	1T25-200	1T25-200	1T25-200

* REQUIRED ADDITIONAL TOP AND BOTTOM REINFORCEMENT ARE SHOWN ON PLAN.

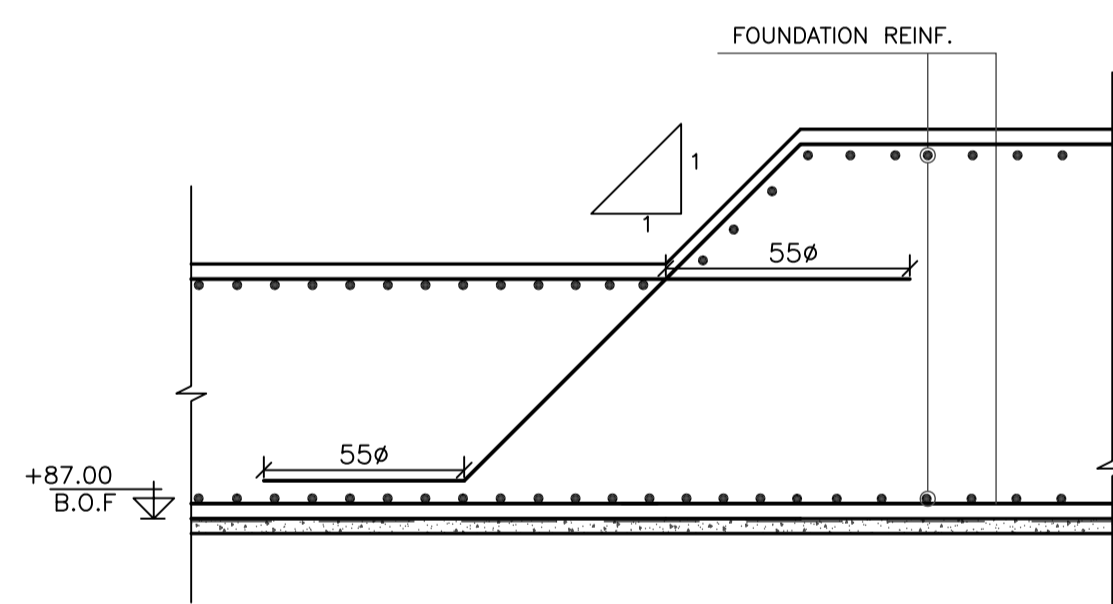


TYPICAL FOOTING DETAIL
1:25

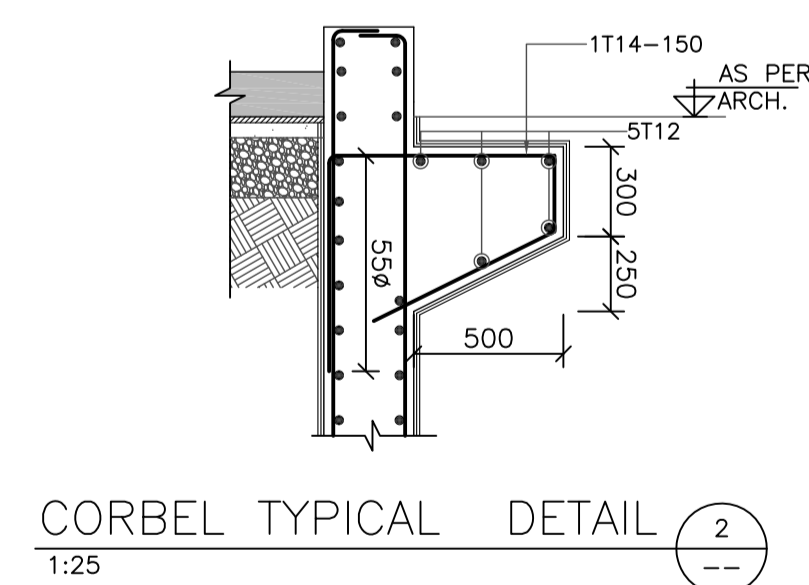


CORBEL TYPICAL DETAIL 1
1:25

IF NEEDED

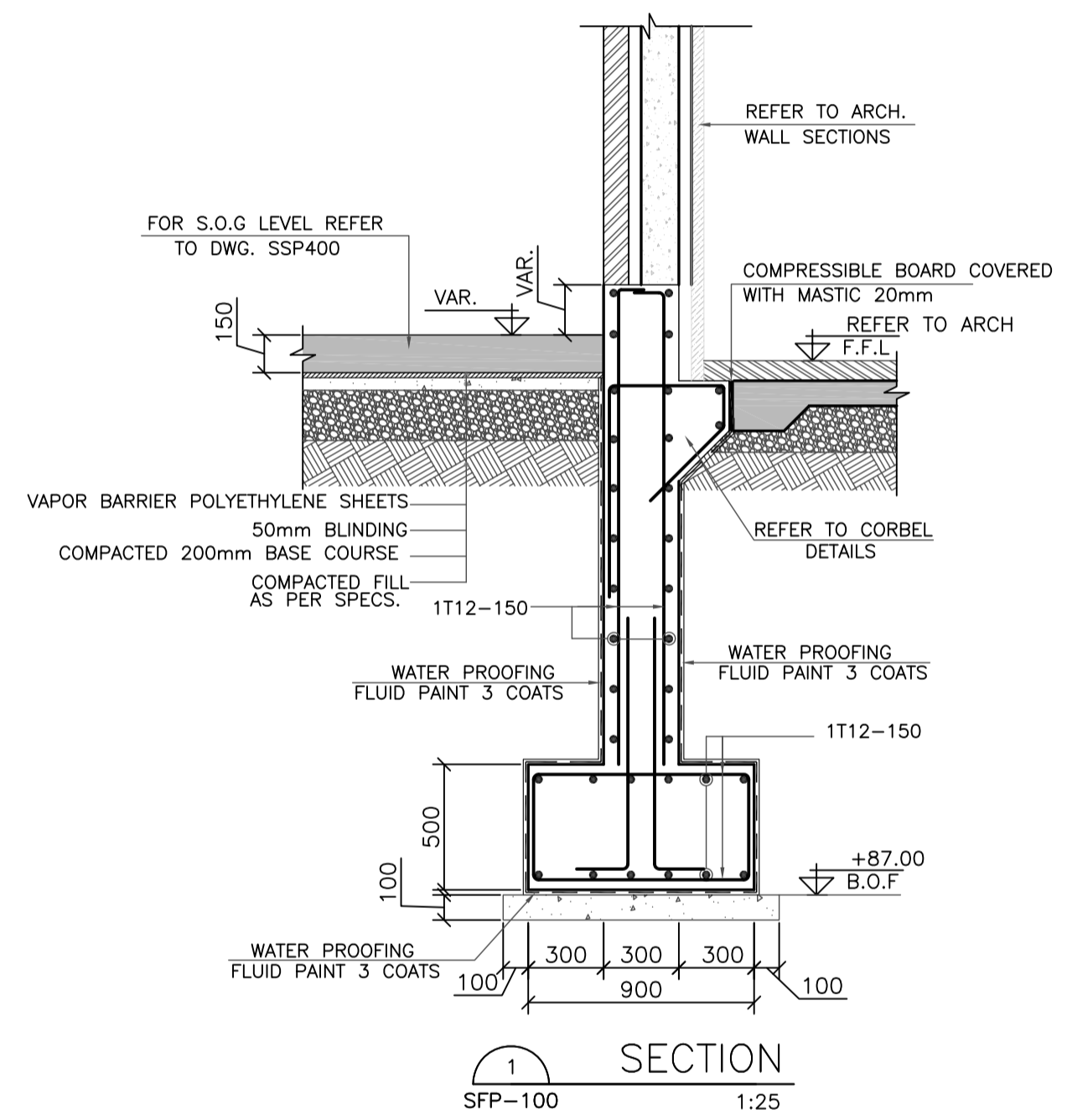


TYPICAL SECTION AT RAFT FOUNDATION CHANGE IN THICKNESS
1:25

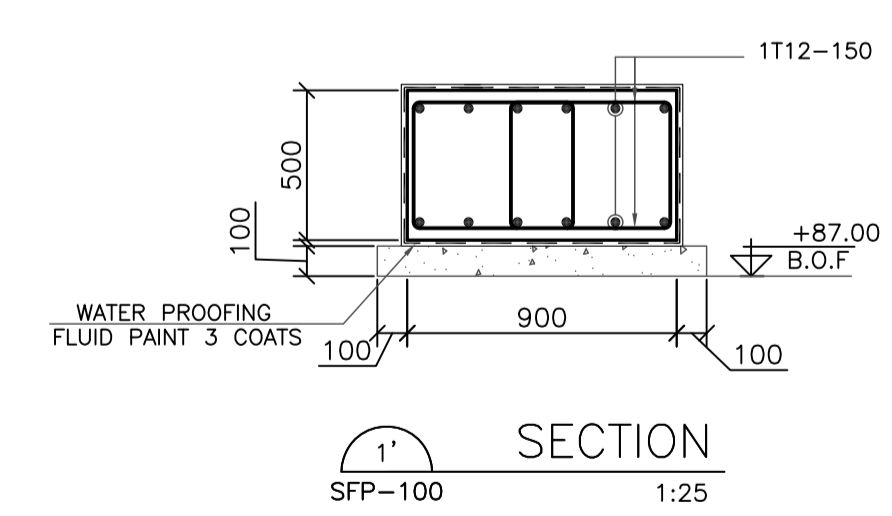


CORBEL TYPICAL DETAIL 2
1:25

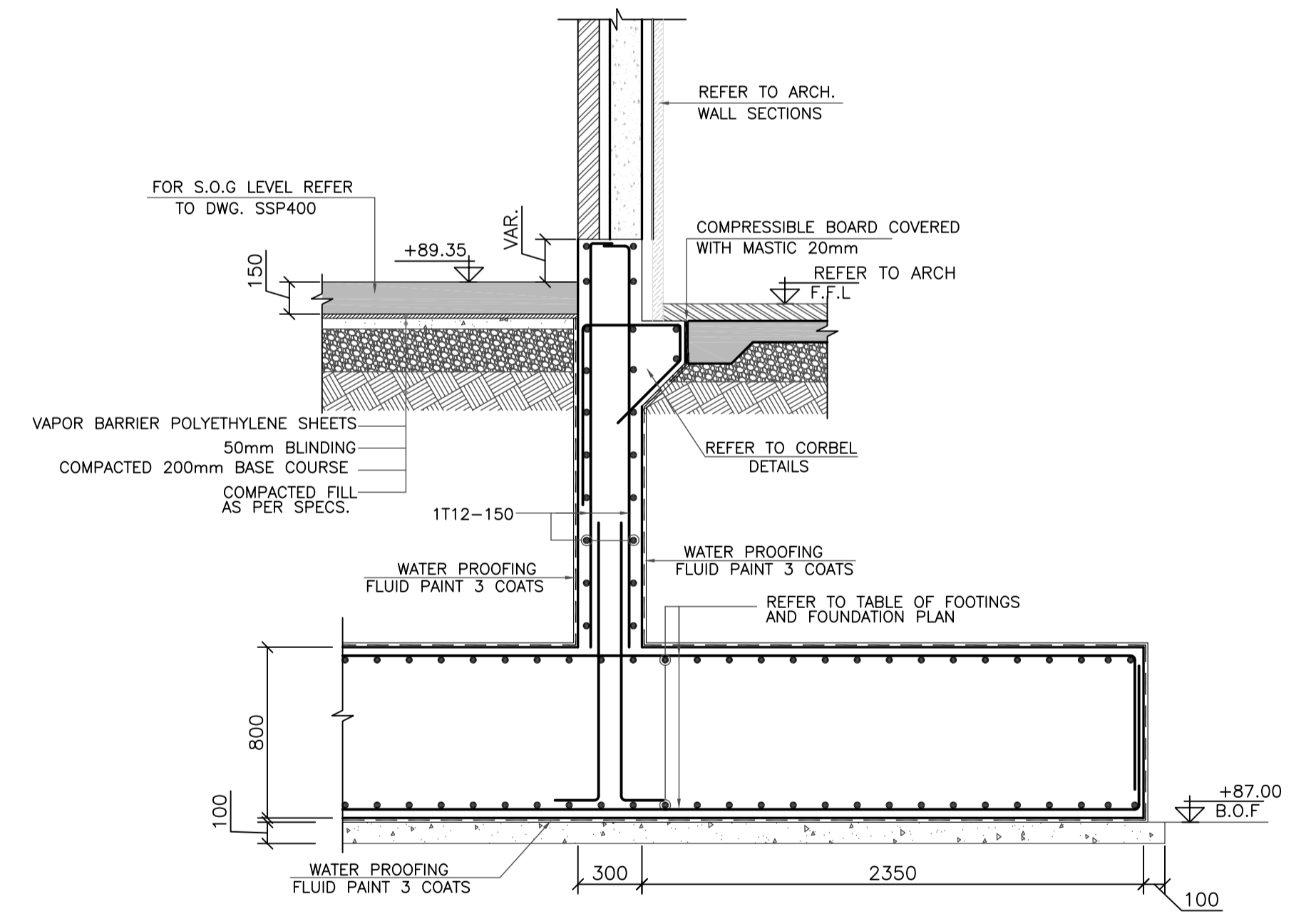
IF NEEDED



SECTION 1
SFP-100
1:25



SECTION 1'
SFP-100
1:25



SECTION 2
SFP-100
1:25

REV.	DATE	REMARKS
0	JUNE 2020	VOL. IV - TENDER DRAWINGS

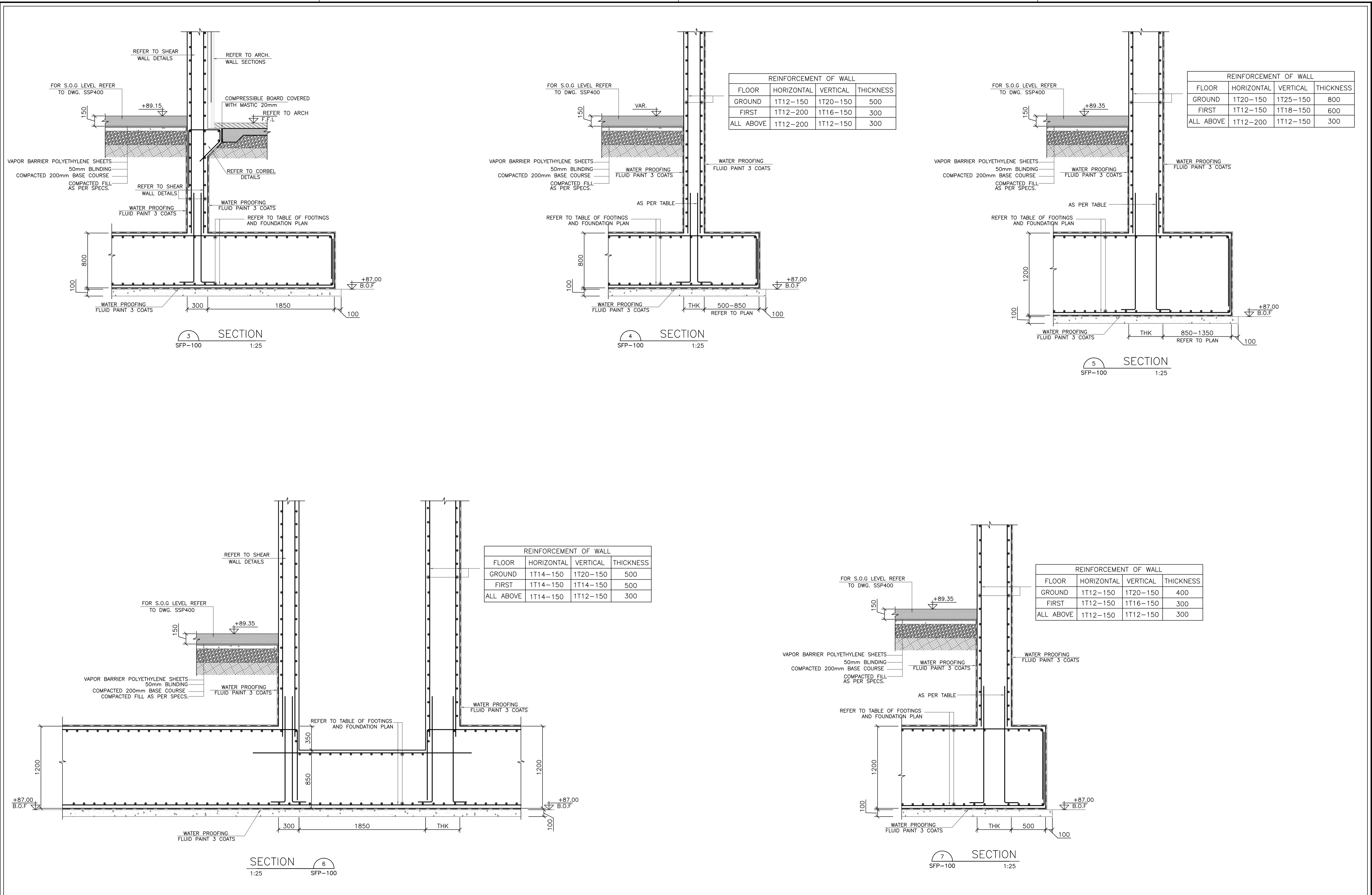
NOTES:



PHASE III	AL KHANSA'A BASIC MIXED SCHOOL (AL BALQA)
PACKAGE 1	SCHOOLS FOR A KNOWLEDGE ECONOMY PROJECT (USAID SKEP)

DRAWING NAME:	
FOUNDATION DETAILS (SHEET 1 OF 4)	
PLOT No	BASIN NO
1343.1334	1 AL BALAD AL SHARQI
LOCATION	
AL KARAMA	

Design:	A.A.	Drawn:	CAD	Checked:	I.KH.	North:	
SCALE:	1:25	Date:	JUNE 2020	Approved:	W.Z.	Rev.:	
DRAWING NUMBER:						SKEP-15-SFD200	
						0	



REINFORCEMENT OF WALL			
FLOOR	HORIZONTAL	VERTICAL	THICKNESS
GROUND	1T12-150	1T20-150	500
FIRST	1T12-200	1T16-150	300
ALL ABOVE	1T12-200	1T12-150	300

REINFORCEMENT OF WALL			
FLOOR	HORIZONTAL	VERTICAL	THICKNESS
GROUND	1T20-150	1T25-150	800
FIRST	1T12-150	1T18-150	600
ALL ABOVE	1T12-200	1T12-150	300

REINFORCEMENT OF WALL			
FLOOR	HORIZONTAL	VERTICAL	THICKNESS
GROUND	1T14-150	1T20-150	500
FIRST	1T14-150	1T14-150	500
ALL ABOVE	1T14-150	1T12-150	300

REINFORCEMENT OF WALL			
FLOOR	HORIZONTAL	VERTICAL	THICKNESS
GROUND	1T12-150	1T20-150	400
FIRST	1T12-150	1T16-150	300
ALL ABOVE	1T12-150	1T12-150	300

REV.	DATE	REMARKS
0	JUNE 2020	VOL. IV - TENDER DRAWINGS

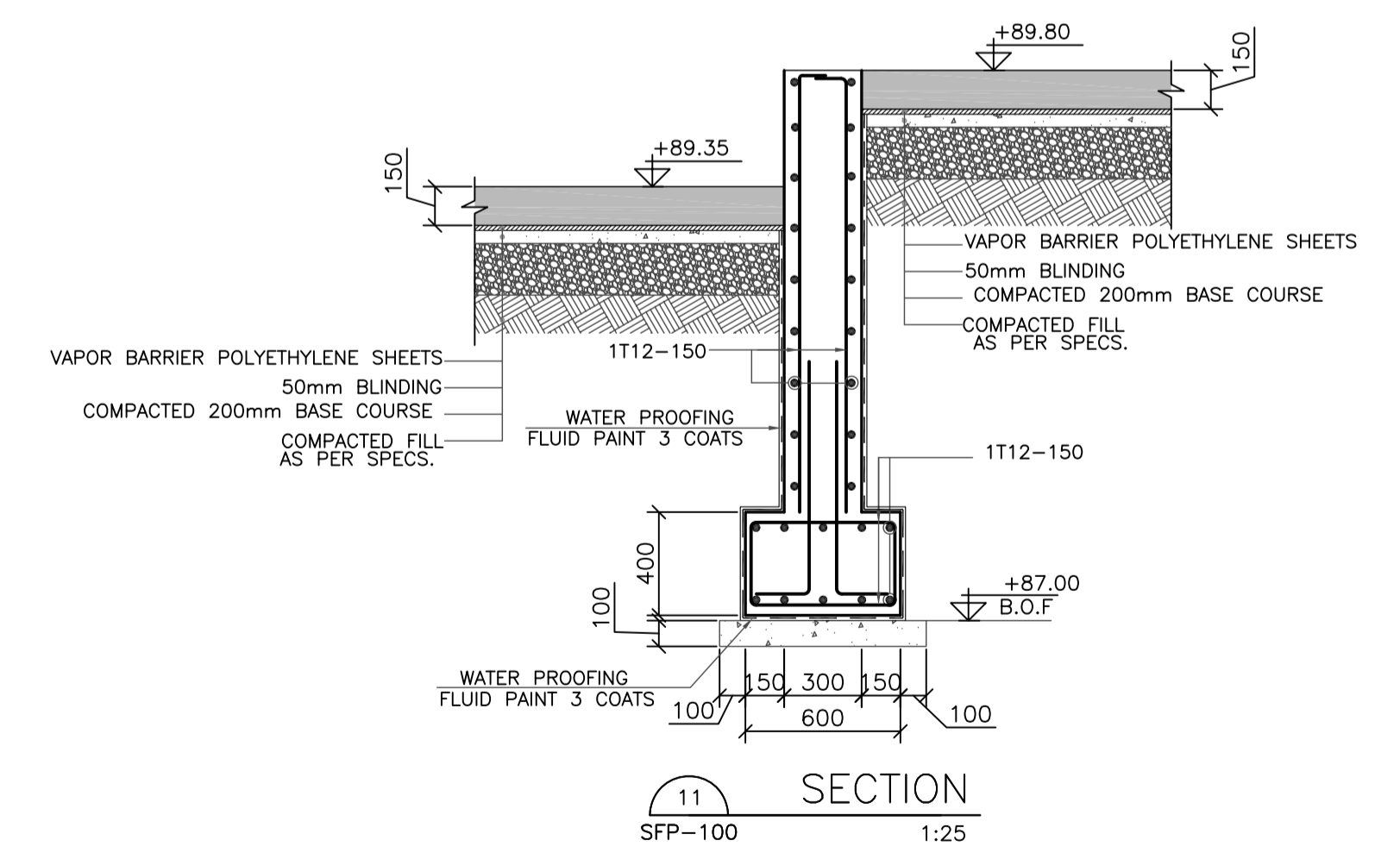
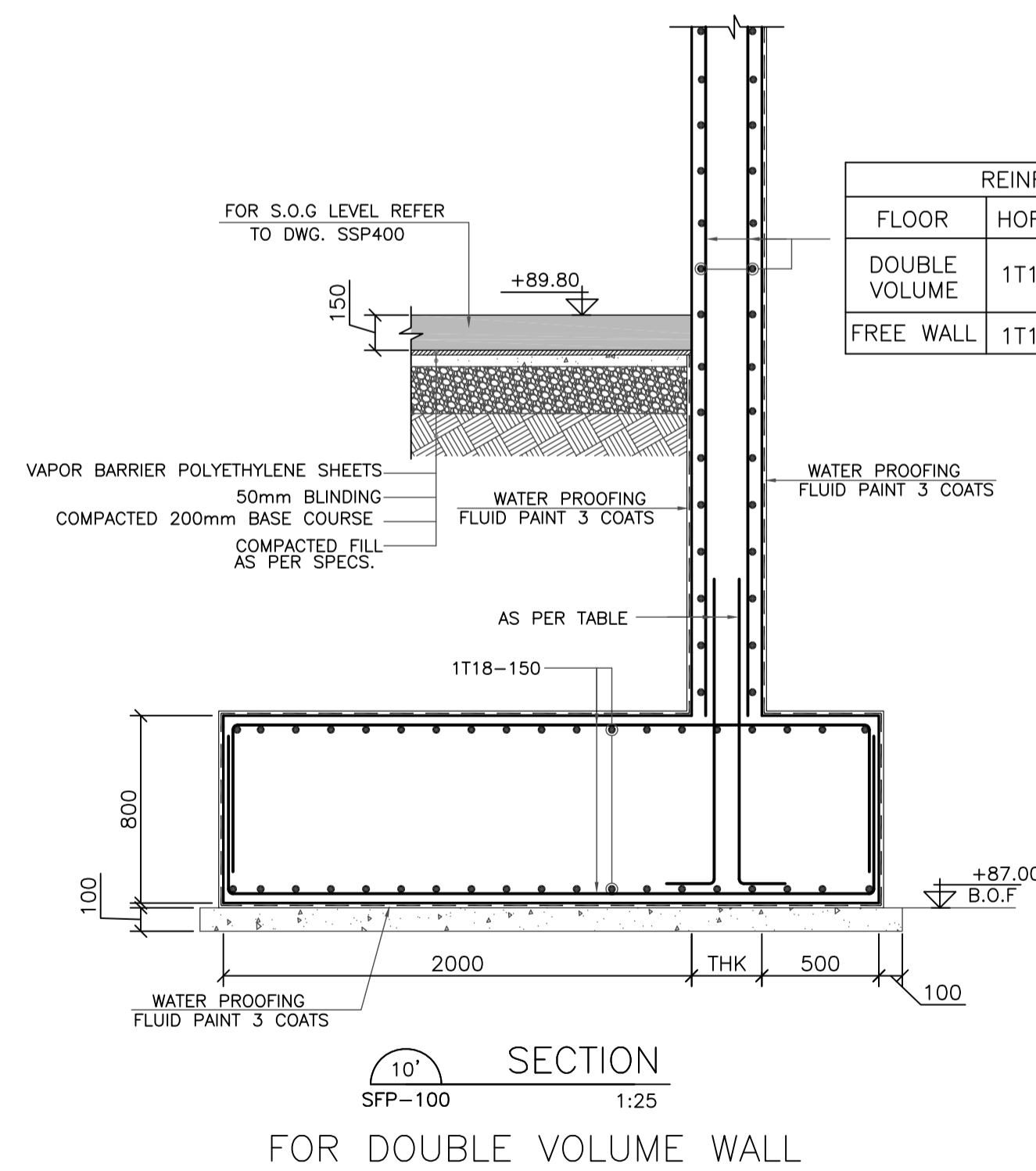
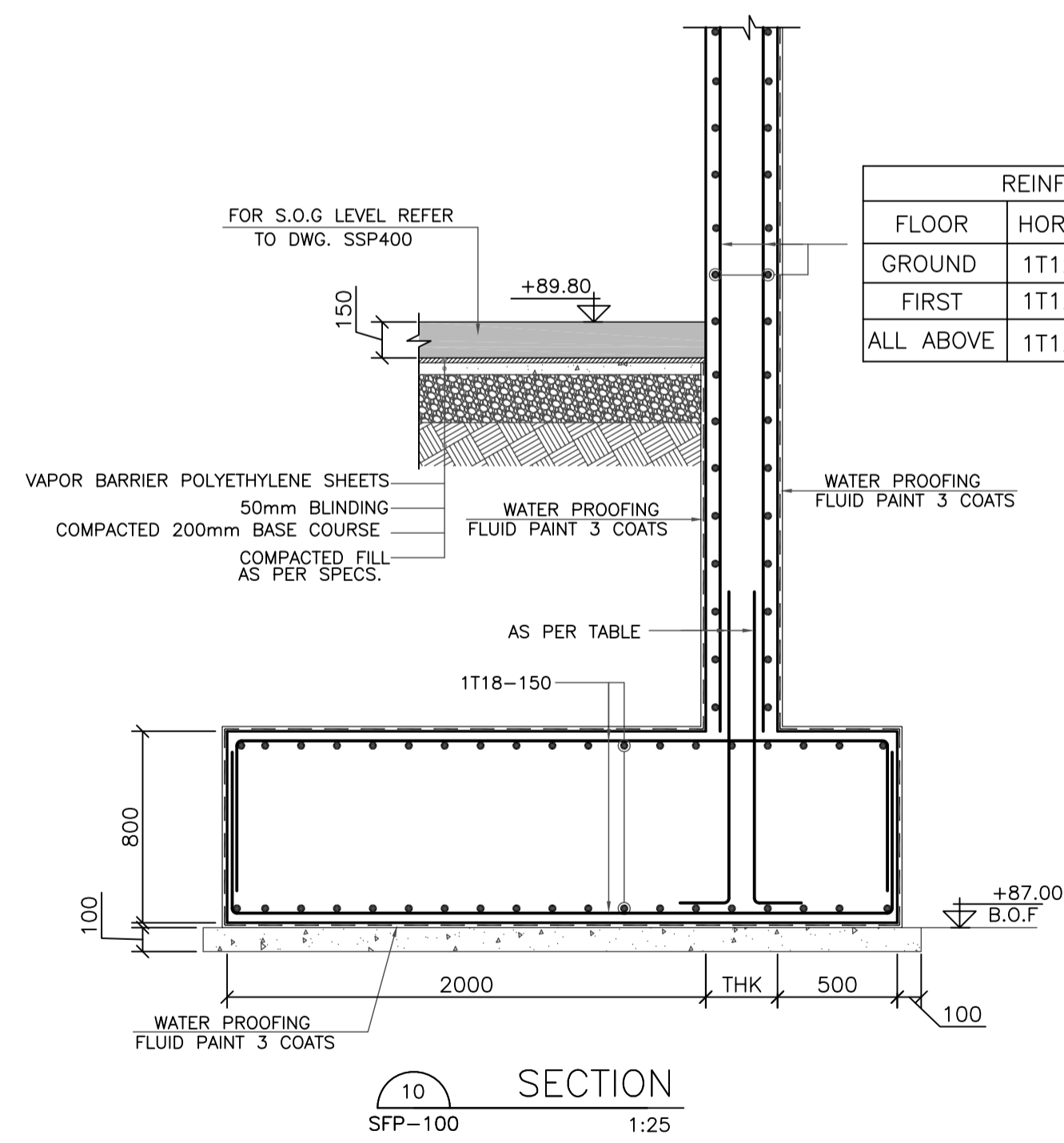
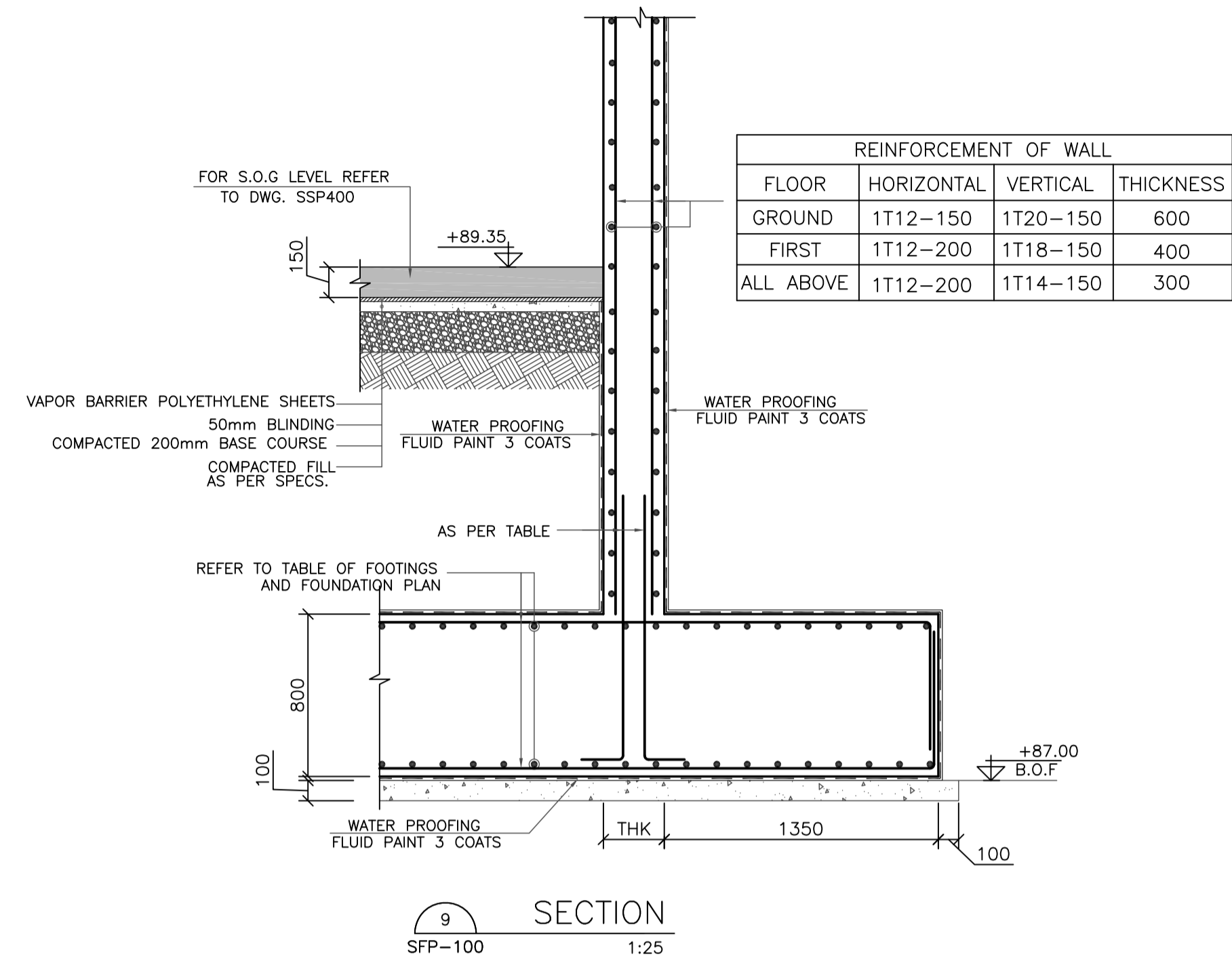
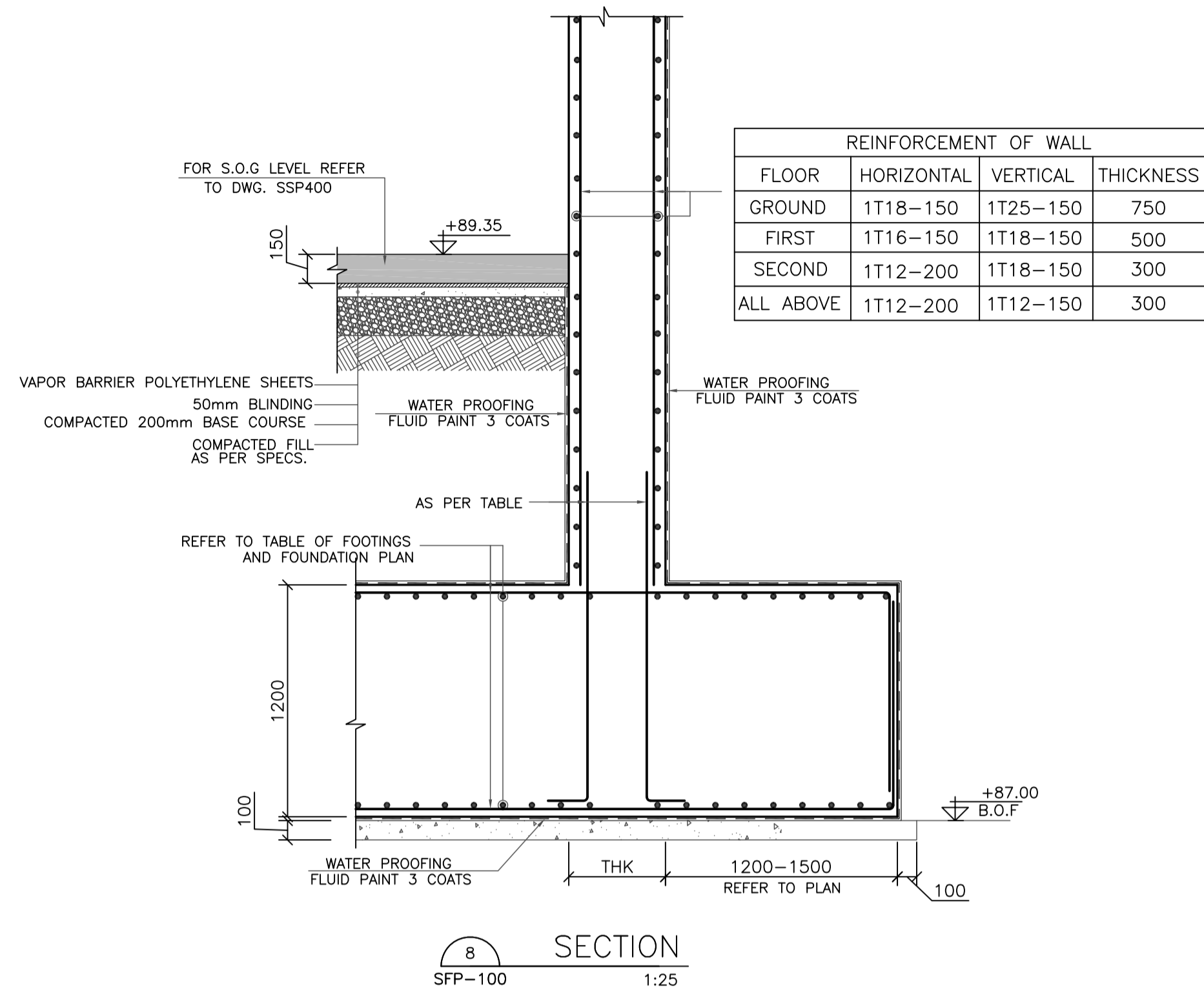
NOTES:



PHASE III
AL KHANSA'A BASIC MIXED SCHOOL (AL BALQA)
PACKAGE 1
SCHOOLS FOR A KNOWLEDGE ECONOMY PROJECT (USAID SKEP)

DRAWING NAME:
FOUNDATION DETAILS (SHEET 2 OF 4)
PLOT No: 1343.1334
LOCATION: AL KARAMA
BASIN NO: 1 AL BALAD AL SHARQI

Design: A.A.
SCALE: 1:25
Date: JUNE 2020
Checked: I.KH.
Approved: W.Z.
DRAWING NUMBER: **SKEP-15-SFD201**
Rev.: 0



REV.	DATE	REMARKS
0	JUNE 2020	VOL. IV - TENDER DRAWINGS

NOTES:



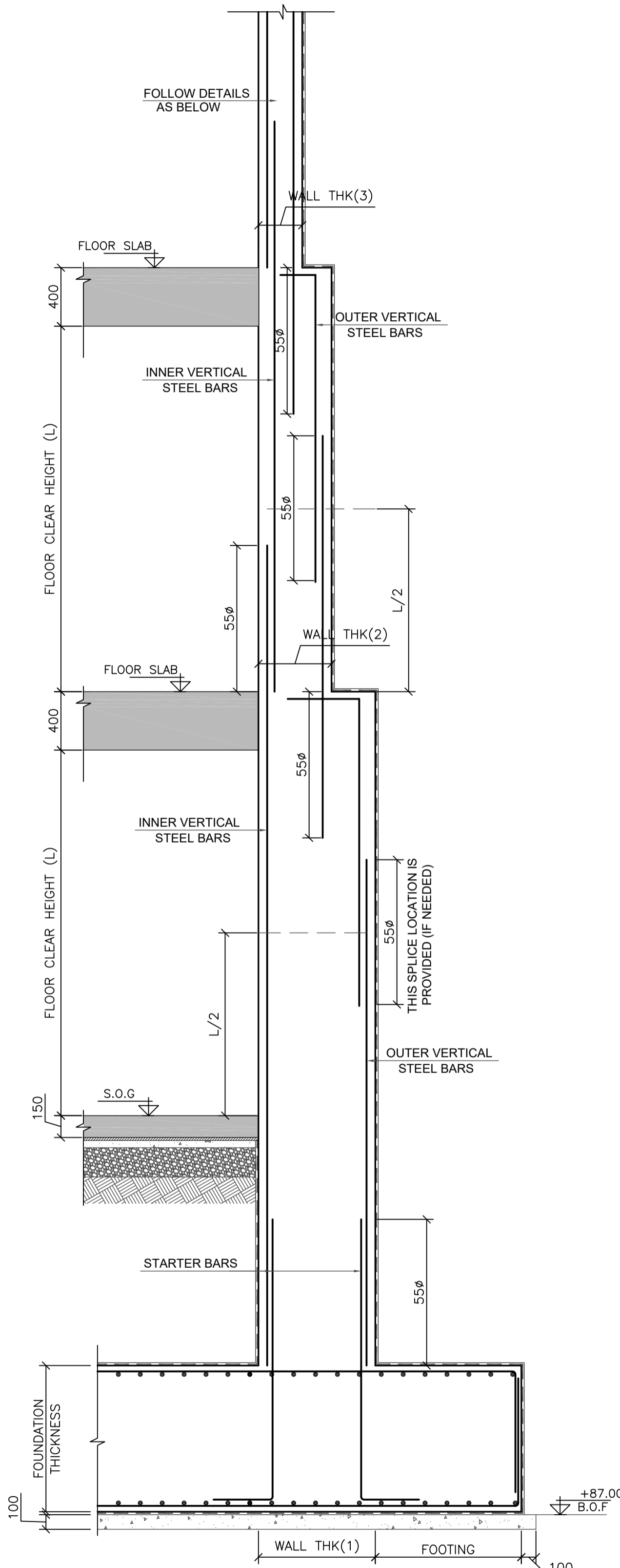
USAID
FROM THE AMERICAN PEOPLE



PHASE III	AL KHANSA'A BASIC MIXED SCHOOL (AL BALQA)
PACKAGE 1	SCHOOLS FOR A KNOWLEDGE ECONOMY PROJECT (USAID SKEP)

DRAWING NAME:		FOUNDATION DETAILS (SHEET 3 OF 4)	
PLOT No	LOCATION	BASIN NO	
1343.1334	AL KARAMA	1 AL BALAD AL SHARQI	

Design:	A.A.	Drawn:	CAD	Checked:	I.KH.	North:	
SCALE:	1:25	Date:	JUNE 2020	Approved:	W.Z.		
DRAWING NUMBER:		SKEP-15-SFD202		Rev.:	0		



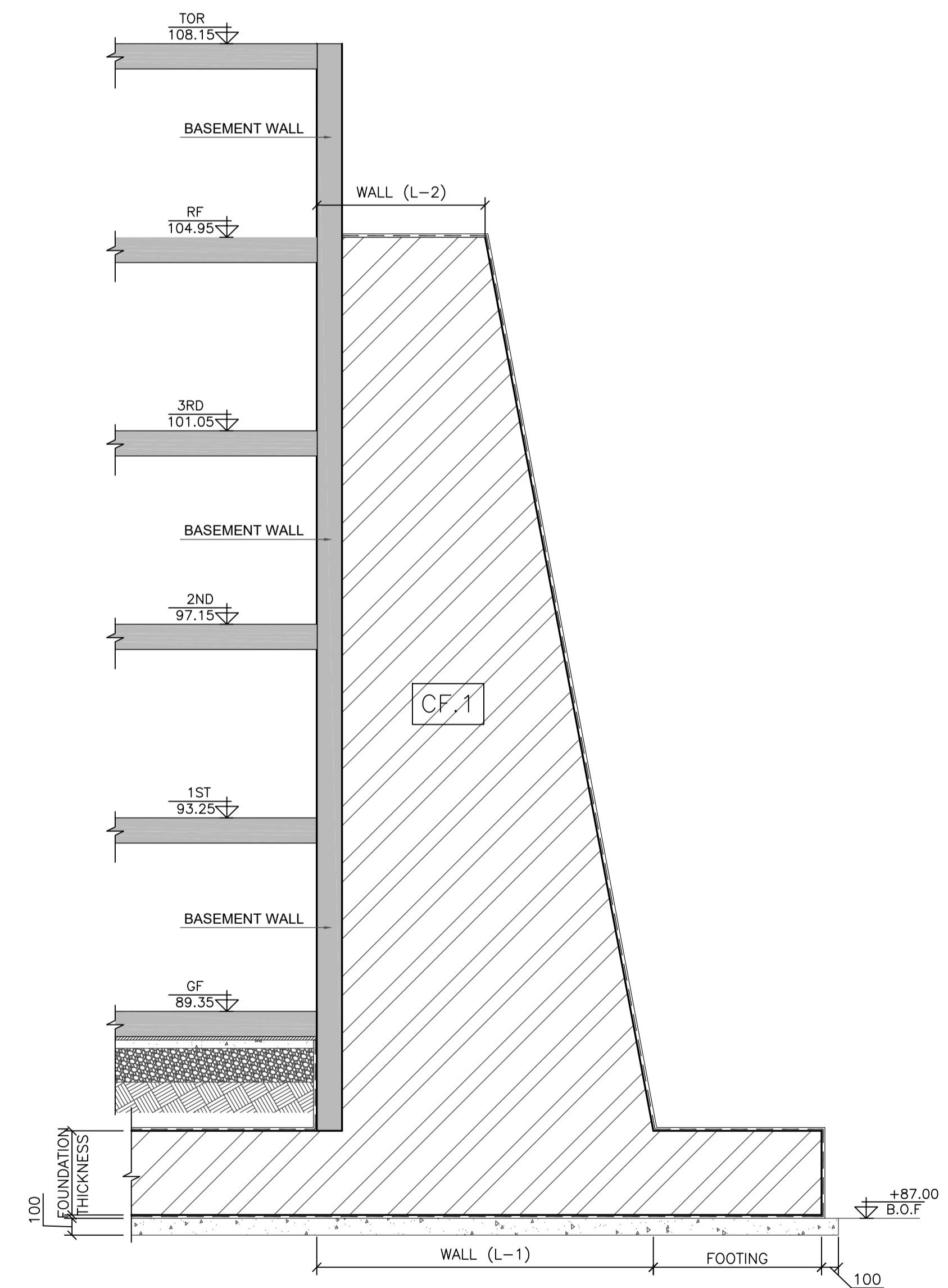
VERTICAL REINFORCEMENT BARS SPLICE LOCATIONS IN ALL BASEMENT WALLS
(TYPICAL DETAIL)
N.T.S

REINFORCEMENT OF C.F-1				
FLOOR	HORIZONTAL BARS	VERTICAL BARS	WALL THK (mm)	WALL (L) (m) L1/L2
GROUND	1T18-150	1T25-125	400	4.0/2.0
FIRST	1T12-150	1T20-125	400	4.0/2.0
SECOND	1T12-200	1T16-125	400	4.0/2.0
THIRD	1T12-200	1T14-250	400	4.0/2.0

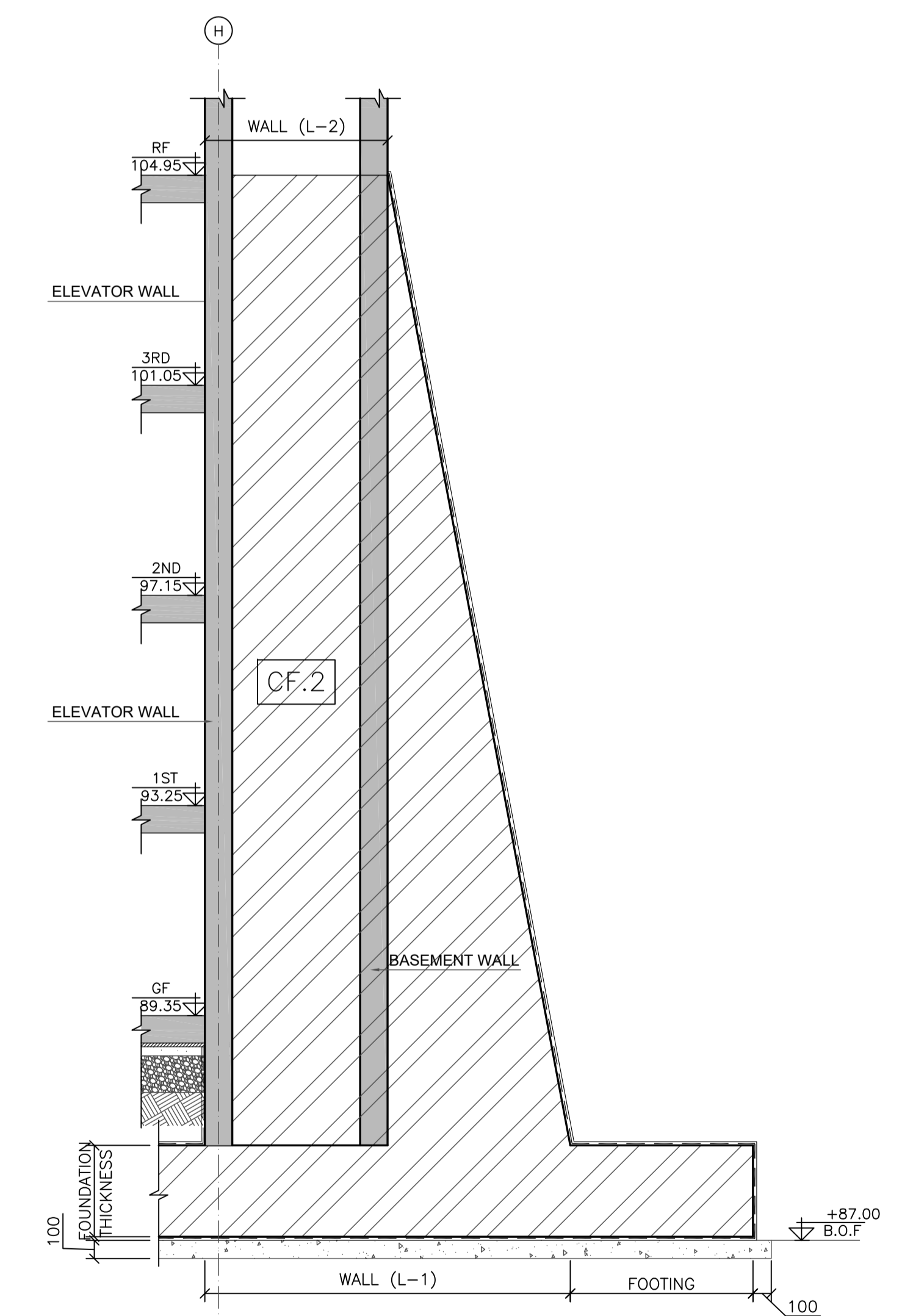
*FOR LINKS REINFORCEMENT, REFER TO SCP309

REINFORCEMENT OF C.F-2				
FLOOR	HORIZONTAL BARS	VERTICAL BARS	WALL THK (mm)	WALL (L) (m) L1/L2
GROUND	1T18-150	1T25-125	400	4.0/2.45
FIRST	1T16-150	1T20-125	400	4.0/2.45
SECOND	1T14-150	1T16-125	400	4.0/2.45
THIRD	1T12-150	1T12-125	400	4.0/2.45

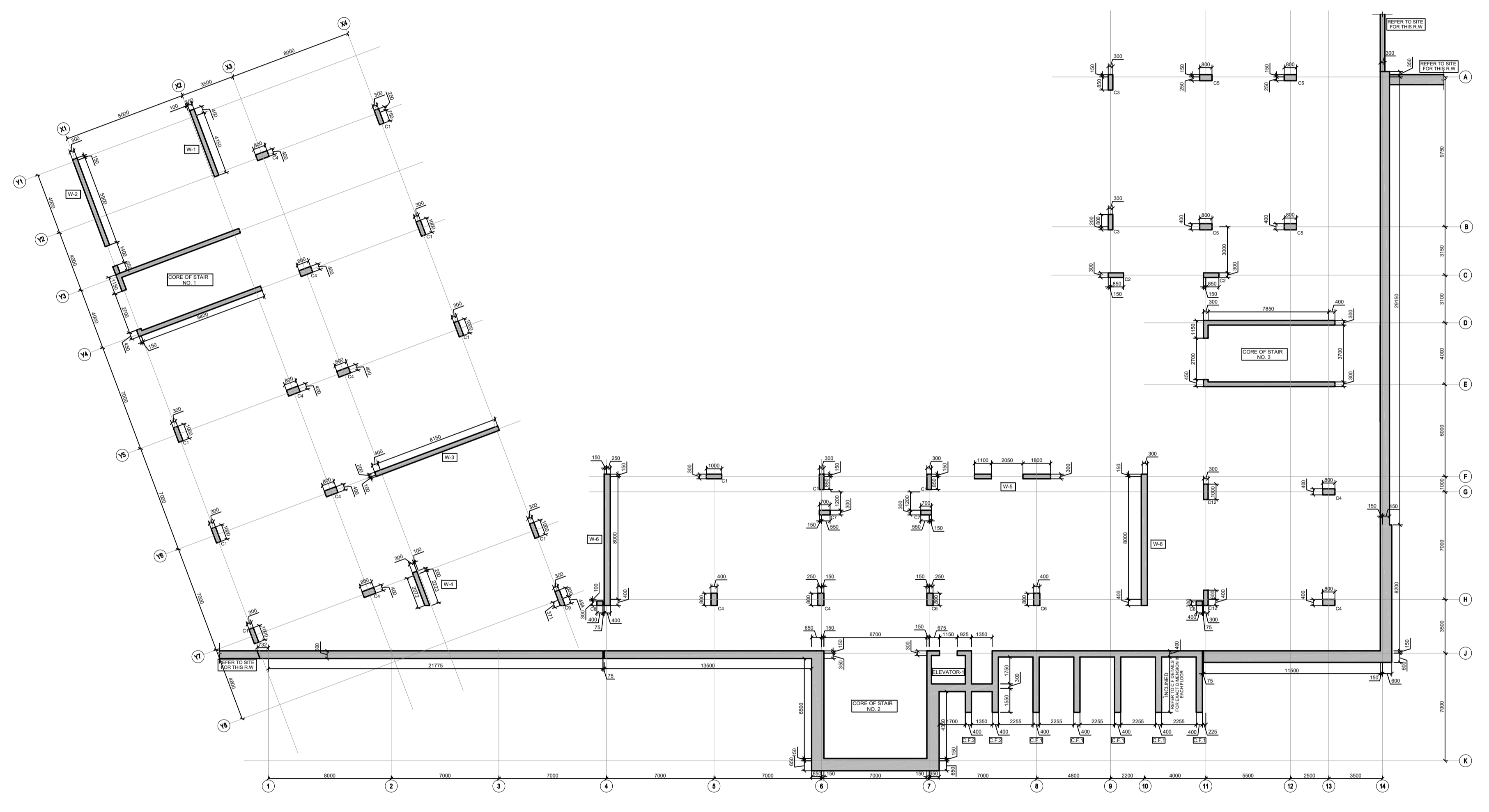
*FOR LINKS REINFORCEMENT, REFER TO SCP309



ELEVATION IN (CF.1)
(TYPICAL DETAIL)
N.T.S



ELEVATION IN (CF.2)
(TYPICAL DETAIL)
N.T.S



REV.	DATE	REMARKS
0	JUNE 2020	VOL. IV - TENDER DRAWINGS

NOTES:
 ANY SITE WORK (RETAINING WALLS, PLANTERS WALLS, etc.) CONNECTED TO THE BUILDING IS SHOWN IN THIS DRAWING FOR INDICATION ONLY. REFER TO SITE DETAILS DRAWINGS FOR EXACT DIMENSIONS, LOCATION AND DETAILS.



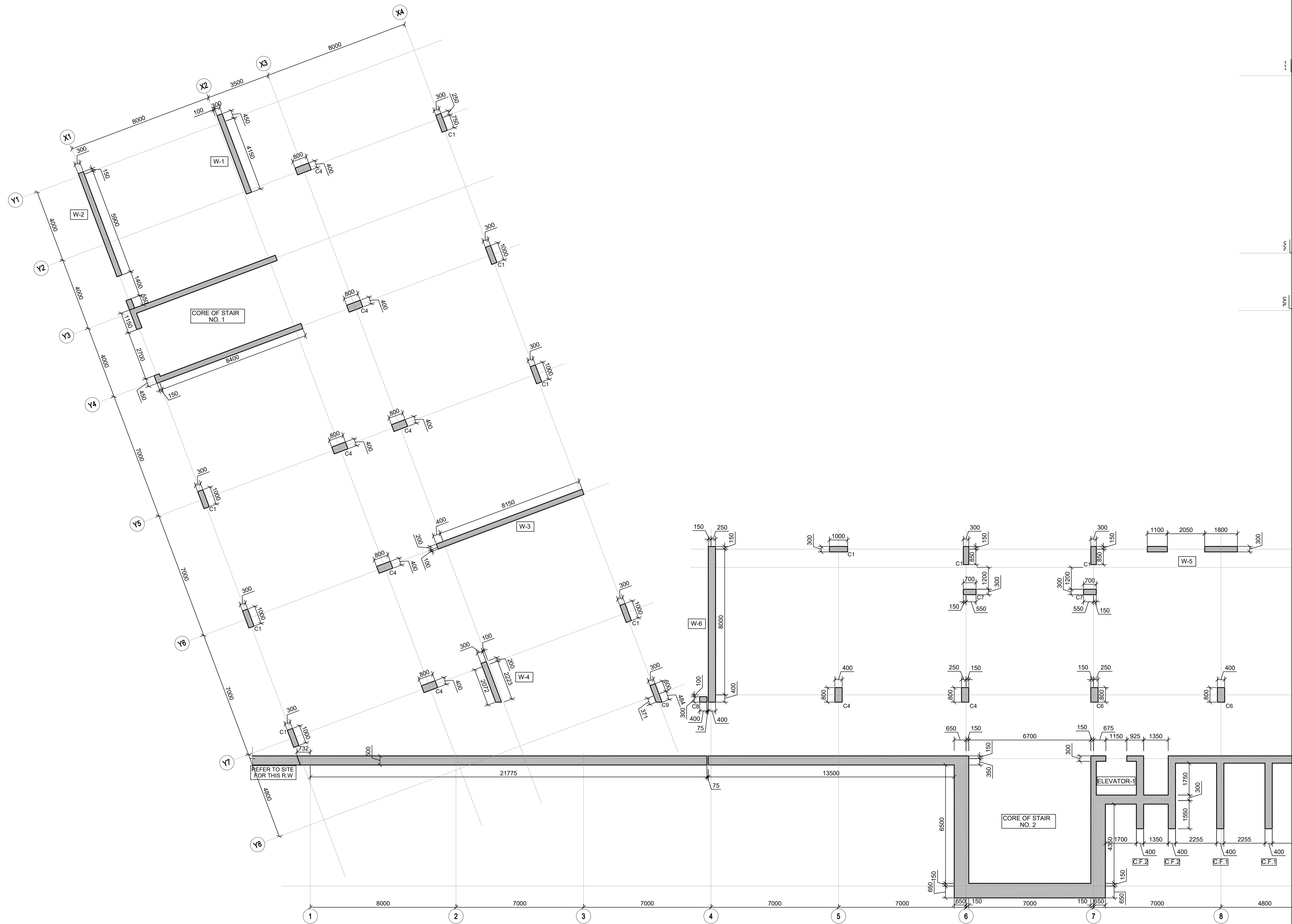
USAID
 FROM THE AMERICAN PEOPLE



PHASE III	AL KHANSA'A BASIC MIXED SCHOOL (AL BALQA)
PACKAGE 1	SCHOOLS FOR A KNOWLEDGE ECONOMY PROJECT (USAID SKEP)

DRAWING NAME: GROUND FLOOR COLUMNS LAYOUT (GENERAL)		
PLOT No. 1343.1334	LOCATION AL KARAMA	BASIN NO. 1 AL BALAD AL SHARQI

Design: A.A.	Drawn: CAD	Checked: I.KH.	North:
SCALE: 1:200	Date: JUNE 2020	Approved: W.Z.	
DRAWING NUMBER: SKEP-15-SCP300			Rev.: 0



REV.	DATE	REMARKS
0	JUNE 2020	VOL. IV - TENDER DRAWINGS

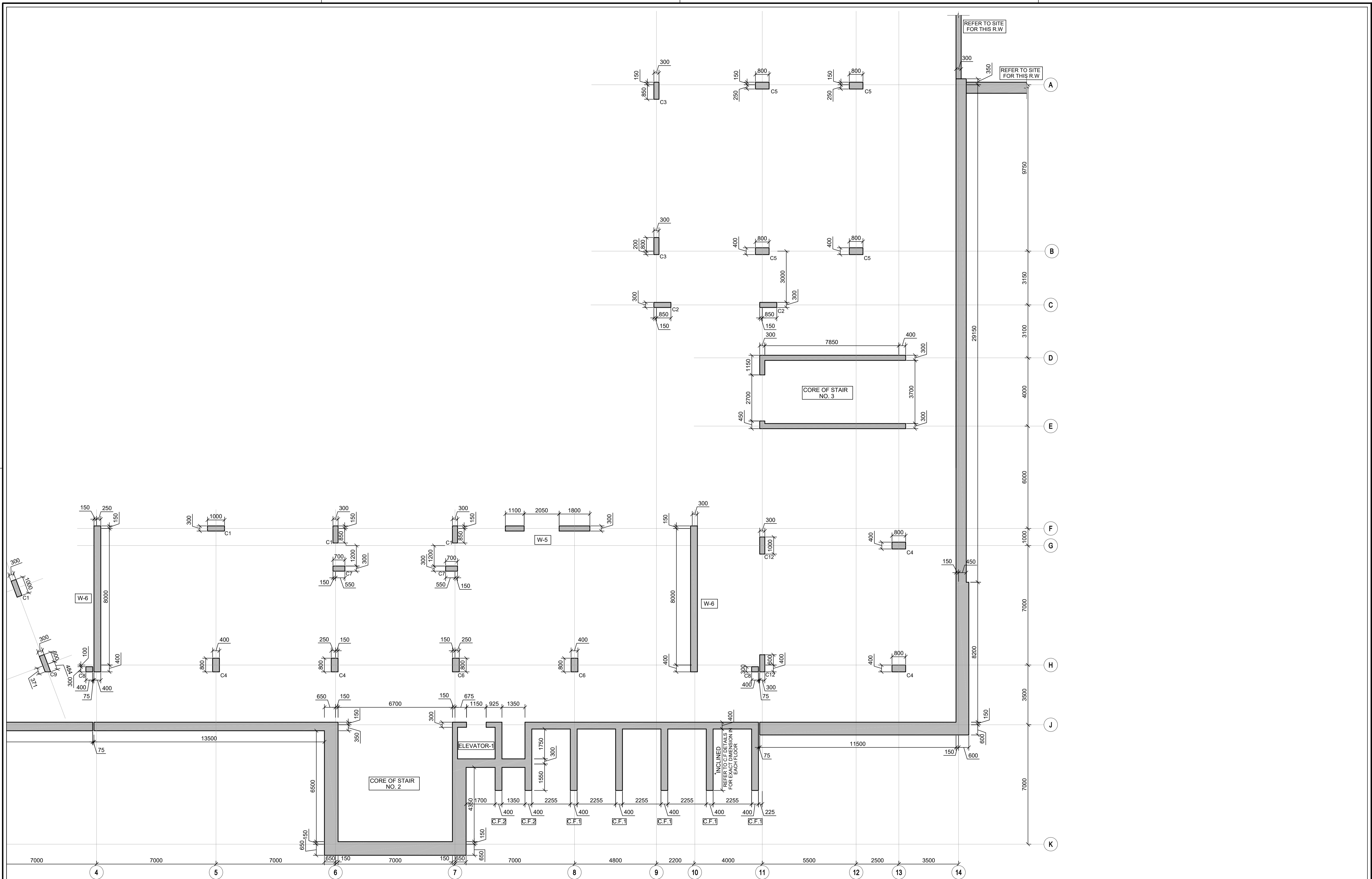
NOTES:
 ANY SITE WORK (RETAINING WALLS, PLANTERS WALLS, etc.) CONNECTED TO THE BUILDING IS SHOWN IN THIS DRAWING FOR INDICATION ONLY. REFER TO SITE DETAILS DRAWINGS FOR EXACT DIMENSIONS, LOCATION AND DETAILS.



PHASE III	AL KHANSA'A BASIC MIXED SCHOOL (AL BALQA)
PACKAGE 1	SCHOOLS FOR A KNOWLEDGE ECONOMY PROJECT (USAID SKEP)

DRAWING NAME: GROUND FLOOR COLUMNS LAYOUT (PART 1)	
PLOT No. 1343.1334	BASIN NO. 1 AL BALAD AL SHARQI

Design: A.A.	Drawn: CAD	Checked: I.K.H.	North:
SCALE: 1:100	Date: JUNE 2020	Approved: W.Z.	
DRAWING NUMBER: SKPE-15-SCP300-1		Rev.: 0	



REV.	DATE	REMARKS
0	JUNE 2020	VOL. IV - TENDER DRAWINGS

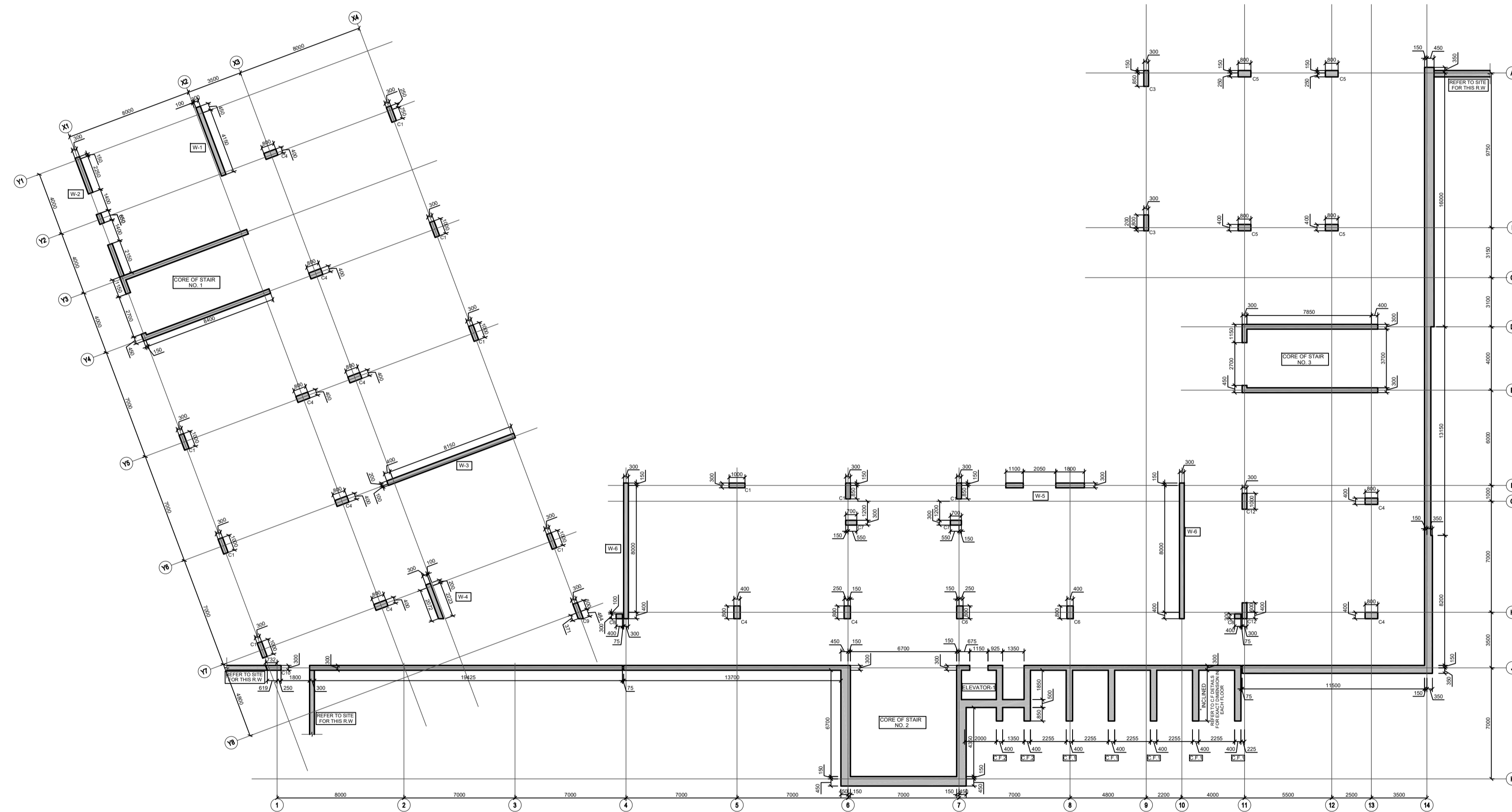
NOTES:
 ANY SITE WORK (RETAINING WALLS, PLANTERS WALLS, etc.) CONNECTED TO THE BUILDING IS SHOWN IN THIS DRAWING FOR INDICATION ONLY. REFER TO SITE DETAILS DRAWINGS FOR EXACT DIMENSIONS, LOCATION AND DETAILS.



PHASE III	AL KHANSA'A BASIC MIXED SCHOOL (AL BALQA)
PACKAGE 1	SCHOOLS FOR A KNOWLEDGE ECONOMY PROJECT (USAID SKEP)

DRAWING NAME: GROUND FLOOR COLUMNS LAYOUT (PART 2)		
PLOT No. 1343.1334	LOCATION AL KARAMA	BASIN NO. 1 AL BALAD AL SHARQI

Design: A.A.	Drawn: CAD	Checked: I.KH.	North:
SCALE: 1:100	Date: JUNE 2020	Approved: W.Z.	
DRAWING NUMBER: SKEP-15-SCP300-2			Rev.: 0



REV.	DATE	REMARKS
0	JUNE 2020	VOL. IV - TENDER DRAWINGS

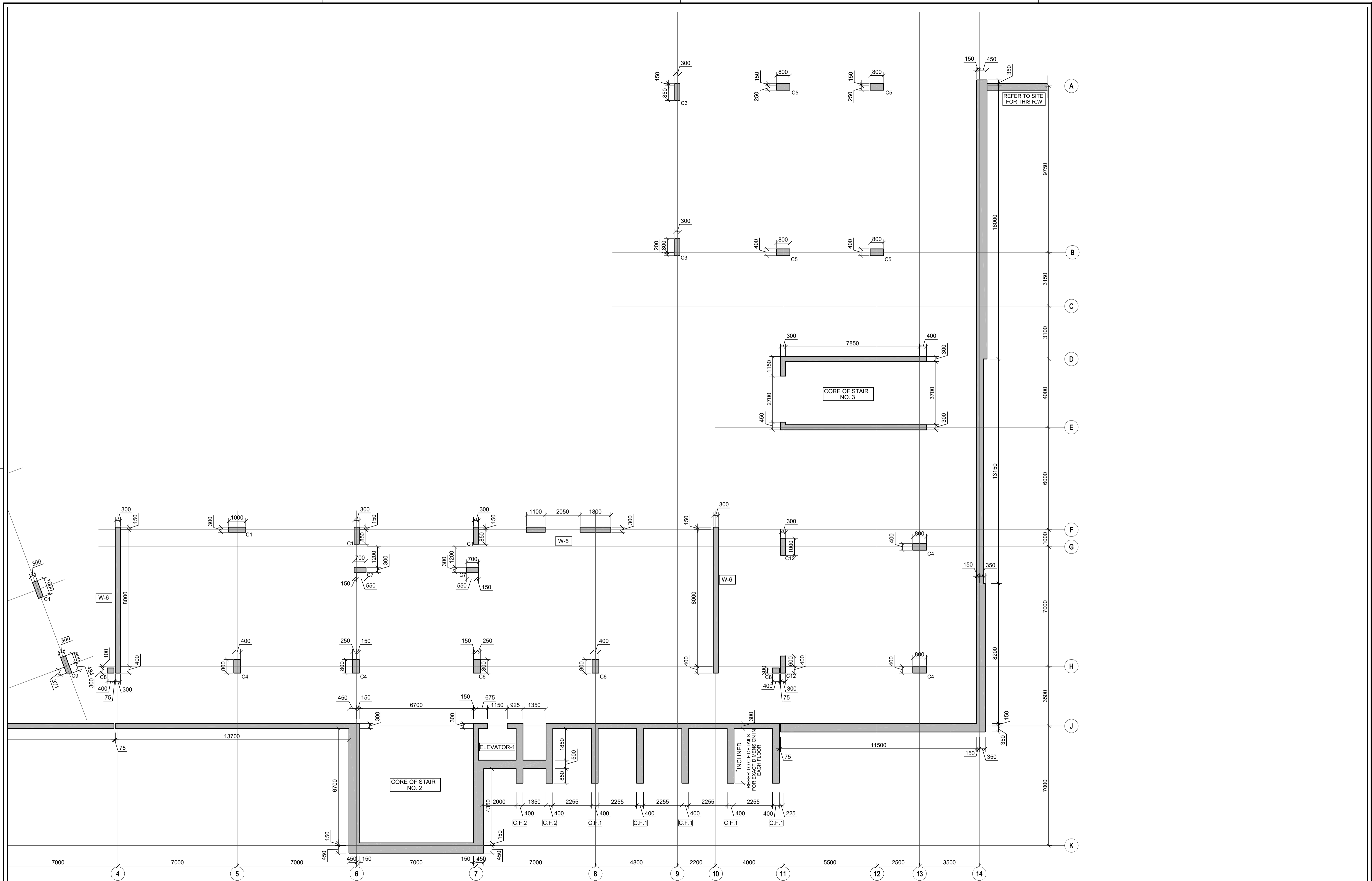
NOTES:
 ANY SITE WORK (RETAINING WALLS, PLANTERS WALLS, etc.) CONNECTED TO THE BUILDING IS SHOWN IN THIS DRAWING FOR INDICATION ONLY. REFER TO SITE DETAILS DRAWINGS FOR EXACT DIMENSIONS, LOCATION AND DETAILS.



PHASE III	AL KHANSA'A BASIC MIXED SCHOOL (AL BALQA)
PACKAGE 1	SCHOOLS FOR A KNOWLEDGE ECONOMY PROJECT (USAID SKEP)

DRAWING NAME: FIRST FLOOR COLUMNS LAYOUT (GENERAL)		
PLOT No 1343.1334	LOCATION AL KARAMA	BASIN NO 1 AL BALAD AL SHARQI

Design: A.A.	Drawn: CAD	Checked: I.KH.	North:
SCALE: 1:200	Date: JUNE 2020	Approved: W.Z.	Rev.: 0
DRAWING NUMBER: SKEP-15-SCP301			



REV.	DATE	REMARKS
0	JUNE 2020	VOL. IV - TENDER DRAWINGS

NOTES:
 ANY SITE WORK (RETAINING WALLS, PLANTERS WALLS, etc.) CONNECTED TO THE BUILDING IS SHOWN IN THIS DRAWING FOR INDICATION ONLY. REFER TO SITE DETAILS DRAWINGS FOR EXACT DIMENSIONS, LOCATION AND DETAILS.

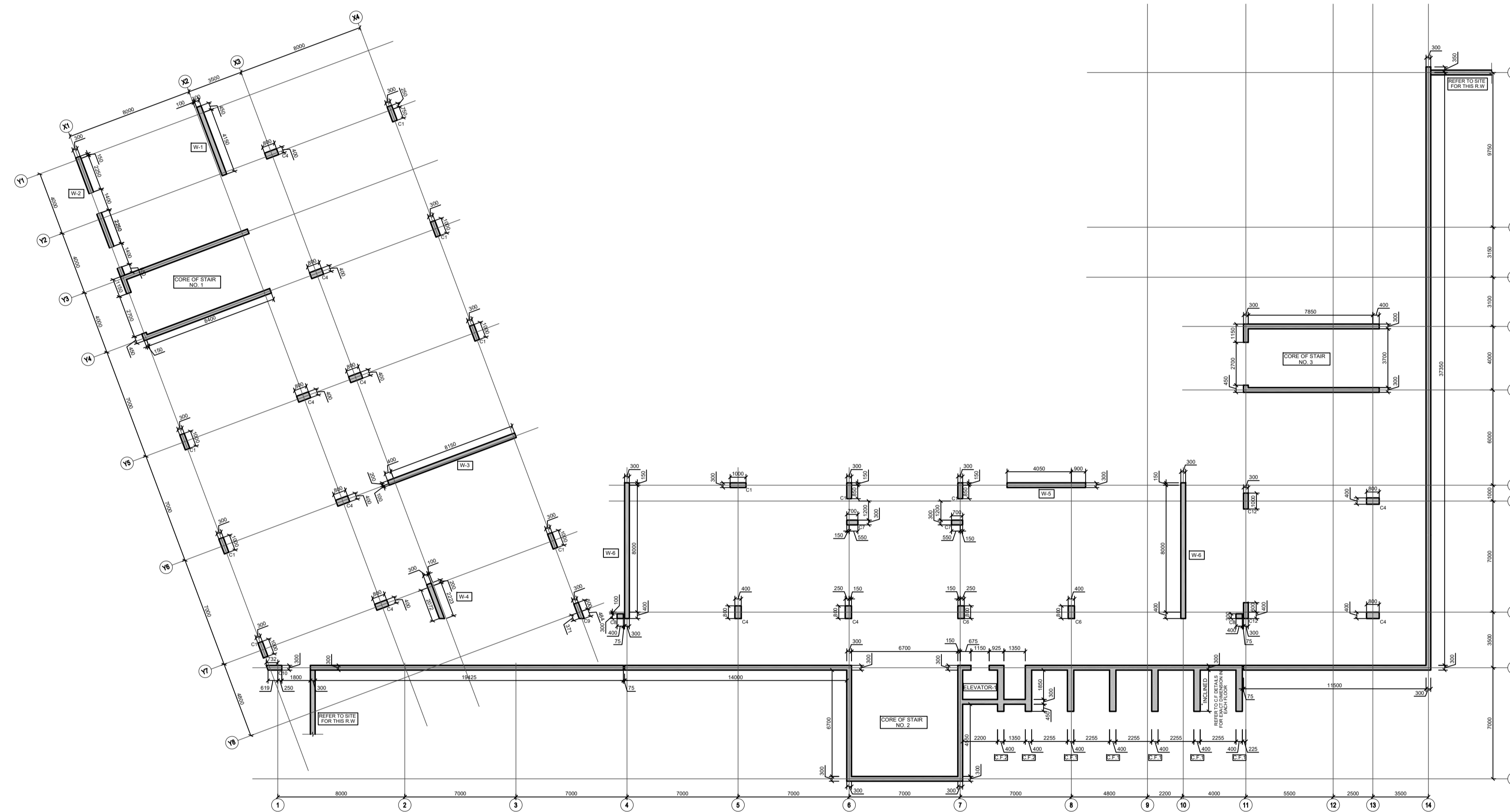


PHASE III
 PACKAGE 1
 AL KHANSA'A BASIC MIXED SCHOOL (AL BALQA)
 SCHOOLS FOR A KNOWLEDGE ECONOMY PROJECT (USAID SKEP)

DRAWING NAME:
FIRST FLOOR COLUMNS LAYOUT (PART 2)

PLOT No 1343.1334	LOCATION AL KARAMA	BASIN NO 1 AL BALAD AL SHARQI
----------------------	-----------------------	----------------------------------

Design: A.A.	Drawn: CAD	Checked: I.K.H.	North:
SCALE: 1:100	Date: JUNE 2020	Approved: W.Z.	
DRAWING NUMBER: SKEP-15-SCP301-2			Rev.: 0



REV.	DATE	REMARKS
0	JUNE 2020	VOL. IV - TENDER DRAWINGS

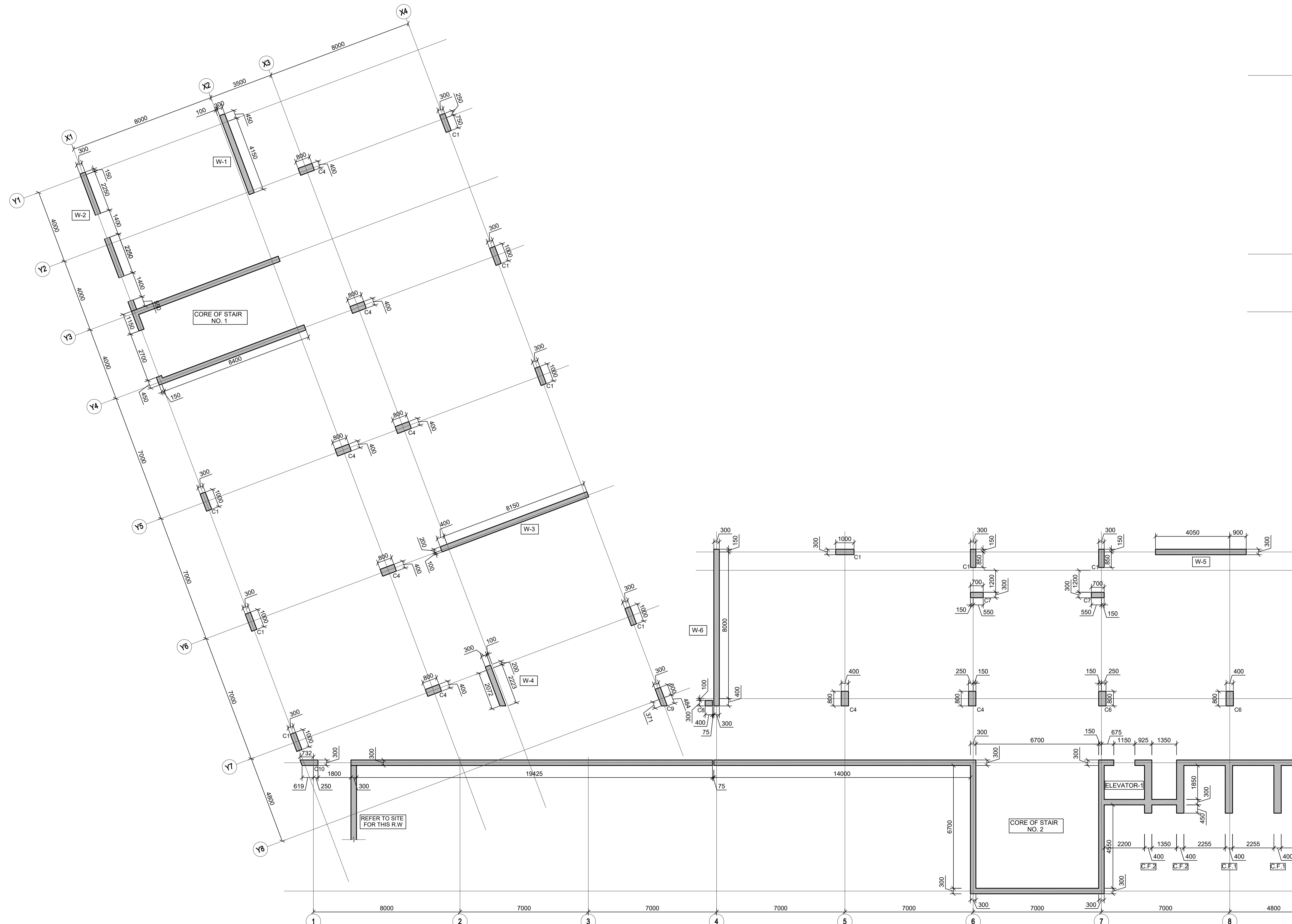
NOTES:



PHASE III	AL KHANSA'A BASIC MIXED SCHOOL (AL BALQA)
PACKAGE 1	SCHOOLS FOR A KNOWLEDGE ECONOMY PROJECT (USAID SKEP)

DRAWING NAME: SECOND FLOOR COLUMNS LAYOUT (GENERAL)		
PLOT No 1343.1334	LOCATION AL KARAMA	BASIN NO 1 AL BALAD AL SHARQI

Design: A.A.	Drawn: CAD	Checked: I.KH.	North:
SCALE: 1:200	Date: JUNE 2020	Approved: W.Z.	
DRAWING NUMBER: SKEP-15-SCP302			Rev.: 0



REV.	DATE	REMARKS
0	JUNE 2020	VOL. IV - TENDER DRAWINGS

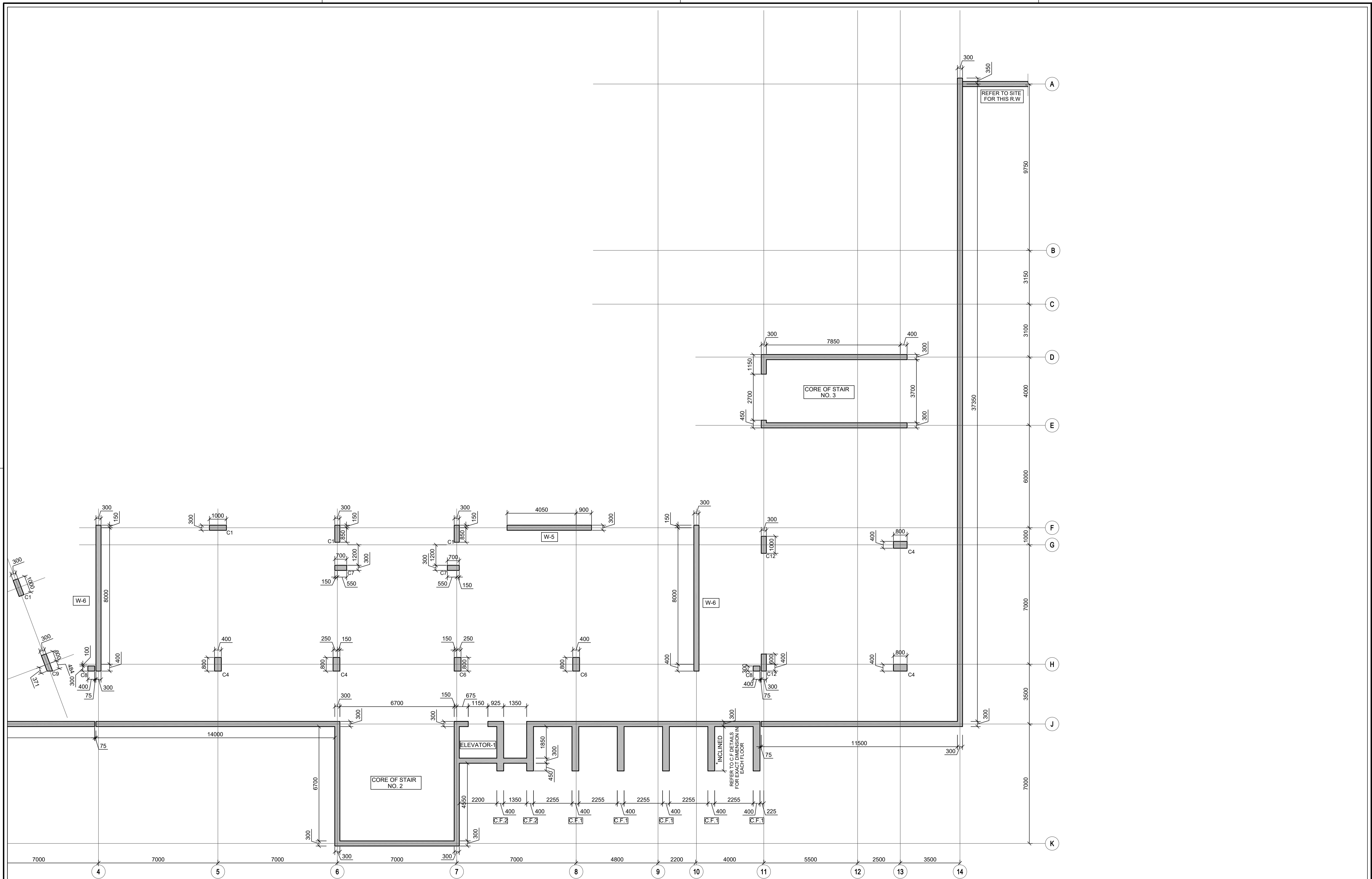
NOTES:



PHASE III
AL KHANSA'A BASIC MIXED SCHOOL (AL BALQA)
PACKAGE 1
SCHOOLS FOR A KNOWLEDGE ECONOMY PROJECT (USAID SKEP)

DRAWING NAME:
SECOND FLOOR COLUMNS LAYOUT (PART 1)
PLOT No: 1343.1334
LOCATION: AL KARAMA
BASIN NO: 1 AL BALAD AL SHARQI

Design: A.A.
Scale: 1:100
Date: JUNE 2020
Drawing Number: **SKEP-15-SCP302-1**
Checked: I.K.H.
Approved: W.Z.
Rev.: 0



REV.	DATE	REMARKS
0	JUNE 2020	VOL. IV - TENDER DRAWINGS

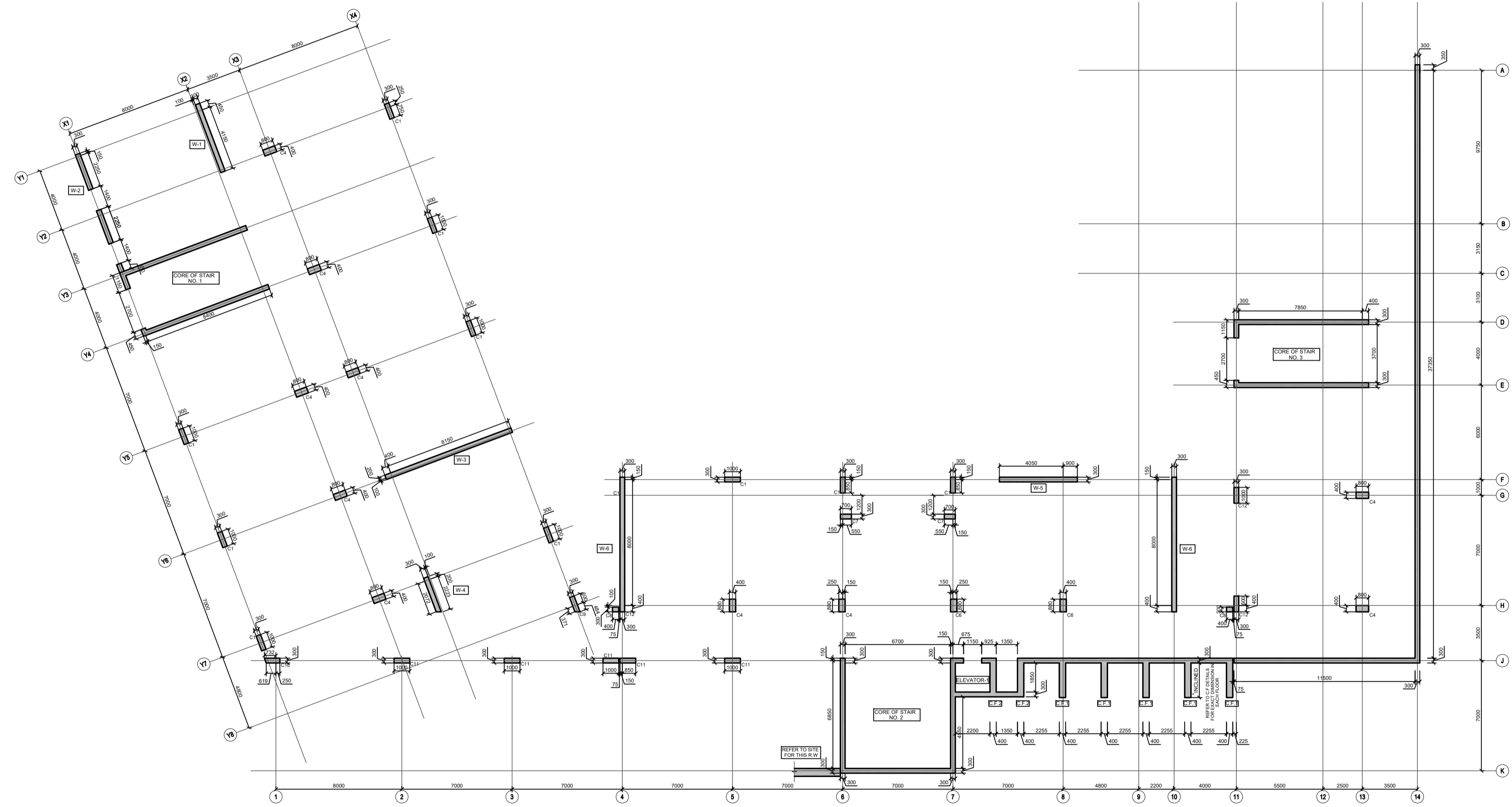
NOTES:



PHASE III	AL KHANSA'A BASIC MIXED SCHOOL (AL BALQA)
PACKAGE 1	SCHOOLS FOR A KNOWLEDGE ECONOMY PROJECT (USAID SKEP)

DRAWING NAME: SECOND FLOOR COLUMNS LAYOUT (PART 2)		
PLOT No. 1343.1334	LOCATION AL KARAMA	BASIN NO. 1 AL BALAD AL SHARQI

Design: A.A.	Drawn: CAD	Checked: I.K.H.	North:
SCALE: 1:100	Date: JUNE 2020	Approved: W.Z.	
DRAWING NUMBER: SKEP-15-SCP302-2			Rev.: 0



REV.	DATE	REMARKS
0	JUNE 2020	VOL. IV - TENDER DRAWINGS

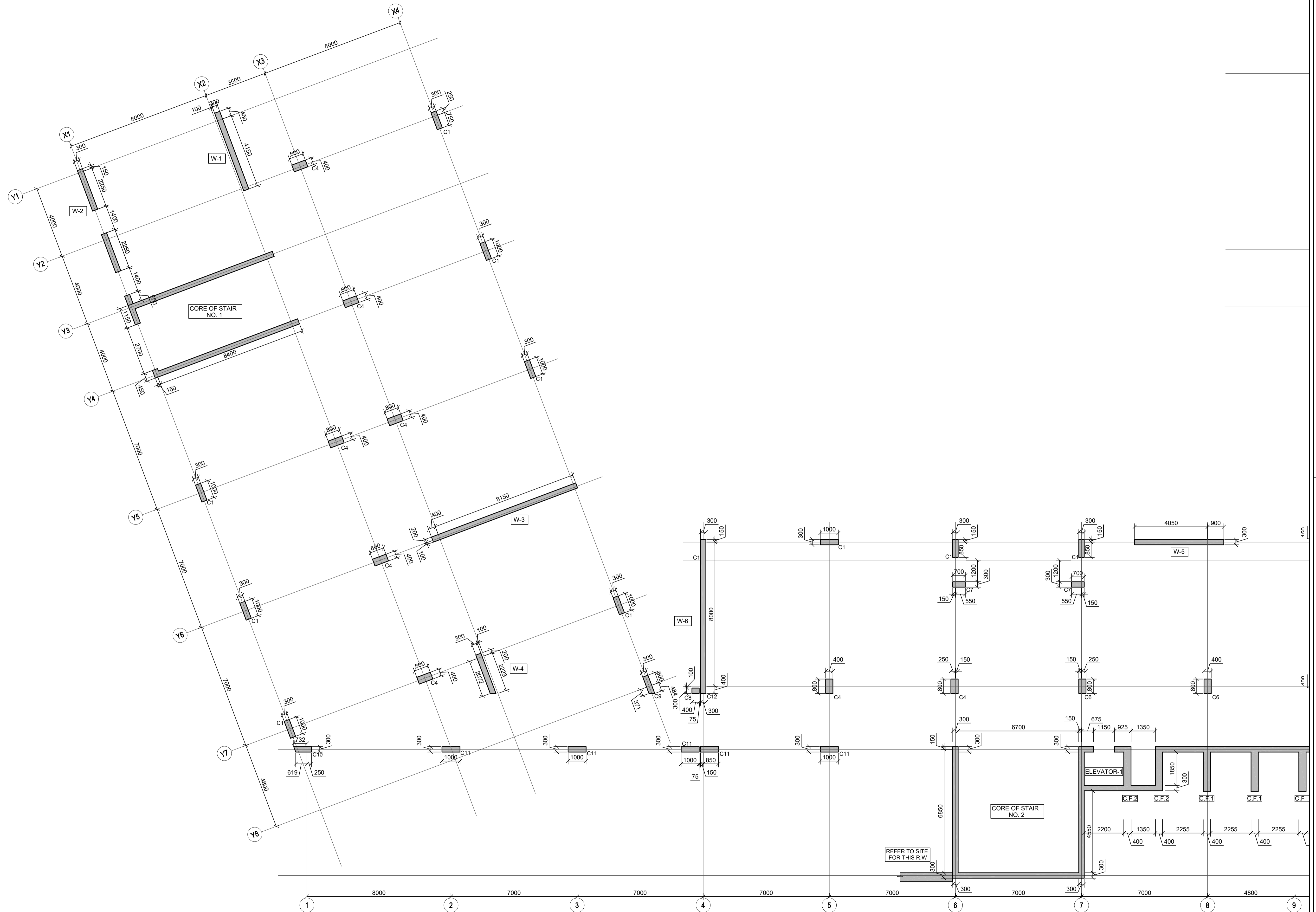
NOTES:



PHASE III
 PACKAGE 1
 AL KHANSA'A BASIC MIXED SCHOOL (AL BALQA)
 SCHOOLS FOR A KNOWLEDGE ECONOMY PROJECT (USAID SKEP)

DRAWING NAME:
 THIRD FLOOR COLUMNS LAYOUT (GENERAL)
 PLOT No: 1343.1334
 LOCATION: AL KARAMA
 BASIN NO: 1 AL BALAD AL SHARQI

Design: A.A.	Drawn: CAD	Checked: I.K.H.	North:
SCALE: 1:200	Date: JUNE 2020	Approved: W.Z.	
DRAWING NUMBER: SKEP-15-SCP303			Rev.: 0



REV.	DATE	REMARKS
0	JUNE 2020	VOL. IV - TENDER DRAWINGS

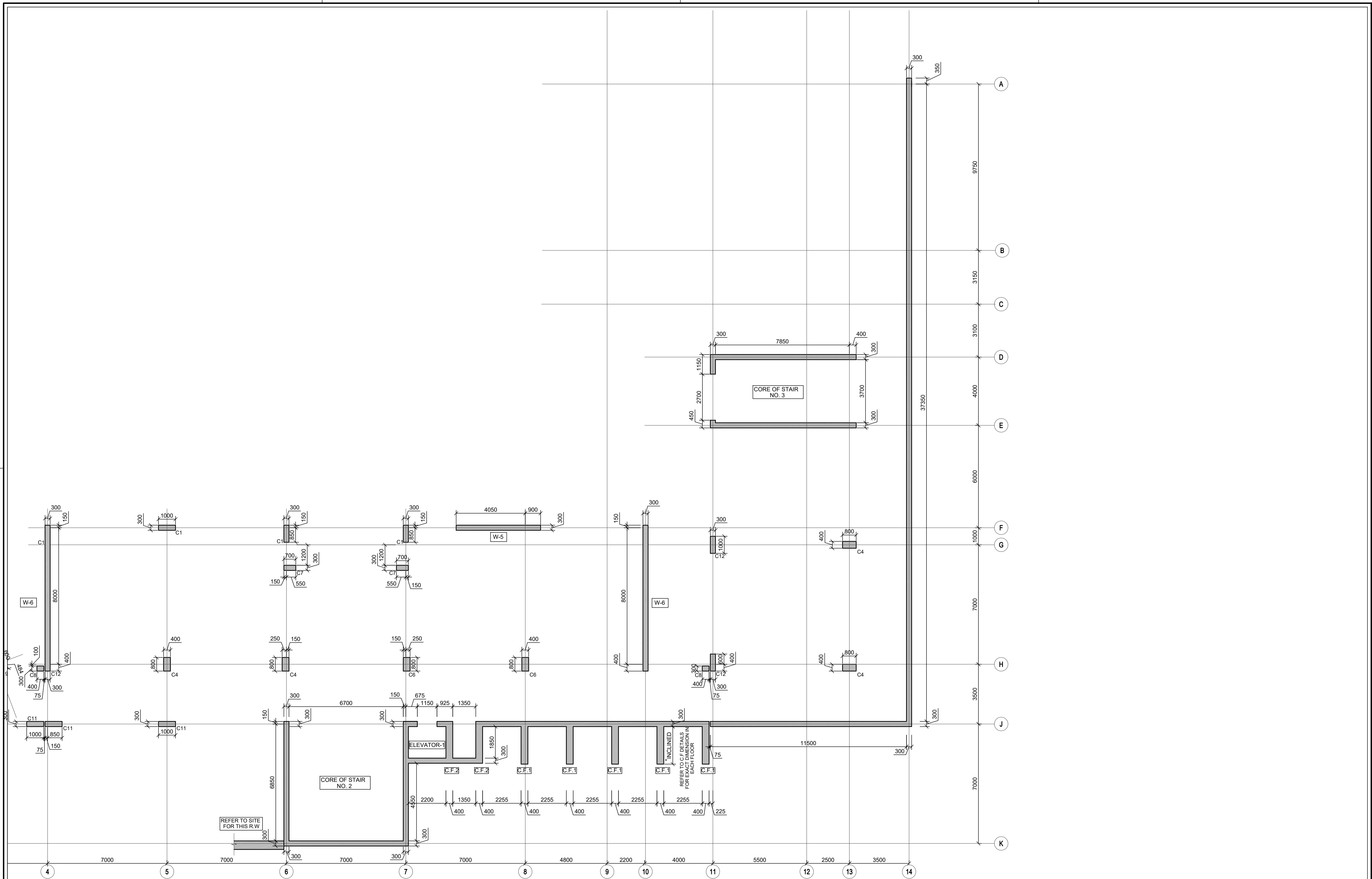
NOTES:



PHASE III
 PACKAGE 1
 AL KHANSA'A BASIC MIXED SCHOOL (AL BALQA)
 SCHOOLS FOR A KNOWLEDGE ECONOMY PROJECT (USAID SKEP)

DRAWING NAME:
 THIRD FLOOR COLUMNS LAYOUT (PART 1)
 PLOT No: 1343.1334
 LOCATION: AL KARAMA
 BASIN NO: 1 AL BALAD AL SHARQI

Design: A.A.
 Drawn: CAD
 Checked: I.K.H.
 Approved: W.Z.
 Date: JUNE 2020
 DRAWING NUMBER: SKEP-15-SCP303-1
 Rev.: 0



REV.	DATE	REMARKS
0	JUNE 2020	VOL. IV - TENDER DRAWINGS

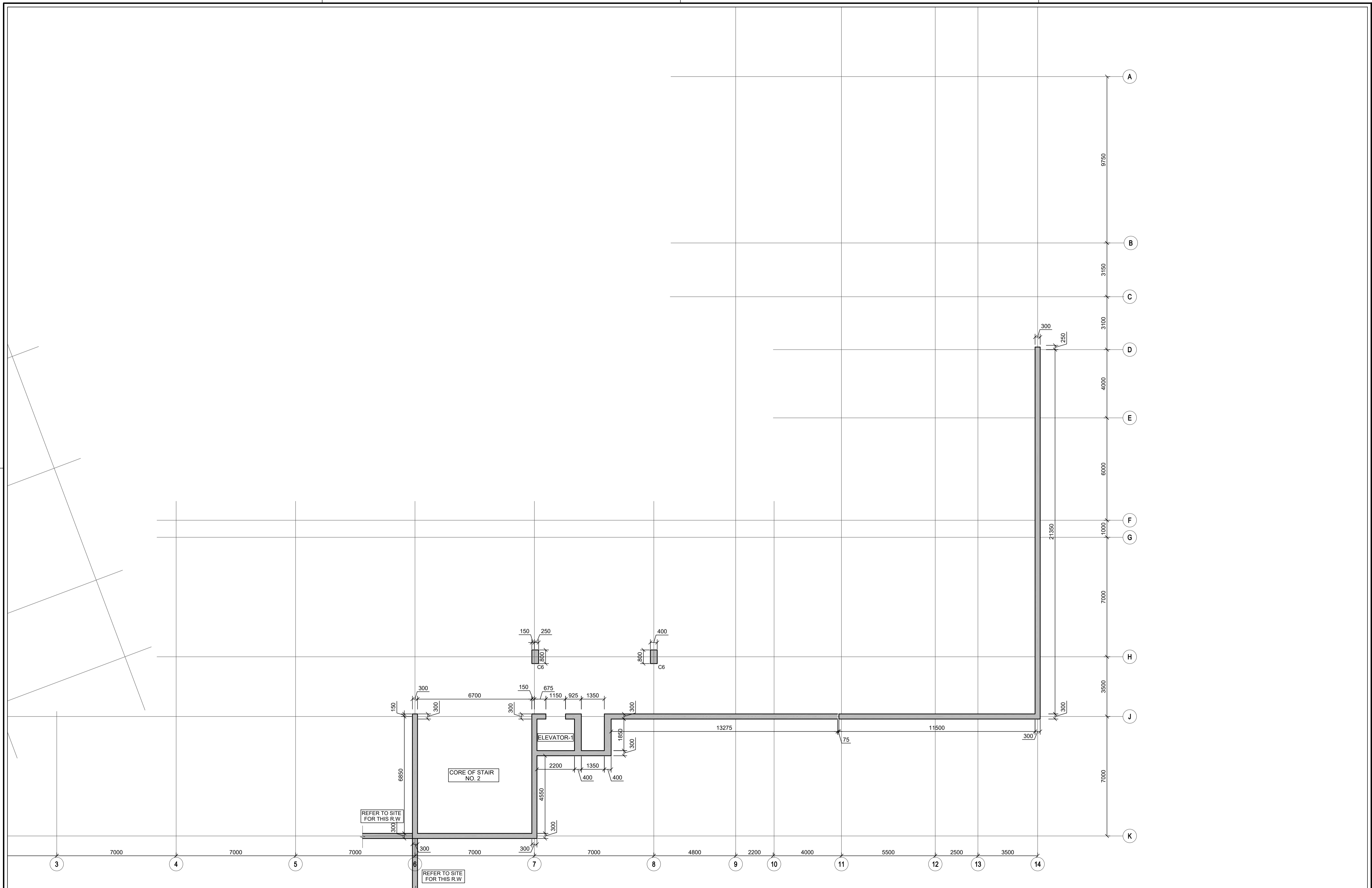
NOTES:
 ANY SITE WORK (RETAINING WALLS, PLANTERS WALLS, etc.) CONNECTED TO THE BUILDING IS SHOWN IN THIS DRAWING FOR INDICATION ONLY. REFER TO SITE DETAILS DRAWINGS FOR EXACT DIMENSIONS, LOCATION AND DETAILS.



PHASE III
 PACKAGE 1
 AL KHANSA'A BASIC MIXED SCHOOL (AL BALQA)
 SCHOOLS FOR A KNOWLEDGE ECONOMY PROJECT (USAID SKEP)

DRAWING NAME: THIRD FLOOR COLUMNS LAYOUT (PART 2)		
PLOT No. 1343.1334	LOCATION AL KARAMA	BASIN NO. 1 AL BALAD AL SHARQI

Design: A.A.	Drawn: CAD	Checked: I.KH.	North:
SCALE: 1:100	Date: JUNE 2020	Approved: W.Z.	
DRAWING NUMBER: SKEP-15-SCP303-2			Rev.: 0



REV.	DATE	REMARKS
0	JUNE 2020	VOL. IV - TENDER DRAWINGS

NOTES:
 ANY SITE WORK (RETAINING WALLS, PLANTERS WALLS, etc.) CONNECTED TO THE BUILDING IS SHOWN IN THIS DRAWING FOR INDICATION ONLY. REFER TO SITE DETAILS DRAWINGS FOR EXACT DIMENSIONS, LOCATION AND DETAILS.



USAID
 FROM THE AMERICAN PEOPLE



PHASE III
 PACKAGE 1
 AL KHANSA'A BASIC MIXED SCHOOL (AL BALQA)
 SCHOOLS FOR A KNOWLEDGE ECONOMY PROJECT (USAID SKEP)

DRAWING NAME:
ROOF FLOOR COLUMNS LAYOUT

PLOT No: 1343.1334
 LOCATION: AL KARAMA
 BASIN NO: 1 AL BALAD AL SHARQI

Design: A.A.	Drawn: CAD	Checked: I.KH.	North:
SCALE: 1:100	Date: JUNE 2020	Approved: W.Z.	
DRAWING NUMBER: SKEP-15-SCP304			Rev.: 0

COL. No.	C1	C2	C3	C4	C5	C6	C7	C8	C9	C10	C11	C12
FLOOR												
GROUND												
FIRST												
SECOND			REFER TO FIRST FLOOR PLAN FOR END LEVEL OF C3		REFER TO FIRST FLOOR PLAN FOR END LEVEL OF C5							
THIRD												
ROOF												
No. OF COL. ON ONE PLAN	(10)	(2)	(2)	(10)	(4)	(2)	(2)	(2)	(1)	(1)	(5)	(2)

REV.	DATE	REMARKS
0	JUNE 2020	VOL. IV - TENDER DRAWINGS

NOTES:



PHASE III	AL KHANSA'A BASIC MIXED SCHOOL (AL BALQA)
PACKAGE 1	SCHOOLS FOR A KNOWLEDGE ECONOMY PROJECT (USAID SKEP)

DRAWING NAME:		COLUMNS REINFORCEMENT SCHEDULE	
PLOT No:	LOCATION:	BASIN NO:	
1343.1334	AL KARAMA	1 AL BALAD AL SHARQI	

Design:	A.A.	Drawn:	CAD	Checked:	I.KH.	North:	
SCALE:	1:25	Date:	JUNE 2020	Approved:	W.Z.		
DRAWING NUMBER:		SKEP-15-SCP305		Rev.:	0		

WALLS REINFORCEMENT SCHEDULE

WALL No.	W1	W2
FLOOR		
GROUND		
FIRST		
SECOND		
THIRD		
ROOF	X	X

REV.	DATE	REMARKS
0	JUNE 2020	VOL. IV - TENDER DRAWINGS

NOTES:



PHASE III
AL KHANSA'A BASIC MIXED SCHOOL (AL BALQA)
PACKAGE 1
SCHOOLS FOR A KNOWLEDGE ECONOMY PROJECT (USAID SKEP)

DRAWING NAME:
SINGLE WALLS REINFORCEMENT SCHEDULE
SHEET (1 OF 3)
PLOT No: 1343.1334
LOCATION: AL KARAMA
BASIN NO: 1 AL BALAD AL SHARQI

Design: A.A.
Scale: 1:25
Date: JUNE 2020
Drawing Number: SKEP-15-SCP306
Checked: I.K.H.
Approved: W.Z.
Rev.: 0

WALLS REINFORCEMENT SCHEDULE

WALL No.	W3	W4
FLOOR		
GROUND		
FIRST		
SECOND		
THIRD		
ROOF		

REV.	DATE	REMARKS
0	JUNE 2020	VOL. IV - TENDER DRAWINGS

NOTES:



PHASE III
AL KHANSA'A BASIC MIXED SCHOOL (AL BALQA)
PACKAGE 1
SCHOOLS FOR A KNOWLEDGE ECONOMY PROJECT (USAID SKEP)

DRAWING NAME: SINGLE WALLS REINFORCEMENT SCHEDULE SHEET (2 OF 3)		
PLOT No. 1343.1334	LOCATION AL KARAMA	BASIN NO. 1 AL BALAD AL SHARQI

Design: A.A.	Drawn: CAD	Checked: I.KH.	North:
SCALE: 1:25	Date: JUNE 2020	Approved: W.Z.	
DRAWING NUMBER: SKEP-15-SCP307			Rev.: 0

WALLS REINFORCEMENT SCHEDULE

WALL No.	W5		W6 (2 No.)	
FLOOR				
GROUND				
FIRST				
SECOND				
THIRD				
ROOF	X		X	

REV.	DATE	REMARKS
0	JUNE 2020	VOL. IV - TENDER DRAWINGS

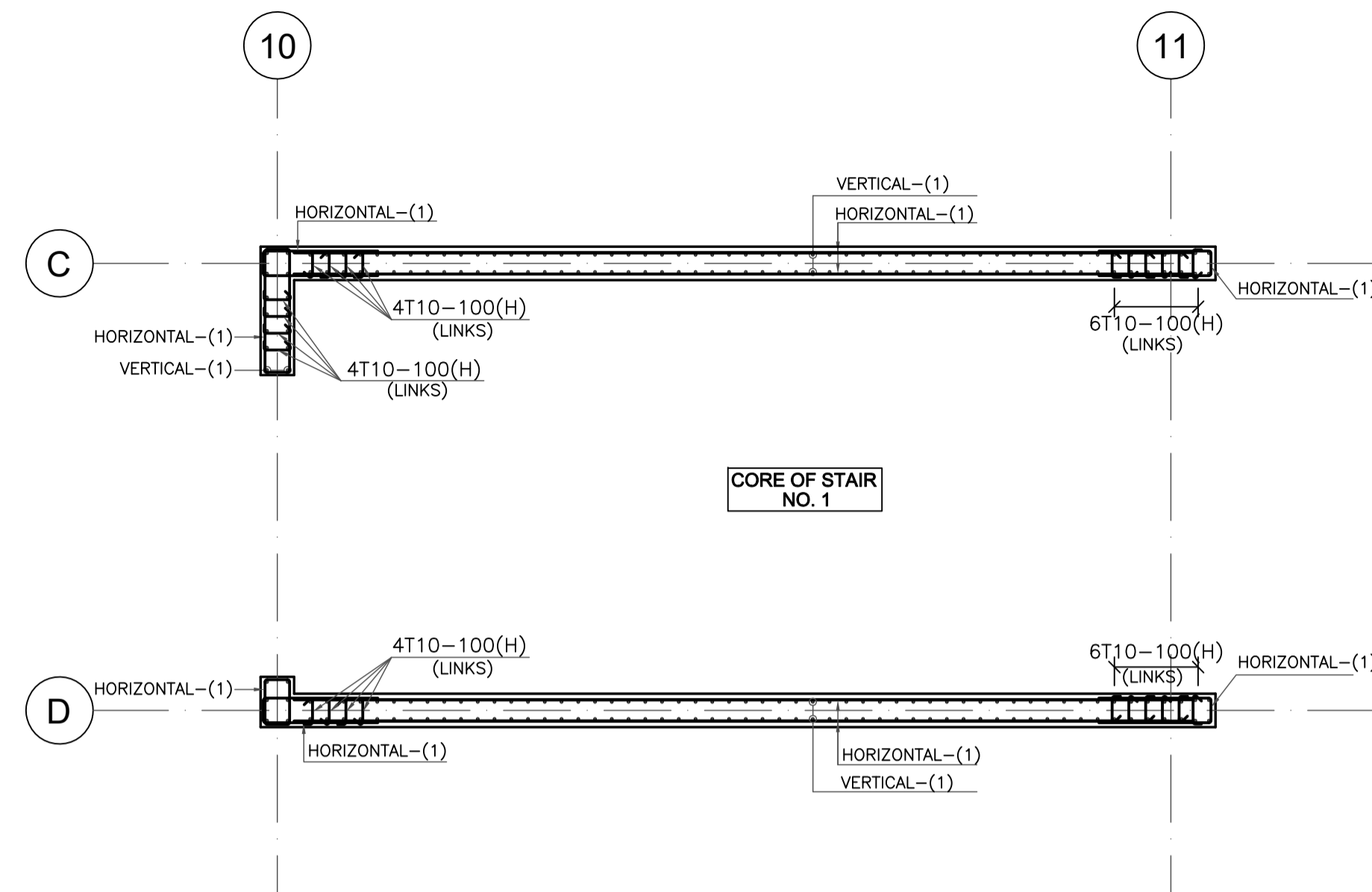
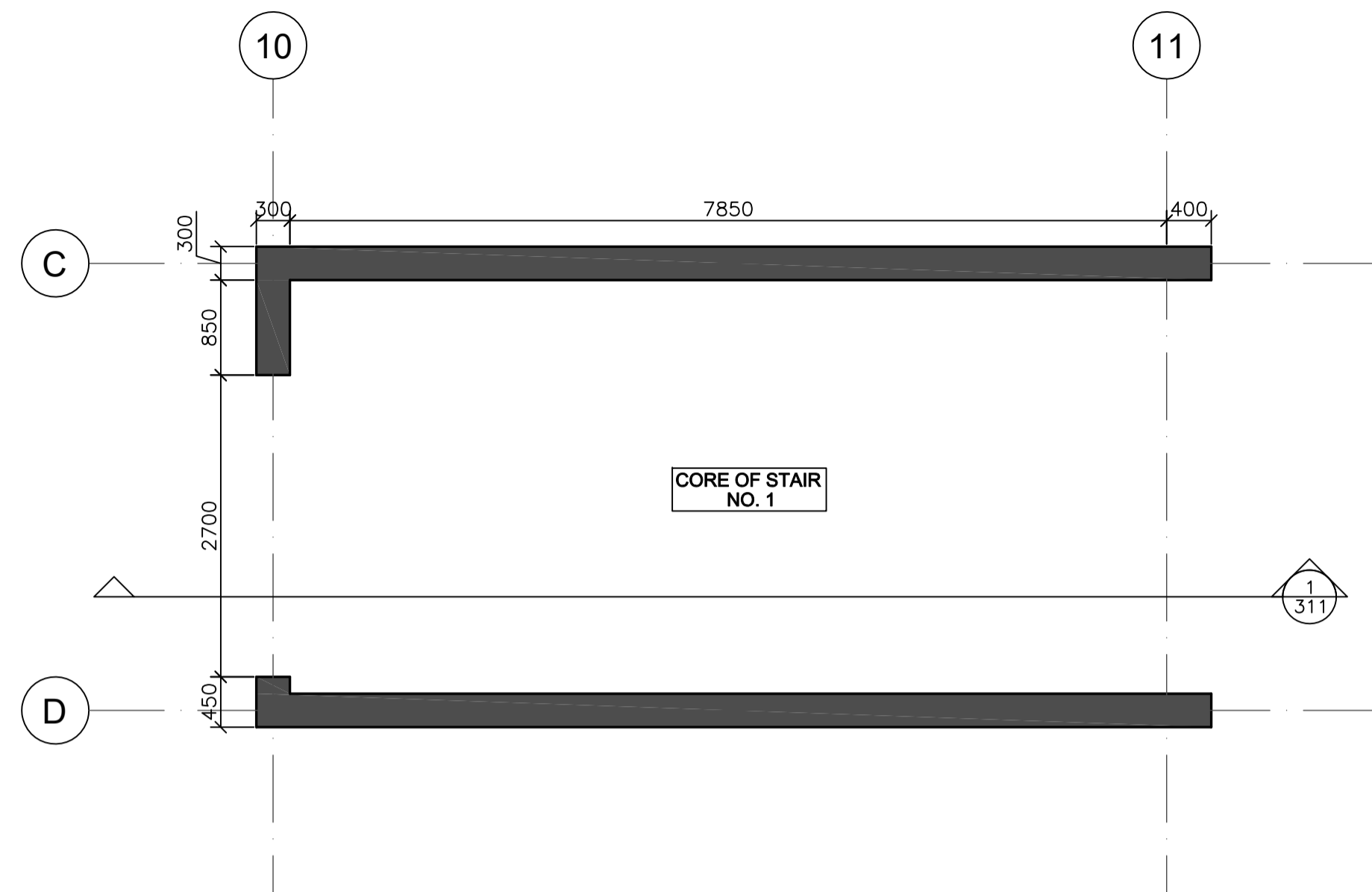
NOTES:



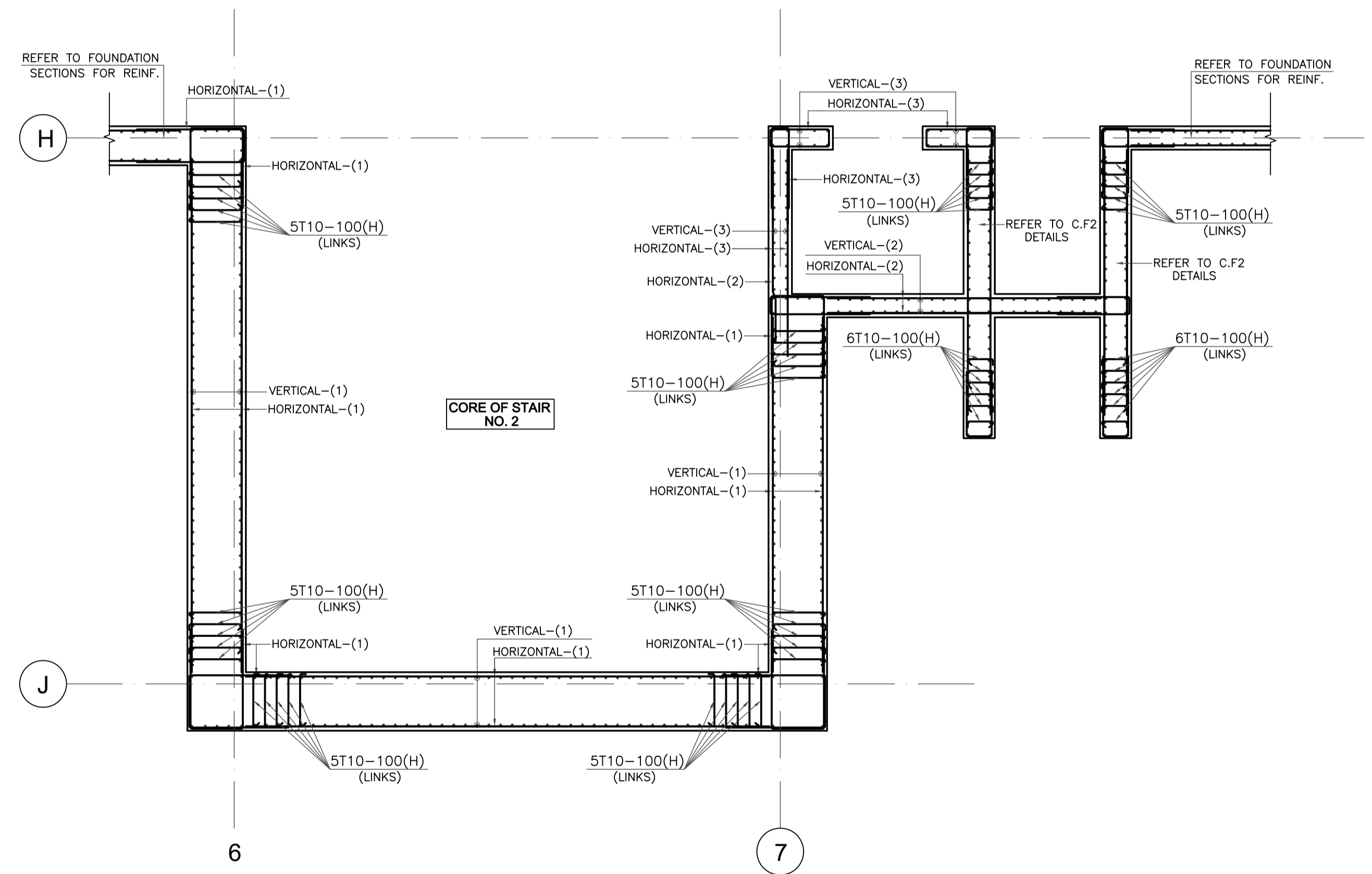
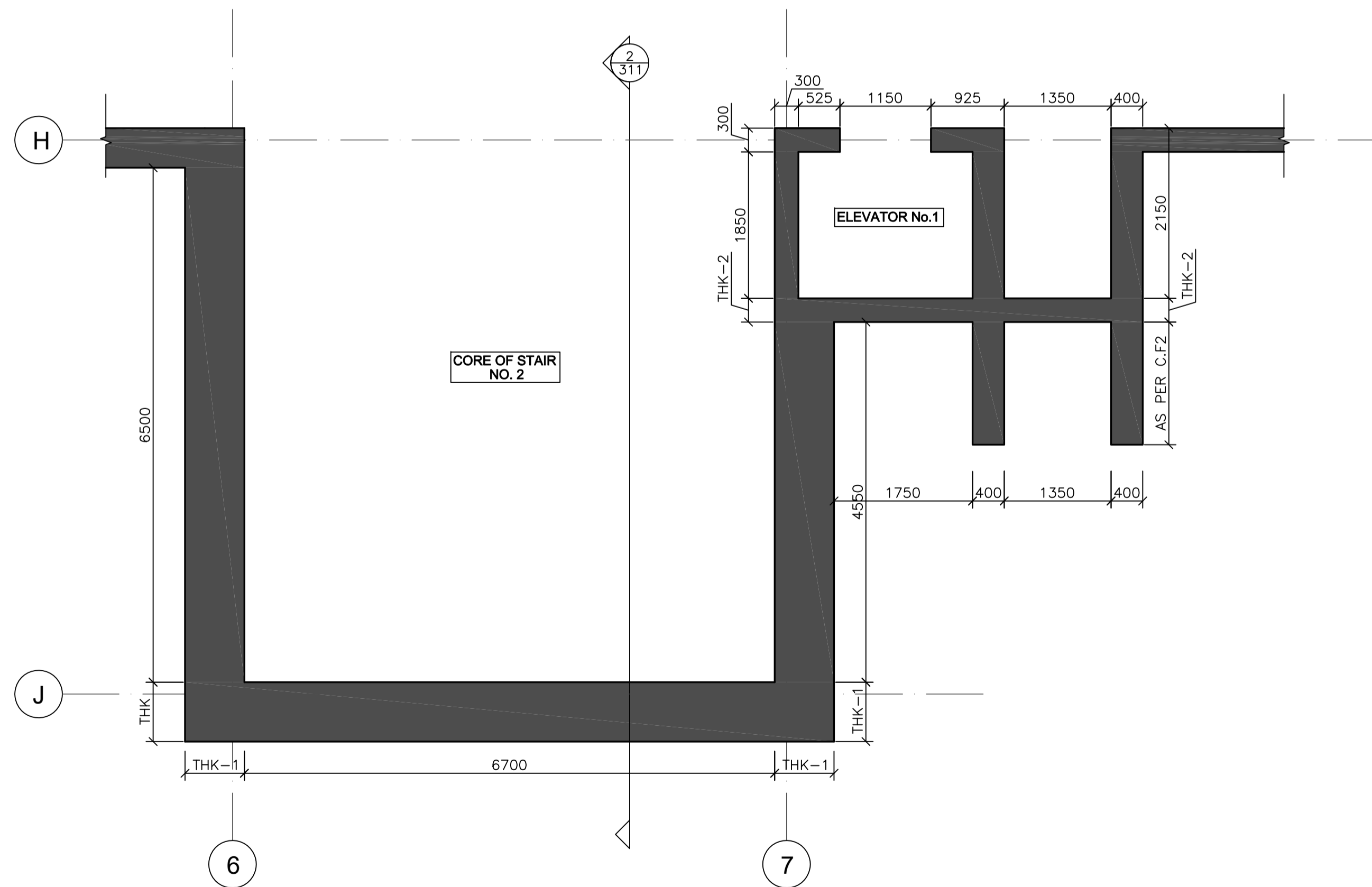
PHASE III
AL KHANSA'A BASIC MIXED SCHOOL (AL BALQA)
PACKAGE 1
SCHOOLS FOR A KNOWLEDGE ECONOMY PROJECT (USAID SKEP)

DRAWING NAME:
SINGLE WALLS REINFORCEMENT SCHEDULE
SHEET (3 OF 3)
PLOT No: 1343.1334
LOCATION: AL KARAMA
BASIN NO: 1 AL BALAD AL SHARQI

Design: A.A.
Drawn: CAD
Checked: I.KH.
SCALE: 1:25
Date: JUNE 2020
Approved: W.Z.
DRAWING NUMBER: SKEP-15-SCP308
Rev.: 0



REINFORCEMENT OF CORE OF STAIR No.1				
FLOOR	HORIZONTAL (1)	VERTICAL (1)	WALL THICKNESS	LINKS
GROUND	1T18-150	1T18-150	300	AS SHOWN
FIRST	1T14-150	1T14-150	300	AS SHOWN
SECOND	1T12-200	1T12-150	300	--
THIRD	1T12-200	1T12-150	300	--
ROOF				



REV.	DATE	REMARKS
0	JUNE 2020	VOL. IV - TENDER DRAWINGS

NOTES:



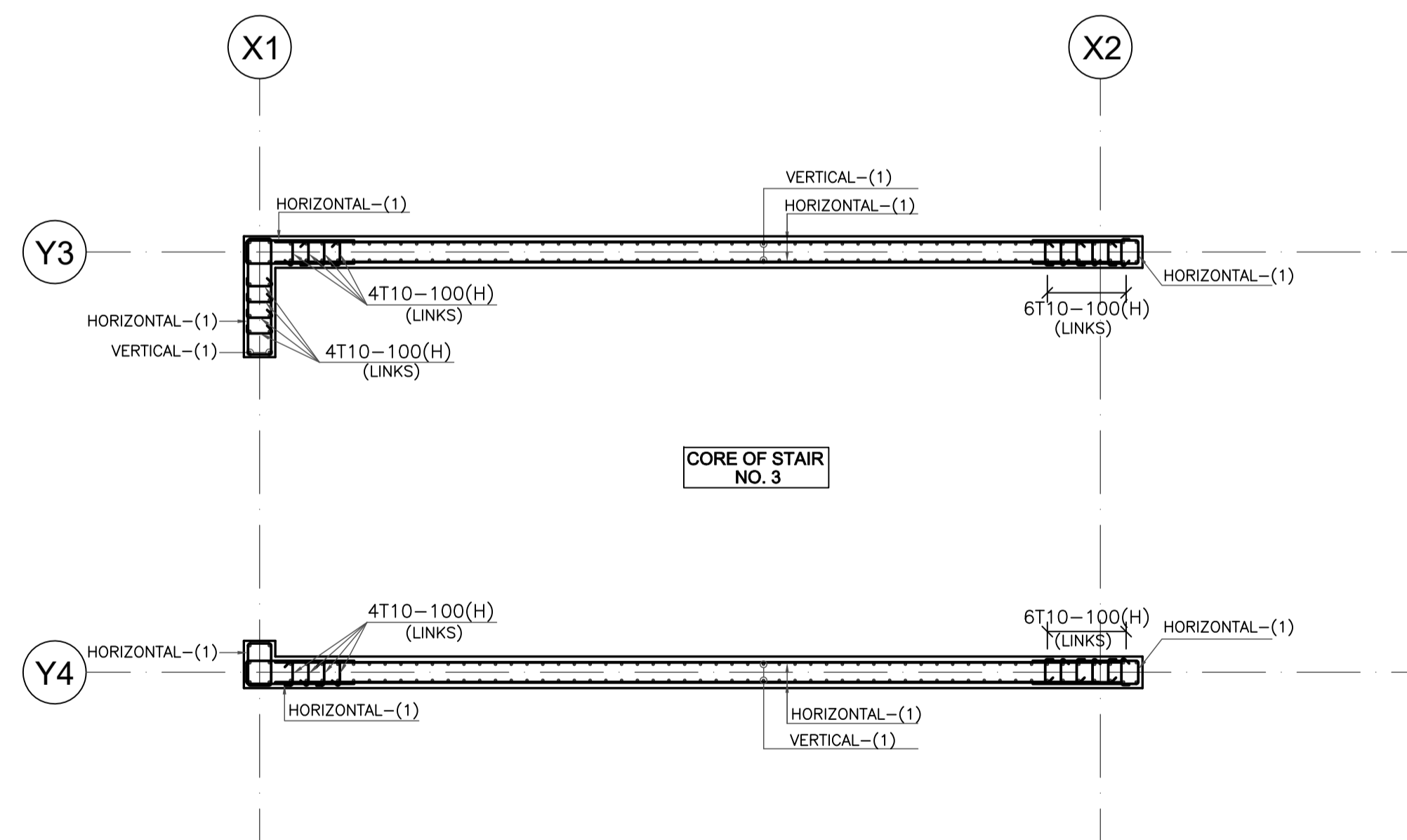
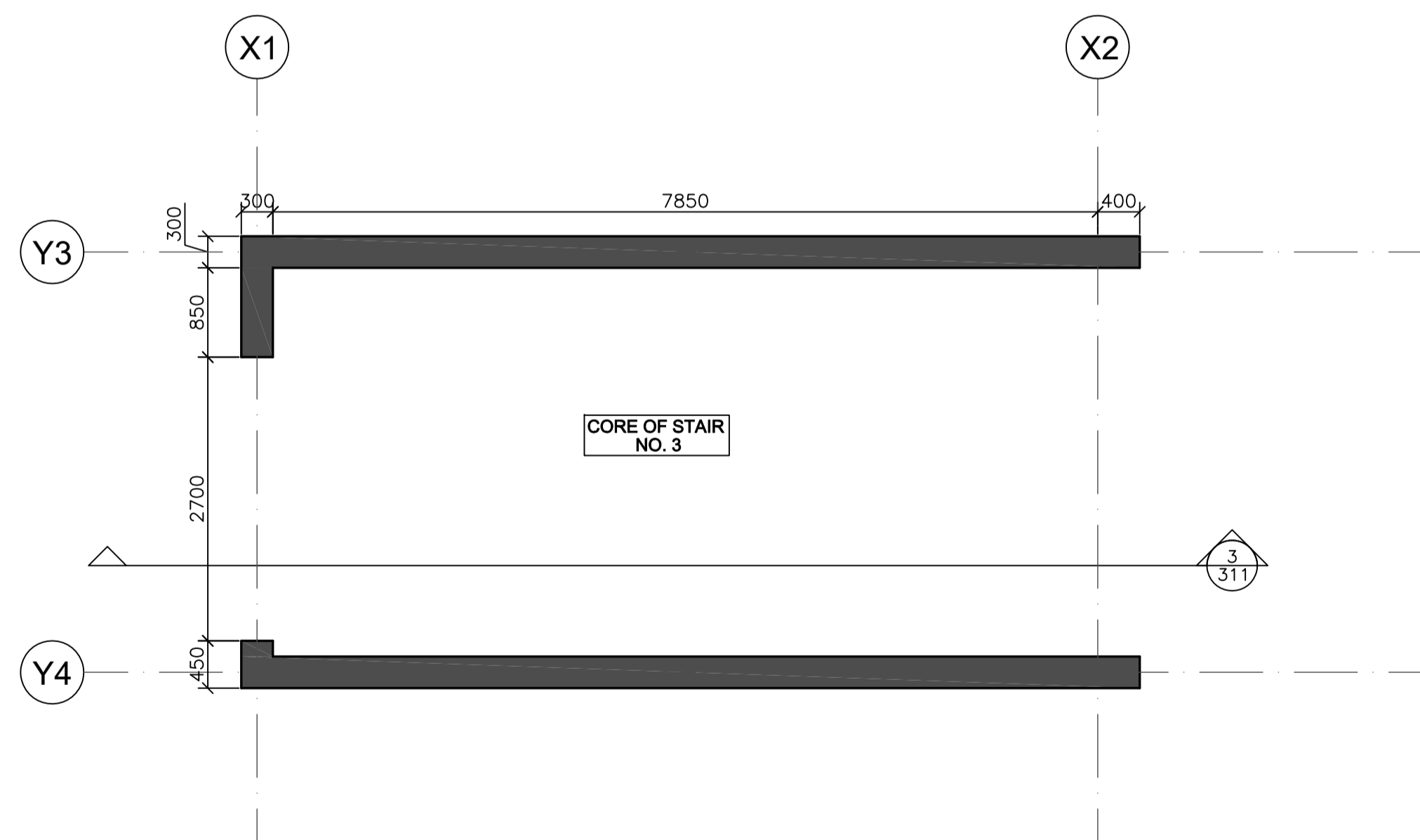
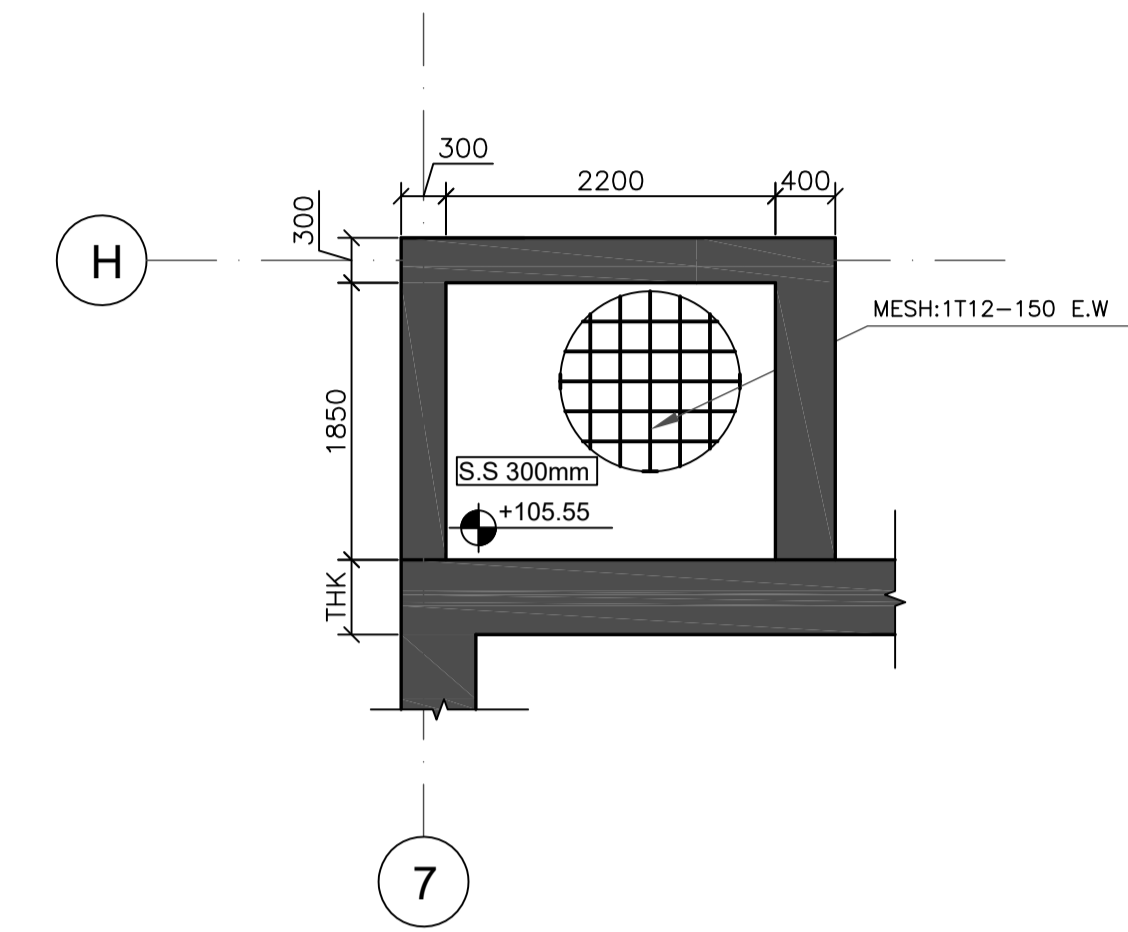
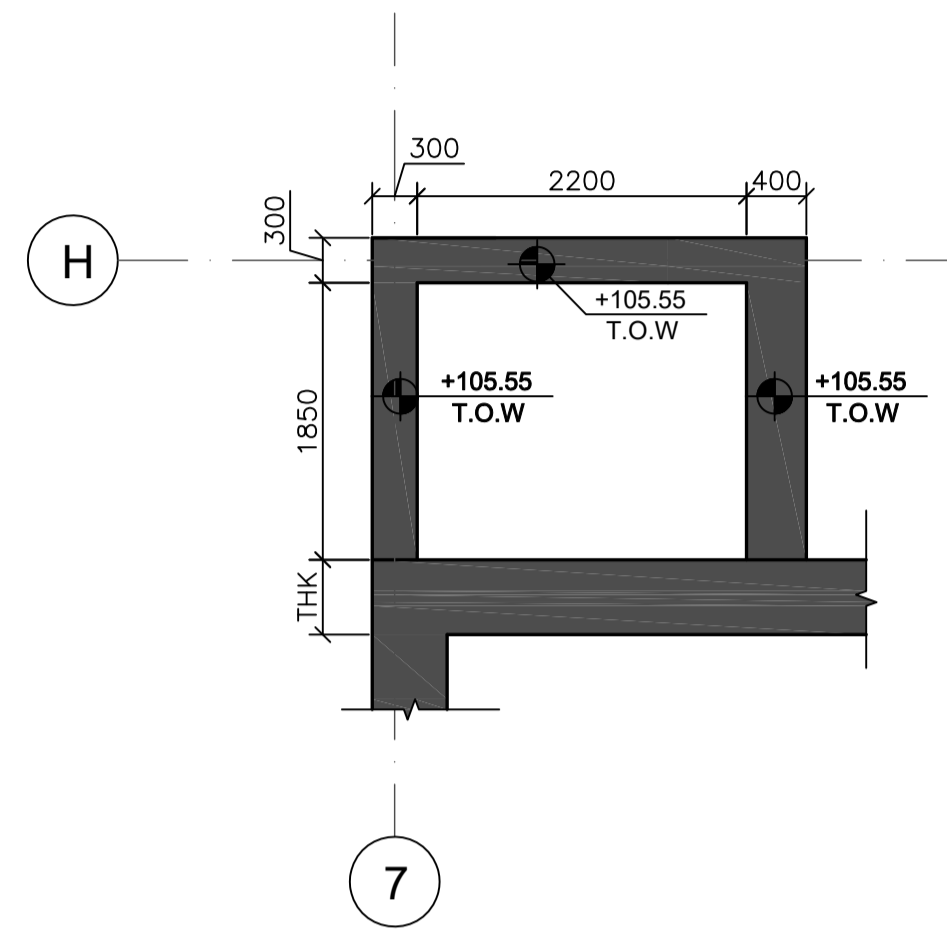
PHASE III	AL KHANSA'A BASIC MIXED SCHOOL (AL BALQA)
PACKAGE 1	SCHOOLS FOR A KNOWLEDGE ECONOMY PROJECT (USAID SKEP)

DRAWING NAME: CORE OF STAIR No.1 & No.2 REINFORCEMENT DETAILS		
PLOT No. 1343.1334	LOCATION AL KARAMA	BASIN NO. 1 AL BALAD AL SHARQI

Design: A.A.	Drawn: CAD	Checked: I.KH.	North:
SCALE: 1:50	Date: JUNE 2020	Approved: W.Z.	
DRAWING NUMBER: SKEP-15-SCP309			Rev.: 0

REINFORCEMENT OF CORE OF STAIR No.2									
FLOOR	HORIZONTAL (1)	VERTICAL (1)	HORIZONTAL (2)	VERTICAL (2)	HORIZONTAL (3)	VERTICAL (3)	* WALL THICKNESS (1)	* WALL THICKNESS (2)	LINKS
GROUND	1T20-150	1T25-150	1T14-150	1T20-150	1T14-150	1T12-150	800	500	AS SHOWN
FIRST	1T18-150	1T18-150	1T14-150	1T14-150	1T12-200	1T12-150	600	500	AS SHOWN
SECOND	1T14-150	1T12-150	1T14-150	1T12-150	1T12-200	1T12-150	300	300	--
THIRD	1T12-200	1T12-150	1T12-150	1T12-150	1T12-200	1T12-150	300	300	--
ROOF	1T12-200	1T12-150	1T12-150	1T12-150	1T12-200	1T12-150	300	300	--
T.O.R	1T12-200	1T12-150	1T12-150	1T12-150	1T12-200	1T12-150	300	300	--

* SOME WALLS HAVE DIFFERENT THICKNESS BETWEEN FLOORS, ACCORDINGLY, DO NOT USE THIS THICKNESS IF THE DIMENSION IS PROVIDED IN THE RELATED DRAWING (SCP309).



REINFORCEMENT OF CORE OF STAIR No.3				
FLOOR	HORIZONTAL (1)	VERTICAL (1)	WALL THICKNESS	LINKS
GROUND	1T18-150	1T16-150	300	AS SHOWN
FIRST	1T12-150	1T12-150	300	AS SHOWN
SECOND	1T12-200	1T12-150	300	--
THIRD	1T12-200	1T12-150	300	--
ROOF				

REV.	DATE	REMARKS
0	JUNE 2020	VOL. IV - TENDER DRAWINGS

NOTES:

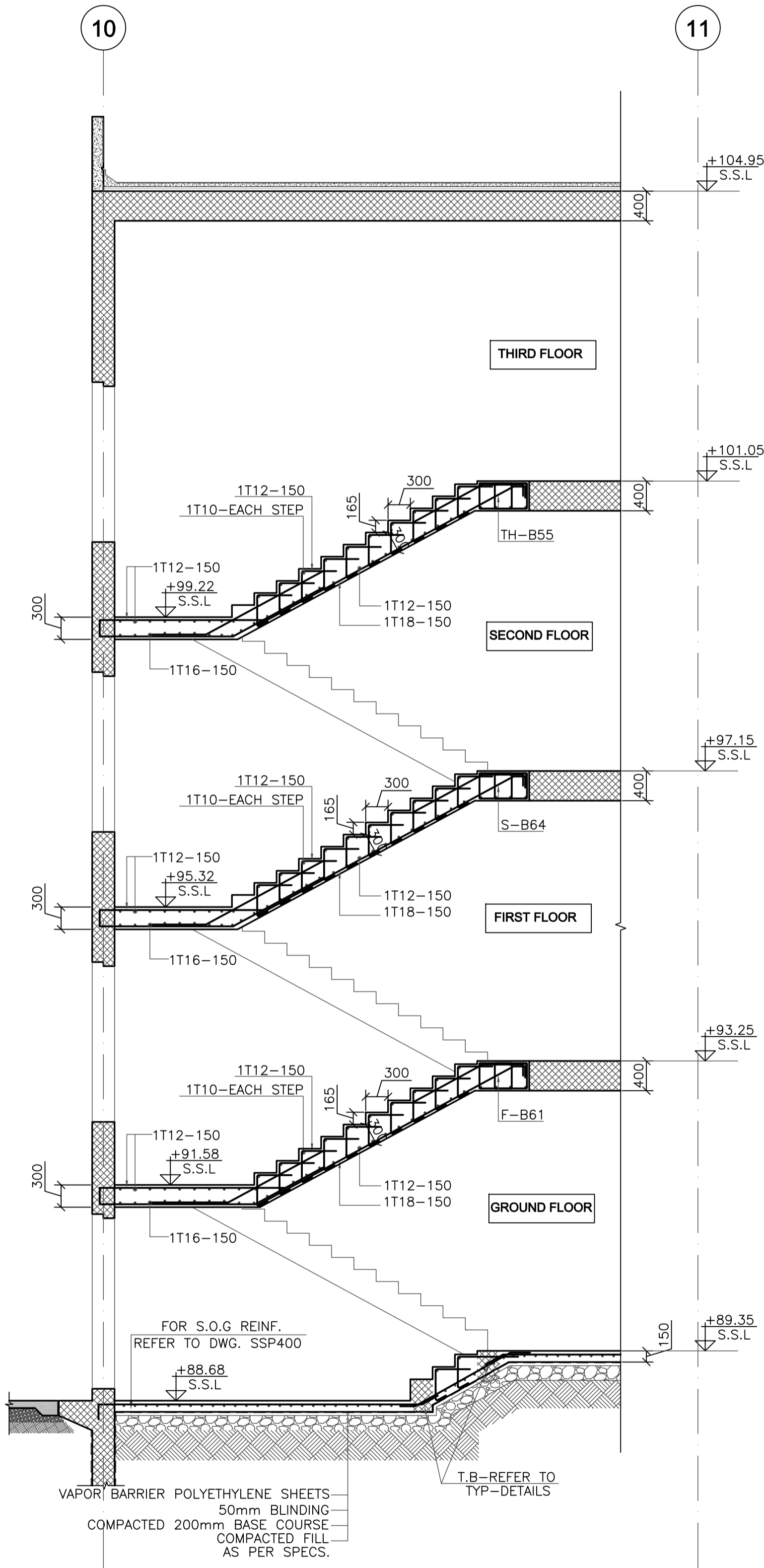


PHASE III
AL KHANSA'A BASIC MIXED SCHOOL (AL BALQA)
PACKAGE 1
SCHOOLS FOR A KNOWLEDGE ECONOMY PROJECT (USAID SKEP)

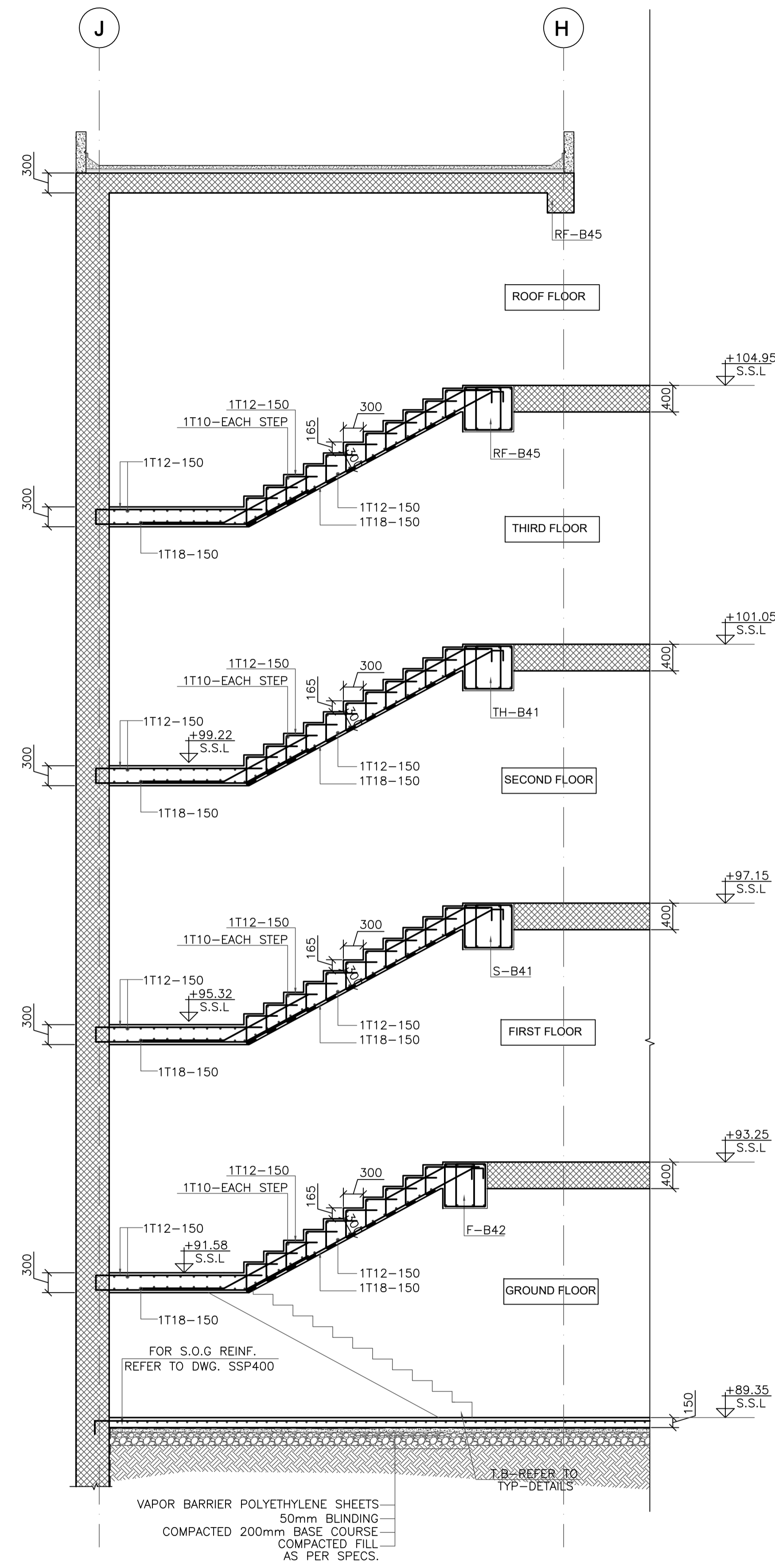
DRAWING NAME:
CORE OF STAIR No.3 & ELEVATOR REINFORCEMENT DETAILS
PLOT No: 1343.1334
LOCATION: AL KARAMA
BASIN NO: 1 AL BALAD AL SHARQI

Design: A.A.
Drawn: CAD
Checked: I.KH.
Scale: 1:50
Date: JUNE 2020
Approved: W.Z.
Drawing Number: SKEP-15-SCP310
Rev.: 0

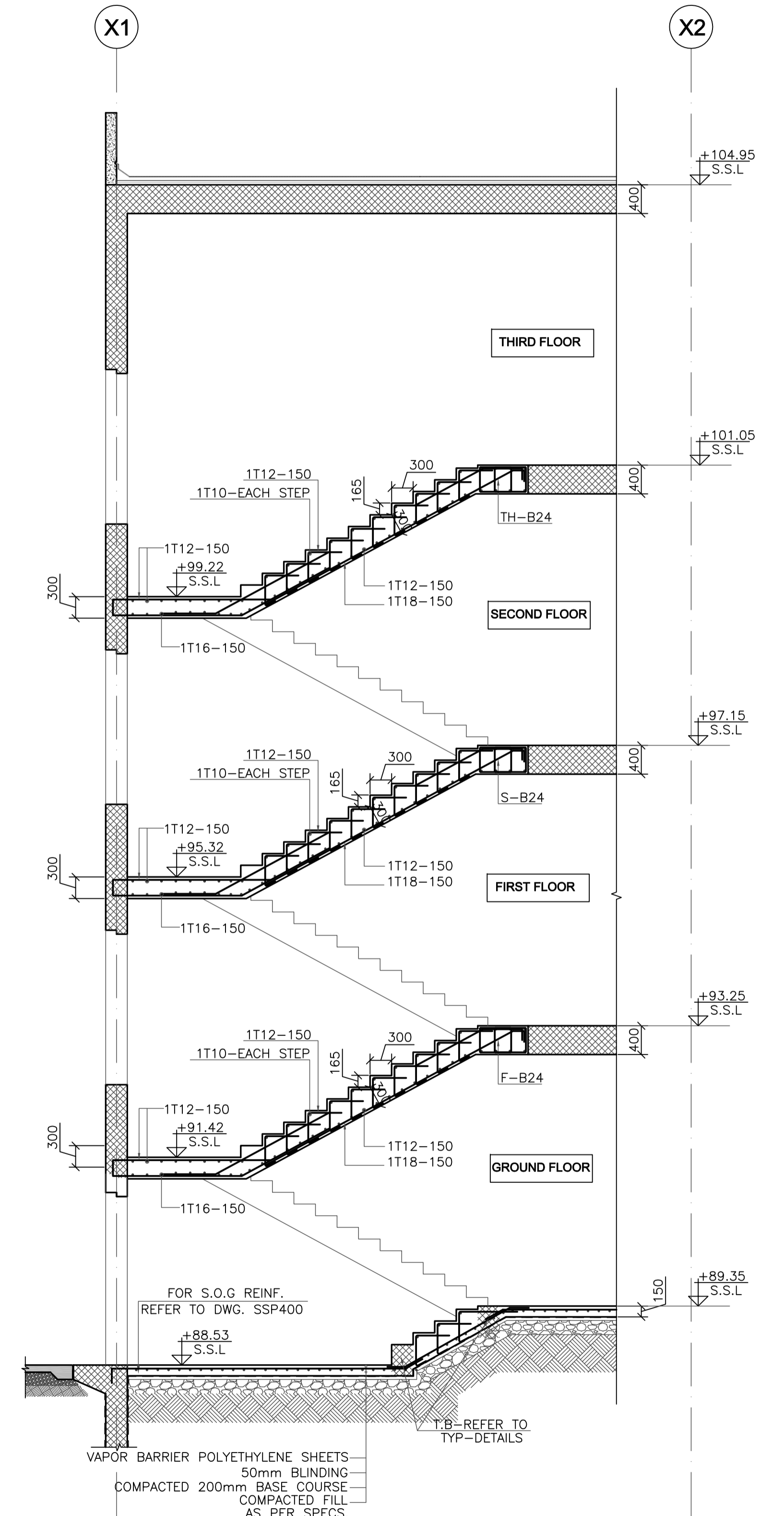
- * STAIRS FLIGHTS ARE SUPPORTED ON LANDINGS .
- * REINFORCEMENT ARRANGEMENT SHOWN IN SECTION ABOVE SHOULD BE FOLLOWED.
- * FOR LEVELS, FINISHES AND DIMENSIONS REFER TO ARCHITECTURAL DRAWINGS.
- * REFER TO TIE BEAMS TYPICAL DETAILS.
- * REFER TO FLOOR BEAMS CONNECTED TO STAIRS FOR DIMENSION AND REINFORCEMENT.



SECTION 1
1:50



SECTION 2
1:50



SECTION 3
1:50

NOTES:

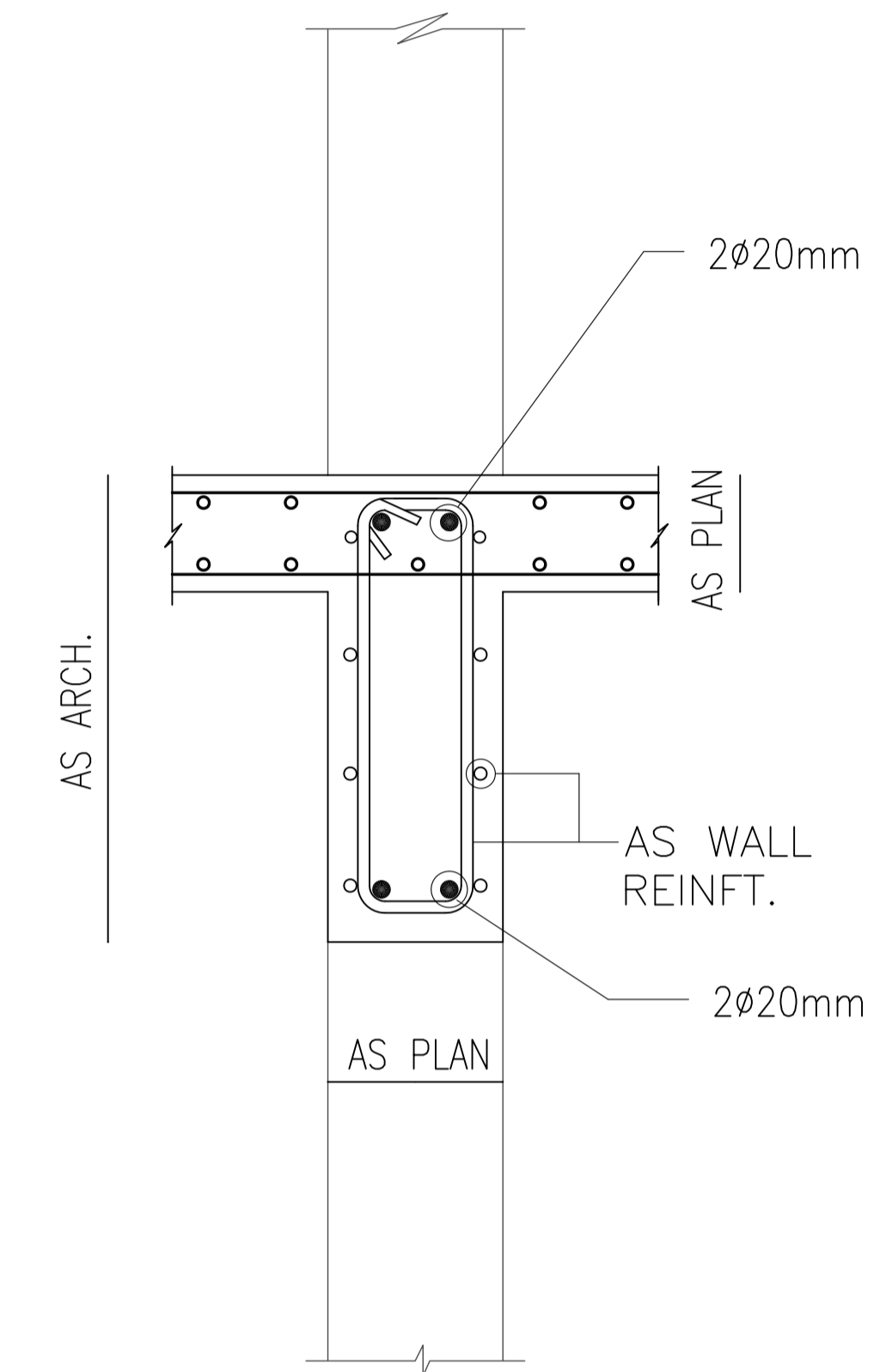
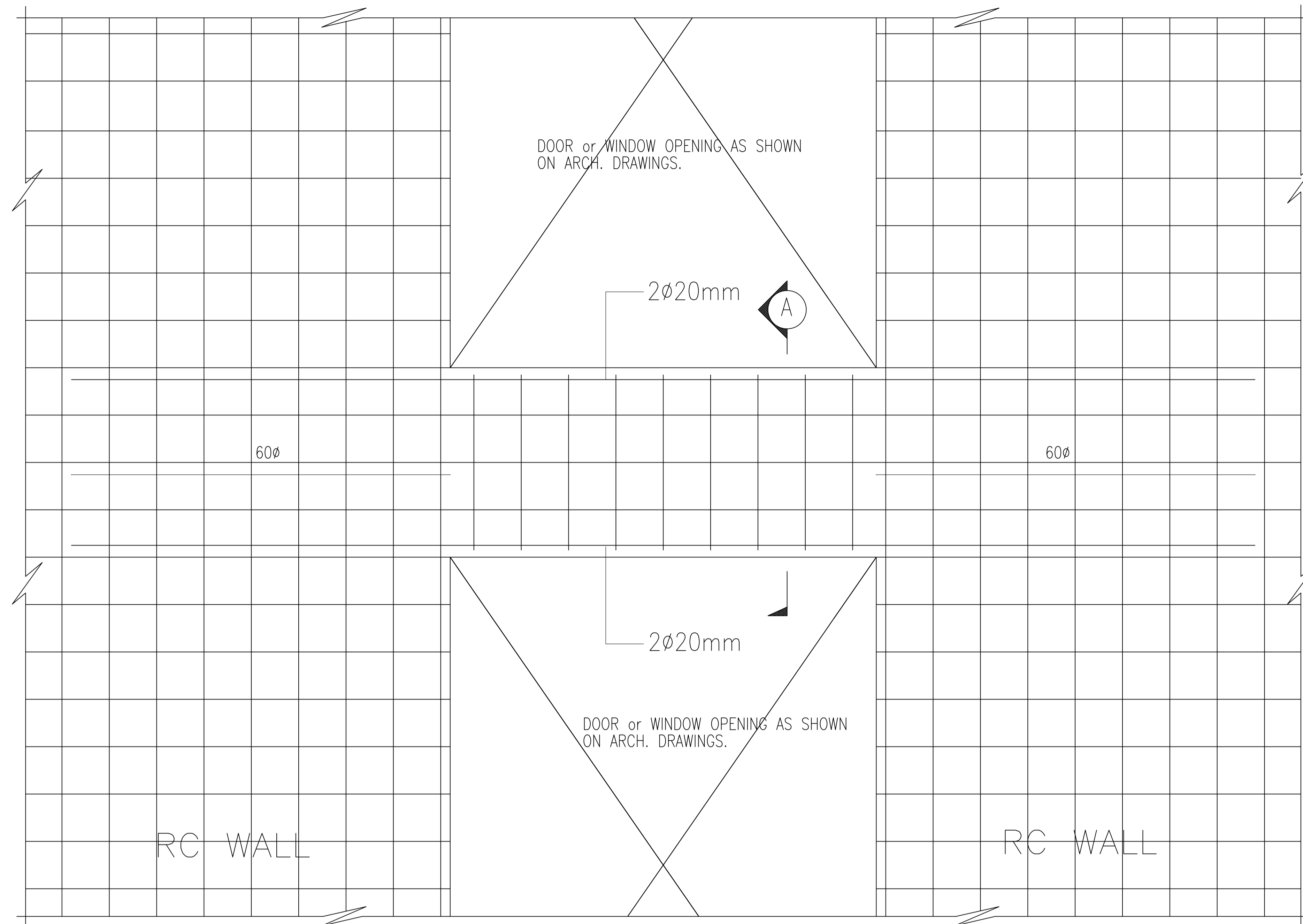
REV.	DATE	REMARKS
0	JUNE 2020	VOL. IV - TENDER DRAWINGS



PHASE III	AL KHANSA'A BASIC MIXED SCHOOL (AL BALQA)
PACKAGE 1	SCHOOLS FOR A KNOWLEDGE ECONOMY PROJECT (USAID SKEP)

DRAWING NAME: SECTIONS IN STAIRS		
PLOT No 1343.1334	LOCATION AL KARAMA	BASIN NO 1 AL BALAD AL SHARQI

Design: A.A.	Drawn: CAD	Checked: I.K.H.	North: ↑
SCALE: 1:50	Date: JUNE 2020	Approved: W.Z.	
DRAWING NUMBER: SKEP-15-SCP311			Rev.: 0



SECTION A-A

TYPICAL DETAIL OF COUPLING BEAM IN SHEAR WALL OPENINGS (U.N.O.)

N.T.S.

REV.	DATE	REMARKS
0	JUNE 2020	VOL. IV - TENDER DRAWINGS

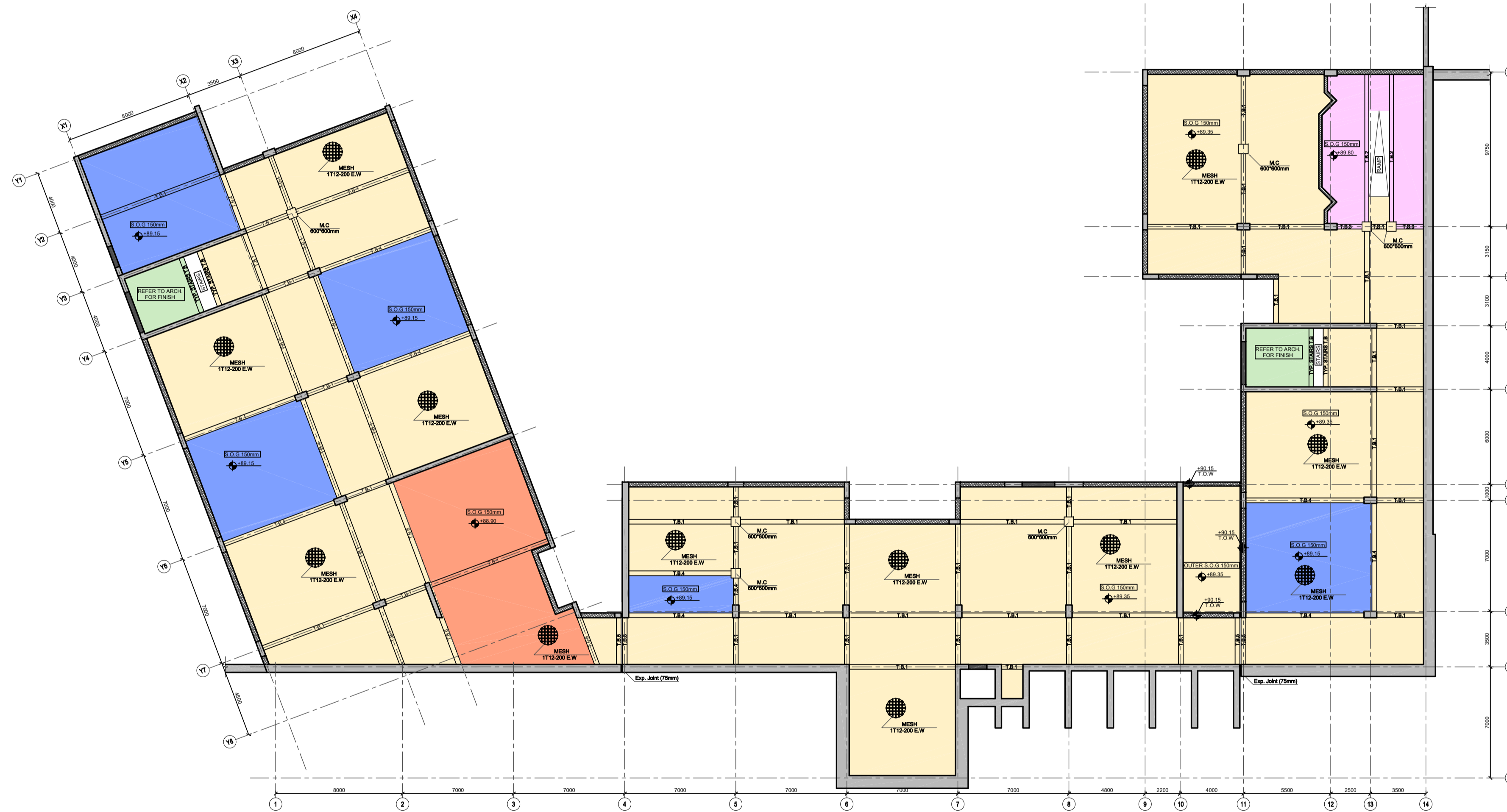
NOTES:



PHASE III	AL KHANSA'A BASIC MIXED SCHOOL (AL BALQA)
PACKAGE 1	SCHOOLS FOR A KNOWLEDGE ECONOMY PROJECT (USAID SKEP)

DRAWING NAME: COUPLING BEAM TYPICAL DETAIL		
PLOT No 1343.1334	LOCATION AL KARAMA	BASIN NO 1 AL BALAD AL SHARQI

Design:	Drawn: CAD	Checked:	North:
SCALE:	Date: JUNE 2020	Approved:	
DRAWING NUMBER: SKEP 15-SCP312			Rev.: 0



REV.	DATE	REMARKS
0	JUNE 2020	VOL. IV - TENDER DRAWINGS

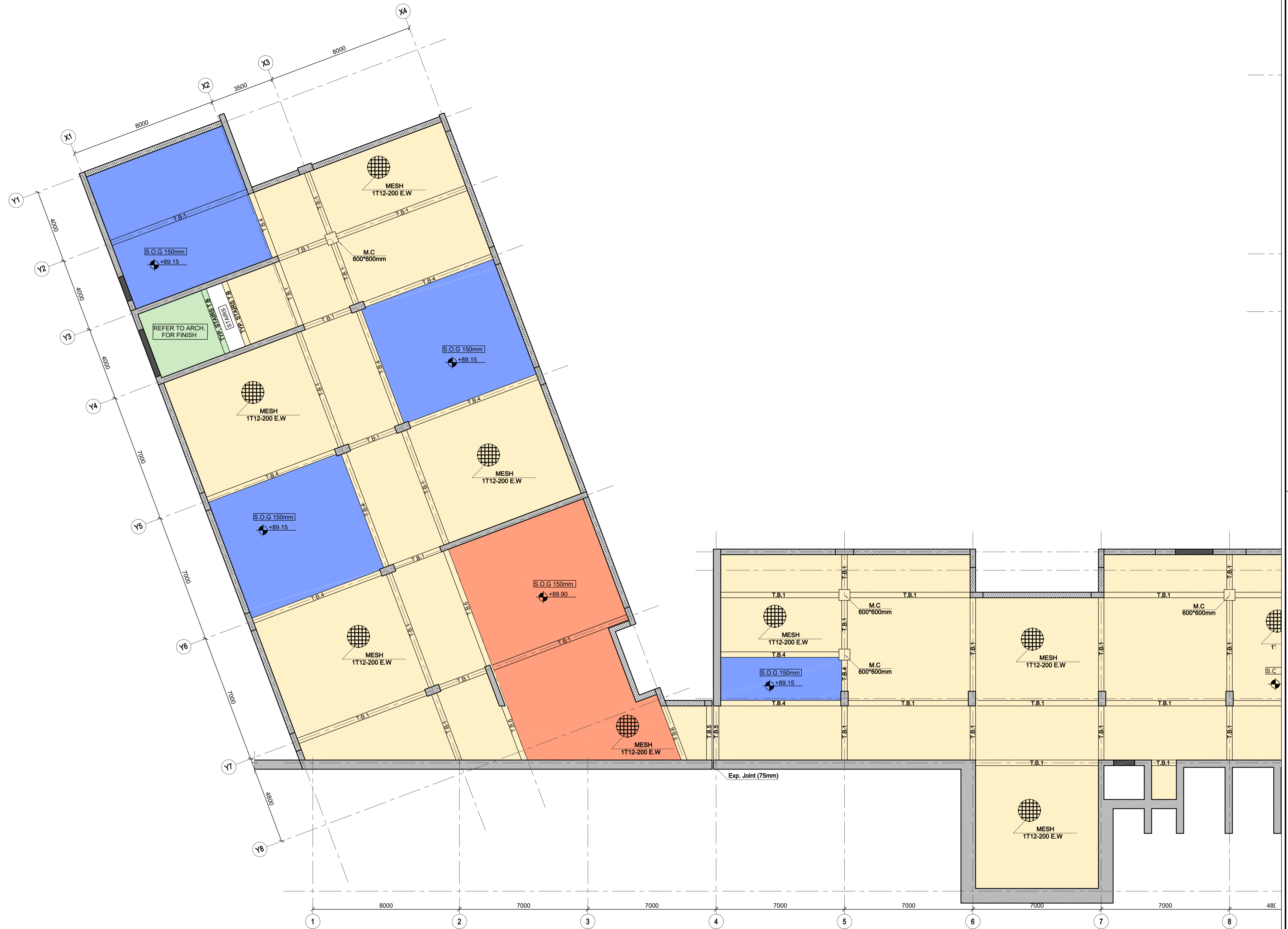
NOTES:
 • Any site work (retaining walls, planters walls, etc.) connected to the building is shown in this drawing for indication only. Refer to site details drawings for exact dimensions, location and details.
 • The indicated top level of site retaining walls (if any) shown on plans is the architectural finished level, while the indicated top level of building walls is the structural level of the reinforced concrete walls without the parapets. Refer to architectural drawings and B.O.D for levels and details of parapets.



PHASE III	AL KHANSA'A BASIC MIXED SCHOOL (AL BALQA)
PACKAGE 1	SCHOOLS FOR A KNOWLEDGE ECONOMY PROJECT (USAID SKEP)

DRAWING NAME: SLAB ON GRADE FRAMING PLAN (GENERAL)		
PLOT No 1343.1334	LOCATION AL KARAMA	BASIN NO 1 AL BALAD AL SHARQI

Design: A.A.	Drawn: CAD	Checked: I.KH.	North:
SCALE: 1:200	Date: JUNE 2020	Approved: W.Z.	Rev.: 0
DRAWING NUMBER: SKEP-15-SSP400			



REV.	DATE	REMARKS
0	JUNE 2020	VOL. IV - TENDER DRAWINGS

NOTES:
 • Any site work (retaining walls, planters walls, etc.) connected to the building is shown in this drawing for Indication only. Refer to site details drawings for exact dimensions, location and details.
 • The indicated top level of site retaining walls (if any) shown on plans is the architectural finished level, while the indicated top level of building walls is the structural level of the reinforced concrete walls without the parapets. Refer to architectural drawings and B.O.D for levels and details of parapets.



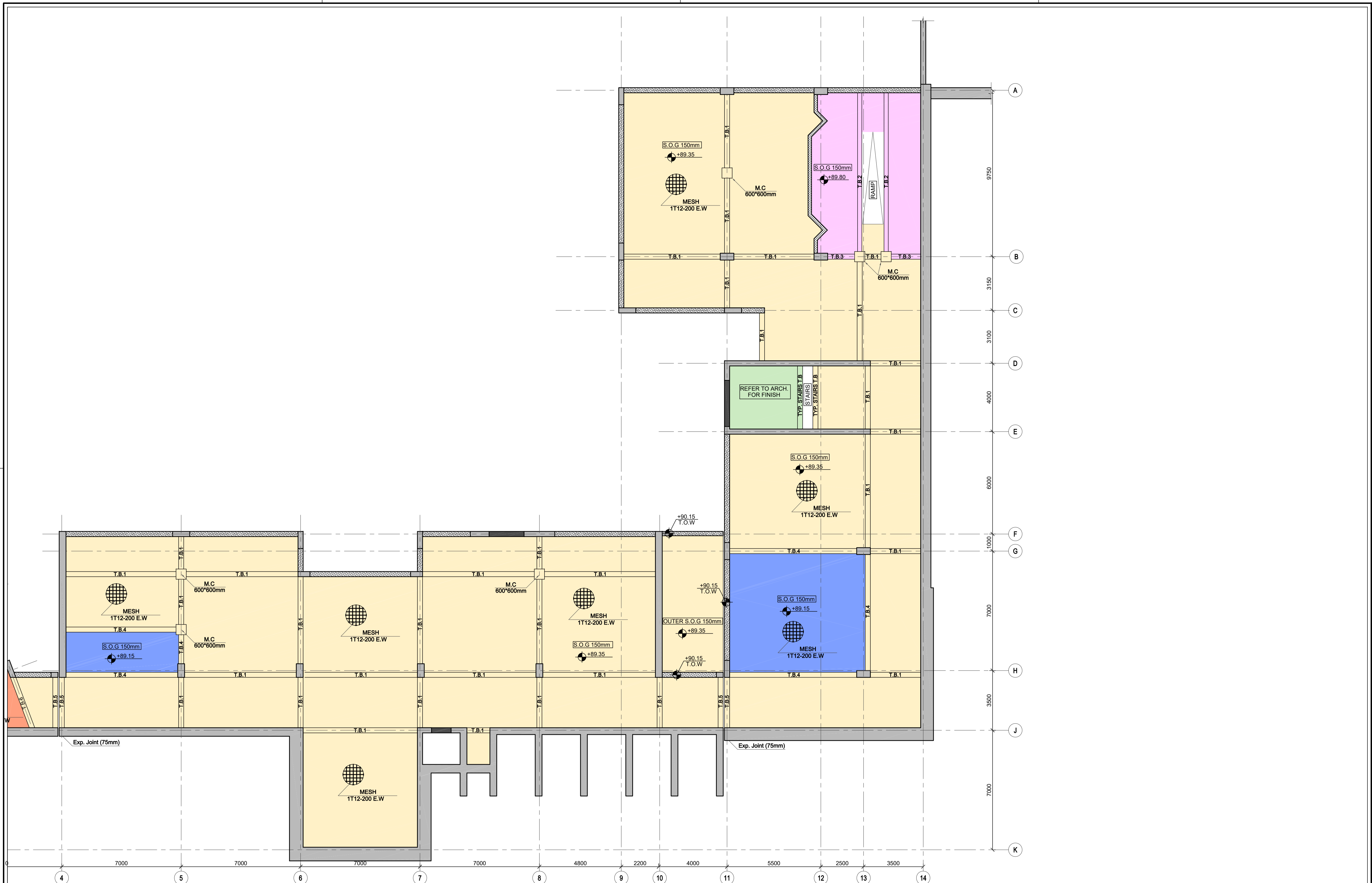
USAID
 FROM THE AMERICAN PEOPLE



PHASE III	AL KHANSA'A BASIC MIXED SCHOOL (AL BALQA)
PACKAGE 1	SCHOOLS FOR A KNOWLEDGE ECONOMY PROJECT (USAID SKEP)

DRAWING NAME: SLAB ON GRADE FRAMING PLAN (PART 1)		
PLOT No 1343.1334	LOCATION AL KARAMA	BASIN NO 1 AL BALAD AL SHARQI

Design: A.A.	Drawn: CAD	Checked: I.KH.	North: ↑
SCALE: 1:100	Date: JUNE 2020	Approved: W.Z.	
DRAWING NUMBER: SKEP-15-SSP400-1			Rev.: 0



REV.	DATE	REMARKS
0	JUNE 2020	VOL. IV - TENDER DRAWINGS

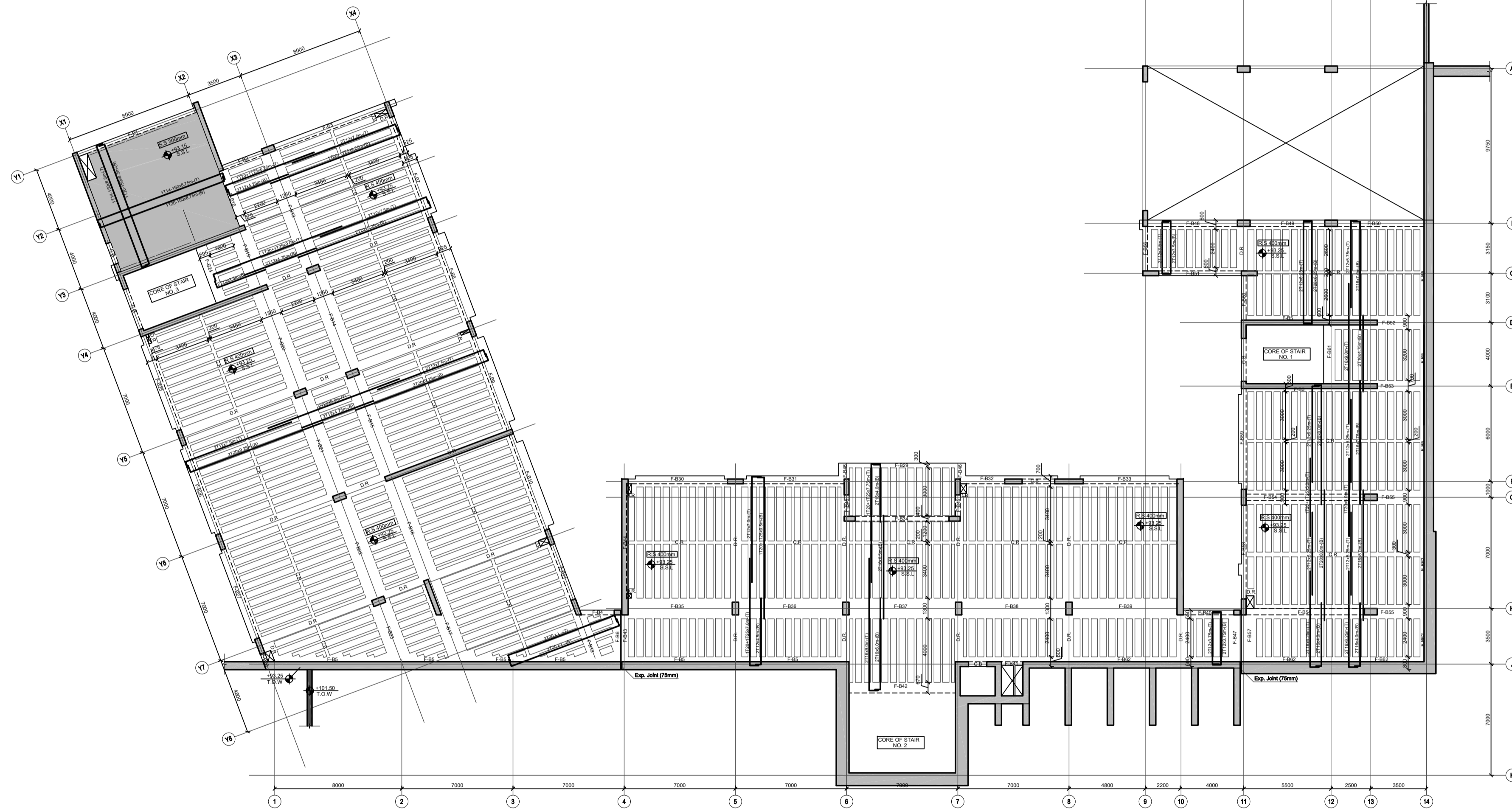
NOTES:
 • Any site work (retaining walls, planters walls, etc.) connected to the building is shown in this drawing for Indication only. Refer to site details drawings for exact dimensions, location and details.
 • The indicated top level of site retaining walls (if any) shown on plans is the architectural finished level, while the indicated top level of building walls is the structural level of the reinforced concrete walls without the parapets. Refer to architectural drawings and B.O.D for levels and details of parapets.



PHASE III	AL KHANSA'A BASIC MIXED SCHOOL (AL BALQA)
PACKAGE 1	SCHOOLS FOR A KNOWLEDGE ECONOMY PROJECT (USAID SKEP)

DRAWING NAME: SLAB ON GRADE FRAMING PLAN (PART 2)		
PLOT No: 1343.1334	LOCATION: AL KARAMA	BASIN NO: 1 AL BALAD AL SHARQI

Design: A.A.	Drawn: CAD	Checked: I.K.H.	North:
SCALE: 1:100	Date: JUNE 2020	Approved: W.Z.	
DRAWING NUMBER: SKEP-15-SSP400-2			Rev.: 0



REV.	DATE	REMARKS
0	JUNE 2020	VOL. IV - TENDER DRAWINGS

NOTES:
 • Any site work (retaining walls, planters walls, etc.) connected to the building is shown in this drawing for Indication only. Refer to site details drawings for exact dimensions, location and details.
 • The indicated top level of site retaining walls (if any) shown on plans is the architectural finished level, while the indicated top level of building walls is the structural level of the reinforced concrete walls without the parapets. Refer to architectural drawings and B.O.D for levels and details of parapets.



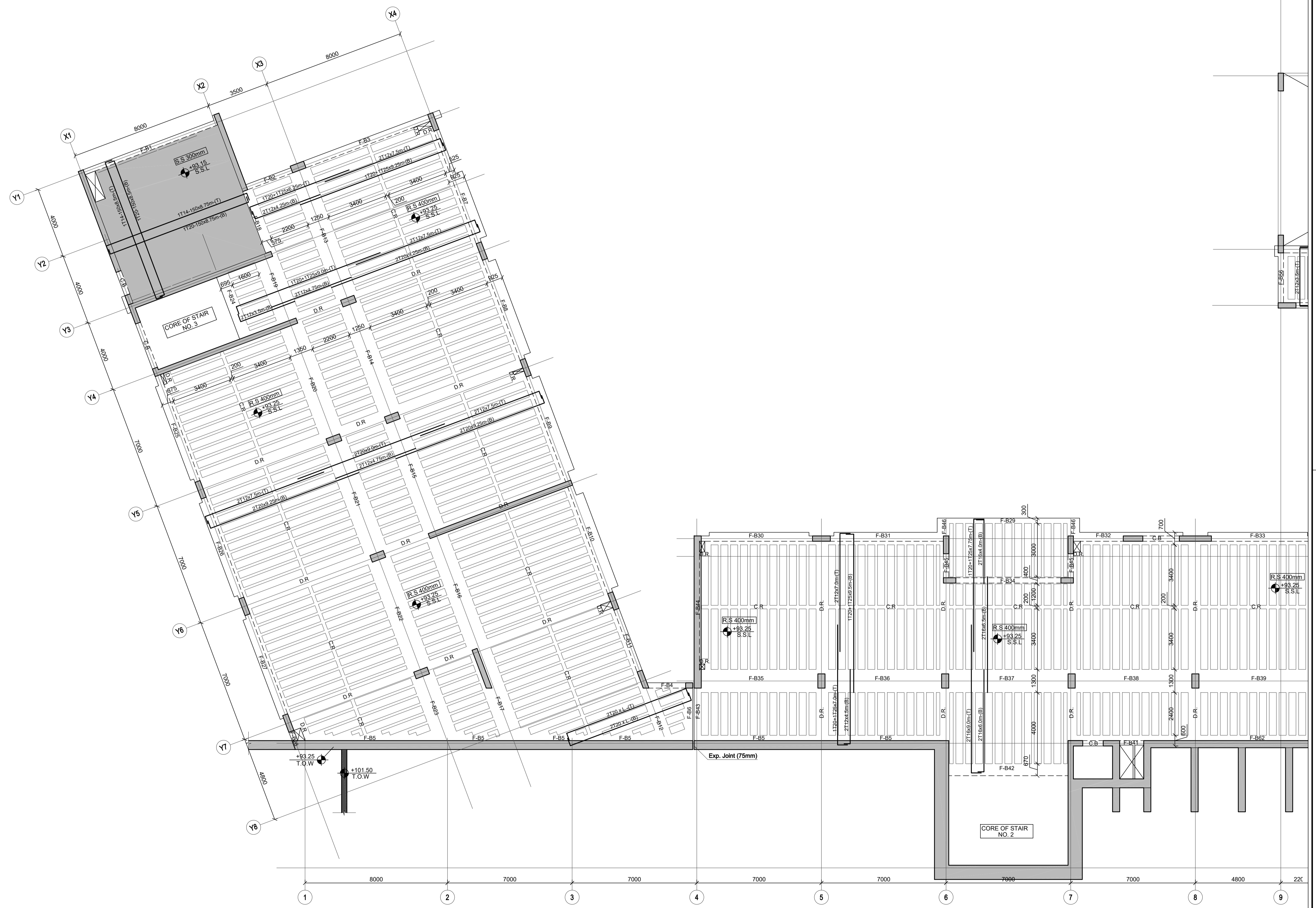
USAID
 FROM THE AMERICAN PEOPLE



PHASE III
 AL KHANSA'A BASIC MIXED SCHOOL
 (AL BALQA)
 PACKAGE 1
 SCHOOLS FOR A KNOWLEDGE ECONOMY
 PROJECT (USAID SKEP)

DRAWING NAME: FIRST FLOOR FRAMING PLAN (GENERAL)		
PLOT No 1343.1334	LOCATION AL KARAMA	BASIN NO 1 AL BALAD AL SHARQI

Design: A.A.	Drawn: CAD	Checked: I.KH.	North:
SCALE: 1:200	Date: JUNE 2020	Approved: W.Z.	Rev.: 0
DRAWING NUMBER: SKEP-15-SSP401			



NOTES:
 • Any site work (retaining walls, planters walls, etc.) connected to the building is shown in this drawing for Indication only. Refer to site details drawings for exact dimensions, location and details.
 • The indicated top level of site retaining walls (if any) shown on plans is the architectural finished level, while the indicated top level of building walls is the structural level of the reinforced concrete walls without the parapets. Refer to architectural drawings and B.O.D for levels and details of parapets.

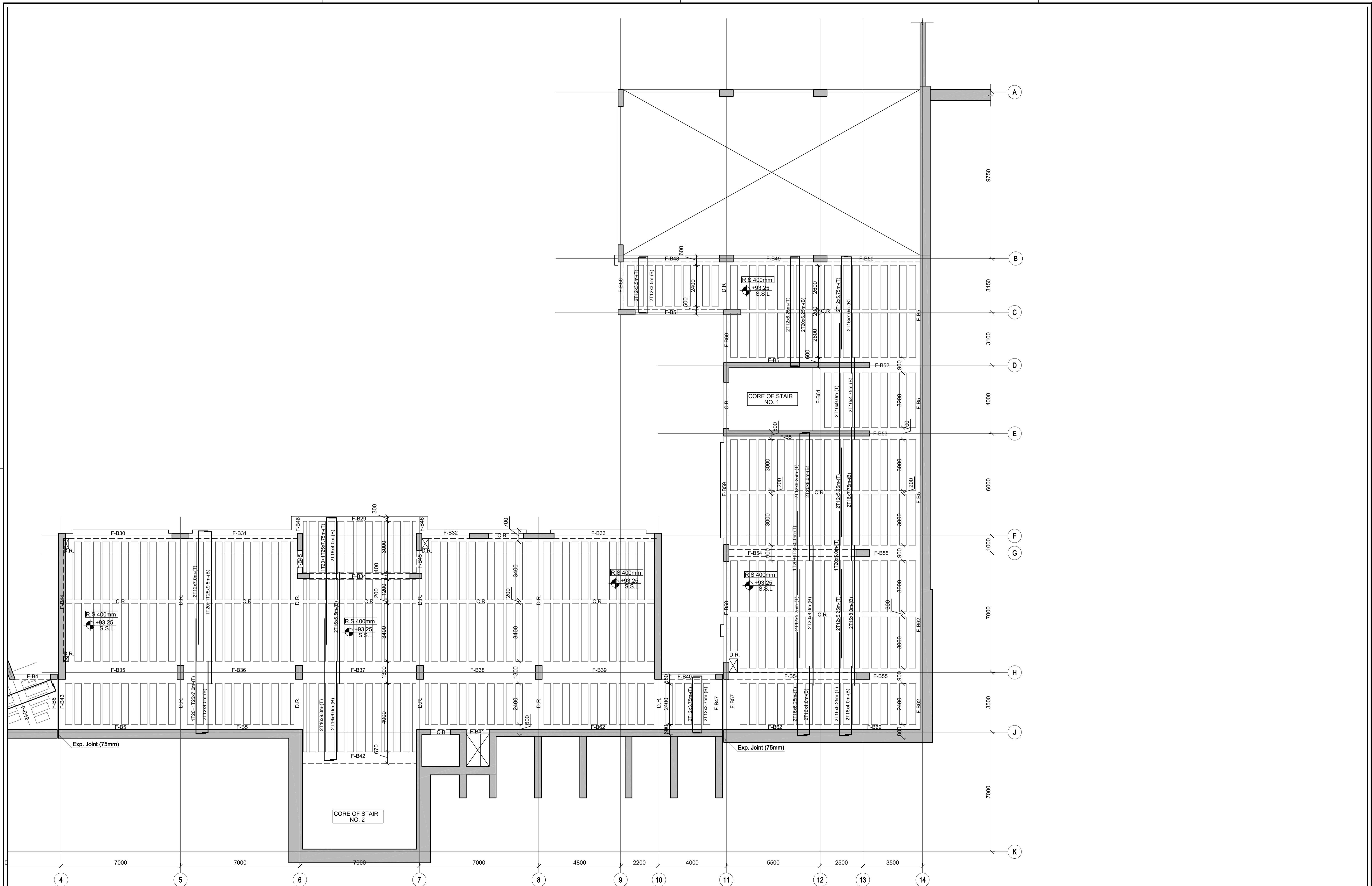


PHASE III
 PACKAGE 1
 AL KHANSA'A BASIC MIXED SCHOOL (AL BALQA)
 SCHOOLS FOR A KNOWLEDGE ECONOMY PROJECT (USAID SKEP)

DRAWING NAME:
FIRST FLOOR FRAMING PLAN (PART 1)
 PLOT No: 1343.1334
 LOCATION: AL KARAMA
 BASIN NO: 1 AL BALAD AL SHARQI

Design: A.A.
 Drawn: CAD
 Checked: I.KH.
 SCALE: 1:100
 Date: JUNE 2020
 Approved: W.Z.
 DRAWING NUMBER: **SKEP-15-SSP401-1**
 Rev.: 0

REV.	DATE	REMARKS
0	JUNE 2020	VOL. IV - TENDER DRAWINGS



REV.	DATE	REMARKS
0	JUNE 2020	VOL. IV - TENDER DRAWINGS

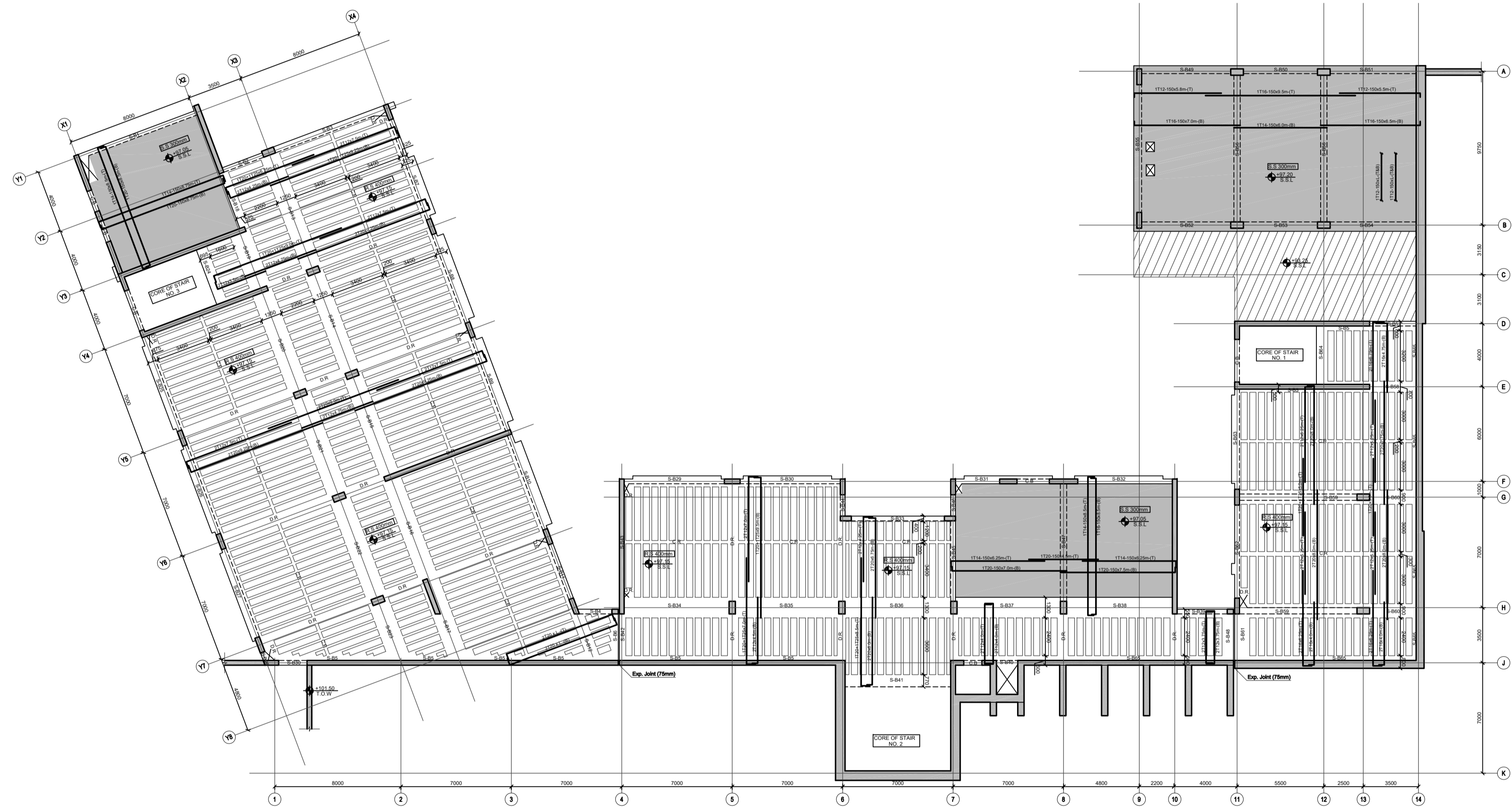
NOTES:
 • Any site work (retaining walls, planters walls, etc.) connected to the building is shown in this drawing for indication only. Refer to site details drawings for exact dimensions, location and details.
 • The indicated top level of site retaining walls (if any) shown on plans is the architectural finished level, while the indicated top level of building walls is the structural level of the reinforced concrete walls without the parapets. Refer to architectural drawings and B.O.D for levels and details of parapets.



PHASE III	AL KHANSA'A BASIC MIXED SCHOOL (AL BALQA)
PACKAGE 1	SCHOOLS FOR A KNOWLEDGE ECONOMY PROJECT (USAID SKEP)

DRAWING NAME: FIRST FLOOR FRAMING PLAN (PART 2)		
PLOT No 1343.1334	LOCATION AL KARAMA	BASIN NO 1 AL BALAD AL SHARQI

Design: A.A.	Drawn: CAD	Checked: I.K.H.	North:
SCALE: 1:100	Date: JUNE 2020	Approved: W.Z.	
DRAWING NUMBER: SKEP-15-SSP401-2			Rev.: 0



REV.	DATE	REMARKS
0	JUNE 2020	VOL. IV - TENDER DRAWINGS

NOTES:
 • Any site work (retaining walls, planters walls, etc.) connected to the building is shown in this drawing for Indication only. Refer to site details drawings for exact dimensions, location and details.
 • The indicated top level of site retaining walls (if any) shown on plans is the architectural finished level, while the indicated top level of building walls is the structural level of the reinforced concrete walls without the parapets. Refer to architectural drawings and B.O.D for levels and details of parapets.



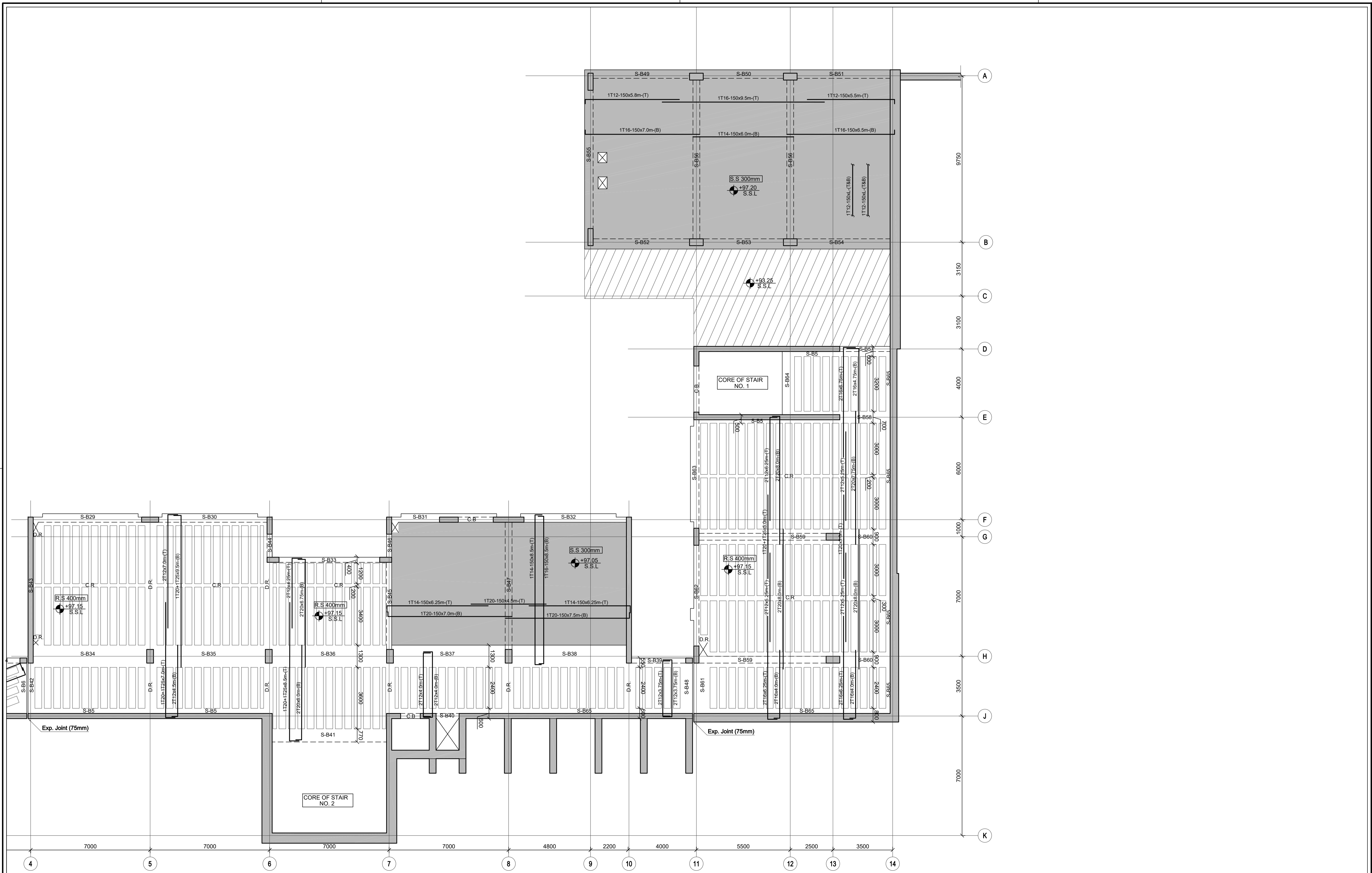
USAID
 FROM THE AMERICAN PEOPLE



PHASE III	AL KHANSA'A BASIC MIXED SCHOOL (AL BALQA)
PACKAGE 1	SCHOOLS FOR A KNOWLEDGE ECONOMY PROJECT (USAID SKEP)

DRAWING NAME: SECOND FLOOR FRAMING PLAN (GENERAL)		
PLOT No 1343.1334	LOCATION AL KARAMA	BASIN NO 1 AL BALAD AL SHARQI

Design: A.A.	Drawn: CAD	Checked: I.KH.	North:
SCALE: 1:200	Date: JUNE 2020	Approved: W.Z.	
DRAWING NUMBER: SKEP-15-SSP402			Rev.: 0



NOTES:
 • Any site work (retaining walls, planters walls, etc.) connected to the building is shown in this drawing for Indication only. Refer to site details drawings for exact dimensions, location and details.
 • The indicated top level of site retaining walls (if any) shown on plans is the architectural finished level, while the indicated top level of building walls is the structural level of the reinforced concrete walls without the parapets. Refer to architectural drawings and B.O.D for levels and details of parapets.

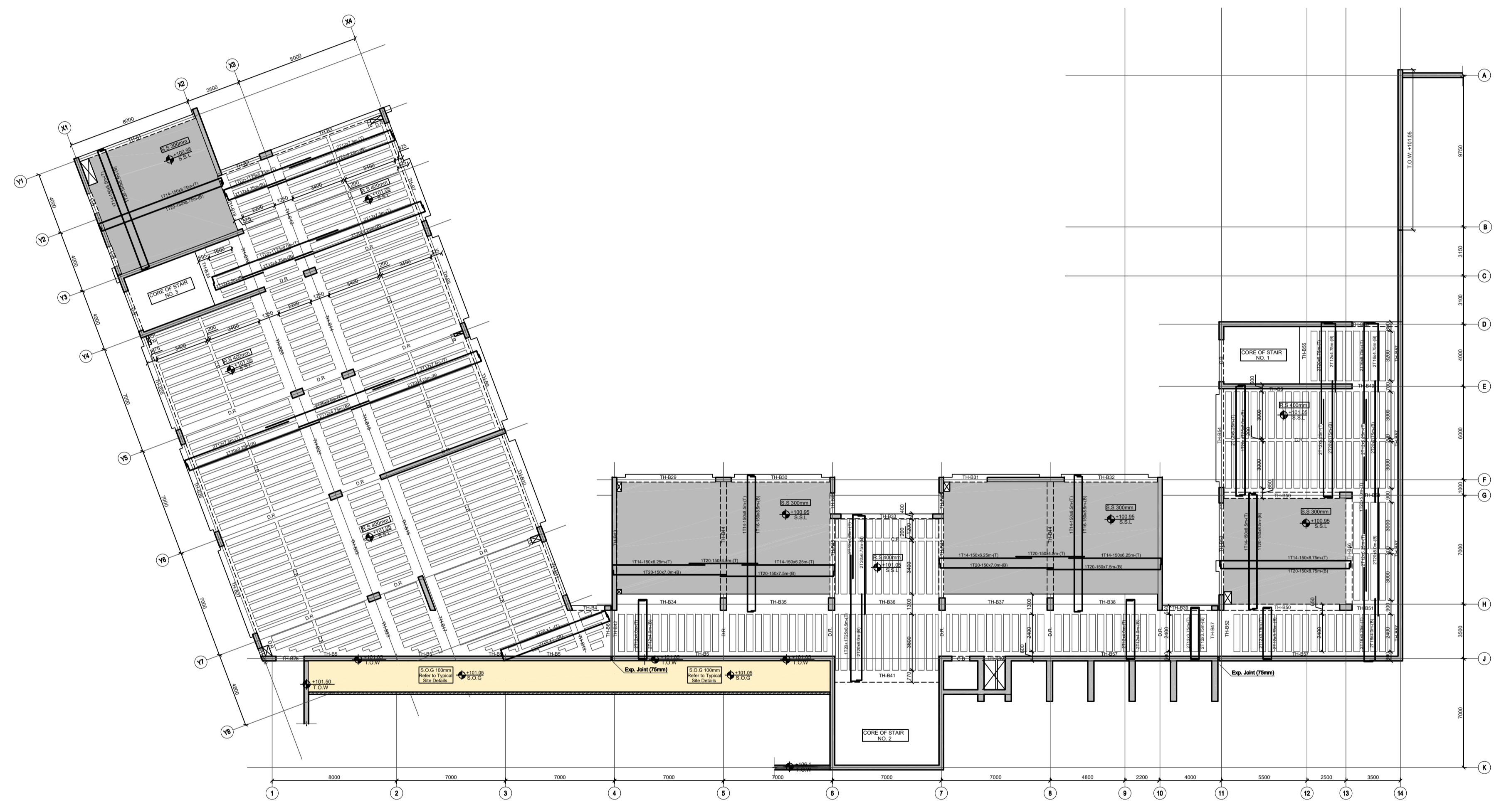


PHASE III
 PACKAGE 1
 AL KHANSA'A BASIC MIXED SCHOOL (AL BALQA)
 SCHOOLS FOR A KNOWLEDGE ECONOMY PROJECT (USAID SKEP)

DRAWING NAME:
SECOND FLOOR FRAMING PLAN (PART 2)
 PLOT No: 1343.1334
 LOCATION: AL KARAMA
 BASIN NO: 1 AL BALAD AL SHARQI

Design: A.A.
 Drawn: CAD
 Checked: I.K.H.
 Approved: W.Z.
 SCALE: 1:100
 DATE: JUNE 2020
 DRAWING NUMBER: **SKEP-15-SSP402-2**
 Rev.: 0

REV.	DATE	REMARKS
0	JUNE 2020	VOL. IV - TENDER DRAWINGS



REV.	DATE	REMARKS
0	JUNE 2020	VOL. IV - TENDER DRAWINGS

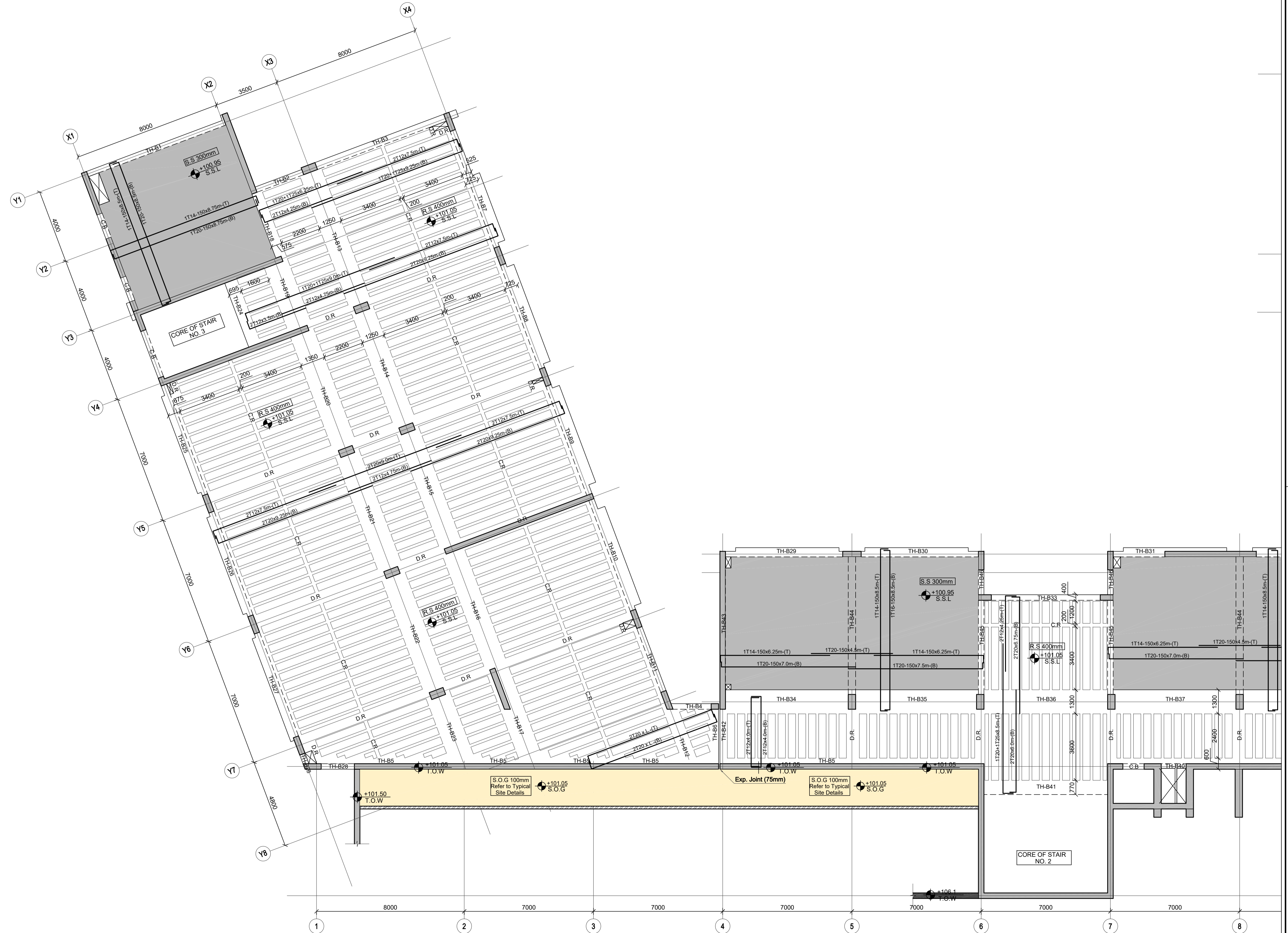
NOTES:
 • Any site work (retaining walls, planters walls, etc.) connected to the building is shown in this drawing for Indication only. Refer to site details drawings for exact dimensions, location and details.
 • The indicated top level of site retaining walls (if any) shown on plans is the architectural finished level, while the indicated top level of building walls is the structural level of the reinforced concrete walls without the parapets. Refer to architectural drawings and B.O.D for levels and details of parapets.



PHASE III
 AL KHANSA'A BASIC MIXED SCHOOL (AL BALQA)
 PACKAGE 1
 SCHOOLS FOR A KNOWLEDGE ECONOMY PROJECT (USAID SKEP)

DRAWING NAME: THIRD FLOOR FRAMING PLAN (GENERAL)		
PLOT No 1343.1334	LOCATION AL KARAMA	BASIN NO 1 AL BALAD AL SHARQI

Design: A.A.	Drawn: CAD	Checked: I.KH.	North:
SCALE: 1:200	Date: JUNE 2020	Approved: W.Z.	Rev.: 0
DRAWING NUMBER: SKP-15-SSP403			



REV.	DATE	REMARKS
0	JUNE 2020	VOL. IV - TENDER DRAWINGS

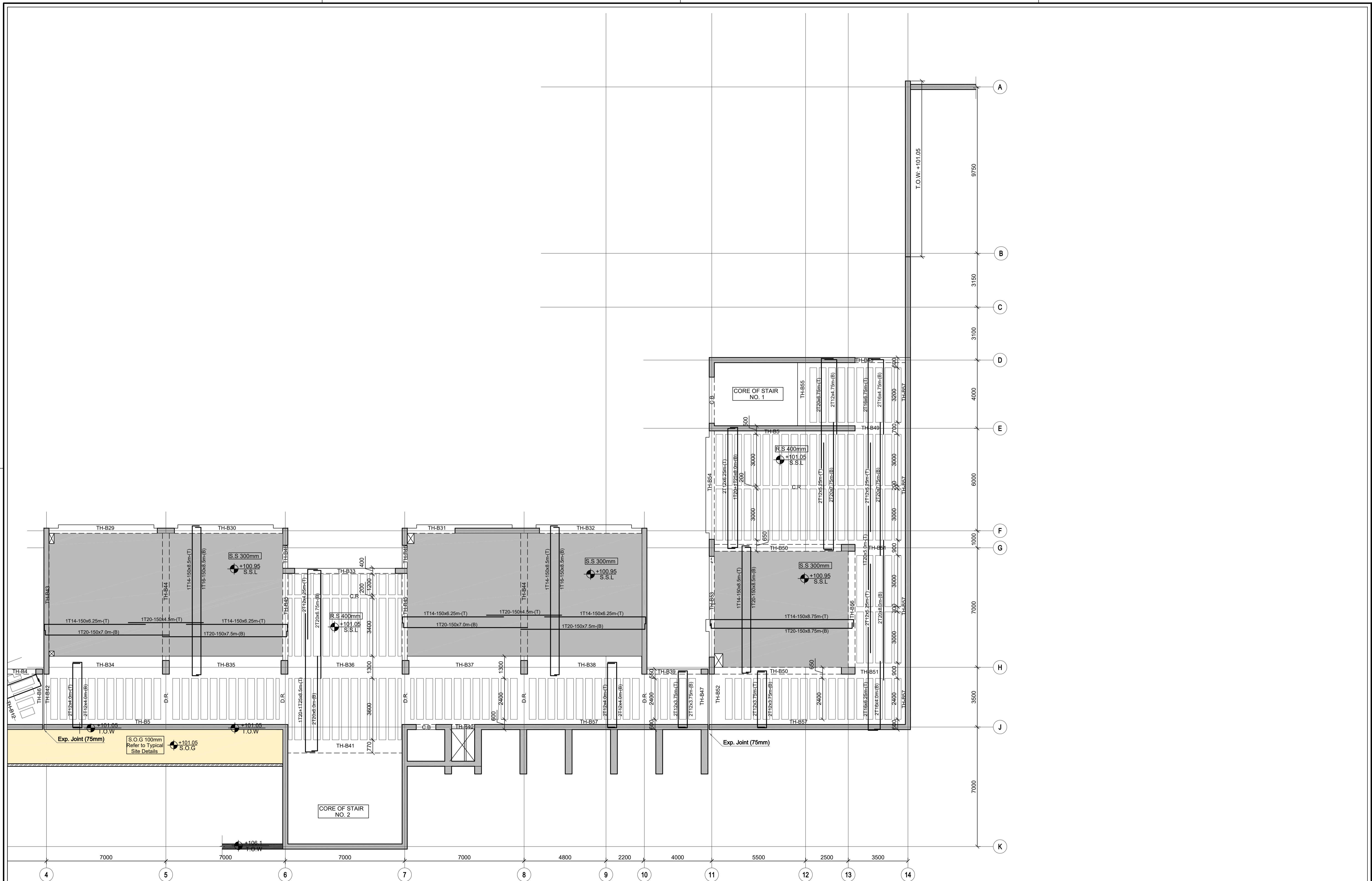
NOTES:
 • Any site work (retaining walls, planters walls, etc.) connected to the building is shown in this drawing for indication only. Refer to site details drawings for exact dimensions, location and details.
 • The indicated top level of site retaining walls (if any) shown on plans is the architectural finished level, while the indicated top level of building walls is the structural level of the reinforced concrete walls without the parapets. Refer to architectural drawings and B.O.D for levels and details of parapets.



PHASE III
 PACKAGE 1
 AL KHANSA'A BASIC MIXED SCHOOL (AL BALQA)
 SCHOOLS FOR A KNOWLEDGE ECONOMY PROJECT (USAID SKEP)

DRAWING NAME:
THIRD FLOOR FRAMING PLAN (PART 1)
 PLOT No: 1343.1334
 LOCATION: AL KARAMA
 BASIN NO: 1 AL BALAD AL SHARQI

Design: A.A.
 Drawn: CAD
 Checked: I.K.H.
 SCALE: 1:100
 Date: JUNE 2020
 Approved: W.Z.
 DRAWING NUMBER: **SKEP-15-SSP403-1**
 Rev.: 0



REV.	DATE	REMARKS
0	JUNE 2020	VOL. IV - TENDER DRAWINGS

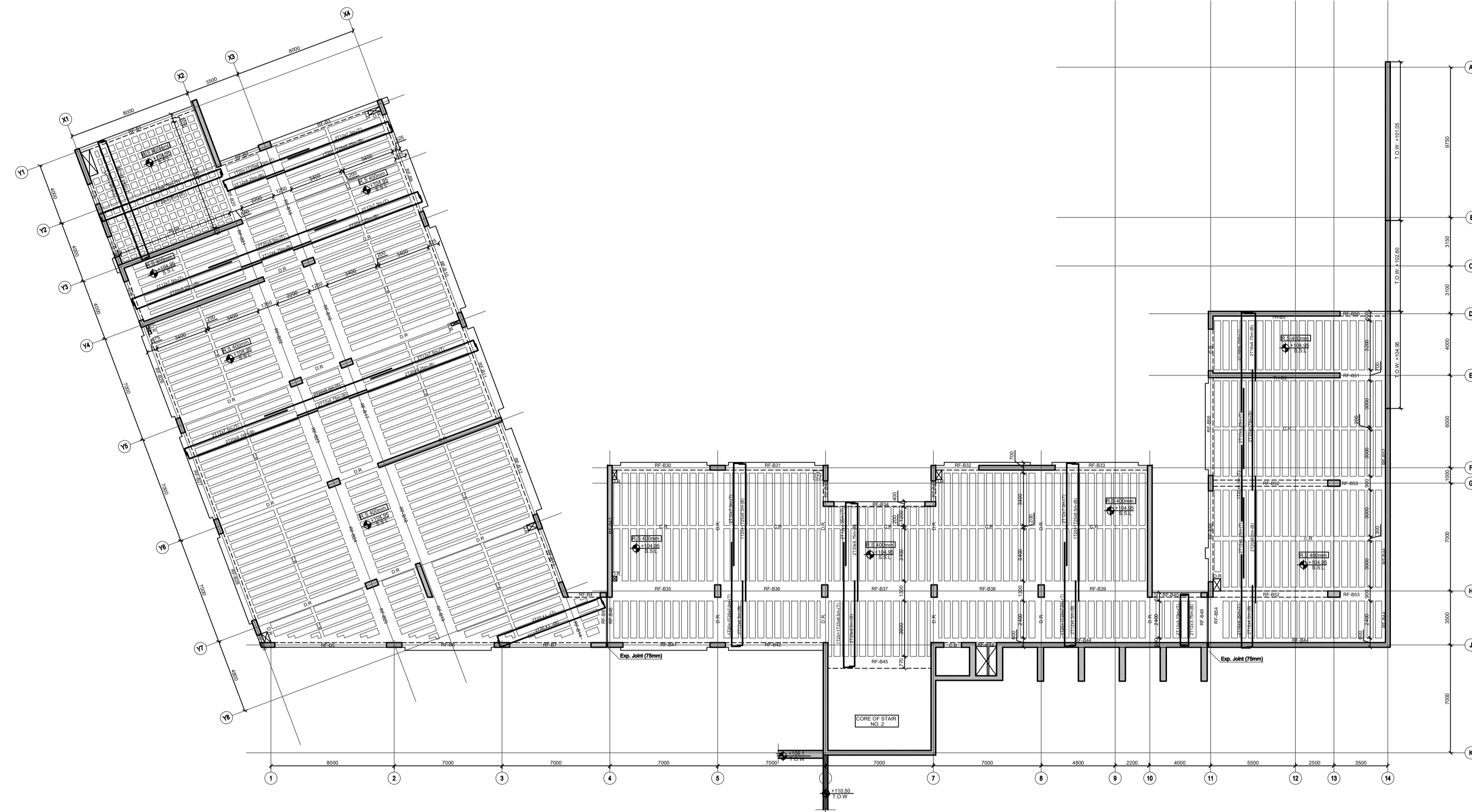
NOTES:
 • Any site work (retaining walls, planters walls, etc.) connected to the building is shown in this drawing for Indication only. Refer to site details drawings for exact dimensions, location and details.
 • The indicated top level of site retaining walls (if any) shown on plans is the architectural finished level, while the indicated top level of building walls is the structural level of the reinforced concrete walls without the parapets. Refer to architectural drawings and B.O.D for levels and details of parapets.



PHASE III	AL KHANSA'A BASIC MIXED SCHOOL (AL BALQA)
PACKAGE 1	SCHOOLS FOR A KNOWLEDGE ECONOMY PROJECT (USAID SKEP)

DRAWING NAME: THIRD FLOOR FRAMING PLAN (PART 2)		
PLOT No 1343.1334	LOCATION AL KARAMA	BASIN NO 1 AL BALAD AL SHARQI

Design: A.A.	Drawn: CAD	Checked: I.K.H.	North:
SCALE: 1:100	Date: JUNE 2020	Approved: W.Z.	
DRAWING NUMBER: SKEP-15-SSP403-2			Rev.: 0



REV.	DATE	REMARKS
0	JUNE 2020	VOL. IV - TENDER DRAWINGS

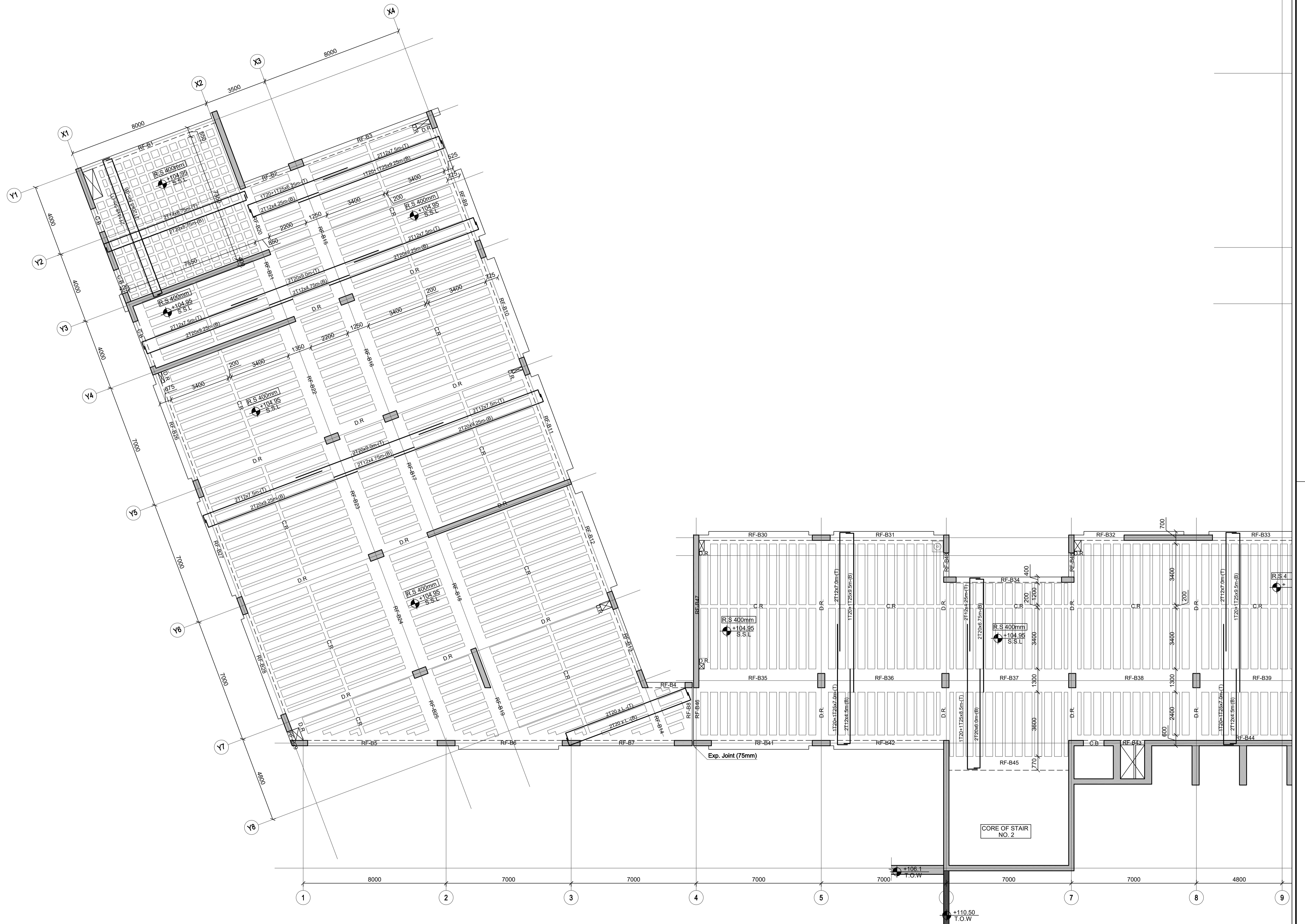
NOTES:
 • Any site work (retaining walls, planters walls, etc.) connected to the building is shown in this drawing for indication only. Refer to site details drawings for exact dimensions, location and details.
 • The indicated top level of site retaining walls (if any) shown on plans is the architectural finished level, while the indicated top level of building walls is the structural level of the reinforced concrete walls without the parapets. Refer to architectural drawings and B.O.D for levels and details of parapets.



PHASE III	AL KHANSA'A BASIC MIXED SCHOOL (AL BALQA)
PACKAGE 1	SCHOOLS FOR A KNOWLEDGE ECONOMY PROJECT (USAID SKEP)

DRAWING NAME: ROOF FLOOR FRAMING PLAN (GENERAL)		
PLOT No 1343.1334	LOCATION AL KARAMA	BASIN NO 1 AL BALAD AL SHARQI

Design: A.A.	Drawn: CAD	Checked: I.KH.	North:
SCALE: 1:200	Date: JUNE 2020	Approved: W.Z.	
DRAWING NUMBER: SKEP-15-SSP404			Rev.: 0



NOTES:
 • Any site work (retaining walls, planters walls, etc.) connected to the building is shown in this drawing for indication only. Refer to site details drawings for exact dimensions, location and details.
 • The indicated top level of site retaining walls (if any) shown on plans is the architectural finished level, while the indicated top level of building walls is the structural level of the reinforced concrete walls without the parapets. Refer to architectural drawings and B.O.D for levels and details of parapets.



USAID
 FROM THE AMERICAN PEOPLE

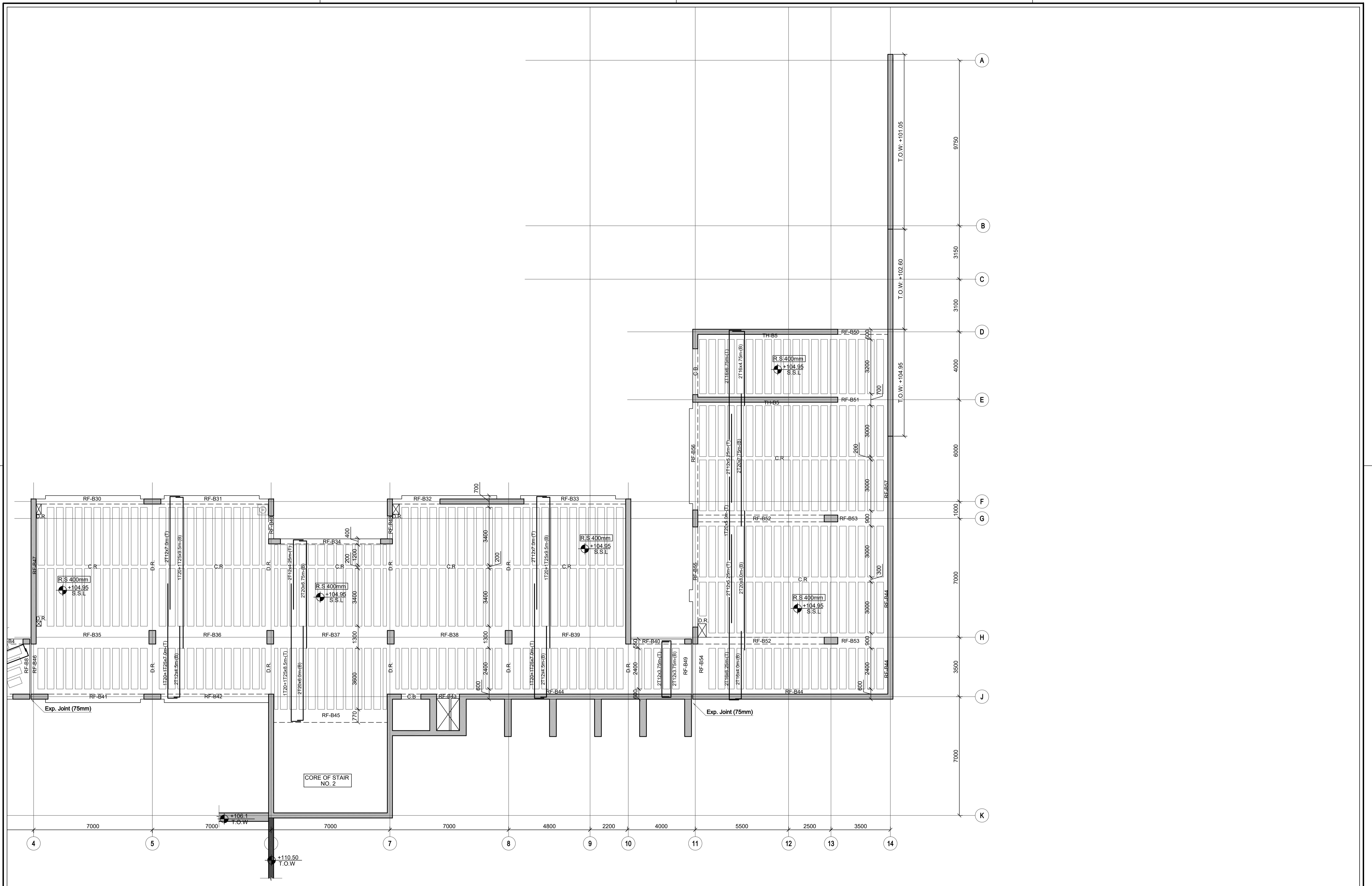


PHASE III
 PACKAGE 1
 AL KHANSA'A BASIC MIXED SCHOOL (AL BALQA)
 SCHOOLS FOR A KNOWLEDGE ECONOMY PROJECT (USAID SKEP)

DRAWING NAME:
ROOF FLOOR FRAMING PLAN (PART 1)
 PLOT No: 1343.1334
 LOCATION: AL KARAMA
 BASIN NO: 1 AL BALAD AL SHARQI

Design: A.A.
 Drawn: CAD
 Checked: I.KH.
 SCALE: 1:100
 Date: JUNE 2020
 Approved: W.Z.
 DRAWING NUMBER: **SKEP-15-SSP404-1**
 Rev.: 0

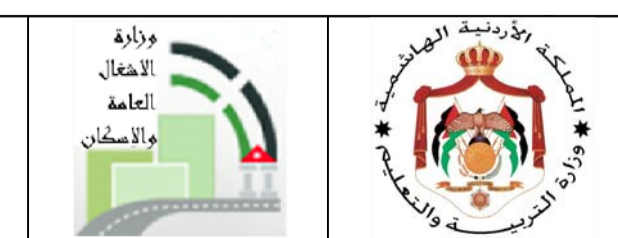
REV.	DATE	REMARKS
0	JUNE 2020	VOL. IV - TENDER DRAWINGS



REV.	DATE	REMARKS
0	JUNE 2020	VOL. IV - TENDER DRAWINGS

NOTES:

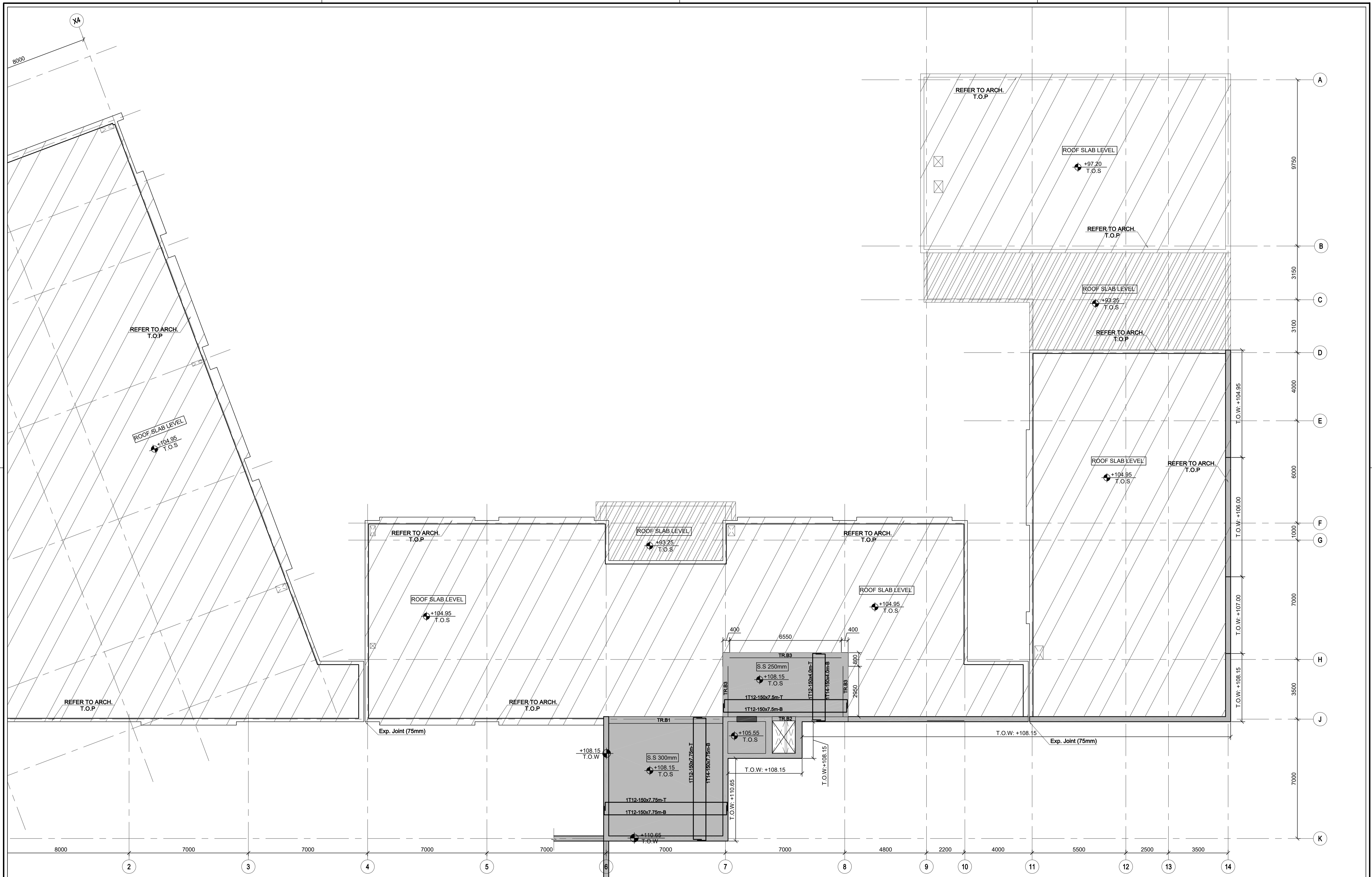
- Any site work (retaining walls, planters walls, etc.) connected to the building is shown in this drawing for indication only. Refer to site details drawings for exact dimensions, location and details.
- The indicated top level of site retaining walls (if any) shown on plans is the architectural finished level, while the indicated top level of building walls is the structural level of the reinforced concrete walls without the parapets. Refer to architectural drawings and B.O.D for levels and details of parapets.



PHASE III	AL KHANSA'A BASIC MIXED SCHOOL (AL BALQA)
PACKAGE 1	SCHOOLS FOR A KNOWLEDGE ECONOMY PROJECT (USAID SKEP)

DRAWING NAME: ROOF FLOOR FRAMING PLAN (PART 2)		
DESIGN: A.A.	DRAWN: CAD	CHECKED: I.K.H.
SCALE: 1:100	DATE: JUNE 2020	APPROVED: W.Z.
PLOT No: 1343.1334	LOCATION: AL KARAMA	BASIN NO: 1 AL BALAD AL SHARQI

DRAWING NUMBER: SKEP-15-SSP404-2		Rev.: 0
----------------------------------	--	---------



REV.	DATE	REMARKS
0	JUNE 2020	VOL. IV - TENDER DRAWINGS

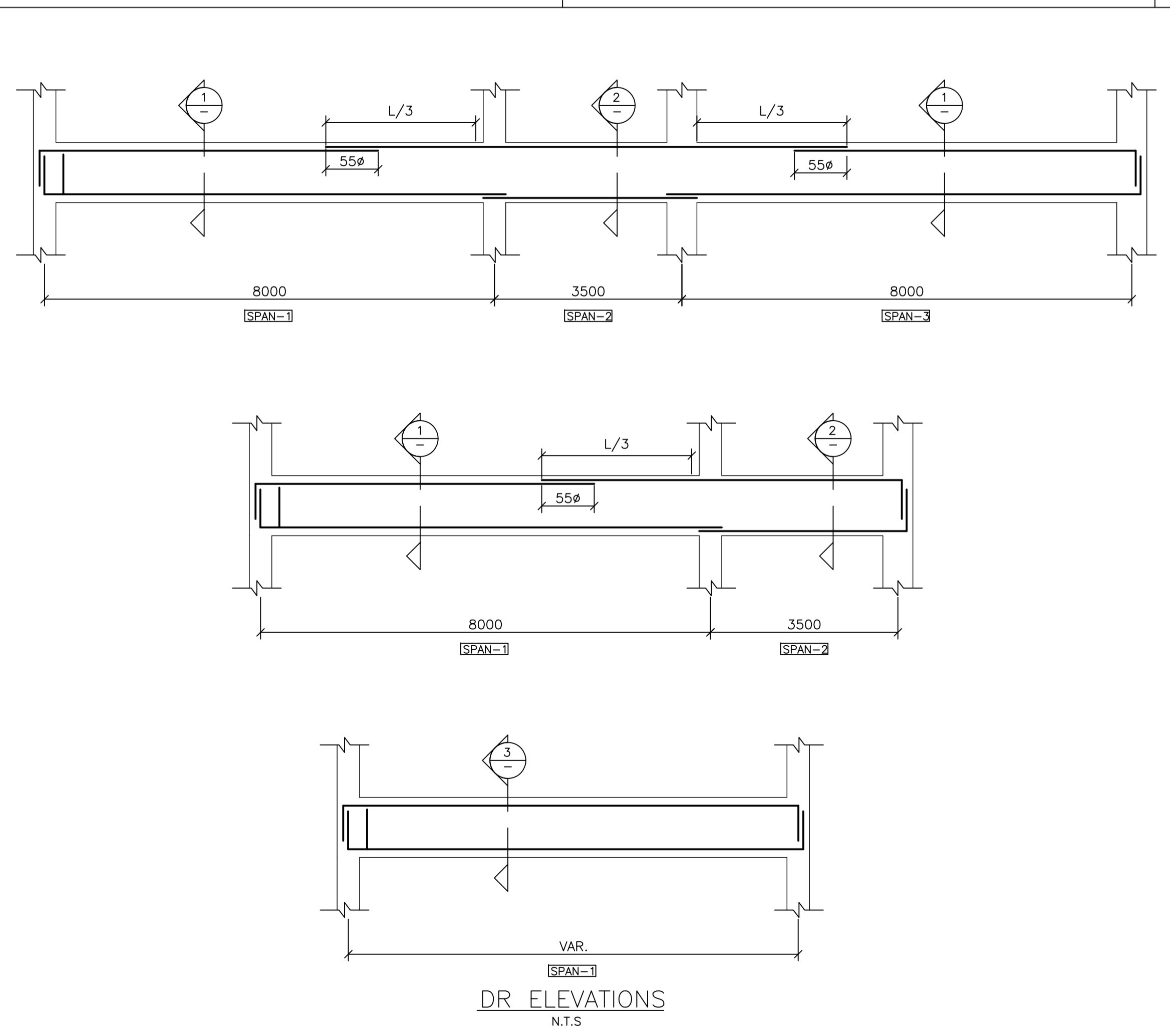
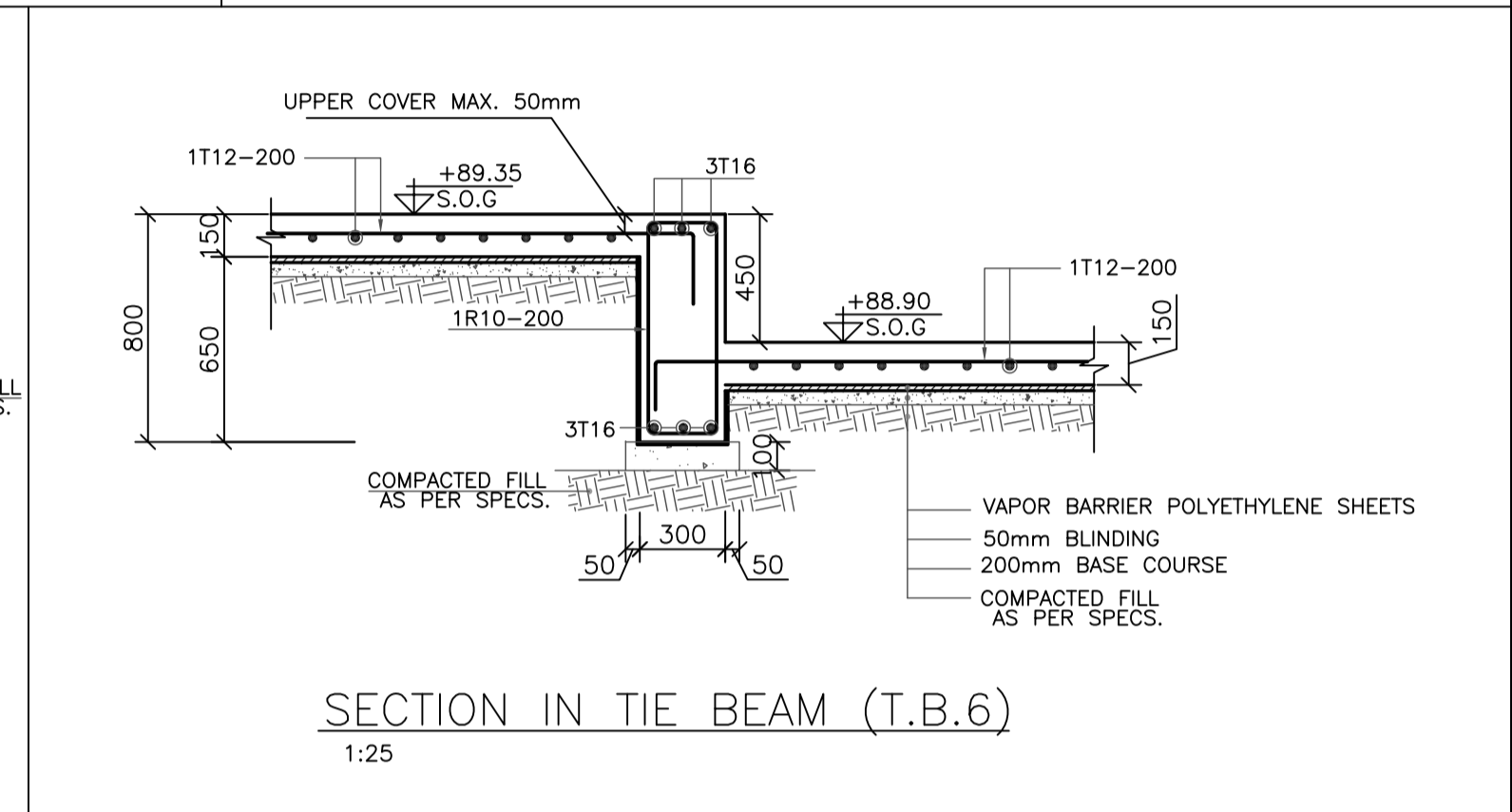
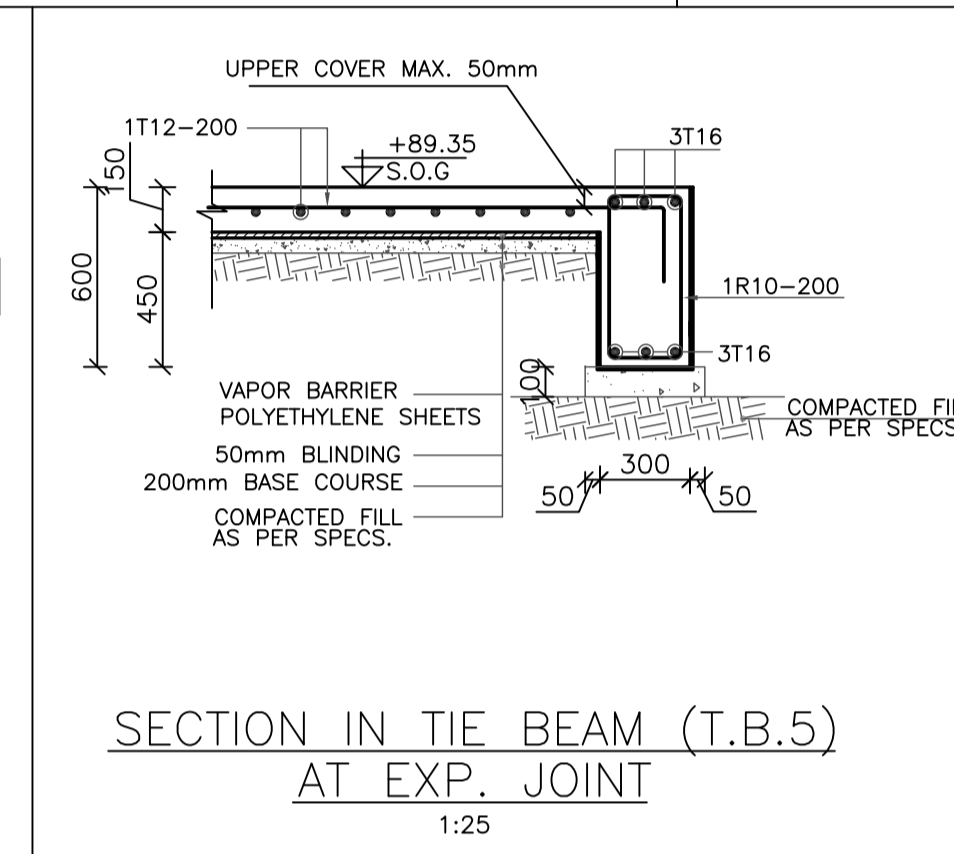
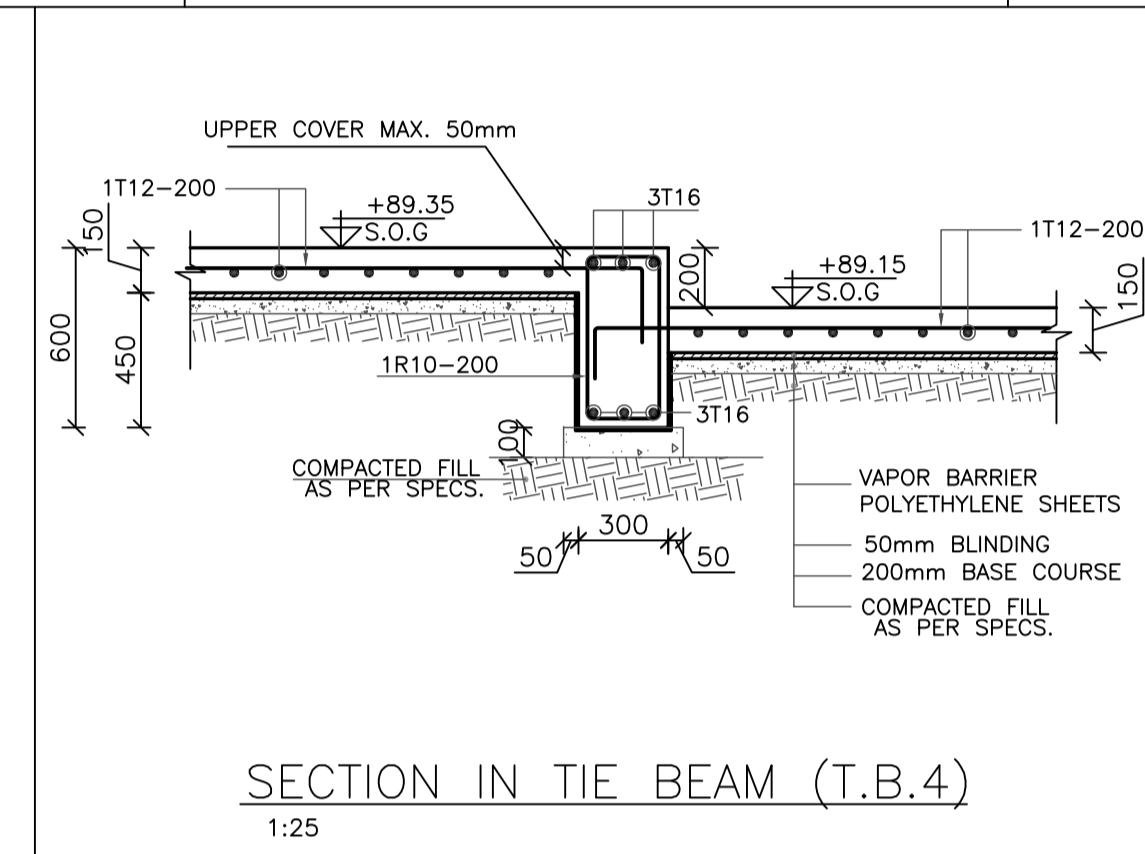
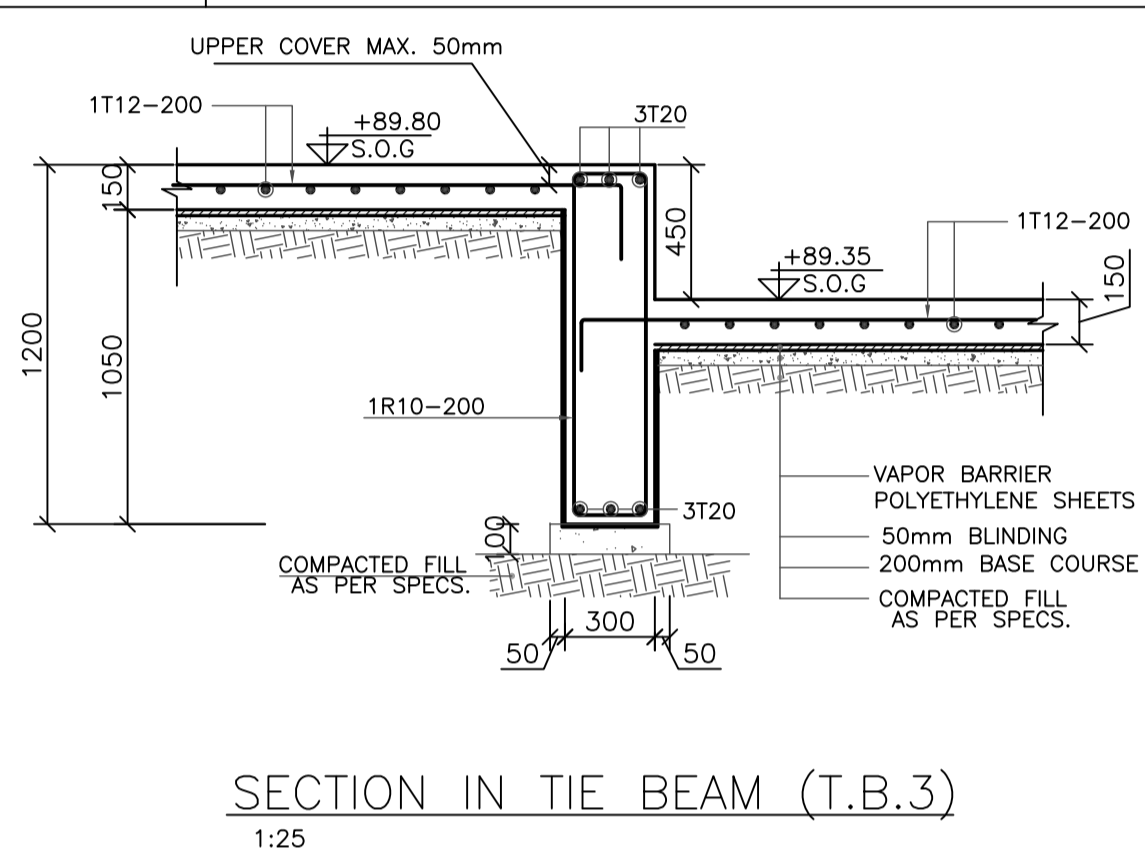
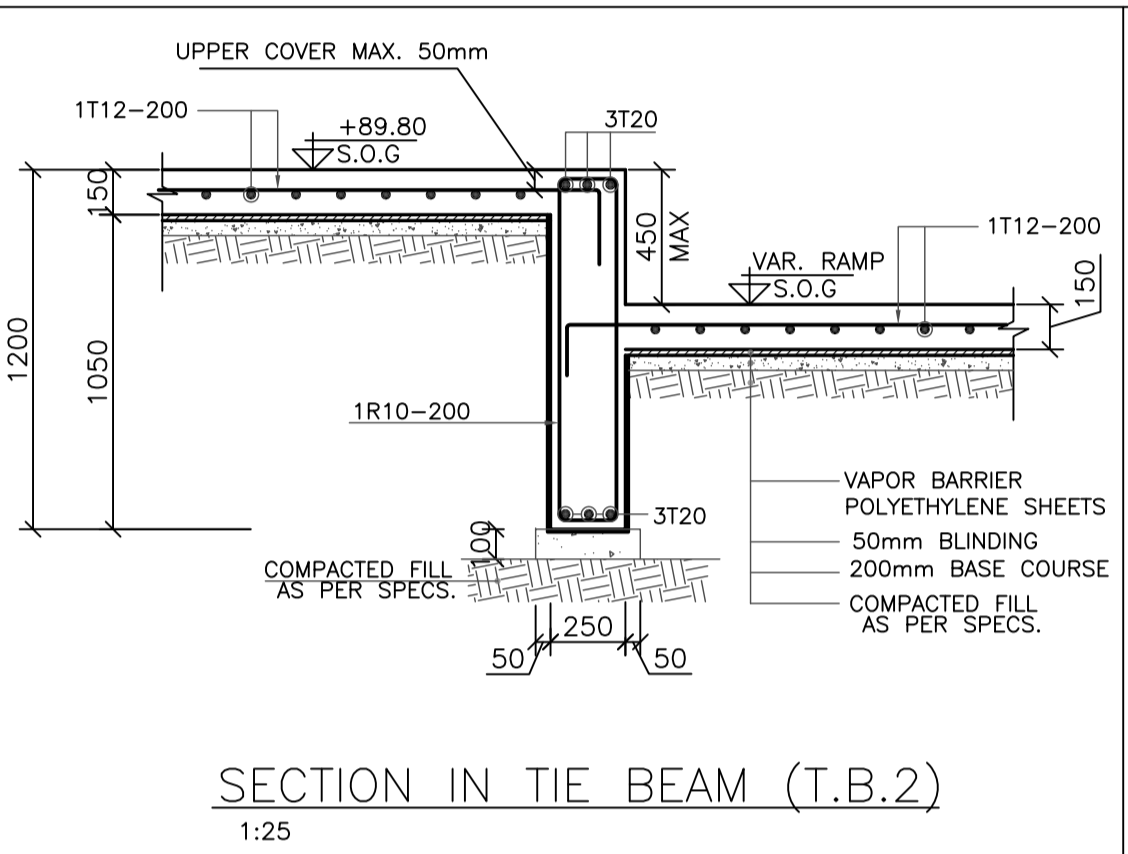
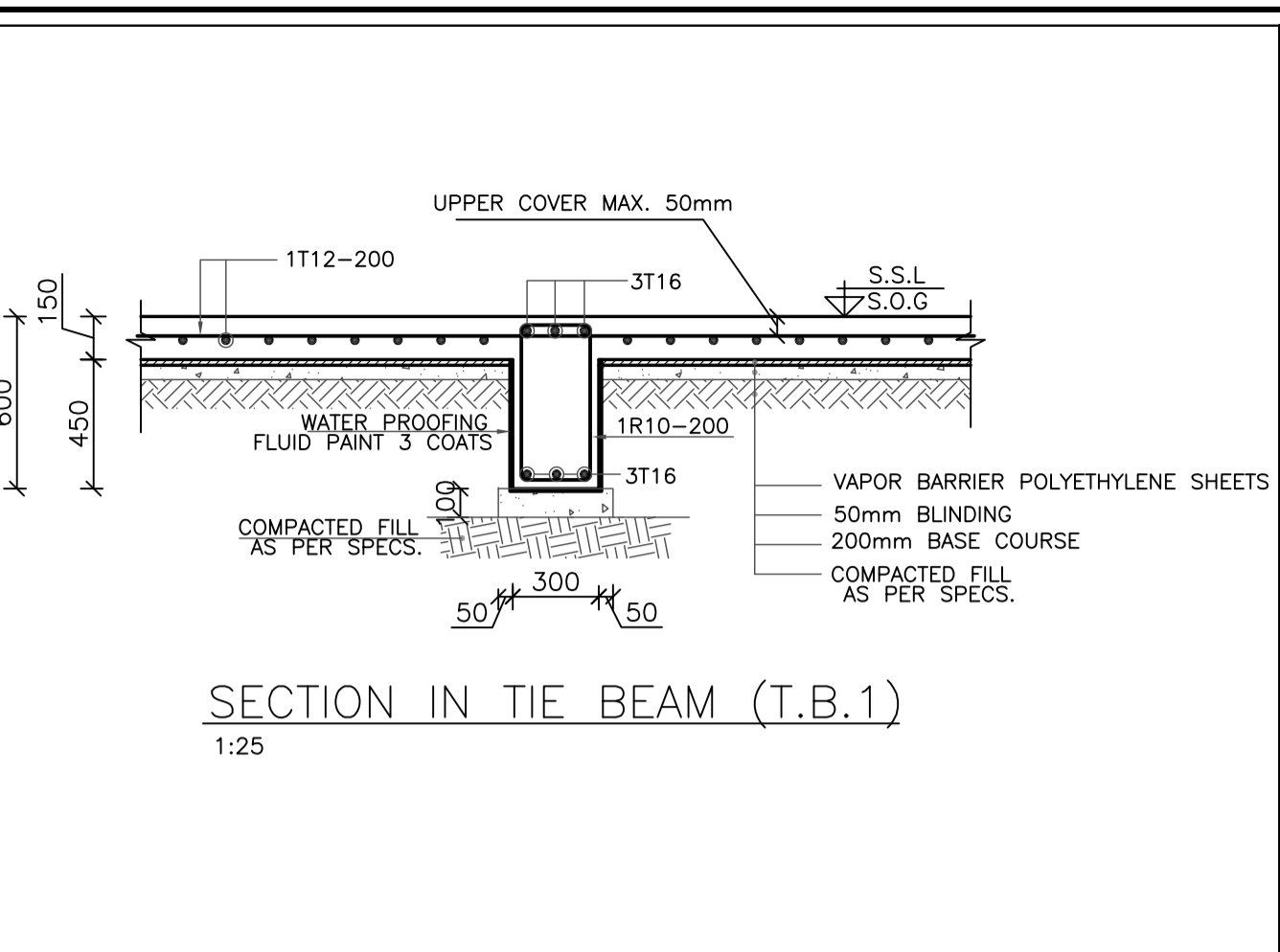
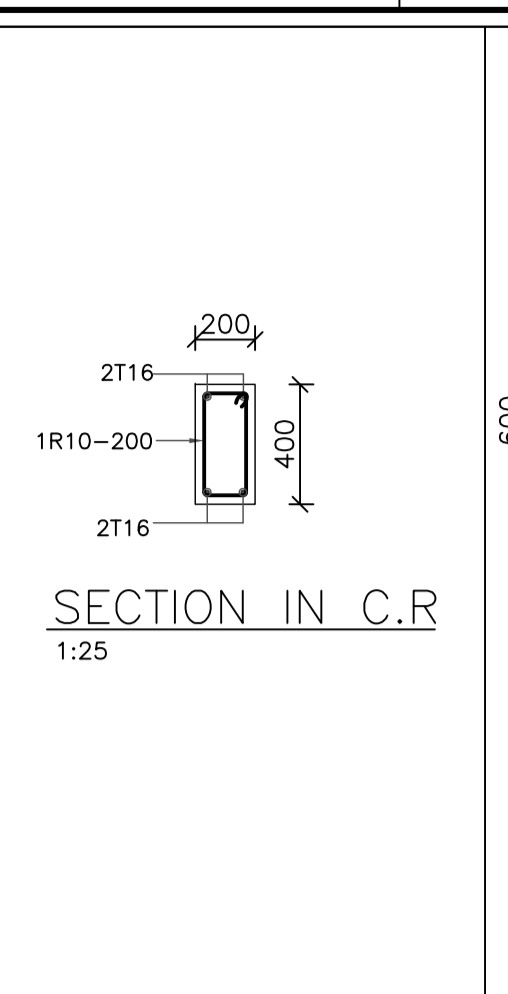
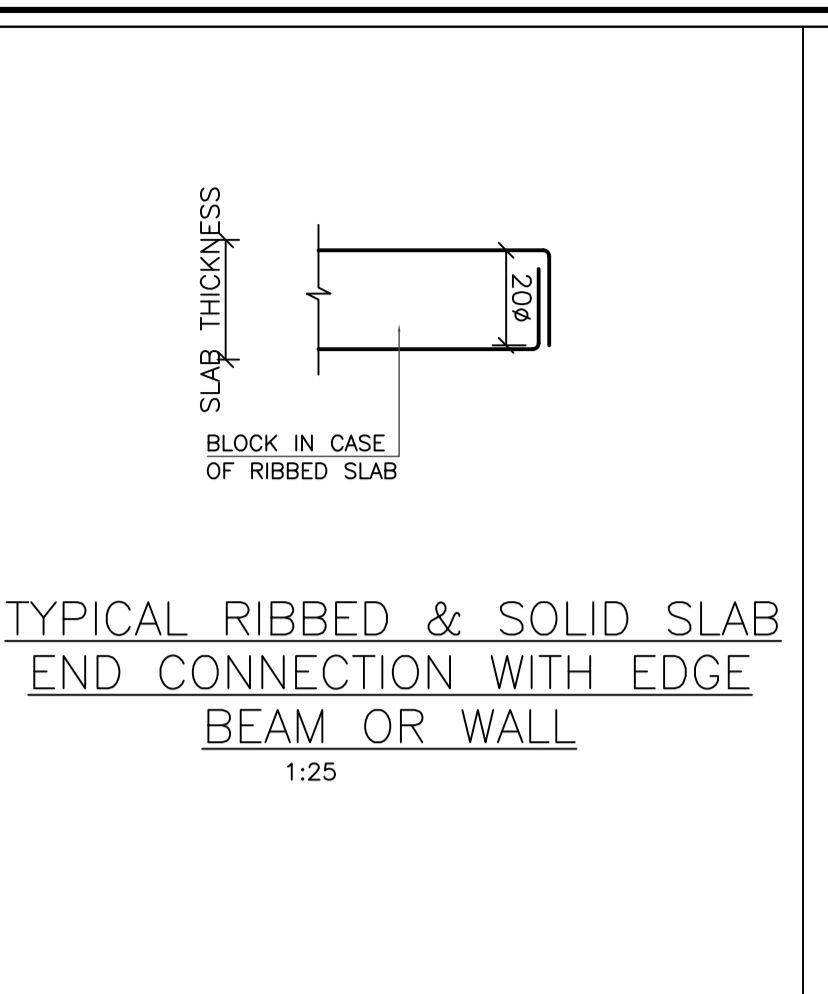
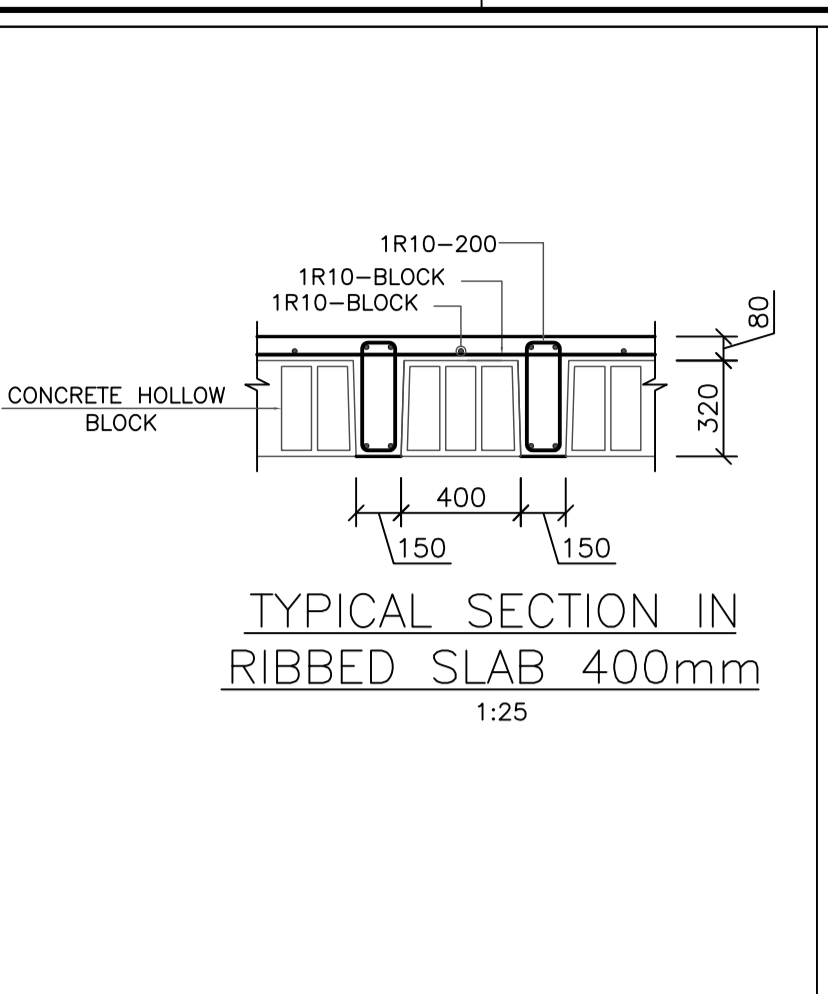
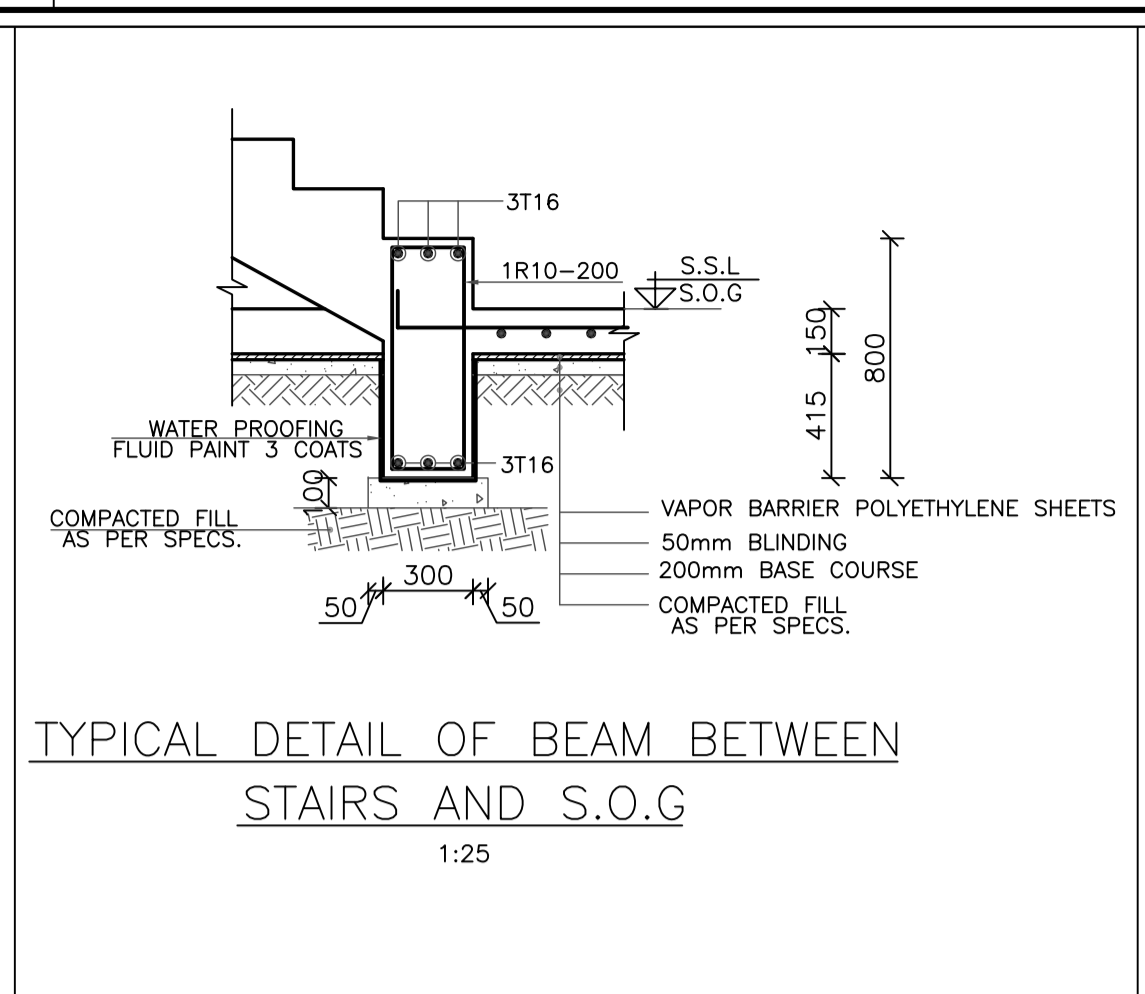
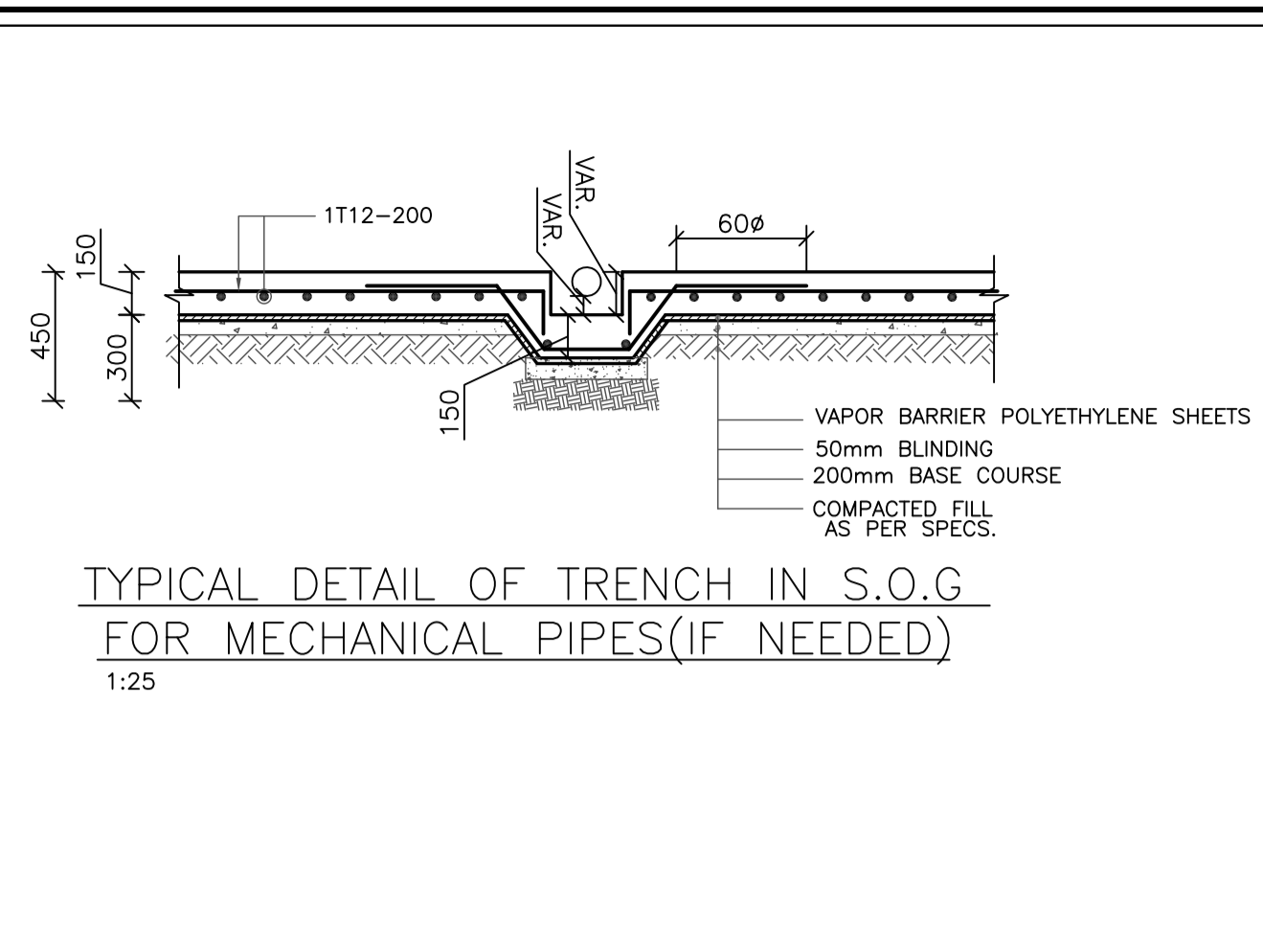
NOTES:
 • Any site work (retaining walls, planters walls, etc.) connected to the building is shown in this drawing for indication only. Refer to site details drawings for exact dimensions, location and details.
 • The indicated top level of site retaining walls (if any) shown on plans is the architectural finished level, while the indicated top level of building walls is the structural level of the reinforced concrete walls without the parapets. Refer to architectural drawings and B.O.D for levels and details of parapets.



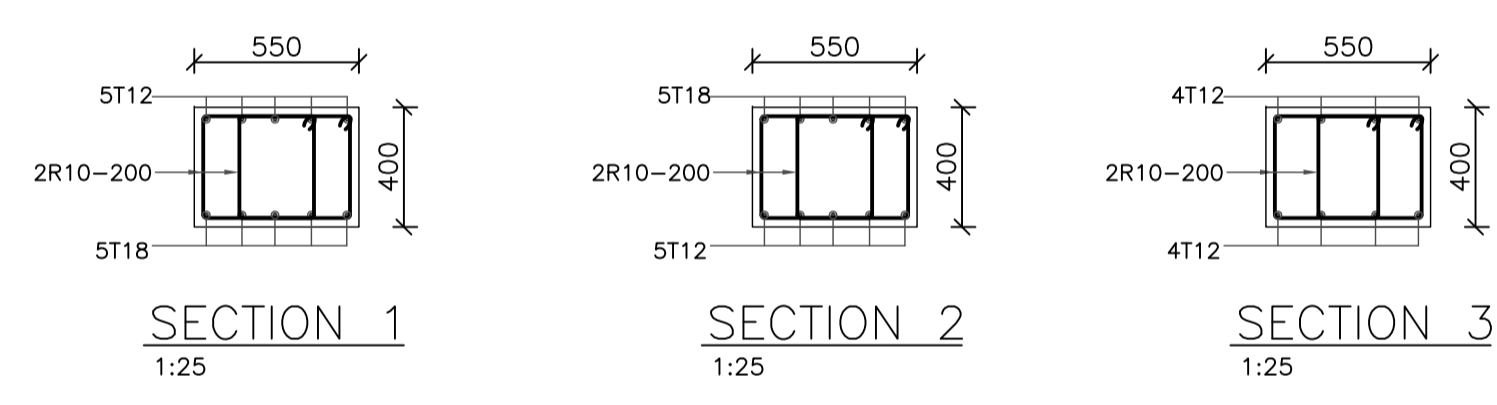
PHASE III
 PACKAGE 1
 AL KHANSA'A BASIC MIXED SCHOOL (AL BALQA)
 SCHOOLS FOR A KNOWLEDGE ECONOMY PROJECT (USAID SKEP)

DRAWING NAME:
TOP OF ROOF FLOOR FRAMING PLAN
 PLOT No: 1343.1334
 LOCATION: AL KARAMA
 BASIN NO: 1 AL BALAD AL SHARQI

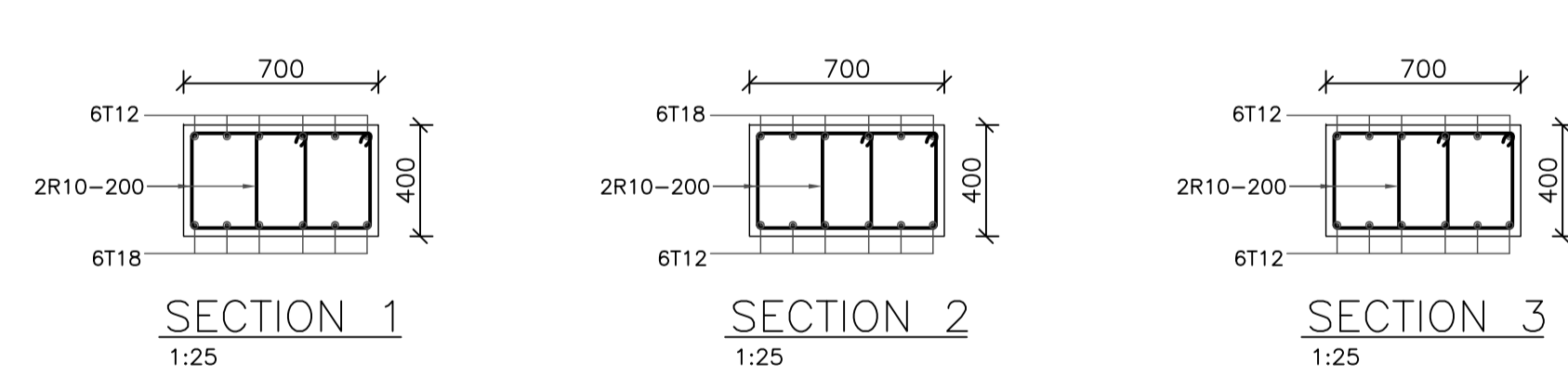
Design: A.A.
 Drawn: CAD
 Checked: I.K.H.
 SCALE: 1:100
 Date: JUNE 2020
 Approved: W.Z.
 DRAWING NUMBER: **SKEP-15-SSP405**
 Rev.: 0



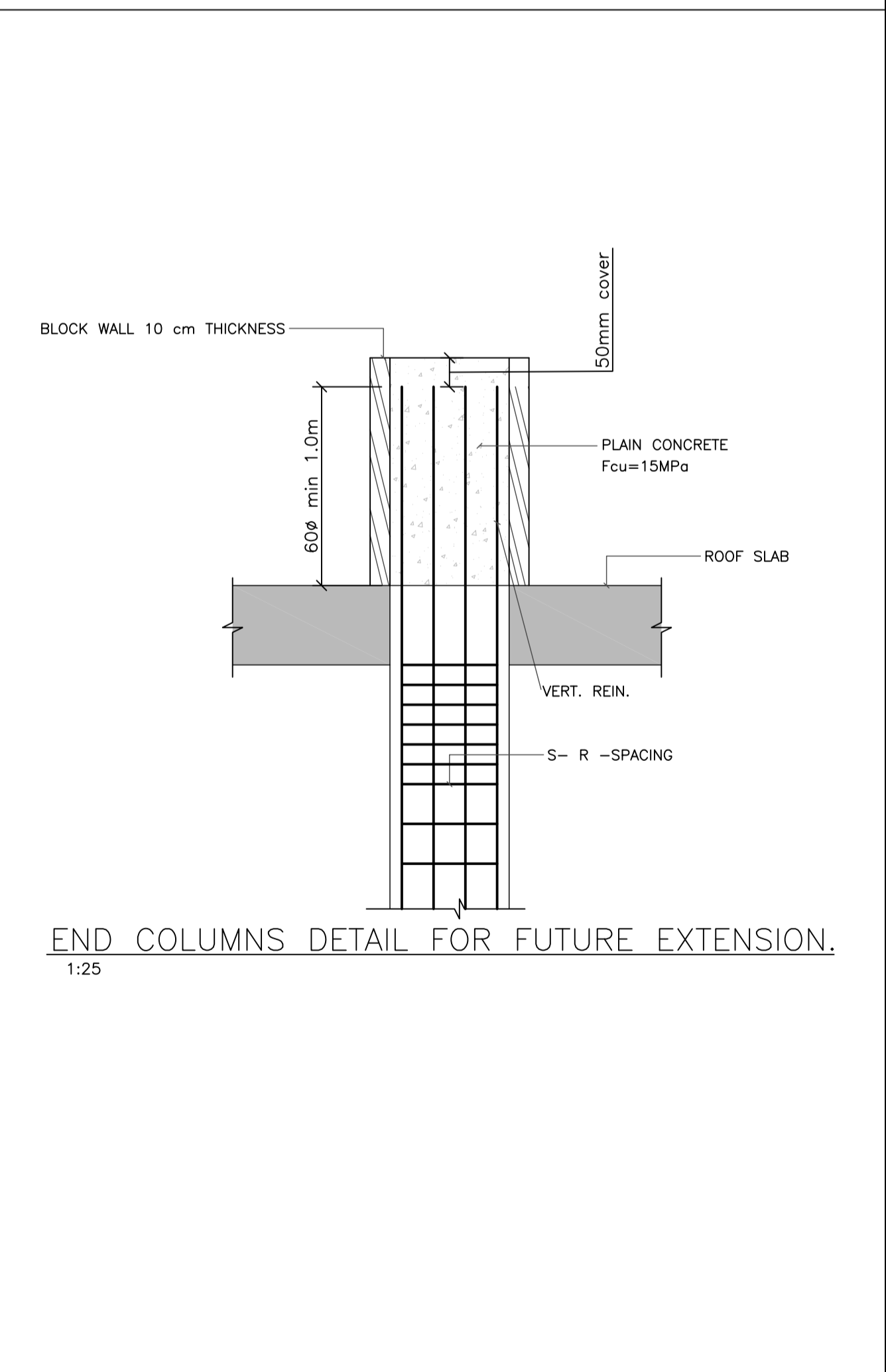
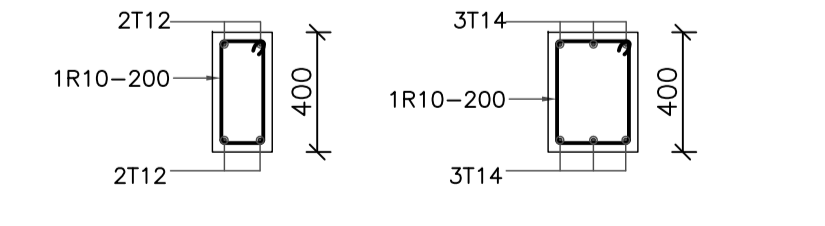
FOR DOUBLE RIB (W=550):



FOR DOUBLE RIB (W=700):



DOUBLE RIB DETAILS (GENERAL) 1:25



REV.	DATE	REMARKS
0	JUNE 2020	VOL. IV - TENDER DRAWINGS

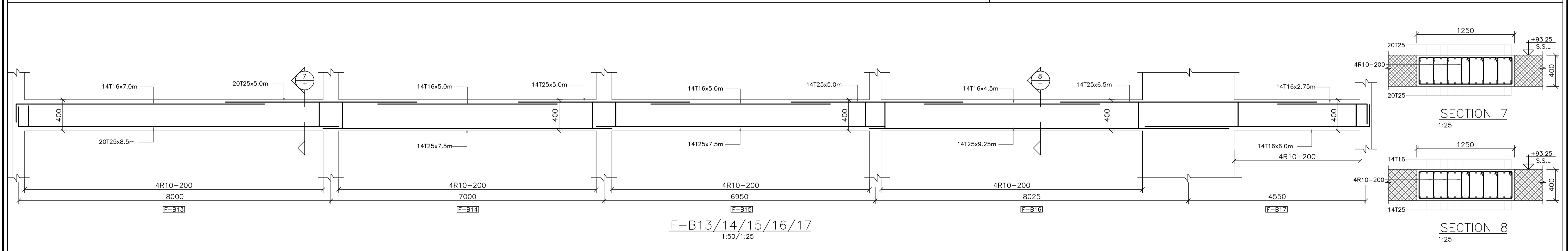
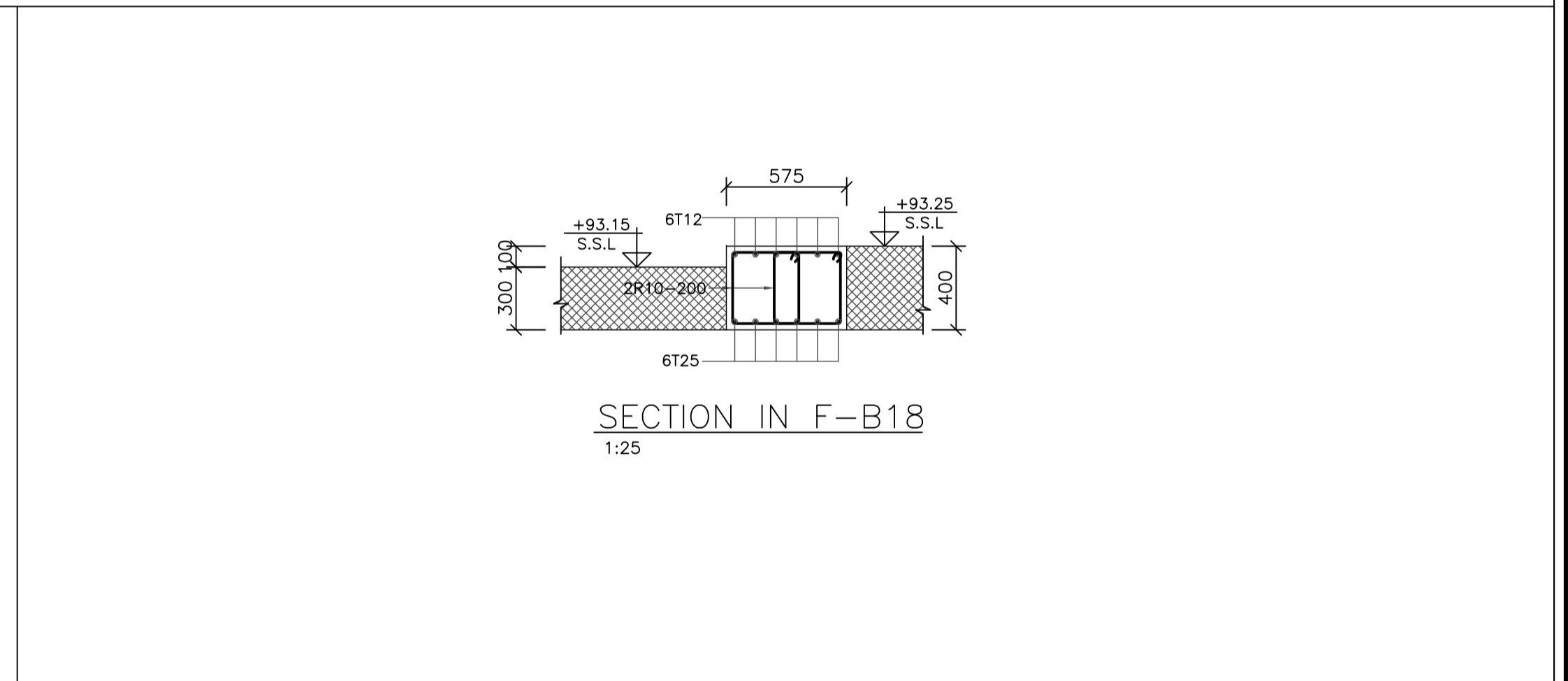
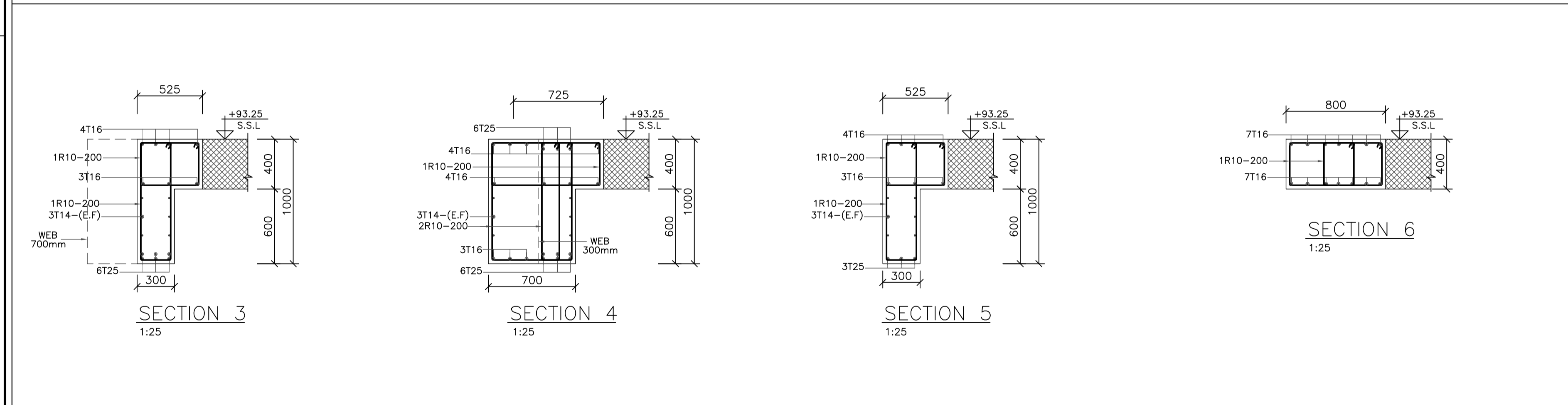
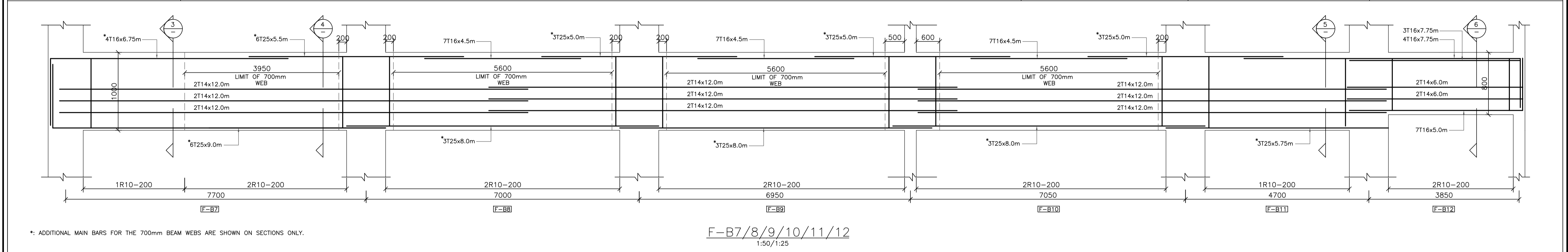
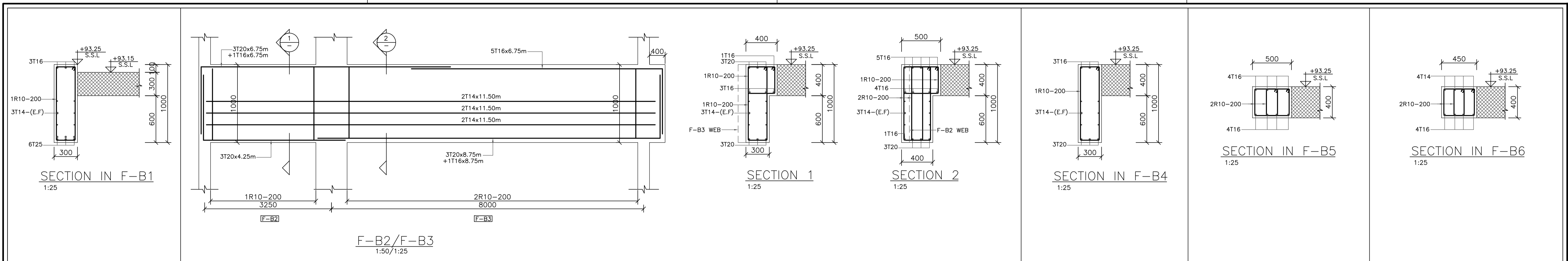
NOTES:



PHASE III	AL KHANSA'A BASIC MIXED SCHOOL (AL BALQA)
PACKAGE 1	SCHOOLS FOR A KNOWLEDGE ECONOMY PROJECT (USAID SKEP)

DRAWING NAME: TIE BEAMS & TYPICAL FRAMING DETAILS	
PLOT No: 1343.1334	BASIN NO: 1 AL BALAD AL SHARQI

Design: A.A.	Drawn: CAD	Checked: I.K.H.	North: ↑
SCALE: 1:25	Date: JUNE 2020	Approved: W.Z.	
DRAWING NUMBER: SKEP 15-SSB500		Rev.:	0



REV.	DATE	REMARKS
0	JUNE 2020	VOL. IV - TENDER DRAWINGS

NOTES:



PHASE III
PACKAGE 1

AL KHANSA'A BASIC MIXED SCHOOL (AL BALQA)
SCHOOLS FOR A KNOWLEDGE ECONOMY PROJECT (USAID SKEP)

DRAWING NAME:
FIRST FLOOR BEAMS DETAILS (SHEET 1 OF 3)

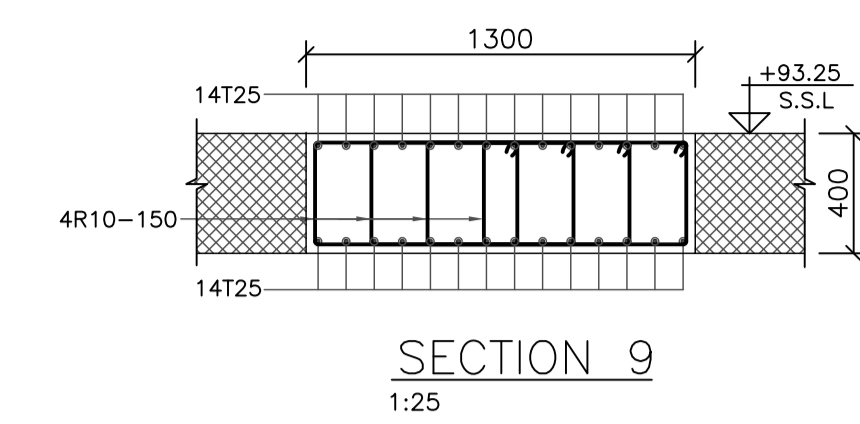
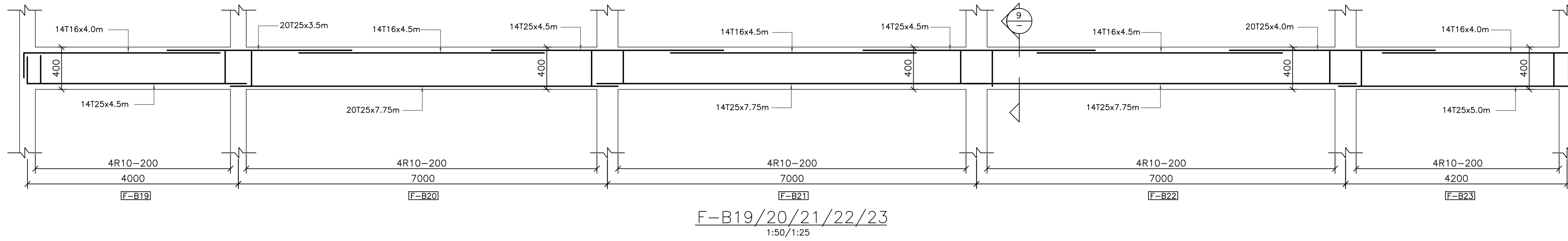
PLOT No: 1343.1334
LOCATION: AL KARAMA
BASIN NO: 1 AL BALAD AL SHARQI

Design: A.A.
SCALE: 1:50
1:25

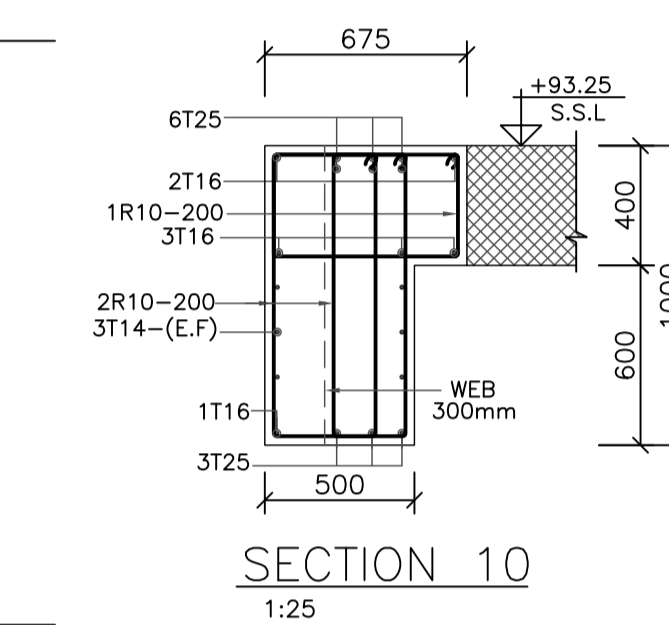
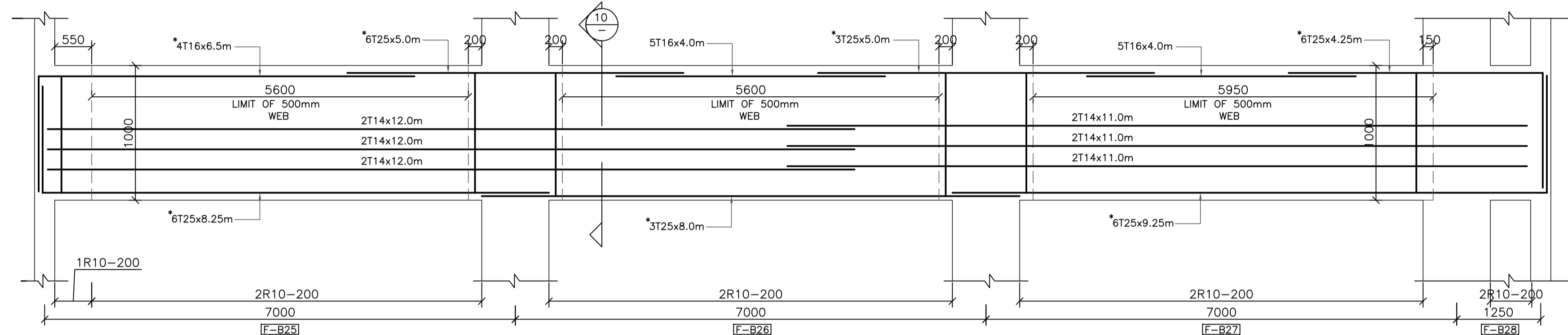
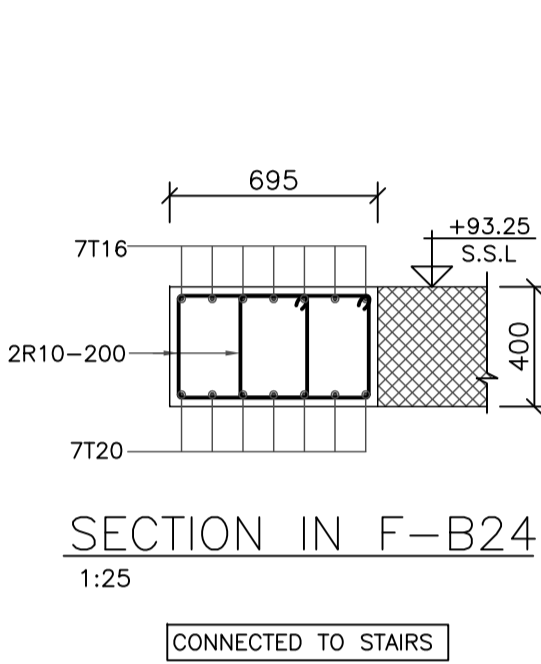
Drawn: CAD
Date: JUNE 2020

Checked: I.K.H.
Approved: W.Z.

DRAWING NUMBER: SKEP 15-SSB501
Rev.: 0

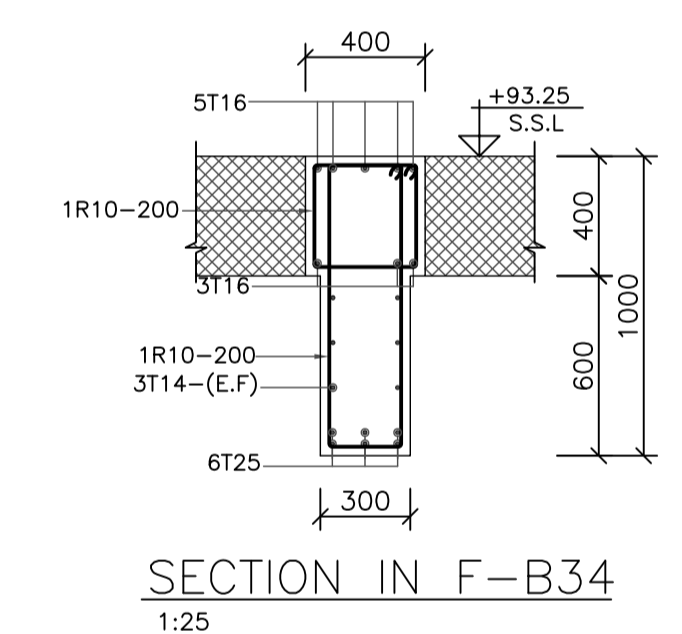
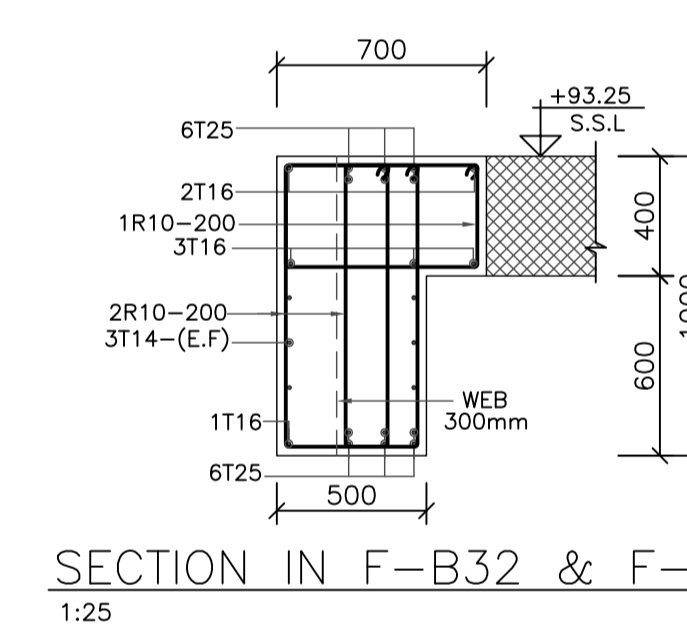
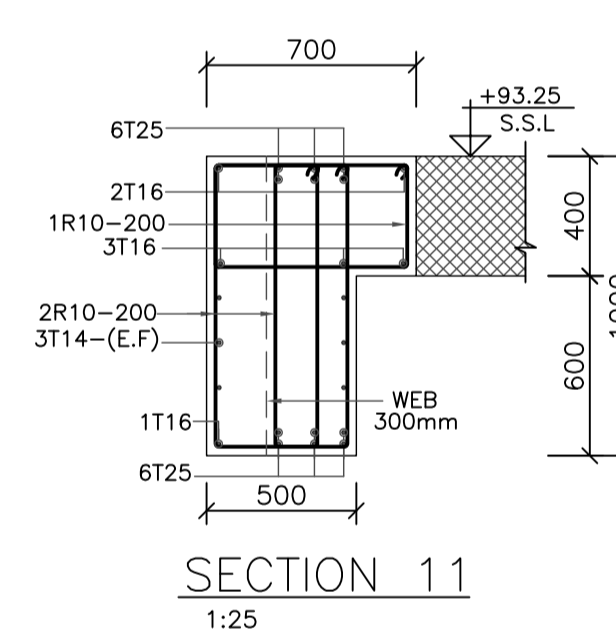
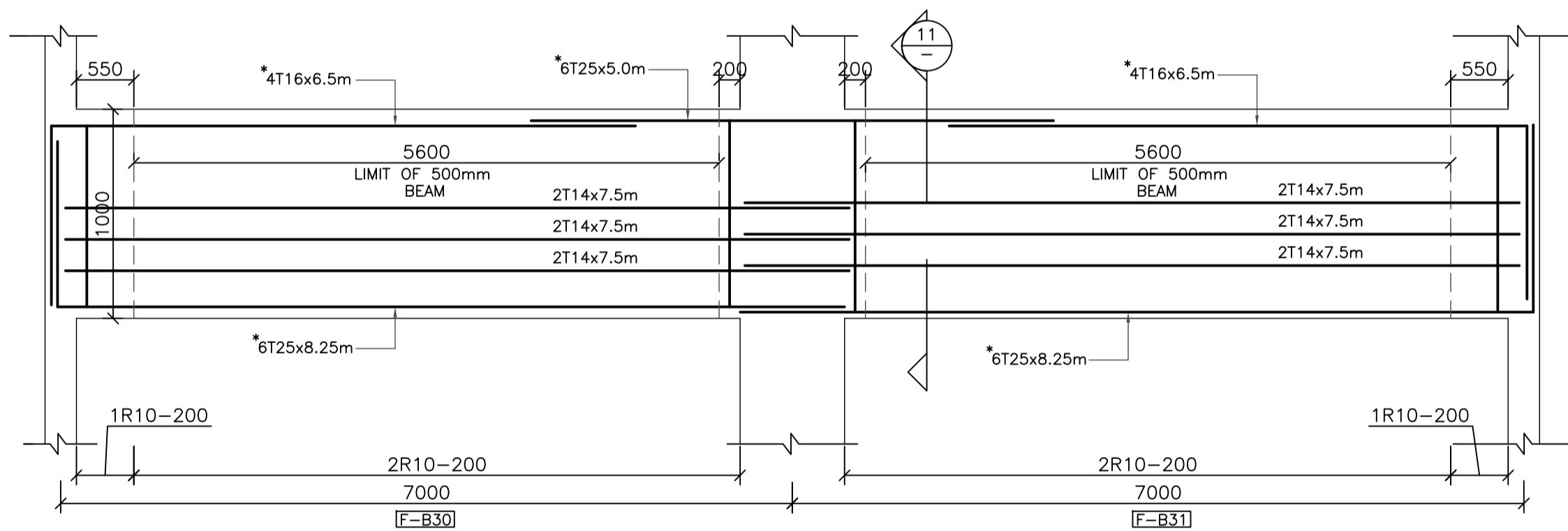
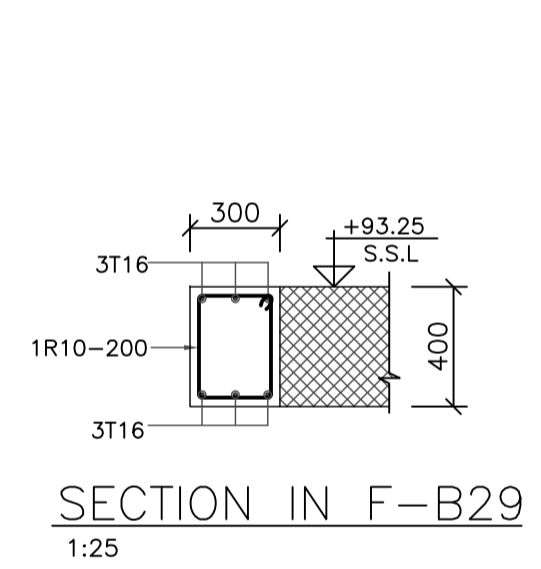


F-B19/20/21/22/23
1:50/1:25



F-B25/26/27/28
1:50/1:25

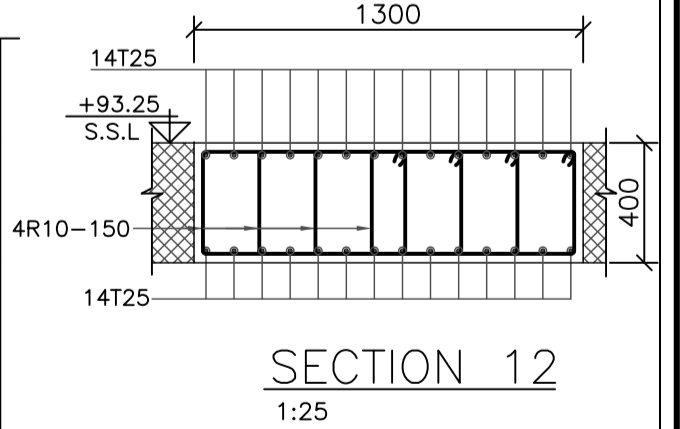
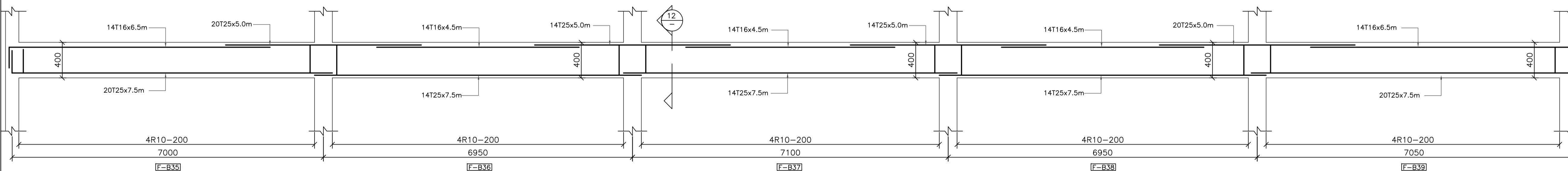
*: ADDITIONAL MAIN BARS FOR THE 500mm BEAM WEBS ARE SHOWN ON SECTIONS ONLY.



F-B30/31
1:50/1:25

*: ADDITIONAL MAIN BARS FOR THE 500mm BEAM WEBS ARE SHOWN ON SECTIONS ONLY.

COUPLING BEAM NEAR F-B32 SHOULD HAVE ADDITIONAL REINFORCING BARS (SAME AS F-B32) WHEN THE WEB OF BEAM IS 500mm.



F-B35/36/37/38/39
1:50/1:25

REV.	DATE	REMARKS
0	JUNE 2020	VOL. IV - TENDER DRAWINGS

NOTES:



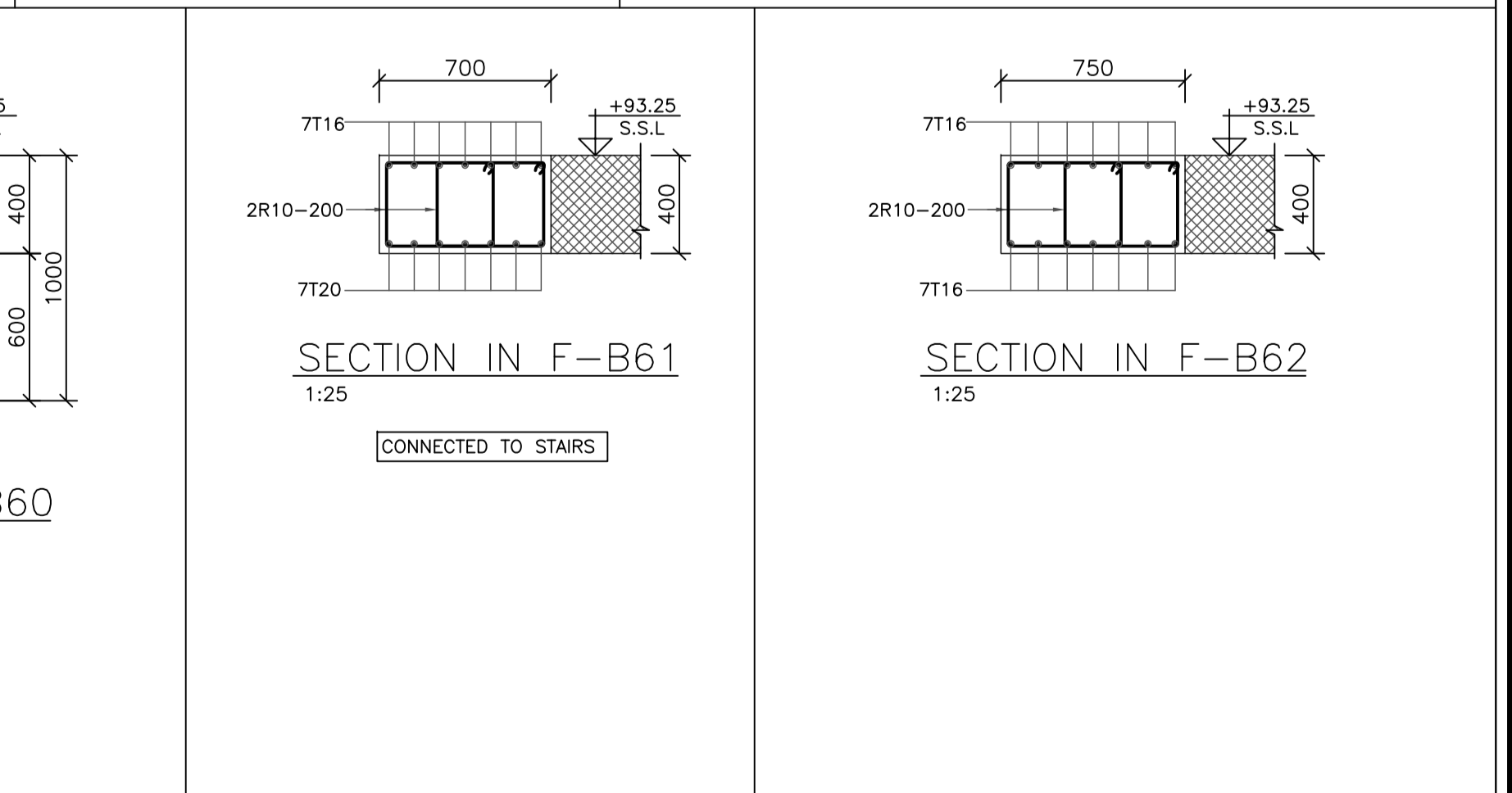
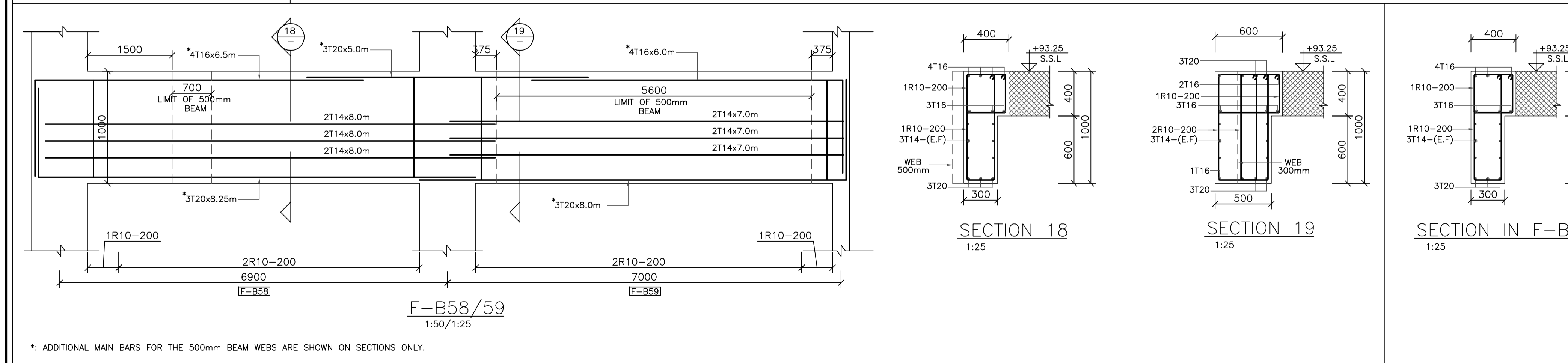
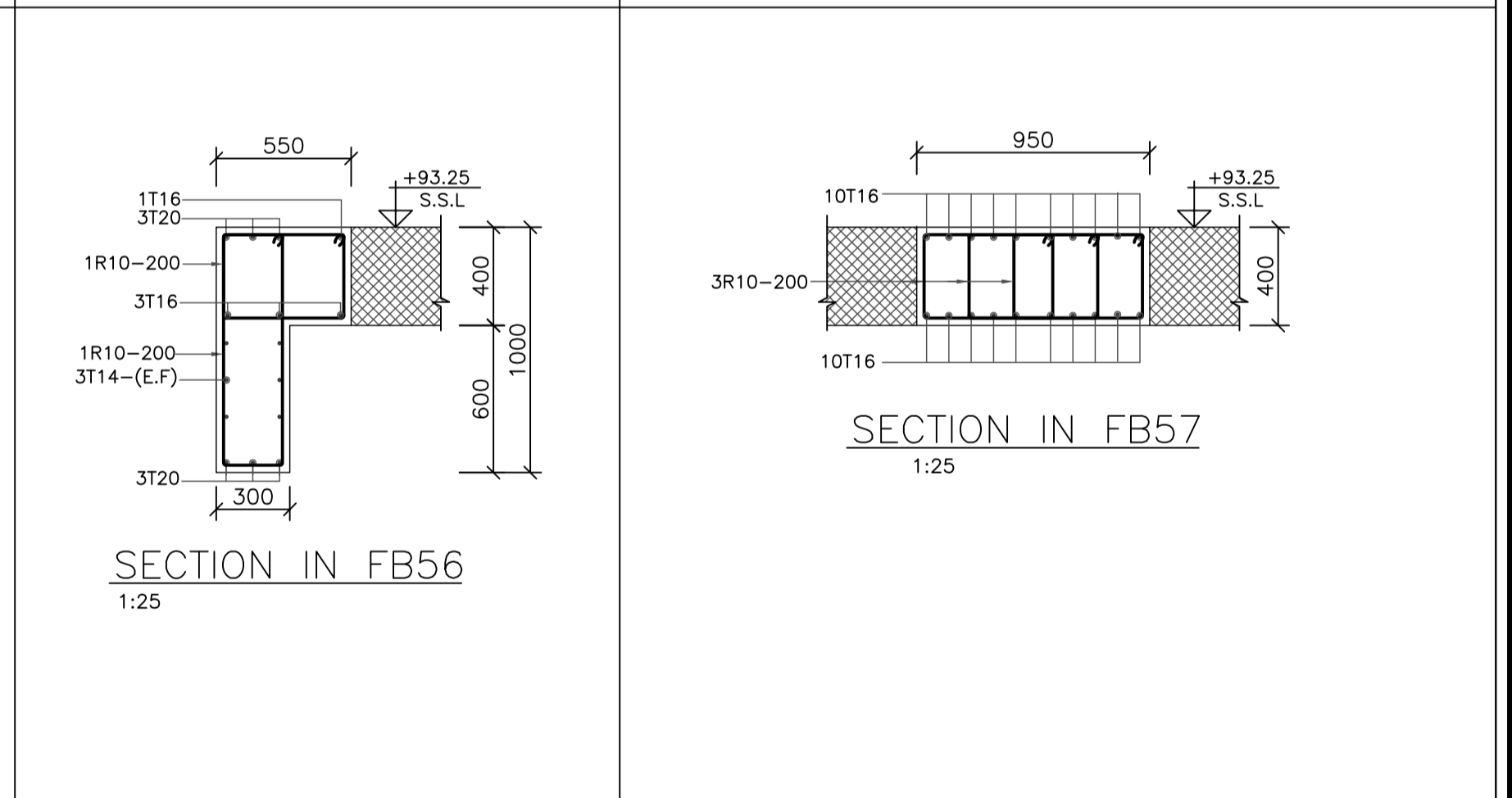
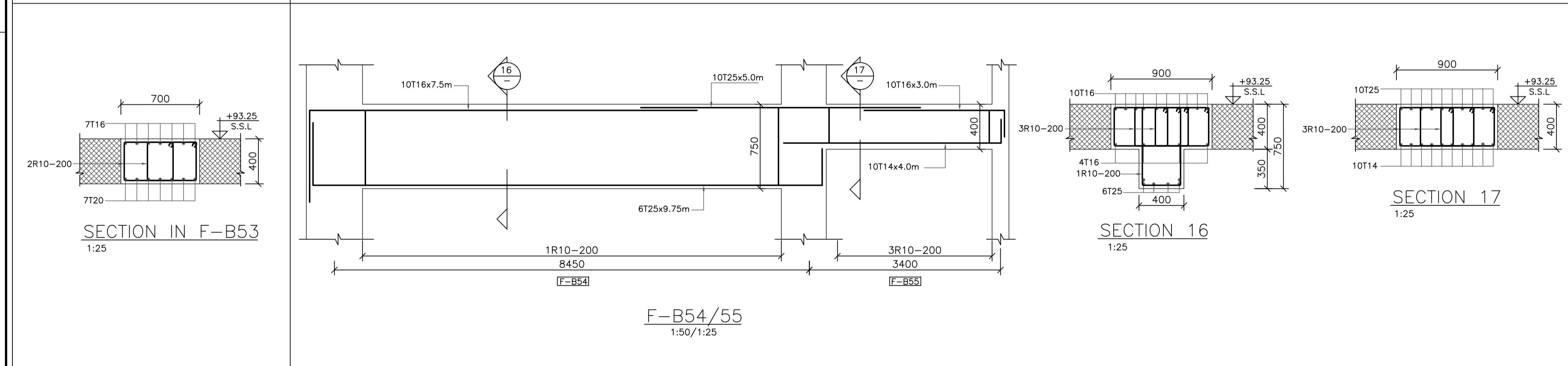
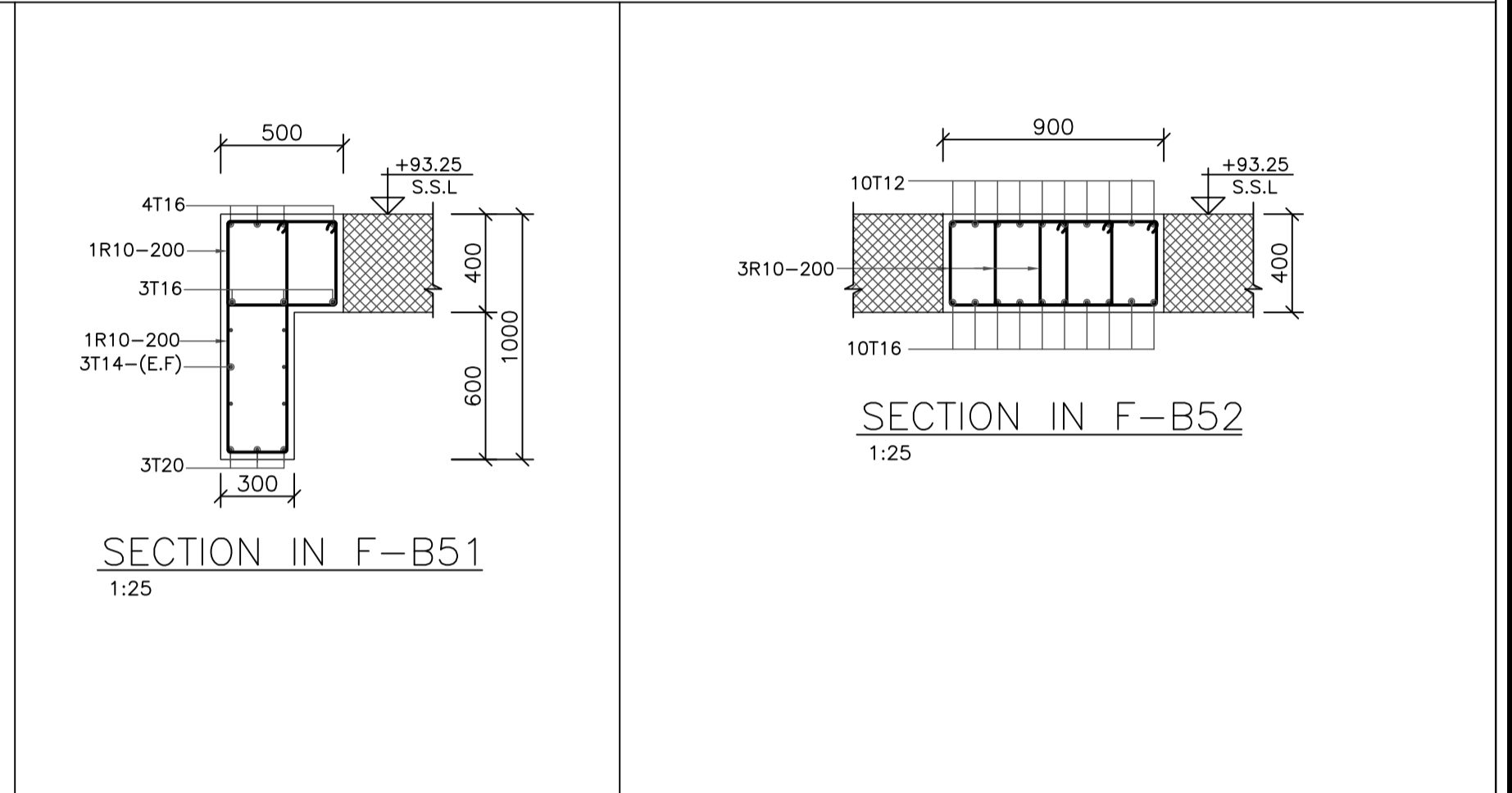
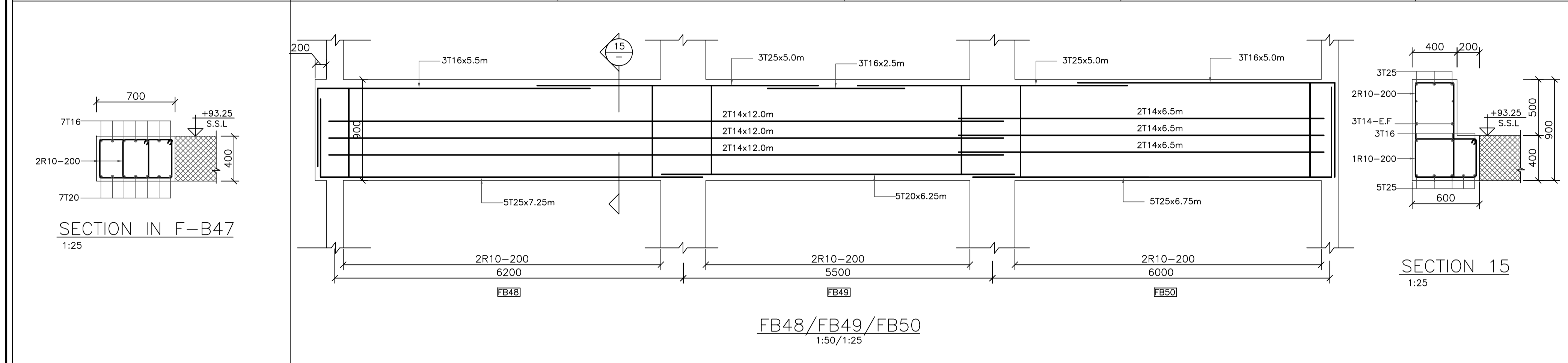
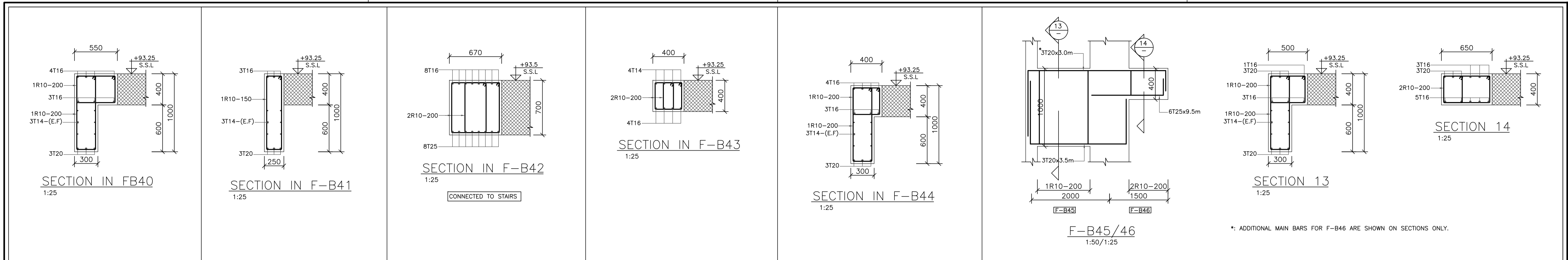
USAID
FROM THE AMERICAN PEOPLE



PHASE III	AL KHANSA'A BASIC MIXED SCHOOL (AL BALQA)
PACKAGE 1	SCHOOLS FOR A KNOWLEDGE ECONOMY PROJECT (USAID SKEP)

DRAWING NAME: FIRST FLOOR BEAMS DETAILS (SHEET 2 OF 3)	
PLOT No 1343.1334	BASIN NO 1 AL BALAD AL SHARQI

Design: A.A.	Drawn: CAD	Checked: I.K.H.	North: ↑
SCALE: 1:50 1:25	Date: JUNE 2020	Approved: W.Z.	
DRAWING NUMBER: SKEP 15-SSB502		Rev.:	0



NOTES:

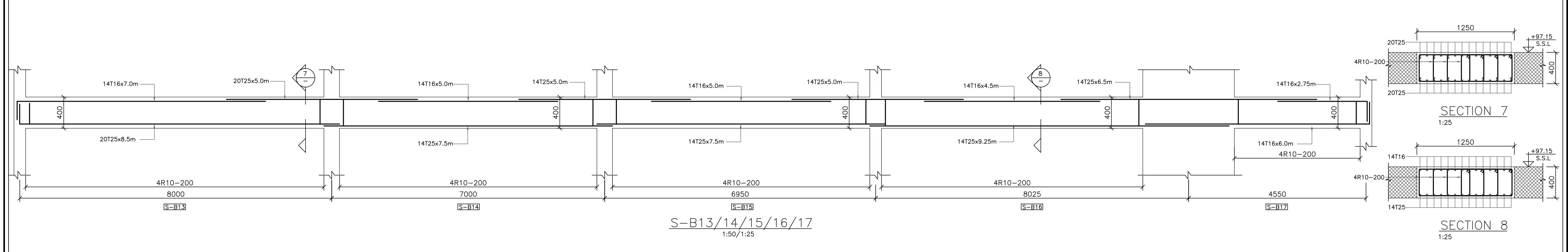
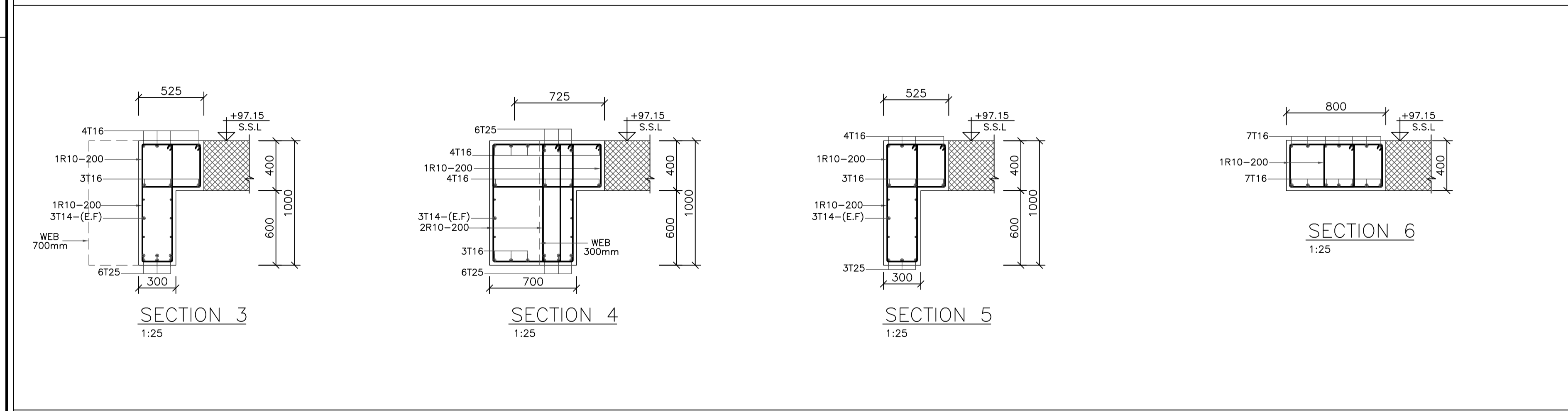
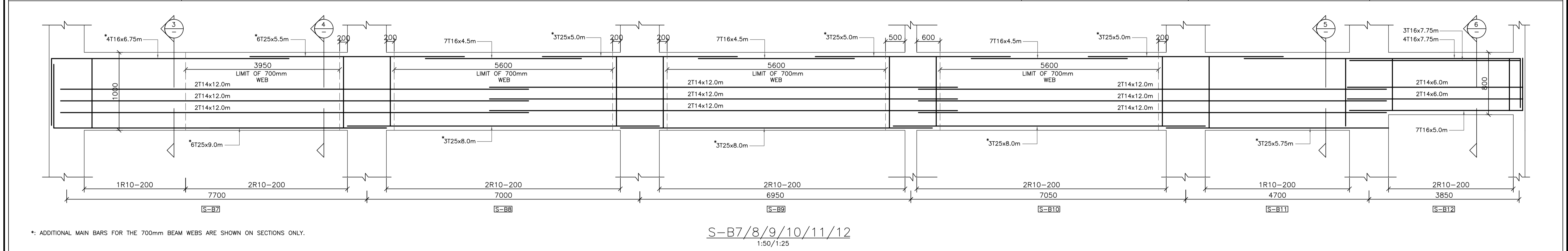
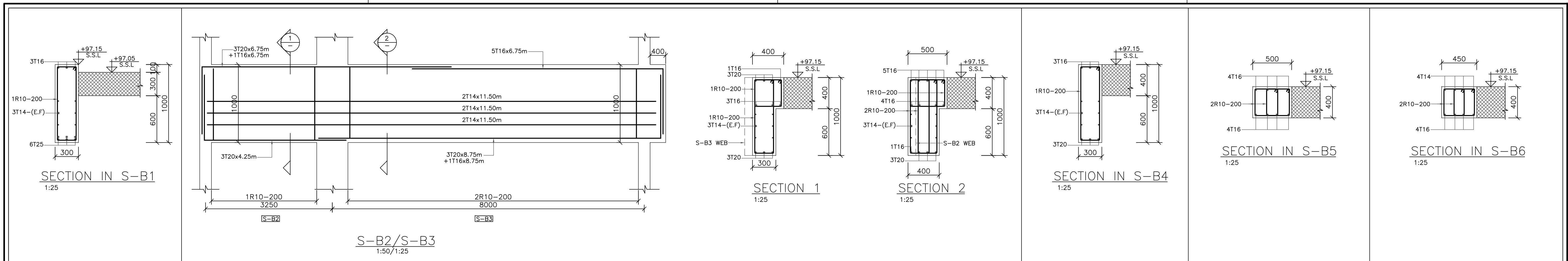
0	JUNE 2020	VOL. IV - TENDER DRAWINGS
REV.	DATE	REMARKS



PHASE III
AL KHANSA'A BASIC MIXED SCHOOL (AL BALQA)
PACKAGE 1
SCHOOLS FOR A KNOWLEDGE ECONOMY PROJECT (USAID SKEP)

DRAWING NAME:
FIRST FLOOR BEAMS DETAILS (SHEET 3 OF 3)
PLOT No: 1343.1334
LOCATION: AL KARAMA
BASIN NO: 1 AL BALAD AL SHARQI

Design: A.A.
SCALE: 1:50
1:25
DRAWING NUMBER: SKEP 15-SSB503
Drawn: CAD
Date: JUNE 2020
Approved: W.Z.
Checked: I.KH.
Rev.: 0



REV.	DATE	REMARKS
0	JUNE 2020	VOL. IV - TENDER DRAWINGS

NOTES:

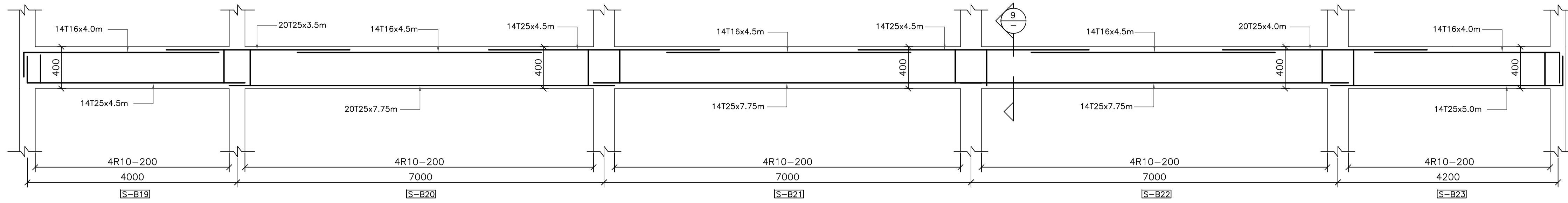


PHASE III
AL KHANSA'A BASIC MIXED SCHOOL (AL BALQA)
PACKAGE 1
SCHOOLS FOR A KNOWLEDGE ECONOMY PROJECT (USAID SKEP)

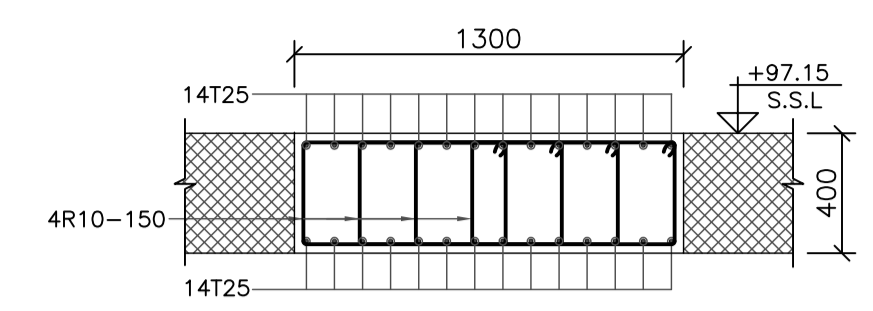
DRAWING NAME:
SECOND FLOOR BEAMS DETAILS
(SHEET 1 OF 4)
PLOT No: 1343.1334
LOCATION: AL KARAMA
BASIN NO: 1 AL BALAD AL SHARQI

Design: A.A.
Scale: 1:50
Date: JUNE 2020
Drawing Number: **SKEP 15-SSB504**

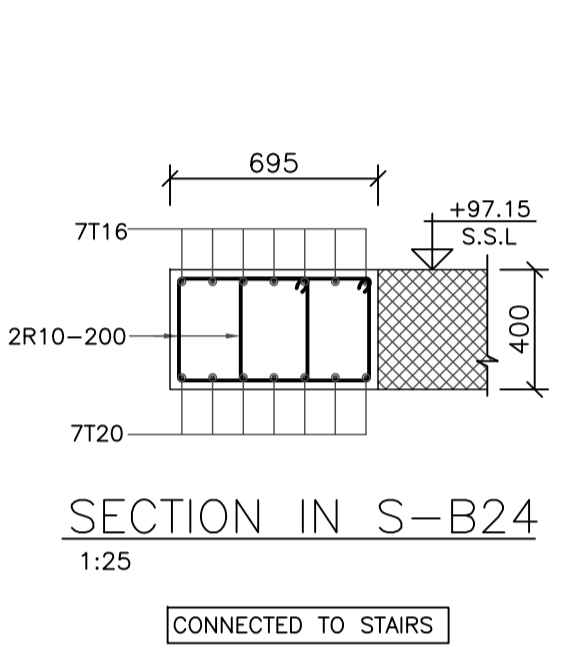
Drawn: CAD
Checked: I.KH.
Approved: W.Z.
Rev.: 0



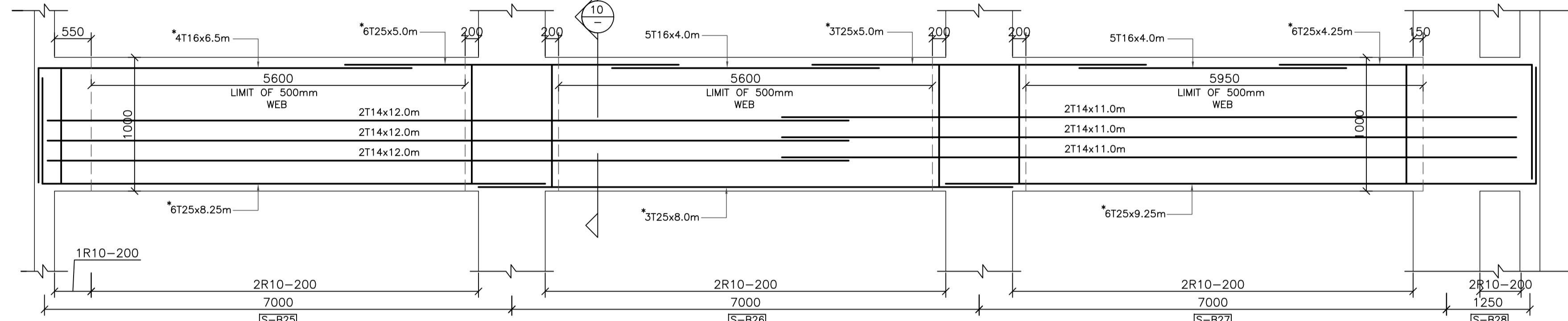
S-B19/20/21/22/23
1:50/1:25



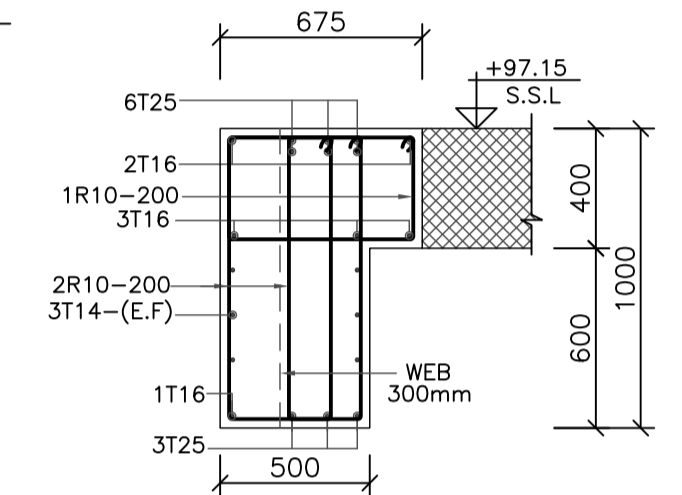
SECTION 9
1:25



SECTION IN S-B24
1:25

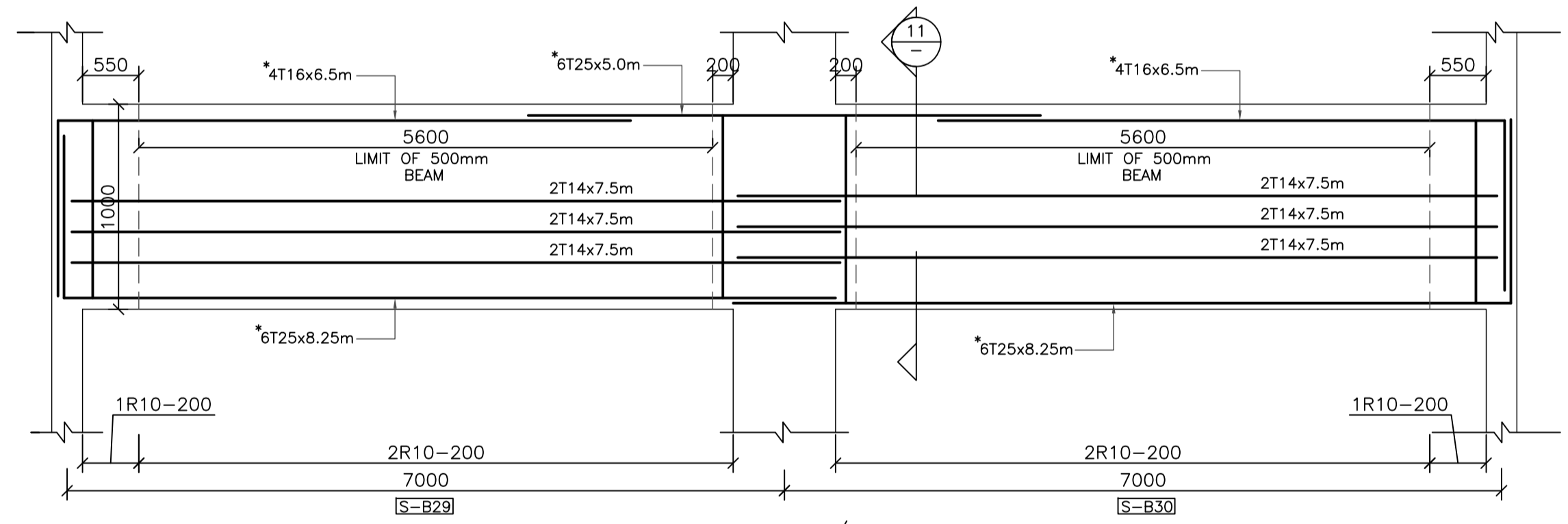


S-B25/26/27/28
1:50/1:25

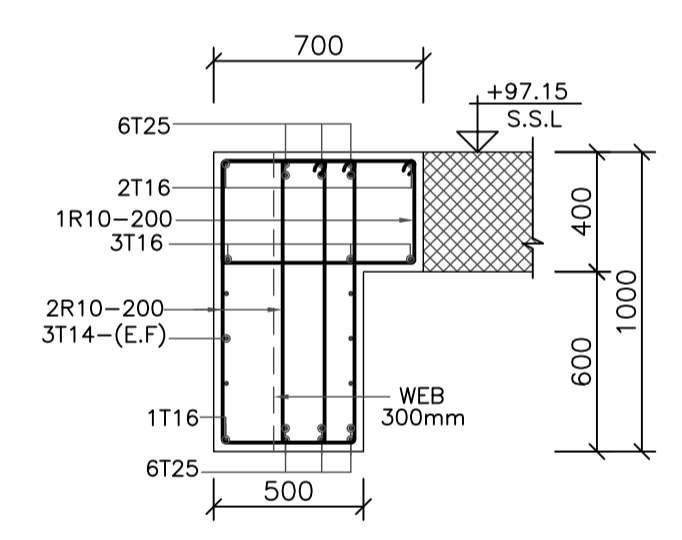


SECTION 10
1:25

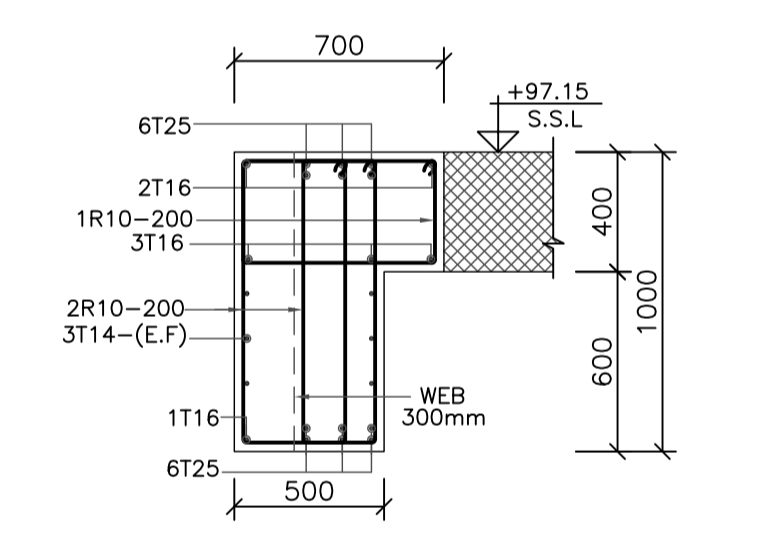
*: ADDITIONAL MAIN BARS FOR THE 500mm BEAM WEBS ARE SHOWN ON SECTIONS ONLY.



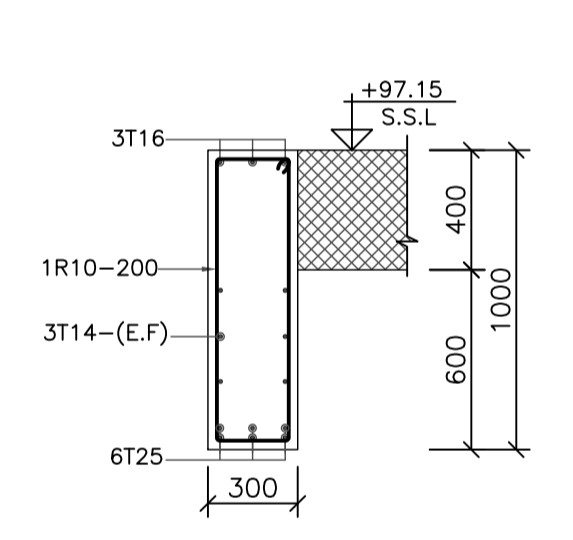
S-B29/30
1:50/1:25



SECTION 11
1:25



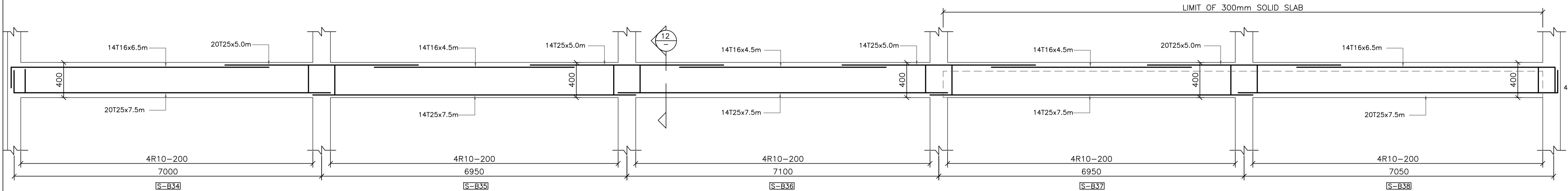
SECTION IN S-B31 & S-B32
1:25



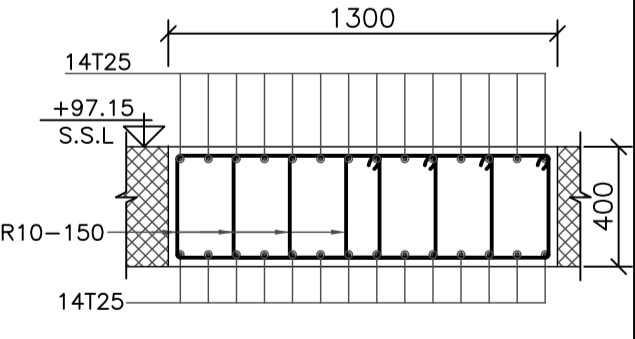
SECTION IN S-B33
1:25

COUPLING BEAM NEAR S-B31 SHOULD HAVE ADDITIONAL REINFORCING BARS (SAME AS S-B31) WHEN THE WEB OF BEAM IS 500mm.

*: ADDITIONAL MAIN BARS FOR THE 500mm BEAM WEBS ARE SHOWN ON SECTIONS ONLY.



S-B34/35/36/37/38
1:50/1:25



SECTION 12
1:25

REV.	DATE	REMARKS
0	JUNE 2020	VOL. IV - TENDER DRAWINGS

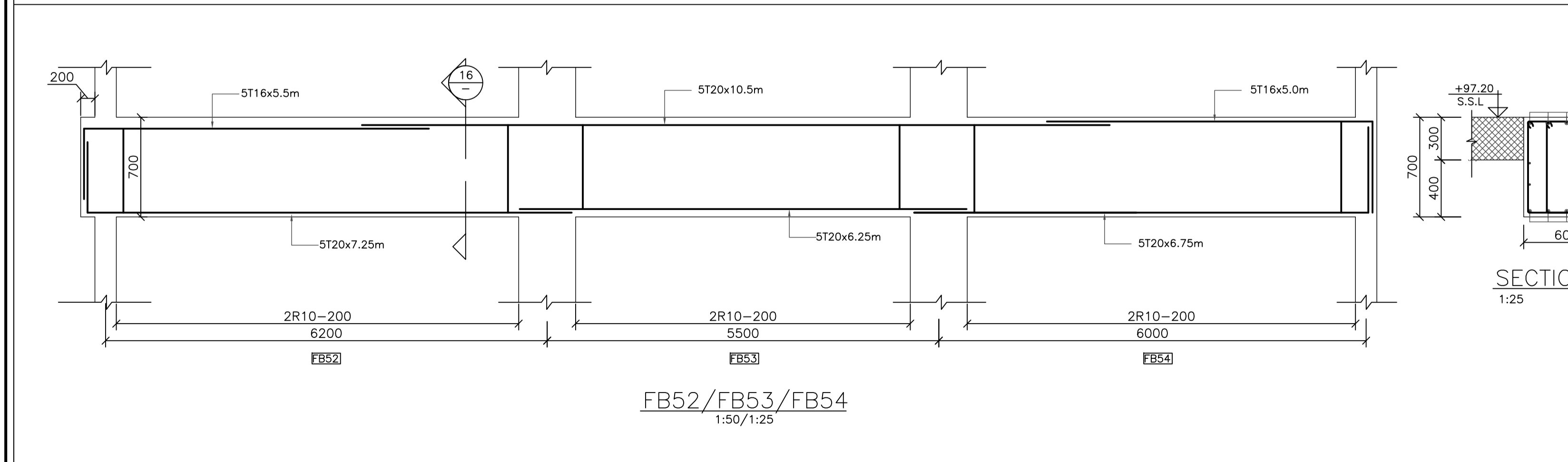
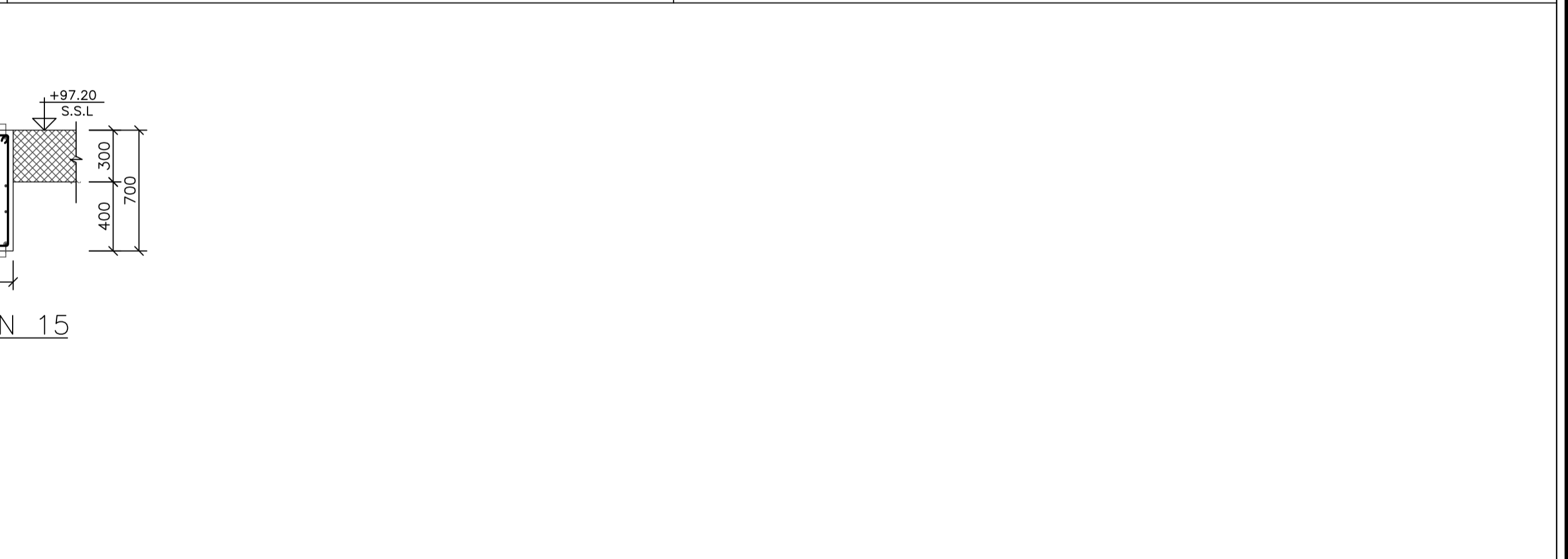
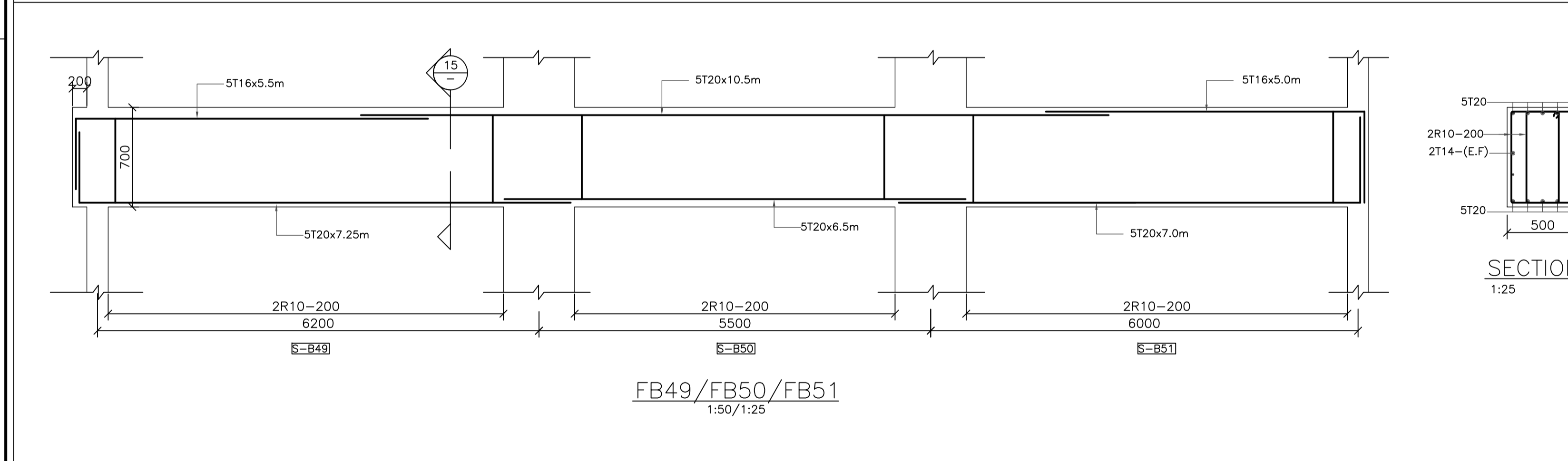
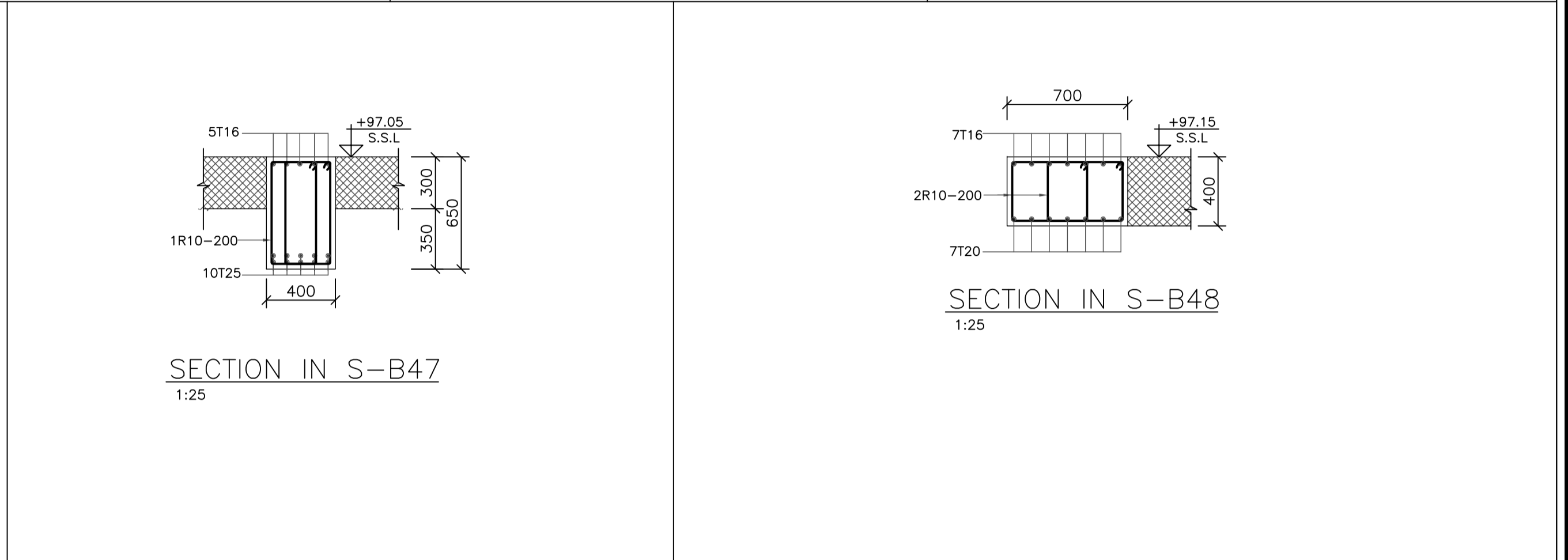
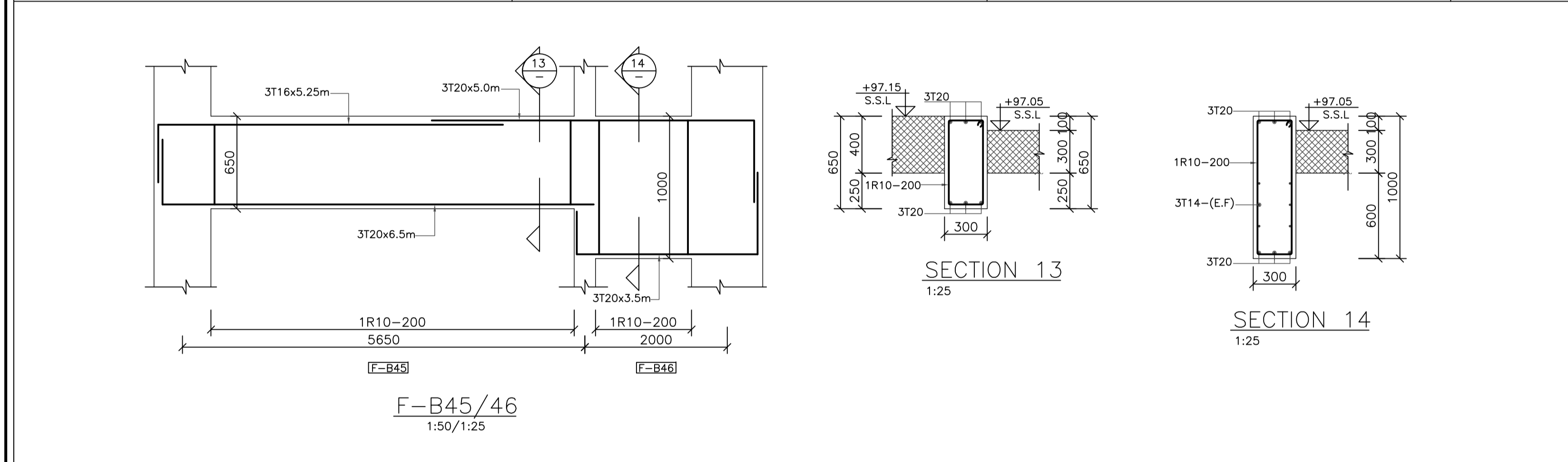
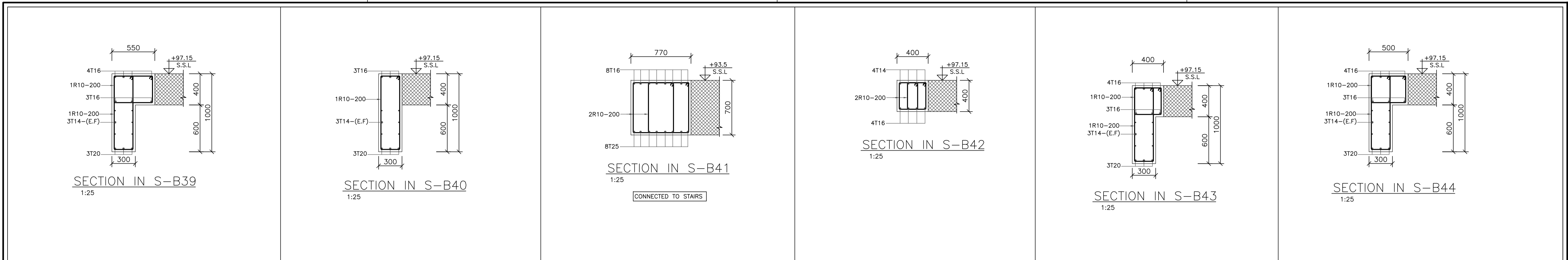
NOTES:



PHASE III
AL KHANSA'A BASIC MIXED SCHOOL (AL BALQA)
PACKAGE 1
SCHOOLS FOR A KNOWLEDGE ECONOMY PROJECT (USAID SKEP)

DRAWING NAME:
SECOND FLOOR BEAMS DETAILS (SHEET 2 OF 4)
PLOT No: 1343.1334
LOCATION: AL KARAMA
BASIN NO: 1 AL BALAD AL SHARQI

Design: A.A.
Drawn: CAD
Checked: I.KH.
Date: JUNE 2020
Approved: W.Z.
DRAWING NUMBER: SKEP 15-SSB505
Rev: 0



REV.	DATE	REMARKS
0	JUNE 2020	VOL. IV - TENDER DRAWINGS

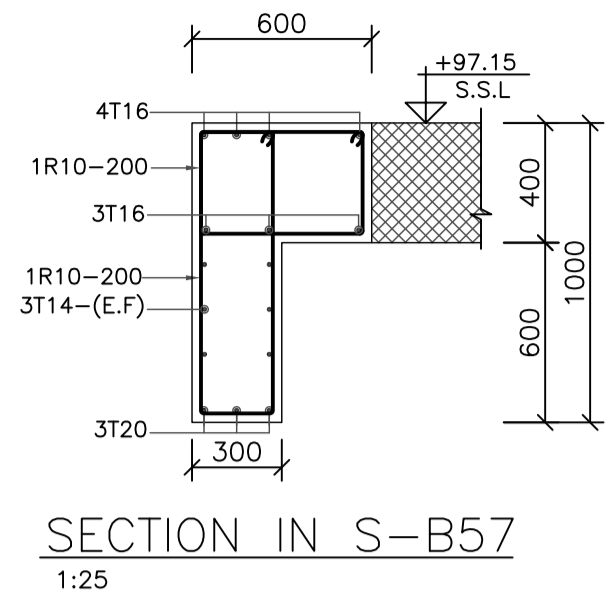
NOTES:



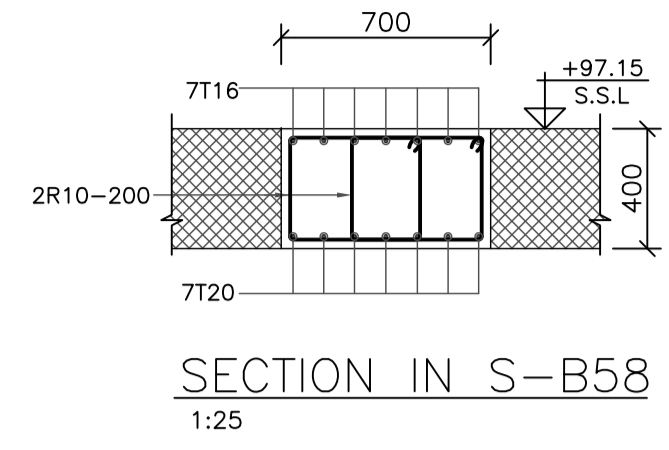
PHASE III
AL KHANSA'A BASIC MIXED SCHOOL (AL BALQA)
PACKAGE 1
SCHOOLS FOR A KNOWLEDGE ECONOMY PROJECT (USAID SKEP)

DRAWING NAME:
SECOND FLOOR BEAMS DETAILS (SHEET 3 OF 4)
PLOT No: 1343.1334
LOCATION: AL KARAMA
BASIN NO: 1 AL BALAD AL SHARQI

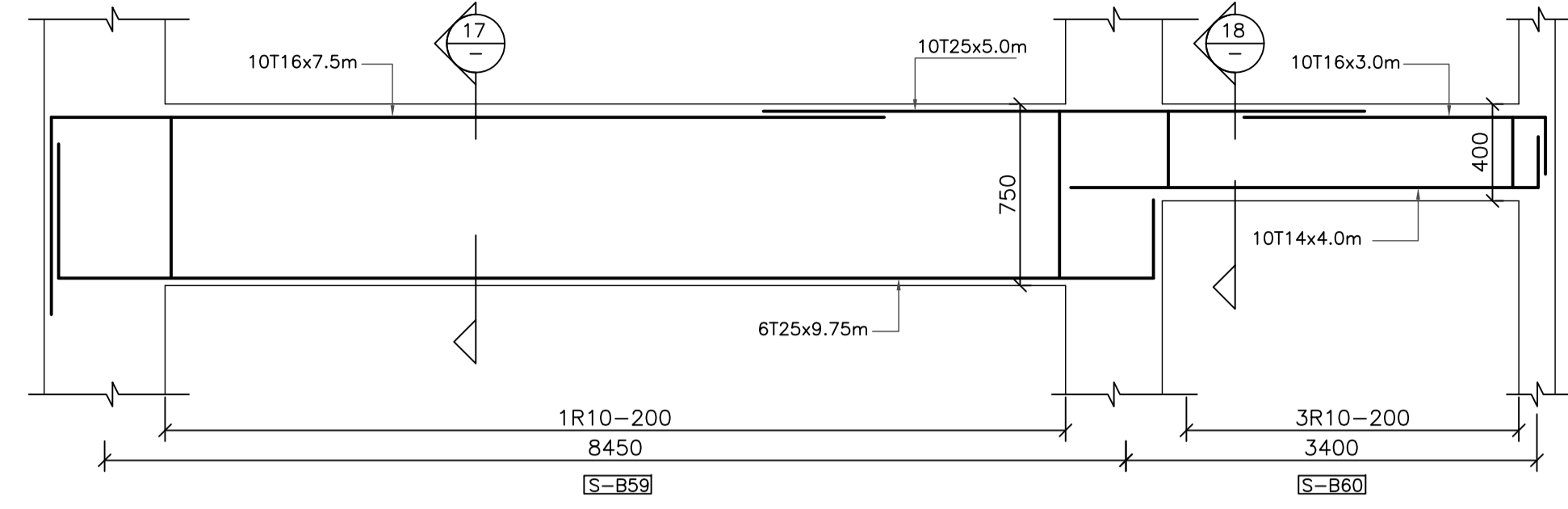
Design: A.A.
SCALE: 1:50, 1:25
DRAWING NUMBER: SKEP 15-SSB506
Drawn: CAD
Date: JUNE 2020
Checked: I.KH.
Approved: W.Z.
Rev.: 0



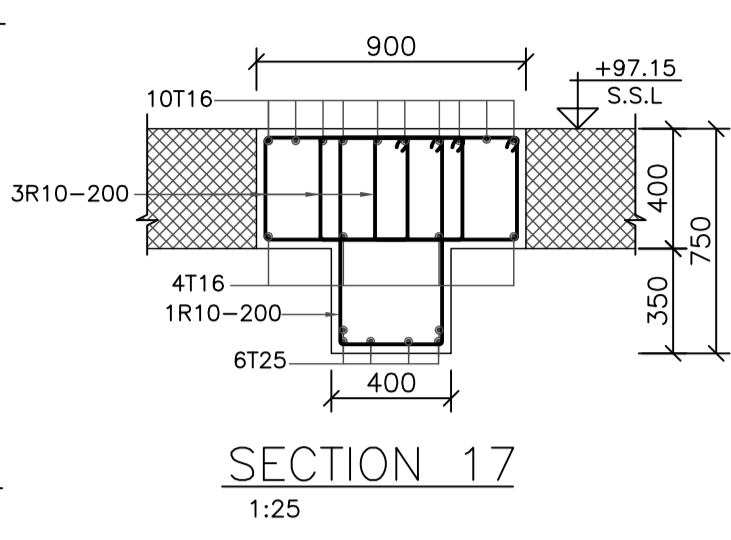
SECTION IN S-B57
1:25



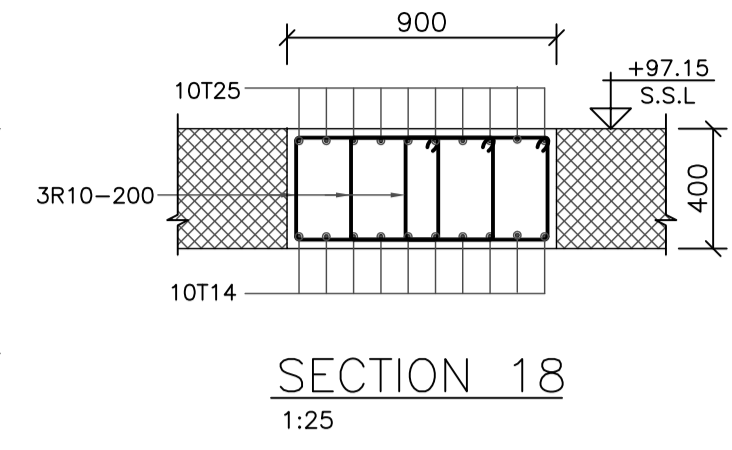
SECTION IN S-B58
1:25



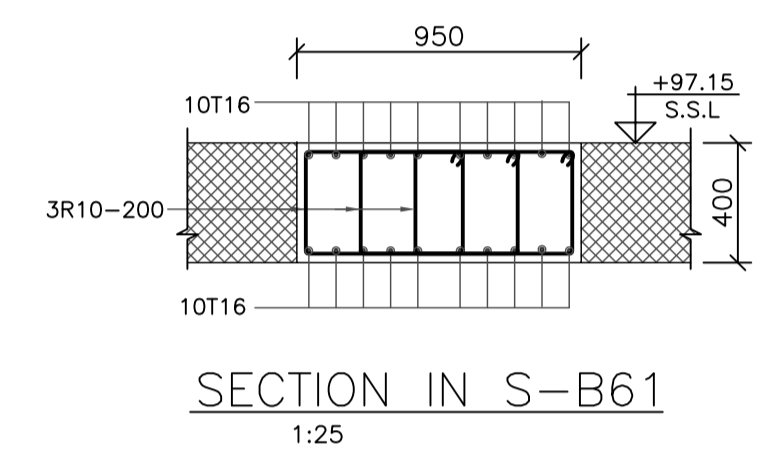
S-B59/60
1:50/1:25



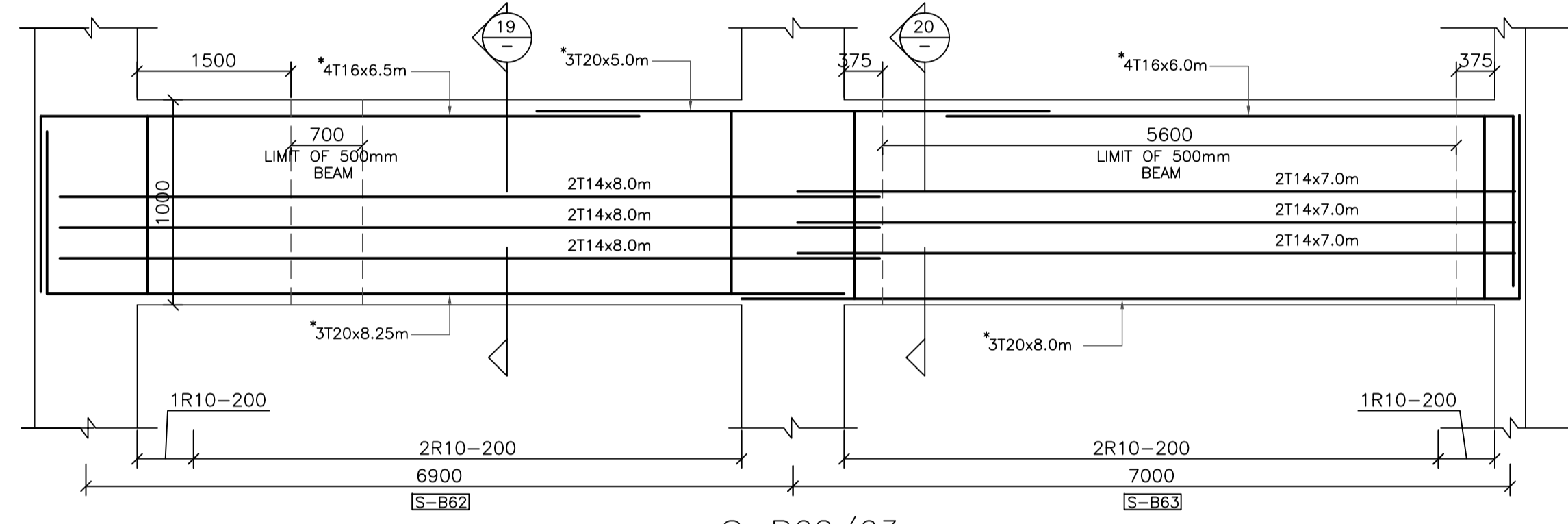
SECTION 17
1:25



SECTION 18
1:25

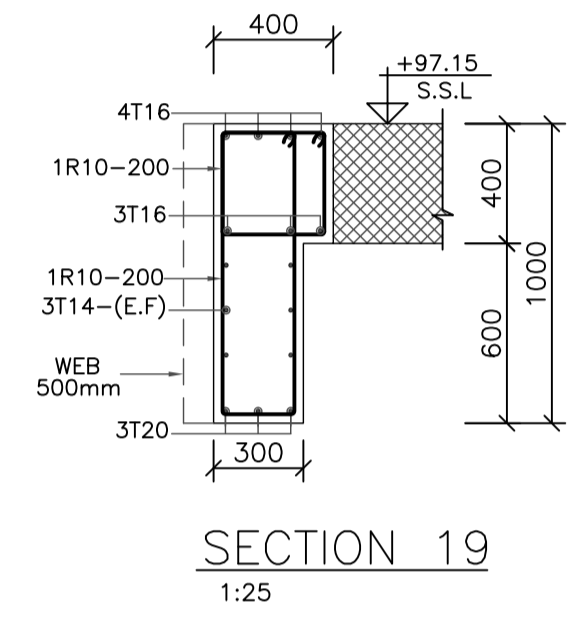


SECTION IN S-B61
1:25

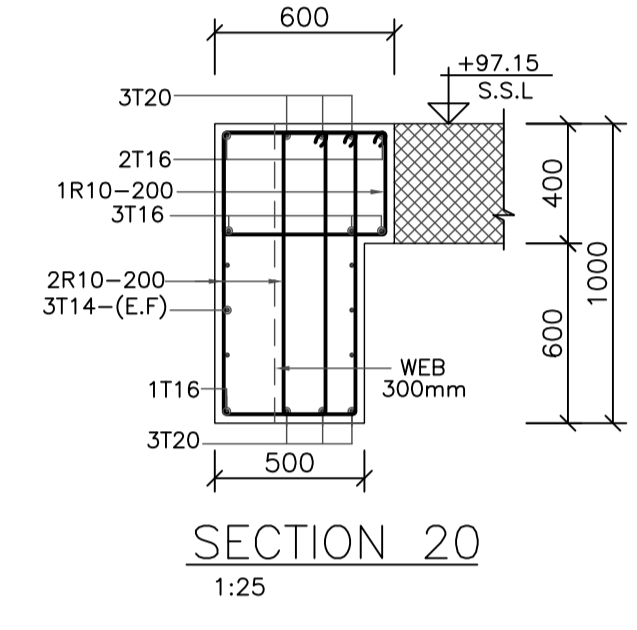


S-B62/63
1:50/1:25

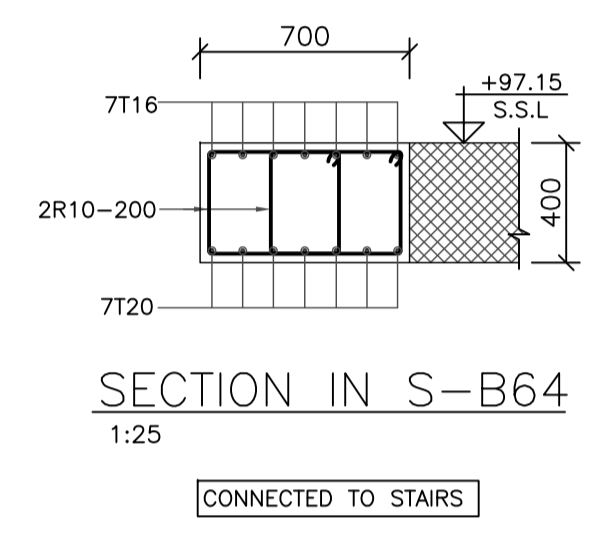
*: ADDITIONAL MAIN BARS FOR THE 500mm BEAM WEBS ARE SHOWN ON SECTIONS ONLY.



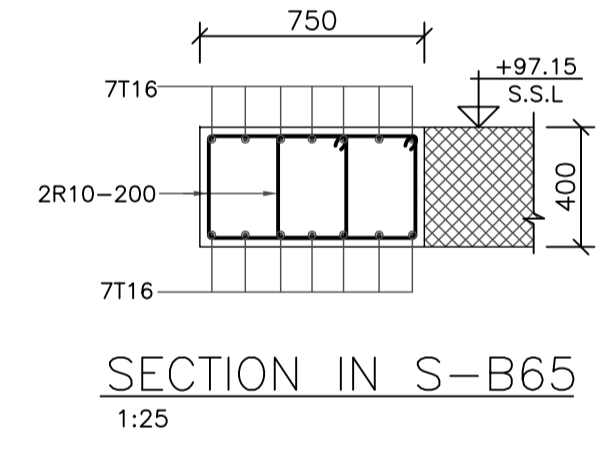
SECTION 19
1:25



SECTION 20
1:25



SECTION IN S-B64
1:25
CONNECTED TO STAIRS



SECTION IN S-B65
1:25

REV.	DATE	REMARKS
0	JUNE 2020	VOL. IV - TENDER DRAWINGS

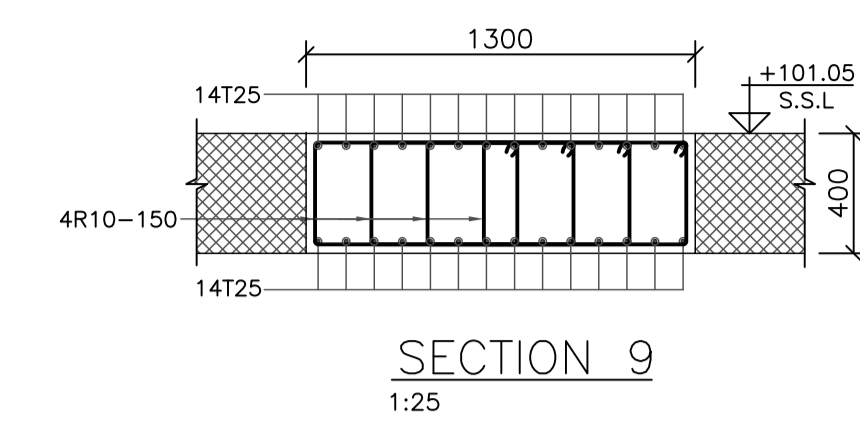
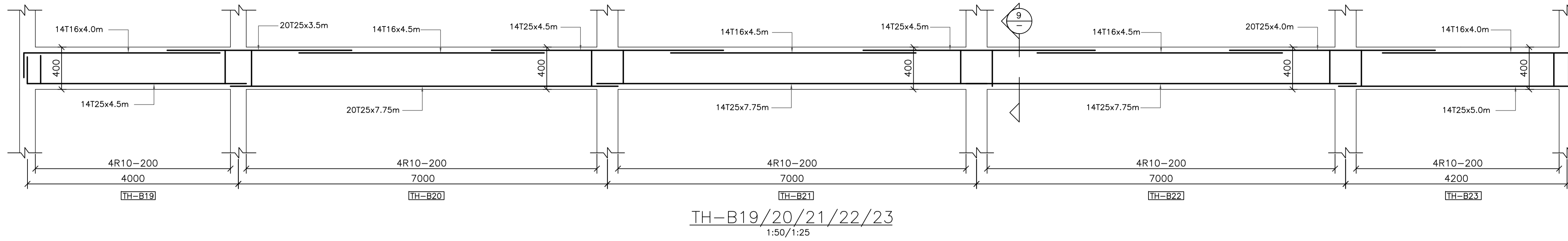
NOTES:



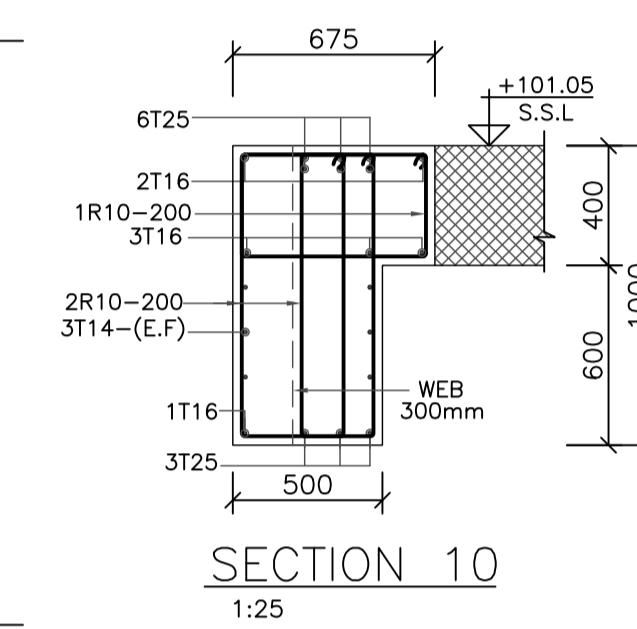
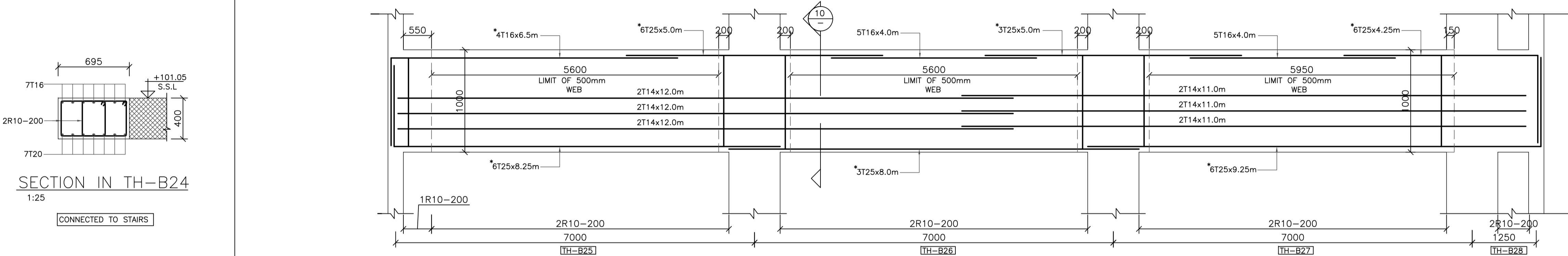
PHASE III	AL KHANSA'A BASIC MIXED SCHOOL (AL BALQA)
PACKAGE 1	SCHOOLS FOR A KNOWLEDGE ECONOMY PROJECT (USAID SKEP)

DRAWING NAME: SECOND FLOOR BEAMS DETAILS (SHEET 4 OF 4)		
PLOT No 1343.1334	LOCATION AL KARAMA	BASIN NO 1 AL BALAD AL SHARQI

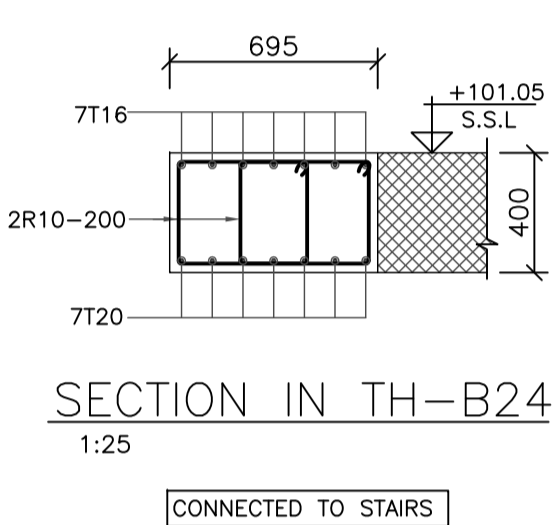
Design: A.A.	Drawn: CAD	Checked: I.K.H.	North: ↑
SCALE: 1:50 1:25	Date: JUNE 2020	Approved: W.Z.	
DRAWING NUMBER: SKEP 15-SSB507			Rev.: 0



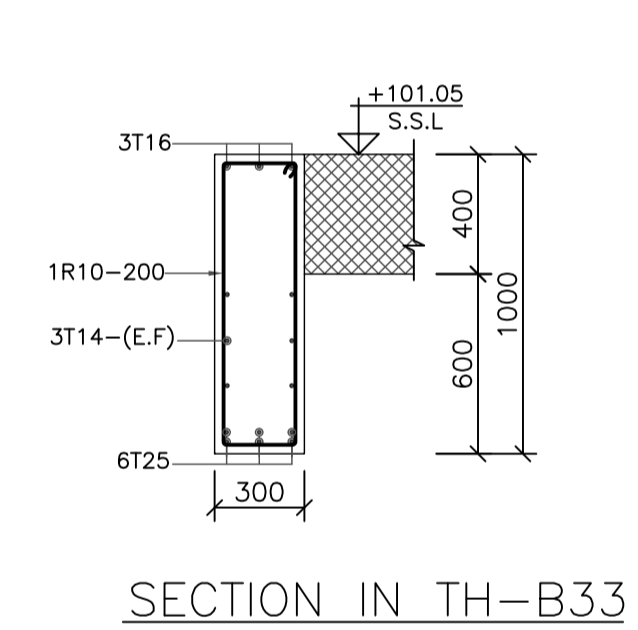
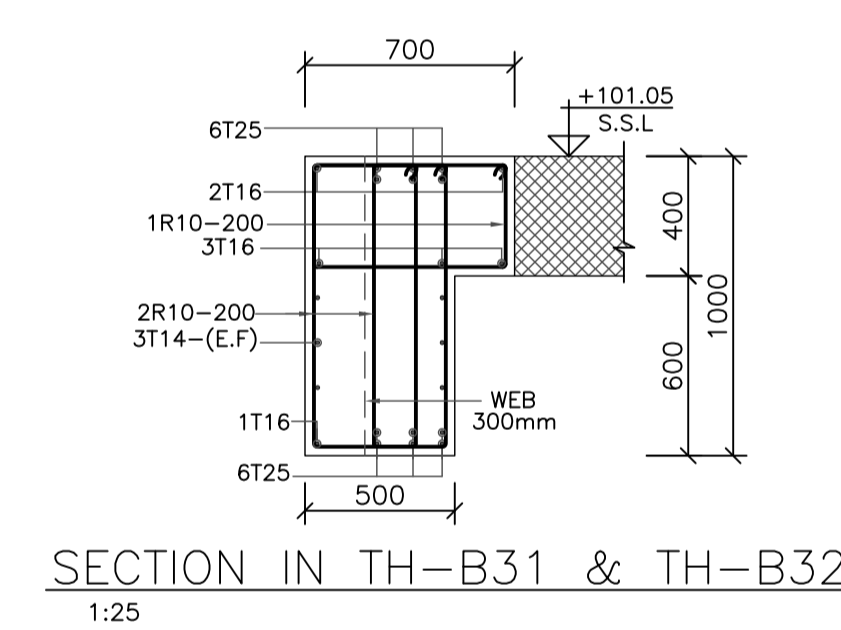
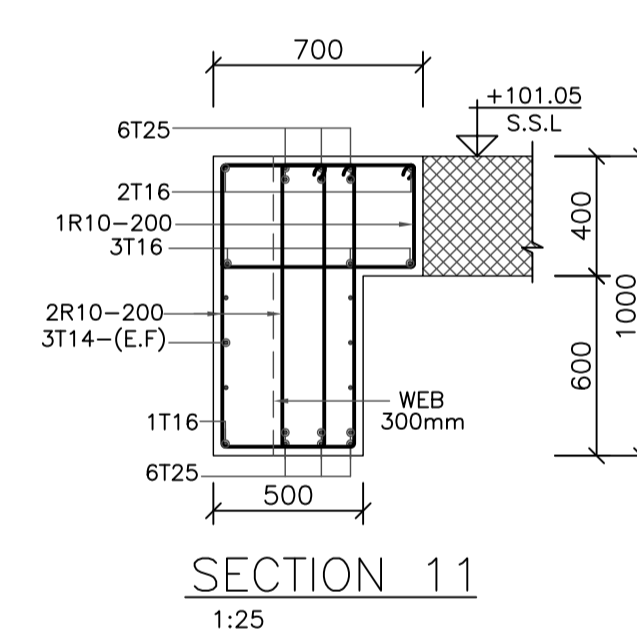
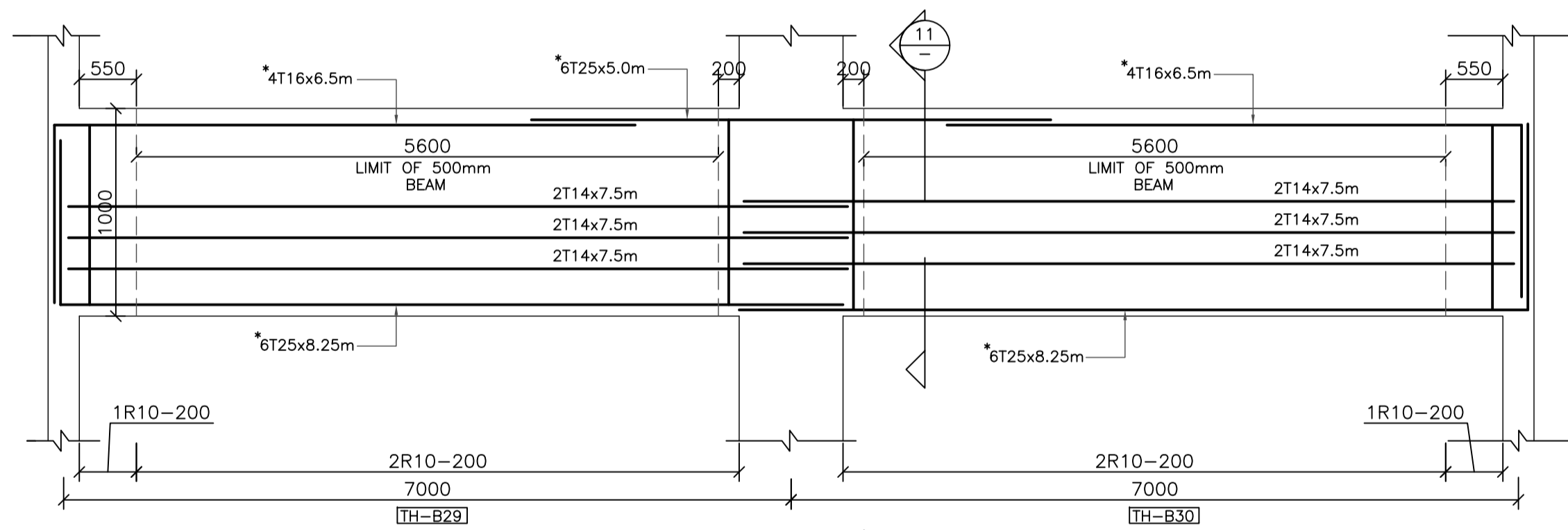
TH-B19/20/21/22/23
1:50/1:25



TH-B25/26/27/28
1:50/1:25



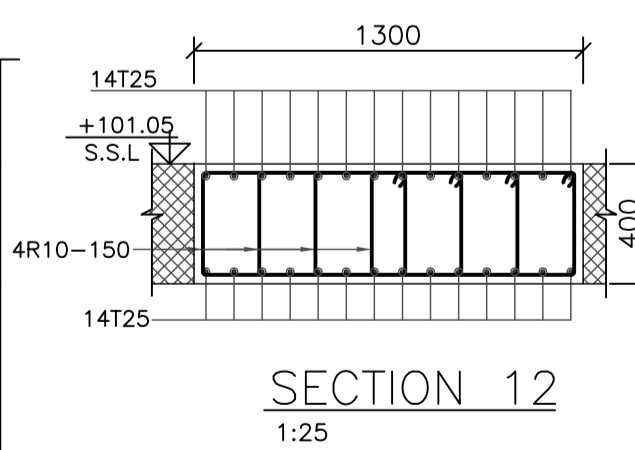
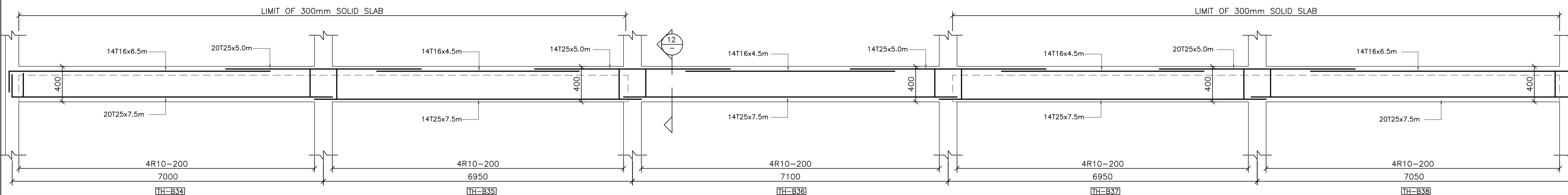
*: ADDITIONAL MAIN BARS FOR THE 500mm BEAM WEBS ARE SHOWN ON SECTIONS ONLY.



COUPLING BEAM NEAR TH-B31 SHOULD HAVE ADDITIONAL REINFORCING BARS (SAME AS TH-B31) WHEN THE WEB OF BEAM IS 500mm.

*: ADDITIONAL MAIN BARS FOR THE 500mm BEAM WEBS ARE SHOWN ON SECTIONS ONLY.

TH-B29/30
1:50/1:25



TH-B34/35/36/37/38
1:50/1:25

REV.	DATE	REMARKS
0	JUNE 2020	VOL. IV - TENDER DRAWINGS

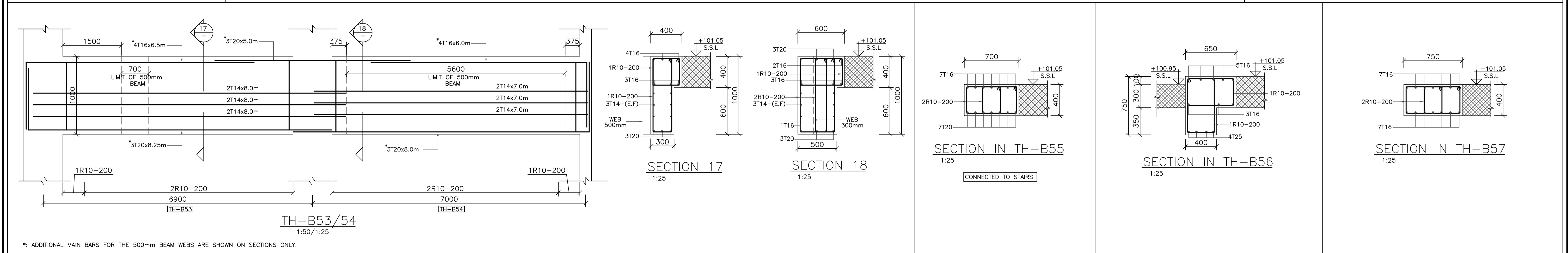
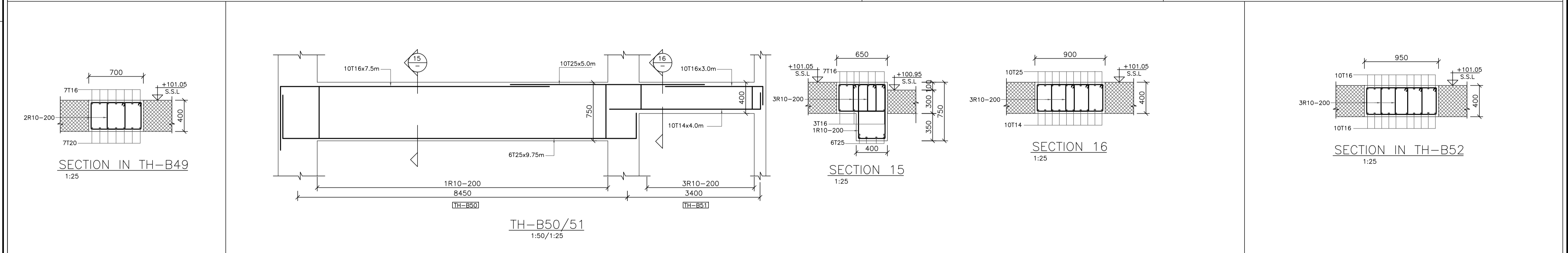
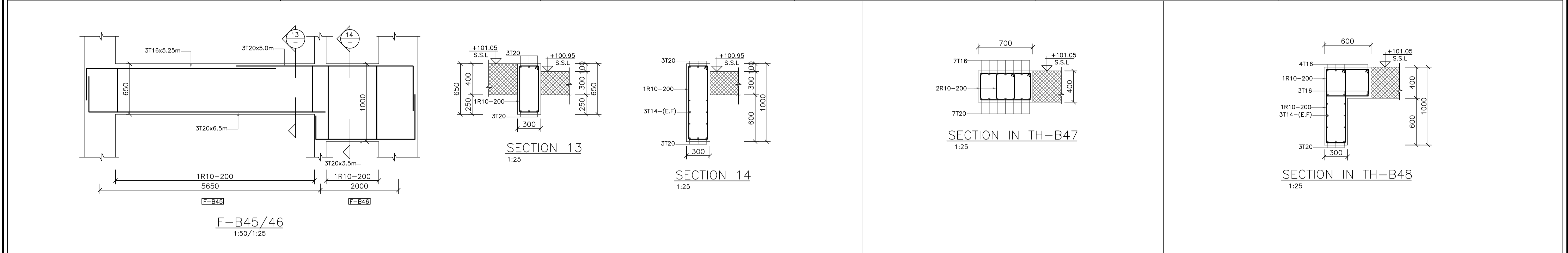
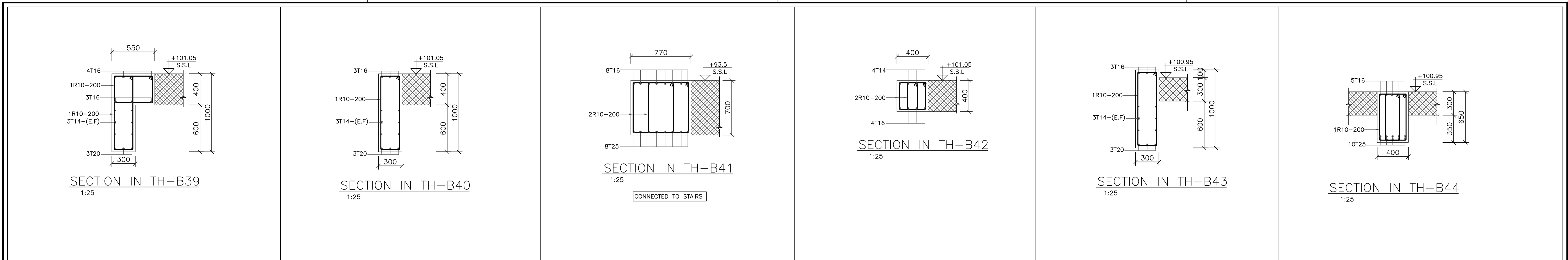
NOTES:



PHASE III	AL KHANSA'A BASIC MIXED SCHOOL (AL BALQA)
PACKAGE 1	SCHOOLS FOR A KNOWLEDGE ECONOMY PROJECT (USAID SKEP)

DRAWING NAME:	
THIRD FLOOR BEAMS DETAILS (SHEET 2 OF 3)	
PLOT No:	LOCATION
1343.1334	AL KARAMA
BASIN NO:	1 AL BALAD AL SHARQI

Design:	A.A.	Drawn:	CAD	Checked:	I.K.H.	North:	
SCALE:	1:50 1:25	Date:	JUNE 2020	Approved:	W.Z.	Rev.:	
DRAWING NUMBER:						SKEP 15-SSB509	
						0	



*: ADDITIONAL MAIN BARS FOR THE 500mm BEAM WEBS ARE SHOWN ON SECTIONS ONLY.

REV.	DATE	REMARKS
0	JUNE 2020	VOL. IV - TENDER DRAWINGS

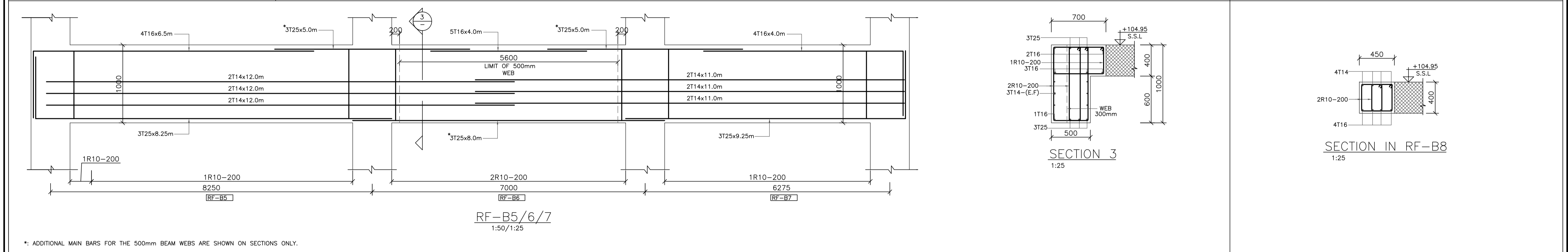
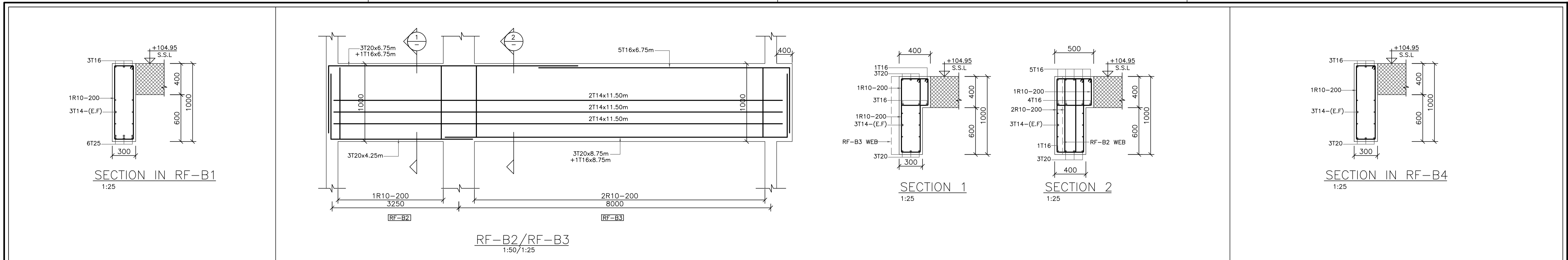
NOTES:



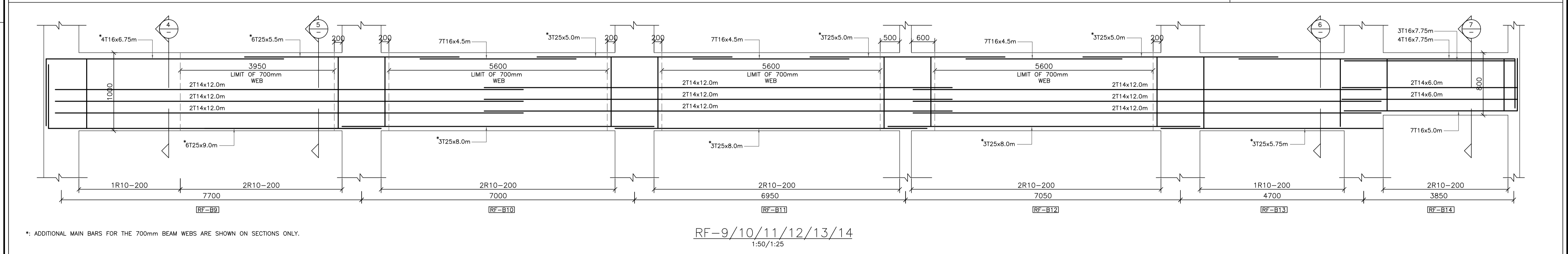
PHASE III
AL KHANSA'A BASIC MIXED SCHOOL (AL BALQA)
PACKAGE 1
SCHOOLS FOR A KNOWLEDGE ECONOMY PROJECT (USAID SKEP)

DRAWING NAME:
THIRD FLOOR BEAMS DETAILS (SHEET 3 OF 3)
PLOT No: 1343.1334
LOCATION: AL KARAMA
BASIN NO: 1 AL BALAD AL SHARQI

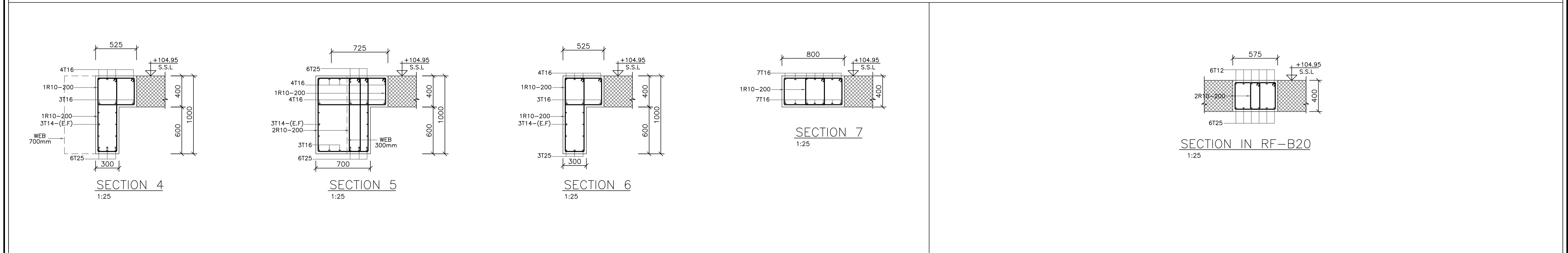
Design: A.A.
SCALE: 1:50
1:25
DRAWING NUMBER: SKEP 15-SSB510
Drawn: CAD
Date: JUNE 2020
Checked: I.KH.
Approved: W.Z.
Rev.: 0



*: ADDITIONAL MAIN BARS FOR THE 500mm BEAM WEBS ARE SHOWN ON SECTIONS ONLY.



*: ADDITIONAL MAIN BARS FOR THE 700mm BEAM WEBS ARE SHOWN ON SECTIONS ONLY.



REV.	DATE	REMARKS
0	JUNE 2020	VOL. IV - TENDER DRAWINGS

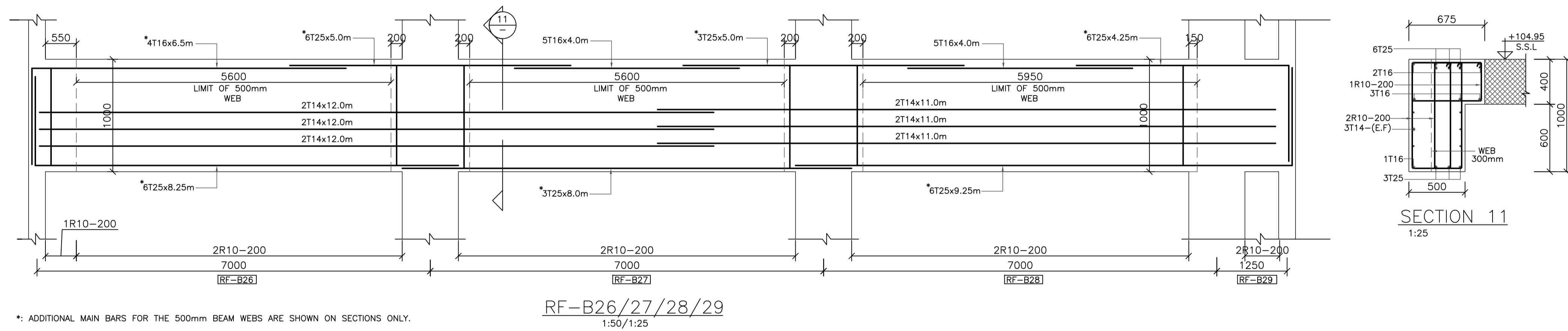
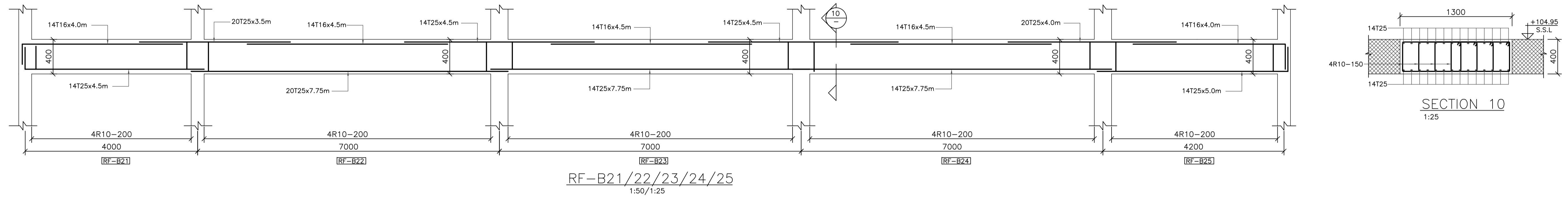
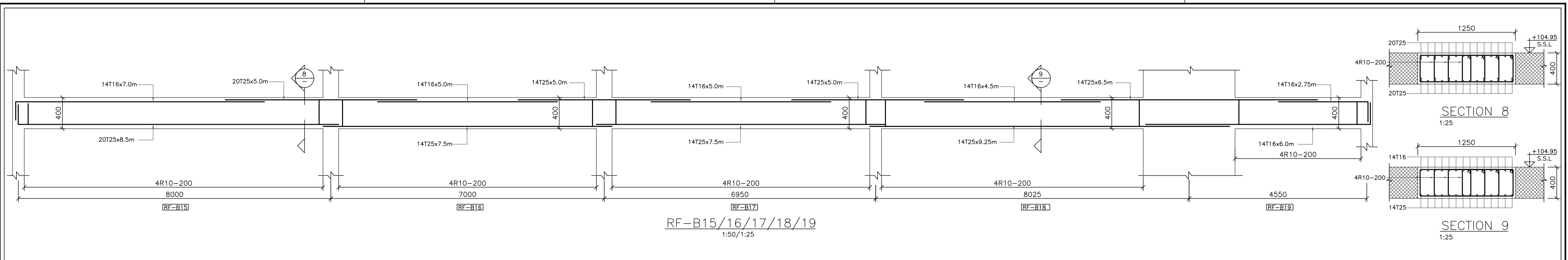
NOTES:



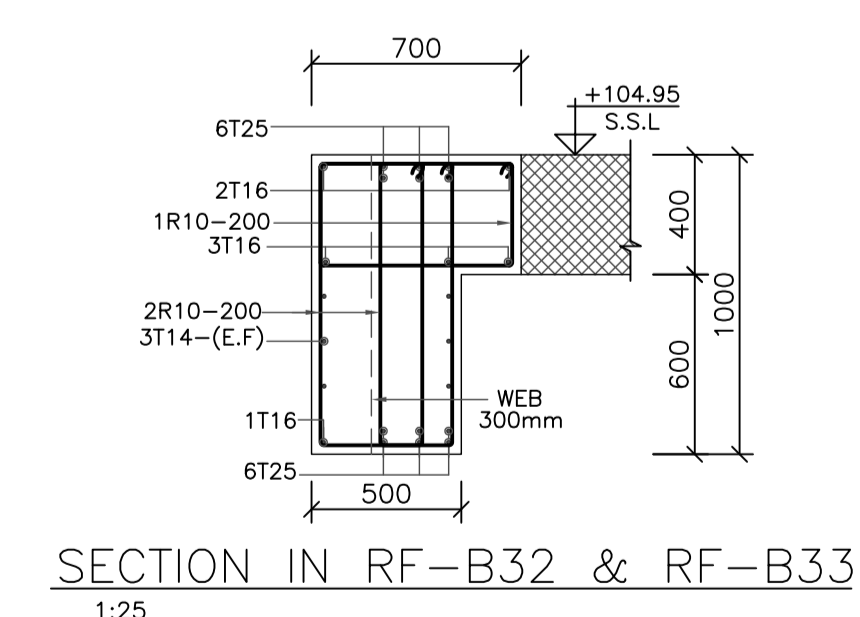
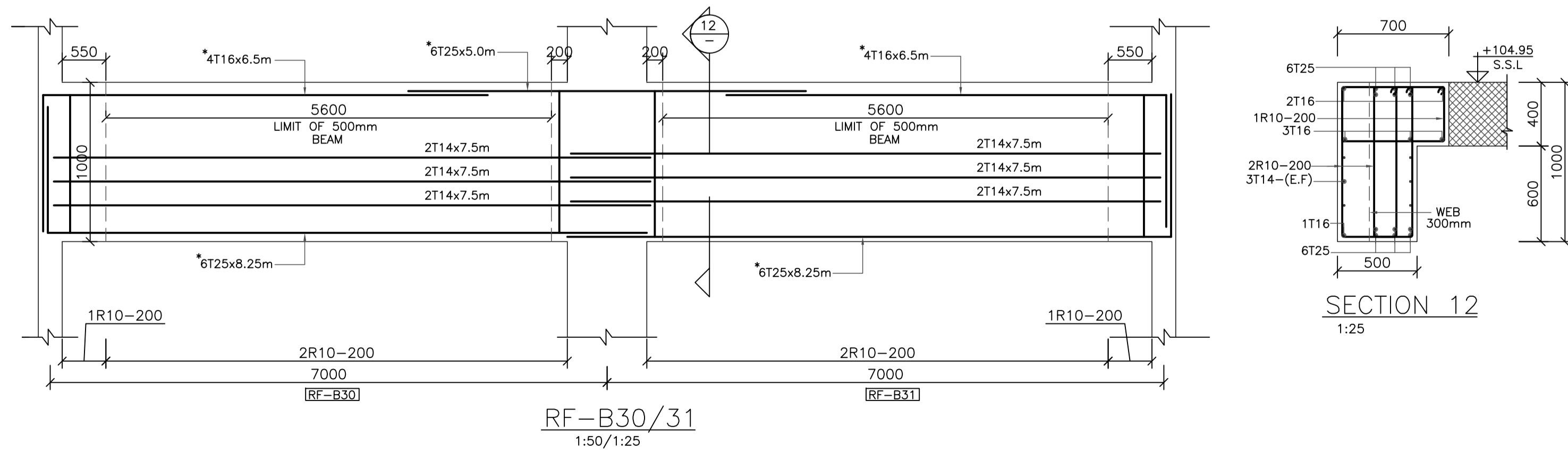
PHASE III
PACKAGE 1
AL KHANSA'A BASIC MIXED SCHOOL (AL BALQA)
SCHOOLS FOR A KNOWLEDGE ECONOMY PROJECT (USAID SKEP)

DRAWING NAME:
ROOF FLOORS BEAMS DETAILS (SHEET 1 OF 4)
PLOT No: 1343.1334
LOCATION: AL KARAMA
BASIN NO: 1 AL BALAD AL SHARQI

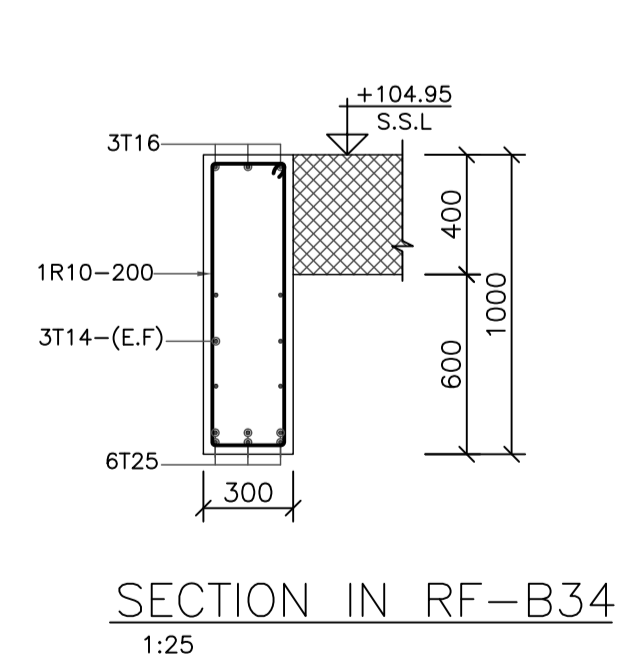
Design: A.A.
Scale: 1:50, 1:25
Drawing Number: SKEP 15-SSB511
Checked: I.KH.
Approved: W.Z.
Rev.: 0



*: ADDITIONAL MAIN BARS FOR THE 500mm BEAM WEBS ARE SHOWN ON SECTIONS ONLY.



COUPLING BEAM NEAR RF-B32 SHOULD HAVE ADDITIONAL REINFORCING BARS (SAME AS RF-B32) WHEN THE WEB OF C.B IS 500mm.



REV.	DATE	REMARKS
0	JUNE 2020	VOL. IV - TENDER DRAWINGS

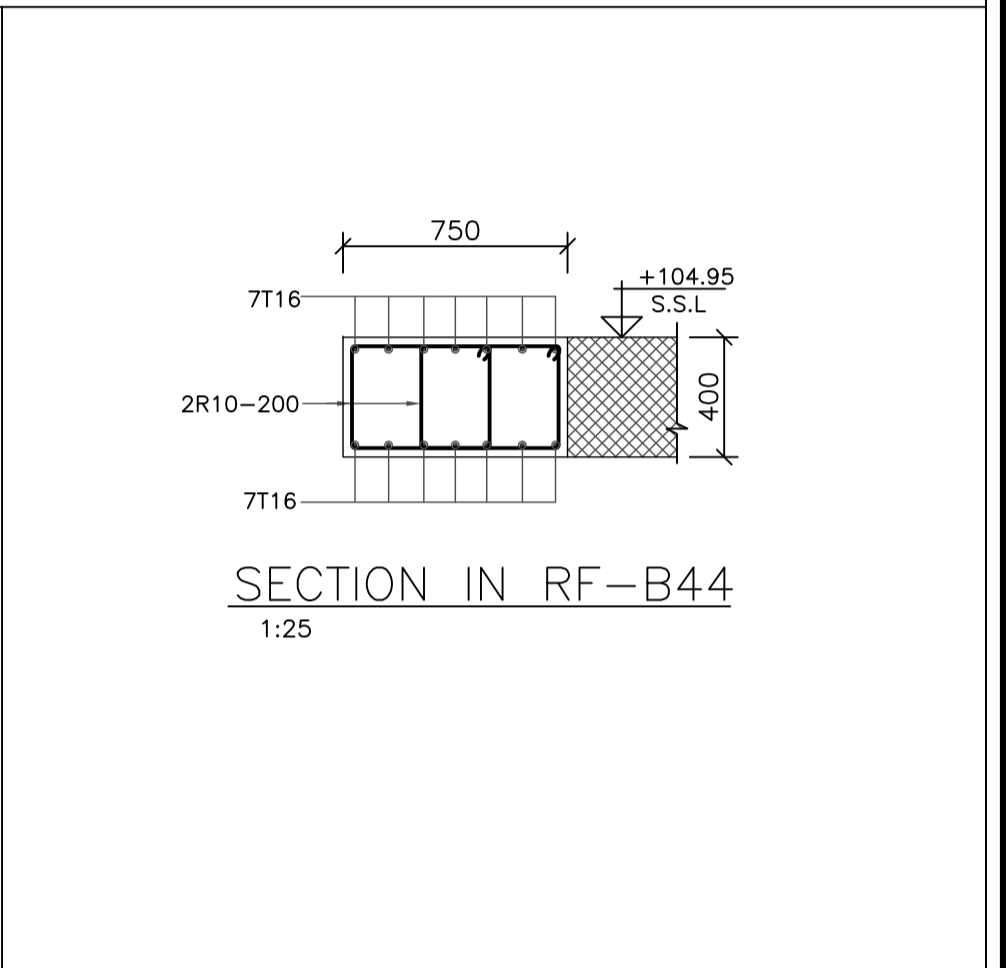
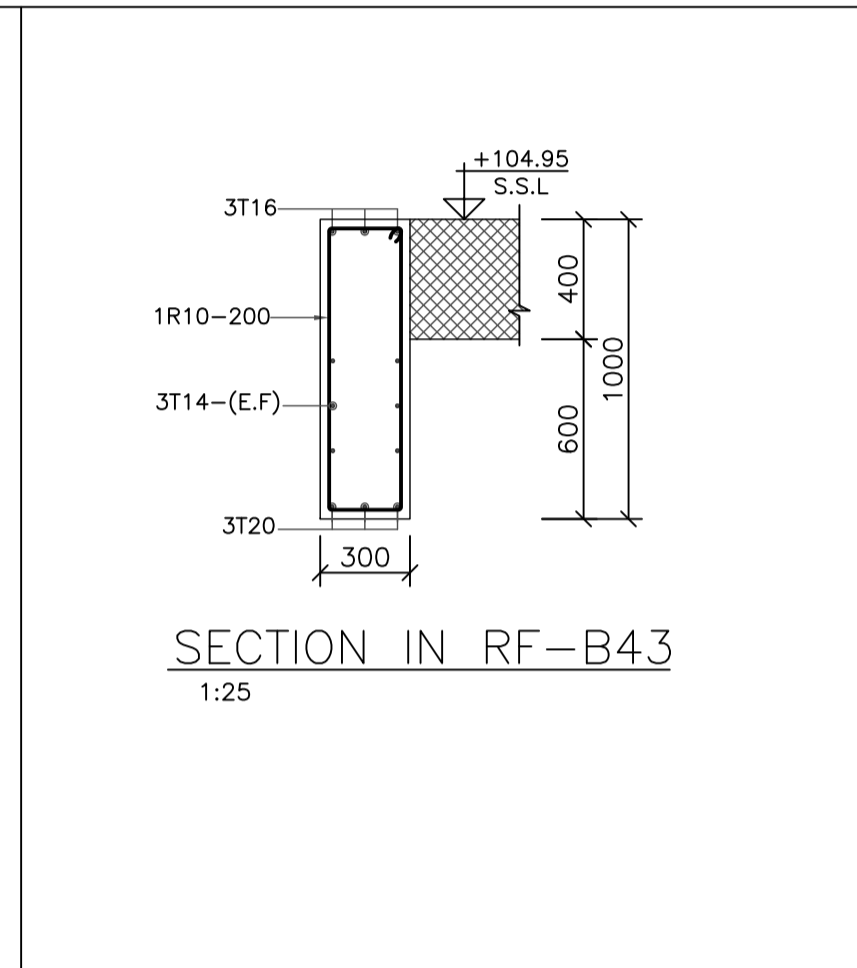
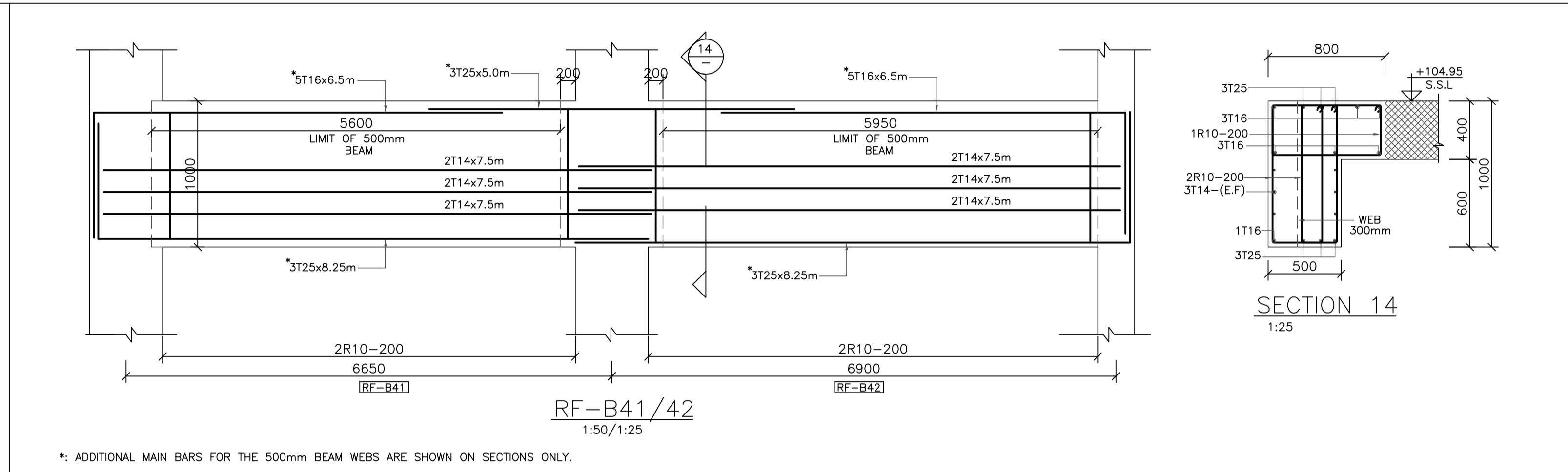
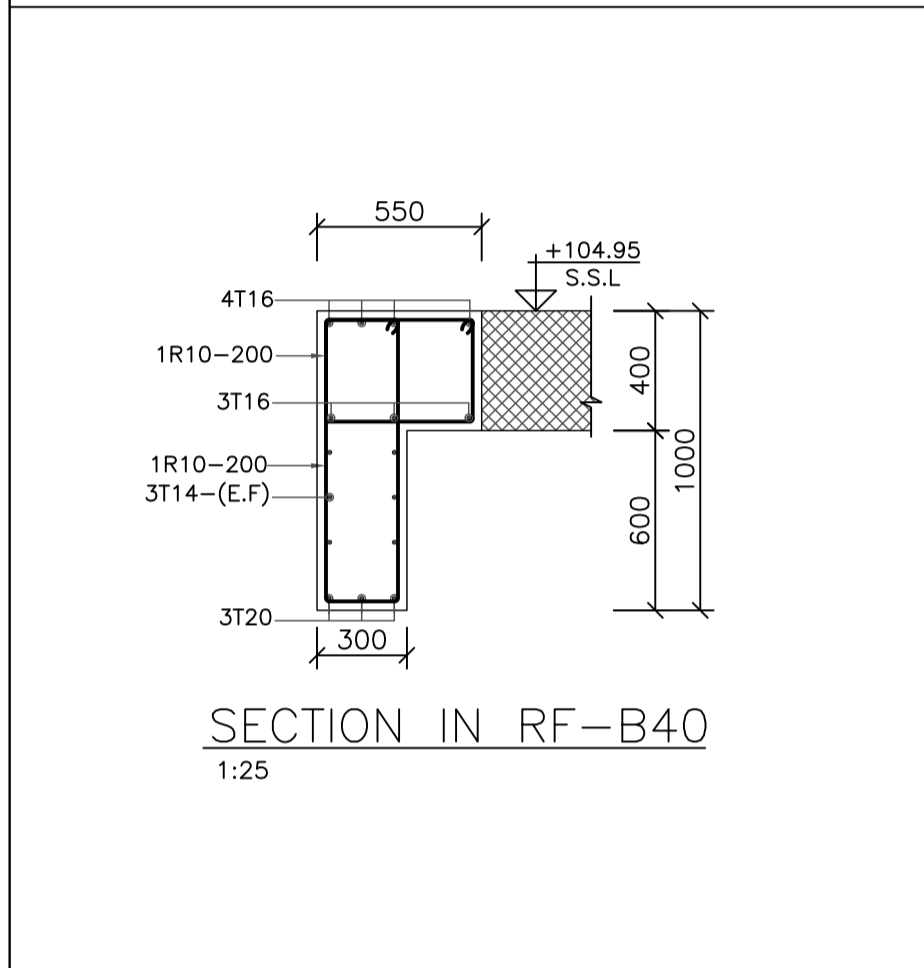
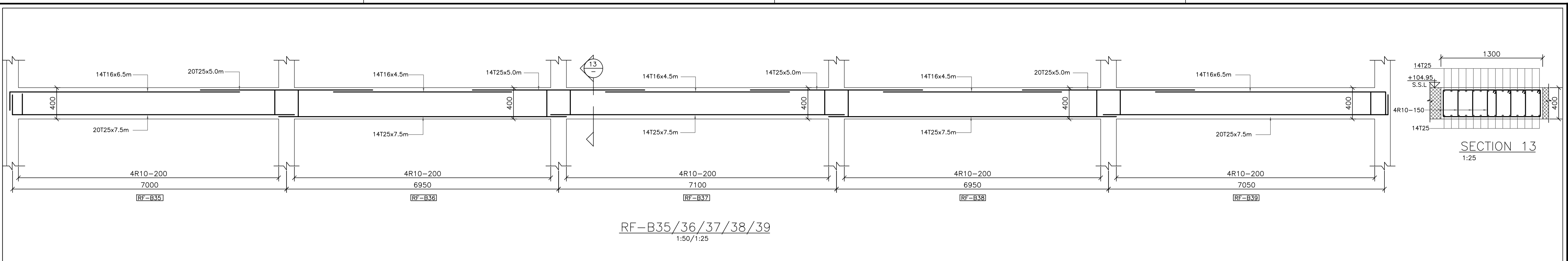
NOTES:



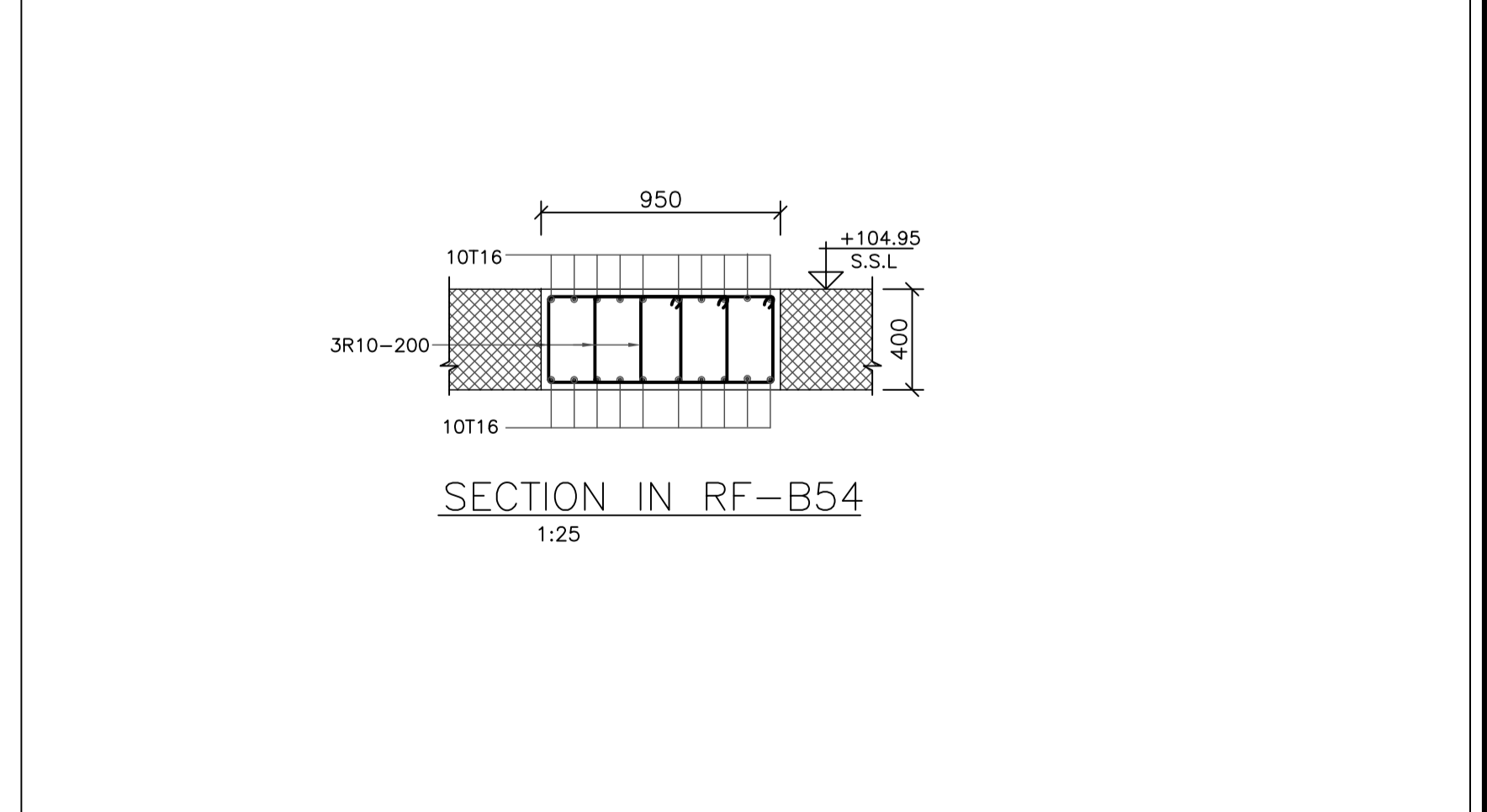
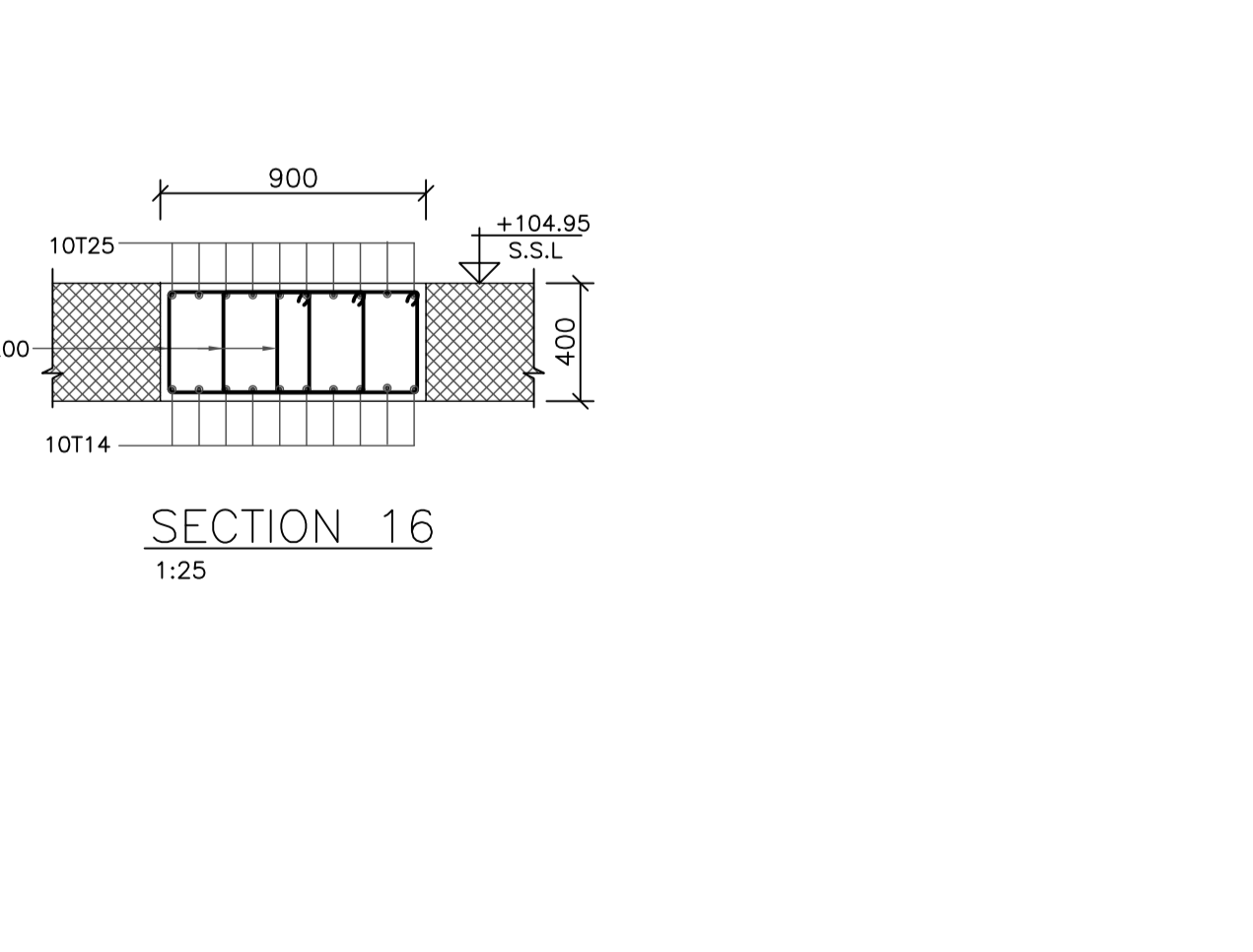
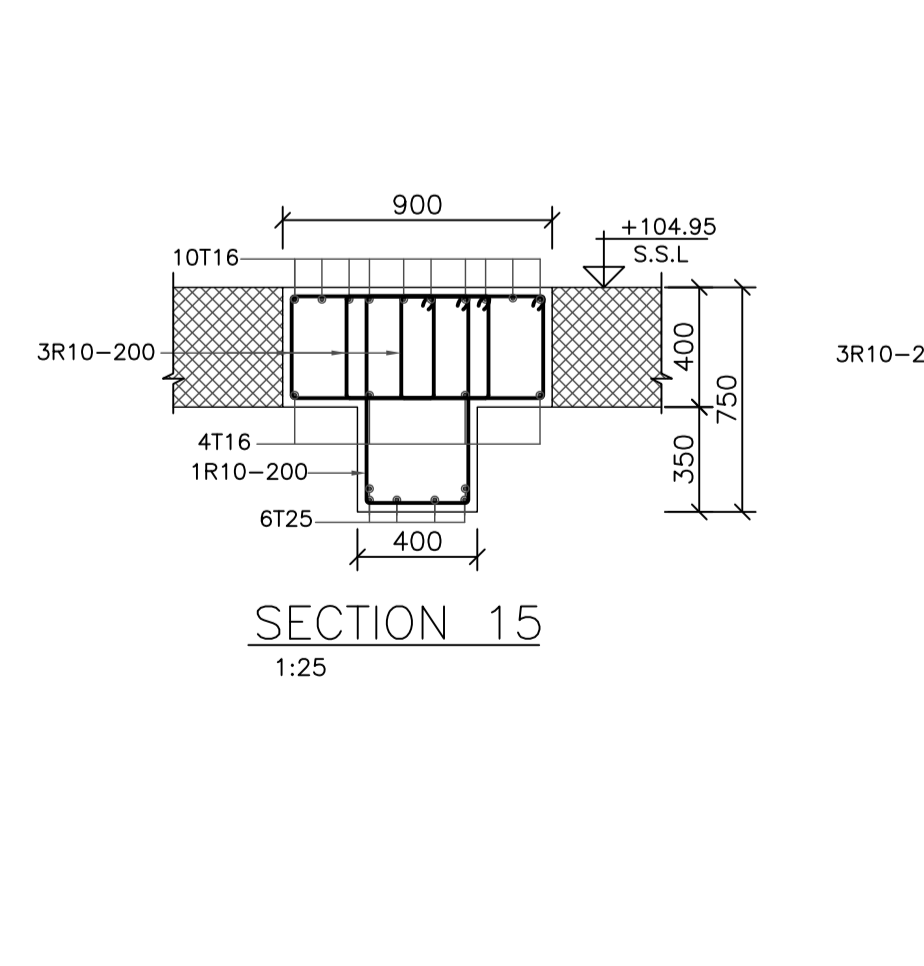
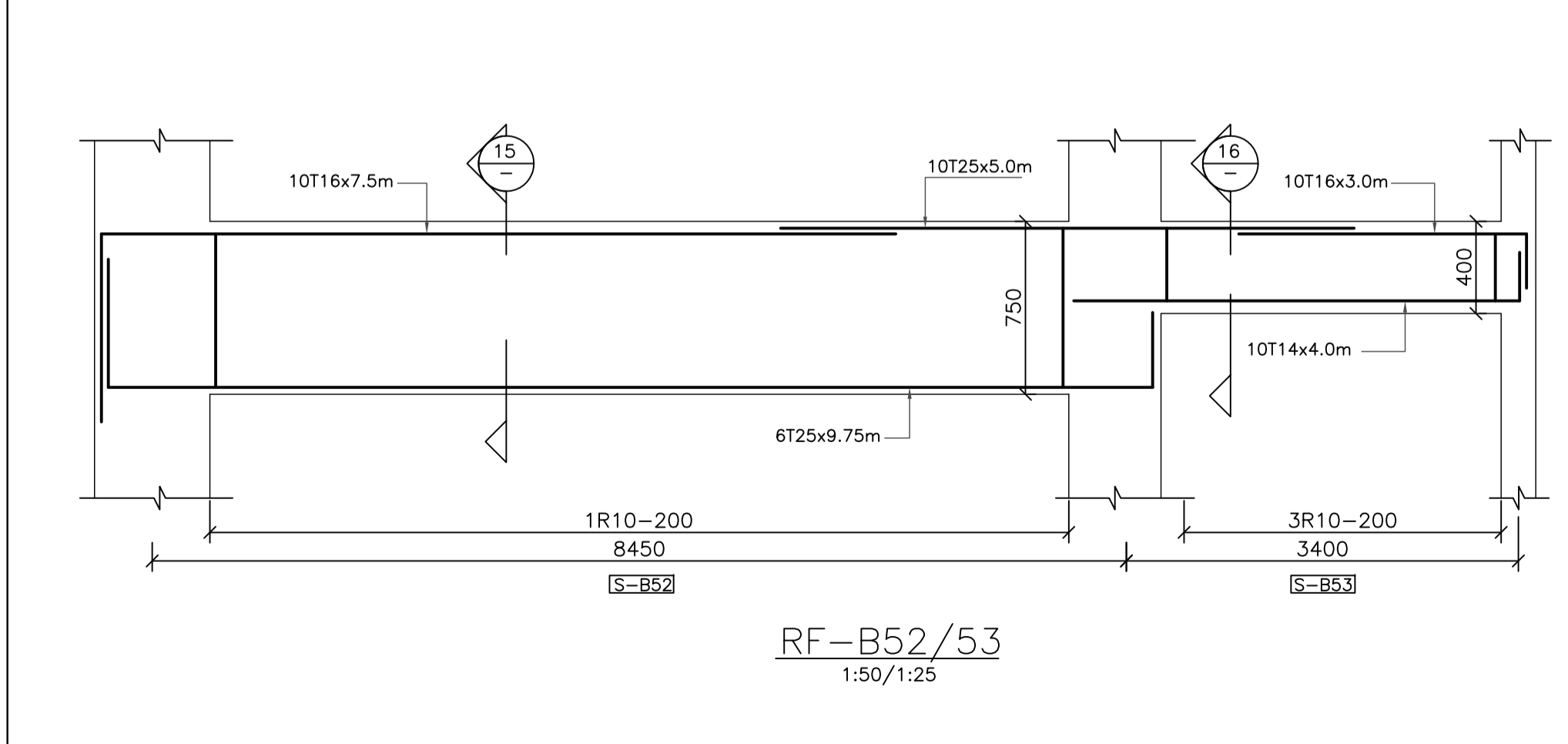
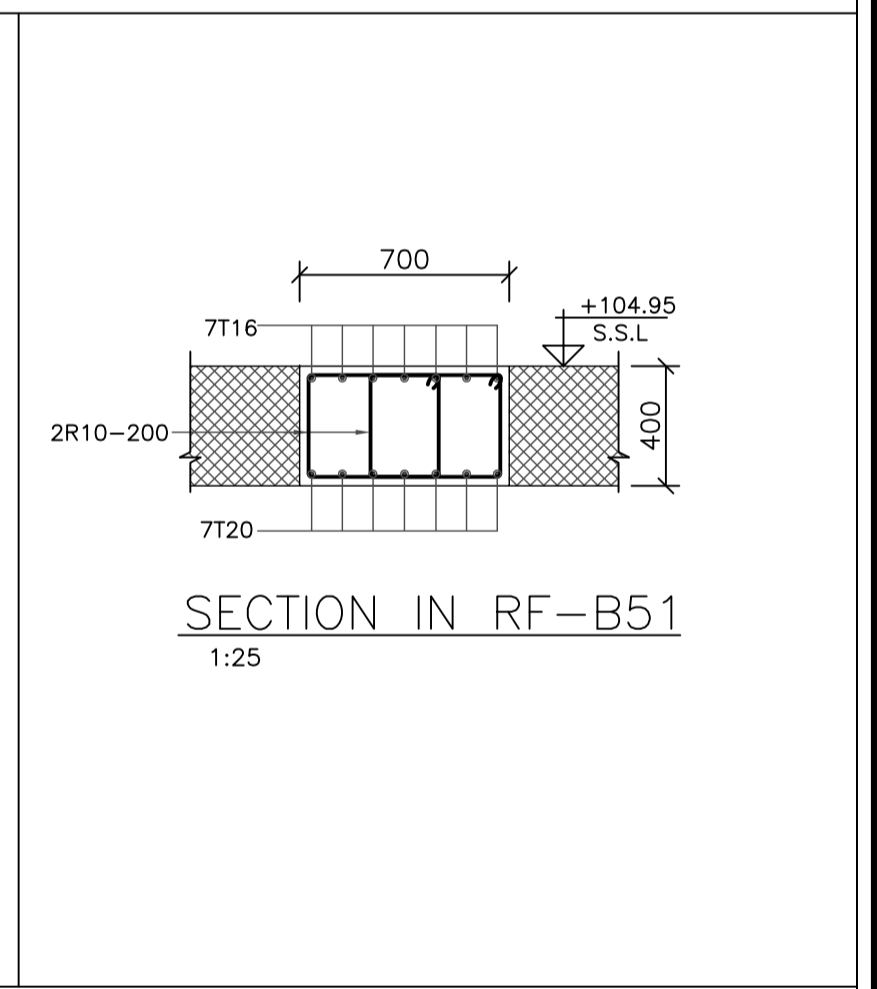
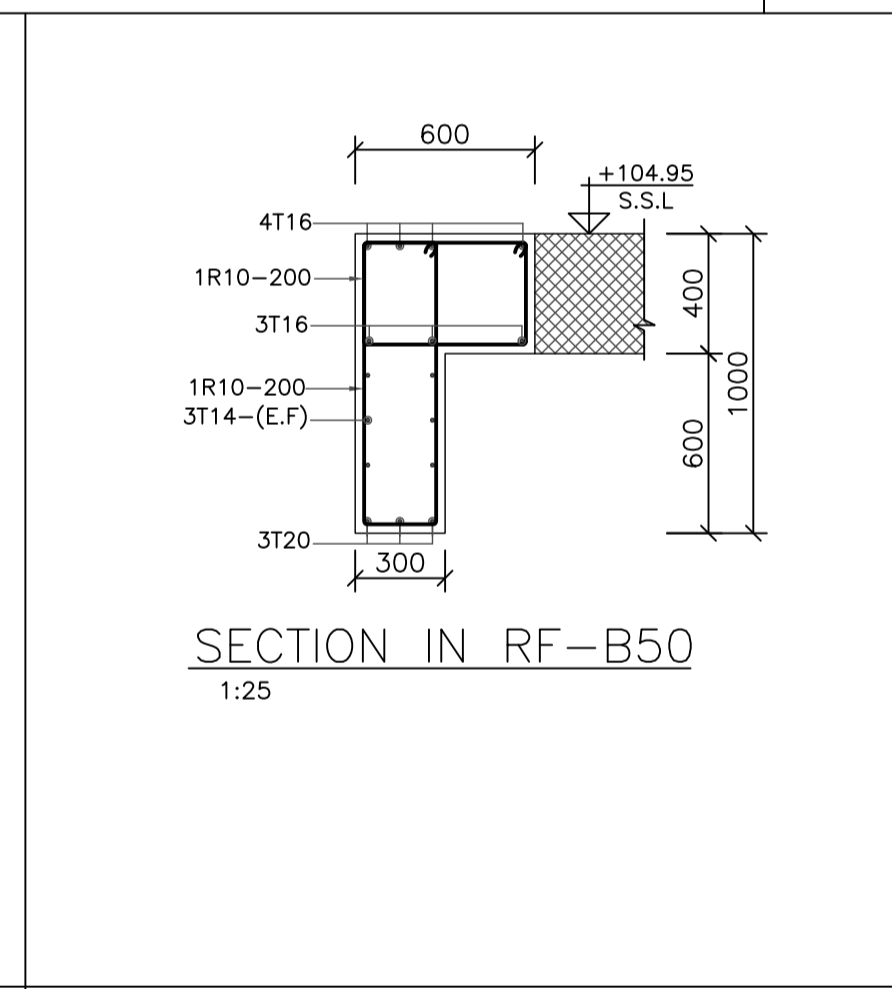
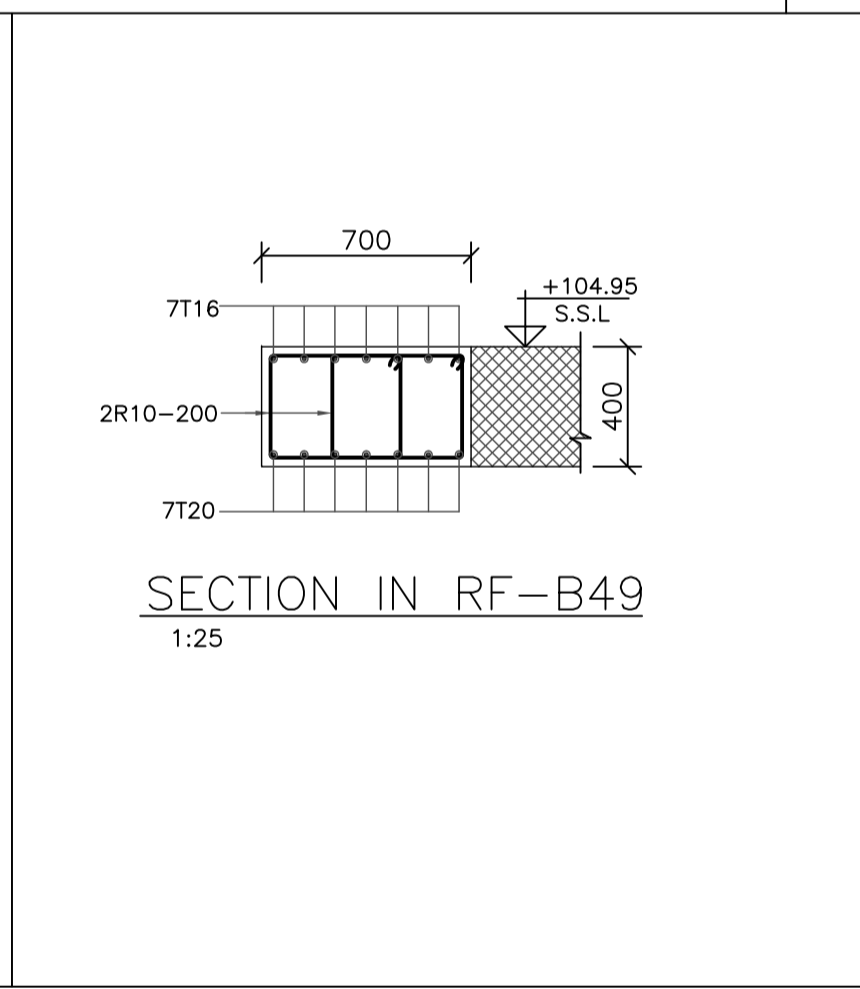
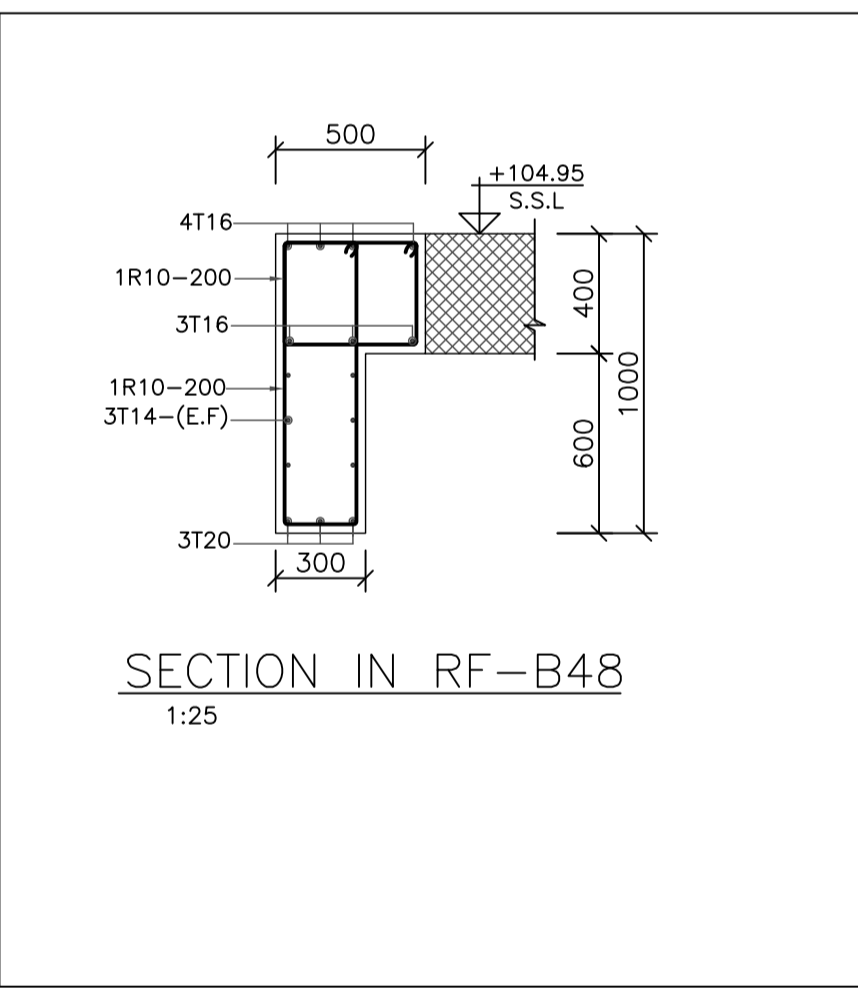
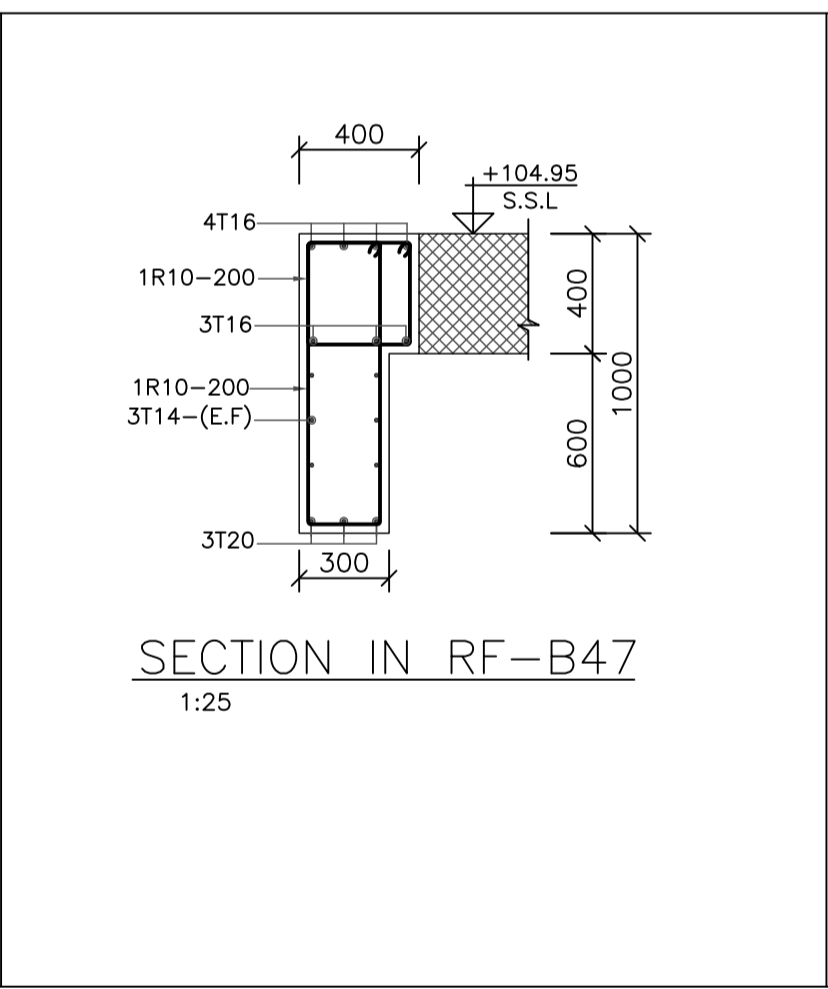
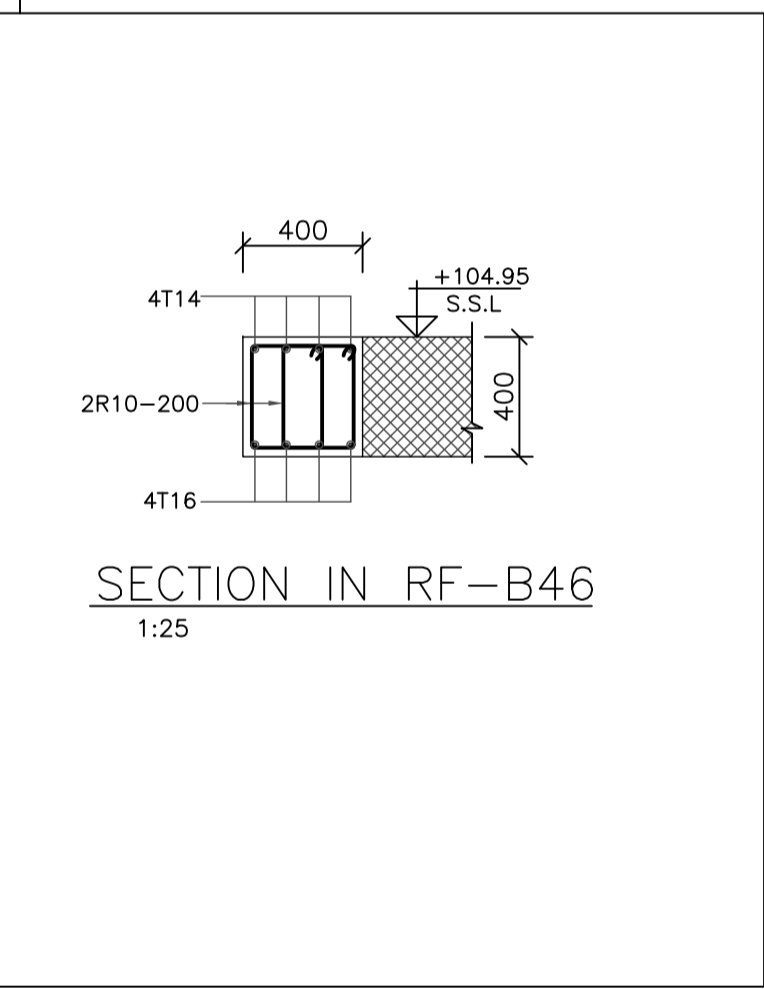
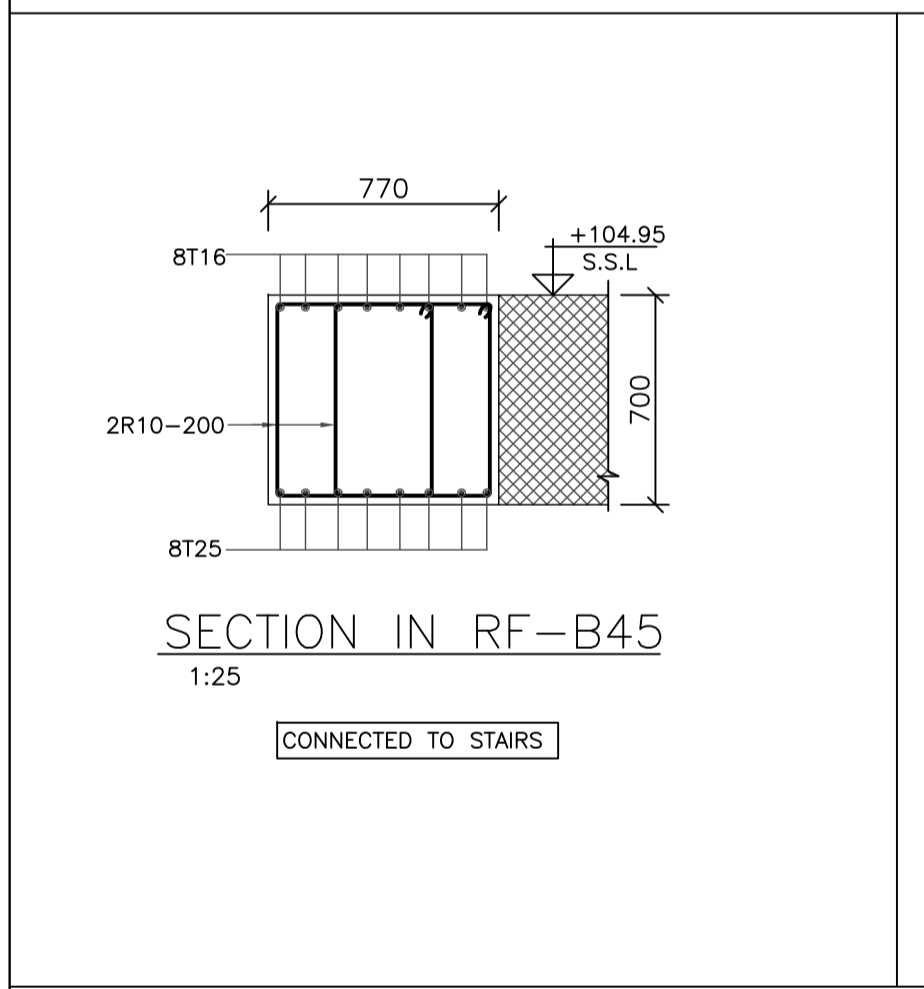
PHASE III
AL KHANSA'A BASIC MIXED SCHOOL (AL BALQA)
PACKAGE 1
SCHOOLS FOR A KNOWLEDGE ECONOMY PROJECT (USAID SKEP)

DRAWING NAME:
ROOF FLOORS BEAMS DETAILS
(SHEET 2 OF 4)
PLOT No: 1343.1334
LOCATION: AL KARAMA
BASIN NO: 1 AL BALAD AL SHARQI

Design: A.A.
Drawn: CAD
Checked: I.KH.
Date: JUNE 2020
Approved: W.Z.
DRAWING NUMBER: SKEP 15-SSB512
Rev: 0



*: ADDITIONAL MAIN BARS FOR THE 500mm BEAM WEBS ARE SHOWN ON SECTIONS ONLY.



REV.	DATE	REMARKS
0	JUNE 2020	VOL. IV - TENDER DRAWINGS

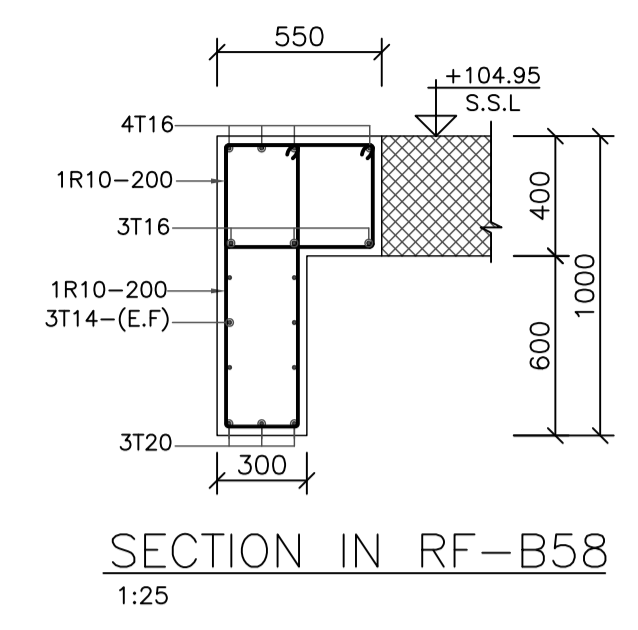
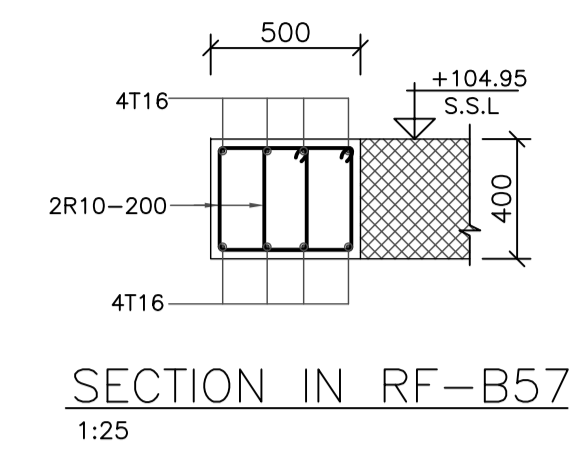
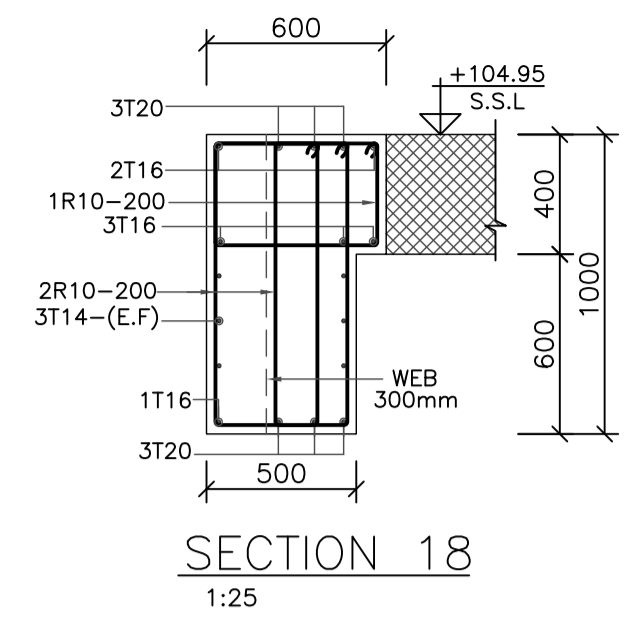
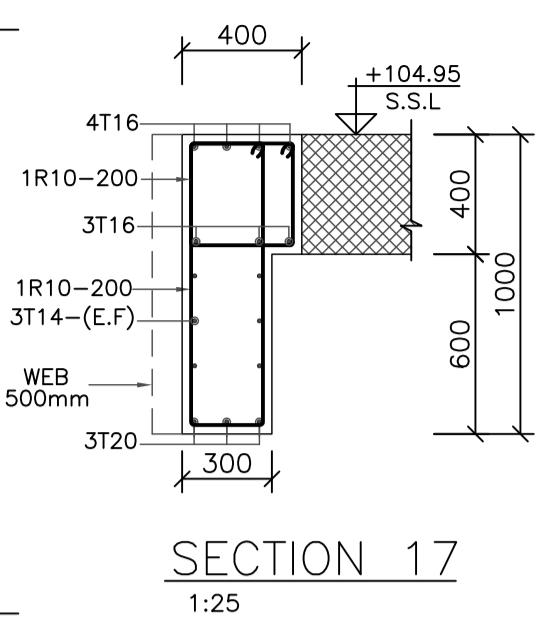
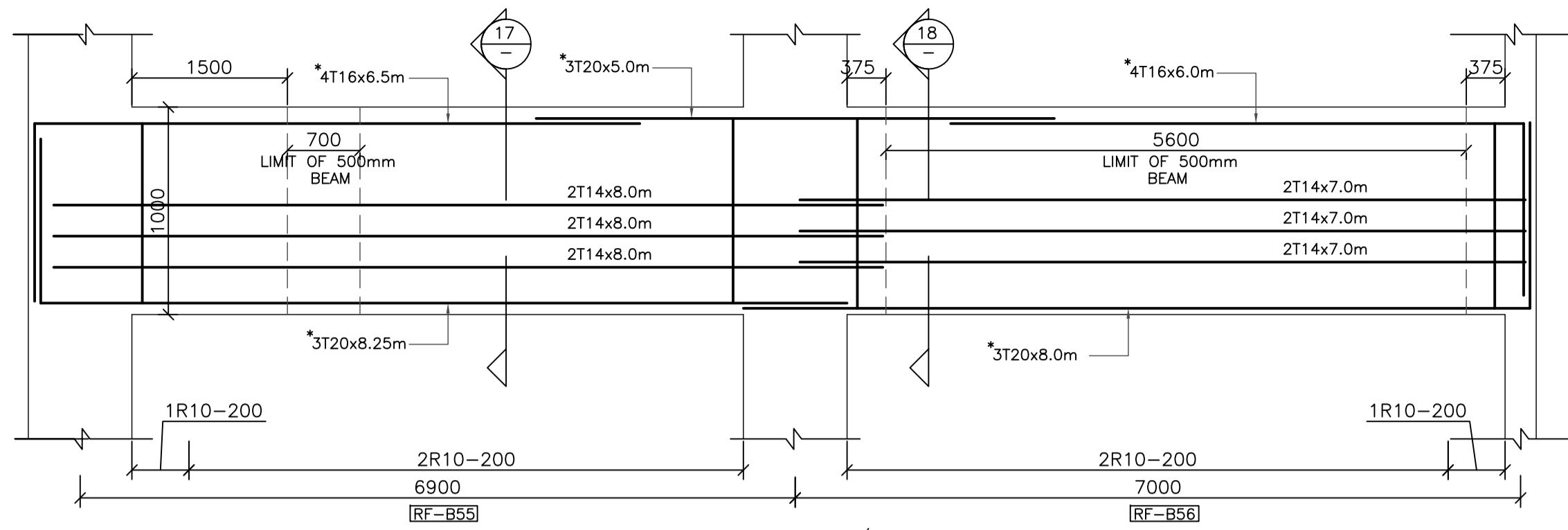
NOTES:



PHASE III
AL KHANSA'A BASIC MIXED SCHOOL (AL BALQA)
PACKAGE 1
SCHOOLS FOR A KNOWLEDGE ECONOMY PROJECT (USAID SKEP)

DRAWING NAME:
ROOF FLOORS BEAMS DETAILS
(SHEET 3 OF 4)
PLOT No: 1343.1334
LOCATION: AL KARAMA
BASIN NO: 1 AL BALAD AL SHARQI

Design: A.A.
SCALE: 1:50
1:25
DRAWING NUMBER: **SKEP 15-SSB513**
Rev.: 0



RF-B55/56
1:50/1:25

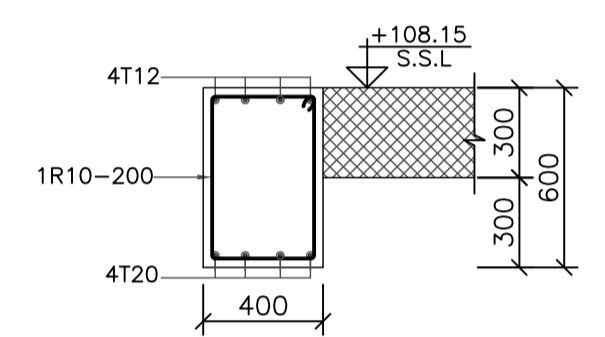
SECTION 17
1:25

SECTION 18
1:25

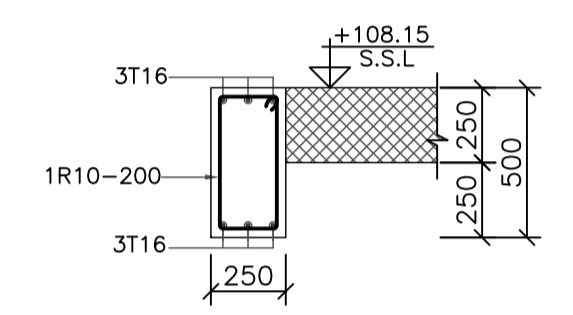
SECTION IN RF-B57
1:25

SECTION IN RF-B58
1:25

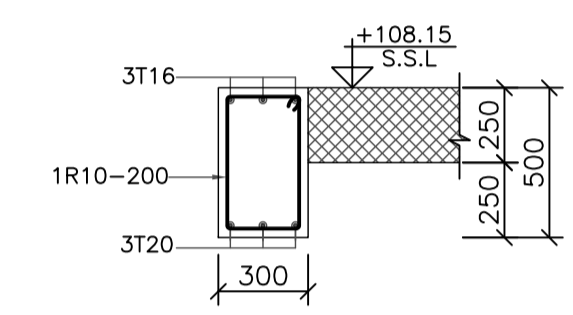
*: ADDITIONAL MAIN BARS FOR THE 500mm BEAM WEBS ARE SHOWN ON SECTIONS ONLY.



SECTION IN TR-B1
1:25



SECTION IN TR-B2
1:25



SECTION IN TR-B3
1:25

REV.	DATE	REMARKS
0	JUNE 2020	VOL. IV - TENDER DRAWINGS

NOTES:



PHASE III	AL KHANSA'A BASIC MIXED SCHOOL (AL BALQA)
PACKAGE 1	SCHOOLS FOR A KNOWLEDGE ECONOMY PROJECT (USAID SKEP)

DRAWING NAME: ROOF FLOORS BEAMS DETAILS (SHEET 4 OF 4)		
PLOT No 1343.1334	LOCATION AL KARAMA	BASIN NO 1 AL BALAD AL SHARQI

Design: A.A.	Drawn: CAD	Checked: I.KH.	North:
SCALE: 1:50 1:25	Date: JUNE 2020	Approved: W.Z.	
DRAWING NUMBER: SKEP 15-SSB514			Rev.: 0